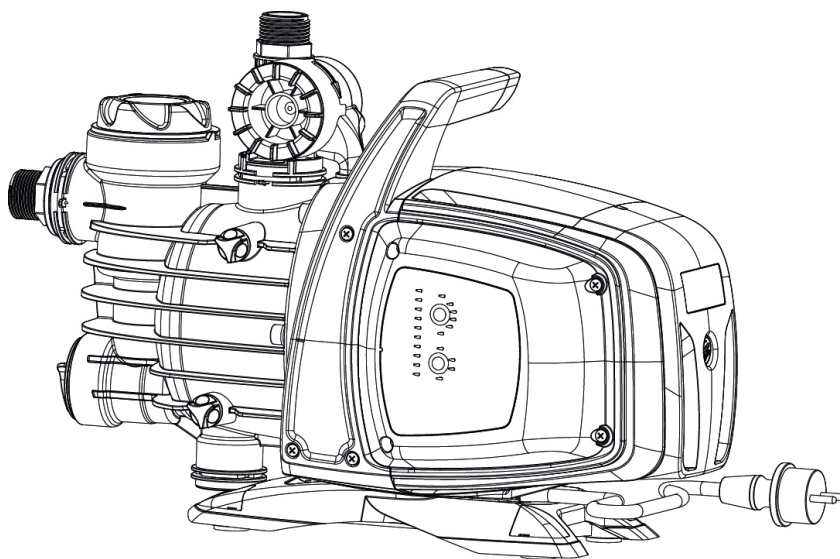
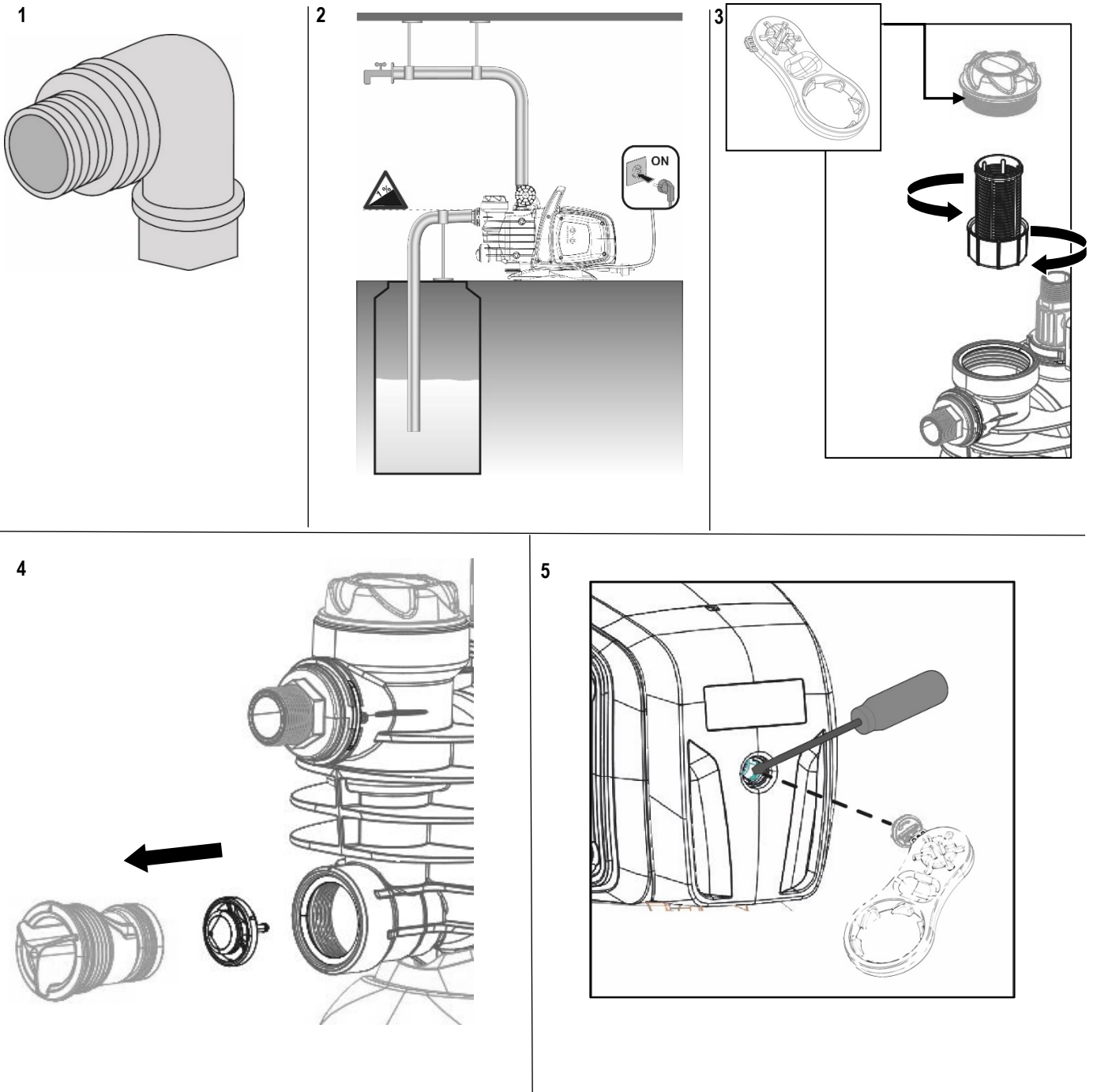

INSTRUCTIONS FOR INSTALLATION AND MAINTENANCE (GB)
ISTRUZIONI PER L'INSTALLAZIONE E LA MANUTENZIONE (IT)
INSTALLATIONS- UND WARTUNGSANLEITUNGEN (DE)
INSTRUCTIONS POUR L'INSTALLATION ET LA MAINTENANCE (FR)
INSTRUCCIONES DE INSTALACIÓN Y MANTENIMIENTO (ES)
ИНСТРУКЦИЯ ЗА ИНСТАЛИРАНЕ И ОБСЛУЖВАНЕ (BG)
NÁVOD K INSTALACI A ÚDRŽBĚ (CZ)
BRUGSANVISNING (DK)
ΟΔΗΓΙΕΣ ΓΙΑ ΤΗΝ ΕΓΚΑΤΑΣΤΑΣΗ ΚΑΙ ΤΗ ΣΥΝΤΗΡΗΣΗ (GR)
KASUTUS- JA HOOLDUSJUHEND (EE)
ASENNUS- JA HUOLTO-OHJEET (FI)
PRIRUČNIK S UPUTAMA (HR)
INSTALLÁCIÓS ÉS KARBANTARTÁSI KÉZIKÖNYV (HU)
MONTAVIMO IR TECHNINĖS PRIEŽIŪROS INSTRUKCIJOS (LT)
UZSTĀDĪŠANAS UN TEHNISKĀS APKOPES ROKASGRĀMATA (LV)
INSTRUCTIES VOOR INSTALLATIE EN ONDERHOUD (NL)
ANVISNINGER FOR INSTALLASJON OG VEDLIKEHOLD (NO)
INSTRUKCJA MONTAŻU I KONSERWACJI (PL)
INSTRUÇÃO PARA A INSTALAÇÃO (PT)
INSTRUCȚIUNI PENTRU INSTALARE ȘI ÎNTREȚINERE (RO)
ИНСТРУКЦИИ ПО МОНТАЖУ И ТЕХОБСЛУЖИВАНИЮ (RU)
POKYNY K INŠTALÁCII A ÚDRŽBE (SK)
NAVODILA ZA INŠTALACIJO IN VZDRŽEVANJE (SI)
UDHËZIME PËR INSTALIMIN E MIRËMBAJTJEN (AL)
UPUTSTVO ZA INSTALACIJU I ODRŽAVANJE (RS)
INSTALLATIONS- OCH UNDERHÅLLSANVISNINGV(SE)
KURMA VE BAKIM BİLGİLERİ (TR)
ИНСТРУКЦІЇ ЗІ ВСТАНОВЛЕННЯ ТА ТЕХНІЧНОГО ОБСЛУГОВУВАННЯ (UA)



ENGLISH	Page 2
ITALIANO	Pag. 10
DEUTSCH	Seite 18
FRANÇAIS	Page 26
ESPAÑOL	Pág. 34
БЪЛГАРСКИ	Стр. 42
ČESKY	strana 50
DANSK	side 58
ΕΛΛΗΝΙΚΑ	Σελ. 66
EESTI	Lk. 74
SUOMI	sivu 82
HRVATSKI	stranica 90
MAGYAR	Oldal 98
LIETUVIŲ	psl. 106
LATVIEŠU	lpp. 114
NEDERLANDS	bladz. 122
NORSK	Pag. 130
POLSKI	strona 138
PORTUGUÊS	pág 146
ROMÂNĂ	pag. 154
РУССКИЙ	Стр. 162
SLOVENSKY	Str. 170
SLOVENŠČINA	Str. 178
SHQIP	Pag. 186
SRPSKI	Str 194
SVENSKA	Sid. 202
TÜRKÇE	sf. 210
УКРАЇНСЬКА	стор. 218

Fig - Fig. - Abb.- Fig.- Fig.- Фиг.- Obr.- Fig.- Εικ. - Joonis - Kuva - Sl. - .ábra - Fig. - .att. - Afbeelding - Fig. - Rys.- Fig.- Fig. - Cхема –
Obrázok – Sl.- Fig. – Sl. - Fig. – Resim - Мал.



INDEX

1. APPLICATIONS	2
2. PUMPABLE LIQUIDS	3
3. TECHNICAL DATA AND LIMITATIONS OF USE	3
4. MANAGEMENT	3
4.1 Storage.....	3
4.2 Transport.....	3
4.3 Weight and dimensions.....	3
5. WARNINGS	3
6. INSTALLATION	4
7. ELECTRICAL CONNECTION	4
8. START-UP	4
9. ELECTRONIC CONTROL INTERFACE	4
9.1 Overview of the features.....	5
9.1.1 Description of the display:.....	5
9.2 Description of the functions.....	6
9.2.1 Pump ON/OFF (AUTO MODE, MANUAL MODE).....	6
9.2.2 Priming phase.....	7
9.2.3 Alarms reset.....	7
9.2.4 Power ON/OFF indicator.....	7
9.2.5 Pump On/off indicator.....	7
9.2.6 Alarms indication.....	7
9.2.7 Dry running protection.....	7
9.2.8 ANTI-LEAKAGE.....	7
9.2.9 Max pump on.....	7
9.2.10 Pressure sensor alarm.....	7
9.3 First start up.....	7
9.3.1 Test on LEDs.....	7
9.3.2 First priming.....	7
9.4 Normal operations with CUT-OUT disabled (factory setting).....	7
9.5 Normal operations with CUT-OUT enabled.....	8
10. PRECAUTIONS	8
11. MAINTENANCE AND CLEANING	8
11.1 Cleaning the suction filter.....	8
11.2 Cleaning the NRV.....	8
12. TROUBLESHOOTING	8
13. GUARANTEE	9

WARNINGS



Read all this documentation carefully before installation:



**Take out the plug before any intervention.
Absolutely avoid dry operations.**



Protect the electropump against inclement weather.



The pump is equipped with a thermal overload safety device. In the event of any overheating of the motor, this device automatically switches off the pump. The cooling time is roughly 15 to 20 minutes, then the pump automatically comes on again. If the overload cutout is tripped, it is essential to identify and deal with the cause of the overheating. See Troubleshooting.

1. APPLICATIONS

Self-priming centrifugal jet pumps with excellent suction capacity, even when gas is present in the water. Particularly indicated for water supply and pressure boosting in farmhouses. Suitable for small farming and gardening applications and for general hobby activity. Thanks to their compact and handy shape, they are also used for particular applications as portable pumps for emergency situations such as for drawing water from tanks or rivers.

In the case of a product with Wifi, consult the quick guide.



These pumps cannot be used in swimming pools, ponds or basins where people are present, or for pumping hydrocarbons (petrol, diesel fuel, combustible oils, solvents, etc.) in accordance with the accident-prevention regulations in force. They should be cleaned before putting them away. See the chapter “Maintenance and Cleaning”.

2. PUMPABLE LIQUIDS

Clean, free from solid bodies or abrasive substances, non-aggressive.

Fresh water	•
Rainwater (filtered)	•
Clear waste water	○
Dirty water	○
Fountain water (filtered)	•
River or lake water (filtered)	•
Drinking water	•

Table1

- Suitable
- Not suitable

3. TECHNICAL DATA AND LIMITATIONS OF USE

- **Supply voltage: 220-240V**, see electrical data plate
- **Delayed line fuses (220-240V version):** indicative values (Ampere)
- **Storage temperature:** -10°C +40°C

Model	Line fuses 220-240V 50Hz
P1= 850	4
P1= 1100	6
P1= 640	4
P1= 920	6

Table2

	Model	P1=850	P1=1100	P1=640	P1=920
Electrical data	P1 Rated absorbed power [W]	850	1100	640	920
	P2 [W]	600	750	380	560
	Mains voltage [V]	1~220-240 AC			
	Mains frequency [Hz]	50			
	Current [A]	3.88	4.58	3.10	4.20
	Capacitor [µF]	12.5	16	16	12.5
	Capacitor [Vc]	450			
Hydraulic data	Max. flow rate [l/h]	3180	3750	3600	4800
	Max. head [m]	43	45	32	40
	Max. head [bar]	4.3	4.5	3.2	4.0
	Max. pressure [bar]	6			
	Max suction depth [m/min]	8m / <3min		6m / <3min	
Range of use	Length of power cable [m]	1.5			
	Type of cable	H07 RNF			
	Grade of motor protection	IPX4			
	Insulation class	F			
	Liquid temperature range [°C] according to EN 60335-2-41 for domestic use	0°C / +35°C			
	Max. particle dimension [mm]	Clean water			
	Max. ambient temperature [°C]	+40°C			
Weight	DNM GAS	1" M			
	Net/Gross weight approx. [kg]	9.6/11.8	10.3/12.5	10.1/12.1	10.9/12.9

Table 3



The pump cannot support the weight of the pipes, which must be supported in some other way.

4. MANAGEMENT

4.1 Storage

All the pumps must be stored in a dry covered place, with possible constant air humidity, free from vibrations and dust. They are supplied in their original pack in which they must remain until the time of installation.

4.2 Transport

Avoid subjecting the products to needless impacts and collisions.

4.3 Weight and dimensions

The adhesive plate on the packaging indicates the total weight of the pump and its dimensions.

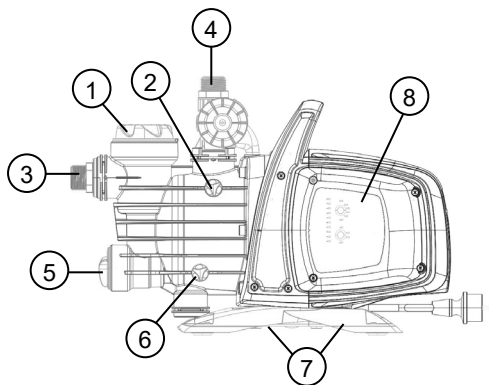
5. WARNINGS



The pumps must never be carried, lifted or allowed to operate suspended from the power cable; use the handle provided.

- The pump must never be allowed to run when dry.
- It is recommended to open/close the venting/drainage caps (2 and 6) without applying excessive force.

6. INSTALLATION



1. Pre-filter
2. Vent cap
3. Swivel suction connection
4. Delivery connection
5. Integrated non-return valve
6. Drainage cap
7. Vibration-damping rubber feet
8. Electronic control interface

The pump must be installed in a place protected from unfavorable weather conditions, and with an environment temperature not higher than 40°C. The pump is provided with vibration-damping rubber feet, but in the case of fixed installations it is possible to remove them and provide anchorage to the base (7). Do not allow the pipes to transmit excessive forces to the pump inlets (3) and (4), to avoid creating deformations or breakages.

It is always good practice to place the pump as close as possible to the liquid to be pumped. The pump must be installed only in horizontal position.

The pipes must never have an internal diameter smaller than that of the pump inlets; on intake, the pump is provided with a filter (1) and a non-return valve (NRV) (5).

For suction depths of over four metres or with long horizontal stretches it is advisable to use an intake hose with a diameter larger than that of the intake aperture of the pump. To prevent the formation of air pockets, the intake hose must slope slightly upwards towards the pump. Fig.2

If the suction pipe is made of rubber or flexible material, always check that it is of the reinforced vacuum-resistant type to avoid shrinkage due to suction.

In case of a fixed installation, it is recommended to fit a closing valve on both the suction side and the delivery side. This allows closure of the line upstream and/or downstream from the pump, useful for service and cleaning operations or for periods in which the pump is not in use.

The pump has a rotating inlet to facilitate installation (3) and (4).

In the case of flexible pipes, if necessary, use a bend fig. 1 and the gardening kit composed of a PE pipe and a kit of couplings with lance. These are not supplied, but can be bought separately. In the case of very small dirt, as well as the integrated filter (1), it is recommended to use a **pump inlet filter fitted on the suction pipe**.

- Do not subject the motor to excessive starts/hour; it is strongly recommended not to exceed 20 starts/hour.



The diameter of the suction pipe must be greater than or the same as the diameter of the pump inlet, see Table 3.

7. ELECTRICAL CONNECTION



Ensure that the mains voltage is the same as the value shown on the motor plate and that there is the possibility of making a good earth connection. **Follow the indications on the technical data plate and in this manual, table 3.**

The length of the power cable on the pump limits the installation distance, if an extension is required, make sure that it is of the same type (e.g. H05 RN-F or H07 RN-F depending on the installation) see tab. 3

8. START-UP



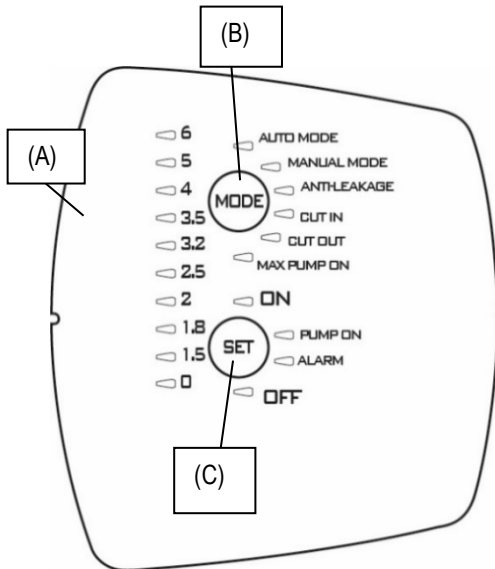
Do not start the pump without having completely filled it with liquid, about 4 litres, until it comes out of the air vent cap (2). If the water supply is finished, take the plug out of the socket immediately and switch off the pump. Avoid dry running.

1. Before starting, check that the pump is properly primed, filling it completely, with clean water, through the filling hole, after having removed the filling cap of the transparent filter (1), with your hands or with the appropriate tool provided. At the same time open the vent cap (2) to let out the air. This ensures that the mechanical seal is well lubricated and that the pump immediately starts to work regularly. **Dry operation causes irreparable damage to the mechanical seal.**
2. The filling cap must be screwed on accurately until it stops (1), as must the vent cap (2).
3. Insert the plug of the power cable in a 220-240V power socket. **Attention!** The pump motor will start immediately, the water will start to come out after a maximum time of 3 minutes, depending on the depth of the water level, in the well or cistern.
4. The pump will continue to work and supply water. **Attention!** Avoid dry running.
5. To switch off the pump, take the plug out of the power socket.



In case of problems with the priming, repeat the handling until all air in the suction is disappeared.

9. ELECTRONIC CONTROL INTERFACE



9.1 Overview of the features

Description	Parameters
Controller board voltage, frequency	1x220-240V, 50/60 Hz
Power on/off indicator	●
Motor on/off indicator	●
Alarms indicator	●
Pressure indicator	●
Mode indicator	●
Auto Mode	●
Manual Mode	○
Dry-running protection	●
Anti-leakage	○
Max pump on protection	○ (30 minutes)
Cut-in pressure	○ Variable (1.5 – 3.0bar)
Cut-out pressure	○ (Cut-in + 1 bar)
Auto priming	●
Selection buttons	●

● = Fixed; ○ = Selectable

9.1.1 Description of the display:

(A) Pressure indicator LEDs

10 LEDs are used for indicating pressure from 0 to 6 bar. When the pressure in the system changes, the LEDs light up and switch off accordingly.

Function	Display configuration	Set	Alarm Reset
Auto Mode		ON: Enabled OFF: Disabled	
Manual mode		ON: Enabled OFF: Disabled	
Anti-leakage		ON: Enabled OFF: Disabled	Press SET
Cut in		Increase/Decrease	
Cut out		Increase/Decrease OFF: disabled	
Max pump on		ON: enabled OFF: disabled	Press SET

(B) MODE selection button

Selectable modes:

- 1) AUTO_MODE;
- 2) MANUAL_MODE;
- 3) ANTI LEAKAGE;
- 4) CUT_IN;
- 5) CUT_OUT,
- 6) MAX_PUMP_ON;

To unlock the choice of function press "MODE" button for 5 seconds.

Press "**MODE**" to scroll through the various operating modes (AUTO_MODE or MANUAL_MODE) or parameters to be modified (CUT IN and CUT OUT) or to enable certain functions (ANTI-LEAKAGE and MAX PUMP ON). While scrolling through the modes, the LED of the function selected will flash. On returning to AUTO_MODE the active functions will be highlighted by the relative LED lighting up with a steady light. See paragraph 2 (Description of the functions).

Indicators on "MODE"

AUTO MODE: the pump will work in automatic mode see 9.2.1

MANUAL MODE: the pump works in manual mode see 9.2.1, and the user can decide when to switch it on or off by acting on the "**SET**" button. SET-ON switched On SET-OFF switched Off.

CUT-IN: pressure setting (always enabled) minimum pressure below which the pump is activated, can be set between 1.5 and 3.0 bar, factory setting 1.8 bar; the pump is activated even if the flow is less than a minimum value of 1.5 l/min, factory-setting.

CUT-OUT: pressure setting (disabled by default) above which the pump stops, the factory setting for "CUT-IN" + 1 bar (1 Led enlightened), but can be increased up to 3.5 bar (50.8 psi).

To enable it select the function by pressing "MODE" until the LED corresponding to CUT-OUT flashes then:

- 1) press SET **for 10 seconds** to unlock the function (*now the led lights on the pressure values are switched on*),
- 2) press SET to select the required value,
- 3) To disable the function, position the cut-out value on 0 [bar or psi].
- 4) exit the setting by pressing MODE.

Note: the CUT-OUT value can be changed ONLY after having unlocked the function by pressing SET for 10 seconds long. After 1 second without pressing any button, the function will automatically lock again.

ANTI-LEAKAGE: protection against leakage. The function can be enabled or disabled: the factory setting is disabled. When enabled, if the condition is such that the pump is started up more than 6 times in 2 minutes, it will be stopped and the error will be indicated by means of the red LED flashing slowly on "**ALARM**".

To enable it select the function by pressing "MODE" until the LED flashes then press SET until the "ON" LED is switched on. To disable it press SET until the LED switches on to indicate OFF.

Once the cause is removed, reset the alarm, if still present, see 9.2.3.

MAX PUMP ON: maximum period of operation. The function can be enabled or disabled. The factory setting is disabled. When enabled, if the condition is such that the pump operates for more than 30 minutes, it will be stopped, no error indication is displayed.

This function is used to protect the installation if a valve is left accidentally open, in the event of breakage of a pipe, or in applications for irrigation.

To enable it, select the function by pressing "MODE" until the LED corresponding to the MAX PUMP ON function is switched on, then press SET until the "ON" LED comes on. To disable it, press SET until the LED switches on to indicate OFF.

(C) SET selection button

Selectable modes:

- 1) Reset Alarms;
- 2) Enable/disable in MODE (MAX_PUMP_ON, ANTILEAKAGE)
- 3) Increases parameters in MODE (CUT_IN; CUT_OUT);
- 4) Motor ON/OFF in MANUAL MODE;
- 5) Pump active/pump in standby in AUTO MODE

Press "**SET**" to modify the parameters; if the LED is switched to MODE-CUT IN or MODE-CUT OUT, the value will be shown on the pressure indication LED bar. On pressing "**SET**" the value will increase. After setting the required value, exit the modification by pressing "**MODE**" and restore the LED to MODE-AUTO and SET "ON" enabled.

Press SET also to enable/disable the Anti-leakage and Max pump On functions. After selecting the function using the "MODE" button, enable it by selecting SET-ON, to disable it select SET-OFF.

In "MANUAL" mode, the SET is used to switch the pump on or off, LED "On" or "OFF".

In automatic mode AUTO-MODE it is used to turn it "ON" or in standby "OFF".

PUMP ON: indication that coincides with the motor running.

9.2 Description of the functions**9.2.1 Pump ON/OFF (AUTO MODE, MANUAL MODE)**

Cut out disabled → on inserting the plug after the test on the LEDs the pump switches on for 10 seconds.

Cut out enabled → after the plug is inserted, the test is conducted on the LEDs for the first 3 sec (LED 0 indicates that the power is always On) and the "**AUTO MODE**" is set as default with the indicator "**ON**". The pump will start working if the pressure is less than the CUT-IN value and the flow is less than the minimum cut-in flow. The pump will continue to operate as long as the pressure remains less than the CUT-OUT value, and will switch off when this value is reached, independently of the flow.

While, if the **"MANUAL MODE"** is selected, by pressing once the **"MODE"**, the pump will start up if the **"ON"** LED lights up, otherwise, if **"SET"** is pressed, the pump will switch itself off and the **"OFF"** LED will light up.

When the pump starts working, it will enter the PRIMING mode.

NOTE: Make sure the instructions for installation have been followed and that the pump is filled completely with water.

9.2.2 Priming phase

When the pump starts working, it will enter the priming mode, during this phase if there is no flow and pressure the motor will remain switched on for 3 minutes after which it will enter dry run alarm. But if flow and pressure are present during this phase, priming will be carried out and the pump will work normally.

9.2.3 Alarms reset

When there is an alarm, the red indicator on **"ALARM"** lights up. The alarm is reset by pressing **"SET"** once; if the cause of the alarm is eliminated, normal operation continues, otherwise the pump will return to alarm condition.

9.2.4 Power ON/OFF indicator

If power supply is present the pressure LED 0 on the LED bar lights up. If there is no power the LED remains switched off.

Note: for long shutdowns it is advisable to disconnect the plug from the power supply.

9.2.5 Pump On/off indicator

When the motor is running, a **"PUMP ON"** blue light must be On to indicate this status. When the motor stops, this LED switches off.

9.2.6 Alarms indication

A steady red light or button on **"ALARM"** is activated when an alarm is present.

Dry-running: steady red light

Leakage: slow pulse

Max Pump ON (pump running for more than 30 minutes): 2 quick flashes separated by a longer pause.

Press "SET" button to reset the alarms.

9.2.7 Dry running protection

If the pump is running dry, after a few seconds (40 sec.) it is stopped and an error indication appears with the steady red light on **"ALARM"**.

After the initial 30 min when the pump is OFF a new restart attempt is made lasting 5 min. If this attempt is not successful, another attempt will be made every 30 min, up to a maximum of 48 times. If all these attempts fail, an attempt will be made every 24 hours.

The device automatically comes out of the Dry-running alarm status if the flow and/or pressure is restored.

If the alarm is reset, see 9.2.3, a new attempt will be made after 40 sec.

Eliminate the causes and reset the alarm see 9.2.3.

9.2.8 ANTI-LEAKAGE

The function may be enabled or disabled. When enabled, if the condition is such that the pump is started up more than 6 times in 2 minutes, it will be stopped and the error will be indicated by means of the red LED flashing slowly on **"ALARM"**.

Eliminate the causes and reset the alarm see 9.2.3.

For the enabling procedure see Anti-leakage.

9.2.9 Max pump on

Maximum operating time. The function can be enabled or disabled. Factory setting is disabled. When enabled, if the condition is such that the pump works for more than 30 minutes, it will stop, and the ALARM light will flash.

This function is used to protect the installation if the valve is accidentally left open, in case of breakage of a pipe, or in applications for irrigation.

9.2.10 Pressure sensor alarm

The pressure sensor alarm of the device is activated if the pressure value is outside the operating range (0-15 bar). The pump is switched off, the error will be reset as soon as the pressure conditions return within the range.

9.3 First start up

9.3.1 Test on LEDs

When the device is started up the first time, or after the plug is inserted in the power socket, the Test is conducted on the 20 LEDs, for a few seconds during which all the LEDs will light up in sequence.

9.3.2 First priming

The pump will automatically be in **AUTO** mode set to **ON**.

There may be three possible behaviours:

- 1) Flow present but low pressure: exits the priming phase and starts normal operation.
- 2) Pressure present but no flow: after 10 sec. in this condition the pump will switch itself off.
- 3) No flow no pressure: the pump will switch itself off and the Dry-running error will be displayed after about 3. minutes, indicated by the red LED in SET-ALARM. Eliminate the cause and reset the alarm see 9.2.3.

9.4 Normal operations with CUT-OUT disabled (factory setting)

Cut-out disabled means the following behaviour is present:

- The pump is activated if there is flow or pressure is absent, pressure is less than CUT IN (in 10 ms).
- The pump is stopped if the pressure is present but Flow is absent continuously for 10 s.

The CUT OUT LED will be switched off during normal operation. To modify the setting see 9.1.1.B.

9.5 Normal operations with CUT-OUT enabled

Cut-out enabled means the following behaviour is present:

- The pump is activated if the pressure is less than the CUT IN pressure.
- The pump is stopped if the pressure is higher than the CUT OUT pressure.

The CUT OUT will be switched on during normal operation. To modify the setting see 9.1.1.B.

10. PRECAUTIONS

RISK OF FROST: when the pump remains inactive at a temperature lower than 0°C, it is necessary to ensure that there is no water residue which could freeze, causing cracks in the plastic parts.

If the pump has been used with substances that tend to form a deposit, or with water containing chlorine, rinse it after use with a powerful jet of water in order to avoid the formation of deposits or encrustations which would reduce the characteristics of the pump.

11. MAINTENANCE AND CLEANING

In normal operation the pump does not require any type of maintenance. In any case, all repair and maintenance work must be carried out only after having disconnected the pump from the supply mains. When restarting the pump, ensure that it has been correctly reassembled, so as not to create a risk for persons and property.

11.1 Cleaning the suction filter (Fig.3)

- Switch off the electric power supply to the pump.
- Drain the pump, opening the drainage cap (6), after having first closed the gate valves upstream (if present).
- Unscrew the cover of the filter chamber, with your hands or with the appropriate tool provided.
- Extract the filter unit from the top.
- Rinse the cup under running water and clean the filter with a soft brush.
- Reassemble the filter, performing the operations in inverse order.

11.2 Cleaning the NRV (Fig.4)

- Switch off the electric power supply to the pump.
- Remove the cap of the NRV (5) with the accessory provided.
- Remove the NRV check valve and clean it to remove any dirt.
- Assemble the parts, proceeding in inverse order to disassembly.

12. TROUBLESHOOTING



Before taking any troubleshooting action, disconnect the pump from the power supply (i.e. remove the plug from the socket). If there is any damage to the power cable or pump, any necessary repairs or replacements must be performed by the manufacturer or his authorized customer support service, or by an equally-qualified party, in order to prevent all risks.

FAULT	CHECKS (possible cause)	REMEDY
1. The motor does not start and makes no noise.	A. Check the electric connections. B. Check that the motor is live. C. Check the protection fuses. D. Possible intervention of thermal protection	C. If they are burnt-out, change them. D. Wait about 20 min until the motor cools. Check and eliminate the cause. N.B.: If the fault is repeated immediately this means that the motor is short circuiting.
2. The motor does not start but makes noise.	A. Ensure that the mains voltage is the same as the value on the plate. B. Look for possible blockages in the pump or motor. C. Check that the shaft is not blocked. D. Check the condition of the capacitor.	B. Remove the blockage C. Use the tool provided to release the shaft. D. Replace the capacitor
3. The motor turns with difficulty.	A. Check the voltage which may be insufficient. B. Check whether any moving parts are scraping against fixed parts.	B. Eliminate the cause of the scraping.
4. The pump does not deliver.	A. The pump has not been primed correctly. B. The diameter of the intake pipe is insufficient. C. NRV non-return valve or filter clogged.	A. Fill the pump with water and prime it, taking care to let air out by unscrewing the vent cap. B. Replace the pipe with one with a larger diameter. C. Clean the filter and, if this is not sufficient, the NRV.

ENGLISH

5. The pump does not prime.	A. Suction pipe is taking in air. B. The downward slope of the intake pipe favours the formation of air pockets.	A. Eliminate the phenomenon, checking that the connections and the suction pipe are airtight, and repeat the priming operation. B. Correct the inclination of the intake pipe.
6. The pump supplies insufficient flow.	A. The suction pipe is clogged. B. The impeller is worn or blocked. C. The diameter of the intake pipe is insufficient.	A. Clean the suction pipe. B. Remove the obstructions or replace the worn parts. C. Replace the pipe with one with a larger diameter.
7. The pump vibrates and operates noisily.	A. Check that the pump and the pipes are firmly anchored. B. There is cavitation in the pump, that is the demand for water is higher than it is able to pump. C. The pump is running above its plate characteristics.	A. Fix the loose parts more carefully. B. Reduce the intake height or check for load losses. C. It may be useful to limit the flow at delivery.

13. GUARANTEE



Any modification made without prior authorisation relieves the manufacturer of all responsibility. All the spare parts used in repairs must be authentic and all accessories must be authorised by the manufacturer, in order to ensure maximum safety of the machines and of the systems in which they may be installed.

This product is covered by a legal guarantee (in the European Community for 24 months from date of purchase) against all defects that can be assigned to manufacturing faults or to the material used.

The product under guarantee may, at discretion, either be replaced with one in perfect working order or replaced free of charge if the following conditions are observed:

- the product has been used correctly in compliance with the instructions and not attempt has been made to repair it by the buyer or by third parties.
- the product has been consigned to the outlet where it was purchased, attaching a document as proof of purchase (invoice or cash register receipt) and a brief description of the problem found.

The impeller and parts subject to wear are not covered by the guarantee. Intervention under guarantee does not extend the initial guarantee period in any way.

INDICE

1. APPLICAZIONI	10
2. LIQUIDI POMPABILI	11
3. DATI TECNICI E LIMITAZIONI D'USO	11
4. GESTIONE	11
4.1 Immagazzinaggio	11
4.2 Trasporto	11
4.3 Peso e dimensioni	11
5. AVVERTENZE	11
6. INSTALLAZIONE	12
7. ALLACCIAMENTO ELETTRICO	12
8. AVVIAMENTO	12
9. Interfaccia elettronica di gestione	13
9.1 Panoramica sulle caratteristiche	13
9.1.1 Descrizione del display:	13
9.2 Descrizione delle funzioni.....	15
9.2.1 Pompa ON/OFF (AUTO MODE, MANUAL MODE)	15
9.2.2 Fase di adescamento	15
9.2.3 Reset allarmi.....	15
9.2.4 Indicazione di tensione ON/OFF.....	15
9.2.5 Indicazione pompa On/off.....	15
9.2.6 Indicazione Allarmi.....	15
9.2.7 Protezione contro la Marcia a secco (Dry running protection)	15
9.2.8 Protezione contro le perdite (ANTI-LEAKAGE)	15
9.2.9 Max pump on	15
9.2.10 Allarme sensore di pressione.....	15
9.3 Primo avvio.....	15
9.3.1 Test sui Led	15
9.3.2 Primo adescamento.....	15
9.4 Normali operazioni con CUT-OUT disabilitato (di fabbrica).....	16
9.5 Normali operazioni con CUT-OUT abilitato	16
10. PRECAUZIONI	16
11. MANUTENZIONE E PULIZIA	16
11.1 Pulizia del filtro di aspirazione	16
11.2 Pulizia della NRV.....	16
12. RICERCA GUASTI	16
13. GARANZIA	17

AVVERTENZE



Prima di procedere all'installazione leggere attentamente tutta la documentazione:



Prima di ogni intervento staccare la spina. Evitare nel modo più assoluto il funzionamento a secco.



Proteggere l'elettropompa dalle intemperie



Protezione da sovraccarico. La pompa è dotata di un salvamotore termico. In caso di eventuale surriscaldamento del motore, il salvamotore spegne la pompa automaticamente. Il tempo di raffreddamento è di circa 15-20 min. dopo di che la pompa si riaccende automaticamente. Dopo l'intervento del salvamotore è assolutamente necessario ricercarne la causa ed eliminarla. Consultate Ricerca Guasti.

1. APPLICAZIONI

Pompe centrifughe autoadescanti a getto con ottima capacità di aspirazione anche in presenza di acqua gassata. Particolarmente indicata per alimentazione idrica e pressurizzazione di casolari. Idonee per piccola agricoltura di orti e giardinaggio, emergenze domestiche ed hobbistica in genere. Grazie alla forma compatta e maneggevole trovano anche particolari applicazioni come pompe portatili per casi di emergenza quali, prelievo d'acqua da serbatoi o fiumi.

In caso di prodotto provvisto di Wifi, consultare la quick guide.



Queste pompe non possono essere utilizzate in piscine, stagni, bacini con presenza di persone, e o per il pompaggio di idrocarburi (benzina, gasolio, oli combustibili, solventi, ecc.) secondo le norme antinfortunistiche vigenti in materia. Prima di riporle sarebbe buona norma prevedere una fase di pulizia. Vedi capitolo "Manutenzione e Pulizia".

2. LIQUIDI POMPABILI

Pulito, senza corpi solidi o abrasivi, non aggressivo.

Acque fresche	•	Tabella1
Acqua piovana (filtrata)	•	
Acque chiare di rifiuto	○	
Acque sporche	○	
Acqua di fontana (filtrata)	•	
Acqua di fiume o lago (filtrata)	•	
Acqua potabile	•	

- Adatto
- Non adatto

3. DATI TECNICI E LIMITAZIONI D'USO

- **Tensione di alimentazione: 220-240V**, vedi targhetta dati elettrici
- **Fusibili di linea ritardati (versione 220-240V)**: valori indicativi (Ampere)
- **Temperatura di magazzinaggio: -10°C +40°C**

Modello	Fusibili di linea 220-240V 50Hz	Tabella2
P1= 850	4	
P1= 1100	6	
P1= 640	4	
P1= 920	6	

	Modello	P1=850	P1=1100	P1=640	P1=920
Dati Elettrici	P1 Potenza assorbita Nominale [W]	850	1100	640	920
	P2 [W]	600	750	380	560
	Voltaggio di rete [V]	1~220-240 AC			
	Frequenza di rete [Hz]	50			
	Corrente [A]	3.88	4.58	3.10	4.20
	Condensatore [μ F]	12.5	16	16	12.5
	Condensatore [Vc]	450			
Dati Idraulici	Portata max. [l/h]	3180	3750	3600	4800
	Prevalenza max. [m]	43	45	32	40
	Prevalenza max. [bar]	4.3	4.5	3.2	4.0
	Max. Pressione [bar]	6			
	Max profondità di aspirazione [m/min]	8m / <3min		6m / <3min	
Campo d'impiego	Lungh. Cavo alimentazione [m]	1.5			
	Tipo cavo	H07 RNF			
	Grado di protezione	IP X4			
	Classe d'isolamento	F			
	Campo temperatura del liquido [°C] secondo EN 60335-2-41 per uso domestico	0 °C / +35 °C			
	Dimensione delle particelle max. [mm]	acqua pulita			
	Max. Temperatura ambiente [°C]	+40 °C			
Peso	DNM GAS	1" M			
	Peso Netto/Lordo ca. [kg]	9.6/11.8	10.3/12.5	10.1/12.1	10.9/12.9

Tabella 3



La pompa non può sorreggere il peso delle tubazioni il quale dev'essere sostenuto diversamente.

4. GESTIONE

4.1 Immagazzinaggio

Tutte le pompe devono essere immagazzinate in luogo coperto, asciutto e con umidità dell'aria possibilmente costante, privo di vibrazioni e polveri. Vengono fornite nel loro imballo originale nel quale devono rimanere fino al momento dell'installazione.

4.2 Trasporto

Evitare di sottoporre i prodotti ad inutili urti e collisioni.

4.3 Peso e dimensioni

La targhetta adesiva posta sull'imballo riporta l'indicazione del peso totale dell'elettropompa e delle sue dimensioni.

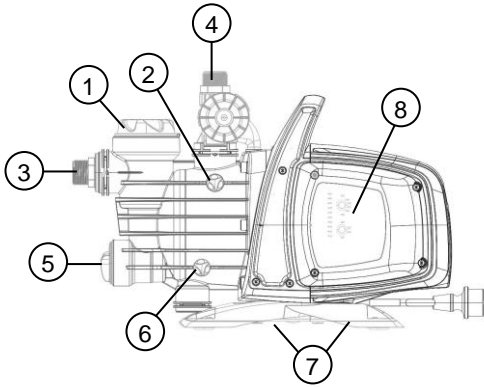
5. AVVERTENZE



Le pompe non devono mai essere trasportate, sollevate o fatte funzionare sospese facendo uso del cavo di alimentazione, utilizzare l'apposita maniglia.

- La pompa non deve mai essere fatta funzionare a secco.
- Si raccomanda di aprire/chiedere i tappi di sfiato/scarico (2 e 6) senza utilizzare eccessiva forza.

6. INSTALLAZIONE



1. Prefiltro
2. Tappo di sfiato
3. Connessione d'aspirazione orientabile
4. Connessione di mandata
5. Valvola di non ritorno integrata
6. Tappo di scarico
7. Piedini in gomma antivibranti
8. Interfaccia elettronica di gestione

L'elettropompa deve essere installata in un luogo, protetto dalle intemperie e con una temperatura ambiente non superiore a 40°C. La pompa è dotata di piedini antivibranti, ma nel caso di installazioni fisse è possibile rimuoverli e prevedere un ancoraggio alla base d'appoggio (7). Evitare che le tubazioni trasmettano sforzi eccessivi alle bocche della pompa (3) e (4), per non creare deformazioni o rotture.

È sempre buona norma posizionare la pompa il più vicino possibile al liquido da pompare.

La pompa deve essere installata esclusivamente in posizione orizzontale.

Le tubazioni non devono mai essere di diametro interno inferiore a quello delle bocche dell'elettropompa e in aspirazione, la pompa è dotata di filtro (1) e valvola di Non ritorno (NRV) (5).

Per profondità di aspirazione oltre i quattro metri o con notevoli percorsi in orizzontale, è consigliabile l'impiego di un tubo di aspirazione di diametro maggiore di quello della bocca aspirante dell'elettropompa. Per evitare il formarsi di sacche d'aria nel tubo di aspirazione, prevedere una leggera pendenza positiva del tubo di aspirazione verso l'elettropompa. Fig.2

Se la tubazione aspirante fosse in gomma o in materiale flessibile, controllare sempre che sia del tipo rinforzato resistente al vuoto per evitare restringimenti per effetto dell'aspirazione.

In caso di installazione fissa, si raccomanda di montare una valvola di chiusura sia sul lato aspirazione che sul lato mandata. Questo permette di chiudere la linea a monte e/o a valle della pompa utile per tutti gli interventi di manutenzione e pulizia o per i periodi in cui la pompa non viene usata.

La pompa è dotata di ingresso rotanti per facilitare l'installazione. (3) e (4)

Nel caso di tubi flessibili, se necessario, utilizzare una curva fig.1 e il kit di giardinaggio composto da tubazione in PE e kit raccordi con lancia, non forniti ma acquistabili separatamente.

In presenza di sporcizia di piccolissime dimensioni si consiglia di utilizzare, oltre al filtro integrato (1), un filtro ingresso pompa montato sul tubo di aspirazione.

- Non sottoporre il motore ad eccessivi avviamenti/ora, è strettamente consigliato non superare i 20 avviamenti/ora.



Il diametro del tubo aspirante deve essere maggiore o uguale al diametro della bocca dell'elettropompa, vedi Tabella 3.

7. ALLACCIAMENTO ELETTRICO



Assicurarsi che la tensione di rete corrisponda a quella di targa del motore da alimentare e che sia possibile eseguire un buon collegamento di terra **Attenersi alle indicazioni riportate in targhetta tecnica e in questo manuale tabella 3.**

La lunghezza del cavo di alimentazione presente sulla pompa limita la distanza d'installazione, nel caso si necessiti di una prolunga assicurarsi sia dello stesso tipo (es. H05 RN-F o H07 RN-F a seconda dell'installazione) vedi tab.3.

8. AVVIAMENTO



Non avviare la pompa senza averla totalmente riempita di liquido, circa 4 litri, fino a quando fuoriesce dal tappo di scarico aria (2).

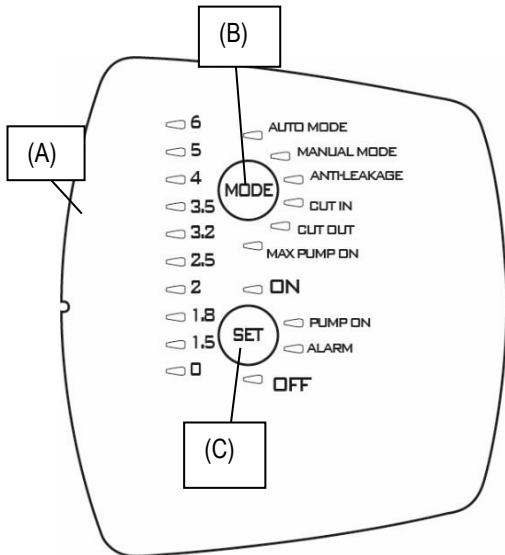
Nel caso si esaurisca la risorsa idrica, staccare immediatamente la spina, spegnendo la pompa. Evitare il funzionamento a secco.

1. Prima dell'avviamento controllare che la pompa sia regolarmente adescata, provvedendo al suo totale riempimento, con acqua pulita, attraverso l'apposito foro, dopo aver rimosso il tappo di carico del filtro trasparente (1), con le mani o con l'apposito strumento fornito in dotazione. Aprire nel contempo anche il tappo di sfiato (2) per far uscire l'aria. Questa operazione risulta fondamentale per il perfetto funzionamento della pompa, indispensabile perché la tenuta meccanica risulti ben lubrificata. **Il funzionamento a secco provoca danni irreparabili alla tenuta meccanica.**
2. Il tappo di carico dovrà poi essere riavvitato accuratamente fino allo stop (1), così come il tappo di sfiato (2).
3. Inserire la spina del cavo di alimentazione in una presa di corrente a 220-240V. **Attenzione!** Il motore della pompa si avvierà immediatamente, l'acqua inizierà ad uscire dopo un tempo massimo di 3 minuti, che dipenderà dalla profondità del livello dell'acqua, nel pozzo o cisterna.
4. La pompa continuerà a funzionare ed erogare acqua. **Attenzione!** Prevenire il funzionamento a secco.
5. Per spegnere la pompa staccare la spina del cavo di alimentazione.



In caso di problemi di adescamento, ripetere l'operazione fino a quando tutta l'aria nell'aspirazione viene completamente eliminata.

9. INTERFACCIA ELETTRONICA DI GESTIONE



9.1 Panoramica sulle caratteristiche

Descrizione	Parametri
Tensione, frequenza scheda	1x220-240V, 50/60 Hz
Indicazione tensione on/off	●
Indicazione motore on/off	●
Indicazione Allarmi	●
Indicazione Pressione	●
Indicazione Mode	●
Auto Mode	●
Manual Mode	○
Protezione contro Marcia a secco	●
Protezione contro perdite	○
Protezione Max pump on	○ (30 minuti)
Pressione Cut-in	○ Variabile (1,5 – 3,0bar)
Pressione Cut-out	○ (Cut-in + 1 bar)
Auto adescamento	●
Pulsanti selezione	●

● = Fissato; ○ = Selezionabile

9.1.1 Descrizione del display:

(A) Indicatori a led di pressione

Vengono utilizzati 10 Led come indicazione della pressione da 0 fino a 6 bar. Quando nel sistema la pressione cambia i led si accenderanno o spegneranno di conseguenza.

Funzione	Configurazione display	Set	Reset Alarm
Auto Mode		ON: Abilita OFF: Disabilita	
Manual mode		ON: Abilita OFF: Disabilita	
Anti-leakage		ON: Abilitato OFF: Disabilitato	Premere SET
Cut in		Incrementa/Decrementa	
Cut out		Incrementa/Decrementa OFF: disabilitato	
Max pump on		ON: abilitato OFF: disabilitato	Premere SET

(B) Pulsante di selezione MODE

Modalità selezionabili:

- | | |
|-------------------|----------------|
| 1) AUTO_MODE; | 4) CUT_IN; |
| 2) MANUAL_MODE; | 5) CUT_OUT; |
| 3) ANTI LEACKAGE; | 6) MAX_PUMP_ON |

Per sbloccare la scelta delle funzionalità su “MODE” premere il tasto “MODE” per 5 secondi.

Premere “MODE” per scorrere le diverse modalità di funzionamento (AUTO_MODE o MANUAL_MODE) o parametri da modificare (CUT IN e CUT OUT) o per abilitare alcune funzionalità (ANTI-LEAKAGE e MAX PUMP ON). Durante lo scorrimento il led della funzione scelta sarà lampeggiante. Una volta ritornati in AUTO_MODE le funzioni attive verranno evidenziate con il rispettivo Led acceso fisso. Vedi paragrafo 2 (Descrizione delle funzioni).

Indicatori su “MODE”

AUTO MODE: la pompa funzionerà in modalità automatica vedi 9.2.1

MANUAL MODE: la pompa funziona in modalità manuale vedi 9.2.1, è l'utente a decidere quando accenderla e spegnerla agendo sul pulsante “SET”. SET-ON accesa SET-OFF spenta.

CUT-IN: impostazione di pressione (sempre abilitato) minima pressione al di sotto della quale la pompa si attiva, impostabile tra 1.5 e 3.0 bar, di fabbrica 1.8 bar; la pompa si attiva anche se il flusso è inferiore ad un valore minimo 1.5 l/min impostato di fabbrica.

CUT-OUT: impostazione di pressione (disabilitato) pressione sopra la quale la pompa si arresta, di fabbrica impostato a “CUT-IN” + 1 Led, ma è aumentabile fino a 3.5 bar (50.8 psi).

Per abilitarla selezionare la funzione premendo “MODE” fino a quando il led corrispondente a CUT-OUT risulterà lampeggiante dopodiché:

- 1) premere SET **per 10 secondi** per abilitare la funzione (a questo punto si saranno accese le luci LED sui valori di pressione),
- 2) premere SET per selezionare il valore desiderato,
- 3) per disabilitare la funzione, posizionare il valore di Cut-Out su 0 [bar o psi].
- 4) uscire dall'impostazione premendo MODE.

NOTA: il valore di CUT-OUT può essere modificato SOLO dopo aver sbloccato la funzione premendo il tasto SET per 10 secondi. Dopo 1 secondo senza aver premuto alcun pulsante, la funzione si bloccherà di nuovo.

ANTI-LEAKAGE: protezione contro le perdite. La funzione può essere abilitata o disabilitata. Di fabbrica è disabilitata. Quando abilitata, se si verifica la condizione che la pompa si avvia per più di 6 volte in 2 minuti, questa verrà fermata e indicato l'errore attraverso il LED rosso lampeggiante lentamente su “ALARM”.

Per abilitarla selezionare la funzione premendo “MODE” fino a quando il led corrispondente risulterà lampeggiante dopodiché' premere SET fino a quando il led “ON” risulterà acceso. Per disabilitare premere SET fino a quando la luce accesa indicherà OFF.

Una volta eliminata la causa, resettare l'allarme, se ancora presente, vedi 9.2.3.

MAX PUMP ON: massimo periodo di funzionamento. La funzione può essere abilitata o disabilitata. Di fabbrica è disabilitata. Quando abilitata, se si verifica la condizione che la pompa funziona per più di 30 minuti, questa verrà fermata, nessuna indicazione di errore apparirà.

Questa funzione è utilizzata per proteggere l'installazione nel caso di accidentale dimenticanza di rubinetto aperto, nel caso di rottura di una tubazione, o in applicazioni per irrigazione.

Per abilitarla selezionare la funzione premendo “MODE” fino a quando il led corrispondente alla funzione MAX PUMP ON risulterà acceso dopodiché' premere SET fino a quando il led “ON” risulterà acceso. Per disabilitare premere SET fino a quando la luce accesa indicherà OFF.

(C) Pulsante di selezione SET

Modalità selezionabili:

- 1) Reset Allarmi;
- 2) Abilita/disabilita in MODE (MAX_PUMP_ON, ANTILEACKAGE)
- 3) Incrementa parametri in MODE (CUT_IN; CUT_OUT);
- 4) Motore ON/OFF in MANUAL MODE;
- 5) Pompa attiva/pompa in standby in AUTO MODE

Premere “SET” per modificare i parametri, nel caso il led sia acceso su MODE-CUT IN o MODE-CUT OUT, il valore verrà mostrato sulla barra a led di indicazione della pressione. Premendo “SET” il valore verrà incrementato. Dopo aver settato il valore desiderato uscire dalla modifica premendo “MODE” e riportando il led su MODE-AUTO e SET “ON” abilitato.

Premere SET anche per abilitare/disabilitare le funzioni Anti-leakage e Max pump On. Dopo aver selezionato la funzione con il tasto “MODE” abilitarla selezionando SET-ON, per disabilitarla selezionare SET-OFF.

In modalità “MANUAL” il tasto SET servirà per accendere o spegnere la pompa, led acceso su “On” oppure “OFF”.

In modalità automatica AUTO-MODE servirà per abilitare “ON” o mettere in standby “OFF”.

PUMP ON: indicazione che coincide con motore funzionante.

9.2 Descrizione delle funzioni

9.2.1 Pompa ON/OFF (AUTO MODE, MANUAL MODE)

Cut out disabilitato → all'inserimento della spina dopo il test sui led la pompa si accende per 10 secondi.

Cut out abilitato → Dopo che è stata inserita la spina viene fatto il test sui led per i primi 3 sec (l'accensione del led 0 indica sempre presenza di tensione) e viene settata di default la modalità "AUTO MODE" con accensione della spia "ON". La pompa inizierà a funzionare se la pressione sarà inferiore al valore di CUT-IN e il flusso inferiore al minimo flusso di cut-in. La pompa rimarrà in funzione fino a quando la pressione sarà inferiore al valore di CUT-OUT, raggiunto il quale si spegnerà indipendentemente dal flusso.

Se viene invece selezionata la modalità "MANUAL MODE", premendo una volta il tasto "MODE", la pompa si avvierà se il Led "ON" sarà acceso, altrimenti premendo "SET", la pompa si spegnerà e si accenderà il led "OFF".

Quando la pompa inizierà a funzionare entrerà nella modalità ADESCAMENTO.

Nb Assicurarsi di aver seguito le istruzioni per l'installazione e che la pompa sia stata completamente riempita con acqua.

9.2.2 Fase di adescamento

Quando la pompa inizia a funzionare, entrerà nella modalità di adescamento, durante questa fase se non rileva flusso e pressione manterrà il motore acceso per 3 minuti dopodiché entrerà in allarme di funzionamento a secco. Se invece in questo intervallo di tempo rileverà flusso o pressione, sarà stato effettuato l'adescamento e la pompa funzionerà normalmente.

9.2.3 Reset allarmi

Quando si presenta un allarme si accenderà la spia rossa su "ALARM". L'allarme viene resettato premendo una volta il tasto "SET", se la causa che l'ha generato è stata eliminata si prosegue col normale funzionamento, altrimenti la pompa rientrerà in allarme.

9.2.4 Indicazione di tensione ON/OFF

Se c'è tensione il Led pressione 0 sulla barra Led sarà acceso. Se non c'è tensione questo Led sarà spento.

Nb per lunghi periodi di inattività si consiglia di togliere tensione staccando la spina.

9.2.5 Indicazione pompa On/off

Quando il motore sta funzionando, una luce blu su "PUMP ON" deve essere accesa per indicare il funzionamento. Quando il motore si ferma questo Led sarà spento.

9.2.6 Indicazione Allarmi

Una luce rossa fissa o pulsante su "ALARM" viene attivata quando un allarme è presente.

Funzionamento a secco (Dry-running): luce rossa fissa

Perdita (Leakage): pulsazione lenta.

Max Pump ON (pompa funzionante per più di 30 minuti): 2 lampeggi veloci intervallati da una pausa più lunga.

Premere "SET" per resettare gli allarmi.

9.2.7 Protezione contro la Marcia a secco (Dry running protection)

Se la pompa sta funzionando a secco, dopo qualche secondo (40 sec.) viene fermata e si presenta una indicazione di errore con spia luce rossa fissa su "ALARM".

Dopo un primo periodo di 30 min. in cui la pompa è in stato OFF viene fatto un nuovo tentativo di ripartenza della durata di 5 min. Se anche questo non andrà a buon fine un nuovo tentativo verrà fatto ogni 30 min., fino a un massimo di 48 volte. Se tutti questi tentativi falliscono ne verrà fatto uno ogni 24 ore.

Il dispositivo esce automaticamente dall'allarme di Marcia a secco se si presenta flusso e/o pressione.

Se l'allarme viene resettato, vedi 9.2.3, un nuovo tentativo verrà effettuato per 40 sec.

Eliminare le cause e resettare l'allarme vedi 9.2.3.

9.2.8 Protezione contro le perdite (ANTI-LEAKAGE)

La funzione può essere abilitata o disabilitata, di fabbrica viene settata su disabilitata. Quando abilitata, se si verifica la condizione che la pompa si avvia per più di 6 volte in 2 minuti, questa verrà fermata e indicato l'errore attraverso il LED rosso lampeggiante lentamente su "ALARM".

Eliminare le cause e resettare l'allarme vedi 9.2.3.

Per la procedura di abilitazione vedi Anti-leakage.

9.2.9 Max pump on

Massimo periodo di funzionamento. La funzione può essere abilitata o disabilitata. Di fabbrica viene disabilitata. Quando abilitata, se si verifica la condizione che la pompa funziona per più di 30 minuti, questa verrà fermata, si presenterà un lampeggio su ALARM.

Questa funzione è utilizzata per proteggere l'installazione nel caso di accidentale dimenticanza di rubinetto aperto, nel caso di rottura di una tubazione, o in applicazioni per irrigazione.

9.2.10 Allarme sensore di pressione

Il dispositivo entra in allarme sensore di pressione se il valore di pressione è al di fuori del range operativo (0-15 bar). La pompa viene spenta, l'errore verrà resettato non appena le condizioni di pressione rientreranno nel range.

9.3 Primo avvio

9.3.1 Test sui Led

Al primo avvio o comunque dopo aver inserito la spina di corrente viene fatto il Test sui 20 LED, di qualche secondo durante il quale tutti i Led verranno accesi in sequenza.

9.3.2 Primo adescamento

La pompa sarà automaticamente in modalità AUTO mode e settata su ON.

Posso avere tre comportamenti:

- 1) Flusso presente ma bassa pressione: esce dalla fase adescamento e inizia il normale funzionamento.

- 2) Pressione ma non flusso: dopo 10 sec. in cui permane questa condizione la pompa si spegnerà.
- 3) Nessun flusso né pressione: la pompa si spegnerà e comparirà un errore di Marcia a secco, dopo circa 3 minuti, segnalato con led rosso acceso in SET-ALARM. Eliminarne la causa e resettare l'allarme vedi 9.2.3.

9.4 Normali operazioni con CUT-OUT disabilitato (di fabbrica)

Cut-out disabilitato significa che abbiamo i seguenti comportamenti:

- La pompa viene attivata se c'è flusso o per assenza di pressione, pressione inferiore al CUT IN (in 10 ms).
- La pompa viene arrestata se sussiste la condizione di pressione presente ma Flusso assente continuamente per 10 s.

Il led CUT OUT apparirà spento durante il normale funzionamento. Per la modifica dell'impostazione vedere 9.1.1.B.

9.5 Normali operazioni con CUT-OUT abilitato

Cut-out abilitato significa che abbiamo i seguenti comportamenti:

- La pompa viene attivata se la pressione è inferiore alla pressione di CUT IN.
- La pompa viene arrestata se la pressione è superiore alla pressione di CUT OUT.

Il led CUT OUT apparirà acceso durante il normale funzionamento. Per la modifica dell'impostazione vedere 9.1.1.B.

10. PRECAUZIONI

PERICOLO DI GELO: quando la pompa rimane inattiva a temperatura inferiore a 0°C, è necessario assicurarsi che non ci siano residui d'acqua che ghiacciando possano creare incrinature delle parti plastiche.

Se la pompa è stata utilizzata con sostanze che tendono a depositarsi, o con acqua clorata risciacquare dopo l'uso, con un potente getto d'acqua in modo da evitare il formarsi di depositi od incrostazioni che tenderebbero a ridurre le caratteristiche della pompa.

11. MANUTENZIONE E PULIZIA

L'elettropompa nel funzionamento normale non richiede alcun tipo di manutenzione. In ogni caso tutti gli interventi di riparazione e manutenzione si devono effettuare solo dopo aver scollegato la pompa dalla rete di alimentazione. Quando si fa ripartire la pompa, assicurarsi che sia stata rimontata a regola d'arte, per non creare pericolo a cose e persone.

11.1 Pulizia del filtro di aspirazione (Fig.3)

- Disinserire l'alimentazione elettrica della pompa.
- Far drenare la pompa, aprendo il tappo di scarico (6), avendo prima chiuso le saracinesche a monte (se presenti).
- Svitare il coperchio della camera del filtro, con le mani o con l'apposito accessorio in dotazione.
- Estrarre dall'alto l'unità di filtro.
- Sciacquare il bicchiere sotto l'acqua corrente e pulire il filtro con una spazzola morbida.
- Rimontare il filtro eseguendo le operazioni in senso inverso.

11.2 Pulizia della NRV (Fig.4)

- Disinserire l'alimentazione elettrica della pompa.
- Rimuovere il tappo della NRV (5) con l'accessorio fornito in dotazione.
- Togliere la valvola di ritegno NRV e pulirla da eventuale sporcizia.
- Assemblare le parti in senso opposto alla sequenza di smontaggio.

12. RICERCA GUASTI



Prima di iniziare la ricerca guasti è necessario interrompere il collegamento elettrico della pompa (togliere la spina dalla presa). Se il cavo di alimentazione o la pompa in qualsiasi sua parte elettrica è danneggiata l'intervento di riparazione o sostituzione deve essere eseguito dal Costruttore o dal suo servizio di assistenza tecnica o da una persona con qualifica equivalente in modo da prevenire ogni rischio.

INCONVENIENTI	VERIFICHE (possibili cause)	RIMEDI
1. Il motore non parte e non genera rumori.	A. Verificare le connessioni elettriche. B. Verificare che il motore sia sotto tensione. C. Verificare i fusibili di protezione. D. Possibile intervento protezione termica	C. Se bruciati sostituirli. D. Attendere ca 20 min affinché ci sia il raffreddamento del motore. Verificare la causa che l'ha determinato ed eliminarla. N.B.: l'eventuale immediato ripetersi del guasto significa che il motore è in corto circuito.
2. Il motore non parte ma genera rumori.	A. Assicurarsi che la tensione di rete corrisponda a quella di targa. B. Ricercare possibili ostruzioni della pompa o del motore. C. Verificare che l'albero non sia bloccato. D. Verificare lo stato del condensatore.	B. Rimuovere le ostruzioni. C. Agire con lo strumento in dotazione per svitare il coperchietto e con un cacciavite sbloccare l'albero. D. Sostituire il condensatore.

3. Il motore gira con difficoltà.	A. Assicurarsi che la tensione di alimentazione non sia insufficiente. B. Verificare possibili raschiamenti tra parti mobili e fisse.	B. Provvedere ad eliminare le cause del raschiamento.
4. La pompa non eroga.	A. La pompa non è stata adescata correttamente. B. Tubo di aspirazione con diametro insufficiente. C. Valvola di non ritorno NRV o filtro ostruiti.	A. Riempire d'acqua la pompa, ed effettuare l'adescamento, prestando attenzione a far uscire l'aria svitando il tappo di sfiato. B. Sostituire il tubo con uno di diametro maggiore. C. Ripulire il filtro e nel caso non sia sufficiente la NRV.
5. La pompa non adesca.	A. Aspirazione d'aria attraverso il tubo di aspirazione. B. La pendenza negativa del tubo di aspirazione favorisce la formazione di sacche d'aria.	A. Eliminare il fenomeno, controllando la tenuta delle connessioni e la tubazione di aspirazione, e ripetere l'operazione di adescamento. B. Correggere l'inclinazione del tubo di aspirazione.
6. La pompa eroga una portata insufficiente.	A. Il tubo di aspirazione è ostruito. B. La girante è usurata o ostruita. C. Tubazione di aspirazione con diametro insufficiente.	A. Ripulire il tubo di aspirazione. B. Rimuovere le ostruzioni o sostituire i particolari usurati. C. Sostituire la tubazione con una di diametro maggiore.
7. La pompa vibra con funzionamento rumoroso.	A. Verificare che la pompa e le tubazioni siano ben fissate. B. La pompa cava, cioè ha una richiesta di acqua superiore a quella che riesce a pompare. C. La pompa lavora oltre i dati di targa.	A. Fissare con maggiore cura le parti allentate. B. Ridurre l'altezza di aspirazione o controllare le perdite di carico. C. Può essere utile limitare la portata in mandata.

13. GARANZIA



Qualsiasi modifica non autorizzata preventivamente, solleva il costruttore da ogni tipo di responsabilità. Tutti i pezzi di ricambio utilizzati nelle riparazioni devono essere originali e tutti gli accessori devono essere autorizzati dal costruttore, in modo da poter garantire la massima sicurezza delle macchine e degli impianti su cui queste possono essere montate.

Questo prodotto è coperto da garanzia legale (nella Comunità Europea per 24 mesi a partire dalla data di acquisto) relativamente a tutti i difetti imputabili a vizi di fabbricazione o di materiale impiegato.

Il prodotto in garanzia potrà essere, a discrezione, o sostituito con uno in perfetto stato di funzionamento o riparato gratuitamente qualora vengano osservate le seguenti condizioni:

- il prodotto sia stato adoperato in modo corretto e conforme alle istruzioni e nessun tentativo di riparazione sia stato eseguito dall'acquirente o da terzi.
- il prodotto sia stato consegnato nel punto vendita di acquisto, allegando il documento che attesta l'acquisto (fattura o scontrino fiscale) e una breve descrizione del problema riscontrato.

La girante e le parti soggette a usura, non rientrano nella garanzia. L'intervento in garanzia non estende in nessun caso il periodo iniziale.

INHALT

1. ANWENDUNGEN	18
2. PUMPBARE FLÜSSIGKEITEN	19
3. TECHNISCHE DATEN UND EINSCHRÄNKUNGEN	19
4. HANDHABUNG	19
4.1 Lagerung	19
4.2 Transport	19
4.3 Gewicht und Abmessungen	19
5. HINWEISE	19
6. INSTALLATION	20
7. ELEKTROANSCHLUSS	20
8. EINSCHALTEN	20
9. Elektronische Management-Schnittstelle	21
9.1 Zusammenfassung der Merkmale	21
9.1.1 Display-Beschreibung:	21
9.2 Beschreibung der Funktionen	23
9.2.1 Pumpe ON/OFF (AUTO MODE, MANUAL MODE)	23
9.2.2 Ansaugphase	23
9.2.3 Reset der Alarme	23
9.2.4 Anzeige für Spannung ON/OFF	23
9.2.5 Anzeige für Pumpe ON/OFF	23
9.2.6 Alarmanzeige	23
9.2.7 Schutz gegen Trockenlauf (Dry Running Protection)	23
9.2.8 Schutz gegen Leckage (ANTI-LEAKAGE)	23
9.2.9 Maximale Betriebszeit	23
9.2.10 Alarm des Drucksensors	23
9.3 Erstes Anlassen	23
9.3.1 Test der LEDs	23
9.3.2 Erstes Wasseransaugen	24
9.4 Normaler Betrieb bei deaktiviertem CUT-OUT (Werkseinstellung)	24
9.5 Normaler Betrieb bei aktiviertem CUT-OUT	24
10. VORSICHTSMASSNAHMEN	24
11. WARTUNG UND REINIGUNG	24
11.1 Reinigung des Ansaugfilters	24
11.2 Reinigung des Rückschlagventils	24
12. STÖRUNGSSUCHE	24
13. GARANTIE	25

HINWEISE



Vor der Installation müssen sämtliche Unterlagen sorgfältig gelesen werden:



Vor jeder Arbeit am Gerät den Netzstecker ziehen. Ein Trockenlauf der Pumpe ist unbedingt zu vermeiden.



Die Pumpe gegen Witterungseinflüsse schützen.



Überlastschutz. Die Pumpe verfügt über einen Motorschutzschalter. Bei einer eventuellen Überhitzung des Motors schaltet der Motorschutzschalter die Pumpe automatisch aus. Nach einer Abkühlzeit von zirka 15-20 Minuten läuft die Pumpe automatisch wieder an. Nach Auslösen des Motorschutzschalters muss unbedingt nach der Ursache gesucht und diese beseitigt werden. Siehe Kapitel „Fehlersuche“.

1. ANWENDUNGEN

Selbstansaugende Kreiselpumpen mit ausgezeichneter Ansaugleistung, auch bei Luft in der Ansaugleitung. Besonders geeignet für die Wasserversorgung und Druckerhöhung in abgelegenen Häusern. Praktisch für die kleine Landwirtschaft, Gemüseplantagen und Gärten, Nottfälle im Haushalt und ähnliche Anwendungen. Dank ihrer kompakten, handlichen Form wird dieser Pumpentyp auch als tragbare Pumpe für Nottfälle eingesetzt, wie zum Beispiel zur Wasserentnahme aus Tanks oder Gewässern.

Bei Produkten mit Wi-Fi die Kurzanleitung konsultieren.



Gemäß der einschlägigen Unfallschutzvorschriften dürfen diese Pumpen nicht in Schwimmbecken, Teichen, Wasserbecken eingesetzt werden, in denen sich Personen aufhalten, und auch nicht zum Pumpen von Kohlenwasserstoffen (Benzin, Gasölen, Heizölen, Lösemittel, usw.). Vor dem erneuten Einlagern muss das Gerät gereinigt werden. Siehe Kapitel „Wartung und Reinigung“.

2. PUMPBARE FLÜSSIGKEITEN

SAUBER, OHNE FEST- ODER SCHLEIFKÖRPER, NICHT AGGRESSIV.

Frischwasser	•
Regenwasser (filtriert)	•
Klares Abwasser	○
Schmutzwasser	○
Brunnenwasser (filtriert)	•
Wasser aus Flüssen und Seen (filtriert)	•
Trinkwasser	•

Tabelle 1

- Geeignet
- Nicht geeignet

3. TECHNISCHE DATEN UND EINSCHRÄNKUNGEN

- **Versorgungsspannung: 220-240V**, siehe Schild der elektrischen Daten
- **Träge Schmelzsicherungen (Version 220-240V):** hinweisende Werte (Ampere)
- **Lagertemperatur: -10°C +40°C**

Modell	Schmelzsicherungen 220-240V 50Hz
P1=850	4
P1=1100	6
P1=640	4
P1=920	6

Tabelle 2

	Modell	P1=850	P1 =1100	P1=640	P1=920
Elektrische Daten	P1 Nominale Leistungsaufnahme [W]	850	1100	640	920
	P2 [W]	600	750	380	560
	Netzspannung [V]	1~220-240 AC			
	Netzfrequenz [Hz]	50			
	Strom [A]	3.88	4.58	03:10	04:20
	Kondensator [µF]	12.5	16	16	12.5
	Kondensator [VC]	450			
Hydraulikdaten	Max. Fördermenge [l/h]	3180	3750	3600	4800
	Max. Förderhöhe [m]	43	45	32	40
	Max. Förderhöhe [bar]	4.3	4.5	3.2	4.0
	Max. Druck [bar]	6			
	Max. Ansaugtiefe [m/min]	8m / <3min		6m / < 3min	
Anwendungsgebiet	Länge Stromkabel [m]	1.5			
	Kabeltyp	H07 RNF			
	Schutzgrad	IP X4			
	Isolierklasse	F			
	Temperaturbereich des Fördermediums [°C] gemäß EN 60335-2-41 für den Hausgebrauch	0 °C / +35 °C			
	Max. Größe der Partikel [mm]	Sauberes Wasser			
	Max. Umgebungstemperatur [°C]	+40 °C			
Gewicht	DNM GAS	1" M			
	Netto-/Bruttogewicht ca. [kg]	9.6/11.8	10.3/12.5	10.1/12.1	10.9/12.9

Tabelle 3



Die Pumpe kann das Gewicht der Rohre nicht tragen, die folglich auf andere Weise abgestützt werden müssen.

4. HANDHABUNG

4.1 Lagerung

Alle Pumpen müssen an einem überdachten, trockenen, staub- und vibrationsfreien Ort mit möglichst konstanter Luftfeuchtigkeit gelagert werden. Sie werden in ihrer Originalverpackung geliefert, in der sie bis zum Augenblick der Installation verbleiben müssen.

4.2 Transport

Unnötige Schlägeinwirkungen und Kollisionen vermeiden.

4.3 Gewicht und Abmessungen

Dem Klebeetikett auf der Verpackung kann das Gesamtgewicht und die Größe der Elektropumpe entnommen werden.

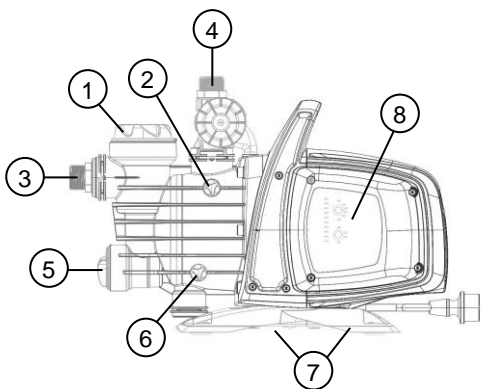
5. HINWEISE



Pumpen dürfen nie am Stromkabel hängend gezogen, gehoben oder betrieben werden. Dazu den speziellen Griff verwenden.

- Die Pumpe darf niemals trocken laufen.
- Die Füll- und Entlüftungsdeckel (2 und 6) müssen ohne übermäßige Kraftanwendung geöffnet und geschlossen werden.

6. INSTALLATION



1. Vorfilter
2. Entlüftungsventil
3. Schwenkbarer Sauganschluss
4. Druckanschluss
5. Integriertes Rückschlagventil
6. Ablasstopfen
7. Schwingungsdämpfer aus Gummi
8. Elektronische Management-Schnittstelle

Die Elektropumpe muss an einem gegen Witterungseinflüsse geschützten Ort mit einer Umgebungstemperatur von höchstens 40°C installiert werden. Die Pumpe ist mit schwingungsdämpfenden Füßen versehen, die im Falle von bleibender Installation jedoch abgenommen und durch eine Verankerung der Auflagefläche ersetzt werden können (7). Es muss vermieden werden, dass die Rohrleitungen die Pumpenmündungen (3) und (4) belasten, weil sonst Deformationen oder andere Beschädigungen entstehen können.

Es empfiehlt sich die Pumpe stets so nahe wie möglich am Brunnen zu positionieren.

Die Pumpe darf ausschließlich in waagrechter Position installiert werden.

Die Rohrleitungen dürfen auf keinen Fall einen kleineren Durchmesser haben, als jener der Pumpenmündungen; an der Saugleitung ist die Pumpe mit einem Filter (1) und Rückschlagventil (NRV) (5) ausgestattet.

Für Ansaughöhen von über vier Metern oder bei beträchtlichen horizontalen Verläufen empfiehlt sich die Verwendung eines Saugrohrs mit größerem Durchmesser als dem der Saugmündung der Pumpe. Eine leichte positive Neigung des Saugrohrs in Richtung Elektropumpe vorsehen, damit sich keine Luftsäcke bilden. Abb.2

Falls die Saugleitung aus Gummi oder einem anderen flexiblen Material sein sollte, muss unbedingt sichergestellt werden, dass dieses verstärkt ist, damit durch den Saugeffekt keine Einschnürungen entstehen können.

Bei festen Installationen sollte an Saug- und Druckseite ein Absperrventil montiert werden. Damit kann die Leitung für etwaige Wartungsarbeiten oder vor längerem Stillstand vor und/oder nach der Pumpe abgesperrt werden.

Die Pumpe ist mit einem schwenkbaren Sauganschluss ausgestattet, um die Installation zu erleichtern. (3) und (4)

Im Falle von flexiblen Rohren sollte im Bedarfsfall eine Kurve Abb.1 und das Gartenset verwendet werden, das aus einem PE Schlauch mit Anschlüssen und Gartenbrause besteht, die separat erworben werden können.

Bei sehr kleinen Schmutzpartikeln empfiehlt es sich zusätzlich zum eingebauten Filter (1) am Pumpeneingang einen weiteren Filter vorzusehen, der am Saugrohr montiert wird.

- Den Motor nicht zu vielen Anlaufvorgängen pro Stunde aussetzen; es empfiehlt sich unbedingt 20 Anlaufvorgänge pro Stunde nicht zu überschreiten.



Der Durchmesser des Saugrohrs muss gleich oder größer sein als der Durchmesser der Saugmündung der Pumpe, siehe Tabelle 3.

7. ELEKTROANSCHLUSS



Sicherstellen, dass die Netzspannung mit den Daten des Typenschildes des zu versorgenden Motors übereinstimmt und eine adäquate Erdung möglich ist. **Die Anweisungen am Typenschild und in diesem Handbuch befolgen.**

Die Länge des Pumpenkabels begrenzt den Installationsabstand; wird eine Verlängerung benötigt, muss diese vom selben Typ sein (z.B. H05 RN-F oder H07 RN-F, je nach Installation) siehe Tab.3.

8. EINSCHALTEN



Vor dem Einschalten muss die Pumpe ganz mit zirka 4 Litern gefüllt sein, bis Luft aus dem Ablasstopfen austritt (2). Wenn das Wasser verbraucht ist, sofort den Stecker ziehen und die Pumpe ausschalten. Trockenlauf vermeiden.

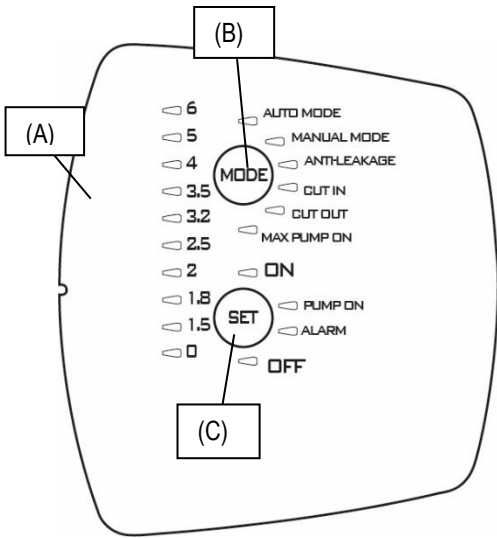
1. Vor dem Einschalten kontrollieren, ob die Pumpe korrekt ansaugt und über die spezielle Öffnung vollkommen mit sauberem Wasser füllen, nachdem der Füllstopfen des durchsichtigen Filters (1) von Hand oder mit dem mitgelieferten Werkzeug abgenommen wurde. Gleichzeitig über das Entlüftungsventil (2) die Luft ablassen. Dieser Vorgang ist für die einwandfreie Funktion der Pumpe sehr wichtig und für die korrekte Schmierung der mechanischen Dichtung unerlässlich. **Trockenlauf kann die mechanische Dichtung irreparabel beschädigen.**
2. Der Füllstopfen muss anschließend wieder bis zum Anschlag eingeschraubt (1) und das Entlüftungsventil (2) geschlossen werden.
3. Den Stecker des Stromkabels in eine 220-240V Steckdose einstecken. **Achtung!** Der Pumpenmotor läuft sofort an, das Wasser beginnt spätestens nach 3 Minuten zu fließen, wobei diese Zeitspanne von der Höhe des Wasserstands in dem Brunnen oder der Zisterne abhängt.
4. Die Pumpe wird weiter funktionieren und Wasser fördern. **Achtung!** Dem Trockenlauf vorbeugen.
5. Um die Pumpe auszuschalten, den Stecker abziehen.



Falls es Probleme beim Ansaugen geben sollte, diesen Vorgang so oft wiederholen, bis die gesamte Luft am Saugteil beseitigt ist.

9. ELEKTRONISCHE MANAGEMENT-SCHNITTSTELLE

9.1 Zusammenfassung der Merkmale



Beschreibung	Parameter
Spannung, Frequenz Leiterplatte	1x220-240V, 50/60 Hz
Spannungsanzeige On/Off	●
Motor On/Off	●
Alarmanzeige	●
Druckanzeige	●
Mode-Anzeige	●
Auto Mode	●
Manual Mode	○
Schutz gegen Trockenlauf	●
Schutz gegen Leckage	○
Schutz Max Pump On/maximale Betriebszeit	○ (30 Minuten)
Cut-in Druck	○ Variable (1,5 – 3,0bar)
Cut-out Druck	○ (Cut-in + 1 bar)
Selbstansaugend	●
Wahltasten	●

● = Fix eingestellt; ○ = Wählbar

9.1.1 Display-Beschreibung:

(A) LED-Druckanzeige

Die Druckanzeige von 0 bis 6 bar erfolgt mittels 10 LED Lampen. Sobald der Druck im System variiert, schalten sich die LED Lampen entsprechend ein oder aus.

Funktion	Display-Konfiguration	Set	Reset Alarm
Auto Mode		ON: Aktiviert OFF: Deaktiviert	
Manual Mode		ON: Aktiviert OFF: Deaktiviert	
Anti-Leckage		ON: Aktiviert OFF: Deaktiviert	SET drücken
Cut-in		Erhöhen/Vermindern	
Cut- out		Erhöhen/Vermindern OFF: Deaktiviert	
Max Pump On		ON: Aktiviert OFF: Deaktiviert	SET drücken

(B) Wahltaste MODE

Wählbare Modalitäten:

- | | |
|------------------------------------|--|
| 1) AUTO_MODE / Automatischer Modus | 4) CUT_IN / Einschaltpunkt |
| 2) MANUAL_MODE / Manueller Modus | 5) CUT_OUT / Ausschaltpunkt |
| 3) ANTI LEAKAGE / Anti Leckage | 6) MAX_PUMP_ON / maximale Betriebszeit |

Um die Wahl der Funktionen mit „MODE“ zu entsperren, 5 Sekunden lang „MODE“ drücken.

Durch Drücken von „MODE“ die verschiedenen Funktionsmodi (AUTO_MODE oder MANUAL_MODE) oder die zu verändernden Parameter (CUT IN und CUT OUT) scrollen oder bestimmte Funktionen (ANTI-LEAKAGE und MAX PUMP ON) aktivieren. Während des Scrollens blinkt die LED Lampe der angesteuerten Funktion. Zurück auf AUTO_MODE werden die aktivierten Funktionen durch die betreffende LED Lampe angezeigt, die jetzt bleibend eingeschaltet sein wird. Siehe Absatz 2 (Beschreibung der Funktionen).

Anzeigen auf „MODE“**AUTO MODE:** die Pumpe funktioniert im automatischen Modus, siehe 9.2.1**MANUAL MODE:** die Pumpe funktioniert im manuellen Modus, siehe 9.2.1, und der Benutzer entscheidet durch Betätigen der Taste „SET“ wann sie ein- oder abgeschaltet werden soll. SET-ON eingeschaltet SET-OFF abgeschaltet.**CUT-IN:** Druckeinstellung (immer aktiviert) auf 1.5 bis 3.0 bar einstellbarer Mindestdruck, unter dem sich die Pumpe einschaltet, Werkseinstellung 1.8 bar; die Pumpe wird auch dann aktiviert, wenn der Durchfluss geringer ist, als der werkseitig eingestellte Mindestwert von 1.5 l/min.**CUT-OUT:** Druckeinstellung (deaktiviert), über der sich die Pumpe ausschaltet, werkseitig eingestellt auf „CUT-IN“ + 1 LED, aber bis auf 3.5 bar (50.8 psi) erhöhbar.

Um sie zu aktivieren, die Funktion durch Drücken von „MODE“ wählen, bis die LED für CUT-OUT blinkt, dann:

- 1) SET **10 Sekunden lang** zur Entsperrung der Funktion betätigen (jetzt leuchten die LED-Lampen der Druckwerte),
- 2) SET betätigen, um den gewünschten Wert auszuwählen,
- 3) Zur Entsperrung der Funktion den Cut-Out-Wert auf 0 [bar oder psi] einstellen.
- 4) Die Einstellung durch Betätigung der MODE-Taste verlassen.

Bemerkung: Der CUT-OUT-Wert kann NUR nach Entsperrung der Funktion durch 10 Sekunden langes Betätigen der Taste SET verändert werden. Wenn Sie nach 1 Sekunde keinen Druckknopf betätigt haben, wird sich die Funktion erneut blockieren.

ANTI-LEAKAGE: Schutz gegen Leckage. Die Funktion kann aktiviert oder deaktiviert sein. Werkseitig ist sie deaktiviert. Wenn die Pumpe bei aktivierter Funktion innerhalb von 2 Minuten öfter als 6 Mal anläuft, wird sie angehalten und der Fehler wird durch die an „ALARM“ langsam blinkende rote LED angezeigt.

Um sie zu aktivieren, die Funktion durch Drücken von „MODE“ wählen, bis die entsprechende LED blinkt, dann SET drücken, bis sich die LED „ON“ einschaltet. Zum Deaktivieren „SET“ drücken, bis die Lampe für OFF leuchtet.

Falls der Alarm auch nach dem Beseitigung der Ursache noch auftritt, muss er zurückgesetzt werden, siehe 9.2.3.

MAX PUMP ON: maximale Betriebszeit. Die Funktion kann aktiviert oder deaktiviert sein. Werkseitig ist sie deaktiviert. Wenn die Pumpe bei aktivierter Funktion länger als 30 Minuten funktionieren sollte, wird sie angehalten und es erscheint keinerlei Fehlermeldung.

Diese Funktion dient als Schutz der Installation gegen unbeabsichtigt offen gelassene Hähne, Rohrbruch oder bei Anwendungen zur Bewässerung.

Um sie zu aktivieren, die Funktion durch Drücken von „MODE“ wählen, bis die LED für MAX PUMP ON leuchtet, dann SET drücken, bis sich die LED „ON“ einschaltet. Zum Deaktivieren „SET“ drücken, bis die Lampe für OFF leuchtet.

(C) Wahltaste SET

Wählbare Modalitäten:

- 1) Reset der Alarme;
- 2) Aktiviert/Deaktiviert in MODE (MAX_PUMP_ON, ANTILEAKAGE);
- 3) Erhöht die Parameter in MODE (CUT_IN; CUT_OUT);
- 4) Motor ON/OFF in MANUAL MODE;
- 5) Pumpe aktiviert/Pumpe in Standby in AUTO MODE.

„SET“ drücken, um die Parameter zu verändern; falls die LED an MODE-CUT IN oder MODE-CUT OUT leuchtet, wird der Wert an der Leiste der Druckanzeige-LEDs angezeigt. Bei Drücken von „SET“ wird der Wert erhöht. Nachdem der gewünschte Wert eingegeben wurde, durch Drücken von „MODE“ die Änderung verlassen, so dass die LED wieder auf MODE-AUTO gestellt und SET „ON“ aktiviert ist.

Mit SET werden auch die Funktionen Anti-Leakage und Max Pump On aktiviert/deaktiviert. Nachdem die Funktion mit der Taste „MODE“ gewählt wurde, wird sie mit SET-ON aktiviert, und mit SET-OFF deaktiviert.

Im Modus „MANUAL“ dient die Taste SET zum Ein- und Ausschalten der Pumpe, es leuchtet die LED für „ON“ oder „OFF“.

Im automatischen Modus AUTO-MODE dient sie zum Aktivieren „ON“ oder zum Setzen auf Standby „OFF“.

PUMP ON: diese Anzeige steht für Motor in Betrieb.

9.2 Beschreibung der Funktionen

9.2.1 Pumpe ON/OFF (AUTO MODE, MANUAL MODE)

Cut out deaktiviert → Beim Einstecken des Steckers nach dem LED-Test schaltet sich die Pumpe für 10 Sekunden ein.

Cut out aktiviert → Nach dem Einstecken des Steckers erfolgt während der ersten 3 sec der LED-Test (das Leuchten der LED 0 steht immer für vorhandene Spannung) und standartmäßig wird der Modus „**AUTO MODE**“ mit Einschalten der Kontrolllampe „**ON**“ eingestellt. Die Pumpe beginnt ihren Betrieb, wenn der Druck niedriger ist als der Wert für CUT-IN und der Durchfluss geringer als der Mindestfluss für CUT-IN. Die Pumpe bleibt solange in Betrieb, bis der Druck niedriger ist als der Wert für CUT-OUT, nach dessen Erreichen sie sich unabhängig vom Fluss abschaltet.

Wird hingegen durch einmaliges Drücken der Taste „**MODE**“ der Modus „**MANUAL MODE**“ gewählt, läuft die Pumpe an, sofern die LED für „**ON**“ leuchtet, andernfalls wird die Pumpe mit Drücken von „**SET**“ ausgeschaltet und die LED für „**OFF**“ schaltet sich ein.

Wenn die Pumpe in Betrieb gesetzt wird, tritt sie in den Modus ANSAUGUNG.

NB: Sicherstellen, dass die Installationsanleitungen korrekt befolgt wurden und die Pumpe ganz mit Wasser gefüllt ist.

9.2.2 Ansaugphase

Wenn die Pumpe in Betrieb gesetzt wird, tritt sie in den Modus Ansaugung; wird während dieser Phase kein Fluss und kein Druck gemessen, bleibt der Motor 3 Minuten lang in Betrieb und tritt anschließend in den Alarmzustand wegen Trockenlauf. Wird hingegen während dieses Zeitraums ein Fluss oder Druck erfasst, ist die Ansaugung erfolgt und die Pumpe funktioniert normal.

9.2.3 Reset der Alarme

Tritt ein Alarm auf, leuchtet die rote Kontrolllampe für „**ALARM**“. Der Alarm wird zurückgesetzt, in dem die Taste „**SET**“ gedrückt wird; sofern die Ursache beseitigt ist, wird der normale Betrieb fortgesetzt, andernfalls tritt die Pumpe in den Alarmzustand ein.

9.2.4 Anzeige für Spannung ON/OFF

Ist Spannung vorhanden, leuchtet die LED für Druck 0 an der LED-Leiste. Liegt keine Spannung vor, verlöscht diese LED.

NB: Im Falle des längeren Nichtgebrauchs sollte die Pumpe durch Herausziehen des Steckers spannungslos gemacht werden.

9.2.5 Anzeige für Pumpe ON/OFF

Wenn der Motor in Betrieb ist, wird dies durch eine blaue Lampe an „**PUMP ON**“ angezeigt. Wird der Motor angehalten, verlöscht diese LED.

9.2.6 Alarmanzeige

Liegt ein Alarm vor, schaltet sich eine rote Lampe an „**ALARM**“ bleibend oder blinkend ein.

Trockenlauf (Dry-Running): bleibend eingeschaltete rote Lampe

Leck (Leakage): langsames Blinken.

Max Pump ON (mehr als 30 Minuten funktionierende Pumpe): 2 schnelle Blinkvorgänge mit einer längeren Pause.

„**SET**“ drücken, um die Alarme zurückzusetzen.

9.2.7 Schutz gegen Trockenlauf (Dry Running Protection)

Im Falle des Trockenlaufs wird die Pumpe nach kurzer Zeit (40 sec) angehalten und es erfolgt eine Fehlermeldung mit bleibend eingeschalteter roter Kontrolllampe an „**ALARM**“.

Nach einer Zeit von 30 Minuten bei Pumpe in OFF erfolgt ein neuer Anlaufversuch von 5 Minuten. Bleibt auch dieser erfolglos, wird alle 30 Minuten ein neuer Versuch unternommen, bis zu einer Höchstzahl von 48 Versuchen. Falls all diese Versuche fehlschlagen, erfolgt nach jeweils 24 Stunden ein weiterer Versuch.

Sobald Fluss und/oder Druck vorhanden ist, wird der Alarm wegen Trockenlauf automatisch verlassen.

Wird der Alarm zurückgesetzt, siehe 9.2.3, erfolgt ein neuer Versuch von 40 sec.

Die Ursachen beseitigen und den Alarm zurücksetzen, siehe 9.2.3.

9.2.8 Schutz gegen Leckage (ANTI-LEAKAGE)

Diese Funktion kann aktiviert oder deaktiviert werden und ist werkseitig deaktiviert. Wenn die Pumpe bei aktivierter Funktion innerhalb von 2 Minuten öfter als 6 Mal anläuft, wird sie angehalten und der Fehler wird durch die an „**ALARM**“ langsam blinkende rote LED angezeigt.

Die Ursachen beseitigen und den Alarm zurücksetzen, siehe 9.2.3.

Für die Aktivierung siehe Abschnitt Anti-Leakage.

9.2.9 Maximale Betriebszeit

Maximale Betriebszeit. Die Funktion kann aktiviert oder deaktiviert sein. Werkseitig ist sie deaktiviert. Wenn die Pumpe bei aktivierter Funktion länger als 30 Minuten funktionieren sollte, wird sie angehalten und es erfolgt ein Blinken an ALARM.

Diese Funktion dient als Schutz der Installation gegen unbeabsichtigt offen gelassene Hähne, Rohrbruch oder bei Anwendungen zur Bewässerung.

9.2.10 Alarm des Drucksensors

Die Vorrichtung tritt in Alarm für Drucksensor ein, wenn sich der Druckwert außerhalb des Betriebsbereichs (0-15 bar) befindet. Die Pumpe wird ausgeschaltet, und sobald die normalen Druckbedingungen wieder hergestellt sind, wird der Fehler zurückgesetzt.

9.3 Erstes Anlassen

9.3.1 Test der LEDs

Beim ersten Einschalten oder jedenfalls nach dem Einstecken des Steckers erfolgt ein einige Sekunden dauernder Test der 20 LEDs, bei dem die LED Lampen nacheinander aufleuchten.

9.3.2 Erstes Wasseransaugen

Die Pumpe befindet sich automatisch im Modus **AUTO** Mode mit Einstellung auf **ON**.

Es können drei Situationen vorkommen:

- 1) Fluss vorhanden, aber mit geringem Druck: die Ansaugphase wird verlassen und der normale Betrieb beginnt.
- 2) Druck, aber kein Durchfluss vorhanden: nach 10 sec unter dieser Bedingung schaltet sich die Pumpe aus.
- 3) Weder Durchfluss noch Druck: die Pumpe geht aus und nach zirka 3 Minuten erscheint eine Fehlermeldung für Trockenlauf mit leuchtender roter LED an SET-ALARM. Die Ursache beseitigen und den Alarm zurücksetzen, siehe 9.2.3.

9.4 Normaler Betrieb bei deaktiviertem CUT-OUT (Werkseinstellung)

Bei deaktiviertem Cut-Out liegen die folgenden Situationen vor:

- Die Pumpe wird aktiviert, wenn Durchfluss vorliegt, oder bei Druckmangel, Druck unter dem Wert für CUT_IN (in 10 ms).
- Die Pumpe wird angehalten, wenn andauernd 10 sec lang Druck vorhanden ist, aber kein Durchfluss.

Die LED für CUT OUT bleibt während des normalen Betriebs ausgeschaltet. Für die Änderung der Einstellung siehe 9.1.1.B.

9.5 Normaler Betrieb bei aktiviertem CUT-OUT

Bei aktiviertem Cut-Out liegen die folgenden Situationen vor:

- Die Pumpe schaltet sich ein, wenn der Druck niedriger ist, als der Druck für CUT IN.
- Die Pumpe schaltet sich aus, wenn der Druck höher ist, als der Druck für CUT OUT.

Die LED für CUT OUT bleibt während des normalen Betriebs eingeschaltet. Für die Änderung der Einstellung siehe 9.1.1.B.

10. VORSICHTSMASSNAHMEN

FROSTGEFAHR: Wenn die Pumpe bei Temperaturen unter 0°C längere Zeit nicht betrieben werden soll, muss das gesamte noch enthaltene Wasser entleert werden, weil es sonst vereisen und die Kunststoffteile beschädigen kann.

Wenn die Pumpe mit gechlortem Wasser oder mit Substanzen betrieben wurde, die zu Ablagerungen neigen, muss sie nach dem Gebrauch mit einem kräftigen Wasserstrahl ausgespült werden, damit sich keine Ablagerungen oder Verkrustungen bilden, die die Leistung der Pumpe mindern würden.

11. WARTUNG UND REINIGUNG

Bei normalem Betrieb erfordert die Pumpe keinerlei Wartung. In jedem Fall dürfen alle Reparatur- und Wartungsarbeiten ausschließlich bei spannungslos gemachter Pumpe durchgeführt werden. Bevor die Pumpe wieder eingeschaltet wird, stets sicherstellen, dass alles fachgerecht eingebaut wurde, damit jedes Risiko für Personen oder Sachen ausgeschlossen wird.

11.1 Reinigung des Ansaugfilters (Abb.3)

- Die Spannungsversorgung der Pumpe unterbrechen.
- Um die Pumpe zu entleeren, zunächst die vorgeschalteten Schieber (sofern vorhanden) schließen und dann den Ablassstopfen (6) öffnen.
- Den Deckel der Filterkammer von Hand oder mit dem speziellen Werkzeug aufschrauben.
- Die Filtereinheit von oben herausziehen.
- Den Becher unter fließendem Wasser ausspülen und den Filter mit einer weichen Bürste säubern.
- Den Filter in umgekehrter Reihenfolge wieder einbauen.

11.2 Reinigung des Rückschlagventils (Abb.4)

- Die Spannungsversorgung der Pumpe unterbrechen.
- Mit dem mitgelieferten Werkzeug den Deckel des Rückschlagventils NRV (5) ausbauen.
- Das Rückschlagventil NRV ausbauen und von etwaigen Verschmutzungen befreien.
- Die Teile in umgekehrter Reihenfolge wieder zusammenbauen.

12. STÖRUNGSSUCHE



Vor der Fehlersuche muss die Pumpe vom Stromnetz getrennt werden (Netzstecker ziehen). Falls Stromkabel oder elektrische Teile der Pumpe beschädigt sind, müssen Reparaturen von der Herstellerfirma oder seinem technischen Kundendienst bzw. von einer entsprechend qualifizierten Person durchgeführt werden, damit jedes Risiko ausgeschlossen wird.

STÖRUNGEN	KONTROLLEN (mögliche Ursachen)	ABHILFEN
1. Der Motor läuft nicht an und erzeugt keinerlei Geräusch.	A. Die Elektroverbindungen kontrollieren. B. Sicherstellen, dass der Motor unter Spannung steht. C. Die Schmelzsicherungen prüfen. D. Der Wärmeschutzschalter wurde vielleicht ausgelöst.	C. Falls durchgebrannt, ersetzen. D. Zirka 20 Minuten abwarten, bis der Motor abgekühlt ist. Die Ursache auffinden und beseitigen. NB: falls die Störung sofort danach erneut auftritt, ist der Motor wahrscheinlich kurzgeschlossen.

2. Der Motor läuft nicht an und erzeugt keinerlei Geräusch.	A. Kontrollieren, ob die Netzspannung dem Wert des Typenschildes entspricht. B. Pumpe und Motor auf etwaige Verstopfungen kontrollieren. C. Prüfen, ob die Welle blockiert ist. D. Den Zustand des Kondensators prüfen.	B. Verstopfungen beseitigen. C. Den Deckel mit dem speziellen Werkzeug aufschrauben und die Welle mit einem Schraubendreher befreien. D. Den Kondensator auswechseln.
3. Der Motor dreht schwer.	A. Sicherstellen, dass die Versorgungsspannung ausreichend ist. B. Kontrollieren, ob bewegliche und feste Teile aneinander streifen.	B. Die Ursachen beseitigen.
4. Die Pumpe fördert nicht.	A. Die Pumpe zieht nicht korrekt. B. Zu kleiner Durchmesser des Saugrohrs. C. Rückschlagventil NRV oder Filter verstopft.	A. Die Pumpe füllen und Wasser ziehen lassen, so dass die Luft durch das Entlüftungsventil austreten kann. B. Ein Rohr mit größerem Durchmesser verwenden. C. Den Filter und gegebenenfalls auch das NRV säubern.
5. Die Pumpe fördert nicht.	A. Das Saugrohr saugt Luft an. B. Das negative Gefälle des Saugrohrs begünstigt die Bildung von Luftsäcken.	A. Das Phänomen beseitigen, indem die Dichtigkeit der Anschlüsse und die Saugleitung kontrolliert werden, und das Wasserziehen wiederholen. B. Das Gefälle der Saugleitung korrigieren.
6. Die Fördermenge der Pumpe ist zu gering.	A. Das Saugrohr ist verstopft. B. Das Pumpenrad ist verschlissen oder verstopft. C. Zu kleiner Durchmesser der Saugleitung.	A. Saugrohr reinigen. B. Verstopfung beseitigen oder die verschlissenen Teile ersetzen. C. Ein Rohr mit größerem Durchmesser verwenden.
7. Die Pumpe erzeugt Vibrationen und läuft sehr laut.	A. Sicherstellen, dass die Pumpe und die Leitungen sicher befestigt sind. B. Die Pumpe erzeugt Kavitation, das heißt sie fordert mehr Wasser an, als sie pumpen kann. C. Der Pumpenbetrieb überschreitet die Daten des Typenschildes.	A. Lockere Teile sorgfältig fixieren. B. Ansaughöhe verringern oder Druckverluste kontrollieren. C. Eventuell die Fördermenge am Vorlauf begrenzen.

13. GARANTIE



Alle nicht zuvor genehmigten Änderungen der Pumpe entheben den Hersteller von jeder Haftpflicht. Alle für Reparaturen verwendeten Ersatzteile müssen Originalteile sein und alle Zubehöre müssen vom Hersteller autorisiert sein, weil nur so die größtmögliche Sicherheit der Maschinen und Anlagen gewährleistet werden kann.

Dieses Produkt verfügt über eine gesetzliche Garantiezeit (innerhalb der EG sind das 24 Monate ab dem Kaufdatum), die sämtliche auf Fabrikations- oder Materialfehler zurückzuführende Mängel deckt.

Das unter Garantie stehende Produkt kann nach Dafürhalten des Herstellers entweder durch ein einwandfrei funktionierendes Produkt ersetzt oder kostenlos repariert werden;

hierzu müssen die folgenden Bedingungen erfüllt sein:

- Das Produkt muss korrekt und gemäß den Anleitungen benutzt worden sein und es dürfen keinerlei Reparaturversuche seitens des Käufers oder dritten Personen unternommen worden sein.
- Das Produkt muss dem Händler zusammen mit dem Kaufbeleg (Rechnung oder Kassenbon) und einer kurzen Beschreibung des aufgetretenen Problems übergeben werden.

Das Laufrad und die Verschleißteile sind nicht von der Garantie gedeckt. Eine Reparatur oder der Ersatz unter Garantie verlängert in keinem Fall die ursprüngliche Garantiezeit.

TABLE DES MATIÈRES	
1. APPLICATIONS	26
2. LIQUIDES POMPABLES	27
3. DONNÉES TECHNIQUES ET LIMITES D'UTILISATION	27
4. GESTION	27
4.1 Stockage	27
4.2 Transport	27
4.3 Poids et dimensions	27
5. AVERTISSEMENTS	27
6. INSTALLATION	28
7. BRANCHEMENT ÉLECTRIQUE	28
8. DÉMARRAGE	28
9. INTERFACE ELECTRONIQUE DE GESTION	29
9.1 Vue panoramique sur les caractéristiques	29
9.1.1 Description de l'écran:	29
9.2 Description des fonctions	31
9.2.1 Pompe ON/OFF (MODE AUTO, MODE MANUEL)	31
9.2.2 Phase d'amorçage	31
9.2.3 Reset alarmes	31
9.2.4 Indication de tension ON/OFF	31
9.2.5 Indication pompe On/off	31
9.2.6 Indication Alarmes	31
9.2.7 Protection contre le Fonctionnement à sec (Dry running protection)	31
9.2.8 Protection contre les pertes (ANTI-LEAKAGE)	31
9.2.9 Max pump on	31
9.2.10 Alarme capteur de pression	31
9.3 Premier démarrage	31
9.3.1 Test sur les LEDs	31
9.3.2 Premier amorçage	31
9.4 Opérations normales avec CUT-OUT désactivé (en sortie d'usine)	32
9.5 Opérations normales avec CUT-OUT activé	32
10. PRÉCAUTIONS	32
11. ENTRETIEN ET LAVAGE	32
11.1 Nettoyage du filtre d'aspiration	32
11.2 Nettoyage du clapet anti-retour NRV (non return valve)	32
12. RECHERCHE PANNES	32
13. GARANTIE	33

AVERTISSEMENTS



Avant de procéder à l'installation, lire attentivement toute la documentation:



Avant chaque intervention, débrancher la fiche. Il est strictement interdit de la faire fonctionner à sec.



Protéger l'électropompe contre les intempéries.



Protection contre la surcharge. La pompe est munie d'une protection thermique. En cas de surchauffe éventuelle du moteur, la protection intervient en éteignant automatiquement la pompe. Le temps de refroidissement est d'environ 15-20 min puis la pompe se rallume automatiquement. Après l'intervention de la protection thermique, il faut absolument en identifier la cause et l'éliminer. Consulter la section Recherche des Pannes.

1. APPLICATIONS

Pompes centrifuges auto-amorçantes à jet avec une excellente capacité d'aspiration même en présence de bulles d'air. Particulièrement indiquée pour l'alimentation hydrique et la petite domestique. Appropriée pour la petite agriculture et les applications de jardinage, les urgences domestiques et les loisirs en général. Grâce à sa forme compacte et maniable, elle trouve également des applications particulières comme pompe portable en cas d'urgence tels que le prélèvement d'eau depuis des réservoirs ou des fleuves. Gamme de pompes automatisées, sans réservoir tampon, avec marche/arrêt selon la demande en eau, sécurité contre la marche à sec et fonctionnalités innovantes (voir chapitre interface de gestion).

En cas de produit équipé de Wifi, consulter le guide rapide.



Ces pompes ne peuvent pas être utilisées dans des piscines, étangs, bassins en présence de personnes, ou pour le pompage d'hydrocarbures (essence, gazole, huiles combustibles, solvants, etc.) conformément aux normes de prévention des accidents en vigueur en la matière. Avant de les ranger, il faut prévoir une étape de nettoyage. Voir chapitre « Entretien et Nettoyage ».

2. LIQUIDES POMPABLES

Propre sans corps solide ou abrasif,
sans calcaire ou minéralisation excessive

Eaux fraîches	•
Eau de pluie (filtrée)	•
Eaux usées claires	○
Eaux usées	○
Eau de fontaine (filtrée)	•
Eau de rivière ou lac (filtrée)	•
Eau potable	•

Tableau 1

- Adaptée
- Non adaptée

3. DONNÉES TECHNIQUES ET LIMITES D'UTILISATION

- **Tension d'alimentation: 220-240V** voir plaquette des données électriques
- **Fusibles de ligne retardés (version 220-240V):** valeurs indicatives (Ampères)
- **Température de stockage: -10°C +40°C**

Modèle	Fusibles de ligne 220-240V 50Hz
P1= 850	4
P1= 1100	6
P1= 640	4
P1= 920	6

Tableau 2

	Modèle	P1=850	P1=1100	P1=640	P1=920
Données électriques	P1 Puissance absorbée nominale [W]	850	1100	640	920
	P2 [W]	600	750	380	560
	Tension de réseau [V]	1~220-240 AC			
	Fréquence de réseau [Hz]	50			
	Courant [A]	3.88	4.58	3.10	4.20
	Condensateur [µF]	12.5	16	16	12.5
	Condensateur [Vc]	450			
Données hydrauliques	Débit max. [l/h.]	3180	3750	3600	4800
	Hauteur totale nominale max. [m]	43	45	32	40
	Hauteur totale nominale max. [bar]	4.3	4.5	3.2	4.0
	Résistance à la pression [bar]	6			
	Profondeur max. d'aspiration [m/min]	8m / <3min		6m / < 3min	
Champ d'utilisation	Long. Câble alimentation [m]	1.5			
	Type câble	H07 RNF			
	Degré de protection du moteur	IP X4			
	Classe d'isolation	F			
	Champ température du liquide [°C] selon la norme EN 60335-2-41 pour usage domestique	0 °C / +35 °C			
	Dimension max. des particules	eau propre			
	Max. Température environnementale [°C]	+40 °C			
Poids	DNM GAZ	1" M			
	Poids net/Lourd env. [kg]	9.6/11.8	10.3/12.5	10.1/12.1	10.9/12.9

Tableau 3



Veillez à ce qu'aucune contrainte ne soit exercée par le poids des tuyauteries sur la pompe elle-même.

4. GESTION

4.1 Stockage

Toutes les pompes doivent être stockées dans un endroit couvert, sec et correctement ventilé, à l'abri du risque de condensation, exempt de vibrations et de poussières. Elles sont fournies dans leur emballage d'origine dans lequel elles doivent rester jusqu'au moment de l'installation.

4.2 Transport

Éviter de soumettre les produits à des chocs et collisions.

4.3 Poids et dimensions

La plaque adhésive placée sur l'emballage indique le poids total de l'électropompe et ses dimensions.

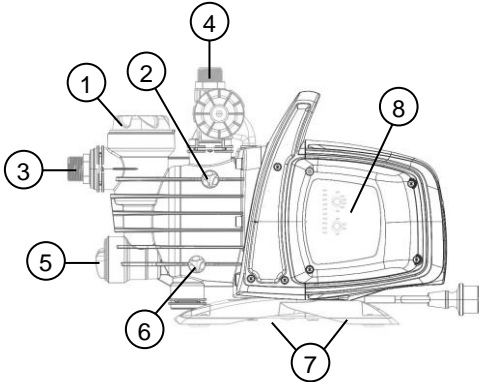
5. AVERTISSEMENTS



Les pompes ne doivent jamais être transportées, soulevées ou fonctionner suspendues en utilisant le câble d'alimentation; utiliser la poignée.

- La pompe ne doit jamais fonctionner à sec.
- Nous recommandons d'ouvrir/fermer les bouchons d'évent/purge (2 et 6) sans trop forcer.

6. INSTALLATION



1. Préfiltre
2. Bouchon de purge d'air
3. Branchement d'aspiration orientable
4. Branchement de refoulement
5. Clapet anti-retour intégré
6. Bouchon de vidange
7. Pieds en caoutchouc anti-vibrations
8. Interface électronique de gestion

L'électropompe doit être installée dans un lieu, protégée des intempéries et avec une température ambiante ne dépassant pas les 40 °C.

La pompe est équipée de pieds anti-vibrations, mais en cas d'installations fixes, il est possible de les retirer et de prévoir un ancrage à la base d'appui (7). Éviter que les tuyauteries transmettent des efforts excessifs aux bouches de la pompe (3) et (4), pour éviter les déformations ou les ruptures.

Il est toujours conseillé de positionner la pompe le plus près possible du liquide à pomper.

La pompe doit être installée exclusivement en position horizontale.

Les tuyauteries ne doivent jamais avoir un diamètre interne inférieur à celui des raccords de l'électropompe. En aspiration, la pompe est équipée d'un filtre (1) et d'un clapet anti-retour (5).

Pour des profondeurs d'aspiration dépassant les quatre mètres ou avec de longs parcours à l'horizontale, il est conseillé d'utiliser un tuyau d'aspiration d'un diamètre supérieur à celui du raccord d'aspiration de l'électropompe. Pour éviter la formation de poches d'air dans le tuyau d'aspiration, prévoir une légère pente positive du tuyau d'aspiration vers l'électropompe. Fig.2

Si la tuyauterie aspirante est en caoutchouc ou en matière flexible, contrôlez toujours qu'elle soit de type renforcé résistant au vide pour éviter des étranglements / aplatissements par effet de l'aspiration.

Pour une installation fixe, il est recommandé de monter une vanne de fermeture aussi bien sur le côté de l'aspiration que sur le côté de refoulement. Cela permet de fermer la ligne en amont et/ou en aval de la pompe utile pour toutes les interventions d'entretien et de nettoyage ou pour les périodes pendant lesquelles la pompe n'est pas utilisée.

La vanne placée au refoulement permettra en outre d'assurer la coupure de la pompe ou son redémarrage selon la consommation d'eau. La pompe est équipée d'une entrée rotative pour faciliter l'installation. (3) et (4)

En présence de particules très fines, nous vous conseillons d'utiliser, en plus du filtre intégré (1), un filtre entrée de pompe monté sur le tuyau d'aspiration.

- Ne pas soumettre le moteur à un nombre de démarrages/heure excessif ; il est fortement conseillé de ne pas dépasser les 20 démarrages/heure.



Le diamètre du tuyau d'aspiration doit être supérieur ou égal au diamètre du raccord de l'électropompe, voir Tableau 3.

7. BRANCHEMENT ÉLECTRIQUE



S'assurer que la tension de secteur correspond à celle de la plaque du moteur à alimenter et qu'il est possible D'EFFECTUER UNE MISE À LA TERRE EFFICACE. **Respecter les indications présentes sur la plaque technique et dans le tableau 3 de ce manuel.**

La longueur du câble d'alimentation présente sur la pompe limite la distance d'installation; en cas de besoin de rallonge, assurez-vous qu'elle soit du même type (par ex. H05 RN-F ou H07 RN-F en fonction de l'installation) voir tab.3.

8. DÉMARRAGE



Ne pas démarrer la pompe sans l'avoir entièrement remplie d'eau, environ 2-3 litres, jusqu'à ce qu'elle sorte par le bouchon de purge d'air (2).

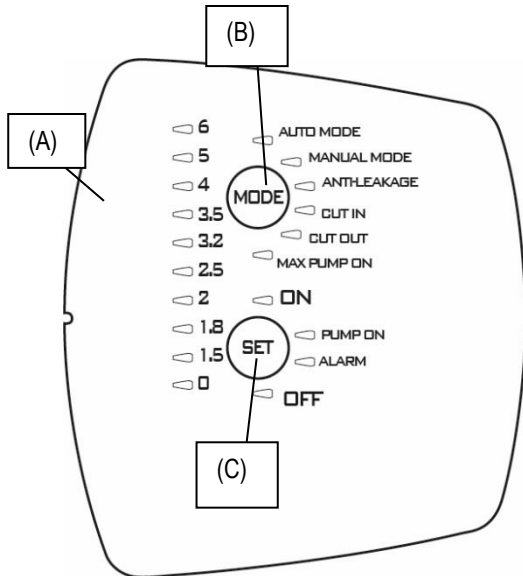
En cas de manque d'eau, débranchez immédiatement la prise, la pompe va donc s'éteindre. Évitez son fonctionnement à sec.

1. Avant le démarrage, contrôler que la pompe soit normalement amorcée, en procédant à son remplissage total, avec de l'eau propre, par l'intermédiaire du bouchon de chargement du filtre transparent (1) (à ouvrir à la main ou avec la clé fournie). Ouvrir également le bouchon de purge d'air (2) pour faire sortir l'air. Cette opération est fondamentale pour le parfait fonctionnement de la pompe et indispensable pour que le joint d'étanchéité mécanique soit bien lubrifié. **Le fonctionnement à sec et les particules abrasives provoquent des dommages irréversibles au joint d'étanchéité mécanique.**
2. Le bouchon de remplissage devra ensuite être refermé soigneusement à fond (1), tout comme le bouchon de purge d'air (2).

3. Insérer la fiche du câble d'alimentation dans une prise de courant à 220-240V. **Attention !** Le moteur de la pompe démarrera immédiatement, l'eau commencera à sortir après un temps maximum de 3 minutes, qui dépendra de la profondeur du niveau de l'eau dans le puits ou la citerne.
4. La pompe continue à fonctionner et à distribuer de l'eau. **Attention !** Empêcher le fonctionnement à sec.
5. Pour éteindre la pompe, fermer la vanne de coupure au refoulement ou débrancher la fiche du câble d'alimentation.
En cas de problème d'amorçage, répéter la manipulation jusqu'à ce que l'air dans l'aspiration ait été totalement éliminé.



9. INTERFACE ELECTRONIQUE DE GESTION



9.1 Vue panoramique sur les caractéristiques

Description	Paramètres
Tension, fréquence carte	1x220-240V, 50/60 Hz
Indication tension on/off	●
Indication moteur on/off	●
Indication Alarmes	●
Indication Pression	●
Indication Mode	●
Mode automatique	●
Mode manuel	○
Protection contre la Marche à sec	●
Protection contre les fuites	○
Protection max pump on	○ (30 minutes)
Pression cut-in	○ Variable (1,5 – 3,0 bar)
Pression cut-out	○ (Cut-in + 1 bar)
Auto-amorçage	●
Boutons sélection	●

● = Fixé-non modifiable ; ○ = Sélectionnable-modifiable

9.1.1 Description de l'écran:

(A) Indicateurs à LED de pression

10 LEDs sont utilisées comme indication de la pression de 0 jusqu'à 6 bars Lorsque dans le système la pression change, les LEDs s'allumeront ou s'éteindront de conséquence.

Fonction	Configuration écran	Réglage	Reset Alarme
Auto Mode (Mode automatique)		ON : Active OFF : Désactive	
Manual mode (Mode manuel)		ON : Active OFF : Désactive	
Anti-leakage (sécurité antifuite ou débit trop faible)		ON : Activé OFF : Désactivé	Appuyer sur SET
Cut in (Pression basse de redémarrage)		Augmente/diminue	
Cut out (Pression haute de coupure)		Augmente/diminue OFF : désactivé	
Max pump on (durée maximale de fonctionnement en continu)		ON : activé OFF : désactivé	Appuyer sur SET

(B) Bouton de sélection MODE

Modalités sélectionnables:

- | | |
|-------------------|----------------|
| 1) MODE_AUTO ; | 4) CUT_IN ; |
| 2) MODE_MANUEL ; | 5) CUT_OUT ; |
| 3) ANTI-LEAKAGE ; | 6) MAX_PUMP_ON |

Pour débloquer le choix des fonctions sur « MODE », appuyer sur la touche « MODE » pendant 5 seconde.

Appuyer sur « **MODE** » pour faire défiler les différentes modalités de fonctionnement (MODE_AUTO ou MODE_MANUEL) ou les paramètres à modifier (CUT IN et CUT OUT) ou pour activer certaines fonctionnalités (ANTI-LEAKAGE et MAX PUMP ON). (en mode par défaut, ces fonctions sont désactivées).

En faisant défiler les modes, la LED de la fonction choisie clignotera .Une fois revenu en MODE_AUTO, les fonctions actives seront mises en évidence avec leurs LEDs respectives allumées fixe. (voir paragraphe 2 -Description des fonctions).

BOUTONS DE SELECTION « MODE » Liste des indicateurs:

MODE AUTO : la pompe fonctionnera en modalité automatique voir 9.2.1

MODE MANUEL : la pompe fonctionne en modalité manuelle voir 9.2.1, L'utilisateur doit décider quand l'allumer et l'éteindre en agissant sur le bouton « **SET** ». SET-ON allumé SET-OFF éteinte.

CUT-IN : réglage pression basse (toujours activé) = pression minimale en dessous de laquelle la pompe redémarre, réglable entre 1,5 et 3,0 bars, d'usine 1.8 bar ; la pompe démarre également même si le débit est inférieur à une valeur minimale de 1,5 l/min réglé en usine.

CUT-OUT: réglage haute pression (désactivé) = pression au-dessus de laquelle la pompe s'arrête, d'usine : réglé sur la valeur «CUT-IN » + 1 LEDs, mais peut être augmenté jusqu'à 3.5 bars (50.8 psi). (tenir compte néanmoins de la capacité maxi de la pompe) Pour l'activer, sélectionner la fonction en appuyant sur « **MODE** » jusqu'à ce que la LED correspondante à CUT-OUT clignote; ensuite:

- 1) appuyer sur la touche SET **pendant 10 secondes** pour débloquer la fonction (à ce stade, les LED s'allument sur les valeurs de pression),
- 2) appuyer sur la touche SET pour sélectionner la valeur souhaitée,
- 3) pour désactiver la fonction, positionner la valeur de cut-out sur 0 [bar ou psi],
- 4) quitter le réglage en appuyant sur MODE.

NOTE : la valeur de CUT-OUT peut être modifiée UNIQUEMENT après avoir débloqué la fonction en appuyant sur la touche SET pendant 10 secondes. Après n'avoir appuyé sur aucune touche pendant 1 seconde, la fonction se bloque à nouveau.

ANTI-LEAKAGE: protection contre les fuites. La fonction peut être activée ou désactivée. D'usine, elle est désactivée. Lorsqu'elle est activée, si la condition de la pompe qui se déclenche plus de 6 fois en 2 minutes se vérifie, celle-ci sera arrêtée et l'erreur à travers la LED rouge clignotant lentement sur « **ALARM** » est indiquée.

Pour l'activer, sélectionner la fonction en appuyant sur « **MODE** » jusqu'à ce que la LED correspondante clignote ; ensuite appuyer sur SET jusqu'à ce que la LED « **ON** » soit allumée. Pour désactiver, appuyer sur SET jusqu'à ce que la lumière allumée indique OFF. Une fois la cause éliminée, réinitialiser l'alarme ; si elle est encore présente, voir 9.2.3.

MAX PUMP ON : durée de fonctionnement maximum. La fonction peut être activée ou désactivée. D'usine, elle est désactivée. Lorsqu'elle est activée, si la condition de la pompe fonctionnant pendant plus de 30 minutes se vérifie, celle-ci sera arrêtée, aucune indication d'erreur n'apparaîtra.(la durée de 30 minutes n'est pas modifiable).

Cette fonction est utilisée pour protéger l'installation dans le cas d'un oubli accidentel de robinet ouvert, dans le cas d'une rupture d'une tuyauterie ou dans ces applications pour irrigation. (semi-programmateur).

Pour l'activer, sélectionner la fonction en appuyant sur « **MODE** » jusqu'à ce que la LED correspondant à la fonction MAX PUMP ON soit allumée ; ensuite appuyer sur SET jusqu'à ce que la LED « **ON** » soit allumée. Pour désactiver, appuyer sur SET jusqu'à ce que la lumière allumée indique OFF.

(C) Bouton de selection SET

Modalités sélectionnables:

- 1) Reset Alarmes;
- 2) Active/désactive en MODE (MAX_PUMP_ON, ANTI-LEAKAGE);
- 3) Augmente les paramètres en MODE (CUT_IN ; CUT_OUT);
- 4) Allume ou éteint le moteur ON/OFF en MODE MANUEL;
- 5) Pompe active/pompe en veille en MODE AUTO.

Appuyer sur « **SET** » pour modifier les paramètres, si la LED est allumée sur MODE-CUT IN ou MODE-CUT OUT, la valeur sera affichée sur la barre à LED d'indication de la pression. En appuyant sur « **SET** » la valeur sera augmentée. Après avoir réglé la valeur souhaitée, sortir de la modification en appuyant sur « **MODE** » et en remettant la LED sur MODE-AUTO et SET « **ON** » activé.

Appuyer également sur SET pour activer/désactiver les fonctions anti-leakage et Max pump On. Après avoir sélectionné la fonction avec la touche « **MODE** » l'activer en sélectionnant SET-ON, pour la désactiver, sélectionner SET-OFF.

En modalité « **MANUEL** », la touche SET permettra d'allumer ou d'éteindre la pompe, la LED allumée sur « **ON** » ou sur « **OFF** ». En modalité automatique, MODE-AUTO permettra d'activer « **ON** » ou de mettre en veille « **OFF** ».

PUMP ON : indication qui coïncide avec le moteur en fonctionnement.

9.2 Description des fonctions

9.2.1 Pompe ON/OFF (MODE AUTO, MODE MANUEL)

Cut out désactivé → à l'insertion de la fiche après le test sur les LEDs, la pompe s'allume pendant 10 secondes.

Cut out activé → Après avoir inséré la fiche, le test est effectué sur les LEDs pendant les 3 premières secondes (l'allumage de la LED 0 indique toujours la présence de tension) et la modalité « AUTO MODE » est réglée par défaut avec l'allumage du voyant « ON ». La pompe commence à fonctionner si la pression est inférieure à la valeur de CUT-IN (pression basse) et le débit inférieur au débit minimum de cut-in. La pompe fonctionne jusqu'à ce que la pression soit proche de la valeur de CUT-OUT (pression haute), qui une fois atteinte s'éteindra indépendamment du débit.

Si en revanche la modalité « **MANUAL MODE** » est sélectionnée, en appuyant une fois sur la touche « **MODE** », la pompe démarrera si la LED « **ON** » est allumée, sinon en appuyant sur « **SET** », la pompe s'éteindra et la LED « **OFF** » s'allumera.

Lorsque la pompe commencera à fonctionner, elle entrera dans la modalité AMORÇAGE.

(Remarque: s'assurer d'avoir suivi les instructions pour l'installation et que la pompe ait été entièrement remplie d'eau.)

9.2.2 Phase d'amorçage

Lorsque la pompe commence à fonctionner, elle entre dans la phase d'amorçage ; pendant cette phase, si elle ne relève pas de débit et de pression, elle maintient le moteur allumé pendant 3 minutes puis elle entre en alarme de fonctionnement à sec si nécessaire. Si en revanche, dans cet intervalle de temps, elle relève un débit ou de la pression, l'amorçage est effectué et la pompe peut fonctionner normalement.

9.2.3 Reset alarmes

Lorsqu'une alarme se présente, le voyant rouge sur « **ALARM** » s'allume. L'alarme est annulée en appuyant une fois sur la touche « **SET** ». Si la cause qui l'a générée a été éliminée, elle reprend par un fonctionnement normal, autrement la pompe retourne en alarme.

9.2.4 Indication de tension ON/OFF

S'il y a une tension détectée, la LED de pression 0 sur la barre LED sera allumée. S'il n'y a pas de tension, cette LED sera éteinte. Remarque: pendant des longues périodes d'inactivité, il est conseillé de mettre hors tension en débranchant la fiche.

9.2.5 Indication pompe On/off

Lorsque le moteur est en fonctionnement, une lumière bleue sur « **PUMP ON** » doit être allumée pour indiquer le fonctionnement. Lorsque le moteur s'arrête, cette LED sera éteinte.

9.2.6 Indication Alarmes

Une lumière rouge fixe ou un bouton sur « **ALARM** » est activée lorsqu'un bouton est présent.

Fonctionnement à sec (Dry-running) : lumière rouge fixe

Perte (Leakage) : clignotement lent.

Max Pump ON (pompe fonctionnant pendant plus de 30 minutes): 2 clignotements rapides séparés d'une pause plus longue.

Appuyer sur « **SET** » pour annuler les alarmes.

9.2.7 Protection contre le Fonctionnement à sec (Dry running protection)

Si la pompe fonctionne à sec, après quelques secondes (40 sec.) elle est arrêtée et une indication d'erreur avec voyant lumière rouge fixe sur « **ALARM** » se présente.

Après une première période de 30 min où la pompe est en état OFF, une nouvelle tentative de redémarrage d'une durée de 5 min est effectuée. Si celle-ci se termine mal, une nouvelle tentative sera effectuée toutes les 30 min, jusqu'à un maximum de 48 fois (= 24 h).

Si toutes ces tentatives échouent, une nouvelle sera effectuée toutes les 24 heures.

Le dispositif sort automatiquement de l'alarme de fonctionnement à sec si un débit et/ou une pression sont constatés.

Si l'alarme est acquittée, voir 9.2.3, une nouvelle tentative sera effectuée pendant 40 sec.

Éliminer les causes et restaurer l'alarme, voir 9.2.3.

9.2.8 Protection contre les pertes (ANTI-LEAKAGE)

La fonction peut être activée ou désactivée, en sortie d'usine elle est désactivée. Lorsqu'elle est activée, si la condition de la pompe se déclenchant plus de 6 fois en 2 minutes se vérifie, celle-ci sera arrêtée et l'erreur à travers la LED rouge "clignotant lentement" sur « **ALARM** » est indiquée.

Éliminer les causes et acquitter l'alarme, voir 9.2.3. (Pour la procédure d'activation, voir Anti-leakage. partie B- MODE)

9.2.9 Max pump on

Durée de fonctionnement maximum. La fonction peut être activée ou désactivée. En sortie d'usine, elle est désactivée.

Lorsqu'elle est activée, si la condition de la pompe fonctionnant pendant plus de 30 minutes se vérifie, celle-ci sera arrêtée, on pourra noter un clignotement d'ALARM.

Cette fonction est utilisée pour protéger l'installation dans le cas d'un oubli accidentel de robinet ouvert, dans le cas d'une rupture de tuyauterie aval ou dans les applications d'arrosage. (la durée de 30 min n'est pas modifiable).

9.2.10 Alarme capteur de pression

Le dispositif entre en alarme "capteur de pression" si la valeur de pression est au-delà de l'échelle opérationnelle (0-15 bars). La pompe est éteinte, l'erreur sera restaurée dès que les conditions de pression rentreront dans l'échelle.

9.3 Premier démarrage

9.3.1 Test sur les LEDs

Au premier démarrage ou dans tous les cas après avoir inséré la fiche de courant, le test sur les 20 LEDs est effectué, de quelques secondes pendant lesquelles toutes les LEDs s'allumeront en séquence.

9.3.2 Premier amorçage

La pompe sera automatiquement en modalité **AUTO** et réglée sur **ON**.

Trois comportements peuvent se présenter:

- 1) Débit présent mais pression basse: elle sort de la phase d'amorçage et commence le fonctionnement normal.
- 2) Pression mais pas de débit : après 10 sec. pendant lesquelles cette condition continue, la pompe s'éteindra.
- 3) Aucun débit ni pression: la pompe s'éteint et une erreur de "Fonctionnement à sec" s'affiche, après environ 3 minutes, signalé par la LED rouge allumée dans SET-ALARM. Éliminer la cause et acquitter l'alarme, voir 9.2.3.

9.4 Opérations normales avec CUT-OUT désactivé (en sortie d'usine)

Cut-out désactivé signifie que nous avons les comportements suivants:

- La pompe fonctionne si un débit est présent ou par pression faible : pression inférieure au CUT-IN (en 10 mn).
- La pompe est arrêtée si la condition de pression présente subsiste mais que le débit est absent en continu pendant 10 s. (débit absent = vanne fermée au refoulement).

La LED CUT OUT sera éteinte pendant le fonctionnement normal. Pour la modification du réglage voir 9.1.1.B.

9.5 Opérations normales avec CUT-OUT activé

Cut-out activé signifie que nous avons les comportements suivants:

- La pompe est activée si la pression est inférieure à la pression de CUT-IN.
- La pompe est arrêtée si la pression est supérieure à la pression de CUT-OUT.

La LED CUT OUT sera allumée pendant le fonctionnement normal. Pour la modification du réglage voir 9.1.1.B.

10. PRÉCAUTIONS

DANGER DE GEL: lorsque la pompe reste inactive à une température inférieure à 0 °C, il faut s'assurer qu'il n'y ait pas de résidus d'eau qui en gelant peuvent créer des fêlures des pièces en plastique. Si la pompe a été utilisée avec des substances qui tendent à se déposer, rincer après l'utilisation à l'aide d'un puissant jet d'eau pour éviter la formation de dépôts ou d'incrustations qui auraient tendance à réduire les caractéristiques de la pompe ou l'endommager (ex: blocage des capteurs ...).

11. ENTRETIEN ET LAVAGE

L'électropompe, dans le fonctionnement normal, ne demande aucune maintenance particulière sauf le contrôle d'absence de fuites, de coulures et le nettoyage. Dans tous les cas, toutes les interventions de réparation et de maintenance ne doivent être effectuées qu'après avoir débranché la pompe. Lorsque vous faites repartir la pompe, assurez-vous qu'elle ait été remontée en bonne et due forme, pour ne pas créer de danger aux choses ou aux personnes.

11.1 Nettoyage du filtre d'aspiration (Fig. 3)

- Déconnecter l'alimentation électrique de la pompe.
- Purger la pompe, en ouvrant le bouchon de vidange (6), en ayant d'abord fermé les vannes en amont (si présentes).
- Dévisser le bouchon du filtre à la main ou avec la clé fournie.
- Extraire depuis le haut l'unité du filtre.
- Rincer la cartouche sous l'eau courante et nettoyer le tamis filtrant avec une brosse souple.
- Remonter le filtre en effectuant les opérations en sens inverse.

11.2 Nettoyage du clapet anti-retour NRV (non return valve) (Fig. 4)

- Déconnecter l'alimentation électrique de la pompe.
- Retirer le bouchon du clapet anti-retour NRV (5) avec la clé fournie.
- Retirer le clapet anti-retour NRV et nettoyer les éventuelles saletés.
- Remonter le clapet en effectuant les opérations en sens inverse.

12. RECHERCHE PANNES



Avant de commencer la recherche des pannes, il faut interrompre l'alimentation électrique de la pompe (retirer la fiche de la prise). Si le câble d'alimentation ou un composant électrique quelconque de la pompe sont abîmés, la réparation ou le remplacement de la pièce doivent être effectués par le Constructeur ou par son service après-vente, ou bien par une personne ayant une qualification équivalente de manière à prévenir tout risque.

INCONVÉNIENTS	VÉRIFICATION (causes possibles)	REMÈDES
1. Le moteur ne démarre pas et ne fait pas de bruit.	A. Vérifier les connexions électriques. B. Vérifier que le moteur est sous tension. C. Vérifier les fusibles de protection. D. Intervention possible de la protection thermique.	C. S'ils sont grillés, les remplacer. D. Attendre environ 20 minutes que le moteur se soit refroidi. Vérifier la cause et l'éliminer. N.B.: la répétition immédiate éventuelle du problème signifie que le moteur est en court-circuit.

2. Le moteur ne démarre pas mais fait du bruit.	A. S'assurer que la tension du secteur correspond à celle de la plaque. B. Rechercher les raisons possibles d'un blocage de la pompe ou du moteur. C. Vérifier que l'arbre ne soit pas bloqué. D. Vérifier l'état du condensateur.	B. Eliminer les obstructions. C. Agir avec la clé fournie pour dévisser le capuchon et avec un tournevis débloquer l'arbre.(voir page suivante). D. Remplacer le condensateur.
3. La pompe tourne avec difficulté.	A. S'assurer que la tension d'alimentation est suffisante. B. Vérifier les frottements entre parties mobiles et parties fixes.	B. Eliminer la cause du frottement.
4. La pompe ne refoule pas.	A. La pompe n'a pas été amorcée correctement. B. Tuyau d'aspiration avec diamètre insuffisant. C. Clapet anti-retour NRV ou filtre obstrués.	A. Remplir la pompe d'eau, et effectuer l'amorçage, en faisant attention à faire sortir l'air en dévissant le bouchon de purge d'air. B. Remplacer le tuyau avec un autre de diamètre supérieur. C. Nettoyer le filtre, ainsi que le clapet anti-retour NRV si besoin.
5. La pompe ne s'amorce pas.	A. Aspiration d'air à travers le tuyau d'aspiration. B. La pente négative du tuyau d'aspiration favorise la formation de poches d'air.	A. Éliminer le phénomène, en contrôlant l'étanchéité des branchements et la tuyauterie d'aspiration, et répéter l'opération d'amorçage. B. Corriger l'inclinaison du tuyau d'aspiration.
6. La pompe refoule à un débit insuffisant.	A. Le tuyau d'aspiration est obstrué. B. La roue est usée ou bouchée, ou le filtre est colmaté. C. Tuyau d'aspiration avec diamètre insuffisant.	A. Nettoyer le tuyau d'aspiration. B. Eliminer les obstructions et remplacer les pièces usées. C. Remplacer le tuyau avec un autre de diamètre supérieur.
7. La pompe vibre et a un fonctionnement bruyant.	A. Vérifier que la pompe et les tuyaux sont bien fixés. B. Il y a cavitation dans la pompe, c'est-à-dire que la demande d'eau dépasse ce que la pompe parvient à pomper. C. La pompe fonctionne au-delà des limites indiquées sur la notice.	A. Fixer avec plus de soin les parties desserrées. B. Réduire la hauteur d'aspiration ou contrôler les pertes de charge. C. Il peut être utile de limiter le débit en refoulement.

13. GARANTIE



Toute modification non autorisée au préalable dégage le constructeur de tout type de responsabilité. Toutes les pièces de rechange utilisées dans les réparations doivent être originales et tous les accessoires doivent être autorisés par le constructeur de manière à pouvoir garantir le maximum de sécurité des machines et des installations sur lesquelles ils peuvent être montés.

Ce produit est couvert par une garantie légale (dans la Communauté européenne pendant 24 mois à partir de la date d'achat) concernant tous les défauts imputables à des vices de fabrication ou de matériau utilisé.

Le produit en garantie pourra être, à discrétion, soit remplacé par un nouveau en parfait état de fonctionnement ou réparé gratuitement si les conditions suivantes sont observées:

- Le produit a été utilisé correctement et conformément aux instructions et qu'aucune tentative de réparation n'ait été effectuée par l'acheteur ou par des tiers.
- Le produit a été remis au point de vente d'achat, avec la documentation qui atteste l'achat (facture ou ticket fiscal) et une brève description du problème rencontré.

La roue et les pièces sujettes à l'usure ne sont pas concernées par la garantie. L'intervention sous garantie n'étend en aucun cas la durée initiale.

ÍNDICE

1. APLICACIONES.....	34
2. LÍQUIDOS QUE SE PUEDEN BOMBLEAR	35
3. DATOS TÉCNICOS Y LÍMITES DE USO	35
4. GESTIÓN	35
4.1 Almacenaje.....	35
4.2 Transporte.....	35
4.3 Peso y medidas.....	35
5. ADVERTENCIAS	35
6. INSTALACIÓN	36
7. CONEXIÓN ELÉCTRICA	36
8. PUESTA EN MARCHA	36
9. INTERFAZ ELECTRÓNICA DE GESTIÓN.....	37
9.1 Características generales.....	37
9.1.1 Descripción de la pantalla:.....	37
9.2 Descripción de las funciones.....	38
9.2.1 Bomba ON/OFF (AUTO MODE, MANUAL MODE).....	38
9.2.2 Etapa de cebado.....	39
9.2.3 Reajuste de las alarmas	39
9.2.4 Indicación de tensión ON/OFF	39
9.2.5 Indicación de bomba On/off.....	39
9.2.6 Indicación Alarmas.....	39
9.2.7 Protección contra el Funcionamiento en seco (Dry running protection)	39
9.2.8 Protección contra las fugas (ANTI-LEAKAGE).....	39
9.2.9 Max pump on	39
9.2.10 Alarma sensor de presión.....	39
9.3 Primer arranque	39
9.3.1 Test de los LED	39
9.3.2 Primer cebado.....	39
9.4 Operaciones normales con CUT-OUT inhabilitado (de fábrica).....	40
9.5 Operaciones normales con CUT-OUT habilitado.....	40
10. PRECAUCIONES.....	40
11. MANTENIMIENTO Y LIMPIEZA	40
11.1 Limpieza del filtro de aspiración	40
11.2 Limpieza de la válvula antirretorno (VA).....	40
12. BÚSQUEDA DE AVERÍAS	40
13. GARANTÍA.....	41

ADVERTENCIAS



Antes de proceder con la instalación, leer detenidamente esta documentación:



Antes de cada operación, desconectar la clavija. Está prohibido hacer funcionar la bomba en seco.



Proteger la electrobomba contra la intemperie.



No se pueden utilizar estas bombas en piscinas, estanques ni embalses con presencia de personas, y tampoco para bombear hidrocarburos (gasolina, gasóleo, aceites combustibles, disolventes, etc.), según las normas de prevención de accidentes vigentes en materia. No han sido diseñadas para un uso continuo, sino para los casos de emergencia durante un período limitado. Antes de guardarlas se recomienda limpiarlas. Ver el capítulo “Mantenimiento y Limpieza”.

1. APLICACIONES

Bombas centrífugas con autocebado de chorro, con una gran capacidad de aspiración incluso con agua con gas. Indicadas especialmente para la alimentación hídrica y presurización en casas de campo. Adecuadas para la pequeña agricultura de huertos y jardines, situaciones de emergencia domésticas y bricolaje en general. Gracias a su forma compacta y maniobrable, se utilizan como bombas portátiles para casos de emergencia, tales como la aspiración de agua de depósitos o ríos.

En caso de producto provisto de wifi, consultar la guía rápida.



No se pueden utilizar estas bombas en piscinas, estanques ni embalses con presencia de personas, y tampoco para bombear hidrocarburos (gasolina, gasóleo, aceites combustibles, disolventes, etc.), según las normas de prevención de accidentes vigentes en materia. Antes de guardarlas se recomienda limpiarlas. Ver el capítulo "Mantenimiento y Limpieza".

2. LÍQUIDOS QUE SE PUEDEN BOMBEAR

Limpio, sin cuerpos sólidos o abrasivos, no agresivo.

Aguas frescas	●
Agua de lluvia (filtrada)	●
Aguas claras residuales	○
Aguas sucias	○
Agua de fuente (filtrada)	●
Agua de río o lago (filtrada)	●
Agua potable	●

Tabla 1

- Apto
- No apto

3. DATOS TÉCNICOS Y LÍMITES DE USO

- Tensión de alimentación: 220-240V ver placa de datos eléctricos.
- Fusibles de línea retardados (versión 220-240V): valores indicativos (Amperios).
- Temperatura de almacenaje: -10°C +40°C

Modelo	Fusibles de línea 220-240V 50Hz
P1= 850	4
P1= 1100	6
P1= 640	4
P1= 920	6

Tabla 2

	Modelo	P1=850	P1=1100	P1=640	P1=920
Datos eléctricos	P1 Potencia absorbida Nominal [W]	850	1100	640	920
	P2 [W]	600	750	380	560
	Voltaje de red [V]	1~220-240 AC			
	Frecuencia de red [Hz]	50			
	Corriente [A]	3.88	4.58	3.10	4.20
	Condensador [µF]	12.5	16	16	12.5
	Condensador [Vc]	450			
Datos hidráulicos	Caudal máx. [l/h]	3180	3750	3600	4800
	Altura de elevación máx. [m]	43	45	32	40
	Altura de elevación máx. [bar]	4.3	4.5	3.2	4.0
	Presión máx. [bar]	6			
	Profundidad máx. de aspiración [m/min]	8m / <3min		6m / < 3min	
Campo de utilización	Long. cable de alimentación [m]	1.5			
	Tipo de cable	H07 RNF			
	Grado de protección del motor	IP X4			
	Clase de aislamiento	F			
	Rango de temperatura del líquido [°C] de acuerdo con la Norma EN 60335-2-41 para uso doméstico	0 °C / +35 °C			
	Tamaño máx. de las partículas	agua limpia			
	Temperatura ambiente máx. [°C]	+40 °C			
Peso	DNM GAS	1" M			
	Peso Neto/Bruto aprox. [kg]	9.6/11.8	10.3/12.5	10.1/12.1	10.9/12.9

Tabla 3



La bomba no puede soportar el peso de las tuberías, que deberán estar apoyadas de manera diferente.

4. GESTIÓN

4.1 Almacenaje

Todas las bombas deben almacenarse en un lugar cubierto, seco y con un porcentaje de humedad lo más constante posible, libre de vibraciones y de polvo. Las bombas se entregan dentro de su embalaje original en el que deben conservarse hasta el momento de la instalación.

4.2 Transporte

Evitar someter los productos a golpes y choques inútiles.

4.3 Peso y medidas

En la placa adhesiva aplicada en el embalaje se indican el peso total de la electrobomba y sus medidas.

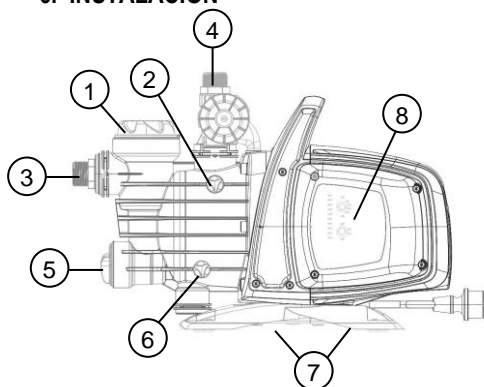
5. ADVERTENCIAS



Las bombas nunca se deben transportar, levantar o hacer funcionar en forma suspendida utilizando el cable de alimentación; utilizar el asa respectivo.

- La bomba no deberá nunca funcionar en seco.
- Se recomienda abrir/cerrar los tapones de venteo/descarga (2 y 6) sin aplicar una fuerza excesiva.

6. INSTALACIÓN



1. Prefiltro
2. Tapón de purga
3. Conexión de aspiración orientable
4. Conexión de impulsión
5. Válvula antirretorno integrada
6. Tapón de descarga
7. Pies de apoyo de goma antivibrantes
8. Interfaz electrónica de gestión

La electrobomba debe instalarse en un lugar protegido contra la intemperie y con una temperatura ambiente que no supere 40 °C. La bomba incorpora pies de apoyo antivibrantes, pero en el caso de instalaciones fijas es posible desmontarlos y fijar la base de apoyo (7). Las tuberías no deben forzar excesivamente las bocas de la bomba (3) y (4) para no crear deformaciones ni roturas.

Se considera una buena norma colocar la bomba lo más cerca posible del líquido a bombear.

Hay que instalar la bomba sólo en posición horizontal.

Las tuberías nunca deben tener el diámetro interior inferior al de las bocas de la electrobomba; la bomba incorpora en la parte de aspiración un filtro (1) y una Válvula Antirretorno (VA) (5).

Para una aspiración que sobrepase los cuatro metros o con recorridos grandes en horizontal, se aconseja utilizar un tubo de aspiración cuyo diámetro sea mayor que el de la boca de aspiración de la bomba. Para que no se formen bolsas de aire en el tubo de aspiración, hay que crear una ligera inclinación positiva del tubo de aspiración hacia la electrobomba. Fig.2

Si la tubería de aspiración fuera de goma o de material flexible, compruebe que el tubo sea reforzado y resistente al vacío para evitar estrechamientos por efecto de la aspiración.

En caso de instalación fija, se recomienda instalar una válvula de cierre en el lado de aspiración y otra en el lado de impulsión. Esto permite cerrar la tubería aguas arriba y/o aguas abajo de la bomba y sirve para realizar los trabajos de mantenimiento y limpieza o para los periodos en los que no se utiliza la bomba.

La bomba incorpora una entrada rotatorias para facilitar la instalación (3) y (4).

En el caso de mangueras, si fuera necesario utilice una curva (fig.1) y el juego de jardinería compuesto por una manguera de PE y un juego de racores con lanza, no suministrado pero se pueden comprar por separado.

En presencia de suciedad de tamaño muy pequeño se recomienda utilizar, además del filtro incorporado (1), un filtro de entrada de la bomba montado en el tubo de aspiración.

- No someta el motor a excesivos arranques por hora, se recomienda estrictamente no superar los 20 arranques por hora.



El diámetro del tubo de aspiración debe ser mayor o igual que el diámetro de la boca de la electrobomba, véase la Tabla 3.

7. CONEXIÓN ELÉCTRICA



Comprobar que la tensión de la red corresponda a la indicada en la placa del motor a alimentar, Y QUE SEA POSIBLE REALIZAR UNA BUENA CONEXIÓN DE TIERRA. **Atenerse a las indicaciones dadas en la placa de datos técnicos y en la tabla 3 de este manual.**

La longitud del cable de alimentación de la bomba limita la distancia de instalación; si se necesitara una extensión, asegúrese de que la misma sea del mismo tipo (ej. H05 RN-F o H07 RN-F según la instalación) véase la tab.3.

8. PUESTA EN MARCHA



No ponga en marcha la bomba sin haberla llenado por completo de líquido, alrededor de 4 litros, hasta que salga por el tapón de purga del aire (2).

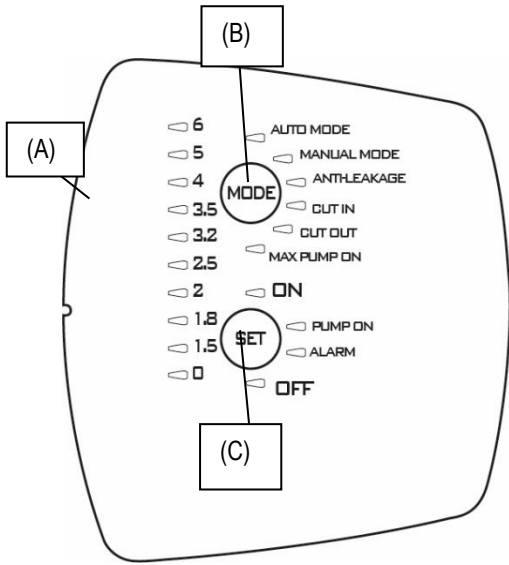
Si el agua se terminara, desenchufe inmediatamente la clavija para apagar la bomba. No haga funcionar la bomba en seco.

1. Antes del arranque compruebe que la bomba esté bien cebada llenándola por completo con agua limpia a través del agujero correspondiente, después de quitar el tapón de llenado del filtro transparente (1), con las manos o con la herramienta adecuada suministrada. Abra simultáneamente el tapón de purga (2) para que salga el aire. Esta operación es de importancia básica para que la bomba trabaje bien y además es indispensable para lubricar bien la junta estanca mecánica. Esta se estropea irremediamente si la bomba funciona en seco.
2. Enrosque el tapón de llenado (1) y el tapón de purga (2) hasta el tope.
3. Conecte la clavija del cable de alimentación a un tomacorriente de 220-240V. **¡Atención!** El motor de la bomba se pondrá en marcha inmediatamente, el agua comenzará a salir transcurridos 3 minutos como máximo, en función de la profundidad del nivel de agua en el pozo o tanque.
4. La bomba seguirá funcionando y bombeando agua. **¡Atención!** No haga funcionar la bomba en seco.
5. Para apagar la bomba, desenchufe la clavija del cable de alimentación.



En caso de problemas con el cebado, repita la operación hasta haber eliminado completamente el aire de la aspiración.

9. INTERFAZ ELECTRÓNICA DE GESTIÓN



9.1 Características generales

Descripción	Parámetros
Tensión, frecuencia tarjeta	1x220-240V, 50/60 Hz
Indicación tensión on/off	●
Indicación motor on/off	●
Indicación Alarmas	●
Indicación Presión	●
Indicación Mode	●
Auto Mode	●
Manual Mode	○
Protección contra el funcionamiento en seco	●
Protección contra las fugas	○
Protección Max pump on	○ (30 minutos)
Presión Cut-in	○ Variable (1,5 – 3,0 bar)
Presión Cut-out	○ (Cut-in + 1 bar)
Cebado automático	●
Botones selección	●

● = Fijo; ○ = Seleccionable

9.1.1 Descripción de la pantalla:

(A) LED indicadores de presión

Para indicar la presión desde 0 hasta 6 bar se utilizan 10 LED, que se encenderán o apagarán cuando cambia la presión en el sistema.

Función	Configuración pantalla	Set	Reajuste Alarma
Auto Mode		ON: habilitado OFF: inhabilitado	
Manual mode		ON: habilitado OFF: inhabilitado	
Anti-leakage		ON: habilitado OFF: inhabilitado	Pulse SET
Cut in		Aumenta/Disminuye	
Cut out		Aumenta/Disminuye OFF: inhabilitado	
Max pump on		ON: habilitado OFF: inhabilitado	Pulse SET

(B) Botón de selección MODE

Modos que se pueden seleccionar:

- | | |
|-------------------|-----------------|
| 1) AUTO_MODE; | 4) CUT_IN; |
| 2) MANUAL_MODE; | 5) CUT_OUT, |
| 3) ANTI LEACKAGE; | 6) MAX_PUMP_ON; |

Para desbloquear la elección de las funcionalidades en “MODE” pulse el botón “MODE” durante 5 segundos.

Pulse “MODE” para hacer correr los diferentes modos de funcionamiento (AUTO_MODE o MANUAL_MODE) o los parámetros que se deben modificar (CUT IN y CUT OUT) o para habilitar algunas funciones (ANTI-LEAKAGE y MAX PUMP ON). A medida que pase por los diferentes modos, el LED de la función seleccionada destellará. Al volver a AUTO_MODE las funciones activas estarán indicadas con el LED correspondiente encendido con luz fija. Véase el apartado 2 (Descripción de las funciones).

Indicadores en “MODE”

AUTO MODE: la bomba funcionará en modo automático, véase 9.2.1.

MANUAL MODE: la bomba funcionará en modo manual, véase 9.2.1, el usuario deberá decidir cuándo encenderla o apagarla con el botón “SET”. SET-ON encendida SET-OFF apagada.

CUT-IN: configuración de la presión (siempre habilitado); es la presión mínima por debajo de la cual se activa la bomba, se configura entre 1,5 y 3,0 bar, de fábrica sale configurado en 1.8 bar; la bomba también se activa si el flujo es inferior a un valor mínimo de 1,5 l/min configurado en fábrica.

CUT-OUT: configuración de la presión (inhabilitado) es la presión que al superarse la bomba se detiene, de fábrica sale configurado en “CUT-IN” + 1 LED, pero se puede aumentar hasta 3.5 bar (50.8 psi).

Para habilitarlo seleccione la función pulsando “MODE” hasta que destelle el LED correspondiente a CUT-OUT, posteriormente pulse:

- 1) pulsar SET **durante 10 segundos** para desbloquear la función (llegados a este punto, se habrán encendido las luces LED en los valores de presión),
- 2) pulsar SET para seleccionar el valor deseado,
- 3) para deshabilitar la función, posicionar el valor de cut-out en 0 [bar o psi],
- 4) salir de la configuración pulsando MODE.

NOTA: el valor de CUT-OUT SOLO se puede modificar después de desbloquear la función pulsando la tecla SET durante 10 segundos. Después de 1 segundo sin haber pulsado ningún botón, la función volverá a bloquearse.

ANTI-LEAKAGE: protección contra las fugas. La función puede habilitarse o inhabilitarse. Sale de fábrica inhabilitada. Cuando está habilitada, si la bomba se pone en marcha más de 6 veces en 2 minutos, se detendrá y el error será indicado por el destello lento del LED rojo en “ALARM”.

Para habilitarla, seleccione la función pulsando “MODE” hasta que destelle el LED correspondiente, posteriormente pulse SET hasta que se encienda el LED “ON”. Para inhabilitarla, pulse “SET” hasta que la luz encendida indique OFF.

Tras haber solucionado el problema, reajuste la alarma si estuviera activa, véase 9.2.3.

MAX PUMP ON: período de funcionamiento máximo. La función puede habilitarse o inhabilitarse. Sale de fábrica inhabilitada. Cuando está habilitada, si la bomba funcionara durante más de 30 minutos, se detendrá y no aparecerá ninguna indicación de error.

Esta función se utiliza para proteger el sistema en el caso de que quede un grifo abierto, se rompa una tubería o cuando la bomba se utiliza para riego.

Para habilitarla, seleccione la función pulsando “MODE” hasta que se encienda el LED correspondiente a la función MAX PUMP ON, posteriormente pulse SET hasta que se encienda el LED “ON”. Para inhabilitarla, pulse “SET” hasta que la luz encendida indique OFF.

(C) Botón de selección SET

Modos que se pueden seleccionar:

- 1) Reajuste Alarmas.
- 2) Habilitar/inhabilitar en MODE (MAX_PUMP_ON, ANTILEACKAGE).
- 3) Aumentar parámetros en MODE (CUT_IN; CUT_OUT).
- 4) Motor ON/OFF en MANUAL MODE.
- 5) Bomba activa/bomba en standby en AUTO MODE.

Pulse “SET” para modificar los parámetros, si el LED estuviera encendido en MODE-CUT IN o MODE-CUT OUT, el valor aparecerá en la barra de LED que indica la presión. Para aumentar el valor, pulse “SET”. Tras haber ajustado el valor deseado, salga de la modificación pulsando “MODE” y coloque el LED en MODE-AUTO y SET “ON” habilitado.

Pulse también SET para habilitar/inhabilitar las funciones Anti-leakage y Max pump On. Tras haber seleccionado la función con el botón “MODE”, habilítela seleccionando SET-ON, para inhabilitarla seleccione SET-OFF.

En el modo “MANUAL” el botón SET sirve para encender o apagar la bomba, LED encendido en “On” o en “OFF”.

En el modo automático AUTO-MODE sirve para habilitar “ON” o poner el sistema en standby “OFF”.

PUMP ON: esta indicación coincide con el motor en marcha.

9.2 Descripción de las funciones

9.2.1 Bomba ON/OFF (AUTO MODE, MANUAL MODE)

Cut out inhabilitado → Cuando se conecta la clavija después del test de los LED, la bomba se enciende durante 10 segundos.

Cut out habilitado → Tras haber conectado la clavija, se ejecuta el test de los LED durante los primeros 3 segundos (el encendido del LED 0 indica que llega la tensión) y se ajusta por defecto el modo **"AUTO MODE"** con el encendido del indicador luminoso **"ON"**. La bomba empezará a funcionar si la presión es inferior al valor de CUT-IN y el flujo es inferior al caudal mínimo de cut-in. La bomba seguirá funcionando hasta que la presión sea inferior al valor de CUT-OUT; al llegar a dicho valor, se apagará independientemente del flujo.

Si se seleccionara el modo **"MANUAL MODE"**, pulsando una vez el botón **"MODE"**, la bomba se pondrá en marcha si el LED **"ON"** está encendido; en caso contrario, pulsando **"SET"**, la bomba se apagará y se encenderá el LED **"OFF"**.

Cuando la bomba comience a funcionar, se colocará en el modo CEBADO.

Nota: asegúrese de haber respetado las instrucciones para la instalación y que la bomba haya sido llenada completamente de agua.

9.2.2 Etapa de cebado

Cuando la bomba comience a funcionar se colocará en el modo de cebado; durante esta etapa, si no detectara ningún flujo ni presión, mantendrá el motor encendido durante 3 minutos y luego se activará la alarma de funcionamiento en seco. Por el contrario, si en dicho intervalo de tiempo detectara un flujo o presión, se ejecutará el cebado y la bomba funcionará normalmente.

9.2.3 Reajuste de las alarmas

Cuando se active una alarma se encenderá el indicador luminoso rojo en **"ALARM"**. La alarma se reajusta pulsando una vez el botón **"SET"**; si se ha solucionado el motivo que ha generado la alarma, la bomba seguirá funcionando normalmente, en caso contrario la bomba se colocará en alarma.

9.2.4 Indicación de tensión ON/OFF

Si llegara tensión se encenderá el LED 0 de la barra de LED. Si no llegara la tensión dicho LED estará apagado.

Nota: para períodos de inactividad prolongados se recomienda cortar la corriente desenchufando la clavija.

9.2.5 Indicación de bomba On/off

Cuando el motor está funcionando, se encenderá una luz azul en **"PUMP ON"** que indica el funcionamiento. Cuando el motor se detiene, dicho LED se apagará.

9.2.6 Indicación Alarmas

Cuando se activa una alarma, se encenderá una luz fija o destellante en **"ALARM"**.

Funcionamiento en seco (Dry-running): luz roja fija.

Fuga (Leakage): destello lento.

Max Pump ON (la bomba funciona durante más de 30 minutos): 2 destellos rápidos con un intervalo de una pausa más prolongada.

Pulse **"SET"** para reajustar las alarmas.

9.2.7 Protección contra el Funcionamiento en seco (Dry running protection)

Si la bomba está funcionando en seco, después de algunos segundos (40 s) se detendrá y aparecerá una indicación de error mediante el indicador luminoso rojo fijo en **"ALARM"**.

Transcurridos los primeros 30 minutos con la bomba en estado de OFF, la bomba intentará de nuevo arrancar durante 5 minutos. Si no logrará hacerlo, intentará arrancar cada 30 minutos hasta un máximo de 48 veces. Si todas estas tentativas fallaran, ejecutará una tentativa de encendido cada 24 horas.

El dispositivo saldrá automáticamente de la alarma de Funcionamiento en seco si hubiera flujo y/o presión.

Si se reajustara la alarma, véase 9.2.3, se ejecutará una nueva tentativa durante 40 segundos.

Solucione los problemas y reajuste la alarma, véase 9.2.3.

9.2.8 Protección contra las fugas (ANTI-LEAKAGE).

La función puede habilitarse o inhabilitarse; sale de fábrica inhabilitada. Cuando está habilitada, si la bomba se pone en marcha más de 6 veces en 2 minutos, se detendrá y el error será indicado por el destello lento del LED rojo en **"ALARM"**.

Solucione los problemas y reajuste la alarma, véase 9.2.3.

Para el procedimiento de habilitación, véase Anti-leakage.

9.2.9 Max pump on

Período de funcionamiento máximo. La función puede habilitarse o inhabilitarse. Sale de fábrica inhabilitada. Cuando está habilitada, si la bomba funcionara durante más de 30 minutos, se detendrá y destellará el LED de ALARM.

Esta función se utiliza para proteger el sistema en el caso de que quede un grifo abierto, se rompa una tubería o cuando la bomba se utiliza para riego.

9.2.10 Alarma sensor de presión

El dispositivo se coloca en alarma sensor de presión si el valor de presión está fuera del rango de funcionamiento (0-15 bar). La bomba se apagará y el error se reajustará cuando las condiciones de presión estén dentro del rango.

9.3 Primer arranque

9.3.1 Test de los LED

La primera vez que se encienda la bomba o después de haber conectado la clavija, se ejecutará el Test de los 20 LED, que durará algunos segundos durante los cuales todos los LED se encenderán en secuencia.

9.3.2 Primer cebado

La bomba estará automáticamente en modo **AUTO** y ajustada en **ON**.

Podrían presentarse tres situaciones:

- 1) hay flujo pero la presión es baja: sale de la etapa de cebado y comienza a funcionar normalmente;
- 2) hay presión pero no hay flujo: después de 10 segundos de estar en esta situación, la bomba se apagará;

- 3) no hay flujo ni presión: la bomba se apagará y aparecerá un error de Funcionamiento en seco después de unos 3 minutos, señalando el problema con el LED rojo encendido en SET-ALARM. Solucione los problemas y reajuste la alarma, véase 9.2.3.

9.4 Operaciones normales con CUT-OUT inhabilitado (de fábrica)

Cut-out inhabilitado significa que se presentan las siguientes situaciones:

- la bomba se activa si hay flujo o por ausencia de presión, presión inferior al CUT-IN (en 10 ms);
- la bomba se detiene si hay presión pero no hay flujo durante 10 segundos en continuación.

El LED CUT-OUT estará apagado durante el funcionamiento normal. Para modificar la configuración, véase 9.1.1.B.

9.5 Operaciones normales con CUT-OUT habilitado

Cut-out habilitado significa que se presentan las siguientes situaciones:

- la bomba se activa si la presión es inferior a la presión de CUT-IN;
- la bomba se detiene si la presión es superior a la presión de CUT-OUT.

El LED CUT-OUT estará encendido durante el funcionamiento normal. Para modificar la configuración, véase 9.1.1.B.

10. PRECAUCIONES

PELIGRO DE CONGELACIÓN: cuando la bomba queda inactiva con una temperatura bajo 0 °C, es necesario asegurarse de que no queden residuos de agua porque al congelarse pueden agrietar las piezas de plásticos.

Si la bomba ha sido utilizada con sustancias que tienden a depositarse o con agua con cloro, enjuagarla después del uso con un chorro de agua fuerte para que no se formen depósitos o incrustaciones que podrían reducir las características de la bomba.

11. MANTENIMIENTO Y LIMPIEZA

Durante el funcionamiento normal la electrobomba no requiere ningún mantenimiento. De cualquier modo, todas las operaciones de reparación y mantenimiento se deberán ejecutar únicamente tras desconectar la bomba de la red de alimentación. Cuando arranque la bomba, controle que todo esté montado correctamente para que no sea peligroso para las personas o bienes.

11.1 Limpieza del filtro de aspiración (Fig. 3)

- Deshabilitar la alimentación eléctrica de la bomba.
- Vacíe la bomba cerrando las válvulas de compuerta montadas aguas arriba (en su caso) y abriendo el tapón de desagüe (6).
- Desenrosque la tapa de la cámara del filtro, con las manos o con la herramienta suministrada.
- Extraiga la unidad de filtro desde arriba.
- Enjuague el recipiente con agua corriente y limpie el filtro con un cepillo suave.

11.2 Limpieza de la válvula antirretorno (VA) (Fig. 4)

- Deshabilitar la alimentación eléctrica de la bomba.
- Quite el tapón de la válvula VA (5) con la herramienta suministrada de serie.
- Quite la válvula antirretorno VA y límpiela si estuviera sucia.
- Ensamble las piezas en el orden inverso a la secuencia de desmontaje.

12. BÚSQUEDA DE AVERÍAS



Antes de comenzar a buscar los desperfectos, corte la conexión eléctrica de la bomba (desenchúfela). Si el cable de alimentación o alguna pieza eléctrica de la bomba estuvieran averiados, la reparación o sustitución deben ser llevados a cabo por el Fabricante o por su servicio de asistencia técnica o bien por personal cualificado, para prevenir cualquier riesgo.

ANOMALIAS	CONTROLES (causas posibles)	REMEDIOS
1. El motor no arranca y no hace ruidos.	A. Verificar las conexiones eléctricas. B. Verificar que el motor esté bajo tensión. C. Verificar los fusibles de protección. D. Posible activación de la protección térmica.	C. Cambiarlos si están quemados. D. Espere unos 20 minutos para que el motor se enfríe. Compruebe la causa que ha determinado el inconveniente y solucione el problema. Nota: Si se estropearan repetidamente, esto quiere que el motor está en cortocircuito.
2. El motor no arranca pero produce ruidos.	A. Comprobar que la tensión eléctrica corresponda a la de la placa. B. Buscar posibles obstrucciones de la bomba o del motor. C. Compruebe que el eje no esté bloqueado. D. Controlar el estado del condensador.	B. Quitar los obstáculos. C. Utilice la herramienta suministrada para desenroscar la tapa y desbloquee el eje con un destornillador. D. Sustituir el condensador.

ESPAÑOL

3. El motor no gira bien.	A. Asegúrese que la tensión de alimentación sea suficiente. B. Controlar que no rocen las partes móviles con las fijas.	B. Eliminar las causas de esto.
4. La bomba no suministra.	A. La bomba no ha sido cebada bien. B. Tubo de aspiración con diámetro insuficiente. C. La válvula antirretorno VA o el filtro están atascados.	A. Rellene con agua la bomba y cébela desenroscando el tapón de purga para que salga el aire. B. Sustituir el tubo con uno de mayor diámetro. C. Limpie el filtro y, si no fuera suficiente, limpie la válvula VA.
5. La bomba no ceba o se enseba.	A. Aspiración de aire por el tubo de aspiración. B. La inclinación negativa del tubo de aspiración favorece la formación de bolsas de aire.	A. Solucione el problema controlando la estanqueidad de las conexiones y la tubería de aspiración y repita la operación de cebado. B. Corregir la inclinación del tubo de aspiración.
6. La bomba suministra un caudal insuficiente.	A. El tubo de aspiración está atascado. B. El rodete está desgastado u obstruido. C. Tuberías de aspiración con diámetro insuficiente.	A. Limpie el tubo de aspiración. B. Sacar los obstáculos o sustituir las piezas desgastadas. C. Sustituir la tubería con una de mayor diámetro.
7. La bomba vibra y funciona haciendo ruido.	A. Verificar que la bomba y las tuberías están bien sujetadas. B. La bomba cavita, es decir, se le requiere más agua de la que puede bombear. C. La bomba trabaja sobrepasando los datos de la placa.	A. Fijar bien las partes flojas. B. Reducir la altura de aspiración o controlar las pérdidas de carga. C. Pueda ser útil limitar el caudal de impulsión.

13. GARANTÍA



Cualquier modificación no autorizada previamente exime al fabricante de toda responsabilidad. Todas las piezas de recambio utilizadas en las reparaciones deberán ser originales y todos los accesorios estará autorizados por el fabricante, con el fin de garantizar la máxima seguridad de las máquinas y de las instalaciones en las que están montadas.

Este producto está amparado por una garantía legal (en la Comunidad Europea durante 24 meses a partir de la fecha de compra) contra todos los defectos debidos a vicios de fabricación o materiales utilizados.

El producto cubierto por la garantía podrá ser, a discreción del fabricante, sustituido por uno que funcione perfectamente o reparado de forma gratuita si se observan las siguientes condiciones:

- el producto haya sido utilizado adecuadamente y de acuerdo con las instrucciones y ni el comprador ni terceros hayan intentado repararlo;
- el producto haya sido entregado en la tienda donde se ha comprado, adjuntando el documento que acredite la compra (factura o recibo fiscal) y una breve descripción del problema.

El rotor y las piezas sujetas a desgaste no están amparados por garantía. La reparación bajo garantía no extiende por ningún motivo el período original.

СЪДЪРЖАНИЕ

1. ПРИЛОЖЕНИЯ	42
3. ТЕХНИЧЕСКИ ДАННИ И ОГРАНИЧЕНИЯ ЗА УПОТРЕБА	43
2. ТЕЧНОСТИ ЗА ИЗПОМПВАНЕ	43
4. СТОПАНИСВАНЕ	43
4.1 Съхранение	43
4.2 Транспорт	43
4.3 Тегло и размери	43
5. ПРЕДУПРЕЖДЕНИЯ	43
6. МОНТИРАНЕ	44
7. ЕЛЕКТРИЧЕСКО СВЪРЗВАНЕ	44
8. СТАРТИРАНЕ	44
9. ЕЛЕКТРОНЕН ИНТЕРФЕЙС ЗА УПРАВЛЕНИЕ	45
9.1 Обзор на характеристиките	45
9.1.1 Описание на дисплея:	45
9.2 Описание на функциите	47
9.2.1 Помпа ON/OFF (AUTO MODE, MANUAL MODE)	47
9.2.2 Фаза на заливане	47
9.2.3 Ресет аларми	47
9.2.4 Индикация on/off за напрежение	47
9.2.5 Индикация on/off за помпата	47
9.2.6 Индикация за алармите	47
9.2.7 Защита срещу сух старт (Dry running protection)	47
9.2.8 Защита срещу течове (ANTI-LEAKAGE)	47
9.2.9 Max pump on	47
9.2.10 Аларма на сензора за налягане	47
9.3 Първо стартиране	48
9.3.1 Тестване на светодиодите	48
9.3.2 Първо заливане	48
9.4 Нормални операции с деактивиран CUT-OUT (фабрично)	48
9.5 Нормални операции с активиран CUT-OUT	48
10. ПРЕДПАЗНИ МЕРКИ	48
11. ПОДДРЪЖКА И ПОЧИСТВАНЕ	48
11.1 Почистване на аспирационната решетка	48
11.2 Почистване на НВК	48
12. ОТКРИВАНЕ НА ПОВРЕДИ	48
13. ГАРАНЦИЯ	49

ПРЕДУПРЕЖДЕНИЯ



Преди да пристъпите към монтажа, прочетете внимателно цялата документация.



Преди всяка операция изваждайте щепсела. Никога не трябва да се допуска работа на сухо.



Предпазвайте помпата от неблагоприятните атмосферни условия.



Защита срещу претоварване. Помпата е окомплектована със защита срещу термично претоварване на двигателя. В случай на евентуално прегряване на двигателя, защитата изключва автоматично помпата. Времето за охлаждане е около 15-20 мин., след което помпата се включва отново автоматично. След задействането на защитата за двигателя е абсолютно необходимо да се потърси паричната и да се отстрани. Направете справка с "Откриване на повреди".

1. ПРИЛОЖЕНИЯ

Самозасмукваща центробежна помпа с отлични смукателна възможност и капацитет, дори когато има наличие на въздух. Много подходяща за водоснабдяване и подаване на вода под налягане в самостоятелни къщи. Подходящи са за малки зеленчукови градини и градини, за аварийно подаване на вода за бита и за свободното време като цяло. Благодарение на компактната си и лесна за работа форма намират и специално приложение като преносими помпи за аварийни ситуации, като например източване на вода от резервоари или реки. **При уред, снабден с Wifi, вижте бързото ръководство (quick guide).**



Тези помпи не могат да бъдат използвани в басейни, херметични съдове, басейни с наличие на налягане и/или за изпомпване на въгледороди (бензин, дизел, течни горива, разтворители и др.) съгласно

действащите разпоредби срещу злополуки. Преди да ги приберете за съхранение, е добре да предвидите почистването им. Виж глава "Поддръжка и почистване".

2. ТЕЧНОСТИ ЗА ИЗПОМПВАНЕ

Чиста, свободна от примеси или абразивни вещества, не агресивни вода.

Чиста вода	•
Дъждовна вода (филтрирана)	•
Нефекални отпадъчни води	○
Мръсна вода	○
Вода от фонтани (филтрирана)	•
Речни или езерни води (филтрирана)	•
Питейна вода	•

Таблица 1

- Подходяща
- Неподходяща

3. ТЕХНИЧЕСКИ ДАННИ И ОГРАНИЧЕНИЯ ЗА УПОТРЕБА

- **Захранващо напрежение:** 220-240V, виж идент.табела с електрическите данни.
- **Предпазители по линията с отложено действие (версия 220-240V):** примерни стойности (Ампери).
- **Температура на складиране:** -10°C +40°C.

P1= 850	4
P1= 1100	6
P1= 640	4
P1= 920	6

Таблица 2

	Модел	P1=850	P1=1100	P1=640	P1=920
Данни - електрическа част	P1 Номинална консумирана мощност [W]	850	1100	640	920
	P2 [W]	600	750	380	560
	Мрежово напрежение [V]	1~220-240 AC			
	Мрежова честота [Hz]	50			
	Ток [A]	3.88	4.58	3.10	4.20
	Кондензатор [µF]	12.5	16	16	12.5
	Кондензатор [Vc]	450			
Данни - хидравлична част	Макс. дебит [l/h]	3180	3750	3600	4800
	Макс. напор [m]	43	45	32	40
	Макс. напор [bar]	4.3	4.5	3.2	4.0
	Макс.налягане [bar]	6			
	Макс. дълбочина на засмукване [m/min]	8m / <3min		6m / <3min	
Сфера на приложение	Дълж. Захранващ кабел [m]	1.5			
	Вид кабел	H07 RNF			
	Степен на защита на двигателя	IP X4			
	Клас изолация	F			
	Температурен обхват на течността [°C] съгласно EN 60335-2-41 за битова употреба	0 °C / +35 °C			
	Макс. размер на частиците	чиста вода			
	Макс. температура на околната среда [°C]	+40 °C			
Тегло	DNM GAS	1" M			
	Тегло Нето/Бруто припл. [kg]	9.6/11.8	10.3/12.5	10.1/12.1	10.9/12.9

Таблица 3



Помпата не може да издържи тежестта на тръбите, която в противен случай трябва да се понесе.

4. СТОПАНИСВАНЕ

4.1 Съхранение

Всички помпи трябва да се съхраняват в закрито, сухо място, по възможност с постоянна влажност на въздуха, без вибрации и прах. Доставят се в оригинална опаковка, в която трябва да останат до момента на монтажа.

4.2 Транспорт

Избягвайте да подлагате продуктите на ненужни удари и сблъсъци.

4.3 Тегло и размери

Идентификационният стикер, поставен върху опаковката, съдържа указание за общото тегло на електрическата помпа и за нейните размери.

5. ПРЕДУПРЕЖДЕНИЯ

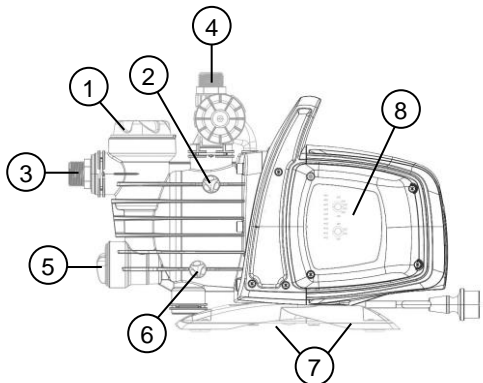


Помпите никога не трябва да се транспортират, повдигат или пускат в действие, окачени за захранващия кабел, използвайте специалната дръжка.

- Помпата никога не трябва да се оставя да работи на сухо.

- Препоръчва се да отваряте/затваряте изпускателните и дренажните тапи на помпата (2 и 6) без да използвате прекомерна сила.

6. МОНТИРАНЕ



- 1 Предварителен филтър
- 2 Изпускателна тапа
- 3 Ориентируема всмукателна връзка
- 4 Напорна връзка
- 5 Интегриран невъзвратен клапан
- 6 Тапа за източване
- 7 Гумени крачета срещу вибрации
- 8 Електронен интерфейс за управление

Електрическата помпа трябва да се инсталира на място, защитено от неблагоприятни атмосферни условия и температура на околната среда, не по-висока от 40°C. Помпата е снабдена с крачета срещу вибрации, но в случай на фиксирани монтаж и възможно да ги премахнете и да предвидите анкерно захващане на носещата основа (7). Избягвайте тръбите да предават извънредни усилия към отворите на помпата (3) и (4), за да не се създават деформации или счупвания.

Винаги е по-добре помпата да се монтира близо до захранването с вода.

Да се монтира само в хоризонтално положение.

Тръбите не трябва никога да имат вътрешен диаметър, по-малък от този на отворите на електрическата помпа и при всмукателната тръба помпата е снабдена с филтър (1) и невъзвратен клапан (НВК) (5).

При засмукване от дълбочина по-голяма от 4 м. или дълъг хоризонтален участък, се препоръчва допълнително монтиране на малък участък с диаметър по-голям от този на входа на помпата. За избягване възможността за образуване на въздушни мехури в тракта, наклона леко да се снижава към помпата. Фиг.2

Ако всмукателната тръба е гумена или от друг гъвкав материал, винаги проверявайте дали са от подсилен тип, устойчив на вакуум, за да се избегнат стеснения поради всмукателния ефект.

В случай на фиксиран монтаж се препоръчва да монтирате затварящ клапан както от страната на всмукване, така и от страната на нагнетателната тръба. Това позволява да се затвори линията преди и/или след помпата, което е удобно за всички операции по поддръжка и почистване или за периоди, в които помпата не се използва.

Помпата е снабдена с въртящи се вход, за да се улесни монтажа. (3) и (4)

При маркучи, ако се налага, използвайте коляно фиг.1 и градинарския комплект, състоящ се от РЕ тръба и комплект с муфи с накрайник, които не са доставени, но могат да се доставят отделно.

При наличието на замърсявания с много малки размери се препоръчва да използвате, освен вградения филтър (1), филтър на входа на помпата, монтиран на всмукателната тръба.

- Не подлагайте двигателя на прекалено много стартирания/час, силно се препоръчва да не се превишават 20 стартирания/час.



Диаметърът на всмукателната тръба трябва да бъде по-голям или равен на диаметъра на отвора на електрическата помпа, виж Таблица 3.

7. ЕЛЕКТРИЧЕСКО СВЪРЗВАНЕ



Да се провери дали захранващото напрежение отговаря на изискването на помпата и да се оцени възможността за надеждна заземка. Придържайте се към указанията, посочени в табелата с техническите данни и в това ръководство, таблица 3.

Дължината на захранващия кабел, наличен с помпата, ограничава разстоянието за монтаж, ако се налага използване на удължител, уверете се, че е от същия тип (напр. H05 RN-F или H07 RN-F в зависимост от монтажа) виж табл.3.

8. СТАРТИРАНЕ



Не стартирайте помпата без да сте я напълнили напълно с течност, около 4 литра, докато започне да излиза през тапата за освобождаване на въздух (2).

В случай на изчерпване на водния ресурс, незабавно изключете щепсела, с което спирате помпата. Избягвайте работата на сухо.

1. Преди пускането на помпата проверете дали помпата е правилно залята, като пристъпите към цялостното ѝ напълване с чиста вода през специалния отвор, след като сте отстранили тапата за зареждане на прозрачния филтър (1) ръчно или със специалния инструмент, доставен с машината. Едновременно с това отворете изпускателната тапа (2), за да освободите въздуха. Това означава, че механичното уплътнение е добре смазано и

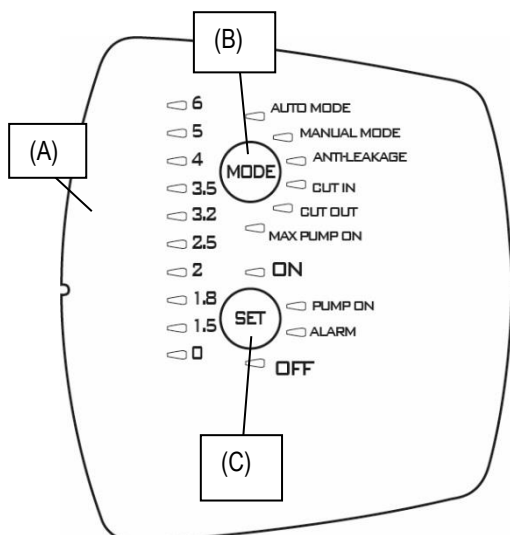
помпата започва веднага нормалната си работа. **Работа в сух режим води до непоправима повреда на механичното уплътнение.**

- След това тапата за зареждане ще трябва да се завие внимателно до спирането ѝ (1), както и изпускателната тапа (2).
- Включете щепсела на захранващия кабел към захранващ контакт от 220-240V. **Внимание!** Двигателят на помпата ще се стартира незабавно, водата ще започне да излиза след максимум 3 минути, което зависи от дълбочината на нивото на водата в кладенеца или в цистерната.
- Помпата ще продължи да функционира и да черпи вода. **Внимание!** Предотвратявайте работата на сухо.
- За да спрете помпата, изключете щепсела на захранващия кабел.



В случай на проблеми със заливането преди пускане в действие, повторете обработката, докато изчезне всичият въздух при всмукването.

9. ЕЛЕКТРОНЕН ИНТЕРФЕЙС ЗА УПРАВЛЕНИЕ



9.1 Обзор на характеристиките

Описание	Параметри
Напрежение, честота на платката	1x220-240V, 50/60 Hz
Индикация on/off за напрежение	●
Индикация on/off за двигателя	●
Индикация Аларми	●
Индикация Налягане	●
Индикация Режим	●
Auto Mode	●
Manual Mode	○
Защита срещу сух старт	●
Защита срещу течове	○
Защита Max pump on	○ (30 минути)
Налягане Cut-in	○ Променливо (1,5 – 3,0 bar)
Налягане Cut-out	○ (Cut-in + 1 bar)
Автоматично заливане	●
Бутони за селекция	●

● = Фиксиран; ○ = Избираем

9.1.1 Описание на дисплея:

(A) Светодиодни индикатори за налягане

Използват се 10 светодиода като индикация за налягането от 0 до 6 bar. Когато налягането в системата се променя, светодиодите светват или изгасват последователно.

Функция	Конфигурация на дисплея	Set	Reset Alarm
Auto Mode		ON: Активиран OFF: Деактивиран	
Manual mode		ON: Активиран OFF: Деактивиран	
Anti-leakage		ON: Активиран OFF: Деактивиран	Натиснете SET
Cut in		Увеличи/Намали	
Cut out		Увеличи/Намали OFF: деактивиран	
Max pump on		ON: активиран OFF: деактивиран	Натиснете SET

(B) Бутон за избор MODE

Избираеми режими:

- | | |
|-------------------|----------------|
| 1) AUTO_MODE; | 4) CUT_IN; |
| 2) MANUAL_MODE; | 5) CUT_OUT; |
| 3) ANTI LEACKAGE; | 6) MAX_PUMP_ON |

За деблокиране на избора на функцията в “MODE”/РЕЖИМ/, натиснете бутона “MODE” в продължение на 5 секунди.

Натиснете “MODE”, за да прелистите различните работни режими (AUTO_MODE или MANUAL_MODE) или параметри за промяна (CUT IN и CUT OUT), или за да активирате някои функции (ANTI-LEAKAGE и MAX PUMP ON). По време на прелистването светодиодът за избраната функция ще премигва. Веднъж след като се върнете в режим AUTO_MODE, активните функции ще се отчетат със съответния постоянно светещ светодиод. Виж параграф 2 (Описание на функциите).

Индикатори за “MODE”

AUTO MODE: помпата ще работи в автоматичен режим, виж 9.2.1

MANUAL MODE: помпата работи в ръчен режим, виж 9.2.1, потребителят решава кога да я включи и изключи, като използва бутона “SET”. SET-ON включен SET-OFF изключен.

CUT-IN: настройване на налягане (винаги активирано), минимално налягане под това, с което се активира, може да се настрои между 1.5 и 3.0 bar, фабрично 1.8 bar; помпата се активира, дори ако потокът е под минимална стойност 1.5 l/min, настроена е фабрично.

CUT-OUT: настройване на налягане (деактивиран) pressione sopra la quale la pompa si arresta, di fabbrica impostato a “CUT-IN” + 1 LED налягане над това, при което помпата спира, фабрично е настроено на “CUT-IN” + 1 bar, но може да се увеличава до 3.5 bar (50.8 psi).

За да я активирате, изберете функцията, като натиснете “MODE”, докато съответният светодиод започне да премигва, след което:

- 1) натиснете SET **за 10 секунди**, за отключването на функцията (тогава ще се включат LED индикаторите върху стойностите за налягането),
- 2) натиснете SET, за да изберете желаната стойност,
- 3) за деактивирането на функцията, задайте стойността за изключване cut-out на 0 [bar или psi],
- 4) излезте от настройката, като натиснете MODE.

ЗАБЕЛЕЖКА: стойността за изключване CUT-OUT може да бъде променена САМО след отключването на функцията, натискайки бутона SET за 10 секунди. След 1 секунда, без да натискате който и да е бутон, функцията ще се блокира отново.

ANTI-LEAKAGE: защита срещу течове. Функцията може да се активира или деактивира. Фабрично е деактивирана. Когато е активирана, ако е установено условието помпата да се стартира повече от 6 пъти за 2 минути, тя ще спре и ще се отбележи грешка чрез бавно премигващ червен светодиод за “ALARM”.

За да я активирате, изберете функцията, като натиснете “MODE”, докато съответният светодиод започне да премигва, след което натиснете SET, докато светодиодът “ON” светне. За да деактивирате, натиснете SET, докато включената светлина покаже OFF.

Веднъж след като причината е отстранена, нулирайте алармата, ако все още е налична, виж 9.2.3.

MAX PUMP ON: максимален период на функциониране. Функцията може да се активира или деактивира. Фабрично е деактивирана. Когато е активирана, ако е установено условието помпата да работи за повече от 30 минути, тя ще спре, няма да се появи никаква индикация за грешка.

Тази функция се използва за защита на инсталацията в случай на случайно оставяне на отворен кран, в случай на скъсване на тръба или при използване за напояване.

За да я активирате, изберете функцията, като натиснете “MODE”, докато съответният светодиод за MAX PUMP ON остане включен след което натиснете SET, докато светодиодът “ON” светне. За да деактивирате, натиснете SET, докато включената светлина покаже OFF.

(C) Бутон за избор SET

Избираеми режими:

- 1) Ресет аларми.
- 2) Активира/деактивира в MODE (MAX_PUMP_ON, ANTILEACKAGE).
- 3) Увеличава параметрите в MODE (CUT_IN; CUT_OUT).
- 4) Двигател ON/OFF в MANUAL MODE.
- 5) Активна помпа/помпа в режим на готовност в AUTO MODE.

Натиснете “SET”, за да промените параметрите, в случай че светодиодът за MODE-CUT IN или MODE-CUT OUT свети, стойността ще се покаже на светодиодната лента за показване на налягането. С натискането на “SET” стойността ще се увеличи. След като сте настроили желаната стойност, излезте от промяната с натискане на “MODE” и настройване на светодиода на MODE-AUTO и активиране на SET “ON”.

Натиснете SET също и за да активирате/деактивирате функциите Anti-leakage и Max pump On. След като сте избрали функцията с бутона “MODE”, активирайте я, като изберете SET-ON, за да я деактивирате, изберете SET-OFF.

В режим "MANUAL" бутонът SET ще служи за включване или изключване на помпата, светещ светодиод на "On" или на "OFF". В автоматичен режим AUTO-MODE ще послужи за активиране "ON" или влизане в режим на готовност "OFF".
PUMP ON: индикация, която съответства на функциониращ двигател.

9.2 Описание на функциите

9.2.1 Помпа ON/OFF (AUTO MODE, MANUAL MODE)

Деактивиран cut out → при включването на щепсела след тестване на светодиодите помпата се включва за 10 секунди.
 Активиран cut out → След като щепселът е бил включен, извършено е тестването на светодиодите за първите 3 секунди (включването на светодиод 0 показва винаги наличие на напрежение) и се настройва по подразбиране на режим "AUTO MODE" с включване на индикаторната лампа "ON". Помпата ще започне да работи, ако налягането е под стойността CUT – IN, а потокът е под минималния поток за cut-in. Помпата ще продължи да работи докато налягането е под стойността CUT-OUT, при достигането ѝ ще се изключи независимо от потока.

Ако обаче бъде избран режим "MANUAL MODE", с еднократното натискане на бутона "MODE", помпата ще се стартира, ако светодиодът "ON" свети, в противен случай с натискането на "SET", помпата ще се изключи и ще светне светодиодът "OFF". Когато помпата започне да работи ще влезе в режим ЗАЛИВАНЕ.

Забележка: Уверете се, че сте следвали инструкциите за инсталиране и че помпата е била напълно потопена във вода.

9.2.2 Фаза на заливане

Когато помпата започне да работи, ще влезе в режим на заливане, по време на тази фаза, ако не се установи поток и налягане, ще поддържа работата на двигателя в продължение на 3 минути, след което ще влезе в режим на аларма за работа на сухо. Ако в този времеви интервал се отчете поток или налягане, ще бъде извършено заливане и помпата ще работи нормално.

9.2.3 Ресет аларми

Когато е налице аларма, ще светне червен светлинен индикатор "ALARM". Ресет на алармата става с еднократно натискане на бутона "SET", ако причината, която го е предизвикала, е била отстранена, ще продължи с нормално функциониране, в противен случай помпата ще влезе в аварийен режим.

9.2.4 Индикация on/off за напрежение

Ако има напрежение светодиодът за налягане 0 на светодиодната шина ще свети. Ако няма напрежение, този светодиод няма да свети. Забележка: за дълги периоди на неактивност, се препоръчва да спрете напрежението, като извадите щепсела.

9.2.5 Индикация on/off за помпата

Когато двигателят работи, синята светлина на "PUMP ON" трябва да свети, за да се означава функционирането. Когато двигателят спре, този светодиод ще изгасне.

9.2.6 Индикация за алармите

Постоянна или премигваща червена светлина за "ALARM" се активира, когато има аларма.

Работа на сухо (Dry-running): постоянна червена светлина.

Теч (Leakage): бавно премигване.

Max Помпа ON (помпата функционира за повече от 30 минути): 2 бързи премигвания една по-дълга пауза.

Натиснете "SET", за да нулирате алармите.

9.2.7 Защита срещу сух старт (Dry running protection)

Ако помпата работи на сухо, след няколко секунди (40 сек.) спира и се появява индикация за грешка с постоянна червена светлина за "ALARM".

След първоначален период от 30 мин, през който помпата е в състояние OFF се прави нов опит за стартира за срок от 5 мин. Ако и този опит е неуспешен, ще се направи друг на всеки 30 мин., до максимум 48 пъти. Ако тези опити са неуспешни, ще се прави един на всеки 24 часа.

Устройството автоматично излиза от алармата за сух ход, ако има поток и/или налягане.

Ако се направи ресет на алармата, виж 9.2.3, ще се направи нов опит за 40 сек.

Отстранете причините и направете ресет на алармата, виж 9.2.3.

9.2.8 Защита срещу течове (ANTI-LEAKAGE)

Функцията може да се активира или деактивира, фабрично е настроена като деактивирана. Когато е активирана, ако е установено условието помпата да се стартира повече от 6 пъти за 2 минути, тя ще спре и ще се отбележи грешка чрез бавно премигващ червен светодиод за "ALARM".

Отстранете причините и направете ресет на алармата, виж 9.2.3.

За процедурата за активиране виж Anti-leakage.

9.2.9 Max pump on

Максимален период на функциониране. Функцията може да се активира или деактивира. Фабрично е деактивирана. Когато е активирана, ако е установено условието помпата да работи за повече от 30 минути, тя ще спре, ще започне премигване за ALARM.

Тази функция се използва за защита на инсталацията в случай на случайно оставяне на отворен кран, в случай на скъсване на тръба или при използване за напояване.

9.2.10 Аларма на сензора за налягане

Устройството влиза в аварийен режим за сензора за налягането, ако стойността на налягането е извън работния обхват (0-15 bar). Помпата се изключва, прави се ресет на грешката веднага щом условията за налягането влязат в обхвата.

9.3 Първо стартиране

9.3.1 Тестване на светодиодите

При първото стартиране или все пак след включването на щепсела в тока се прави тестване на 20-те светодиода за няколко секунди, когато всички светодиоди ще светнат последователно.

9.3.2 Първо заливане

Помпата автоматично ще влезе в режим **AUTO** и настроена на **ON**.

Може да има три вида поведение:

- 1) Наличие на поток, но с ниско налягане: излиза от фазата на заливане и започва нормално функциониране.
- 2) Налягане без поток: ако това условие продължи, след 10 сек. помпата ще спре.
- 3) Няма поток, нито налягане: помпата ще спре и ще се появи грешка за сух старт, след около 3 минути, която се отбелязва с червен светодиод SET-ALARM. Отстранете причината и направете ресет на алармата, виж 9.2.3.

9.4 Нормални операции с деактивиран CUT-OUT (фабрично)

Деактивиран cut-out означава, че може да има следните поведения:

- Помпата се активира, ако има поток или поради липса на налягане, налягането е под CUT IN (в 10 ms).
- помпата спира, ако съществува условието за налягане, но ако няма постоянен поток за 10 s.

Светодиодът CUT OUT ще изгасне по време на нормалното функциониране. За промяна на настройката виж 9.1.1.B

9.5 Нормални операции с активиран CUT-OUT

Активиран cut-out означава, че може да има следните поведения:

- Помпата се активира, ако налягането е под налягането CUT IN.
- Помпата спира, ако налягането е над налягането CUT OUT.

Светодиодът CUT OUT ще светне по време на нормалното функциониране. За промяна на настройката виж 9.1.1.B.

10. ПРЕДПАЗНИ МЕРКИ

ОПАСНОСТ ОТ ЗАМРЪЗВАНЕ: когато помпата остане неактивна при температура под 0°C, е необходимо да се уверите, че няма остатъци от вода, които замръзвайки, могат да предизвикат пукнатини в пластмасовите части.

Ако помпата е била използвана с вещества, които се утаяват или с хлорирана вода, изплакнете след употреба със силна струя вода, за да не се допусне образуване на утайки или отлагания, които могат да влошат характеристиките на помпата.

11. ПОДДРЪЖКА И ПОЧИСТВАНЕ

При нормално функциониране електрическата помпа не изисква никакъв вид поддръжка. Във всеки случай всички операции по ремонт и поддръжка трябва да се извършват само след като сте изключили помпата от захранващата мрежа. Когато стартирате помпата, уверете се, че е монтирана правилно, за да не се създаде опасност за хора и лица.

11.1 Почистване на аспирационната решетка (Фиг. 3)

- Изключете електрическото захранване на помпата.
- Оставете помпата да се отцеди, като отворите тапата за източване (6), като първо затворите решетките преди помпата (ако има такива).
- Развийте капака на камерата за филтъра, с ръце или със съответния аксесоар, доставен с машината.
- Извадете филтърния блок през горната страна.
- Изплакнете чашката под течаща вода и почистете филтъра с мека четка.
- Монтирайте отново филтъра, като извършите операциите в обратен ред.

11.2 Почистване на НВК (Фиг. 4)

- Изключете електрическото захранване на помпата.
- Отстранете тапата на НВК (5) с аксесоара, доставен с машината.
- Свалете невъзвратния клапан (НВК) и го почистете от евентуални замърсявания.
- Сглобете частите в обратен ред на демонтирането.

12. ОТКРИВАНЕ НА ПОВРЕДИ



Преди да започнете да търсите повреди, е необходимо да прекъснете електрическото свързване на помпата (извадете щепсела от контакта). Ако захранващият кабел или която и да е част на помпата е повредена, операцията по ремонта или смяната трябва да се извършва от Производителя или от неговия отдел за техническо обслужване, или от лице с еквивалентна квалификация, за да се предотврати всеки риск.

ПОВРЕДА	ПРОВЕРКА (възможна причина)	ДЕЙСТВИЯ
1. Мотора не тръгва и не издава звук.	A. Провери ел. връзки. B. Провери изправността на мотора. C. Провери предпазителите. D. Вероятно сработване на термозащитата.	C. Ако са изгорели-смени ги. D. Изчакайте около 20 мин., за да се охлади двигателя. Проверете причината и я отстранете. N.B.: Ако повредата се повтори пак – мотора е с късо съединение.
2. Мотора не тръгва, но издава звук..	A. Провери захранващото напрежение. B. Провери за блокаж на помпата или мотора. C. Проверете дали валът не е блокиран. D. Провери за блокаж на помпата или мотора.	B. Свали блокирането. C. Използвайте доставения инструмент, за да развиете капачето и с отвертка разблокирайте вала. D. Смени кондензатора.
3. Мотора работи с трудности.	A. Провери захранващото напрежение. B. Провери въртящите се части.	B. Отстрани причината.
4. Помпата не подава вода.	A. Помпата не е захранена правилно. B. Диаметъра на тръбата на входа е недостатъчен. C. Запушен невъзвратен клапан НВК.	A. Напълнете помпата с вода и я залейте, като внимателно оставите водата да изтече, развивайки изпускателната тапа. B. Смени тръбата с друга, с по-голям диаметър. C. Почистете филтъра и в случай, че не е достатъчен, също и НВК.
5. Помпата не засмуква.	A. Всмукване на въздух през всмукателната тръба. B. Обърнат наклон на входящата тръба, наличие на въздух.	A. Отстранете явлението като проверите уплътнението на свързките и всмукателната тръба и повторете операцията по заливане. B. Поправи наклона на входящата тръба.
6. Недостатъчен дебит на изхода.	A. Всмукателната тръба е запушена. B. Блокирано или повредено работно колело. C. Недостатъчен диаметър на входната тръба.	A. Почистете всмукателната тръба. B. Смени тръбата с друга, с по-голям диаметър. C. Смени две от фазите.
7. Помпата вибрира и работи шумно..	A. Провери връзките на тръбите към помпата. B. Кавитация. C. Помпата работи над възможностите си.	A. Притегни разхлабените връзки. B. Провери за загуби по входното трасе. C. Ограничи дебита.

13. ГАРАНЦИЯ



Всяка промяна, за която нямате предварително разрешение, освобождава производителя от всякакъв вид отговорност. Всички резервни части, използвани при ремонтите, трябва да бъдат оригинални и всички принадлежности трябва да бъдат разрешени от производителя, за да може да се гарантира максималната безопасност на машините и на съоръженията, на които те могат да се монтират.

Този продукт има законова гаранция (в Европейската общност 24 месеца, считано от датата на покупката) за всички дефекти, дължащи се на фабрични дефекти или в използваните материали.

По преценка гаранционният продукт може да бъде или заменен с такъв в идеално работно състояние, или поправен безплатно, когато са спазени следните условия:

- продуктът е използван правилно и в съответствие с инструкциите и не е правен никакъв опит за ремонт от страна на купувача или на трети страни.
- продуктът е предаден на мястото, от където е закупен, заедно с приложен документ, удостоверяващ покупката (фактура или фискален бон) и с кратко описание на установения проблем.

Роторът и частите, подлежащи на износването, не са част от гаранцията. Интервенциите по време на гаранцията не удължават по никакъв начин първоначалния период.

OBSAH

1. APLIKACE	50
2. ČERPATELNÉ KAPALINY	51
3. TECHNICKÉ PARAMETRY A OMEZENÍ POUŽITÍ	51
4. SPRÁVA	51
4.1 Skladování	51
4.2 Přeprava	51
4.3 Hmotnost a rozměry	51
5. VAROVÁNÍ	51
6. INSTALACE	52
7. ELEKTRICKÉ ZAPOJENÍ	52
8. SPUŠTĚNÍ	52
9. ELEKTRONICKÉ ŘÍDICÍ ROZHRAŇÍ	52
9.1 Přehled charakteristik	53
9.1.1 Popis displeje:	53
9.2 Popis funkcí	54
9.2.1 Zapnutí/vypnutí čerpadla - ON/OFF (AUTO MODE, MANUAL MODE)	54
9.2.2 Fáze zprovoznění	55
9.2.3 Vynulování alarmů	55
9.2.4 Signalizace ZAPNUTÍ/VYPNUTÍ napětí	55
9.2.5 Signalizace ZAPNUTÍ/VYPNUTÍ čerpadla	55
9.2.6 Signalizace Alarmů	55
9.2.7 Ochrana proti chodu nasucho (Dry running protection)	55
9.2.8 Ochrana proti únikům (ANTI-LEAKAGE)	55
9.2.9 Max Pump On	55
9.2.10 Alarm snímače tlaku	55
9.3 První uvedení do provozu	55
9.3.1 Zkoušky funkčnosti LED	55
9.3.2 Zprovoznění	55
9.4 Běžný stav při zrušeném CUT-OUT (přednastavení z výrobního závodu)	56
9.5 Běžný stav při aktivovaném CUT-OUT	56
10. OPATŘENÍ	56
11. ÚDRŽBA A ČIŠTĚNÍ	56
11.1 Čištění sacího filtru	56
11.2 Čištění zpětného ventilu (NRV)	56
12. VYHLEDÁVÁNÍ PORUCH	56
13. ZÁRUKA	57

VAROVÁNÍ



Před zahájením instalace si pozorně přečtete kompletní dokumentaci.



Před každým zásahem vytáhněte zástrčku ze zásuvky elektrické sítě. Jednoznačně se vyhněte chodu čerpadla nasucho.



Chraňte čerpadlo před povětrnostními vlivy.



Ochrana před přetížením. Čerpadlo je vybaveno tepelnou ochranou motoru. Pokud dojde k případnému přetížení motoru, ochrana motoru automaticky čerpadlo vypne. Doba potřebná k ochlazení motoru se pohybuje přibližně mezi 15-20 minutami, po ochlazení se čerpadlo automaticky zapne. Po zásahu ochrany motoru je nezbytně nutné vyhledat příčinu a odstranit ji. Konzultujte odstavec Vyhledávání závad.

1. APLIKACE

Horizontální samonasávací čerpadla s vynikajícím sacím výkonem i při čerpání vody obsahující vzduchové bubliny. Jsou mimořádně vhodná pro zásobování vodou a tlakování obydlí na samotách. Jsou vhodná pro malé zemědělství v zahradách a pro zahradničení, nouzové stavy v domácnostech a kutilství jako takové. Díky kompaktnímu tvaru, s nímž se snadno manipuluje, nacházejí také speciální uplatnění jako přenosná čerpadla pro nouzové případy, jako je odběr vody z nádrží nebo řek.

Pokud je výrobek vybavený Wifi rozhraním, prostudujte si quick guide.



Tato čerpadla nemohou být používána v bazénech, rybnících, vodních nádržích s přítomností osob ani pro čerpání uhlovodíků (benzín, nafta, topné oleje, rozpouštědla apod.) ve smyslu protiúrazových předpisů platných pro danou oblast. Před jejich uskladněním se doporučuje je vyčistit. Viz kapitola „Údržba a Čištění“.

2. ČERPATELNÉ KAPALINY

Čistá, bez pevných těles nebo abrazivních látek, neagresivní.

Čerstvá voda	•
Dešťová voda (filtrovaná)	•
Užitkové odpadní vody	○
Splaškové vody	○
Voda z bazénu nebo fontány (filtrovaná)	•
Voda z řeky nebo jezera (filtrovaná)	•
Pitná voda	•

Tabulka 1

- Vhodné
- Nevhodné

3. TECHNICKÉ PARAMETRY A OMEZENÍ POUŽITÍ

- Napájecí napětí: 220-240V, viz štítek s elektrickými parametry.
- Pomalé pojistky na ochranu elektrického přívodu (verze 220-240V): orientační hodnoty (v ampérech).
- Skladovací teplota: -10°C +40°C.

Model	Pojistky napájecího vedení 220-240V 50Hz
P1= 850	4
P1= 1100	6
P1= 640	4
P1= 920	6

Tabulka 2

	Model	P1=850	P1=1100	P1=640	P1=920
Elektrické parametry	P1 Jmenovitý příkon [W]	850	1100	640	920
	P2 [W]	600	750	380	560
	Síťové napětí [V]	1~220-240 AC			
	Síťová frekvence [Hz]	50			
	Proud [A]	3.88	4.58	3.10	4.20
	Kondenzátor [μ F]	12.5	16	16	12.5
	Kondenzátor [Vc]	450			
Vodní parametry	Max. průtok [l/h]	3180	3750	3600	4800
	Výtlačná výška [m]	43	45	32	40
	Dynamický tlak [bar]	4.3	4.5	3.2	4.0
	Max. tlak [bar]	6			
	Max. hloubka sání [m/min]	8m / <3min		6m / <3min	
Provozní rozsah	Délka napájecího kabelu [m]	1.5			
	Typ kabelu	H07 RNF			
	Třída ochrany motoru	IP X4			
	Třída izolace	F			
	Teplotní rozsah kapaliny [°C] podle EN 60335-2-41 pro domácí použití	0 °C / +35 °C			
	Max. rozměry částic	čistá voda			
Ostatní	Max. teplota prostředí [°C]	+40 °C			
	Připojovací rozměr	1" (vnější)			
	Čistá/hrubá hmotnost přibl. [kg]	9.6/11.8	10.3/12.5	10.1/12.1	10.9/12.9

Tabulka 3



Čerpadlo nemůže snášet hmotnost potrubí, které musí být drženo jinak.

4. SPRÁVA

4.1 Skladování

Všechna čerpadla musí být skladována v krytém a suchém prostoru, dle možnosti s konstantní vlhkostí vzduchu, bez vibrací a prachu. Jsou dodávána ve svém původním obalu, ve kterém musí zůstat až do okamžiku instalace.

4.2 Přeprava

Nevystavujte výrobky zbytečným nárazům a kolizím.

4.3 Hmotnost a rozměry

Na samolepicím štítku, který je aplikován na obalu, je uvedena celková hmotnost elektročerpadla a jeho rozměry.

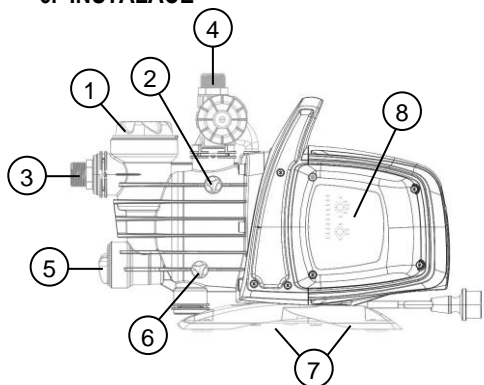
5. VAROVÁNÍ



Čerpadla nesmí být nikdy přepravována, zvedána nebo uváděna do chodu tak, že jsou zavěšena za napájecí kabel; pro tento účel používejte příslušnou rukojeť.

- Čerpadlo nesmí být nikdy uvedeno do chodu nasucho.
- Doporučuje se otvírat/zavírat odvětrávací/výpustné uzávěry (2 a 6) bez použití nadměrné síly.

6. INSTALACE



- 1 Předfiltr
- 2 Odvzdušňovací uzávěr
- 3 Sací hrdlo
- 4 Výtlačné hrdlo
- 5 Integrovaný zpětný ventil
- 6 Vypouštěcí uzávěr
- 7 Antivibrační gumové nožky
- 8 Elektronické řídicí rozhraní

Elektročerpadlo musí být nainstalováno na místě chráněném před nepřízní počasí a při teplotě nepřevyšující 40 °C. Čerpadlo je vybaveno antivibračními nožkami, ale v případě pevných instalací je možné nožky odmontovat a ukotvit čerpadlo k opěrnému podkladu (7). Zabraňte, aby potrubí přenášela nadměrnou námahu na hrdla čerpadla (3) a (4), aby nedocházelo k deformacím nebo zlomům. **Je vhodné umístit čerpadlo co nejbližší k čerpané kapalině.**

Čerpadlo musí být instalováno pouze v horizontální poloze.

Potrubí nesmí mít nikdy menší průměr, než je

průměr sacího hrdla čerpadla. Čerpadlo je vybaveno filtrem (1) a zpětným ventilem (NRV) (5).

Pro sací hloubky přes čtyři metry nebo s dlouhými vodorovnými úseky je doporučeno použít sací hadici s větším průměrem než je sací otvor čerpadla. Mírný sklon sací hadice směrem nahoru k čerpadlu zabrání tvorbě vzduchových kapes. Obr. 2

V případě, že je sací potrubí z gumy nebo z pružného materiálu, vždy zkontrolujte, zda je zesíleného druhu, který je odolný vůči vakuu, aby se zabránilo jeho zúžení v důsledku sání.

V případě pevné instalace se doporučuje namontovat uzavírací ventil na straně sání i na straně výtlačku. To umožňuje zavřít okruh na vstupu a/nebo na výstupu čerpadla, což je užitečné při provádění zásahů údržby a čištění nebo během období, kdy se čerpadlo nepoužívá.

Čerpadlo je vybaveno otočnými koncovkami usnadnění instalace. (3) a (4)

V případě hadic dle potřeby použijte koleno znázorněné na obr. 1 a sadu pro zahradničení, která je tvořena hadicí z vyztuženého PE a sadou spojek a sacím košem, které se nedodávají s čerpadlem, ale lze je zakoupit samostatně.

Při použití ve vodě s příměsí nečistot malých rozměrů se doporučuje použít kromě integrovaného filtru (1) filtr na vstupu čerpadla, namontovaný na sací trubce.

- Nevystavujte motor příliš velkému počtu spuštění/hodinu. Doporučuje se nepřekročit 20 spuštění/hodinu.



Průměr sací trubky musí být větší nebo se musí rovnat průměru hrdla elektročerpadla - viz Tabulka 3.

7. ELEKTRICKÉ ZAPOJENÍ



Zkontrolujte shodnost štítkového napětí elektromotoru čerpadla s přivedeným napájecím napětím, zejména uzemňující svorka musí být připojena k napájecímu kabelu. **Dodržujte údaje uvedené na štítku s technickými parametry a v tabulce 3 tohoto návodu.**

Délka napájecího kabelu, který je součástí čerpadla, omezuje instalační vzdálenost. Když potřebujete prodlužovací kabel, ujistěte se, že je stejného typu (např. H05 RN-F nebo H07 RN-F, v závislosti na konkrétní instalaci) - viz tab. 3.

8. SPUŠTĚNÍ



Neuvádějte čerpadlo do chodu, aniž byste jej úplně naplnili kapalinou, přibližně 4 litry, dokud nezačne vytékat z odvzdušňovacího uzávěru (2).

V případě, že by došlo k vyčerpání zdroje vody, okamžitě vypněte čerpadlo vytažením zástrčky ze zásuvky elektrické sítě. Zabraňte činnosti nasucho.

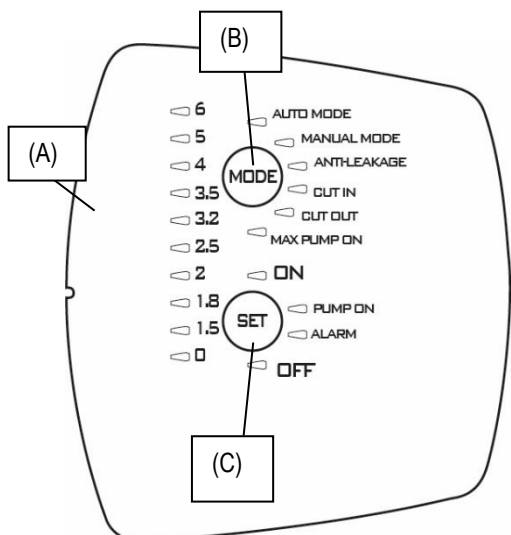
1. Před uvedením čerpadla do chodu zkontrolujte, zda je řádně zalito, a zajistěte jeho úplné naplnění čistou vodou přes příslušný otvor poté, co odšroubujete plnicí uzávěr průsvitného filtru (1) rukama nebo příslušným nástrojem dodaným v rámci výbavy. Současně otevřete také odvzdušňovací uzávěr (2) z důvodu vypuštění vzduchu. Naplnění zajišťuje dobrou funkci mechanického těsnění. **Provoz čerpadla na sucho způsobuje na mechanickém těsnění nenapravitelné škody.**
2. Poté je třeba důkladně zašroubovat odvzdušňovací uzávěr (2) až po doraz (1).
3. Zasuňte zástrčku napájecího kabelu do zásuvky elektrické sítě s napětím 220-240V. **Upozornění!** Ke spuštění motoru čerpadla dojde okamžitě a voda začne vytékat po uplynutí maximálně 3 minut, v závislosti na hloubce hladiny vody ve studni nebo v nádrži.
4. Čerpadlo začne fungovat a bude čerpat vodu. **Upozornění!** Předejděte činnosti nasucho.
5. Pro vypnutí čerpadla odpojte zástrčku napájecího kabelu ze zásuvky elektrické sítě.



V případě problémů s infiltracemi zopakujte uvedený postup, dokud všechny vzduch z nasávání neunikne.

9. ELEKTRONICKÉ ŘÍDICÍ ROZHRANÍ

9.1 Přehled charakteristik



Popis	Parametry
Napětí a frekvence napájení	1x220-240V - 50/60 Hz
Signalizace zapnutí/vypnutí napětí	●
Signalizace zapnutí/vypnutí motoru	●
Signalizace Alarmů	●
Signalizace Tlaku	●
Signalizace Režimu	●
Auto Mode	●
Manual Mode	○
Ochrana proti Chodu nasucho	●
Ochrana proti únikům	○
Ochrana Max. zap. čerpadla	○ (30 minut)
Tlak Cut-in	○ Proměnlivý (1,5 – 3,0 bar)
Tlak Cut-out	○ (Cut-in + 1 bar)
Zprovoznění	●
Tlačítka pro volbu	●

● = Pevně nastavený; ○ = Volitelný

9.1.1 Popis displeje:

(A) LED indikátory tlaku

Pro zobrazování tlaku se používají LED indikátory, které zobrazují tlak v rozsahu od 0 do 6 barů. Při změně tlaku v systému se následně rozsvítí nebo zhasnou příslušné LED.

Funkce	Konfigurace displeje	Set (Nastavit)	Vynulování alarmu
Auto Mode		ON: Aktivace OFF: Zrušení	
Manual mode		ON: Aktivace OFF: Zrušení	
Anti-leakage		ON: Aktivace OFF: Zrušení	Stiskněte SET
Cut in		Zvýšení/Snížení	
Cut out		Zvýšení/Snížení OFF: zrušení	
Max pump on		ON: aktivace OFF: zrušení	Stiskněte SET

(B) Tlačítko pro volbu režimu MODE

Volitelné režimy:

- | | |
|------------------|----------------|
| 1) AUTO_MODE; | 4) CUT_IN; |
| 2) MANUAL_MODE; | 5) CUT_OUT, |
| 3) ANTI LEAKAGE; | 6) MAX_PUMP_ON |

Pro odjištění funkce volby režimu „MODE“ stiskněte tlačítko „MODE“ na dobu 5 sekund.

Stisknutím tlačítka „MODE“ se můžete posouvat po jednotlivých provozních režimech (AUTO_MODE nebo MANUAL_MODE) nebo parametrech, které mají být změněny (CUT IN a CUT OUT), nebo můžete aktivovat jednotlivé funkce (ANTI-LEAKAGE a MAX PUMP ON). Během posouvání bude blikat LED odpovídající funkce. Po návratu do režimu AUTO_MODE budou aktivované funkce signalizovány rozsvícením odpovídající LED stálým světlem. Viz odstavec 2 (Popis funkcí).

Indikátory „MODE“

AUTO MODE: čerpadlo bude fungovat v automatickém provozním režimu - viz odst. 9.2.1.

MANUAL MODE: čerpadlo bude fungovat v manuálním režimu (viz odst. 9.2.1) a uživatel se bude moci rozhodnout, kdy zapne a kdy vypne čerpadlo, prostřednictvím tlačítka „SET“. SET-ON rozsvícená, SET-OFF vypnutá.

CUT-IN: nastavení tlaku (vždy aktivní) minimální tlak, pod kterým dojde k aktivaci čerpadla; je nastavitelný v rozsahu od 1,5 do 3,0 barů a přednastavená hodnota z výrobního závodu je 1.8 barů; k aktivaci čerpadla dojde i při poklesu průtoku pod 1,5 l/min (přednastavená hodnota z výrobního závodu).

CUT-OUT: nastavení tlaku (aktivní) nad kterým dojde k zastavení čerpadla; přednastavená hodnota z výrobního závodu je „CUT-IN“ + 1 LED, ale lze ji zvýšit až na 3.5 barů (50.8 psi).

Pro její aktivaci zvolte příslušnou funkci stisknutím tlačítka „MODE“, dokud nezačne blikat LED odpovídající parametru CUT-OUT. Poté:

- 1) stisknout SET **na 10 vteřin**, čímž se aktivuje funkce (a v tom okamžiku se nasvítí kontrolky LED na hodnotě tlaku),
- 2) stisknout SET pro volbu požadované hodnoty,
- 3) k uzamknutí funkce zadat hodnotu cut-out na 0 [bar nebo psi],
- 4) opustit nastavení stisknutím tlačítka SET.

POZNÁMKA: hodnotu CUT-OUT lze změnit VÝHRADNĚ po aktivaci funkce stisknutím tlačítka SET na 10 vteřin. Po uplynutí 1 vteřiny bez stisknutí tlačítka se funkce automaticky uzamkne.

ANTI-LEAKAGE: ochrana proti únikům. Tato funkce může být aktivována nebo zrušena. Přednastavenou hodnotou z výrobního závodu je zrušení funkce. Když je tato funkce aktivovaná a dojde k uvedení čerpadla do chodu více než 6krát v průběhu 2 minut, čerpadlo bude vypnuto a bude signalizována chyba pomalým blikáním červené LED, označené „ALARM“.

Pro její aktivaci zvolte příslušnou funkci stisknutím tlačítka „MODE“, dokud nezačne blikat odpovídající LED. Poté stisknutím tlačítka SET zvolte požadovanou hodnotu, charakterizovanou rozsvícením LED „ON“. Pro zrušení funkce zvolte stisknutím tlačítka „SET“ stav zrušení, signalizovaný rozsvícením LED „OFF“.

Po odstranění příčiny vynulujte alarm. Když přetrvává, přečtěte si odst. 9.2.3.

MAX PUMP ON: maximální doba činnosti čerpadla. Tato funkce může být aktivována nebo zrušena. Přednastavenou hodnotou z výrobního závodu je zrušení funkce. Když je tato funkce aktivovaná a čerpadlo zůstane v činnosti déle než 30 minut, dojde k jeho zastavení bez zobrazení jakékoli signalizace chyby.

Tato funkce se používá na ochranu instalace v případě náhodného zapomenutí otevřeného kohoutku, při poškození hadice nebo v aplikacích zavlažování.

Pro aktivaci této funkce stiskněte tlačítko „MODE“, dokud se nerozsvítí LED odpovídající funkci MAX PUMP ON. Poté stisknutím tlačítka SET zvolte požadovanou hodnotu, charakterizovanou rozsvícením LED „ON“. Pro zrušení funkce zvolte stisknutím tlačítka „SET“ stav zrušení, signalizovaný rozsvícením LED „OFF“.

(C) Tlačítko pro volbu SET

Volitelné režimy:

- 1) Vynulování alarmů.
- 2) Aktivace/zrušení v rámci MODE (MAX_PUMP_ON, ANTI-LEAKAGE).
- 3) Zvýšení hodnoty parametrů v rámci MODE (CUT_IN; CUT_OUT).
- 4) VYP./ZAP. motoru v rámci MANUAL MODE.
- 5) Aktivace/pohotovostní režim čerpadla v rámci AUTO MODE.

Stiskněte „SET“ pro změnu parametrů v případě, že je rozsvícená LED „MODE-CUT IN“ nebo „MODE-CUT OUT“; příslušná hodnota bude zobrazena na diagramu ve formě LED pro indikaci tlaku. Stisknutím „SET“ dojde ke zvýšení hodnoty. Po nastavení požadované hodnoty ukončete provádění změny stisknutím tlačítka „MODE“ a opětovným rozsvícením LED, odpovídající režimu MODE-AUTO a aktivovanému stavu SET „ON“.

SET stiskněte také pro aktivaci/zrušení funkcí Anti-leakage a Max Pump On. Po volbě funkce tlačítkem „MODE“ proveďte její aktivaci volbou SET-ON; pro její zrušení zvolte SET-OFF.

V režimu „MANUAL“ slouží tlačítko SET pro zapnutí nebo vypnutí čerpadla, což je charakterizováno rozsvícením LED „ON“ nebo „OFF“.

V automatickém režimu AUTO-MODE slouží pro aktivaci „ON“ nebo přechod do pohotovostního režimu „OFF“.

PUMP ON: signalizace, která odpovídá chodu motoru.

9.2 Popis funkcí

9.2.1 Zapnutí/vypnutí čerpadla - ON/OFF (AUTO MODE, MANUAL MODE)

Cut out zrušeno → při zasunutí zástrčky do zásuvky elektrické sítě dojde po provedení zkoušek LED k zapnutí čerpadla na dobu 10 sekund.

Cut out aktivováno → Po zasunutí zástrčky do zásuvky elektrické sítě bude provedena zkouška LED v průběhu prvních 3 sekund (rozsvícení LED 0 vždy informuje, že je zařízení pod napětím) a v rámci přednastavení bude nastaven režim „**AUTO MODE**“ s rozsvícením kontrolky „**ON**“. Čerpadlo bude uvedeno do chodu, když bude tlak menší než hodnota CUT-IN a když bude průtok menší než minimální hodnota průtoku odpovídající cut-in. Čerpadlo zůstane v činnosti, dokud tlak nedosáhne hodnoty CUT-OUT. Po jejím dosažení dojde k jeho vypnutí bez ohledu na průtok.

V případě volby režimu „**MANUAL MODE**“ bude po jednom stisknutí tlačítka „**MODE**“ čerpadlo uvedeno do chodu a LED „**ON**“ zůstane rozsvícena, zatímco při stisknutí „**SET**“ dojde k vypnutí čerpadla a k rozsvícení LED „**OFF**“.

Když bude čerpadlo uvedeno do chodu, vstoupí do režimu zprovoznění.

Pozn.: Ujistěte se, že jste dodrželi pokyny pro instalaci a že bylo čerpadlo řádně naplněno vodou.

9.2.2 Fáze zprovoznění

Když čerpadlo začne fungovat, přejde do režimu zprovoznění, a když během této fáze nebude zaznamenán průtok a tlak, motor bude ponechán v chodu po dobu 3 minut, po jejímž uplynutí vstoupí do režimu alarmu činnosti nasucho. Když během uvedeného intervalu dojde k obnově průtoku nebo tlaku, začne čerpadlo fungovat obvyklým způsobem.

9.2.3 Vynulování alarmů

Při výskytu alarmu se rozsvítí červená kontrolka „**ALARM**“. Alarm lze vynulovat jedním stisknutím tlačítka „**SET**“, když byla příčina, která jej aktivovala, již odstraněna, a bude pokračovat běžná činnost; v opačném případě čerpadlo znovu přejde do režimu alarmu.

9.2.4 Signalizace ZAPNUTÍ/VYPNUTÍ napětí

Když je zařízení pod napětím, LED tlaku 0 na ruhovém diagramu, tvořeném LED, zůstane rozsvícena. Když zařízení není pod napětím, uvedená LED bude zhasnuta.

Pozn.: Během delší nečinnosti se doporučuje vypnout napájení vytažením zástrčky ze zásuvky elektrické sítě.

9.2.5 Signalizace ZAPNUTÍ/VYPNUTÍ čerpadla

Když je motor v chodu, musí být rozsvícena modrá LED „**PUMP ON**“, která bude informovat o činnosti. Po zastavení motoru dojde ke zhasnutí této LED

9.2.6 Signalizace Alarmů

Když je aktivován alarm, rozsvítí se stále červené světlo „**ALARM**“.

Chod nasucho (Dry-running): stále červené světlo

Únik (leakage): pomalé blikání

Max Pump ON (čerpadlo je v činnosti déle než 30 minut): 2 rychlá bliknutí s delší pauzou.

Pro vynulování alarmů stiskněte „**SET**“.

9.2.7 Ochrana proti chodu nasucho (Dry running protection)

Když čerpadlo funguje nasucho, po několika sekundách (40 s) bude zastaveno a bude signalizována chyba rozsvícením stálého červeného světla „**ALARM**“.

Po prvním období 30 min, během kterého se čerpadlo nachází ve stavu VYPNUTÍ, bude proveden nový pokus o uvedení do provozu, který bude trvat 5 min. Pokud nebude úspěšný ani tento pokus, další bude proveden každých 30 min, až po maximálních 48 pokusů. Když všechny tyto pokusy selžou, bude proveden jeden pokus každých 24 hodin.

Zařízení automaticky ukončí režim alarmu Chod nasucho při obnově průtoku nebo tlaku.

Při vynulování alarmu (viz odst. 9.2.3) bude nový pokus proveden po dobu 40 s.

Odstaňte příčiny alarmu a vynulujte jej (viz odst. 9.2.3).

9.2.8 Ochrana proti únikům (ANTI-LEAKAGE)

Tuto funkci lze aktivovat nebo zrušit; přednastavení z výrobního závodu odpovídá jejímu zrušení. Když je tato funkce aktivovaná a dojde k uvedení čerpadla do chodu více než 6krát v průběhu 2 minut, čerpadlo bude vypnuto a bude signalizována chyba pomalým blikáním červené LED, označené „**ALARM**“.

Odstaňte příčiny alarmu a vynulujte jej (viz odst. 9.2.3).

Ohledně postupu pro aktivaci si přečtěte odstavec Anti-leakage.

9.2.9 Max Pump On

Jedná se o maximální dobu činnosti čerpadla. Tato funkce může být aktivována nebo zrušena. Přednastavenou hodnotou z výrobního závodu je zrušení funkce. Když je tato funkce aktivovaná a čerpadlo zůstane v činnosti déle než 30 minut, dojde k jeho zastavení a k blikání signalizace ALARM.

Tato funkce se používá na ochranu instalace v případě náhodného zapomenutí otevřeného kohoutku, při poškození hadice nebo v aplikacích zavlažování.

9.2.10 Alarm snímače tlaku

Zařízení přejde do režimu Alarmu snímače tlaku, když se hodnota tlaku nachází mimo provozní rozsah (0-15 barů). Čerpadlo bude vypnuto a chyba bude vynulována bezprostředně po obnově hodnoty tlaku v provozním rozsahu.

9.3 První uvedení do provozu

9.3.1 Zkoušky funkčnosti LED

Při prvním uvedení do provozu nebo po zasunutí zástrčky napájecího kabelu do zásuvky elektrické sítě bude provedena Zkouška 20 LED, která bude trvat několik sekund, v jejichž průběhu budou postupně rozsvíceny všechny LED.

9.3.2 Zprovoznění

Čerpadlo bude automaticky uvedeno do režimu **AUTO** a nastaveno na **ON**.

Výsledkem mohou být tři různé stavy:

- 1) Přítomnost průtoku, ale nízký tlak: dojde k přechodu z fáze zprovoznění do režimu běžného provozu.

- 2) Přítomnost tlaku, ale chybějící průtok: po 10 s přetrvávání tohoto stavu dojde k vypnutí čerpadla.
- 3) Žádný průtok ani tlak: dojde k vypnutí čerpadla a k zobrazení chyby Chod nasucho, a to přibližně po 3 minutách signalizace rozsvícením červené LED SET-ALARM. Odstraňte příčiny alarmu a vynulujte jej (viz odst. 9.2.3).

9.4 Běžný stav při zrušeném CUT-OUT (přednastavení z výrobního závodu)

Vyřazení Cut-out odpovídá níže uvedeným krokům:

- Čerpadlo bude aktivováno, když je přítomen průtok nebo když chybí tlak (tlak menší než hodnota CUT IN (v průběhu 10 s).
- Čerpadlo bude zastaveno, když přetrvává stav přítomnosti tlaku, ale absence průtoku trvá nepřetržitě po dobu 10 s.

LED CUT OUT bude během běžné činnosti zhasnuta. Ohledně změny nastavení si přečtěte odstavec 9.1.1. (B)

9.5 Běžný stav při aktivovaném CUT-OUT

Aktivace Cut-out odpovídá níže uvedeným krokům:

- Čerpadlo bude aktivováno při tlaku menším, než je tlak CUT IN.
- Čerpadlo bude zastaveno při tlaku větším, než je tlak CUT OUT.

LED CUT OUT bude během běžné činnosti rozsvícena. Ohledně změny nastavení si přečtěte odstavec 9.1.1. (B)

10. OPATŘENÍ

NEBEZPEČÍ ZAMRZNUTÍ: Když čerpadlo zůstane vypnuto při teplotě nižší než 0 °C, je třeba se ujistit, že se v něm nenacházejí zbytky vody, které by při zamrznutí mohly vytvořit praskliny v plastových součástech.

Když bylo čerpadlo použito s látkami, které mají tendenci vytvářet nánosy, nebo s chlorovanou vodou, po použití jej opláchněte silným proudem vody tak, aby se zabránilo vytváření nánosů nebo inkrustací, které by měly tendenci snižovat parametry čerpadla.

11. ÚDRŽBA A ČIŠTĚNÍ

Elektročerpadlo nevyžaduje během běžné činnosti žádný druh údržby. V každém případě je třeba úkony opravy a údržby provádět výhradně po odpojení čerpadla od napájecí sítě. Při opětovném uvedení čerpadla do chodu se ujistěte, že bylo zpětně smontováno určeným způsobem, aby nedocházelo k ohrožení osob.

11.1 Čištění sacího filtru (Obr. 3)

- Vypněte elektrické napájení čerpadla.
- Proveďte odvodnění čerpadla otevřením vypouštěcího uzávěru (6) poté, co nejdříve zavřete šoupátka na vstupu (jsou-li součástí).
- Rukama nebo příslušným nářadím z výbavy odšroubujte víko komory filtru.
- Vyjměte jednotku filtru shora.
- Opláchněte nádobku pod tekoucí vodou a vyčistěte filtr jemným kartáčem.
- Namontujte filtr zpět dle stejného postupu, ale v opačném pořadí.

11.2 Čištění zpětného ventilu (NRV) (Obr. 4)

- Vypněte elektrické napájení čerpadla.
- Odmontujte uzávěr NRV (5) pomocí příslušenství dodaného v rámci výbavy.
- Sejměte zpětný ventil NRV a vyčistěte jej od případných nečistot.
- Proveďte montáž jednotlivých součástí dle postupu pro demontáž, ale v opačném pořadí.

12. VYHLEDÁVÁNÍ PORUCH



Před zahájením vyhledávání závad musíte odpojit čerpadlo od přívodu elektrického proudu (vytáhněte zástrčku ze zásuvky). Pokud je napájecí kabel nebo kterákoliv elektrická součást čerpadla poškozena, oprava nebo výměna musí být provedena výrobcem nebo jeho technickým servisem nebo osobou s odpovídající kvalifikací, zamezíte tak jakémukoliv nebezpečí.

ZÁVADA	KONTROLA (možné příčiny)	ŘEŠENÍ
1. Motor se po zapnutí neotáčí a nevydává žádný zvuk.	A. Napájecí zásuvka není pod napětím. B. Motor čerpadla není pod napětím.. C. Zkontrolujte jištění. D. Možný zásah tepelné ochrany.	A. Zkontrolujte elektrický přívod. B. Zkontrolujte přívodní kabel k čerpadlu. C. Jsou-li vadné pojistky, nahraďte je novými. D. Vyčkejte přibl. 20 min na ochlazení motoru. Zkontrolujte příčinu, která jej způsobila, a odstraňte ji. POZN.: Případné bezprostřední opakování poruchy znamená, že je motor zkratován.

ČESKY

2. Motor se po zapnutí neotáčí, ale vydává zvuk.	A. Nízké napájecí napětí. B. Vyhledejte možná ucpání čerpadla nebo motoru. C. Zkontrolujte, zda hřídel není zablokována. D. Překontrolujte stav kondenzátoru.	A. Překontrolujte napájecí napětí. B. Odstraňte mechanické odpory. C. S použitím nástroje z výbavy odšroubujte víko a šroubovákem pootočte hřídel. D. Vyměňte kondenzátor.
3. Motor běží s obtížemi.	A. Ujistěte se, že napájecí napětí není nedostatečné. B. Zkontrolujte možný otěr mezi pohyblivými a pevnými součástmi.	A. Překontrolujte napájecí napětí. B. Zkuste odstranit příčiny otěru.
4. Čerpadlo nedává žádnou vodu.	A. Čerpadlo nebylo správně zalito. B. Sací trubka má nedostatečný průměr. C. Ucpaný zpětný ventil NRV nebo ucpané filtry.	A. Naplňte čerpadlo vodou, proveďte zalití a věnujte pozornost úniku vzduchu odšroubováním odvzdušňovacího uzávěru. B. Vyměňte trubku za jinou trubku s větším průměrem. C. Vyčistěte filtr a v případě, že by to nestačilo, i NRV.
5. Čerpadlo nenasává vodu.	A. Sání vzduchu prostřednictvím sací trubky. B. Záporný sklon sací trubky podporuje tvorbu vzduchových bublin.	A. Odstraňte uvedený negativní jev kontrolou těsnosti spojů a opakováním úkonu zalití. B. Upravte sklon sací trubky.
6. Čerpadlo čerpá nedostatečné množství vody.	A. Sací trubka je ucpaná. B. Oběžné kolo je opotřebené nebo ucpané. C. Průměr sacího potrubí je nedostatečný.	A. Vyčistěte sací trubku. B. Odstraňte ucpání nebo vyměňte opotřebené součástky. C. Vyměňte za potrubí většího průměru.
7. Čerpadlo vibruje a jeho chod je hlučný.	A. Zkontrolujte, zda je čerpadlo a potrubí pevně upevněno. B. Vznik kavitace v čerpadle. C. Čerpadlo je přetíženo.	A. Upevněte volné části. B. Snižte výšku sání nebo zkontrolujte pokles tlaku. C. Může být užitečné omezit průtok na přítoku.

13. ZÁRUKA



Jakákoli změna, která nebyla autorizována předem, zbavuje výrobce jakékoli odpovědnosti. Všechny náhradní díly použité při opravách musí být originální a veškeré příslušenství musí být autorizováno výrobcem, aby mohla být zajištěna maximální bezpečnost strojů a zařízení, na kterých tyto stroje mohou být namontovány.

Na tento výrobek se vztahuje právní záruka (v Evropském společenství po dobu 24 měsíců od data zakoupení) na všechny vady, které lze přisoudit výrobním vadám nebo použitému materiálu.

Výrobek v záruce bude možné na základě nenapadnutelného rozhodnutí buď vyměnit za jiný v dokonale funkčním stavu, nebo bezplatně opravit, pokud byly dodrženy níže uvedené podmínky:

- výrobek byl používán správným způsobem, v souladu s návodem, a nebyl proveden žádný pokus o opravu kupujícím nebo třetí stranou;
- výrobek byl doručen do prodejního místa, ve kterém byl zakoupen, s přiložením dokladu, který potvrzuje zakoupení (faktura nebo účtenka), a se stručným popisem zaznamenaného problému.

Záruka se nevztahuje na součásti podléhající opotřebení, což je zejména oběžné kolo, ucpávky a těsnění.

INDHOLDSFORTEGNELSE

1. ANVENDELSESOMRÅDER	58
2. VÆSKER, DER KAN PUMPES	59
3. TEKNISKE SPECIFIKATIONER OG BRUGSBEGRÆNSNINGER	59
4. ADMINISTRATION.....	59
4.1 Opmagasinerings	59
4.2 Transport	59
4.3 Vægt og dimension	59
5. ADVARSLER	59
6. INSTALLATION	60
7. ELEKTRISK TILSLUTNING.....	60
8. IGANGSÆTNING.....	60
9. ELEKTRONISK BETJENINGSGRÆNSEFLADE.....	61
9.1 Oversigt over egenskaber	61
9.1.1 Beskrivelse af displayet:	61
9.2 Funktionsbeskrivelse	62
9.2.1 Pumpe ON/OFF (AUTO MODE, MANUAL MODE)	62
9.2.2 Spædefase	63
9.2.3 Alarmnulstilling.....	63
9.2.4 Angivelse af spænding ON/OFF	63
9.2.5 Angivelse af pumpe On/off	63
9.2.6 Alarmangivelse	63
9.2.7 Beskyttelse mod Tørdrift (Dry running protection)	63
9.2.8 Beskyttelse mod lækage (ANTI-LEAKAGE)	63
9.2.9 Max pump on	63
9.2.10 Tryksensoralarm	63
9.3 Første start	63
9.3.1 Test af lysdioderne	63
9.3.2 Første spædecyklus.....	63
9.4 Normale handlinger for inaktiveret CUT-OUT (fabriksindstillet på)	63
9.5 Normale handlinger for aktiveret CUT-OUT	64
10. FORHOLDSREGLER.....	64
11. VEDLIGEHOLDELSE OG RENGØRING.....	64
11.1 Rengøring af sugefilteret	64
11.2 Rengøring af kontraventilen	64
12. FEJLFINDING	64
13. GARANTI	65

ADVARSLER



Læs hele dokumentationen med omhu, inden installationen iværksættes:



Træk altid stikket ud før et indgreb. Undgå med omhu, at pumpen fungerer uden væske.



Beskyt elektropumpen mod skiftende vejrforhold.



Overbelastningsbeskyttelse. Pumpen er udstyret med et termisk motorværn. Motorværnet slukker automatisk for pumpen i tilfælde af eventuel overophedning af motoren. Afkølingen varer cirka 15-20 min. hvorefter pumpen tænder igen. Det er strengt nødvendigt at finde frem til og eliminere årsagen til motorværnets indgreb. Jfr. Fejlfinding.

1. ANVENDELSESOMRÅDER

Selvansugende centrifugalstrålepumper med optimal sugeevne, også i tilfælde af kulsyreholdigt vand. Specielt velegnet til vandforsyning og trykopbygning i huse på landet. Velegnede til mindre landbrugs køkkenhaver og haver, husholdningsnødsituationer og hobbybrug generelt. I kraft af den kompakte og let anvendelige udformning, kan den også anvendes som bærbar pumpe i nødsituationer, så som pumpning af vand fra tanke eller vandløb.

Såfremt produktet er trådløst, henvises til Quick Guiden.



Disse pumper må ikke anvendes til swimmingpools, damme eller bassiner, hvis der er personer heri, eller til pumpning af kulbrinte (benzin, diesel, brændbar olie, opløsningsmidler, etc.) i henhold til de gældende sikkerhedsforskrifter for området. Det er en god regel, at foretage en grundig rengøring, inden de stilles til opbevaring.

Jfr. kapitlet "Vedligeholdelse og rengøring".

2. VÆSKER, DER KAN PUMPES

Rene, uden faste eller slibende partikler, ikke aggressive.

Frisk vand	•
Regnvand (filtreret)	•
Rent spildevand	○
Snavset vand	○
Fontænevand (filtreret)	•
Å- eller søvand (filtreret)	•
Drikkevand	•

Tabel 1

- Eget
- Uegnet

3. TEKNISKE SPECIFIKATIONER OG BRUGSBEGRÆNSNINGER

- **Forsyningsspænding: 220-240V**, jfr. el-dataskilt
- **Forsinkede ledningssikringer (version 220-240V):** Vejledende værdier (Ampere)
- **Opbevaringstemperatur: -10°C +40°C**

Model	Ledningssikringer 220-240V 50Hz
P1= 850	4
P1= 1100	6
P1= 640	4
P1= 920	6

Tabel 2

	Model	P1=850	P1=1100	P1=640	P1=920
El-data	P1 Nominal mærkeeffekt [W]	850	1100	640	920
	P2 [W]	600	750	380	560
	Netværksspænding [V]	1~220-240 AC			
	Netværksfrekvens [Hz]	50			
	Strøm [A]	3.88	4.58	3.10	4.20
	Kondensator [μ F]	12.5	16	16	12.5
	Kondensator [Vc]	450			
Hydrauliske data	Max. kapacitet [l/h]	3180	3750	3600	4800
	Max. løftehøjde [m]	43	45	32	40
	Max. løftehøjde [bar]	4.3	4.5	3.2	4.0
	Max. tryk [bar]	6			
	Max sugedybde [m/min]	8m / <3min		6m / <3min	
Brugsområde	Længde Forsyningskabel [m]	1.5			
	Kabeltype	H07 RNF			
	Motorens beskyttelsesgrad	IP X4			
	Isoleringsklasse	F			
	Væsketemperaturområde [°C] i henhold til EN 60335-2-41 til husholdningsbrug	0 °C / +35 °C			
	Max. partikelstørrelse	rent vand			
	Max. omgivelsestemperatur [°C]	+40 °C			
Vægt	DNM GAS	1" M			
	Netto-/bruttovægt ca. [kg]	9.6/11.8	10.3/12.5	10.1/12.1	10.9/12.9

Tabel 3



Pumpen kan ikke understøtte rørledningernes vægt, som derfor skal understøttes på anden vis.

4. ADMINISTRATION

4.1 Opmagasiner

Alle pumperne skal opmagasineres på et lukket, tørt sted, om muligt ved en konstant luftfugtighed, beskyttet mod vibrationer og støv. De leveres i deres originale emballage, og skal opbevares heri, indtil de installeres.

4.2 Transport

Undgå at udsætte produktet for unødvendige slag og stød.

4.3 Vægt og dimension

Elektropumpens totalvægt og dens dimensioner er anført på mærkatet på emballagen.

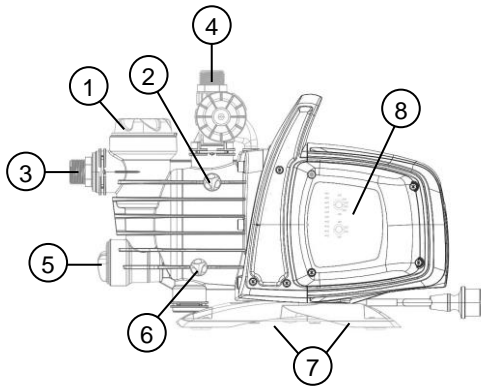
5. ADVARSLER



Pumperne må aldrig transporteres, løftes eller anvendes ved hjælp af forsyningskablet, benyt det dertil beregnede håndtag.

- Pumpen må aldrig fungere uden vand.
- Det anbefales at åbne/lukke udluftnings- og afløbspropperne (2 og 6) uden at bruge for mange kræfter.

6. INSTALLATION



1. Forfilter
2. Ventilationsdæksel
3. Drejelig sugetilslutning
4. Tryksidetilslutning
5. Indbygget kontraventil
6. Drænprop
7. Stødabsorberende gummifødder
8. Elektronisk betjeningsgrænseflade

Elektropumpen skal installeres på et sted, som yder beskyttelse mod vejrpåvirkninger og med en omgivelsestemperatur, der ikke overstiger 40°C. Pumpen er udstyret med stødabsorberende fødder, men i tilfælde af stationær installation kan disse elimineres og pumpen forankres til støttefladen (7). Undgå at rørledningerne overfører overdrevne påvirkninger til pumpens munding (3) og (4), så der ikke skabes deformationer eller beskadigelser. **Det er altid en god ide at**

placere pumpen så tæt som muligt på den væske, der skal pumpes. Pumpen må kun installeres vandret.

Rørledningerne må aldrig have en intern diameter, som er mindre end elektropumpens munding, og i indsugning er pumpen udstyret med et filter (1) og kontraventil (NRV) (5).

For sugedybder på mere end fire meter eller med betydelige vandrette stier, er det tilrådeligt at bruge et sugerør større i diameter end vakuumsugningen af pumpen. For at undgå, at der dannes luftlommer i sugerøret, skal der føres en let positiv hældning af sugerøret mod pumpen. Fig.2. Hvis sugeledningen er af gumme eller fleksibelt materiale, skal man altid kontrollere at den er af den forstærkede type, modstandsdygtig overfor vakuum, for at undgå at den kan snævre ind pga. sugeeffekten.

Det anbefales at montere en lukkeventil, både på sugesiden og på tryksiden, i tilfælde af stationær installation. Dette giver mulighed for at lukke linjen før og/eller efter pumpen, hvilket er nyttigt under alle vedligeholdelses- og rengøringsindgreb eller i de perioder, hvor pumpen ikke anvendes.

Pumpen er udstyret med drejelige indgange, med henblik på at lette installationen. (3) og (4)

I tilfælde af fleksible rørledninger skal man, om nødvendigt, anvende en kurve fig. 1 og have-sættet bestående af rørledning af PE og sættet med samlestykker med indsats, der ikke medfølger men kan købes separat.

Det anbefales at anvende et pumpeindgangsfilter, monteret på sugeledningen, udover det indbyggede filter (1), ved tilstedeværelse af snævs af meget små dimensioner.

- Udsæt ikke motoren for overdrevne antal af igangsætninger/timen, det anbefales varmt at man ikke overstiger 20 igangsætninger/timen.



Sugeledningens diameter skal være større end eller lig med elektropumpemundings diameter, jfr. Tabel 3.

7. ELEKTRISK TILSLUTNING



Kontrollér, at ledningsnettets spænding stemmer overens med motorens mærkespænding, og at det er muligt at udføre en korrekt jordforbindelse. **Overhold anvisningerne, som er anført på mærkeskiltet og i tabel 3 i denne vejledning.**

Længden på pumpens forsyningskabel begrænser installationsafstanden; ved behov for en forlænger, skal man forsikre sig, at denne er af samme type (eks. H05 RN-F eller H07 RN-F i funktion af installationen) jfr. tab.3.

8. IGANGSÆTNING



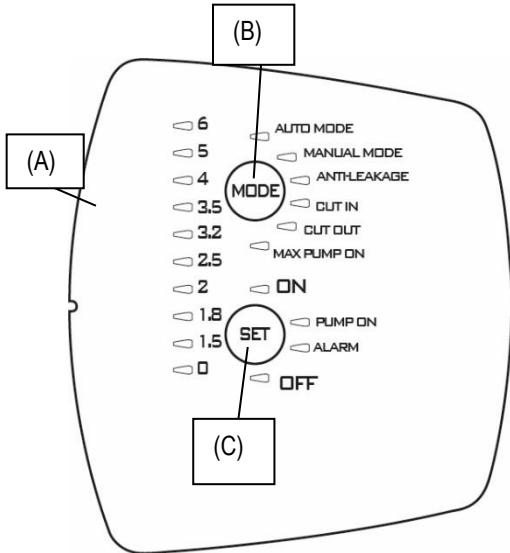
Start aldrig pumpen uden at den er fyldt helt op med væske, cirka 4 liter, indtil væsken løber ud af luftafledningsdækslet (2). Hvis vandreserven opbruges skal stikket øjeblikkeligt trækkes ud, så pumpen slukkes. Undgå tørdrift.

1. Kontrollér inden igangsætning, at pumpen er spædet korrekt, og sørg for at den er helt fyldt med rent vand, der skal hældes på gennem den dertil beregnede åbning, efter at have fjernet påfyldningsdækslet på det gennemsigtige filter (1), med hænderne eller med det relevante medfølgende instrument. Luftafledningsdækslet (2) skal samtidig åbnes, så luften kan slippe ud. Denne handling er af grundlæggende betydning for pumpen funktion og er strengt nødvendig, for at den mekaniske pakning er velsmurt. **Tørdrift vil medføre uoprettelige skader på den mekaniske pakning.**
2. Påfyldningsdækslet skal skrues helt i bund (1), og luftafledningsdækslet (2) ligeså.
3. Sæt forsyningskablets stik i en stikkontakt med strøm på 220-240V. **Giv agt!** Pumpemotoren går straks i gang, vandet vil strømme ud efter højst 3 minutter, hvilket afhænger af vandstandens dybde i brønden eller cisternen.
4. Pumpen fortsætter med at fungere og levere vand. **Giv agt!** Forebyg tørdrift.
5. Sluk pumpen ved at trække forsyningskablets stik ud.



Hvis der er problemer med spændingen skal handlingen gentages, indtil al luften i indsugningen er forsvundet.

9. ELEKTRONISK BETJENINGSGRÆNSEFLADE



9.1 Oversigt over egenskaber

Beskrivelse	Parametre
Spænding, kredsløbskørfrekvens	1x220-240V, 50/60 Hz
Angivelse af spænding on/off	●
Angivelse af motor on/off	●
Alarmangivelse	●
Trykangivelse	●
Tilstandsangivelse	●
Tilstanden Auto	●
Tilstanden Manuel	○
Beskyttelse mod Tørdrift	●
Beskyttelse mod lækage	○
Beskyttelsen Max pump on	○ (30 minutter)
Tryk Cut-in	○ Variabelt (1,5 – 3,0bar)
Tryk Cut-out	○ (Cut-in + 1 bar)
Autospædefase	●
Markeringsknapper	●

● = Forindstillet; ○ = Valgbar

9.1.1 Beskrivelse af displayet:

(A) Trykindikatorer m. lysdioder

Der anvendes 10 lysdioder til angivelsen af trykket fra 0 til 6 bar. Når trykket i systemet ændres, vil lysdioderne tænde eller slukke i funktion heraf.

Funktion	Displaykonfiguration	Set	Alarmnulstilling
Auto Mode		ON: Aktiveret OFF: Inaktiveret	
Manual mode		ON: Aktiveret OFF: Inaktiveret	
Anti-leakage		ON: Aktiveret OFF: Inaktiveret	Tryk på SET
Cut in		Forøg/Reducér	
Cut out		Forøg/Reducér OFF: Inaktiveret	
Max pump on		ON: Aktiveret OFF: Inaktiveret	Tryk på SET

(B) Vælgeknappen MODE

Valgbare tilstande:

- 1) AUTO_MODE;
- 2) MANUAL_MODE;
- 3) ANTI LEAKAGE;
- 4) CUT_IN;
- 5) CUT_OUT;
- 6) MAX_PUMP_ON

Valget af funktionerne i "MODE" udløses ved at trykke på tasten "MODE" i 5 sekunder.

Tryk på "MODE", for at gennemse de forskellige funktionstilstande (AUTO_MODE eller MANUAL_MODE) eller de parametre, der skal ændres (CUT IN og CUT OUT), eller for at aktivere visse funktioner (ANTI-LEAKAGE og MAX PUMP ON). Den valgte funktions lysdiode blinker, mens man gennemser. Efter tilbagevending til AUTO_MODE vil de aktive funktioner være fremhævet ved at den tilsvarende lysdiode er kontinuerligt tændt. Jfr. afsnit 2 (Funktionsbeskrivelse).

Indikatorer til "MODE"

AUTO MODE: Pumpen vil fungere i den automatiske tilstand, jfr. 9.2.1

MANUAL MODE: Pumpen fungerer i den manuelle tilstand, jfr. 9.2.1, og der er bruger som bestemmer, hvornår den skal tændes og slukkes ved at indvirke på knappen "SET". SET-ON tændt SET-OFF slukket.

CUT-IN: Trykindstilling (altid aktiveret) minimumstryk hvorunder pumpen går i gang, kan indstilles på mellem 1.5 og 3.0 bar, fabriksindstilling 1.8 bar; pumpen starter også hvis strømmen er lavere end den fabriksindstillede minimumsværdi på 1.5 l/min.

CUT-OUT: Trykindstilling (inaktiveret) hvorover pumpen stopper, fabriksindstillet på "CUT-IN" + LED, men kan forøges til 3.5 bar (50.8 psi).

Markér funktionen for at aktivere den og ved at trykke på "MODE" indtil lysdioden, som svarer til CUT-OUT, begynder at blinke, og:

- 1) Hold SET trykket nede i **10 sekunder** for at udløse funktionen (herefter tændes Led'ene for trykværdierne).
- 2) Tryk på SET for at vælge den ønskede værdi.
- 3) Indstil CUT-OUT værdien til 0 [bar eller psi] for at frakoble funktionen.
- 4) Forlad indstillingen ved at trykke på MODE.

BEMÆRK: CUT-OUT værdien kan KUN ændres efter udløsning af funktionen ved at holde SET trykket nede i 10 sekunder. Funktionen blokeres på ny, hvis der ikke trykkes på nogen tast inden for 1 sekund.

ANTI-LEAKAGE: Beskyttelse mod lækage. Funktionen kan aktiveres eller inaktiveres. Fabriksindstillingen er den inaktive. Når funktionen er aktiveret vil pumpen blive stoppet, hvis det sker at den sætter i gang over 6 gange inden for 2 minutter, og fejlen vises ved hjælp af den røde lysdiode, som blinker langsomt på "ALARM".

Funktionen aktiveres ved at trykke på "MODE" indtil den tilsvarende lysdiode blinker, og herefter trykke på SET indtil lysdioden "ON" er tændt. Tryk på SET indtil det tændte lys angiver OFF, for at inaktivere funktionen.

Når årsagen er elimineret skal alarmen nulstilles, hvis den stadig vises, jfr. 9.2.3.

MAX PUMP ON: Maksimal funktionsperiode. Funktionen kan aktiveres eller inaktiveres. Fabriksindstillingen er den inaktive. Når funktionen er aktiv stoppes pumpen, hvis den kører i over 30 minutter, men der vises ingen fejlangivelse.

Denne funktion anvendes til at beskytte installationen i tilfælde af, at en hane ved et uheld ikke lukkes, i tilfælde af skade på en rørledning eller ved brug til vanding.

Funktionen aktiveres ved at trykke på "MODE" indtil lysdioden, der svarer til funktionen MAX PUMP ON tænder, og herefter trykke på SET indtil lysdioden "ON" er tændt. Tryk på SET indtil det tændte lys angiver OFF, for at inaktivere funktionen.

(C) Vælgeknappen SET

Valgbare tilstande:

- 1) Alarmnulstilling.
- 2) Aktiverer/inaktiverer i MODE (MAX_PUMP_ON, ANTILEACKAGE).
- 3) Forøger parametre i MODE (CUT_IN; CUT_OUT).
- 4) Motor ON/OFF i MANUAL MODE.
- 5) Aktiv pumpe/pumpe i standby i AUTO MODE.

Tryk på "SET", for at modificere parametrene, hvis lysdioden er tændt på MODE-CUT IN eller MODE-CUT OUT, vises værdien på trykangivelsens lysdiodelinje. Ved tryk på "SET" forøges værdien. Efter indstilling af den ønskede værdi, forlades menuen ved at trykke på "MODE" og bringe lysdioden tilbage til aktiveret MODE-AUTO og SET "ON".

Tryk også på SET, for at aktivere/inaktivere funktionerne Anti-leakage og Max pump On. Når man har markeret funktionen med tasten "MODE", aktiveres den ved at markere SET-ON, og inaktiveres ved at markere SET-OFF.

I tilstanden "MANUAL" benyttes tasten SET til at tænde eller slukke for pumpen, tændt lysdiode på "On" eller "OFF".

I den automatiske tilstand anvendes AUTO-MODE til at aktivere "ON" eller stille i standby "OFF".

PUMP ON: Angivelsen angiver at motoren fungerer.

9.2 Funktionsbeskrivelse**9.2.1 Pumpe ON/OFF (AUTO MODE, MANUAL MODE)**

Inaktiveret Cut out → Når stikket sættes i tænder pumpen i 10 sekunder, efter testen af lysdioderne.

Aktiveret Cut out → Når stikket er blevet sat i afvikles testen af lysdioderne i de første 3 sekunder (tænding af lysdiode 0 angiver altid spændingstilstedeværelse) og tilstanden "AUTO MODE" med tænding af kontrollampen "ON" indstilles som default. Pumpen begynder at virke, hvis trykket er lavere end værdien på CUT -IN og flowet lavere end minimumsflowet for cut-in. Pumpen fortsætter med at virke, indtil trykket er lavere end værdien på CUT-OUT, og slukker når denne værdi nås, uden at tage hensyn til flowet.

Hvis man derimod markerer tilstanden "MANUAL MODE", går pumpen i gang, hvis lysdioden "ON" er tændt, når der trykkes en gang på tasten "MODE", og pumpen slukkes derimod ved tryk på "SET" og lysdioden "OFF" tænder.

Når pumpen begynder at virke indtager den tilstanden SPÆDEFASE.

NB. Kontrollér at installationsanvisningerne er blevet fulgt og at pumpen er helt fyldt med vand

9.2.2 Spædefase

Når pumpen begynder at virke indtages spædetilstanden og motoren holdes tændt i 3 minutter, hvis der ikke registreres flow og tryk, hvorefter pumpen går i alarmtilstanden tørdrift. Hvis der derimod registreres flow og tryk, i løbet af dette tidsinterval, udføres spædehandlingen og pumpen vil fungere normalt.

9.2.3 Alarmlstilling

Hvis der opstår en alarm tænder den røde kontrollampe på "**ALARM**". Alarmen nulstilles ved at trykke en gang på tasten "**SET**", og hvis årsagen til at alarmen er opstået er elimineret, fortsætter den normale funktion, ellers går pumpen igen i alarmforhold.

9.2.4 Angivelse af spænding ON/OFF

Hvis der er spænding er tryklysdioden 0 tændt på lysdiodelinjen. Hvis der ikke er spænding er denne lysdiode slukket. NB. Det anbefales at slå spændingen fra, ved at trække stikket ud, under lange perioder uden aktivitet.

9.2.5 Angivelse af pumpe On/off

Når motoren kører skal der være et blåt lys tændt på "**PUMP ON**", for at angive at den fungerer. Når motoren stopper er denne lysdiode slukket.

9.2.6 Alarmangivelse

Der aktiveres et konstant tændt eller blinkende rødt lys på "**ALARM**", når der er et aktivt alarmforhold.

Tørdrift (Dry-running): Konstant tændt rødt lys.

Lækage (Leakage): Langsom blinken.

Max Pump ON (pumpe i funktion i over 30 minutter): 2 hurtige blink, adskilt af en lidt længere pause.

Tryk på "**SET**", for at nulstille alarmerne.

9.2.7 Beskyttelse mod Tørdrift (Dry running protection)

Hvis pumpen kører uden vand, vil den blive stoppet efter et par sekunder (40 sec.) og der vises en fejlangivelse med konstant tændt rødt lys på "**ALARM**".

Efter den første periode på 30 min., med pumpen i tilstanden OFF, vil der blive foretaget et nyt forsøg på genstart, som varer 5 minutter. Hvis dette heller ikke lykkes, vil der blive foretaget et nyt forsøg hver 30. minut, op til maksimalt 48 gange. Hvis alle disse forsøg mislykkes, vil der blive foretaget et hver 24. time.

Anordningen forlader automatisk alarmforholdet Tørdrift, hvis der forekommer flow og/eller tryk.

Hvis alarmen nulstilles, jfr. 9.2.3, vil der blive foretaget et nyt forsøg hver 40. sec.

Eliminér årsagerne og nulstil alarmen, jfr. 9.2.3.

9.2.8 Beskyttelse mod lækage (ANTI-LEAKAGE)

Funktionen kan aktiveres eller inaktiveres og er fabriksindstillet på inaktiv. Når funktionen er aktiveret vil pumpen blive stoppet, hvis det sker at den sætter i gang over 6 gange inden for 2 minutter, og fejlen vises ved hjælp af den røde lysdiode, som blinker langsomt på "**ALARM**".

Eliminér årsagerne og nulstil alarmen, jfr. 9.2.3.

Indhent oplysninger om aktiveringsproceduren i Anti-leakage.

9.2.9 Max pump on

Maksimal funktionsperiode. Funktionen kan aktiveres eller inaktiveres. Fabriksindstillingen er den inaktive. Når funktionen er aktiv stoppes pumpen, hvis den kører i over 30 minutter, og der vises et blink på ALARM.

Denne funktion anvendes til at beskytte installationen i tilfælde af, at en hane ved et uheld ikke lukkes, i tilfælde af skade på en rørledning eller ved brug til vanding.

9.2.10 Tryksensoralarm

Anordningen indtager forholdet tryksensoralarm hvis trykværdien falder udenfor driftsintervallet (0-15 bar). Pumpen slukkes, og fejlen nulstilles så snart de korrekte trykforhold genoprettes.

9.3 Første start

9.3.1 Test af lysdioderne

Ved første start, eller efter at strømstikket er sat i, vil der blive afviklet en Test på de 20 lysdioder, der varer et par sekunder og hvorunder alle lysdioderne tændes i rækkefølge.

9.3.2 Første spædecyklus

Pumpen vil automatisk være i tilstanden **AUTO** og indstillet på **ON**.

Der kan foreligge tre forhold:

- 1) Flow til stede, men lavt tryk: Pumpen forlader spædefasen og starter den normale funktion.
- 2) Tryk, men intet flow: Efter 10 sec. i dette forhold vil pumpen slukke.
- 3) Hverken flow eller tryk: Pumpen slukker efter cirka 3 minutter og fejlangivelsen Tørdrift vises, signaleret med den tændte røde lysdiode i SET-ALARM. Eliminér årsagen og nulstil alarmen, jfr. 9.2.3.

9.4 Normale handlinger for inaktiveret CUT-OUT (fabriksindstillet på)

Inaktiveret Cut-out medfører følgende:

- Pumpen aktiveres, hvis der er flow eller ved manglende tryk, tryk på under CUT IN (i 10 ms).
- Pumpen stoppes hvis forholdet tryktilstedeværelse forekommer, men flowet mangler i 10 s.

Lysdioden CUT OUT vil være slukket under normal funktion. Indhent oplysninger om ændring af indstillingen i 9.1.1.B

9.5 Normale handlinger for aktiveret CUT-OUT

Aktiveret Cut-out medfører følgende:

- Pumpen aktiveres hvis trykket er lavere end trykket for CUT IN.
- Pumpen stoppes hvis trykket er højere end trykket for CUT OUT.

Lysdioden CUT OUT vil være tændt under normal funktion. Indhent oplysninger om ændring af indstillingen i 9.1.1.B

10. FORHOLDSREGLER

FARE FOR FROST: Hvis pumpen forbliver inaktiv ved en temperatur på under 0°C, er det nødvendigt, at forsikre sig om at der ikke er vand heri, da der kan opstå revner på plastikdelene, hvis vandet fryser til is.

Hvis pumpen er blevet anvendt til stoffer med en tendens til at aflejre sig, eller til klorvand, skal den skylles efter brug med en kraftig vandstråle, for at undgå at der dannes aflejringer eller belægninger, som vil kunne reducere pumpens egenskaber.

11. VEDLIGEHOLDELSE OG RENGØRING

Under normal funktion har elektropumpen intet behov for vedligeholdelse. Ethvert reparations- eller vedligeholdelsesindgreb må under alle omstændigheder først udføres, efter at pumpen er blevet koblet fra strømforsyningen. Kontrollér at pumpen er blevet genmonteret korrekt, så der ikke skabes fare for materiel eller personer, når pumpen genstartes.

11.1 Rengøring af sugefilteret (Fig. 3)

- Frakobl pumpens strømforsyning.
- Tøm pumpen ved at åbne afløbsdækslet (6), efter først at have lukket skodderne forude for pumpen (om til stede).
- Skru dækslet af filterkammeret, med hænderne eller vha. det relevante medfølgende redskab.
- Træk filterenheden ud fra oversiden.
- Skyl koppen under rindende vand og rens filteret med en blød børste.
- Udfør handlingerne i den omvendte rækkefølge, for at genmontere filteret.

11.2 Rengøring af kontraventilen (Fig. 4)

- Frakobl pumpens strømforsyning.
- Fjern kontraventilens dæksel (5) med det medfølgende redskab
- Tag kontraventilen ud og rens den for eventuelt snavs.
- Montér delene i omvendt rækkefølge af demonteringen.

12. FEJLFINDING



Det er nødvendigt at afskære pumpens elektriske forbindelse (træk stikket ud af kontakten), før fejlfindingen påbegyndes. Hvis forsyningskablet eller en hvilken som helst af pumpens elektriske komponenter er beskadiget, skal reparationen eller udskiftningen foretages af Fabrikanten eller af dennes tekniske servicecenter, eller af en faglært person, med henblik på at forebygge enhver risiko.

ULEMPER	KONTROLLER (mulige årsager)	LØSNINGER
1. Motoren starter ikke og der høres ingen støj.	A. Kontrollér de elektriske tilslutninger. B. Kontrollér at motoren er under spænding. C. Kontrollér sikringerne. D. Muligt termosikringsindgreb	C. Udskift sprungne sikringer D. Vent i ca. 20 min. til motoren er kølet af. Find frem til årsagen og eliminér den. NB.: Eventuel øjeblikkelig gentagelse af forholdet betyder at motoren er kortslettet.
2. Motoren starter ikke men der høres støj.	A. Kontrollér at ledningsnettets spænding stemmer overens med mærkespændingen. B. Kontrollér for mulig tilstopning af pumpen eller motoren. C. Kontrollér at akslen ikke er blokeret. D. Kontrollér kondensatorens tilstand.	B. Eliminér tilstopningerne. C. Anvend det medfølgende redskab til at skrue dækslet af, og en skruetrækker til at ophæve akslens blokering. D. Udskift kondensatoren
3. Motoren drejer med besvær.	A. Kontrollér at forsyningsspændingen er tilstrækkelig. B. Kontrollér for mulige gnidninger mellem bevægelige og stationære dele.	B. Eliminér årsagerne til gnidningerne.
4. Pumpen leverer ikke.	A. Pumpen er ikke blevet spædet korrekt. B. Sugeledning med utilstrækkelig diameter. C. Tilstoppet kontraventil NRV eller filter.	A. Fyld pumpen med vand og spæd den, og sørg for at den tømmes for luft, ved at skrue luftafledningsdækslet af B. Udskift ledningen med en med større diameter. C. Rens filteret, og hvis dette ikke er nok kontraventilen.

DANSK

5. Pumpen spædes ikke.	<p>A. Luftindsugning gennem sugeledningen.</p> <p>B. En negativ hældning på sugeledningen fremme luftlommeopkomst.</p>	<p>A. Eliminér fænomenet ved at kontrollere forbindelsernes og sugeledningens tæthed, og gentag spædehandlingen.</p> <p>B. Korriger sugeledningens hældning.</p>
6. Pumpen leverer ikke tilstrækkeligt.	<p>A. Sugeledningen er tilstoppet.</p> <p>B. Pumpehjulet er nedslidt eller blokeret.</p> <p>C. Sugeledning med utilstrækkelig diameter.</p>	<p>A. Rens sugeledningen.</p> <p>B. Fjern blokeringerne eller udskift de slidte dele.</p> <p>C. Udskift sugeledningen med en med større diameter.</p>
7. Pumpen vibrerer og støjer under funktion.	<p>A. Kontrollér at pumpen og rørledningerne er fastspændt korrekt.</p> <p>B. Kavitet i pumpen, dvs. at den kræver en større vandmængde end den er i stand til at pumpe.</p> <p>C. Pumpen arbejder ved over mærkedata.</p>	<p>A. Fastspænd de løstsiddende dele med omhu.</p> <p>B. Reducér sugehøjden eller kontrollér tryktabene.</p> <p>C. Det kan hjælpe at begrænse trykket i tryksiden.</p>

13. GARANTI



Enhver modifikation, som ikke er autoriseret på forhånd af fabrikanten, fritager denne for ethvert ansvar. Alle de anvendte reservedele, i forbindelse med reparation, skal være originale, og alt anvendt udstyr skal være autoriseret af fabrikanten, med henblik på at kunne garantere den maksimale sikkerhed for maskinerne og de anlæg, som disse kan monteres på.

Dette produkt er dækket af en garanti (i 24 måneder fra købsdato i det Europæiske Fællesskab) hvad angår alle defekter, som kan henledes til fabrikationsfejl eller materialeskavanker.

Under garantien kan produktet, efter fabrikantens skøn, enten blive udskiftet med et i perfekt funktionsstand eller blive repareret gratis, hvis de følgende forhold er opfyldt:

- Produktet er blevet anvendt korrekt, i overensstemmelse med anvisningerne og uden at der, hverken af køber eller af tredjepart, er blevet foretaget reparationsforsøg herpå.
- Produktet er blevet overdraget til salgsstedet med vedlagt dokumentation, der attesterer købet (faktura eller kassebon) samt en kort beskrivelse af det foreliggende problem.

Pumpehjulet og andre sliddele indgår ikke i garantien. Indgreb under garanti ændrer i intet tilfælde garantiens oprindelige varighed.

ΠΕΡΙΕΧΟΜΕΝΑ

1. ΕΦΑΡΜΟΓΕΣ	66
2. ΑΝΤΛΗΣΙΜΑ ΥΓΡΑ	67
4. ΔΙΑΧΕΙΡΙΣΗ	67
4.1 Αποθήκευση	67
4.2 Μεταφορά	67
4.3 Βάρος και διαστάσεις	67
5. ΠΡΟΕΙΔΟΠΟΙΗΣΕΙΣ	67
6. ΕΓΚΑΤΑΣΤΑΣΗ	68
7. ΗΛΕΚΤΡΙΚΗ ΣΥΝΔΕΣΜΟΛΟΓΙΑ	68
8. ΘΕΣΗ ΣΕ ΛΕΙΤΟΥΡΓΙΑ	68
9. ΗΛΕΚΤΡΟΝΙΚΗ ΔΙΕΠΑΦΗ ΔΙΑΧΕΙΡΙΣΗΣ	69
9.1 Πανοραμική άποψη των χαρακτηριστικών	69
9.1.1 Περιγραφή της οθόνης:	69
9.2 Περιγραφή των λειτουργιών	71
9.2.1 Αντλία ON/OFF (AUTO MODE, MANUAL MODE)	71
9.2.2 Φάση αρχικής πλήρωσης της αντλίας	71
9.2.3 Reset συναγερμών	71
9.2.4 Ένδειξη τάσης ON/OFF	71
9.2.5 Ένδειξη αντλίας On/off	71
9.2.6 Ένδειξη Συναγερμών	71
9.2.7 Προστασία από την Ξηρά λειτουργία (Dry running protection)	71
9.2.8 Προστασία από τις διαρροές (ANTI-LEAKAGE)	71
9.2.9 Max rump on	71
9.2.10 Συναγερμοσ αισθητήρα πίεσης	71
9.3 Πρώτη εκκίνηση	72
9.3.1 Τεστ στα Led	72
9.3.2 Πρώτη αρχική πλήρωση της αντλίας	72
9.4 Κανονικές λειτουργίες με απενεργοποιημένο CUT-OUT (εργοστασιακό)	72
9.5 Κανονικές λειτουργίες με ενεργοποιημένο CUT-OUT	72
10. ΠΡΟΛΗΠΤΙΚΑ ΜΕΤΡΑ	72
11. ΣΥΝΤΗΡΗΣΗ ΚΑΙ ΚΑΘΑΡΙΣΜΟΣ	72
12. ΑΝΑΖΗΤΗΣΗ ΒΛΑΒΩΝ	72
13. ΕΓΓΥΗΣΗ	73

ΠΡΟΕΙΔΟΠΟΙΗΣΕΙΣ



Πριν προχωρήσετε στην εγκατάσταση διαβάστε με προσοχή όλα τα έγγραφα:



Πριν από κάθε επέμβαση να βγάζετε το φισ από την πρίζα. Να αποφεύγετε αυστηρά την ξηρά λειτουργία της αντλίας.



Προστατεύετε την αντλία από τις καιρικές συνθήκες.



Προστασία από υπερφόρτωση. Η αντλία διαθέτει θερμική προστασία κινητήρα. Σε περίπτωση ενδεχόμενης υπερθέρμανσης του κινητήρα, η προστασία κινητήρα σβήνει την αντλία αυτόματα. Ο χρόνος ψύξης είναι περίπου 15-20 λεπτά, μετά από τα οποία η αντλία ξανανάβει αυτόματα. Μετά την επέμβαση της προστασίας κινητήρα απαιτείται αυστηρά να αναζητήσετε την αιτία και να την εξαλείψετε. Συμβουλευτείτε την Αναζήτηση Βλαβών.

1. ΕΦΑΡΜΟΓΕΣ

Φυγοκεντρικές αντλίες ψεκασμού αυτόματης εκκίνησης με βέλτιστες ικανότητες αναρρόφησης ακόμα και παρουσία αεριούχου ύδατος. Ενδείκνυται ιδιαίτερα για την τροφοδοσία νερού και την διατήρηση της πίεσης σε φάρμες. Κατάλληλες για γεωργία μικρής έκτασης σε λαχανόκηπους και για κηπουρική, έκτακτες ανάγκες οικιακής χρήσης και χόμπι εν γένει. Χάρη στο συμπαγές και εύχρηστο σχήμα μπορούν να χρησιμοποιηθούν επίσης ως φορητές αντλίες σε περιπτώσεις έκτακτης ανάγκης όπως άντληση νερού από πηγάδια ή ποτάμια. Σε περίπτωση συσκευής με σύνδεση Wifi, διαβάστε τις σύντομες οδηγίες (quick guide).



Οι αντλίες αυτές δεν επιτρέπεται να χρησιμοποιηθούν σε πισίνες, έλη, ή δεξαμενές με παρουσία ατόμων, ή για την άντληση υδρογονανθράκων (βενζίνη, πετρέλαιο, καυσέλαια, διαλύτες, κλπ.), σύμφωνα με τις κείμενες διατάξεις πρόληψης ατυχημάτων. Πριν τις αποθηκεύσετε θα ήταν καλό να μεριμνήσετε μία φάση για τον καθαρισμό τους. Βλέπε κεφάλαιο “Συντήρηση και Καθαρισμός”.

2. ΑΝΤΛΗΣΙΜΑ ΥΓΡΑ

Καθαρό, χωρίς στερεά ή τραχιά σώματα, μη διαβρωτικό.

Καθαρό νερό	•
Βρόχινο νερό (φιλτραρισμένο)	•
Ακάθαρτα νερά (λουτρά και κουζίνες)	○
Ακάθαρτα νερά	○
Νερό σε σιντριβάνι (φιλτραρισμένο)	•
Νερό από ποταμό ή λίμνη (φιλτραρισμένο)	•
Πόσιμο νερό	•

Πίνακας 1

- Κατάλληλο
- Ακατάλληλο

3. ΤΕΧΝΙΚΑ ΧΑΡΑΚΤΗΡΙΣΤΙΚΑ ΚΑΙ ΠΕΡΙΟΡΙΣΜΟΙ ΧΡΗΣΗΣ

- **Τάση τροφοδοσίας: 220-240V**, διαβάστε την πινακίδα με τα ηλεκτρικά χαρακτηριστικά
- **Ασφάλειες γραμμής με καθυστέρηση (μοντέλο 220-240V)**: ενδεικτικές τιμές (Ampere)
- **Θερμοκρασία αποθήκευσης: -10°C +40°C**

Μοντέλο	Ασφάλειες γραμμής 220-240V 50Hz
P1= 850	4
P1= 1100	6
P1= 640	4
P1= 920	6

Πίνακας 2

	Μοντέλο	P1=850	P1=1100	P1=640	P1=920
Ηλεκτρικά Στοιχεία	P1 Ονομαστική απορροφούμενη ισχύς [W]	850	1100	640	920
	P2 [W]	600	750	380	560
	Τάση δικτύου [V]	1~220-240 AC			
	Συχνότητα δικτύου [Hz]	50			
	Ρεύμα [A]	3.88	4.58	3.10	4.20
	Συμπυκνωτής [μF]	12.5	16	16	12.5
	Συμπυκνωτής [Vc]	450			
Υδραυλικά Στοιχεία	Μέγιστη παροχή [l/h]	3180	3750	3600	4800
	Μανομετρικό ύψος max. [m]	43	45	32	40
	Μανομετρικό ύψος max. [bar]	4.3	4.5	3.2	4.0
	Max. πίεση [bar]	6			
	Max βάθος αναρρόφησης [m/min]	8m / <3min		6m / < 3min	
Πεδίο χρήσης	Μήκος Καλωδίου τροφοδοσίας [m]	1.5			
	Τύπος καλωδίου	H07 RNF			
	Βαθμός προστασίας του κινητήρα	IP X4			
	Κλάση μόνωσης	F			
	Πεδίο θερμοκρασίας του υγρού [°C] σύμφωνα με το EN 60335-2-41 για οικιακή χρήση	0 °C / +35 °C			
	Διάσταση των μορίων max.	καθαρό νερό			
	Max. Θερμοκρασία περιβάλλοντος (° C)	+40 °C			
Βάρος	DNM (Διάμετρος Παροχής) ΑΕΡΙΟΥ	1" M			
	Καθαρό/Μικτό Βάρος περίπου [kg]	9.6/11.8	10.3/12.5	10.1/12.1	10.9/12.9

Πίνακας 3



Η αντλία που δεν μπορεί να σηκώσει το βάρος των σωληνώσεων που, στην περίπτωση αυτή, πρέπει να υποστηριχτούν διαφορετικά.

4. ΔΙΑΧΕΙΡΙΣΗ**4.1 Αποθήκευση**

Όλες οι αντλίες πρέπει να αποθηκεύονται σε σκεπαστό στεγνό χώρο, αν είναι δυνατόν με σταθερή υγρασία του αέρα, χωρίς κραδασμούς και θορύβους. Προμηθεύονται στην αρχική συσκευασία τους, στην οποία πρέπει να παραμείνουν μέχρι τη στιγμή εγκατάστασης.

4.2 Μεταφορά

Φροντίστε να μην κτυπήσουν οι συσκευές.

4.3 Βάρος και διαστάσεις

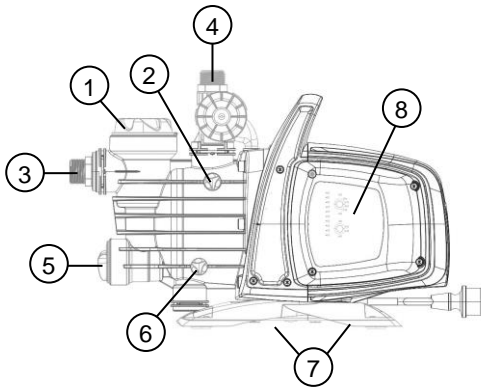
Η αυτοκόλλητη πινακίδα που βρίσκεται επάνω στη συσκευασία αναφέρει την ένδειξη του συνολικού βάρους της ηλεκτροκίνητης αντλίας και των διαστάσεών της.

5. ΠΡΟΕΙΔΟΠΟΙΗΣΕΙΣ

Οι αντλίες δεν πρέπει ποτέ να μεταφέρονται, να ανυψώνονται ή να λειτουργούν αναρτημένες από το καλώδιο τροφοδοσίας, να χρησιμοποιείτε το ειδικό χερσούλι.

- Η αντλία δεν πρέπει ποτέ να λειτουργεί χωρίς υγρό.
- Συσιτάται να ανοίγετε/κλείνετε τις τάπες εξαέρωσης/εκκένωσης (2 και 6) χωρίς να βάζετε υπερβολική δύναμη.

6. ΕΓΚΑΤΑΣΤΑΣΗ



- 1 Προφίλτρο
- 2 Τάπα εξαέρωσης
- 3 Κατευθυνόμενη σύνδεση αναρρόφησης
- 4 Σύνδεση παροχής
- 5 Ενσωματωμένη ανασταλτική βαλβίδα
- 6 Τάπα εκκένωσης
- 7 Αντικραδασμικά λαστιχένια ποδαράκια
- 8 Ηλεκτρονική διεπαφή διαχείρισης

Η ηλεκτροκίνητη αντλία πρέπει να εγκατασταθεί σε ένα μέρος το οποίο να προστατεύεται από την κακοκαιρία και με θερμοκρασία περιβάλλοντος όχι μεγαλύτερη από 40°C. Η αντλία διαθέτει αντικραδασμικά ποδαράκια, αλλά σε περίπτωση σταθερών εγκαταστάσεων είναι δυνατόν να τα αφαιρέσετε και να φροντίσετε για μία αγκύρωση στη βάση στήριξης (7). Αποφύγετε τη μετάδοση υπερβολικών καταπονήσεων από τις σωληνώσεις στα στόμια της αντλίας (3) και (4), για

να μην δημιουργηθούν παραμορφώσεις και για να μην σπάσουν.

Είναι πάντα σκόπιμο να τοποθετείτε την αντλία όσο το δυνατόν πιο κοντά στο προς άντληση υγρό.

Η αντλία πρέπει να εγκατασταθεί αποκλειστικά σε οριζόντια θέση.

Οι σωληνώσεις δεν πρέπει ποτέ να έχουν εσωτερική διάμετρο μικρότερη από τη διάμετρο των στομιών της ηλεκτροκίνητης αντλίας και κατά την αναρρόφηση, η αντλία διαθέτει φίλτρο (1) και Ανασταλτική βαλβίδα (NRV) (5).

Για βάθος αναρρόφησης μεγαλύτερο από τέσσερα μέτρα ή με πολλά οριζόντια τμήματα, συνιστάται η χρήση ενός σωλήνα αναρρόφησης με διάμετρο μεγαλύτερη από την διάμετρο του στομίου αναρρόφησης της ηλεκτροκίνητης αντλίας. Τοποθετήστε το σωλήνα αναρρόφησης με μια ελαφριά θετική κλίση προς την ηλεκτροκίνητη αντλία, για να μην δημιουργούνται θύλακες αέρα. Εικ.2 Εάν η σωλήνωση αναρρόφησης είναι από λάστιχο ή από εύκαμπτο υλικό, να ελέγχετε πάντα ότι είναι ενισχυμένου τύπου ανθεκτική στο κενό προς αποφυγή συσφίξεων λόγω της αναρρόφησης.

Σε περίπτωση σταθερής εγκατάστασης, συνιστάται να τοποθετείτε μία βαλβίδα κλεισίματος στην πλευρά αναρρόφησης και στην πλευρά παροχής. Αυτό επιτρέπει το κλείσιμο της γραμμής ανάντη και/ή κατόντη της αντλίας που είναι χρήσιμο για όλες τις επεμβάσεις συντήρησης και καθαρισμού ή για τις περιόδους κατά τις οποίες δεν χρησιμοποιείται η αντλία.

Η αντλία διαθέτει είσοδο και περιστροφικές για τη διευκόλυνση της εγκατάστασης. (3) και (4)

Στην περίπτωση εύκαμπτων σωληνώσεων, εάν είναι απαραίτητο, χρησιμοποιήστε μία καμπύλη εικ.1 και το κιτ κηπουρικής που αποτελείται από σωλήνωση από PE και κιτ ρακόρ με εκτοξευτήρα, που δεν παρέχονται αλλά μπορείτε να αγοράσετε χωριστά.

Σε περίπτωση που υπάρχουν ακαθαρσίες με πολύ μικρές διαστάσεις συνιστάται να χρησιμοποιήσετε, πέρα από το ενσωματωμένο φίλτρο (1), ένα φίλτρο εισόδου αντλίας το οποίο τοποθετείται επάνω στο σωλήνα αναρρόφησης.

- Μην υποβάλλετε τον κινητήρα σε υπερβολικές εκκινήσεις/ώρα, συνιστάται αυστηρά να μην υπερβαίνετε τις 20 εκκινήσεις/ώρα.



Η διάμετρος του σωλήνα αναρρόφησης πρέπει να είναι μεγαλύτερη ή ίση με τη διάμετρο του στομίου της ηλεκτροκίνητης αντλίας, βλέπε Πίνακα 3.

7. ΗΛΕΚΤΡΙΚΗ ΣΥΝΔΕΣΜΟΛΟΓΙΑ



Βεβαιωθείτε πως η τάση του δικτύου αντιστοιχεί με την τάση της πινακίδας του κινητήρα που θα τροφοδοτηθεί και πως είναι δυνατή Η ΕΚΤΕΛΕΣΗ ΜΙΑΣ ΚΑΛΗΣ ΓΕΙΩΣΗΣ. Ακολουθήστε τις ενδείξεις που αναφέρονται στην τεχνική πινακίδα και στον πίνακα 3 του παρόντος εγχειριδίου.

Το μήκος του καλωδίου τροφοδοσίας που υπάρχει στην αντλία περιορίζει την απόσταση εγκατάστασης, σε περίπτωση που χρειαστεί προέκταση βεβαιωθείτε ότι είναι του ίδιου τύπου (π.χ. H05 RN-F ή H07 RN-F ανάλογα με την εγκατάσταση) βλέπε πίν.3.

8. ΘΕΣΗ ΣΕ ΛΕΙΤΟΥΡΓΙΑ



Μην ξεκινάτε την αντλία χωρίς να την έχετε γεμίσει πλήρως με υγρό, περίπου 4 λίτρα, μέχρι να βγει αέρας από την τάπα εκκένωσης (2).

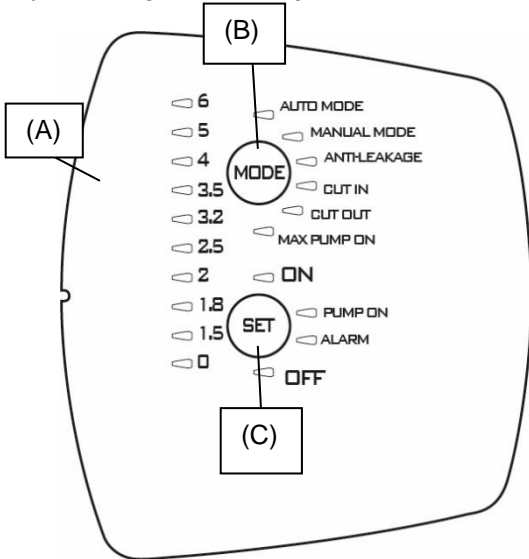
Σε περίπτωση που εξαντληθούν οι υδατικοί πόροι, βγάλτε αμέσως το φως, σβήνοντας την αντλία. Αποφύγετε την ξηρά λειτουργία.

1. Πριν από την εκκίνηση ελέγξτε ότι η αντλία είναι κανονικά βυθισμένη, φροντίζοντας για την πλήρη πλήρωσή της, με καθαρό νερό, μέσω της ειδικής οπής, αφού αφαιρέσετε την τάπα φόρτωσης του διαφανούς φίλτρου (1), με τα χέρια ή με το ειδικό εργαλείο που παρέχεται με τον εξοπλισμό. Ανοίξτε ταυτόχρονα και την τάπα εξαέρωσης (2) για να βγει ο αέρας. Η εργασία αυτή έχει μεγάλη σημασία για την τέλεια λειτουργία της αντλίας και απαραίτητη για την καλή λίπανση της μηχανικής στεγανότητας. **Η λειτουργία χωρίς νερό προκαλεί ανεπανόρθωτες ζημιές στη μηχανική στεγανότητα.**
2. Η τάπα φόρτωσης θα πρέπει να ξαναβιδωθεί στη συνέχεια προσεκτικά μέχρι το στοπ (1), όπως και η τάπα εξαέρωσης (2).
3. Εισάγετε το φως του καλωδίου τροφοδοσίας σε μία ηλεκτρική πρίζα 220-240V. **Προσοχή!** Ο κινητήρας της αντλίας θα ξεκινήσει αμέσως, το νερό θα αρχίσει να βγαίνει μετά από 3 λεπτά το ανώτερο, χρόνος που θα εξαρτηθεί από το βάθος της στάθμης του νερού, στο φρεάτιο ή στη δεξαμενή.
4. Η αντλία θα συνεχίσει να λειτουργεί και να παρέχει νερό. **Προσοχή!** Αποφύγετε την ξηρά λειτουργία.
5. Για να σβήσετε την αντλία βγάλτε το φως του καλωδίου τροφοδοσίας.



Σε περίπτωση προβλημάτων με την αναρρόφηση, επαναλάβετε το χειρισμό μέχρι να εξαλειφθεί όλος ο αέρας αναρρόφησης.

9. ΗΛΕΚΤΡΟΝΙΚΗ ΔΙΕΠΑΦΗ ΔΙΑΧΕΙΡΙΣΗΣ



9.1 Πανοραμική άποψη των χαρακτηριστικών

Περιγραφή	Παράμετροι
Τάση, συχνότητα πλακέτας	1x220-240V, 50/60 Hz
Ένδειξη τάσης on/off	●
Ένδειξη κινητήρα on/off	●
Ένδειξη Συναγερμών	●
Ένδειξη Πίεσης	●
Ένδειξη Mode	●
Auto Mode	●
Manual Mode	○
Προστασία από Ξηρά λειτουργία	●
Προστασία από διαρροές	○
Προστασία Max rump on	○ (30 λεπτά)
Πίεση Cut-in	○ Μεταβλητή (1,5 – 3,0bar)
Πίεση Cut-out	○ (Cut-in + 1 bar)
Auto αρχική πλήρωση αντλίας	●
Πλήκτρα επιλογής	●

● = Καθορισμένο ○ = Επιλεγόμενο

9.1.1 Περιγραφή της οθόνης:

(A) Δείκτες led πίεσης

Χρησιμοποιούνται 10 led ως ένδειξη της πίεσης από 0 έως 6 bar. Όταν στο σύστημα αλλάξει η πίεση τα led θα ανάψουν ή θα σβήσουν αναλόγως.

Λειτουργία	Διαμόρφωση οθόνης	Set	Reset Alarm
Auto Mode		ON: Ενεργοποίηση OFF: Απενεργοποίηση	
Manual mode		ON: Ενεργοποίηση OFF: Απενεργοποίηση	
Anti-leakage		ON: Ενεργοποιημένο OFF: Απενεργοποιημένο	Πατήστε SET
Cut in		Αυξάνει/Μειώνει	
Cut out		Αυξάνει/Μειώνει OFF: απενεργοποιημένο	
Max pump on		ON: ενεργοποιημένο OFF: απενεργοποιημένο	Πατήστε SET

(B) Πλήκτρο επιλογής MODE

Ρυθμιζόμενες λειτουργίες:

- | | |
|-------------------|----------------|
| 1) AUTO_MODE; | 4) CUT_IN; |
| 2) MANUAL_MODE; | 5) CUT_OUT, |
| 3) ANTI LEACKAGE; | 6) MAX_PUMP_ON |

Για να ξεμπλοκάρετε την επιλογή των λειτουργιών στο “MODE” πατήστε το κουμπί “MODE” για 5 δευτερόλεπτα.

Πατήστε “MODE” για να ανατρέξετε στους διάφορους τρόπους λειτουργίας (AUTO_MODE ή MANUAL_MODE) ή σε παραμέτρους που θα τροποποιήσετε (CUT IN και CUT OUT) ή για να ενεργοποιήσετε μερικές λειτουργίες (ANTI-LEAKAGE και MAX PUMP ON). Κατά το ξεφύλλισμα το led της επιλεγόμενης λειτουργίας θα αναβοσβήνει. Αφού επιστρέψετε στο AUTO_MODE οι ενεργές λειτουργίες θα επισημανθούν με το αντίστοιχο Led αναμμένο σταθερά. Βλέπε παράγραφο 2 (Περιγραφή των λειτουργιών).

Δείκτες στο “MODE”

AUTO MODE: η αντλία θα λειτουργήσει αυτόματα βλέπε 9.2.1

MANUAL MODE: η αντλία λειτουργεί χειροκίνητα βλέπε 9.2.1, ο χρήστης θα αποφασίσει πότε θα την ανάψει και θα τη σβήσει χρησιμοποιώντας το πλήκτρο “SET”. SET-ON αναμμένη SET-OFF σβηστή.

CUT-IN: καθορισμός πίεσης (πάντα ενεργοποιημένο) ελάχιστη πίεση κάτω από την οποία ενεργοποιείται η αντλία, μπορεί να ρυθμιστεί μεταξύ 1.5 και 3.0 bar, εργοστασιακή ρύθμιση 1.8 bar· η αντλία ενεργοποιείται ακόμη και αν η ροή είναι μικρότερη από την ελάχιστη τιμή 1.5 l/min που έχει καθοριστεί στο εργοστάσιο.

CUT-OUT: καθορισμός πίεσης (απενεργοποιημένο) πίεση πάνω από την οποία σταματάει η αντλία, εργοστασιακή ρύθμιση στο “CUT-IN” + 1 LED, αλλά μπορεί να αυξηθεί μέχρι 3.5 bar (50.8 psi).

Για να την ενεργοποιήσετε επιλέξτε τη λειτουργία πατώντας “MODE” μέχρι το led που αντιστοιχεί στο CUT-OUT να αναβοσβήσει και στη συνέχεια:

- 1) Πατήστε το SET **για 10 δευτερόλεπτα** για να ενεργοποιήσετε τη λειτουργία (στο σημείο αυτό, θα ανάψουν οι λυχνίες LED στις τιμές πίεσης).
- 2) Πατήστε το SET για να επιλέξετε την επιθυμητή τιμή.
- 3) Για να απενεργοποιήσετε τη λειτουργία, μετατοπίστε την τιμή του cut-out στο 0 [bar ή psi].
- 4) Η έξοδος από τη ρύθμιση γίνεται πατώντας το MODE.

ΣΗΜΕΙΩΣΗ: η τιμή του CUT-OUT μπορεί να τροποποιηθεί ΜΟΝΟ αφού ενεργοποιηθεί η λειτουργία πατώντας το πλήκτρο SET για 10 δευτερόλεπτα. Μετά από 1 δευτερόλεπτο, η λειτουργία απενεργοποιείται αυτόματα, αν δεν πατηθεί κανένα πλήκτρο.

ANTI-LEAKAGE: προστασία από τις διαρροές. Η λειτουργία μπορεί να είναι ενεργοποιημένη ή απενεργοποιημένη. Εργοστασιακά είναι απενεργοποιημένη. Όταν είναι ενεργοποιημένη, εάν διαπιστωθεί η συνθήκη ότι η αντλία ξεκινά για περισσότερες από 6 φορές μέσα σε 2 λεπτά, θα σταματήσει και θα εμφανιστεί το σφάλμα μέσω του κόκκινου LED με αργή αναλαμπή στο “ALARM”.

Για να την ενεργοποιήσετε επιλέξτε τη λειτουργία πατώντας “MODE” μέχρι να αναβοσβήσει το αντίστοιχο led, στη συνέχεια πατήστε SET μέχρι να ανάψει το led “ON”. Για να απενεργοποιήσετε πατήστε SET μέχρι το αναμμένο φως να δείξει OFF.

Αφού εξαλείψετε την αιτία, κάντε reset το συναγερμό, εφόσον υπάρχει ακόμη, βλέπε 9.2.3.

MAX PUMP ON: μέγιστη περίοδος λειτουργίας. Η λειτουργία μπορεί να είναι ενεργοποιημένη ή απενεργοποιημένη. Εργοστασιακά είναι απενεργοποιημένη. Όταν είναι ενεργοποιημένη, εάν διαπιστωθεί η συνθήκη ότι η αντλία λειτουργεί για περισσότερο από 30 λεπτά, θα σταματήσει, δεν θα εμφανιστεί καμία ένδειξη σφάλματος.

Η λειτουργία αυτή χρησιμοποιείται για να προστατέψει την εγκατάσταση σε περίπτωση που ξεχάσετε κατά λάθος ανοιχτή τη βάνα, σε περίπτωση που σπάσει κάποια σωλήνωση, ή σε αρδευτικές εφαρμογές.

Για να την ενεργοποιήσετε επιλέξτε τη λειτουργία πατώντας “MODE” μέχρι να ανάψει το led που αντιστοιχεί στη λειτουργία MAX PUMP ON, στη συνέχεια πατήστε SET μέχρι να ανάψει το led “ON”. Για να απενεργοποιήσετε πατήστε SET μέχρι το αναμμένο φως να δείξει OFF.

(C) Πλήκτρο επιλογής SET

Επιλεγόμενες λειτουργίες:

- 1) Reset Συναγερμών.
- 2) Ενεργοποίηση/απενεργοποίηση στο MODE (MAX_PUMP_ON, ANTILEACKAGE).
- 3) Αύξηση παραμέτρων στο MODE (CUT_IN· CUT_OUT).
- 4) Κινητήρας ON/OFF στη λειτουργία MANUAL MODE.
- 5) Ενεργή αντλία/αντλία σε standby στη λειτουργία AUTO MODE.

Πατήστε “SET” για να τροποποιήσετε τις παραμέτρους, σε περίπτωση που το led ανάψει στο MODE-CUT IN ή στο MODE-CUT OUT, η τιμή θα εμφανιστεί στη μπάρα led ένδειξης της πίεσης. Πατώντας “SET” η τιμή θα αυξηθεί. Αφού ρυθμίσετε την επιθυμητή τιμή βγείτε από την τροποποίηση πατώντας “MODE” και επαναφέροντας το led στο MODE-AUTO και SET “ON” ενεργοποιημένο.

Πατήστε SET και για να ενεργοποιήσετε/απενεργοποιήσετε τις λειτουργίες Anti-leakage και Max pump On. Αφού επιλέξετε τη λειτουργία με το κουμπί “MODE” ενεργοποιήστε την επιλέγοντας SET-ON, για να την απενεργοποιήσετε επιλέξτε SET-OFF.

Στη λειτουργία “MANUAL” το κουμπί SET θα χρειαστεί για να ανάψει ή να σβήσει την αντλία, αναμμένο led στο “On” ή στο “OFF”.

Στην αυτόματη λειτουργία AUTO-MODE θα χρειαστεί για την ενεργοποίηση του “ON” ή για να τεθεί σε standby “OFF”. **PUMP ON:** ένδειξη που συμπίπτει με κινητήρα που λειτουργεί.

9.2 Περιγραφή των λειτουργιών

9.2.1 Αντλία ON/OFF (AUTO MODE, MANUAL MODE)

Cut out απενεργοποιημένο → με τη σύνδεση του φως μετά το τεστ στα led η αντλία ανάβει για 10 δευτερόλεπτα.

Cut out ενεργοποιημένο → Αφού συνδεθεί το φως γίνεται το τεστ στα led για τα πρώτα 3 δευτερόλεπτα (το άναμμα του led 0 δείχνει πάντα παρουσία τάσης) και ρυθμίζεται προκαθορισμένα η λειτουργία “**AUTO MODE**” με άναμμα της λυχνίας “**ON**”. Η αντλία θα αρχίσει να λειτουργεί εάν η πίεση θα είναι μικρότερη από την τιμή CUT –IN και η ροή μικρότερη από την ελάχιστη ροή cut-in. Η αντλία θα παραμείνει σε λειτουργία μέχρι η πίεση να γίνει μικρότερη από την τιμή CUT-OUT, μετά από την επίτευξη της οποίας θα σβήσει ανεξάρτητα από την ροή.

Εάν αντίθετα επιλεγεί η λειτουργία “**MANUAL MODE**”, πατώντας μία φορά το κουμπί “**MODE**”, η αντλία θα ξεκινήσει εάν το Led “**ON**” είναι αναμμένο, διαφορετικά πατώντας “**SET**”, η αντλία θα σβήσει και θα ανάψει το led “**OFF**”.

Όταν η αντλία θα αρχίσει να λειτουργεί θα μπει στη λειτουργία ΑΡΧΙΚΗΣ ΠΛΗΡΩΣΗΣ ΤΗΣ ΑΝΤΛΙΑΣ.

Σημείωση. Βεβαιωθείτε ότι έχετε ακολουθήσει τις οδηγίες για την εγκατάσταση και ότι η αντλία έχει γεμίσει τελείως με νερό.

9.2.2 Φάση αρχικής πλήρωσης της αντλίας

Όταν η αντλία αρχίσει να λειτουργεί, θα μπει στη λειτουργία βυθίσματος, κατά τη φάση αυτή εάν δεν εντοπιστεί ροή και πίεση θα διατηρηθεί αναμμένος ο κινητήρας για 3 λεπτά μετά από τα οποία θα μπει σε συναγερό ξηράς λειτουργίας. Εάν αντίθετα σ' αυτό το χρονικό διάστημα εντοπιστεί ροή ή πίεση, θα γίνει η αρχική πλήρωση της αντλίας και η αντλία θα λειτουργήσει κανονικά.

9.2.3 Reset συναγερό

Όταν παρουσιάζεται ένας συναγερό θα ανάψει η κόκκινη λυχνία στο “**ALARM**”. Το reset του συναγερού γίνεται πατώντας μία φορά το κουμπί “**SET**”, εάν η αιτία που το προκάλεσε έχει εξαλειφθεί συνεχίζεται η κανονική λειτουργία, διαφορετικά η αντλία θα τεθεί και πάλι σε συναγερό.

9.2.4 Ένδειξη τάσης ON/OFF

Εάν υπάρχει τάση το Led πίεσης 0 στη μπάρα Led θα ανάψει. Εάν δεν υπάρχει τάση αυτό το Led θα παραμείνει σβηστό. Σημείωση. Για μεγάλες περιόδους ακινητοποίησης συνιστάται να αφαιρείτε την τάση αποσυνδέοντας το φως από το ρεύμα.

9.2.5 Ένδειξη αντλίας On/off

Όταν λειτουργεί ο κινητήρας, πρέπει να ανάψει ένα μπλε φως στο “**PUMP ON**” δείχνοντας τη λειτουργία. Όταν ο κινητήρας σταματήσει αυτό το Led θα σβήσει.

9.2.6 Ένδειξη Συναγερό

Ένα κόκκινο σταθερό φως ή πλήκτρο στο “**ALARM**” ενεργοποιείται όταν υπάρχει ένας συναγερό.

Ξηρά λειτουργία (Dry-running): κόκκινο σταθερό φως.

Διαρροή (Leakage): αργή παλμική κίνηση.

Max Pump ON (η αντλία λειτουργεί για περισσότερα από 30 λεπτά): 2 γρήγορες αναλαμπές ακολουθούμενες από διάστημα μεγαλύτερης παύσης.

Πατήστε “**SET**” για να κάνετε το reset των συναγερό.

9.2.7 Προστασία από την Ξηρά λειτουργία (Dry running protection)

Εάν η αντλία λειτουργεί ξηρά, μετά από μερικά δευτερόλεπτα (40 δευτερόλεπτα) σταματάει και παρουσιάζεται μία ένδειξη σφάλματος με σταθερά αναμμένη κόκκινη λυχνία στο “**ALARM**”.

Μετά από μία πρώτη περίοδο 30 λεπτών κατά τα οποία η αντλία είναι σε κατάσταση OFF γίνεται μία νέα προσπάθεια επανεκκίνησης με διάρκεια 5 λεπτών. Εάν δεν έχει και αυτή η προσπάθεια καλή έκβαση θα γίνεται μία νέα προσπάθεια κάθε 30 λεπτά, μέχρι το ανώτερο 48 φορές. Εάν όλες αυτές οι προσπάθειες αποτύχουν θα γίνεται μία κάθε 24 ώρες.

Η συσκευή βγαίνει αυτόματα από το συναγερό Ξηράς λειτουργίας, εάν παρουσιαστεί ροή και/ή πίεση.

Εάν γίνει reset του συναγερού, βλέπε 9.2.3, θα γίνει μία νέα προσπάθεια για 40 δευτερόλεπτα.

Εξαλείψτε τις αιτίες και κάντε reset του αλάρμ βλέπε 9.2.3.

9.2.8 Προστασία από τις διαρροές (ANTI-LEAKAGE)

Η λειτουργία μπορεί να ενεργοποιηθεί ή να απενεργοποιηθεί, από το εργοστάσιο είναι ρυθμισμένη στην απενεργοποίηση. Όταν είναι ενεργοποιημένη, εάν διαπιστωθεί η συνθήκη ότι η αντλία ξεκινά για περισσότερες από 6 φορές μέσα σε 2 λεπτά, θα σταματήσει και θα εμφανιστεί το σφάλμα μέσω του κόκκινου LED με αργή αναλαμπή στο “**ALARM**”. Εξαλείψτε τις αιτίες και κάντε reset του αλάρμ βλέπε 9.2.3.

Για τη διαδικασία ενεργοποίησης δείτε Anti-leakage.

9.2.9 Max pump on

Μέγιστη περίοδος λειτουργίας. Η λειτουργία μπορεί να είναι ενεργοποιημένη ή απενεργοποιημένη. Εργοστασιακά είναι απενεργοποιημένη. Όταν είναι ενεργοποιημένη, εάν διαπιστωθεί η συνθήκη ότι η αντλία λειτουργεί για περισσότερο από 30 λεπτά, θα σταματήσει, θα εμφανιστεί μία αναλαμπή στο ALARM.

Η λειτουργία αυτή χρησιμοποιείται για να προστατέψει την εγκατάσταση σε περίπτωση που ξεχάσετε κατά λάθος ανοιχτή τη βάνα, σε περίπτωση που σπάσει κάποια σωλήνωση, ή σε αρδευτικές εφαρμογές.

9.2.10 Συναγερό αισθητήρα πίεσης

Η διάταξη μπαίνει σε συναγερό αισθητήρα πίεσης εάν η τιμή πίεσης είναι εκτός του εύρους λειτουργίας (0-15 bar). Η αντλία σβήνει, θα γίνει reset του σφάλματος, μόλις οι συνθήκες πίεσης επανέλθουν εντός του εύρους.

9.3 Πρώτη εκκίνηση

9.3.1 Τεστ στα Led

Κατά την πρώτη εκκίνηση ή σε κάθε περίπτωση αφού συνδέσετε το φως με το ρεύμα γίνεται το Τεστ στα 20 LED, μερικά δευτερόλεπτα κατά τα οποία θα ανάψουν όλα τα Led διαδοχικά.

9.3.2 Πρώτη αρχική πλήρωση της αντλίας

Η αντλία θα είναι αυτόματα στη λειτουργία **AUTO** mode και θα ρυθμιστεί στο **ON**.

Μπορούμε να έχουμε τρεις συμπεριφορές:

- 1) Παρουσία ροής αλλά χαμηλή πίεση: βγαίνει από τη φάση βυθίσματος και αρχίζει η κανονική λειτουργία.
- 2) Πίεση αλλά όχι ροή: μετά από 10 δευτερόλεπτα κατά τα οποία παραμένει αυτή η συνθήκη, θα σβήσει η αντλία.
- 3) Καμία ροή ούτε πίεση: η αντλία θα σβήσει και θα εμφανιστεί ένα σφάλμα Ξηράς λειτουργίας, μετά από περίπου 3 λεπτά, επισημαινόμενο με αναμμένο κόκκινο led στο SET-ALARM. Εξαλείψτε την αιτία και κάντε reset του αλάρμ βλέπε 9.2.3.

9.4 Κανονικές λειτουργίες με απενεργοποιημένο CUT-OUT (εργοστασιακό)

Cut-out απενεργοποιημένο σημαίνει ότι έχουμε τις ακόλουθες συμπεριφορές:

- Η αντλία ενεργοποιείται εάν υπάρχει ροή ή λόγω απουσίας πίεσης, πίεση μικρότερη από το CUT IN (σε 10 ms)
- η αντλία σταματάει εάν υφίσταται η συνθήκη παρουσίας πίεσης, αλλά απουσίας Ροής συνεχώς για 10 δευτερόλεπτα.

Το led CUT OUT θα εμφανιστεί σβηστό κατά τη διάρκεια της κανονικής λειτουργίας. Για την τροποποίηση της ρύθμισης βλέπε 9.1.1.B

9.5 Κανονικές λειτουργίες με ενεργοποιημένο CUT-OUT

Cut-out ενεργοποιημένο σημαίνει ότι έχουμε τις ακόλουθες συμπεριφορές:

- Η αντλία ενεργοποιείται, εάν η πίεση είναι μικρότερη από την πίεση του CUT IN.
- Η αντλία σταματάει, εάν η πίεση είναι μεγαλύτερη από την πίεση του CUT OUT.

Το led CUT OUT θα εμφανιστεί αναμμένο κατά τη διάρκεια της κανονικής λειτουργίας. Για την τροποποίηση της ρύθμισης βλέπε 9.1.1.B

10. ΠΡΟΛΗΠΤΙΚΑ ΜΕΤΡΑ

ΚΙΝΔΥΝΟΣ ΠΑΓΩΜΑΤΟΣ: όταν η αντλία παραμένει σε ακινητοποίηση σε θερμοκρασία κάτω από 0°C, είναι απαραίτητο να βεβαιωθείτε ότι δεν υπάρχουν υπολείμματα νερού τα οποία, εάν παγώσουν, μπορούν να δημιουργήσουν ρωγμές στα πλαστικά μέρη.

Εάν η αντλία χρησιμοποιήθηκε με ουσίες που τείνουν να επικαθίσουν, ή με χλωριωμένο νερό ξεβγάλετε την μετά από τη χρήση, με δυνατή ρίψη νερού έτσι ώστε να μην σχηματιστούν ιζήματα ή επικαθίσεις που θα μπορούσαν να μειώσουν τα χαρακτηριστικά της αντλίας.

11. ΣΥΝΤΗΡΗΣΗ ΚΑΙ ΚΑΘΑΡΙΣΜΟΣ

Κατά την κανονική λειτουργία, η ηλεκτροκίνητη αντλία δεν απαιτεί καμία συντήρηση. Σε κάθε περίπτωση όλες οι επεμβάσεις επισκευής και συντήρησης πρέπει να γίνονται μονάχα αφού αποσυνδέσετε την αντλία από το δίκτυο ηλεκτρικής παροχής. Όταν θέτετε ξανά σε λειτουργία την αντλία, να βεβαιώνεστε ότι έχει επανασυναρμολογηθεί σύμφωνα με τους κανόνες της τέχνης, για να μην προκληθεί κίνδυνος σε πράγματα ή πρόσωπα.

11.1 Καθαρισμός του φίλτρου αναρρόφησης (Εικ. 3)

- Αποσυνδέστε την αντλία από την ηλεκτρική τροφοδότηση.
- Αποστραγγίστε την αντλία, ανοίγοντας την τάπα εκκένωσης (6), αφού έχετε κλείσει προηγουμένως τις θυρίδες ανάντη (εφόσον υπάρχουν).
- Ξεβιδώστε το καπάκι του θαλάμου του φίλτρου, με τα χέρια ή με το ειδικό παρεχόμενο εξάρτημα.
- Βγάλτε από ψηλά τη μονάδα του φίλτρου.
- Ξεβγάλετε το ποτήρι κάτω από νερό που τρέχει και καθαρίστε το φίλτρο με μία μαλακή βούρτσα.
- Συναρμολογήστε και πάλι το φίλτρο ακολουθώντας τις ενέργειες αντίστροφα.

11.2 Καθαρισμός της Ανασταλτικής Βαλβίδας (NRV) (Εικ. 4)

- Αποσυνδέστε την αντλία από την ηλεκτρική τροφοδότηση.
- Αφαιρέστε την τάπα της NRV (5) με το εξάρτημα που παρέχεται με τον εξοπλισμό.
- Αφαιρέστε την ανασταλτική βαλβίδα NRV και καθαρίστε την από ενδεχόμενες ακαθαρσίες.
- Συναρμολογήστε τα μέρη με αντίθετη φορά από τη σειρά αποσυναρμολόγησης.

12. ΑΝΑΖΗΤΗΣΗ ΒΛΑΒΩΝ



Πριν αρχίσετε την αναζήτηση βλαβών είναι απαραίτητο να διακόψετε την ηλεκτρική σύνδεση της αντλίας (βγάλτε το φως από την πρίζα). Εάν το καλώδιο τροφοδοσίας ή η αντλία παρουσιάζει φθορά σε οποιοδήποτε ηλεκτρικό της μέρος, η επέμβαση επισκευής ή η αντικατάσταση πρέπει να γίνει από τον Κατασκευαστή ή από την υπηρεσία τεχνικής υποστήριξής του ή από άτομο με ισοδύναμη ιδιότητα έτσι ώστε να αποφευχθεί κάθε κίνδυνος.

ΑΝΩΜΑΛΙΕΣ	ΕΞΑΚΡΙΒΩΣΕΙΣ (πιθανές αιτίες)	ΔΙΟΡΘΩΤΙΚΕΣ ΕΠΕΜΒΑΣΕΙΣ
1. Ο κινητήρας δεν ξεκινάει και δεν κάνει θόρυβο.	A. Ελέγξτε τις ηλεκτρικές συνδέσεις. B. Βεβαιωθείτε πως ο κινητήρας έχει τάση. C. Ελέγξτε τις προστατευτικές ασφάλειες. D. Πιθανή επέμβαση θερμικής προστασίας.	C. Αντικαταστήστε τις αν είναι καμένες. D. Περιμένετε περίπου 20 λεπτά μέχρι να κρυώσει ο κινητήρας. Ελέγξτε την αιτία που την προκάλεσε και εξαλείψτε την. ΣΗΜΑΝΤΙΚΟ: αν ξαναπαρουσιαστεί αμέσως η βλάβη σημαίνει πως ο κινητήρας έχει βραχυκύκλωμα.
2. Ο κινητήρας δεν ξεκινάει αλλά κάνει θόρυβο.	A. Βεβαιωθείτε πως η τάση του δικτύου αντιστοιχεί στην τάση της πινακίδας. B. Αναζητήστε τυχόν φραζήματα στην αντλία ή τον κινητήρα. C. Βεβαιωθείτε ότι ο άξονας δεν έχει μπλοκαριστεί. D. Ελέγξτε την κατάσταση του πυκνωτή.	B. Αποφράξτε. C. Χρησιμοποιήστε το παρεχόμενο εργαλείο για να ξεβιδώσετε το καπάκι και με ένα κατσαβίδι ξεμπλοκάρετε τον άξονα. D. Αντικαταστήστε τον πυκνωτή.
3. Ο κινητήρας περιστρέφεται με δυσκολία.	A. Βεβαιωθείτε πως η τάση τροφοδοσίας είναι επαρκής. B. Ελέγξτε για τυχόν τριβές ανάμεσα στα κινητά και σταθερά μέρη.	B. Εξαλείψτε τις αιτίες που προκαλούν την τριβή.
4. Η αντλία δεν έχει παροχή.	A. Η αντλία δεν έχει πληρωθεί σωστά. B. Ανεπαρκής διάμετρος σωλήνα αναρρόφησης. C. Φραγμένη ανασταλτική βαλβίδα NRV ή φίλτρο.	A. Γεμίστε με νερό την αντλία, και κάντε την αρχική πλήρωση της αντλίας, φροντίζοντας να βγάλετε τον αέρα ξεβιδώνοντας την τάπα εξαέρωσης. B. Αντικαταστήστε το σωλήνα με έναν μεγαλύτερης διαμέτρου. C. Ξανακαθαρίστε το φίλτρο και σε περίπτωση που δεν αρκεί την NRV.
5. Η αντλία δεν πληρούται.	A. Αναρρόφηση αέρα μέσω του σωλήνα αναρρόφησης. B. Η αρνητική κλίση του σωλήνα αναρρόφησης δημιουργεί θύλακες αέρα.	A. Εξαλείψτε το φαινόμενο, ελέγχοντας τη στεγανότητα των συνδέσεων και τη σωλήνωση αναρρόφησης, και επαναλάβετε την ενέργεια της αρχικής πλήρωσης της αντλίας. B. Διορθώστε την κλίση του σωλήνα αναρρόφησης.
6. Ανεπαρκής παροχή της αντλίας.	A. Ο σωλήνας αναρρόφησης είναι φραγμένος. B. Φθαρμένη ή φραγμένη φτερωτή. C. Ανεπαρκής διάμετρος σωλήνα αναρρόφησης.	A. Καθαρίστε το σωλήνα αναρρόφησης. B. Αποφράξτε ή αντικαταστήστε τα φθαρμένα εξαρτήματα. C. Αντικαταστήστε το σωλήνα με έναν μεγαλύτερης διαμέτρου.
7. Η αντλία λειτουργεί με κραδασμούς και θόρυβο.	A. Βεβαιωθείτε πως είναι στερεωμένη η αντλία και οι σωληνώσεις. B. Η αντλία παρουσιάζει σπληναιωση, δηλαδή απαιτεί ποσότητα νερού μεγαλύτερη από την ποσότητα που μπορεί να αντλήσει. C. Η αντλία δουλεύει πέραν από τα όρια της πινακίδας της.	A. Στερεώστε καλύτερα τα χαλαρωμένα εξαρτήματα. B. Μειώστε το ύψος αναρρόφησης ή ελέγξτε τις απώλειες φορτίου. C. Μπορεί να απαιτείται μείωση της παροχής στην κατάθλιψη.

13. ΕΓΓΥΗΣΗ



Όποιαδήποτε μη συμφωνημένη τροποποίηση, απαλλάσσει τον Κατασκευαστικό Οίκο από κάθε ευθύνη.

Όλα τα ανταλλακτικά που θα χρησιμοποιηθούν στις επισκευές πρέπει να είναι γνήσια. Επίσης όλα τα βοηθητικά εξαρτήματα πρέπει να είναι συγκεκριμένα από τον κατασκευαστικό οίκο, έτσι ώστε να εξασφαλίζεται η μέγιστη ασφάλεια των μηχανημάτων και των εγκαταστάσεων στις οποίες μπορεί να είναι εγκατεστημένα.

Το προϊόν αυτό καλύπτεται από νόμιμη εγγύηση (στην Ευρωπαϊκή Κοινότητα 24 μήνες από την ημερομηνία αγοράς) σε σχέση με όλα τα ελαττώματα που οφείλονται σε κατασκευαστικά ελαττώματα ή στο υλικό που χρησιμοποιήθηκε.

Το προϊόν υπό εγγύηση, κατά διακριτική κρίση, θα μπορεί να αντικατασταθεί με ένα άλλο το οποίο να είναι σε τέλεια κατάσταση λειτουργίας

ή να επισκευαστεί δωρεάν εφόσον τηρούνται οι παρακάτω συνθήκες:

- το προϊόν να έχει χρησιμοποιηθεί με σωστό τρόπο και σύμφωνα με τις οδηγίες και να μην έχει γίνει καμία προσπάθεια επιδιόρθωσής του από τον αγοραστή ή από τρίτους.
- Το προϊόν να έχει παραδοθεί στο κατάστημα πώλησης από το οποίο έχει αγοραστεί, συνοδευόμενο από το παραστατικό που βεβαιώνει την αγορά (τιμολόγιο ή φορολογική απόδειξη) και από μία σύντομη περιγραφή του προβλήματος που παρουσιάστηκε.

Η φερωτή και τα μέρη που υπόκεινται σε φθορά, δεν καλύπτονται από την εγγύηση. Η καλυπτόμενη με την εγγύηση επέμβαση δεν επεκτείνεται σε καμία περίπτωση την αρχική περίοδο.

INDEKS

1. RAKENDUSED	74
2. PUMBATAVAD VEDELIKUD	75
3. TEHNILISED ANDMED JA KASUTUSPIIRANGUD	75
4. KASUTAMINE.....	75
4.1 Hoiuruum	75
4.2 Transport	75
4.3 Kaal ja mõõtmised	75
5. HOIATUSED.....	75
6. PAIGALDUS.....	76
7. ELEKTRIÜHENDUS.....	76
8. KÄIVITAMINE	76
9. ELEKTROONILINE HALDUSLIIDES	77
9.1 Omaduste ülevaade	77
9.1.1 Kuvari kirjeldus.....	77
9.2 Funktsioonide kirjeldus	78
9.2.1 Pump ON/OFF (AUTO MODE, MANUAL MODE)	78
9.2.2 Ettevalmistusfaas	79
9.2.3 Alarmi algoleku taastamine	79
9.2.4 Pinge ON/OFF-indikaator	79
9.2.5 Pumba ON/OFF-indikaator	79
9.2.6 Alarmiindikaator	79
9.2.7 Kuivalt töötamise vastane kaitse (dry running protection)	79
9.2.8 Lekete vastane kaitse (ANTI-LEAKAGE)	79
9.2.9 Max pump on	79
9.2.10 Survesensori alarm	79
9.3 Esimene käivitamine	79
9.3.1 LED-test	79
9.3.2 Esimene ettevalmistusfaas	79
9.4 Normaalne toimimine, kui CUT-OUT-funktsioon on välja lülitatud (vaikimisi mudelil)	79
9.5 Normaalne toimimine CUT-OUT-funktsiooni sisselülitamise korral	80
10. ETTEVAATUSABINÕUD	80
11. HOOLDUS JA PUHASTAMINE.....	80
11.1 Sisendvõre puhastamine	80
11.2 Tagasilöögiklapi puhastamine	80
12. VEAOTSING	80
13. GARANTII	81

HOIATUSED



Enne paigaldamist lugege kõik juhised:



Enne sekkumist eemaldage pistik vooluvõrgust. Vältida täielikult kuiva töörežiimi.



Kaitske pumba karmide ilmastikuolude (halva ilma) eest.



Ülekoormuse kaitse. Pumbal on termalne ülekoormuse katkesti. Mootori ülekuumenemise korral lülitab mootori kaitse pumba automaatselt välja. Jahtumisaeg on umbes 15–20 minutit. Pärast seda lülitub pump jälle automaatselt sisse. Pärast ülekoormuse kaitse aktiveerumist on alati tarvis välja uurida ülekoormuse põhjus ning see kõrvaldada. Lugege peatükki „Veaotsing“.

1. RAKENDUSED

Iseimevad tsentrifuugpumpad, millel on suurepärane imemisvõime ka karboniseeritud vee puhul. Eriti sobivad talumajapidamistes veevarustuse ja -surve tagamiseks. Sobivad väikestesse aedadesse ja aiapidamiseks, talupidamiseks, kodusteks hädaolukordadeks ja üldisemalt hobitegevusteks. Tänu kompaktselsele ja käepärasele kujule on neid pumpasid võimalik kasutada ka teistsaldatavate pumpadena hädaolukordades nagu näiteks vee kogumiseks veehoidlatest või jõgedest. **Wifiga toodete kohta vt kirjuhendist.**



Neid pumpasid ei tohi kasutada basseinides, tiikides, kraanikaussides, *kui inimesed on sees*, või süsivesinike pumpamiseks (bensiin, diiselmootor, kütteeõli, lahustid jne.) vastavalt kehtivatele ohutuse eeskirjadele. Enne hoiule panemist oleks soovitatav puhastada. Vt peatükki "puhastamine ja hooldus".

2. PUMBATAVAD VEDELIKUD

Puhtad, ei tohi sisaldada tahkeid aineid, olla abrasiivsed või söövitavad.

Magevesi	•
Vihmavesi (filtered)	•
Heitvesi - puhas	○
Reovesi - must	○
Purskkaevuvesi (filtered)	•
Jõe- või järvevesi (filtered)	•
Joogivesi	•

Tabel 1

- Sobiv
- Ei sobi

3. TEHNILISED ANDMED JA KASUTUSPIIRANGUD

- **Toitepinge: 220-240V**, vt elektriandmete plaadile.
- **Voolukaitsmed (220-240V versioon):** soovituslikud väärtused (amprites).
- **Säilitustemperatuur:** -10°C +40°C.

Mudel	Voolukaitsmed 220-240V 50 Hz
P1= 850	4
P1= 1100	6
P1= 640	4
P1= 920	6

Tabel 2

	Mudel	P1=850	P1=1100	P1=640	P1=920
Elektriandmed	P1 nominaalne imemisvõimsus [W]	850	1100	640	920
	P2 [W]	600	750	380	560
	Võrgupinge [V]	1~220-240 AC			
	Sagedus [Hz]	50			
	Vool [A]	3.88	4.58	3.10	4.20
	Kondensaator [µF]	12.5	16	16	12.5
	Kondensaator [Vc]	450			
Hüdraulilised andmed	Jõudlus max. l/h	3180	3750	3600	4800
	Max veesammas. [m]	43	45	32	40
	Max veesammas. [bar]	4.3	4.5	3.2	4.0
	Maksimaalne surve [bar]	6			
	Maksimaalne imemissügavus [m/min]	8m / <3min		6m / < 3min	
Kasutusala	Pikkus. Toitejuhe [m]	1.5			
	Kaabli tüüp	H07 RNF			
	Mootori kaitse	IP X4			
	Isolatsiooniklass	F			
	Vedeliku temperatuurivahemik [°C] Vastavalt EN 60335-2-41 koduseks kasutamiseks	0 °C / +35 °C			
	Osakeste max. suurus	Clean water			
	Max. Õhutemperatuur [°C]	+40 °C			
Kaal	DNM GAS	1" M			
	Net/gross kaal ca. [kg]	9.6/11.8	10.3/12.5	10.1/12.1	10.9/12.9

Tabel 3



Pump ei suuda torude raskust kanda ning seetõttu tuleb torud muul moel toetada.

4. KASUTAMINE

4.1 Hoiuruum

Kõik pumbad peavad olema ladustatud siseruumides, kuivas ja võimaluse korral konstantse niiskuse juures, vibratsiooni- ja tolmuvaibalt. Tarnitakse originaalpakendis, kuhu nad peavad jääma kuni paigaldamiseni.

4.2 Transport

Vältida toodete rappumist või pörkumist.

4.3 Kaal ja mõõtmed

Isekleepuv etikett pakendil näitab elektropumba kogukaalu ja selle suurust.

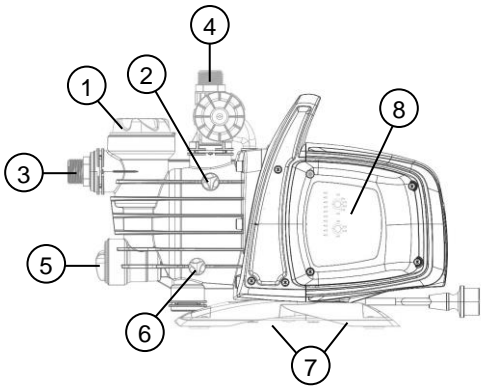
5. HOIATUSED



Pumpasid ei tohi kunagi transportida, tõsta või liigutada toitejuhtmest tõmmates, kasutage alati pumba käepidid.

- Pumpa ei tohi kunagi kasutada kuivalt.
- Soovitav on õhutus-/tühjenduskorke (2 ja 6) avada/sulgeda ilma liigset jõudu kasutamata.

6. PAIGALDUS



- 1 Eelfilter
- 2 Tõmbeluugi kate
- 3 Reguleeritav imiühendus
- 4 Väljalaskeühendus
- 5 Integreeritud tagasilöögiklapp
- 6 Äravooluava kate
- 7 Vibratsioonivastased kummijalad
- 8 Elektrooniline haldusliides

Pump tuleb paigaldada kohta, mis oleks kaitstud ebasoodsate kliimatingimuste eest ning mille temperatuur ei ületaks 40°C. Pumbal on vibratsioonivastased jalad, kuid fikseeritud paigalduse korral võite need fikseerida.

Ennetage seda, et torud võiksid pumba sisendites (3) ja (4) ülekoormust edasi kanda – sellega väldite deformatsioone või purunemisi.

Alati on soovitatav paigaldada pump pumbatavale vedelikule võimalikult lähedale.

Pump peab olema paigaldatud horisontaalsesse asendisse.

Torude sisemine diameeter ei tohi kunagi olla väiksem kui pumba sisendi diameeter. Imemispoleel on pumbal filter (1) ja tagasilöögiklapp (5). Imemissügavustel, mis ületavad neljameetrit, või märkimisväärselt horisontaalsete radade korral on soovitatav kasutada imemistoru, mille diameeter on suurem kui pumba sisendil. Imemisvoolikus õhutaskute tekke vältimiseks veenduge, et imemistoru oleks pumba suhtes kergelt positiivse kaldega. Joonis 2

Kui imemistoru on valmistatud kummist või pandlikust materjalist, kontrollige alati, et see oleks tugevdatud ja vaakumikindel, et ennetada toru kokku tõmbumist imemise tagajärjel.

Fikseeritud paigalduse korral soovitame nii imemis- kui ka väljundpoolele paigaldada väljalülitusventiil. See võimaldab teil pumba liini ülemjooksu või alamjooksu sulgeda ajaks, mil pump ei ole kasutuses, või selleks, et teha hooldustöid või pumba puhastada. Paigaldamise lihtsustamiseks on pumbal pöörlevad sisendid (3) ja (4).

Painduvate voolikutega korral kasutage vajadusel kaart joonisel 1 ning aiakomplekti, mille hulka kuuluvad PE voolik ja pihustiotsikute komplekt, mis pole komplektis, kuid mille saab eraldi osta.

Väga väikeste mullaosakeste korral peaksite lisaks integreeritud filtrile (1) kasutama ka pumba sisendi filtrit, mis paigaldatakse imivoolikule.

- Vältige liigselt käivitusi ühe tunni jooksul; on rangelt soovituslik mitte ületada 20 käivituskorda tunni kohta.



Imivooliku diameeter peab olema võrdne pumba sisendi diameetriga või sellest suurem, vaadake tabelit 3.

7. ELEKTRIÜHENDUS



Veenduge, et toitepinge vastab mootori plaadil toodud pingele ning et kasutatakse head maandusühendust. **Järgige infoplaadil ja selles käsiraamatus toodud juhendeid, 3 tabel.**

Pumba toitejuhtme pikkus seab paigalduskaugusele piirangud. Kui peate kasutama pikendusjuhet, veenduge, et see oleks sama tüüpi (näiteks H05 RN-F või H07 RN-F sõltuvalt paigaldusest), vaadake tabel.3.

8. KÄIVITAMINE



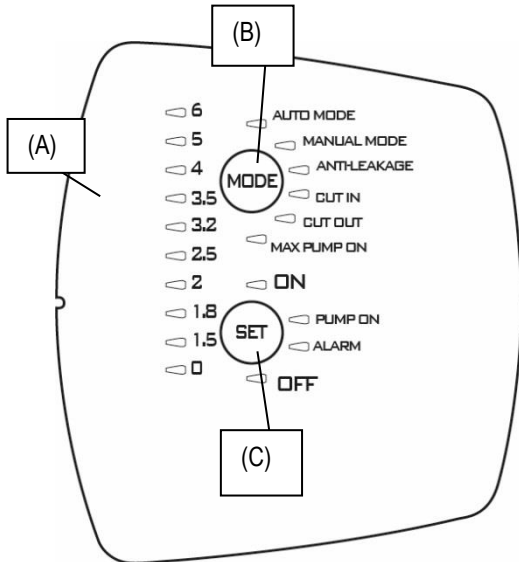
Ärge käivitage pumba ilma, et oleksite selle täielikult veega täitnud – umbes 4 liitrit, kuni vedelik voolab äravooluavast (2) välja. Vee otsa lõppemise korral ühendage pump otsekohe vooluvõrgust lahti, et see välja lülitada. Ärge laske pumbal kuivalt töötada.

1. Enne pumba käivitamist veenduge, et see oleks nõuetekohaselt ette valmistatud ning täielikult puhta veega täidetud – tehke seda seda ava kaudu pärast läbipaistva filtri (1) käsitsi või komplektis oleva tööriistaga eemaldamist. Avage samal ajal õhu välja laskmiseks ka tõmbeluuk (2). See tegevus on oluline selleks, et tagada pumba õige töö, et mehhaaniline tihend oleks nõuetekohaselt määritud. **Kuivalt töötamine tekitab mehhaanilisele tihendile parandamatuid kahjustusi.**
2. Täiteava kork tuleb seejärel hoolikalt lõpuni tagasi keerata (1) ning tagasi tuleb panna ka tõmbeluugi kate (2).
3. Ühendage toitejuhe 220-240V seinakontaktiga. **Varoitus!** Pumpun moottori käynnistyy väliltömästi. Vettä alkaa tulla ulos enintään 3 minuutin kuluttua riippuen kaivon tai säiliön vedensyvyydestä.
4. Pump jätkab tööd ning vee väljastamist. Tähelepanu! Ärge laske pumbal kuivalt töötada.
5. Pumba välja lülitamiseks tõmmake see vooluvõrgust välja.



Kui praimimisega on probleeme, korrake toimingut, kuni kogu õhk imitorust on kadunud.

9. ELEKTROONILINE HALDUSLIIDES



9.1 Omaduste ülevaade

Kirjeldus	Parameetrid
Pinge, juhtplaadi sagedus	1x220-240V, 50/60 Hz
Pinge sees/väljas indikaator	●
Mootor sees/väljas indikaator	●
Alarmiindikaator	●
Surveindikaator	●
Režiimiindikaator	●
Automaatrežiim	●
Manuaalrežiim	○
Kaitse kuivalt töötamise eest	●
Lekkevastane kaitse	○
Pumba maksimaalse tööaja kaitse	○ (30 minutit)
Sisselülitusrõhk	○ Varieeruv (1,5 – 3,0 bar)
Väljalülitusrõhk	○ (sisselülitus+ 1 bar)
Iseimemine	●
Valikunupud	●

● = fikseeritud; ○ = valitav

9.1.1 Kuvari kirjeldus:

(A) surve LED-indikaatorid

Surveindikaatoritena ulatuses 0 kuni 6 bar kasutatakse 10 LED-lampi. Süsteemi surve muutumisel lülituvad LED-tuled vastavalt sisse ja välja.

Function	Kuvari konfiguratsioon	Seadistus	Alarmi algoleku taastamine
Auto Mode		ON: lülitage sisse OFF: lülitage välja	
Manual mode		ON: lülitage sisse OFF: lülitage välja	
Anti-leakage		ON: lülitage sisse OFF: lülitage välja	Vajutage SET-nuppu
Cut in		Juurde/maha	
Cut out		Juurde/maha OFF: lülitage välja	
Max pump on		ON: lülitage sisse OFF: lülitage välja	Vajutage SET-nuppu

(B) Režiimivaliku nupp (MODE)

Valitavad režiimid:

- | | |
|------------------|-----------------|
| 1) AUTO_MODE; | 4) CUT_IN; |
| 2) MANUAL_MODE; | 5) CUT_OUT, |
| 3) ANTI LEAKAGE; | 6) MAX_PUMP_ON; |

MODE-režiimis valikute avamiseks vajutage MODE-nuppu ja hoidke seda 5 sekundi vältel all.

Erinevate töörežiimide (AUTO_MODE või MANUAL_MODE) või muudetavate parameetrite (CUT IN/CUT OUT) või rakendatavate funktsioonide (ANTI-LEAKAGE ja MAX PUMP ON) vahel liikumiseks vajutage **MODE**-nuppu. Režiimide vahel liikudes vilgub valitud funktsiooni LED-lamp. Režiimi AUTO_MODE tagasi liikumisel märgitakse aktiivseid funktsioone vastavate LED-tulede sisselülitamisega. Vt punkti 2 (funktsioonide kirjeldus).

Režiimiindikaatorid

AUTO MODE: pump töötab automaatrežiimil, vt punkti 9.2.1

MANUAL MODE: pump töötab manuaalrežiimil (vt punkti 9.2.1), kasutaja saab otsustada, millal pumba sisse ja välja lülitada, vajutades selleks **SET**-nuppu. SET-ON=sisse lülitatud, SET-OFF=välja lülitatud.

CUT-IN: surveseadistused (alati sees) minimaalne surve, millest väiksema surve korral pump aktiveeritakse – võimalik seadistada 1,5 ja 3,0 bar vahele, tehase vaikeseadistus on 1.8 bar, pump aktiveeritakse isegi siis, kui vool on alla minimaalse taseme 1,5 l/min (tehase vaikeseadistus).

CUT-OUT: surveseadistused (puudub) millest kõrgema surve korral pump seiskub, tehase vaikeseadistus on "CUT-IN" + 1 LED, kuid seda on võimalik tõsta tasemele kuni 3.5 bar (50.8 psi).

Seadistuse sisselülitamiseks valige funktsioon, vajutades **MODE**-nuppu, kuni režiimi CUT-OUT LED-tuli vilkuma hakkab ning seejärel:

- 1) vajutage **10 sekundi** jooksul nuppu SET, et võimaldada funktsiooni lubamine (nüüd lülitatakse sisse rõhuväärtuste LED-märgutuled),
- 2) soovitud väärtuse valimiseks vajutage nuppu SET,
- 3) funktsiooni keelamiseks määrake CUT-OUT väärtuseks 0 [bar või psi],
- 4) väljuge sätetest, vajutades nuppu **MODE**.

MÄRKUS: CUT-OUT väärtust saab muuta AINULT peale funktsiooni lubamist, vajutades selleks 10 sekundi jooksul nuppu SET. Kui ühe sekundi jooksul ei ole ühtegi nuppu vajutatud, keelatakse funktsioon uuesti.

ANTI-LEAKAGE: lekkevastane kaitse. Seda funktsiooni on võimalik sisse või välja lülitada. Tehase vaikeseadete kohaselt on see välja lülitatud. Sisse lülitatuna tähendab see seda, et juhul, kui pump käivitub 2 minuti jooksul enam kui 6 korda, siis see seisatakse ning veast antakse märku punase **ALARM**-LED-tule aeglase vilkumisega.

Sisselülitamiseks valige vastav funktsioon, vajutades **MODE**-nuppu, kuni vastav LED-tuli vilkuma hakkab, seejärel vajutage **SET**-nuppu, kuni LED-tuli ON sisse lülitub. Välja lülitamiseks vajutage **SET**-nuppu, kuni indikaatorituli näitab, et seadistus on OFF.

Pärast vea põhjuse kõrvaldamist lülitage alarm välja (juhul, kui see veel aktiivne on, vaadake punkti 9.2.3).

MAX PUMP ON: maksimaalne tööaeg. Seda funktsiooni on võimalik sisse või välja lülitada. Tehase vaikeseadete kohaselt on see välja lülitatud. Kui see on sisse lülitatud, tähendab see, et kui pump töötab järjest rohkem kui 30 minutit, lülitatakse see välja ning veateadet ei ilmu.

Funktsiooni kasutatakse seadme kaitsmiseks juhtudel, kui kraan on lahti ununenud, veetoru purunenud või niisutusrakenduste korral. Sisselülitamiseks valige vastav funktsioon, vajutades **MODE**-nuppu, kuni režiimi MAX PUMP ON LED-tuli vilkuma hakkab, seejärel vajutage **SET**-nuppu, kuni valiku ON LED-tuli sisse lülitub. Väljalülitamiseks vajutage **SET**-nuppu, kuni indikaatorituli näitab, et seadistus on OFF.

(C) Valikunupp SET

Valitavad režiimid:

- 1) alarmide algoleku taastamine;
- 2) režiimide sisse-/väljalülitamine (MAX_PUMP_ON, ANTILEAKAGE);
- 3) režiimide parameetrite suurendamine (CUT_IN; CUT_OUT);
- 4) MANUAALrežiimis mootori sisse- ja väljalülitamine (ON/OFF);
- 5) AUTOMAATrežiimis pumba aktiveerimine ja ooterežiimile panemine.

Parameetrite vahetamiseks vajutage **SET**-nuppu, kui režiimide CUT IN või CUT OUT LED-tuli põleb, seejärel kuvatakse vastav väärtus surveindikaatori LED-skaalal. Väärtus tõuseb **SET**-nupu vajutamisel. Pärast soovitud väärtuse seadistamist, väljuge seadistusrežiimist, vajutades **MODE**-nuppu, lülitage sisse režiim AUTO ning valige SET ON.

Vajutage **SET**-nuppu ka funktsioonide Anti-leakage ja Max Pump On sisse-/väljalülitamiseks. Pärast **MODE**-nupule vajutamisega funktsiooni valimist lülitage see sisse, valides selleks SET-ON. Väljalülitamiseks valige SET-OFF.

MANUAALrežiimis saab **SET**-nuppu kasutada pumba sisse- ja väljalülitamiseks, LED-tuled näitavad, kas pump on ON või OFF.

Automaatrežiimil kasutatakse seda pumba sisselülitamiseks (ON) või pumba ooterežiimile panemiseks (OFF).

PUMP ON: indikaator näitab, et mootor töötab.

9.2 Funktsioonide kirjeldus**9.2.1 Pump ON/OFF (AUTO MODE, MANUAL MODE)**

Väljalülitus väljas □ Pistiku voluvõrku ühendamisel pärast LED-tulede testi käivitub pump 10 sekundi möödudes.

Väljalülitus sees □ Pistiku voluvõrku ühendamisel testitakse LED-tulesid esimese 3 sekundi jooksul (LED 0 näitab alati pinge olemasolu) ning vaikimisi seadistatakse režiim **AUTO MODE** ning süttib tuli **ON**. Pump käivitub, kui surve on madalam kui CUT-IN-väärtus ning vool on väiksem kui minimaalne sisselülitusvool. Pump jätkab tööd, kuni surve on madalam kui CUT-OUT-väärtus. Sellele tasemele jõudmisel lülitub pump välja olenemata voolu väärtusest.

Kui **MODE**-nupu uuesti vajutamisega valitakse hoopis **MANUAL MODE**, siis käivitub pump juhul, kui põleb LED-tuli **ON**, muul juhul lülitub pump SET-nupu vajutamisel välja ning süttib LED-tuli **OFF**.

Pumba käivitumisel lülitub see PRIMING- ehk ettevalmistusrežiimi.

NB: Palun veenduge, et olete järginud paigaldusjuhiseid ning pump on täielikult veega täidetud.

9.2.2 Ettevalmistusfaas

Pumba käivitumisel lülitub see PRIMING-režiimi. Selles faasis – kui ei tuvastata survet ega voolu – töötab mootor 3 minutit, pärast mida aktiveerub kuivalt töötamise alarm. Kui selle ajaperioodi jooksul tuvastatakse vool või surve, on ettevalmistumine lõpetatud ning pump jätkab normaalset tööd.

9.2.3 Alarmi algoleku taastamine

Häire korral lülitub sisse punane LED-tuli **ALARM**. Alarmi algolekut on võimalik taastada, vajutades ühe korra SET-nuppu. Kui alarmi põhjus on kõrvaldatud, võite tavalise tööga jätkata, muul juhul jätkab pump alarmi kuvamist.

9.2.4 Pinge ON/OFF-indikaator

Pinge olemasolul süttib LED 0 surve LED-skaalal. Pinge puudumise korral on see LED-tuli väljas.

NB: pikemate tööseisakute korral on soovitatav pump vooluvõrgust lahti ühendada.

9.2.5 Pumba ON/OFF-indikaator

Mootori töötamise ajal peaks põlema sinine tuli **PUMP ON**, mis näitab, et seade töötab normaalselt. Mootori seiskumisel see LED-tuli kustub.

9.2.6 Alarmiindikaator

Häire tekkel aktiveerub püsivalt põlev või pulseeriv punane **ALARM**-tuli.

Kuivalt töötamine: püsiv punane tuli.

Kadu (leke): aeglane pulseerimine.

Max Pump SEES (pump töötab kauem kui 30 minutit): 2 kiiret vilkumist, mille vahel on pikem paus.

Alarmide lähtestamiseks vajutage nupule SET.

9.2.7 Kuivalt töötamise vastane kaitse (dry running protection)

Kui pump töötab kuivalt, siis lülitub see mõne sekundi (40 sek) möödumisel välja ning häirest antakse märku püsivalt põleva punase **ALARM**-tulega.

Pärast esialgset 30-minutilist perioodi, mille jooksul pump on välja lülitatud, tehakse uus 5-minutiline katse pumba taaskäivitada. Ebaedu korral tehakse uus katse iga 30 minuti järel, kuni maksimaalselt 48 korda. Kui kõik need katsed nurjuvad, tehakse uus katse iga 24 tunni järel.

Seade taastub kuivalt töötamise häirest automaatselt siis, kui vool ja/või surve taastuvad.

Alarmi algoleku taastamisel (vt punkti 9.2.3) tehakse uus 40-sekundiline katse.

Kõrvaldage häire põhjused ning taastage alarmi algolek (vaadake punkti 9.2.3)

9.2.8 Lekete vastane kaitse (ANTI-LEAKAGE)

Seda funktsiooni on võimalik sisse või välja lülitada. Tehase vaikeseadete järgi on see välja lülitatud. Sisse lülitatuna tähendab see seda, et kui pump peaks käivituma enam kui 6 korda 2 minuti jooksul, siis see seisatakse ning veast antakse märku punase **ALARM**-tule aeglase vilkumisega.

Kõrvaldage häire põhjused ning taastage alarmi algolek (vaadake punkti 9.2.3).

Sisselülitamiseks vaadake punkti Anti-leakage.

9.2.9 Max pump on

Maksimaalne tööaeg. Seda funktsiooni on võimalik sisse või välja lülitada. Tehase vaikeseadete kohaselt on see välja lülitatud. Kui antud funktsioon on sisse lülitatud, tähendab see seda, et kui pump töötab järjest rohkem kui 30 minutit, lülitatakse see välja ning **ALARM**-tuli hakkab vilkuma.

Funktsiooni kasutatakse seadme kaitsmiseks juhtudel, kui kraan on lahti ununenud, veetoru purunenud või niisutusrakenduste korral.

9.2.10 Survesensori alarm

Seade kuvab survesensori alarmi, kui surveväärtus on väljaspool töövahemikku (0-15 bar). Pumba väljalülitamisel taastatakse veale eelnenud seisund kohe, kui survetingimused vastavad seadistatud vahemikule.

9.3 Esimene käivitamine

9.3.1 LED-test

Esimesel käivitamisel ning igal korral pärast vooluvõrku ühendamist toimub esmalt 20 LED-tule testimine - mõne sekundi jooksul lülitatakse järjest sisse kõik LED-tuled.

9.3.2 Esimene ettevalmistusfaas

Pump on automaatselt **AUTO**-režiimil ning sisse on lülitatud **ON**.

Edasiseks on kolm varianti:

- 1) vool on olemas, kuid surve on madal: pumba ettevalmistusfaas lõppeb ning algab normaalne töö;
- 2) surve on olemas, kuid voolu ei ole: pärast 10 sekundit sellises olekus lülitub pump välja;
- 3) surve ja vool puuduvad: pump lülitub välja ning umbes 3 minuti jooksul kuvatakse kuivalt töötamise häire, mida märgib punane LED-tuli SET-ALARM. kõrvaldage häire põhjused ning taastage alarmi algolek (vaadake punkti 9.2.3).

9.4 Normaalne toimimine, kui CUT-OUT-funktsioon on välja lülitatud (vaikimisi mudelil)

Kui CUT-OUT-funktsioon on välja lülitatud, siis toimib pump järgmiselt:

- pump aktiveerub, kui vool on olemas või puudub surve – surve on madalam kui CUT-IN-väärtus (10 ms jooksul);
- pump seisatakse, kui surve on olemas, kuid vool puudub järjest 10 sekundit.

Normaalse funktsioneerimise korral LED-tuli CUT OUT ei põle. Seadistuse muutmiseks vaadake punkti 9.1.1. B

9.5 Normaalne toimimine CUT-OUT-funktsiooni sisselülitamise korral

Kui CUT-OUT-funktsioon on sisse lülitatud, siis käitub pump järgmiselt:

- pump aktiveerub, kui surve on madalam kui CUT-IN-surve väärtus.
- pump seisatakse, kui surve on kõrgem kui CUT-OUT-surve.

Normaalse funktsioneerimise korral põleb LED-tuli CUT OUT. Seadistuse muutmiseks vaadake punkti 9.1.1. B.

10. ETTEVAATUSABINÕUD

KÜLMUMISOHT: kui pumba miinuskraadide juures ei kasutata, peate veenduma, et selles ei oleks vett, mis võiks külmudes ja paisudes plastikosi kahjustada.

Kui pumba on kasutatud ainetega, mis kipuvad settima, või klooriveega, loputage seda pärast kasutamist tugeva veejoa all, et vältida kogumite või katlakivi teket, mis halvendaks pumba töomadusi.

11. HOOLDUS JA PUHASTAMINE

Tavakasutuses pump hooldust ei vaja. Igaljuhul peab hooldus või remont toimuma seadme vooluvõrgust väljalülitatuna. Pumba uuesti käivitamisel veenduge, et see oleks nõuetekohaselt kokku pandud, et mitte ohustada esemeid ja inimesi.

11.1 Sisendvõre puhastamine (Joonis 3)

- Lülitage vooluvõrgust välja.
- Laske pump veest tühjaks, avades selleks äravooluava (6) ning sulgedes esmalt ülemjooksu avamentiilid (kui need on olemas).
- Keerake filtrikambri kate kas käsitsi või komplektis oleva vastava tööriista abil lahti.
- Eemaldage see filtriüksuse kohalt.
- Loputage korki voolava veega ning puhastage filter pehme harjaga.
- Asetage filter tagasi, tegutsedes vastupidises järjekorras.

11.2 Tagasilöögiklapi puhastamine (Joonis 4)

- Lülitage vooluvõrgust välja.
- Eemaldage tagasilöögiklapi kate (5) komplektis oleva tööriistaga.
- Eemaldage tagasilöögiklapp ning puhastage see mustusest.
- Pange osad tagasi kokku vastupidises järjekorras koost lahti võtmisele.

12. VEAOTSING



Enne veaotsinguga alustamist peate pumba elektrivõrgust lahti ühendama (pistiku seinakontaktist välja tõmbama). Kui pumba toitejuhe või mis tahes muu elektriline osa on kahjustunud, peab riskide vältimiseks parandus- või vahetustöid tegema tootja või tootja tehnilise abi pakkuja või võrdse kvalifikatsiooniga isik.

VEAD	VÕIMALIKUD PÕHJUSED	LAHENDUSED
1. Mootor ei käivitu ega tekita müra.	A. Kontrollige üle elektriühendused. B. Veenduge, et mootoril on toide. C. Kontrollige kaitsmeid. D. Võimalik, et termaalne kaitse on käivitunud.	C. Läbipõlemise korral vahetage need välja. D. Oodake umbes 20 minutit, et mootor maha jahtuks. Tehke kindlaks rikke põhjus ja kõrvaldage see. Märkus: kui rike kordub kohe uuesti, tähendab see seda, et mootor on lühises.
2. Mootor ei käivitu, kuid tekkitab müra.	A. Veenuge, et toiteallika pinge vastab plaadil toodud spetsifikatsioonidele. B. Kontrollige, ega pumbas või mootoris takistusi pole. C. Veenduge, et võll ei oleks kinni kiilunud. D. Kontrollige kondensaatori seisundit.	B. Eemaldage takistus. C. Kasutage komplektis olevat tööriista katte avamiseks ning päästke võll kruvikeeraja abil lahti. D. Vahetage kondensaator välja.
3. Mootor töötab raskustega.	A. Veenduge, et toitepinge oleks piisav. B. Kontrollige, et paigal seisvad ja liikuvad osad teineteist ei kraabiks.	B. Eemaldage kraapimise põhjused.
4. Pumbast ei tule vett.	A. Pump ei ole nõuetekohaselt ette valmistatud. B. Imitoru diameeter on liiga väike. C. Tagasilöögiklapp või filter on ummistunud.	A. Täitke pump veega ning valmistage see ette, laske kindlasti ka ventilatsioonitava katte lahti kruvimisega õhk pumbast välja. B. Vahetage voolik suurema diameetriga vooliku vastu. C. Puhastage filter ning, kui sellest ei piisa, ka tagasilöögiklapp.

5. Pump ei valmistu ette.	A. Õhu sisse imemine imemisiini kaudu. B. Sisendtoru/vooliku negatiivne kalle soodustab õhutaskute teket.	A. Lahendage see probleem, kontrollides ühenduste ning imemistoru/vooliku tihedust ning korrake ettevalmistustegevusi. B. Korrigeerige imemisiini kallet.
6. Pumbast voolab liiga vähe vett.	A. Imemisvoolik on blokeeritud. B. Tööratas on kulunud või blokeeritud. C. Imitoru diameeter on liiga väike.	A. Puhastage imemistoru. B. Eemaldage takistus või vahetage kulunud osad välja. C. Vahetage voolik suurema diameetriga vooliku vastu.
7. Pump vibreerib ja tekitab müra.	A. Kontrollige, et pump ja torud oleksid kindlalt ühendatud. B. Pumba nõudlus vee järele on suurem kui pumba suutlikkus. C. Pump ei tööta vastavalt plaadil toodud spetsifikatsioonidele.	A. Kruvige kõik lahtised osad korralikult kinni. B. Vähendage imemiskõrgust või kontrollige lekete olemasolu. C. Kasuks võib tulla väljuva voolukiiruse piiramine.

13. GARANTII



Iga seadme varasemalt heakskiitmata muutmine vabastab tootja vastutusest. Kõik remondis kasutatavada varuosad peavad olema originaalid ja kõik lisandid peavad olema tootja poolt kinnitanud, et garanteerida seadmete ja süsteemide, kuhu see on paigaldatud maksimaalne turvalisus.

Sellel tootel on õiguslik garantii (Euroopa Ühenduses 24 kuud alates ostukuupäevast) defektide osas, mis on põhjustatud tootmisest või kasutatud materjalist.

Garantii all olev toode asendatakse töökorras oleva tootega või remonditakse tasuta, kui allolevad tingimused on täidetud:

- Seadet on kasutatud õigesti ning vastavalt juhenditele, ilma kolmanda osapooli poolt teostatud remondita
- Toote on tagasi toodud müügipunkti, kus see on ostetud ostudokumentidega (arve või müügikviitung) ning tekkinud probleemi lühikirjeldusega.

Garantii ei hõlma tiivikut ja muid kuluvaid osakesi. Garantii ei pikenda esimesest garantiiperioodi.

SISÄLTÖ

1. KÄYTTÖTAVAT	82
2. PUMPATTAVAT NESTEET	83
3. TEKNISET TIEDOT JA KÄYTTÖRAJOITUKSET	83
4. KÄSITTELY	83
4.1 Varastointi	83
4.2 Kuljetus	83
4.3 Paino ja mitat	83
5. VAROITUKSIA	83
6. ASENNUS	84
7. SÄHKÖLIITÄNTÄ	84
8. KÄYNNISTYS	84
9. ELEKTRONINEN HALLINTALIITTYMÄ	84
9.1 Ominaisuuksien yleiskatsaus	85
9.1.1 Näytön kuvaus	85
9.2 Toimintojen kuvaus	86
9.2.1 Pumppu ON/OFF (AUTO MODE, MANUAL MODE)	86
9.2.2 Käynnistystäyttövaihe	87
9.2.3 Hälytysten kuittaus	87
9.2.4 Sähkö ON/OFF -ilmoitus	87
9.2.5 Pumppu ON/OFF -ilmoitus	87
9.2.6 Hälytysilmoitus	87
9.2.7 Kuivakäyntisuoja (Dry running protection)	87
9.2.8 Vuotosuoja (ANTI-LEAKAGE)	87
9.2.9 Max pump on	87
9.2.10 Allarme sensore di pressione	87
9.3 Ensimmäinen käynnistys	87
9.3.1 Merkkivalojen testi	87
9.3.2 Ensimmäinen käynnistystäyttö	87
9.4 Normaalit toimenpiteet CUT OUT pois (oletusasetus mallissa)	87
9.5 Normaalit toimenpiteet CUT OUT käytössä	87
10. VAROTOIMET	88
11. HUOLTO JA PUHDISTUS	88
11.1 Imusuodattimen puhdistus	88
11.2 Takaiskuventtiilin puhdistus	88
12. VIANETSINTÄ	88
13. TAKUU	89

VAROITUKSIA



Lue kaikki ohjeet huolellisesti ennen asennusta:



Irrota pistoke ennen toimenpiteitä. Vältä ehdottomasti kuivakäyttöä.



Suojaa sähköpumppu ilmastotekijöiltä.



Ylikuormitusuoja. Pumppu on varustettu moottorin lämpösuojalla. Jos moottori ylikuumentuu, moottorin lämpöuoja pysäyttää pumpun automaattisesti. Jäähdytysaika on noin 15-20 minuuttia, minkä jälkeen pumppu käynnistyy uudelleen automaattisesti. Jos moottorin lämpöuoja laukeaa, etsi ehdottomasti laukeamisen syy ja korjaa se. Lue Vianetsintä-luku.

1. KÄYTTÖTAVAT

Keskikapopumput automaattisella suihkuimulla, joihin kuuluu erinomainen imukyky myös jos paikalla on hiilihappovettä. Tarkoitettu erityisesti mökkien vedensyöttöön ja -paineistukseen. Soveltuu pienviljelyksiin vihannes- ja puutarhoissa, kotitalouksien hätätiloihin ja harrastuskäyttöön. Kompaktin muotonsa ja helpon käsiteltävyytensä ansiosta sitä voidaan hätätilanteessa käyttää kannettavana pumppuna myös muihin tarkoituksiin, esim. vedenottoon säiliöistä tai vesistöistä.

Katso pikaoppaasta, jos tuote on varustettu Wifi-toiminnolla.



Aihekohtaisten voimassa olevien tapaturmantorjuntamääräysten mukaan näitä pumppuja ei tule käyttää uima-altaissa, lammissa tai piha-altaissa, joissa on ihmisiä. Niillä ei myöskään tule pumpata hiilivetyjä (benssiini, dieselöljy, polttoöljyt, liuottimet jne.). Puhdista pumpu ennen sen asettamista varastoon. Katso Huolto ja puhdistus.

2. PUMPATTAVAT NESTEET

Puhdas, ei kiinteitä tai hankaavia osia, ei aggressiivinen.

Puhdas vesi	•
Sadevesi (suodatettu)	•
Kirkas jätevesi	○
Likainen vesi	○
Lähdevesi (suodatettu)	•
Joki- tai järvi- vesi (suodatettu)	•
Juomavesi	•

Taulukko 1

- Soveltuu
- Ei sovellu

3. TEKNISET TIEDOT JA KÄYTTÖRAJOITUKSET

- Sähköjännite: 220-240V, ks. Arvokilpi
- Viivesulakkeet (versio 220-240V): viitteelliset arvot (A)
- Varastointilämpötila: -10 - +40 °C

Malli	Verkkosulakkeet 220-240V 50 Hz
P1= 850	4
P1= 1100	6
P1= 640	4
P1= 920	6

Taulukko 2

	Malli	P1=850	P1=1100	P1=640	P1=920
Sähkötiedot	P1 nimellistehonkulutus [W]	850	1100	640	920
	P2 [W]	600	750	380	560
	Verkkajännite [V]	1~220-240 AC			
	Verkkotaajuus [Hz]	50			
	Virta [A]	3.88	4.58	3.10	4.20
	Kondensaattori [µF]	12.5	16	16	12.5
	Kondensaattori [Vc]	450			
Hydrauliset arvot	Maks.virtausnopeus [L/h]	3180	3750	3600	4800
	Maks.painekorkeus [m]	43	45	32	40
	Maks.painekorkeus [bar]	4.3	4.5	3.2	4.0
	Maks.paine [bar]	6			
	Maks.imusyvyyys [m/min]	8m / <3min		6m / <3min	
Käyttöalue	Sähköjohdon pituus [m]	1.5			
	Johdon tyyppi	H07 RNF			
	Moottorin suoja-aste	IP X4			
	Eristysluokka	F			
	Nesteen lämpötila-alue [°C] kotitalouskäytössä standardin EN 60335-2-41 mukaan	0 °C / +35 °C			
	Hiukkasten maks.koko	puhdas vesi			
	Ympäröivä maks.lämpötila [°C]	+40 °C			
Paino	DNM GAS	1" M			
	Likimäär. netto/bruttopaino [kg]	9.6/11.8	10.3/12.5	10.1/12.1	10.9/12.9

Taulukko 3



Pumpu ei kykene kannattamaan letkujen painoa. Tue letkut asianmukaisesti.

4. KÄSITTELY

4.1 Varastointi

Kaikkia pumppuja tulee säilyttää suojatussa ja kuivassa tilassa, jonka ilmankosteus on mahdollisimman tasainen ja jossa ei ole tärinää tai pölyä. Pumpu toimitetaan alkuperäisessä pakkauksessaan, jossa se tulee säilyttää asennukseen asti.

4.2 Kuljetus

Älä kohdista laitteeseen turhia iskuja tai törmäyksiä.

4.3 Paino ja mitat

Pakkaukseen kiinnitettyssä tarrassa ilmoitetaan sähköpumpun kokonaispaino ja mitat.

5. VAROITUKSIA

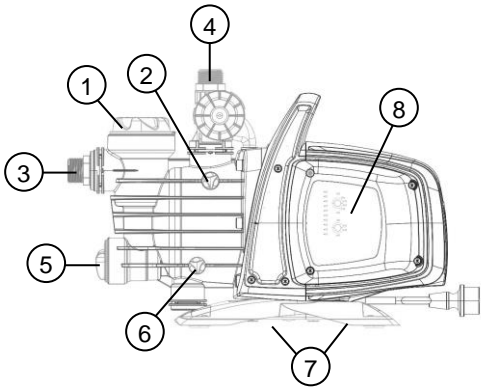


Älä koskaan kuljeta tai nosta pumppua sähköjohdosta tai käynnistä sitä sen roikkuessa sähköjohdon varassa. Käytä erityistä kahvaa.

- Pumppua ei saa koskaan käyttää kuivana.

- Avaa/sulje ilmaus- ja tyhjennystulppa (2 ja 6) käyttämättä liiallista voimaa.

6. ASENNUS



1. Esisuodatin
2. Ilmaustulppa
3. Käännettävä imuliitäntä
4. Poistoliitäntä
5. Sisäänrakennettu takaiskuventtiili
6. Tyhjennystulppa
7. Tärinää vaimentavat tukijalat
8. Elektroninen hallintaliittymä

Sähköpumppu tulee asentaa ilmastotekijöiltä suojattuun paikkaan, jonka ympäröivä lämpötila ei ole yli 40 °C. Pumpussa on tärinää vaimentavat tukijalat. Jos pumppu asennetaan kiinteästi, ne voidaan poistaa ja pumppu ankkuroida tukialustaan (7). Varmista, etteivät letkut kohdistu liiallista kuormitusta pumpun aukkoihin (3) ja (4). Seurauksena saattaa olla vääntyminen tai rikkoutuminen. **Pumppu on aina hyvä asemoida mahdollisimman lähelle pumpattavaa nestettä.**

Pumppu on asennettava yksinomaan vaakasuoraan asentoon.

Letkujen sisähalkaisija ei saa koskaan olla sähköpumpun aukkoja pienempi. Pumpun imupuolella on suodatin (1) ja takaiskuventtiili (5).

Kun kyseessä on yli neljän metrin imusyvyys tai jos kyseessä on huomattavat vaakasuoraan tehtävät reitit on hyvä käyttää imuputkea, jonka läpimitta on suurempi sähköpumpun imuaukkoon nähden. Estääksesi ilmataskujen muodostumista imuputken sisälle, asenna sähköpumpun suuntaan menevä imuputki kevyesti kaltevaan asentoon. Kuva 2

Jos imuletku on kumia tai joustavaa materiaalia, tarkista aina että se on vahvistettua ja alipainetta kestävä tyyppiä, ettei se painu kokoon imun vaikutuksesta.

Jos pumppu asennetaan kiinteästi, asenna sulkuventtiili sekä imu- että painepuolelle. Siten voit sulkea järjestelmän pumppua ennen ja/tai sen jälkeen. Tämä on hyödyllistä suoritettaessa huoltoja ja puhdistuksia tai pumpun käyttötaukojen aikana.

Asennuksen helpottamiseksi pumppu on varustettu käännettävällä imu (3) ja (4).

Käytä letkuille tarvittaessa erikseen tilattavia kulmakappaletta (kuva 1) ja puutarhasarjaa, johon sisältyy PE-putki, liittinsarja ja suutin.

Jos likahiukkaset ovat hyvin pienikokoisia, käytä sisäänrakennetun suodattimen (1) lisäksi imuletkuun asennettua pumpun imusuodatinta.

- Moottorin käynnistysmäärä tunnissa ei saa olla liiallinen. Se ei saa ylittää 20 käynnistystä tunnissa.



Halkaisija imuputken on oltava suurempi tai yhtä suuri kuin halkaisija Sähköpumppuyksiköt suun, katso taulukko 3.

7. SÄHKÖLIITÄNTÄ



Varmista, että verkkovirta vastaa syötettävän moottorin kilvessä annettua arvoa ja että MAADOITUS ON MAHDOLLISTA SUORITTA. **Noudata arvokilven ja tämän käyttöoppaan taulukon 3 arvoja.**

Pumpun asennusetäisyys riippuu sähköjohdon pituudesta. Jos tarvitset jatkojohtoa, varmista että se on samaa tyyppiä (esim. H05 RN-F tai H07 RN-F järjestelmästä riippuen), katso taulukko 3.

8. KÄYNNISTYS



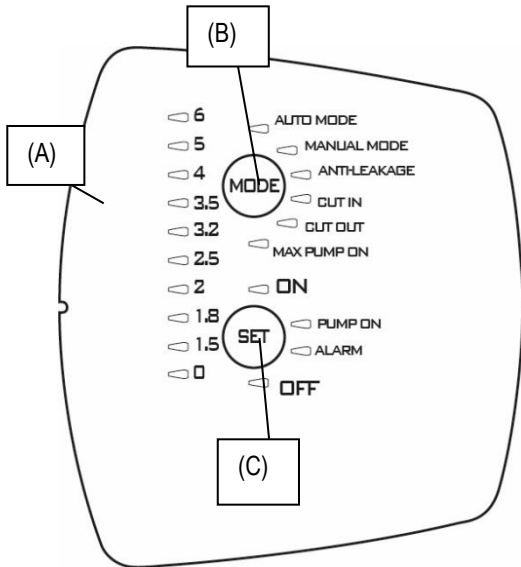
Täytä pumppu ennen käynnistystä kokonaan nesteellä (noin 4 litraa), niin että nestettä tihkuu ilmaustulpasta (2). Jos vesi loppuu, sammuta pumppu välittömästi irrottamalla pistoke pistorasiasta. Vältä kuivakäyttöä.

1. Tarkista ennen käynnistystä, että pumppu on käynnistystäytetty asianmukaisesti. Täytä se kokonaan puhtaalla vedellä täyttöreian kautta poistamalla suodattimen läpinäkyvä täyttötulppa (1) käsin tai ohessa toimitetulla työkalulla. Avaa samalla myös ilmaustulppa (2) poistaaksesi ilman. Tämä toimenpide on oleellinen pumpun oikeaa toimintaa varten ja välttämätön mekaanisen tiivisteiden hyvää voitelua varten. **Kuivakäynti saa aikaan korjaamattomia vikoja mekaaniselle tiivisteelle.**
2. Täyttötulppa (1) ja ilmaustulppa (2) tulee tämän jälkeen ruuvata huolellisesti kiinni pohjaan asti.
3. Kytke pistoke 220-240V:n pistorasiaan. **Varoitus!** Pumpun moottori käynnistyy välittömästi. Vettä alkaa tulla ulos enintään 3 minuutin kuluttua riippuen kaivon tai säiliön vedensyvyydestä.
4. Pumppu jatkaa toimintaansa ja veden syöttöä. **Varoitus!** Ennaltaehkäise kuivakäyttöä.
5. Sammuta pumppu irrottamalla pistoke pistorasiasta.



Jos käynnistystäytössä on ongelmia, toista toimenpidettä, kunnes kaikki ilma on poistunut imupuolelta.

9. ELEKTRONINEN HALLINTALIITTYMÄ



9.1 Ominaisuuksien yleiskatsaus

Kuvaus	Parametrit
Kortin jännite, taajuus	1x220-240V, 50/60 Hz
Sähkö on/off-ilmoitus	●
Moottori on/off-ilmoitus	●
Hälytysilmoitus	●
Paineilmoitus	●
Tilan ilmoitus	●
Auto Mode	●
Manual Mode	○
Kuivakäyntisuoja	●
Vuotosuoja	○
Max pump on -suoja	○ (30 minuuttia)
Cut in -paine	○ Säädettävä (1,5–3,0 bar)
Cut out -paine	○ (Cut in + 1 bar)
Automaattinen käynnistystyyttö	●
Valintapainikkeet	●

● = Kiinteä; ○ = Valittava

9.1.1 Näytön kuvaus:

(A) Paineen merkkivalot

0–6 baarin paine ilmoitetaan 10 merkkivalolla. Kun järjestelmän paine muuttuu, merkkivalot syttyvät tai sammuvat vastaavasti.

Toiminto	Näytön kokoonpano	Set	Reset Alarm
Auto Mode		ON: käyttöönotto OFF: käytöstä poisto	
Manual mode		ON: käyttöönotto OFF: käytöstä poisto	
Anti-leakage		ON: käyttöönotto OFF: käytöstä poisto	Paina SET
Cut in		Lisää/Vähentää	
Cut out		Lisää/Vähentää OFF: käytöstä poisto	
Max pump on		ON: käyttöönotto OFF: käytöstä poisto	Paina SET

(B) MODE-valintapainike

Valittavat tilat:

- | | |
|------------------|-----------------|
| 1) AUTO_MODE; | 4) CUT_IN; |
| 2) MANUAL_MODE; | 5) CUT_OUT; |
| 3) ANTI LEAKAGE; | 6) MAX_PUMP_ON; |

Vapauta MODE-tilan toimintojen valinta painamalla MODE-näppäintä 5 sekuntia.

Paina **MODE** selataksesi eri toimintatiloja (AUTO MODE tai MANUAL MODE) tai muutettavia parametreja (CUT IN ja CUT OUT) tai kytkeäksesi päälle joitakin toimintoja (ANTI-LEAKAGE ja MAX PUMP ON). Valitun toiminnon merkkivalo vilkkuu selauksen aikana. Kun palaat AUTO MODE -tilaan, käytössä olevat toiminnot korostetaan niitä vastaavalla kiinteästi syttyvällä merkkivalolla. Katso kappale 2 (Toimintojen kuvaus).

MODE-merkkivalot

AUTO MODE: pumppu toimii automaattijolla, katso 9.2.1.

MANUAL MODE: Pumppu toimii käsiajolla, katso 9.2.1. Käyttäjä voi käynnistää tai sammuttaa sen halutessaan **SET**-painikkeella. SET ON syttynyt. SET OFF sammunut.

CUT IN: Paineen asetus (aina käytössä). Minimipaine, jonka alittuessa pumppu käynnistyy. Voidaan asettaa välille 1,5–3,0 bar, oletusasetus on 1.8 bar. Pumppu käynnistyy myös virtauksen ollessa minimiarvoa 1,5 L/min (oletusasetus) alhaisempaa.

CUT OUT: Paineen asetus (pois käytöstä mallissa) Paine, jonka ylittyessä pumppu pysähtyy. Oletusasetus on CUT IN + 1 LED, mutta sitä voidaan muuttaa enintään 3.5 bar (50.8 psi) arvoon.

Ota toiminto käyttöön painamalla MODE, kunnes CUT OUT -merkkivalo vilkkuu, ja sitten:

- 1) paina SET **10 sekunnin ajan** vapauttaaksesi toiminnon (tässä vaiheessa painearvojen merkkivalot ovat syttyneet),
- 2) paina SET valitaksesi halutun arvon,
- 3) poista toiminto käytöstä asettamalla CUT OUT -arvoksi 0 [bar tai psi],
- 4) poistu asetustilasta painamalla MODE.

HUOMAUTUS: CUT OUT -arvo voidaan muuttaa VASTA kun toiminto on vapautettu painamalla SET-näppäintä 10 sekuntia. Ellei mitään näppäimistä paineta 1 sekuntiin, toiminto lukkiutuu uudelleen.

ANTI-LEAKAGE: vuotosuoja. Toiminto voidaan ottaa käyttöön tai poistaa käytöstä. Oletusasetuksena se on pois käytöstä. Kun se on käytössä ja pumppu käynnistyy yli 6 kertaa 2 minuutin kuluessa, pumppu pysäytetään ja hitaasti vilkkuva punainen **ALARM**-merkkivalo ilmoittaa virheestä.

Ota toiminto käyttöön painamalla MODE, kunnes vastaava merkkivalo vilkkuu. Paina tämän jälkeen SET, kunnes ON-merkkivalo syttyy. Poista toiminto käytöstä painamalla SET, kunnes OFF-merkkivalo syttyy.

Kun hälytyksen syy on korjattu, kuittaa hälytys, jos se on vielä päällä. Katso 9.2.3.

MAX PUMP ON: maksimikäyntiaika. Toiminto voidaan ottaa käyttöön tai poistaa käytöstä. Oletusasetuksena se on pois käytöstä. Kun toiminto on käytössä ja pumppu käy yli 30 minuuttia yhtäjaksoisesti, se pysäytetään. Virheilmoitusta ei anneta.

Toimintoa käytetään suojaamaan järjestelmää, jos hana unohtuu tahattomasti auki, putki rikkoutuu tai kastelukäytössä.

Ota toiminto käyttöön painamalla MODE, kunnes MAX PUMP ON -merkkivalo syttyy. Paina tämän jälkeen SET, kunnes ON-merkkivalo syttyy. Poista toiminto käytöstä painamalla SET, kunnes OFF-merkkivalo syttyy.

(C) SET-valintapainike

Valittavat tilat:

- 1) Hälytysten kuittaus.
- 2) Käyttöönotto/käytöstä poisto MODE-tilassa (MAX PUMP ON, ANTI-LEAKAGE).
- 3) Parametrien lisäys MODE-tilassa (CUT IN; CUT OUT).
- 4) Moottori ON/OFF MANUAL MODE -tilassa.
- 5) Pumppu käytössä/valmiustilassa AUTO MODE -tilassa.

Paina **SET** muuttaaksesi parametrit. Jos MODE CUT IN- tai MODE CUT OUT -merkkivalo syttyy, arvo näytetään paineen merkkivalopalkissa. Painettaessa **SET** arvo kasvaa. Kun olet asettanut halutun arvon, poistu muutostilasta painamalla **MODE**, kunnes AUTO MODE- ja SET ON -merkkivalo syttyy.

Paina **SET** myös ottaaksesi käyttöön/poistaaksesi käytöstä Anti-leakage- ja Max pump On -toiminnot. Kun olet valinnut toiminnon MODE-näppäimellä, ota se käyttöön valitsemalla SET ON. Poista se käytöstä valitsemalla SET OFF.

MANUAL-tilassa SET-näppäintä tarvitaan käynnistämään tai sammuttamaan pumppu. ON- tai OFF-merkkivalo syttyy.

AUTO MODE -automaattijolla sitä tarvitaan ottamaan pumppu käyttöön (ON) tai asettamaan se valmiustilaan (OFF). **PUMP ON:** käynnissä olevaa moottoria vastaava ilmoitus.

9.2 Toimintojen kuvaus**9.2.1 Pumppu ON/OFF (AUTO MODE, MANUAL MODE)**

CUT OUT pois → Kun pistoke kytketään pistorasiaan merkkivalojen testin jälkeen, pumppu käynnistyy 10 sekunniksi.

CUT OUT käytössä → Kun pistoke on kytketty, merkkivaloille tehdään testi ensimmäisten 3 sekunnin ajan (merkkivalon 0 syttyminen osoittaa sähkön olevan kytketty). Oletusasetuksena käyttöön otetaan **AUTO MODE** -tila ja **ON**-merkkivalo syttyy. Pumppu käynnistyy, jos paine on CUT IN -arvoa alhaisempi ja virtaus minimikäynnistysvirtaa alhaisempi. Pumppu pysyy käynnissä, kunnes paine on CUT OUT -arvoa alhaisempi. Saavutettaessa arvo se pysähtyy virtauksesta riippumatta.

Jos sen sijaan valitaan **MANUAL MODE** -tila, **MODE**-näppäimen yksi painaminen käynnistää pumpun, jos **ON**-merkkivalo on syttynyt.

Painettaessa sen sijaan **SET** pumppu sammuu ja **OFF**-merkkivalo syttyy.

Kun pumppu käynnistyy, se siirtyy KÄYNNISTYSTÄYTTÖ-tilaan.

Huom. Varmista, että olet noudattanut asennusohjeita ja että pumppu on täytetty kokonaan vedellä.

9.2.2 Käynnistystäyttövaihe

Kun pumppu käynnistyy, se siirtyy käynnistystäyttötilaan. Ellei se havaitse virtausta ja painetta tämän vaiheen aikana, se pitää moottorin käynnissä 3 minuuttia ja laukaisee sen jälkeen kuivakäyntihälytyksen. Jos se sen sijaan havaitsee virtauksen tai paineen tämän ajan kuluessa, käynnistystäyttö on suoritettu ja pumppu toimii normaalisti.

9.2.3 Hälytysten kuittaus

Hälytystilassa punainen **ALARM**-merkkivalo syttyy. Hälytys kuitataan painamalla kerran **SET**-näppäintä. Jos hälytyksen syy on korjattu, toiminta jatkuu normaalisti. Muuten pumppu palaa hälytystilaan.

9.2.4 Sähkö ON/OFF -ilmoitus

Jos sähkö on kytketty, merkkivalopalkin paineen merkkivalo 0 on syttynyt. Ellei sähköä ole kytketty, merkkivalo on sammunut. Huom. Katkaise sähkö pitkien käyttötaukojen ajaksi irrottamalla pistoke pistorasiasta.

9.2.5 Pumppu ON/OFF -ilmoitus

Kun moottori on käynnissä, sinisen **PUMP ON** -merkkivalon tulee syttyä osoittamaan toimintaa. Kun moottori pysähtyy, tämä merkkivalo sammuu.

9.2.6 Hälytysilmoitus

Punainen **ALARM**-merkkivalo tai painikkeen valo syttyy kiinteästi, kun hälytys on päällä.

Kuivakäynti (Dry-running): kiinteästi syttynyt punainen merkkivalo

Vuoto (Leakage): hidas vilkkuminen

Max Pump ON (pumppu käynnissä yli 30 minuuttia): 2 nopeaa vilkutusta, joiden välissä pidempi tauko.

Paina SET kuitataksesi hälytykset.

9.2.7 Kuivakäyntisuoja (Dry running protection)

Jos pumppu käy kuivana, se pysäytetään muutaman sekunnin (40 s) kuluttua. Virheilmoitus annetaan kiinteästi sytyväällä punaisella **ALARM**-merkkivalolla.

Kun pumppu on ollut OFF-tilassa ensimmäiset 30 minuuttia, sitä yritetään käynnistää uudelleen 5 minuutin ajan. Ellei käynnistys tälläkään kertaa onnistu, uusi yritys tehdään 30 minuutin välein enintään 48 kertaa. Jos kaikki yritykset epäonnistuvat, käynnistystä yritetään uudelleen 24 tunnin välein.

Laitte poistuu automaattisesti kuivakäyntihälytyksen tilasta, kun se havaitsee virtauksen ja/tai paineen.

Jos hälytys kuitataan (katso 9.2.3), käynnistystä yritetään uudelleen 40 sekunnin ajan.

Korjaa syyt ja kuittaa hälytys (katso 9.2.3).

9.2.8 Vuotosuoja (ANTI-LEAKAGE)

Toiminto voidaan ottaa käyttöön tai poistaa käytöstä. Oletusasetuksena se on pois käytöstä. Kun se on käytössä ja pumppu käynnistyy yli 6 kertaa 2 minuutin kuluessa, pumppu pysäytetään ja hitaasti vilkkuva punainen **ALARM**-merkkivalo ilmoittaa virheestä.

Korjaa syyt ja kuittaa hälytys (katso 9.2.3).

Katso käyttöönotto kohdasta Anti-leakage.

9.2.9 Max pump on

Maksimikäyntiaika. Toiminto voidaan ottaa käyttöön tai poistaa käytöstä. Oletusasetuksena se on pois käytöstä. Kun toiminto on käytössä ja pumppu käy yli 30 minuuttia yhtäjaksoisesti, se pysäytetään. **ALARM**-merkkivalo vilkkuu.

Toimintoa käytetään suojaamaan järjestelmää, jos hana unohtuu tahattomasti auki, putki rikkoutuu tai kastelukäytössä.

9.2.10 Allarme sensore di pressione

Laitte asettuu paineanturin hälytystilaan, jos painearvo on toiminta-alueen ulkopuolella (0–15 bar). Pumppu sammutetaan ja virhe kuitataan heti, kun painearvot palaavat toiminta-alueelle.

9.3 Ensimmäinen käynnistys

9.3.1 Merkkivalojen testi

Ensimmäisen käynnistymisen yhteydessä tai joka tapauksessa kytkettäessä pistoke pistorasiaan suoritetaan 20 merkkivalon testi, joka kestää muutaman sekunnin. Sen aikana kaikki merkkivalot syttyvät järjestyksessä.

9.3.2 Ensimmäinen käynnistystäyttö

Pumppu on automaattisesti **AUTO MODE** -tilassa ja käytössä (**ON**).

Pumppu saattaa käyttäytyä kolmella eri tavalla:

- 1) Virtausta on, mutta paine on alhaista: pumppu poistuu käynnistystäyttövaiheesta ja aloittaa normaalin toiminnan.
- 2) Paine on, mutta ei virtausta: pumppu pysyy tässä tilassa 10 sekuntia ja sammuu.
- 3) Ei virtausta eikä painetta: pumppu sammuu ja kuivakäyntivirheestä ilmoitetaan noin 3 minuutin kuluttua kiinteästi sytyväällä punaisella SET ALARM -merkkivalolla. Korjaa syyt ja kuittaa hälytys (katso 9.2.3).

9.4 Normaalit toimenpiteet CUT OUT pois (oletusasetus mallissa)

CUT OUT -toiminnon käytöstä poiston seurauksena pumppu käyttäytyy seuraavasti:

- Pumppu käynnistyy, jos virtausta on tai paine puuttuu, paine on CUT IN -arvoa alhaisempi (10 ms).
- Pumppu pysähtyy, jos painetta on, mutta virtaus puuttuu yhtäjaksoisesti 10 sekunnin ajan.

CUT OUT -merkkivalo on sammunut normaalitoiminnan aikana. Katso asetuksen muutos kohdasta 9.1.1.B.

9.5 Normaalit toimenpiteet CUT OUT käytössä

CUT OUT -toiminnon käyttöönoton seurauksena pumppu käyttäytyy seuraavasti:

- Pumppu käynnistyy, jos paine on CUT IN -painetta alhaisempi.

- Pumppu pysähtyy, jos paine on CUT OUT -painetta korkeampi.
Cut out -merkkivalo on syttynyt normaali toiminnan aikana. Katso asetuksen muutos kohdasta 9.1.1.b.

10. VAROTOIMET

JÄÄTYMISVAARA: jos pumppu jätetään käyttötouon ajaksi alle 0 °C:n lämpötilaan, varmista ettei siihen ole jäänyt vettä, joka jäätyessään aiheuttaa muoviosien halkeilua.

Jos pumppua on käytetty aineissa, jotka pyrkivät kerääntymään, tai klooria sisältävässä vedessä, huuhtelee se käytön jälkeen voimakkaalla vesisuihkulla. Siten estät pumpun ominaisuuksia heikentävien kerääntymien tai saostumien muodostumisen.

11. HUOLTO JA PUHDISTUS

Sähköpumppua ei tarvitse huoltaa, jos sitä käytetään normaalisti. Pumpun sähkö tulee joka tapauksessa katkaista aina ennen korjauksia ja huoltoja. Varmista aina käynnistäessäsi pumpun uudelleen, että se on asennettu asianmukaisesti välttääksesi henkilöihin ja esineisiin kohdistuvat vaarat.

11.1 Imusuodattimen puhdistus (kuva 3)

- Katkaise pumpun sähkö.
- Sulje ennen pumppua sijaitsevat luistiventtiilit (jos asennettu) ja anna pumpun tyhjäntyä avaamalla tyhjennystulppa (6).
- Ruuvaa auki suodatinkammion kansi käsin tai ohessa toimitetulla työkalulla.
- Poista suodatinyksikkö ylhäältä.
- Huuhtelee malja juoksevan veden alla ja puhdistaa suodatin pehmeällä harjalla.
- Asenna suodatin takaisin suorittamalla toimenpiteet vastakkaisessa järjestyksessä.

11.2 Takaiskuventtiilin puhdistus (kuva 4)

- Katkaise pumpun sähkö.
- Poista takaiskuventtiilin tulppa (5) ohessa toimitetulla työkalulla.
- Poista takaiskuventtiili ja poista siitä tarvittaessa lika.
- Kokoa osat vastakkaisessa järjestyksessä purkamiseen nähden.

12. VIANETSINTÄ



Katkaise pumpun sähkö ennen vianetsintää (irrota pistoke pistorasiasta). Jos sähköjohto tai muu pumpun sähköosa on vaurioitunut, ainoastaan valmistaja, sen valtuuttama huoltoliike tai ammattitaitoinen henkilö saa suorittaa korjaukset tai vaihdot, jotta käyttö on turvallista.

VIKA	TARKASTUKSET (mahdolliset syyt)	KORJAUSTOIMENPITEET
1. Moottori ei käynnisty eikä saa aikaan melua.	A. Tarkista sähköliitännät. B. Tarkista, että moottorissa on virta. C. Tarkista suojaavat sulakkeet. D. Lämpösuoja on saattanut laueta.	C. Vaihda ne uusiin jos ne ovat palaneet. D. Odota noin 20 minuuttia, että moottori jäähtyy. Tarkista laukeamisen syy ja korjaa se. HUOM: jos vika uusiutuu välittömästi se tarkoittaa, että moottorissa on syntynyt oikosulku.
2. Moottori ei käynnisty mutta saa aikaan melu.	A. Varmista, että verkkojännite vastaa kilvessä osoitettua jännitettä. B. Etsi mahdolliset pumpussa tai moottorissa esiintyvät tukkeumat. C. Tarkista, ettei akseli ole jumissa. D. Tarkista lauhduttimen tila.	B. Poista tukkeumat. C. Käytä ohessa toimitettua työkalua ruuvataksesi kannen auki ja irrota akseli ruuvimeisselillä. D. Vaihda lauhdutin.
3. Moottorin pyörimässä ongelmia.	A. Varmista, että syöttöjännite on riittävä. B. Tarkista liikkuvien ja kiinteiden osien välissä syntyvät hankaumat.	B. Poista hankautumista aiheuttavat syyt.
4. Pumppu ei pumpppaa.	A. Pumppua ei ole esitäytetty oikein. B. Imuputken läpimitta on riittämätön. C. Takaiskuventtiili tai suodatin on tukossa	A. Täytä pumppu vedellä ja suorita käynnistystäyttö. Muista poistaa ilma ruuvaamalla ilmaustulppa auki. B. Vaihda putki läpimitaltaan suurempaan putkeen. C. Puhdistaa suodatin ja tarvittaessa myös takaiskuventtiili.
5. Pumppu ei ime.	A. Pumppu imee ilmaa imuletkun kautta. B. Imuputken negatiivinen kaltevuus saa aikaan imutaskujen syntymisen.	A. Korjaa ilmiö tarkistamalla liitäntöjen tiiviys ja imuletku. Suorita käynnistystäyttö uudelleen. B. Korjaa imuputken kaltevuus.

6. Pumppu ei annostele riittävä virtausta.	A. Imuletku on tukossa. B. Roottori on kulunut tai tukossa. C. Imuputkiston läpimitta on riittämätön.	A. Puhdista imuletku. B. Poista tukkeumat tai vaihda kuluneet osat. C. Vaihda putkisto läpimitaltaan suurempaan putkistoon.
7. Pumppu tärisee ja käynti on meluisaa.	A. Tarkista, että pumppu ja putkistot on kiinnitetty kunnolla. B. Pumppu kavitoi eli pyytää suurempaa määrää vettä pumpattavaan määrään nähden. C. Pumppu työskentelee yli kyltissä osoitettujen arvojen.	A. Kiinnitä huolellisesti löystyneet osat. B. Vähennä imukorkeus tai tarkista kuormituksessa esiintyvät vuodot. C. Voi olla hyödyllistä rajoittaa painepuolen kuormitus..

13. TAKUU



Kaikki muutokset, joille ei ole annettu ennakovaltuutusta, vapauttavat valmistajan kaikesta vastuusta. Kaikkien korjauksissa käytettävien varaosien tulee olla alkuperäisiä ja kaikkien lisävarusteiden valmistajan valtuuttamia, jotta laitteiden ja järjestelmien turvallisuus voidaan taata.

Tälle tuotteelle annetaan lakimääräinen takuu (Euroopan unionissa 24 kuukautta ostopäivästä alkaen), joka kattaa kaikki valmistus- tai materiaalivioista johtuvat vauriot.

Takuunalainen tuote voidaan harkinnanvaraisesti vaihtaa toiseen täydellisesti toimivaan tuotteeseen tai korjata veloituksetta seuraavissa tapauksissa:

- tuotetta on käytetty oikein ja ohjeiden mukaisesti eikä ostaja tai muu henkilö ole yrittänyt korjata sitä.
- tuote on toimitettu myyntipisteeseen varustettuna ostotodistuksella (lasku tai ostokuitti) ja todetun ongelman lyhyellä selostuksella.

Takuu ei kata juoksupyörää eikä kulutusosia. Takuukorjaus ei missään tapauksessa jatka alkuperäistä takuaikaa.

KAZALO

1. PRIMJENE	90
2. TEKUĆINE KOJE SE MOGU PUMPATI	91
3. TEHNIČKI PODACI I OGRANIČENJA UPORABE	91
4. UPRAVLJANJE	91
4.1 Skladištenje	91
4.2 Transport	91
4.3 Težina i dimenzije	91
5. UPOZORENJA	91
6. INSTALACIJA	92
7. ELEKTRIČNO PRIKLJUČIVANJE	92
8. POKRETANJE	92
9. ELEKTRONIČKO SUČELJE ZA UPRAVLJANJE	93
9.1 Pregled svojstava	93
9.1.1 Opis zaslona:	93
9.2 Opis funkcija	94
9.2.1 Pumpa ON/OFF (AUTO MODE, MANUAL MODE)	94
9.2.2 Faza početnog usisavanja	95
9.2.3 Reset alarma	95
9.2.4 Oznaka napona ON/OFF	95
9.2.5 Oznaka pumpe On/off	95
9.2.6 Oznaka alarma	95
9.2.7 Zaštita od rada na suho (Dry running protection)	95
9.2.8 Zaštita od curenja (ANTI-LEAKAGE)	95
9.2.9 Max pump on	95
9.2.10 Alarm senzora tlaka	95
9.3 Prvo pokretanje	95
9.3.1 Test led svjetala	95
9.3.2 Prvo početno usisavanje	95
9.4 Normalne radnje s onemogućenom postavkom CUT-OUT (tvornički)	95
9.5 Normalne radnje s omogućenom postavkom CUT-OUT	96
10. MJERE OPREZA	96
11. ODRŽAVANJE I ČIŠĆENJE	96
11.1 Čišćenje usisnog filtra	96
11.2 Čišćenje nepovratnog ventila	96
12. TRAŽENJE KVAROVA	96
13. JAMSTVO	97

UPOZORENJA



Prije nego što nastavite s instalacijom pažljivo pročitajte cijelu dokumentaciju.



Prije svake intervencije izvucite utikač iz utičnice. Bezuvjetno izbjegavajte rad na suho.



Zaštite pumpu od vremenskih nepogoda.



Ove pumpe ne mogu se koristiti u bazenima, lokvama, ili koritima u kojima su prisutne osobe i/ili za pumpanje ugljikovodika (benzina, dizel goriva, ulja korištenog kao gorivo, otapala, itd.) u skladu s važećim normama o zaštiti na radu. Prije odlaganja, dobro je predvidjeti jednu fazu čišćenja. Pogledajte poglavlje "Održavanje i čišćenje".

1. PRIMJENE

Samousisne centrifugalne mlazne pumpe s odličnim kapacitetom usisavanja čak i kad u vodi postoje zračni mjehurići. Posebno su preporučljive za napajanje vodom i podizanje tlaka u seoskim imanjima. Prikladne su za malu poljoprivredu u povrtnjacima i vrtovima, za slučajevne nužde u kućanstvu i hobije u općem smislu. Zahvaljujući kompaktnom obliku, prikladnom za rukovanje, ove pumpe imaju i posebnu primjenu kao prenosive pumpe u slučajevima nužde, kao što su uzimanje vode iz spremnika ili rijeka. **Ako je proizvod opremljen WiFi-jem, pregledati brzi priručnik Quick guide.**



Ove pumpe ne mogu se koristiti u bazenima, lokvama, ili koritima u kojima su prisutne osobe i/ili za pumpanje ugljikovodika (benzina, dizel goriva, ulja korištenog kao gorivo, otapala, itd.) u skladu s važećim normama o zaštiti na radu. Prije odlaganja, dobro je predvidjeti jednu fazu čišćenja. Pogledajte poglavlje "Održavanje i čišćenje".

2. TEKUĆINE KOJE SE MOGU PUMPATI

Čista, neagresivna tekućina, bez čvrstih ili abrazivnih tijela.

Svježa voda	•
Kišnica (filtrirana)	•
Čista voda od otpada	○
Priljava voda	○
Voda iz fontane (filtrirana)	•
Jezerska ili riječna voda (filtrirana)	•
Pitka voda	•

Tablica 1

- Pogodna
- Nepogodna

3. TEHNIČKI PODACI I OGRANIČENJA UPORABE

- **Napon napajanja: 220-240V**, pogledajte pločicu s električnim podacima.
- **Tromi linijski osigurači (verzija 220-240V)** indikativne vrijednosti (u amperima).
- **Temperatura skladištenja: -10°C +40°C**.

Modello	Linijski osigurači 220-240V 50Hz
P1= 850	4
P1= 1100	6
P1= 640	4
P1= 920	6

Tablica 2

	Model	P1=850	P1=1100	P1=640	P1=920
Električni podatci	P1 Nominalna apsorbirana snaga [W]	850	1100	640	920
	P2 [W]	600	750	380	560
	Mrežni napon [V]	1~220-240 AC			
	Mrežna frekvencija [Hz]	50			
	Struja [A]	3.88	4.58	3.10	4.20
	Kondenzator [μ F]	12.5	16	16	12.5
	Kondenzator [Vc]	450			
Hidraulički podatci	Maks. kapacitet protoka [l/h]	3180	3750	3600	4800
	Maks. dobavna visina [m]	43	45	32	40
	Maks. dobavni tlak [bar]	4.3	4.5	3.2	4.0
	Maks. tlak [bar]	6			
	Maks. dubina usisavanja [m/min]	8m / <3min		6m / < 3min	
Polje uporabe	Duljina kabela za napajanje [m]	1.5			
	Vrsta kabela	H07 RNF			
	Stupanj zaštite motora	IP X4			
	Klasa izolacije	F			
	Polje temperature tekućine [°C] prema normi EN 60335-2-41 za uporabu u kućanstvu	0 °C / +35 °C			
	Maks. dimenzija čestica	čista voda			
	Maks. okolna temperatura	+40 °C			
Težina	DNM GAS	1" M			
	Neto/bruto težina cca [kg]	9.6/11.8	10.3/12.5	10.1/12.1	10.9/12.9

Tablica 3



Pumpa ne može podnijeti težinu cijevi koje se u tom slučaju moraju podržavati na drugi način.

4. UPRAVLJANJE

4.1 Skladištenje

Sve pumpe treba skladištiti u zatvorenoj, suhoj prostoriji, bez vibracija i prašine i s vlagom zraka po mogućnosti na konstantnoj vrijednosti. Pumpe se isporučuju u svom originalnom pakiranju u kojem moraju ostati do momenta instalacije.

4.2 Transport

Izbjegavajte bespotrebne udarce i sudare proizvoda.

4.3 Težina i dimenzije

Na pakiranju se nalazi naljepnica s oznakom ukupne težine i dimenzija električne pumpe.

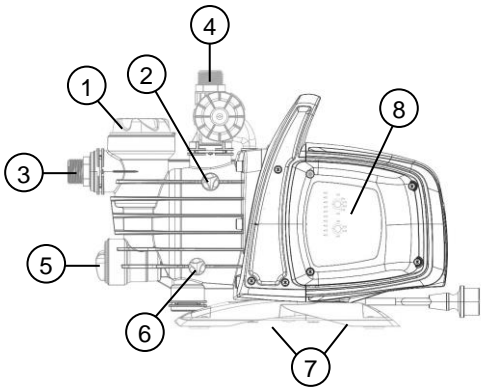
5. UPOZORENJA



Pumpe se nikad ne smiju prenositi, podizati ili puštati u rad obješene za kabel za napajanje. Koristite odgovarajuću ručku.

- Pumpa ne smije nikad raditi na suho.
- Napominjemo da poklopce za ispuh/istovar (2 i 6) valja otvoriti/zatvarati bez korištenja pretjerane sile.

6. INSTALACIJA



1. Predfilter
2. Čep za odzračivanje
3. Usmjerivi usisni priključak
4. Dovodni priključak
5. Integrirani nepovratni ventil
6. Čep za pražnjenje
7. Gumena antivibracijska podnožja
8. Elektroničko sučelje za upravljanje

Električna pumpa mora biti instalirana u prostoru zaštićenom od vremenskih nepogoda, a okolna temperatura ne smije preći 40°C.

Pumpa je opremljena antivibracijskim podnožjima, ali u slučaju nepomične instalacije, moguće ih je ukloniti i predvidjeti pričvršćivanje za osnovicu. Nemojte dozvoliti da cijevi prenose pretjerano opterećenje na otvore pumpe (3) i (4), kako se ne bi stvorile deformacije ili lomljenja.

Uvijek je poželjno postaviti pumpu što je više moguće u blizini tekućine koju treba pumpati.

Pumpa mora biti instalirana isključivo u horizontalnom položaju.

Cijevi ne smiju nikad imati unutrašnji promjer manji od promjera otvora električne pumpe; na usisnom dijelu pumpa je opremljena filtrom (1) i nepovratnim ventilom (NRV) (5).

Za usisne dubine preko četiri metra i sa značajnim horizontalnim putanjama, preporučuje se uporaba usisne cijevi većeg promjera od promjera usisnog otvora električne pumpe. Kako bi se izbjeglo stvaranje zračnih rupa u usisnoj cijevi, predvidite mali pozitivni nagib od usisne cijevi prema električnoj pumpi. Sl.2

Ako je usisna cijev izrađena od gume ili fleksibilnog materijala, uvijek provjerite da se radi o vrsti cijevi s ojačanjem otpornim na vakuum kako bi se izbjeglo njeno sužavanje uslijed usisavanja.

U slučaju nepomične instalacije, preporučuje se montaža ventila za zatvaranje i na usisnom i na dovodnom dijelu. To omogućuje zatvaranje linije uzvodno i/ili nizvodno od pumpe, što je korisno za sve intervencije održavanja i čišćenja ili u periodima u kojima se pumpa ne koristi.

Pumpa je opremljena rotirajućim ulazima kako bi se olakšala instalacija. (3) i (4).

U slučaju fleksibilnih cijevi, potrebno je koristiti krivu cijev, sl. 1 i komplet opreme za rad u vrtu koji se sastoji od PE cijevi i kompleta priključaka s uskim nastavkom, koji nisu dio opreme ali se mogu odvojeno nabaviti.

U prisustvu prljavštine vrlo malih dimenzija preporučuje se uporaba, osim integriranog filtra (1) još jednog filtra na ulazu pumpe, montiranog na usisnoj cijevi.

- Nemojte podvrgavati motor pretjeranim pokretanjima/sat. Izričito se preporučuje da broj pokretanja ne pređe 20 pokretanja /sat.

Promjer usisne cijevi mora biti veći ili jednak promjeru otvora električne pumpe, pogledajte Tablicu 3.



7. ELEKTRIČNO PRIKLJUČIVANJE



Uvjerite se da mrežni napon odgovara naponu navedenom na pločici motora i da je moguće izvršiti dobro uzemljenje. **Pridržavajte se uputa navedenih na tehničkoj pločici i u ovom priručniku, u tablici 3.**

Dužina kabela za napajanje prisutnog na pumpi ograničava udaljenost instalacije. **U slučaju da je potreban produžni kabel, uvjerite se da je on iste vrste, pogledajte tab. (npr. H05 RN-F ili H07 RN-F ovisno o instalaciji) pogledajte tab.3.**

8. POKRETANJE



Nemojte pokrenuti pumpu ako je niste potpuno napunili tečnošću, otprilike 4 litra, dok ne izađe iz čepa za odzračivanje (2). U slučaju da dođe do nedostatka vodenog resursa, odmah izvucite utikač iz utičnice, kako biste isključili pumpu. Izbjegavajte rad na suho.

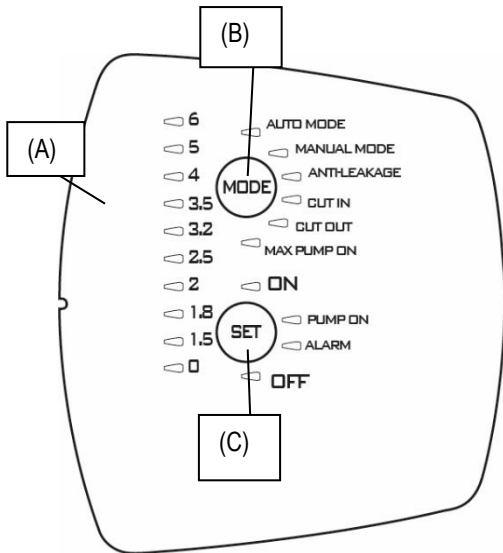
1. Prije pokretanja provjerite da li pumpa ispravno usisava, obezbjeđujući njeno potpuno punjenje čistom vodom, preko odgovarajućeg otvora, nakon što ste ručno ili putem odgovarajuće sprave, koja je dio opreme, skinuli čep za punjenje prozirnog filtra (1). Istodobno otvorite i čep za odzračivanje (2) kako biste ispustili zrak. Ova radnja je izuzetno važna za savršen rad pumpe, i neophodna je kako bi mehanička brtva bila dobro podmazana. **Rad na suho uzrokuje nepopravljiva oštećenja na mehaničkoj brtvi.**
2. Čep za punjenje mora se nakon toga pažljivo zavrtiti do kraja (1) kao i čep za odzračivanje (2).
3. Umetnite utikač kabela za napajanje u 220-240V strujnu utičnicu. **Pažnja!** Motor pumpe će se odmah pokrenuti, voda će početi izlaziti nakon maksimalno 3 minute, što ovisi o dubini razine vode, jame ili cisterne.
4. Pumpa će nastaviti s radim i isporučivati vodu. **Pažnja!** Spriječite rad na suho.
5. Za isključivanje pumpe izvucite iz utičnice utikač kabela za napajanje.



U slučaju problema s početnim punjenjem, ponovite postupak dok zrak u usisu potpuno ne nestane.

9. ELEKTRONIČKO SUČELJE ZA UPRAVLJANJE

9.1 Pregled svojstava



Opis	Parametri
Napon, frekvencija kartice	1x220-240V, 50/60 Hz
Oznaka napona on/off	●
Oznaka motora on/off	●
Oznaka alarma	●
Oznaka tlaka	●
Oznaka Mode	●
Auto mode	●
Manual Mode	○
Zaštita od rada na suho	●
Zaštita od curenja	○
Zaštita Max pump on	○ (30 minuta)
Tlak Cut-in	○ Promjenljiv (1,5 – 3,0 bar)
Tlak Cut-out	○ (Cut-in + 1 bar)
Samostalno početno usisavanje	●
Tipke za odabir	●

● = Stalni; ○ = Može se odabrati

9.1.1 Opis zaslona:

(A) Led pokazivači tlaka

Koriste se 10 led pokazivača tlaka od 0 do 6 bar. Kad se u sustavu promijeni tlak led pokazivači se pale ili gase.

Funkcija	Konfiguracija zaslona	Set	Reset Alarm
Manual mode		ON: Omogućiti OFF: Onemogućiti	
Anti-leakage		ON: Omogućeno OFF: Onemogućeno	Pritisnite SET
Cut in		Povećaj/Smanji	
Cut out		Povećaj/Smanji OFF: onemogućeno	
Max pump on		ON: omogućeno OFF: onemogućeno	Pritisnite SET

(B) Tipka za odabir MODE

Načini koji se mogu birati:

- 1) AUTO_MODE;
- 2) MANUAL_MODE;
- 3) ANTI LEAKAGE;
- 4) CUT_IN;
- 5) CUT_OUT;
- 6) MAX_PUMP_ON;

Za deblokiranja odabira funkcija na "MODE" pritisnite tipku "MODE" 5 sekundi.

Pritisnite "MODE" za listanje različitih načina rada (AUTO_MODE ili MANUAL_MODE) ili parametara koji se mogu promijeniti (CUT IN i CUT OUT) ili za omogućavanje nekih funkcija (ANTI-LEAKAGE i MAX PUMP ON). Tijekom listanja led svjetla odabrane funkcije trepere. Po povratku u AUTO_MODE aktivne funkcije su označene odgovarajućim stalno upaljenim led svjetlom. Pogledajte odlomak 2 (Opis funkcija).

Pokazivači na "MODE"

AUTO MODE: pumpa će raditi na automatski način, pogledajte 9.2.1.

MANUAL MODE: pumpa radi na ručni način, pogledajte 9.2.1. Korisnik odlučuje njeno uključivanje i isključivanje djelujući na tipku "SET". SET-ON uključena, SET-OFF isključena.

CUT-IN: postavka tlaka (uvijek omogućena) minimalni tlak ispod kojeg se pumpa aktivira. Može se postaviti između 1,5 i 3,0 bara, tvornički postavljena na 1.8 bara; pumpa se aktivira čak i ako je protok niži od tvornički postavljene minimalne vrijednosti od 1,5 l/min.

CUT-OUT: postavka tlaka (onemogućena) tlak iznad kojeg se pumpa zaustavlja, tvornički postavljena na "CUT-IN" + 1 LED, ali se može povećati do 3.5 bara (50.8 psi).

Za omogućavanje, odaberite funkciju pritiskom na "MODE" dok led svjetlo koje odgovara postavci CUT-OUT ne zatreperi. Nakon:

- 1) držati pritisnuto SET **10 sekundi** da bi omogućili/otključali funkciju (u ovom trenutku LED svjetla vrijednosti tlaka će zasvijetliti),
- 2) pritisnuti SET za odabir željene vrijednosti,
- 3) da biste onemogućili funkciju, postavite cut-out vrijednost na 0 [bar ili psi],
- 4) izađite iz postavljanja pritiskom na MODE.

NOTA: vrijednost CUT-OUT može se promijeniti SAMO nakon otključavanja funkcije pritiskom na SET tipku 10 sekundi. Nakon 1 sekunde bez pritiskanja bilo kojeg gumba, funkcija će se ponovno zaključati.

ANTI-LEAKAGE: zaštita od curenja. Funkcija može biti omogućena ili onemogućena. Tvornički je onemogućena. Kad je omogućena, ako dođe do slučaja da se pumpa pokreće više od 6 puta u 2 minute, ona će se zaustaviti i pojaviti će se pogreška putem crvenog LED svjetla koje polako trepće na oznaci "ALARM".

Za omogućavanje, odaberite funkciju pritiskom na "MODE" dok odgovarajuće led svjetlo ne zatreperi. Nakon toga pritisćite SET dok se ne upali led "ON". Za onemogućavanje, pritisćite SET dok upaljeno svjetlo ne prikaže OFF.

Kad se ukloni uzrok, resetirajte alarm. Ako je još uvijek prisutan, pogledajte 9.2.3.

MAX PUMP ON: maksimalno vrijeme rada. Funkcija može biti omogućena ili onemogućena. Tvornički je onemogućena. Kad je omogućena, ako dođe do slučaja da pumpa radi više od 30 minuta, ona će se zaustaviti i neće se pojaviti oznaka pogreške.

Ova funkcija se koristi kao zaštita instalacije u slučaju nenamjernog zaboravljanja otvorene slavine, u slučaju lomljenja cijevi ili u primjenama za navodnjavanje.

Za omogućavanje, odaberite funkciju pritiskom na "MODE" dok se led svjetlo koje odgovara funkciji MAX PUMP ON ne upali, a nakon toga pritisćite SET dok se ne upali led svjetlo "ON". Za onemogućavanje, pritisćite SET dok upaljeno svjetlo ne prikaže OFF.

(C) Tipka za odabir SET

Načini koji se mogu birati:

- 1) Reset alarma;
- 2) Omogućavanje/onemogućavanje u MODE (MAX_PUMP_ON, ANTILEACKAGE)
- 3) Povećavanje parametara u MODE (CUT_IN; CUT_OUT);
- 4) Motor ON/OFF u MANUAL MODE;
- 5) Aktivna pumpa/pumpa u stanju pripravnosti u AUTO MODE.

Za promjenu parametara pritisnite "SET". U slučaju da je led svjetlo upaljenu na MODE-CUT IN ili MODE-CUT OUT, vrijednost će biti prikazana na traci s led pokazivačem tlaka. Pritiskom na "SET" vrijednost se povećava. Nakon postavljanja željene vrijednosti izađite iz promjene pritiskom na "MODE" i ponovno dovodeći led svjetlo na MODE-AUTO i omogućeni SET "ON".

Pritisnite SET kako biste omogućili/onemogućili i funkcije Anti-leakage i Max pump On. Nakon što ste odabrali funkciju tipkom "MODE" omogućite je odabirom SET-ON. Za onemogućavanje odaberite SET-OFF.

U načinu rada "MANUAL" tipka SET služi za uključivanje ili isključivanje pumpe, a led svjetlo je upaljeno na "On" ili "OFF".

U automatskom načinu rada AUTO-MODE služi za omogućavanje "ON" ili postavljanje u stanje pripravnosti "OFF".

PUMP ON: oznaka koja odgovara motoru u radu.

9.2 Opis funkcija**9.2.1 Pumpa ON/OFF (AUTO MODE, MANUAL MODE)**

Postavka Cut out onemogućena → nakon što ste ukopčali utikač u utičnicu, nakon testiranja led svjetala, pumpa se uključuje 10 sekundi.

Postavka Cut out omogućena → Nakon što ste ukopčali utikač u utičnicu vrši se test led svjetala prve 3 sekunde (paljenje led svjetla 0 uvijek označava prisustvo napona) i postavlja se na zadani način rada "AUTO MODE" uz paljenje kontrolnog svjetla "ON". Pumpa počinje s radom ako je tlak niži od vrijednosti CUT -IN a donji protok niži od minimalnog protoka cut-in. Pumpa ostaje u radnom stanju dok je tlak niži od vrijednosti CUT-OUT, a kad je dostigne isključuje se neovisno o protoku.

Međutim, ako se odabere način rada "MANUAL MODE", jednim pritiskom na tipku "MODE", pumpa se pokreće ako je upaljeno led svjetlo "ON"; u protivnom, pritiskom na "SET", pumpa se isključuje i pali se led svjetlo "OFF".

Kad pumpa počne s radom ulazi u način rada POČETNO USISAVANJE.

Napomena: uvjerite se da ste slijedili upute za instalaciju i da je pumpa potpuno napunjena vodom.

9.2.2 Faza početnog usisavanja

Kad pumpa počne raditi, ulazi u način rada početnog usisavanja. Za vrijeme ove faze, ako nedostaju protok i tlak, pumpa održava motor upaljenim 3 minuta, a nakon toga ulazi u alarm rada na suho. Nasuprot, ako u tom vremenskom intervalu postoje protok ili tlak, vrši se početno usisavanje i pumpa će normalno raditi.

9.2.3 Reset alarma

Kad se pojavi alarm, pali se crveno kontrolno svjetlo na "ALARM". Alarm se resetira jednim pritiskom na tipku "SET". Ako je uzrok alarma uklonjen nastavlja se s normalnim radom; u protivnom, pumpa se ponovno vraća u stanje alarma.

9.2.4 Oznaka napona ON/OFF

Ako postoji napon led svjetlo tlaka 0 na led traci je upaljeno. Ako nema napona, ovo led svjetlo je ugašeno.

Napomena: tijekom dugih perioda neaktivnosti preporučuje se prekidanje napona izvlačenjem utikača iz utičnice.

9.2.5 Oznaka pumpe On/off

Kad je motor u radu, plavo svjetlo na "PUMP ON" mora biti upaljeno kako bi označilo rad motora. Kad se motor isključi ovo led svjetlo se gasi.

9.2.6 Oznaka alarma

Kad je prisutan alarm aktivira se crveno stalno upaljeno ili trepćuće svjetlo na oznaci "ALARM".

Rad na suho (Dry-running): stalno upaljeno crveno svjetlo

Curenje (Leakage): sporo treptanje

Max Pump ON (pumpa radi više od 30 minuta): 2 brza treperenja s dužom pauzom između njih.

Pritisnite "SET" za resetiranje alarma.

9.2.7 Zaštita od rada na suho (Dry running protection)

Ako pumpa radi na suho, nakon nekoliko sekundi (40 s) zaustavlja se i pojavljuje se oznaka pogreške sa stalno upaljenim crvenim kontrolnim svjetlom na oznaci "ALARM".

Nakon prvog perioda od 30 minuta u kojem se pumpa nalazi u stanju OFF, počinje novi pokušaj pokretanja koji traje 5 minuta. Ako ni ovaj pokušaj nije uspješan, svakih 30 minuta dolazi do novog pokušaja koji će se ponavljati maksimalno 48 puta. Ako su svi ovi pokušaji neuspješni, novi pokušaji će se vršiti svaka 24 sata.

Uređaj automatski izlazi iz alarma rada na suho ako se pojave protok ili tlak.

Ako se alarm resetira, pogledajte 9.2.3, vrši se novi pokušaj od 40 sekundi.

Uklonite uzroke i resetirajte alarm, pogledajte 9.2.3.

9.2.8 Zaštita od curenja (ANTI-LEAKAGE).

Funkcija može biti omogućena ili onemogućena; tvornički je postavljena na onemogućeno. Kad je omogućena, ako dođe do slučaja da se pumpa pokreće više od 6 puta u 2 minute, ona će se zaustaviti i pojaviti će se pogreška putem crvenog LED svjetla koje polako trepće na oznaci "ALARM".

Uklonite uzroke i resetirajte alarm, pogledajte 9.2.3.

Za proceduru omogućivanja pogledajte Anti-leakage.

9.2.9 Max pump on

Maksimalno vrijeme rada. Funkcija može biti omogućena ili onemogućena. Tvornički je onemogućena. Kad je omogućena, ako dođe do slučaja da pumpa radi više od 30 minuta, ona će se zaustaviti i pojaviti će se treperenje na oznaci ALARM.

Ova funkcija se koristi kao zaštita instalacije u slučaju nenamjernog zaboravljanja otvorene slavine, u slučaju lomljenja cijevi ili u primjenama za navodnjavanje.

9.2.10 Alarm senzora tlaka

Uređaj ulazi u alarm senzora tlaka ako je vrijednost tlaka izvan radnog raspona (0-15 bar). Pumpa se isključuje, pogreška će se resetirati čim se stanje tlaka vrati u raspon.

9.3 Prvo pokretanje

9.3.1 Test led svjetala

Kod prvog pokretanja i u svakom slučaju nakon što ste ukopčali utikač u utičnicu, vrši se test 20 LED svjetala od nekoliko sekundi. Tijekom tog vremena led svjetla se pale po redoslijedu.

9.3.2 Prvo početno usisavanje

Pumpa se automatski postavlja na **AUTO** mode način rada s postavkom na **ON**.

Moguća su tri slučaja:

- 1) Protok prisutan ali pod niskim tlakom: pumpa izlazi iz faze početnog usisavanja i počinje normalan rad.
- 2) Tlak prisutan, ali nema protoka: nakon 10 sekundi u ovom stanju pumpa se isključuje.
- 3) Nisu prisutni ni tlak ni protok; pumpa se isključuje i pojavljuje se pogreška Rad na suho, nakon otprilike 3 minuta. Pogreška je označena upaljenim crvenim led svjetlom na oznaci SET ALLARM. Uklonite uzrok i resetirajte alarm, pogledajte 9.2.3.

9.4 Normalne radnje s onemogućenom postavkom CUT-OUT (tvornički)

Onemogućena postavka Cut-out znači da postoji sljedeće:

- Pumpa se aktivira ako postoji protok ili u odsustvu tlaka, tlak niži od postavke CUT IN (u 10 ms).
- Pumpa se zaustavlja ako postoji stanje prisustva tlaka, ali odsustva protoka neprekidno u trajanju od 10 s.

Led svjetlo CUT OUT je ugašeno tijekom normalnog rada. Za promjenu postavki pogledajte 9.1.1.B.

9.5 Normalne radnje s omogućenom postavkom CUT-OUT

Omogućena postavka Cut-out znači da postoji sljedeće:

- Pumpa se aktivira ako je tlak niži od tlaka CUT IN.
- Pumpa se zaustavlja ako je tlak viši od tlaka CUT OUT.

Led svjetlo CUT OUT je upaljeno tijekom normalnog rada. Za promjenu postavki pogledajte 9.1.1.B.

10. MJERE OPREZA

OPASNOST OD ZAMRZAVANJA: kad pumpa ostane neaktivna na temperaturi nižoj od 0°C, treba provjeriti da nema preostale vode koja bi se mogla zamrznuti i dovesti do stvaranja naprslina na plastičnim dijelovima.

Ako je pumpa korištena s tvarima koje se polažu, ili s kloriranom vodom, nakon uporabe isperite je snažnim mlazom vode kako bi se izbjeglo stvaranje naslaga koji bi mogle umanjiti svojstva pumpe.

11. ODRŽAVANJE I ČIŠĆENJE

Prilikom normalnog rada električna pumpa ne zahtijeva bilo kakvu vrstu održavanja. U svakom slučaju sve intervencije popravki i održavanja moraju se vršiti samo nakon što se pumpa odspoji s mreže napajanja. Kad se pumpa ponovno pokreće, uvjerite se da je ispravno montirana, kako ne bi bila uzrok opasnosti po ljude i stvari.

11.1 Čišćenje usisnog filtra (Sl. 3)

- Odspojite električno napajanje pumpe.
- Izvršite drenažu pumpe, tako što ćete otvoriti čep za pražnjenje (6), nakon što ste prvo zatvorili uzvodne zasune (ako su prisutni).
- Odvijte poklopac komore filtra, ručno ili uz pomoć odgovarajuće sprave koja je dio opreme.
- Izvucite odozgo jedinicu filtra.
- Isperite čašu pod tekućom vodom i očistite filter mekanom četkom.
- Ponovo montirajte filter vršeći radnje obrnutim redoslijedom.

11.2 Čišćenje nepovratnog ventila (Sl. 4)

- Odspojite električno napajanje pumpe.
- Skinite čep nepovratnog ventila (NRV) (5) spravom koja je dio opreme.
- Skinite zaporni ventil (NRV) i očistite ga od eventualne prljavštine.
- Sklopite dijelove obrnutim redoslijedom u odnosu na rasklapanje.

12. TRAŽENJE KVAROVA



Prije nego što započnete tražiti kvarove, potrebno je prekinuti dovod struje u pumpu (izvući utikač iz utičnice). Ako su kabel za napajanje ili pumpa oštećeni na bilo kojem od električnih dijelova, zbog spriječavanja svake opasnosti, popravak ili zamjenu mora vršiti Konstruktor ili njegova služba tehničke potpore ili osoba s jednakom kvalifikacijom.

SMETNJE	PROVJERE (mogući uzroci)	RJEŠENJA
1. Motor se ne pokreće i ne stvara buku.	A. Provjerite električna povezivanja. B. Provjerite je li motor pod naponom. C. Provjerite zaštitne osigurače. D. Moguća intervencija termičke zaštite.	C. Ako su pregoreli, zamijenite ih. D. Sačekajte otprilike 20 min dok se motor ne ohladi. Provjerite što je uzrok tome i uklonite ga. Napomena: u slučaju da se kvar odmah ponovo pojavi, znači da je motor u kratkom spoju.
2. Motor se ne pokreće, ali stvara buku.	A. Provjerite da mrežni napon odgovara naponu navedenom na pločici motora. B. Pretražite moguće zapreke pumpe ili motora. C. Provjerite je li osovina blokirana. D. Provjerite stanje kondenzatora.	B. Uklonite zapreke. C. Uz pomoć sprave koja je dio opreme odvijte mali poklopac i odvijačem odblokirajte osovinu. D. Zamijenite kondenzator.
3. Motor se okreće uz poteškoće.	A. Provjerite je li napon napajanja nedovoljan. B. Provjerite postoji li struganje između pokretnih i nepokretnih dijelova.	B. Uklonite uzroke struganja.
4. Pumpa ne izbacuje tekućinu.	A. Pumpa ne usisava ispravno. B. Usisna cijev s nedovoljnim promjerom. C. Nepovratni ventil (NRV) ili filter zapriječeni.	A. Napunite pumpu vodom i izvršite usisavanje, pazeći da ispuštite zrak djelujući na čep za odzračivanje. B. Zamijenite cijev drugom cijevi s većim promjerom. C. Dobro očistite filter, a u slučaju da to nije dovoljno i nepovratni ventil (NRV).

5. Pumpa ne usisava.	A. Usisavanje zraka putem usisne cijevi. B. Negativni nagib usisne cijevi pomaže stvaranju zračnih rupa.	A. Uklonite tu pojavu tako što ćete provjeriti nepropusnost priključaka i usisnih cijevi i ponovite radnju usisavanja. B. Ispravite nagib usisne cijevi.
6. Pumpa izbacuje nedovoljan protok tekućine.	A. Usisna cijev je zapriječena. B. Rotor je istrošen ili zapriječen. C. Usisna cijev s nedovoljnim promjerom.	A. Dobro očistite usisnu cijev. B. Uklonite zapreke ili zamijenite istrošene pojednosti. C. Zamijenite cijev drugom cijevi s većim promjerom.
7. Pumpa vibrira i bučno radi.	A. Provjerite jesu li pumpa i cijevi dobro pričvršćene. B. Pumpa radi s kavitacijom, tj. traži veću količinu vode u odnosu na količinu koju može pumpati. C. Pumpa radi s višim vrijednostima u odnosu na one navedene na pločici.	A. Bolje pričvrstite opuštene zidove. B. Smanjite visinu usisavanja ili provjerite gubitak tlaka. C. Može biti od koristi ograničiti dovodni kapacitet protoka.

13. JAMSTVO



Bilo kakva promjena koja nije prethodno ovlaštena, oslobađa proizvođača od bilo kakve odgovornosti. Svi rezervni dijelovi korišteni u popravcima moraju biti originalni i sva dodatna oprema mora biti ovlaštena od strane proizvođača, kako bi se mogla jamčiti maksimalna sigurnost strojeva i sustava u kojima se montiraju ove pumpe.

Ovaj proizvod pokriven je legalnim jamstvom (u Europskoj zajednici rok je 24 mjeseca od datuma kupnje) koje se odnosi na sve defekte nastale greškama u proizvodnji ili uslijed korištenog materijala.

Proizvod u jamstvenom roku može biti, po potrebi, zamijenjen proizvodom u savršenom radnom stanju ili besplatno popravljen ako se poštuju sljedeći uvjeti:

- proizvod je korišten na ispravan način i u skladu s uputama i kupac ili treće osobe nisu ga pokušali popraviti ni na koji način;
- proizvod je predat prodajnom mjestu, uz prilog dokumenta koji potvrđuje njegovu kupnju (faktura ili fiskalni račun) i kratki opis problema.

Rotor i dijelovi podložni trošenju nisu pokriveni jamstvom. Intervencija u jamstvenom roku ni u kom slučaju ne produžuje početni period.

TARTALOMJEGYZÉK

1. ALKALMAZÁSOK	98
2. SZIVATTYÚZHATÓ FOLYADÉKOK	99
3. MŰSZAKI ADATOK ÉS FELHASZNÁLÁSOK KORLÁTOZÁSAI	99
4. KEZELÉS	99
4.1 Tárolás	99
4.2 Szállítás	99
4.3 Súly és méretek	99
5. FIGYELEM	99
6. ÖSSZESZERELÉS	100
7. ELEKTROMOS BEKÖTÉS	100
8. BEINDÍTÁS	100
9. ELEKTROMOS KEZELŐI INTERFÉSZ	101
9.1 A jellemzők áttekintése	101
9.1.1 A kijelző leírása:	101
9.2 A funkciók leírása	102
9.2.1 ON/OFF szivattyú (AUTO MODE, MANUAL MODE)	102
9.2.2 Feltöltési fázis	103
9.2.3 Vészjelzések visszaállítása	103
9.2.4 Feszültség jelzés BE/KI	103
9.2.5 Szivattyú jelzés BE/KI	103
9.2.6 Vészjelzések jelzése	103
9.2.7 Szárazon futás elleni védelem (Dry running protection)	103
9.2.8 Védekezés szivárgás ellen (ANTI-LEAKAGE)	103
9.2.9 Max pump on	103
9.2.10 Nyomásérzékelő vészjelzés	103
9.3 Első beindítás	103
9.3.1 Teszt a LED-eken	103
9.3.2 Első feltöltés	103
9.4 Normális működés kikapcsolt CUT-OUT mellett (gyárilag)	103
9.5 Normális működés bekapcsolt CUT-OUT mellett	104
10. ÓVINTÉZKEDÉSE	104
11. KARBANTARTÁS ÉS TISZTÍTÁS	104
11.1 Szívószűrő tisztítása	104
11.2 NRV szelep tisztítása	104
12. HIBAKERESÉS	104
13. GARANCIA	105

FIGYELEM



A telepítés előtt gondosan olvassa el a dokumentációt.



Minden egyes beavatkozás előtt húzza ki a dugót. Kerülje el a szárazon működést.



Védje az elektromos szivattyút az időjárás viszontagságai ellen.



Túlterhelés elleni védelem: a szivattyú el van látva egy hővédelmi kapcsolóval a túlterhelés ellen. A motor esetleges túlmelegedésekor a motorvédelem automatikusan kikapcsolja a szivattyút A lehülési idő kb. 15-20 perc, ezt követően a szivattyú automatikusan újraindul. A motorvédelem beavatkozása esetén fontos, hogy beazonosítsa a hibajelenség okát és küszöbölje ki a hiba ismételt lehetőségét. Tanulmányozza a hibakeresési táblázatot.

1. ALKALMAZÁSOK

Öntelítődő vízsugárszivattyúk optimális lehetőséget biztosítva a gázos vizek szívásához is. Különösen alkalmas vízellátásra és nyaralók nyomás biztosítására. Alkalmas kis mezőgazdaságokban és kertgazdaságokban, háztartási vészhelyzetekben és hasonló hobbik üzésére. A kompakt és jól kezelhető formájának köszönhetően hordozható szivattyúként is használhatók olyan vészhelyzetekben, amelyekben tartályokból vagy folyókból vizet kell szivattyúzni.

Ha a termék Wifi kapcsolattal van ellátva, kérem olvassa el a "quick guide"-ban leírtakat.



Ezeket a szivattyúkat nem szabad medencékben, szennyvízelvezetőkben, személyekkel tele medencékben vagy szénhidrogének szivattyúzására (benzin, gázolaj, üzemanyagok, oldószerek, stb.) használni a témában érvényes baleset-megelőzési szabványok szerint. Mielőtt helyre teszi, érdemes megtisztítani. Lásd a „Karbantartás és Tisztítás“ fejezetet.

2. SZIVATTYÚZHATÓ FOLYADÉKOK

Legyen tiszta, szilárd vagy dörzskoptató ill. agresszív anyagoktól mentes.

Friss víz	•
Esővíz (szűrt)	•
Tiszta szennyvíz	○
Szennyvíz	○
Kútvíz (szűrt)	•
Folyó-, vagy tóvíz (szűrt)	•
Ivóvíz	•

1. táblázat

- Alkalmos
- Nem alkalmas

3. MŰSZAKI ADATOK ÉS FELHASZNÁLÁSOK KORLÁTOZÁSAI

- **Tápfeszültség: 220-240V**, lásd az elektromos adatok címkét.
- **Késleltetett vonal biztosítékok (220-240V verzió):** szabványos értékek (Amper).
- **Tárolási hőmérséklet: -10°C +40°C.**

Modell	Vonal olvadóbiztosíték 220-240V 50Hz
P1= 850	4
P1= 1100	6
P1= 640	4
P1= 920	6

2. táblázat

	Modell	P1=850	P1=1100	P1=640	P1=920
Elektromos adatok	P1 Névleges elnyelt teljesítmény [W]	850	1100	640	920
	P2 [W]	600	750	380	560
	Hálózati feszültség [V]	1~220-240 AC			
	Hálózati frekvencia [Hz]	50			
	Áram [A]	3.88	4.58	3.10	4.20
	Kondenzátor [µF]	12.5	16	16	12.5
	Kondenzátor [Vc]	450			
Hidraulikus adatok	Max. hozam [l/h]	3180	3750	3600	4800
	Max. szállítás [m]	43	45	32	40
	Max. szállítás [bar]	4.3	4.5	3.2	4.0
	Max. nyomás [bar]	6			
	Max. elszívási mélység [m/perc]	8m / <3min		6m / <3min	
Alkalmazási terület	hossz Tápellátó vezeték [m]	1.5			
	Vezeték típus	H07 RNF			
	Motor védelmi fok	IP X4			
	Szigetelési osztály	F			
	Folyadék hőmérsékleti mező [°C] EN 60335-2-41 szerint otthoni használatra	0 °C / +35 °C			
	A részecskék mérete max.	tiszta víz			
	Max. Szobahőmérséklet [°C]	+40 °C			
Súly	DNM GAS	1" M			
	Nettó/bruttó súly kb. [kg]	9.6/11.8	10.3/12.5	10.1/12.1	10.9/12.9

3. táblázat



A szivattyú nem tudja megtartani a tömlők súlyát, ezt más módon kell megtartani.

4. KEZELÉS

4.1 Tárolás

Az összes szivattyút zárt, száraz és a páratartalomtól védett helyen kell tartani, lehetőleg állandóan, rezgésektől és poroktól mentesen. Eredeti csomagolásban szállítjuk, és ebben kell maradniuk a telepítés pillanatáig.

4.2 Szállítás

Kerülje a termék szükségtelen ütközését és ütődését.

4.3 Súly és méretek

A csomagoláson lévő matrica a teljes elektromos szivattyú súlyát és méreteit mutatja.

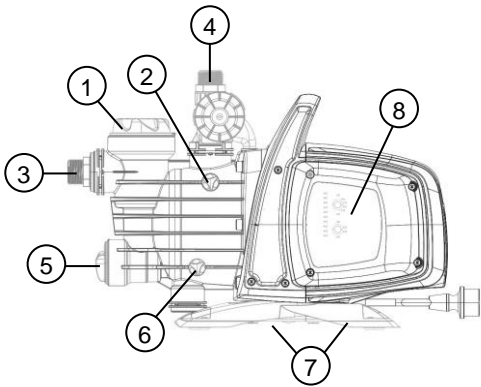
5. FIGYELEM



A szivattyúkat nem kell szállítani, felemelni vagy felfüggesztve működtetni a tápvezetékét használva, használja a megfelelő akasztót.

- A szivattyút ne működtesse szárazon.
- Tanácsoljuk, hogy a légtieresztő/kimenetikapak (2 és 6) nyitásánál/zárásánál ne szorítsamegtúlságosan a kupakot.

6. ÖSSZESZERELÉS



1. Előszűrő
2. Szellőző dugó
3. Beállítható elszívó csatlakozás
4. Előremenő csatlakozás
5. Beépített nem visszatérő szelep
6. Kiürítő dugó
7. Rezgécsökkentő gumilábak
8. Elektromos kezelői interfész

Az elektromos szivattyút az időjárás viszontagságaitól mentes helyen telepítse, ahol a környezeti hőmérséklet nem lépi túl a 40°C fokot.

A szivattyún rezgéscsökkentő lábak vannak, de állandó telepítés esetén eltávolíthatók és a talpzat hornyolható (7).

Kerülje, hogy a tömlők túlzott erőt adjanak át a szivattyú szájának (3) és (4), hogy ne hozzon létre eldeformálódásokat vagy repedéseket.

Helyes szem előtt tartani azt, hogy a szivattyút a lehető legközelebb kell elhelyezni a szivattyúzandó vízhez.

A szivattyú kizárólag vízszintes helyzetben installálható.

A tömlők átmérője soha ne legyen kisebb, mint az elektromos szivattyú szája és beszívásnál a szivattyún van egy szűrő (1) és egy nem visszatérő szelep (NRV) (5).

A négy métert meghaladó szívási mélység vagy jelentős vízszintes csőhossz esetén javasolt olyan szívócsövet alkalmazni mely nagyobb, mint a szivattyú torokmérete. A szívócsőben kialakuló légzsákok kialakulásának elkerülése érdekében gondoskodni kell arról, hogy a szívócső enyhén emelkedjen a szivattyú felé. 2. ábra

Ha a beszívó tömlő gumiból vagy egyéb rugalmas anyagból lenne, akkor mindig ellenőrizze, hogy vákuumnak ellenálló, edzett anyag legyen, hogy elkerülje a beszívás hatása miatti összeszűküléseket.

Állandó telepítés esetén ajánlatos zárószelepet felszerelni a beszívó és az előremenő oldalra is. Ez lehetővé teszi, hogy a szivattyú felső szakaszát és/vagy az alsó szakaszát elzárhassa, amely az összes karbantartó és tisztító műveleteknél hasznos, ahol a szivattyút nem használja.

A szivattyún forgó bemenetek vannak, a telepítés megkönnyítéséhez. (3) és (4)

Rugalmas tömlők esetén szükség esetén használjon meghajlított idomot (1. ábra) és a kertészkedési készletben található PE anyagból készült tömlőt és lándzsás csővégekészletet, amelyeket nem szállítunk, de külön megvásárolhatók.

Kisméretű szennyeződések jelenléte esetén ajánlatos a beépített szűrőn kívül (1) a beszívó tömlőre szerelt szivattyú bemeneti szűrő használatát.

- A motort ne tegye ki túlzottan sok beindításnak/működési órának, kifejezetten ajánlatos nem túllépni a 20 beindítást/órát.



A beszívó tömlő átmérője legyen nagyobb vagy egyenlő az elektromos szivattyú átmérőjével, lásd 3. táblázat.

7. ELEKTROMOS BEKÖTÉS



Győződjön meg arról, hogy a rendelkezésre álló elektromos feszültség megfelel a motor adattábláján feltüntetett feszültségnek és ALAKÍTSON KI EGY JÓ VÉDŐFÖLDELEST. **Tartsa be a műszaki címkén és ebben a 3. táblázatban megadott utasításokat.**

A szivattyún lévő tápvezeték hossza korlátozza a telepítési távolságot, ha hosszabbítóra van szüksége, akkor azonos típusút használjon (pl.H05 RN-F vagy H07 RN-F a telepítéstől függően) lásd 3. tábl.

8. BEINDÍTÁS



Ne indítsa be a szivattyút, mielőtt nem töltötte fel teljesen, kb. 4 liter folyadékkal, amíg nem folyik ki folyadék a légelvezető dugóból (2).

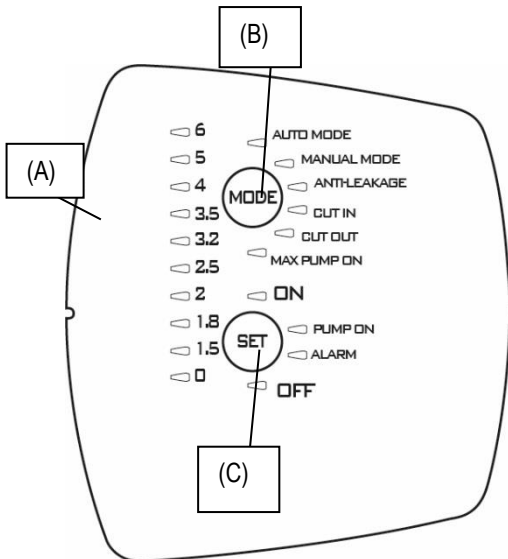
Ha a vízforrás kiürült, akkor azonnal húzza ki a dugót, a szivattyút kikapcsolva. Kerülje a szárazon futást.

1. A beindítás előtt ellenőrizze, hogy a szivattyú rendesen és teljesen feltöltötte tiszta vízzel a megfelelő lyukon keresztül, miután eltávolította az átlátszó szűrő betöltő dugót (1) a kezével vagy a csomagban található megfelelő szerszámmal. Ezzel egy időben nyissa meg a légelvezető dugót (2), hogy a levegő kiléphessen. Ez a művelet alapvető fontosságú a szivattyú helyes működése érdekében, mivel elengedhetetlenül fontos a csúszógyűrűs tömítés vízzel való kenése. **A szárazon történő működtetés visszavonhatatlan károsodást okoz a csúszógyűrűs tömítésnél.**
2. A betöltő dugót teljesen csavarozza be (1), csakúgy, mint a légelvezető dugót (2).
3. Dugja be a dugót 220-240V-os konnektorba. **Figyelem!** A szivattyú motorja azonnal beindul, a víz elkezd kifolyni legfeljebb 3 perc után, ami a kútban vagy a csatornában lévő vízszint mélységétől függ.
4. A szivattyú tovább működik és tovább ereszt ki vizet. **Figyelem!** Kerülje a szárazon futást.
5. A szivattyú kikapcsolásához húzza ki a dugót a tápellátó vezetékéből.



Ha problémái vannak a feltöltéssel, akkor ismétlje meg a kezelést, amíg az összes levegő eltűnik a beszíváskor.

9. ELEKTROMOS KEZELŐI INTERFÉSZ



9.1 A jellemzők áttekintése

Leírás	A paraméterek áttekintése
Feszültség, frekvencia kártya	1x220-240V, 50/60 Hz
Feszültség jelzés be/ki	●
Motor jelzés be/ki	●
Vészjelzések jelzése	●
Nyomás jelzése	●
Mód jelzése	●
Auto mód	●
Kézi mód	○
Üres sebesség elleni védelem	●
Szivárgások elleni védelem	○
Max pump on védelem	○ (30 perc)
Nyomás cut-in	○Változó (1,5 – 3,0 bar)
Nyomás cut-out	○ (Cut-in + 1 bar)
Auto feltöltés	●
Kiválasztó gomb	●

● = Rögzített; ○ = Kiválasztható

9.1.1 A kijelző leírása:

(A) Nyomás LED jelzők

10 LED-et használ a 0-6 bar közötti nyomás kijelzésére. Amikor a rendszerben a nyomás változik, akkor a LED-ek ennek megfelelően bekapcsolnak vagy kikapcsolnak.

Funkció	Kijelző konfiguráció	Beállítás	Vészjelzés visszaállítása
Auto Mode		ON: Bekapcsol OFF: Kikapcsol	
Manual mode		ON: Bekapcsol OFF: Kikapcsol	
Anti-leakage		ON: Bekapcsolt OFF: Kikapcsolt	Nyomja meg a BEÁLLÍTÁS gombot
Cut in		Növeli/csökkenti	
Cut out		Növeli/csökkenti OFF: kikapcsolt	
Max pump on		ON: bekapcsolt OFF: kikapcsolt	Nyomja meg a BEÁLLÍTÁS gombot

(B) MÓD kiválasztó gomb

Kiválasztható módok:

- | | |
|-------------------|-----------------|
| 1) AUTO_MODE; | 4) CUT_IN; |
| 2) MANUAL_MODE; | 5) CUT_OUT, |
| 3) ANTI LEACKAGE; | 6) MAX_PUMP_ON; |

A funkciók kiválasztásának engedélyezéséhez „MODE”-ban, nyomja meg a „MODE” gombot 5 másodpercen keresztül.

Nyomja meg a „MODE” gombot, hogy a különböző működési módok között görgethessen (AUTO_MODE vagy MANUAL_MODE) vagy módosíthassa őket (ANTI-LEAKAGE és MAX PUMP ON). A görgetés alatt a kiválasztott funkció LED-je villog. Miután visszalépett AUTO_MODE-ba, az aktív funkciókat kijelöli a hozzátartozó állandóan világító LED-del. Lásd a 2. bekezdést (A funkciók leírása).

„MODE” jelzők

AUTO MODE: a szivattyú automatikus módban működik, lásd 9.2.1 bekezdés

MANUAL MODE: a szivattyú kézi módban működik, lásd a 9.2.1 bekezdést és a felhasználó dönti el, hogy mikor kapcsolja be és ki a „SET” gombbal. SET-ON bekapcsolt SET-OFF kikapcsolt.

CUT-IN: a nyomás beállítása (mindig bekapcsolt) minimális nyomás amely alatt a szivattyú aktív, 1,5 és 3,0 bar között állítható be, a gyári beállítás 1.8 bar; a szivattyú bekapcsol, ha az áramlás alacsonyabb a minimális 1,5 l/perc értéknél, amely a gyári minimum beállítás.

CUT-OUT: nyomás beállítás (kikapcsolt) a nyomás, amely fölött a szivattyú leáll, a gyárilag beállított érték a „CUT-IN” + 1 LED, de akár 3.5 bar (50.8 psi) nyomásig növelhető.

A bekapcsolásához válassza ki a funkciót a „MODE” gomb megnyomásával, amíg a hozzátartozó CUT-OUT LED villog, majd:

- 1) A funkció aktiválásához/feloldásához nyomjuk le **10 másodpercen** át a SET gombot (ezután a LED kijelző fényei kigyulladnak és a nyomásértéket mutatják).
- 2) A kívánt érték beállításához nyomjuk le a SET gombot.
- 3) A funkció kikapcsolásához, a cut-out értéket állítsuk 0-ra [bar vagy psi].
- 4) A beállítási programból való kilépéshez, nyomjuk le a MODE gombot.

MEGJEGYZÉS: a CUT-OUT értéket CSAK akkor változtathatjuk meg, ha előtte feloldottuk a funkciót, amelyhez 10 másodpercen át le kell nyomni a SET gombot. Miután 1 másodpercen át nem nyúlunk egyetlen gombhoz sem, a funkció ismét blokkolódik.

ANTI-LEAKAGE: szivárgások elleni védelem. A funkció lehet bekapcsolva vagy kikapcsolva. Gyárilag ki van kapcsolva. Amikor be van kapcsolva és a szivattyú 2 percen belül több, mint 6-szor beindul, akkor leáll és a vörös villogó LED lassan az „ALARM” jelzést jeleníti meg.

A bekapcsolásához válassza ki a funkciót a „MODE” gomb megnyomásával, amíg a hozzátartozó LED villog, majd nyomja meg a SET gombot amíg a kívánt LED bekapcsol. A kikapcsoláshoz nyomja meg a SET gombot, amíg a bekapcsolt fény OFF jelzést mutat. Miután elhárította az okát, állítsa vissza a vészjelzést, ha még megvan, a 9.2.3 bekezdés szerint.

MAX PUMP ON: maximális működési idő. A funkció lehet bekapcsolva vagy kikapcsolva. Gyárilag ki van kapcsolva. Amikor be van kapcsolva, és a szivattyú több, mint 30 percen keresztül működik, akkor ez leáll, hibajelzés nem látható.

Ezzel a funkcióval védheti a telepítést, ha véletlenül nyitva felejtette a csapot, egy tömlő eltört vagy öntözés esetén.

A bekapcsolásához válassza ki a funkciót a „MODE” gomb megnyomásával, amíg a MAX PUMP ON funkcióhoz tartozó LED villog, majd nyomja meg a SET gombot amíg az „ON” LED bekapcsol. A kikapcsoláshoz nyomja meg a SET gombot, amíg a bekapcsolt fény OFF jelzést mutat.

(C) SET kiválasztó gomb

Kiválasztható módok:

- 1) Vészjelzések visszaállítása.
- 2) MODE bekapcsolása/kikapcsolása (MAX_PUMP_ON, ANTILEAKAGE).
- 3) Paraméterek növelése a MODE-okban (CUT_IN; CUT_OUT).
- 4) Motor ON/OFF a MANUAL MODE-ban.
- 5) Szivattyú aktív/szivattyú készenléti módban van AUTO MODE-ban.

Nyomja meg a „SET” gombot a paraméterek módosításához, ha a LED bekapcsol a MODE-CUT IN vagy MODE-CUT OUT módokban, az érték a nyomást jelző LED csíkon jelenik meg. Ha megnyomja a „SET” gombot, akkor az érték növekszik. Miután beállította a kívánt értéket, lépjen ki a módosításból a „MODE” megnyomásával és állítsa vissza a LED-et MODE-AUTO-ra és SET ON bekapcsoltra.

A SET gombot használja az Anti-leakage és a Max Pump On funkciók bekapcsolására/kikapcsolására is. Miután kiválasztotta a funkciót a „MODE” gombbal, válassza ki a SET-ON gombbal, kapcsolja ki a SET-OFF gombbal.

A „MANUAL” módban a SET gomb a szivattyú be-, és kikapcsolására való, a bekapcsolt LED „ON” vagy „OFF” állásban.

Automata módban AUTO-MODE kapcsolja be az „ON” gombbal vagy állítsa készenléti módba az „OFF”-fal.

PUMP ON: ez jelzi, hogy a motor működik.

9.2 A funkciók leírása

9.2.1 ON/OFF szivattyú (AUTO MODE, MANUAL MODE)

Kikapcsolt Cut out → amikor a LED teszt után bedugja, a szivattyú 10 másodpercre bekapcsol.

Bekapcsolt Cut out → Miután bedugja, az első 3 másodpercben a LED tesztet hajtja végre (a 0 LED bekapcsolása mindig feszültség jelenlétét jelzi) és alapértelmezésben az „AUTO MODE”-ot állítja be az „ON” kémlelőfény bekapcsolásával. A szivattyú működni kezd, ha a nyomás a CUT-IN érték alatti és az áramlás alacsonyabb, mint a cut-in minimális áramlási értéke. A szivattyú működésben marad, amíg a nyomás a CUT-OUT érték alatti, amelynek elérése után az áramlástól függetlenül kikapcsol.

Ha viszont kiválasztja a „MANUAL MODE” módot, akkor a „MODE” gomb megnyomása után a szivattyú bekapcsol, ha az „ON” LED elindul, különben a „SET” gomb megnyomásával a szivattyú kikapcsol és az „OFF” LED kapcsol be.

Amikor a szivattyú működni kezd, akkor FELTÖLTÉSI módba lép.

Jól jegyezze meg: Bizonyosodjon meg afelől, hogy elvégezte a telepítési utasításokat és hogy a szivattyút teljesen feltöltötte vízzel.

9.2.2 Feltöltési fázis

Amikor a szivattyú működni kezd, akkor feltöltési módba lép, ez alatt a fázis alatt, ha nem érzel áramlást és nyomást, akkor a motort bekapcsolva tartja 3 percen keresztül, miután szárazon működést jelző vészhelyzetbe lép. Ha viszont ez idő alatt áramlást és nyomást érez, akkor elkezdődik a feltöltés és a szivattyú normálisan működni kezd.

9.2.3 Vészjelzések visszaállítása

Amikor vészjelzést észlel, akkor bekapcsolt a vörös „**VÉSZJELZÉS**” kémlelőfény. A vészjelzést a „**SET**” gomb megnyomásával lehet visszaállítani, ha a kiváltó okot elhárította, akkor visszatér a normális működés, különben a szivattyú ismét vészhelyzetbe lép.

9.2.4 Feszültség jelzés BE/KI

Ha van feszültség, akkor a 0 nyomás LED a LED sávon bekapcsol. Ha nincs, akkor ez a LED kikapcsolva marad.

Jól jegyezze meg: ha hosszabb ideig nem használja a szivattyút, akkor ajánlatos a feszültséget levenni a dugó kihúzásával.

9.2.5 Szivattyú jelzés BE/KI

Amikor a motor működésben van, akkor egy kék „**PUMP ON**” fény be kell legyen kapcsolva a működés jelzésére. Amikor a motor leáll, akkor ez a LED kikapcsol.

9.2.6 Vészjelzések jelzése

Állandó vörös fény vagy az „**ALARM**” gomb bekapcsol, amikor vészjelzés van jelen.

Szárazon működés (Dry-running): állandó vörös fény

Szivárgás (Leakage): lassú pulzálás

Max Pump ON (a szivattyú több, mint 30 percen keresztül működik): 2 villogás gyors köztük hosszabb szünettel.

Nyomja meg a „**SET**” gombot a riasztások visszaállításához.

9.2.7 Szárazon futás elleni védelem (Dry running protection)

Ha a szivattyú szárazon működik, akkor néhány másodperc elteltével (40 mp.) leáll és hibajelzés jelenik meg állandó vörös „**ALARM**” fénnel.

Az első 30 perc után, amely során a szivattyú OFF állapotban működik, 5 perces újraindítási próbálkozás történik. Ha ez sem sikeres, akkor 30 percenként történik újraindítás, legfeljebb 48-szor. Ha ezek a próbálkozások sikertelenek, akkor 24 óránként egy újraprobálkozás történik.

A készülék automatikusan kilép a szárazon futás vészjelzésből, ha áramlást és/vagy nyomást érzel.

Ha a vészjelzést visszaállítja, a 9.2.3 bekezdés szerint, akkor 40 másodpercen keresztül újraindítási próbálkozás történik.

Hárítsa el az okokat és állítsa vissza a vészjelzést a 9.2.3 bekezdés szerint.

9.2.8 Védekezés szivárgás ellen (ANTI-LEAKAGE)

A funkciót be-, vagy kikapcsolhatja, a gyári beállítás szerint ki van kapcsolva. Amikor be van kapcsolva és a szivattyú 2 percen belül több, mint 6-szor beindul, akkor leáll és a vörös villogó LED lassan az „**ALARM**” jelzést jeleníti meg.

Hárítsa el az okokat és állítsa vissza a vészjelzést a 2.3 bekezdés szerint.

A bekapcsolási eljárásra vonatkozóan lásd a Anti-leakage szakaszt.

9.2.9 Max pump on

Maximális működési idő. A funkció lehet bekapcsolva vagy kikapcsolva. Gyárilag kikapcsolt. Amikor bekapcsolja, és a szivattyú több, mint 30 percen keresztül működik, akkor ez leáll, és az ALARM-on villogni kezd.

Ezzel a funkcióval védheti a telepítést, ha véletlenül nyitva felejtette a csapot, egy tömlő eltört vagy öntözés esetén.

9.2.10 Nyomásérzékelő vészjelzés

A készülék nyomásérzékelő vészjelzésben van, ha a nyomás értéke a működési terjedelmen kívül esik (0-15 bar). A szivattyút kikapcsolja, a hibát visszaállítja, amikor a nyomásfeltételek a visszatérnek a terjedelmen belül.

9.3 Első beindítás

9.3.1 Teszt a LED-eken

Az első beindítás alatt és egyébként is az elektromos dugó behelyezése után a 20 LED-en néhány másodperces tesztet hajt végre, amelyek alatt az összes LED egymást követően bekapcsol.

9.3.2 Első feltöltés

A szivattyú automatikusan **AUTO** módban és **ON** állapotban van.

Háromféleképp viselkedhetnek:

- 1) Áramlás van, de a nyomás alacsony: kilép a feltöltési fázisból és normális működésbe kezd.
- 2) Nyomás van, de áramlás nincs: 10 másodperc után, amely alatt ez a feltétel fennáll, a szivattyú kikapcsol.
- 3) Nincs áramlás és nyomás sem: a szivattyú kikapcsol és megjelenik a szárazon futás hibajelzés kb. 3 perccel később, bekapcsolt, vörös LED jelzi SET-ALARM állapotban. Hárítsa el az okot és állítsa vissza a vészjelzést a 9.2.3 bekezdés szerint.

9.4 Normális működés kikapcsolt CUT-OUT mellett (gyárilag)

A kikapcsolt cut-out azt jelzi, hogy a következő viselkedéssel kell számolni:

- A szivattyú bekapcsol, ha van áramlás vagy nyomáshiány miatt, vagy a nyomás alacsonyabb, mint a CUT IN (10 másodperc alatt).
- a szivattyú leáll, ha a nyomás továbbra is van, de nincs áramlás 10 másodpercen keresztül.

A CUT OUT LED kikapcsoltként jelenik meg a normális működés alatt. A beállítás módosításához lásd az 9.1.1.B bekezdést.

9.5 Normális működés bekapcsolt CUT-OUT mellett

A bekapcsolt cut-out azt jelzi, hogy a következő viselkedéssel kell számolni:

- A szivattyú aktív, ha a nyomás alacsonyabb, mint a CUT IN nyomás.
- A szivattyú leáll, ha a nyomás magasabb, mint a CUT OUT nyomás.

A CUT OUT LED bekapcsoltként jelenik meg a normális működés alatt. A beállítás módosításához lásd az 9.1.1.B bekezdést.

10. ÓVINTÉZKEDÉSE

FAGYVÉDELEM: amikor a szivattyú 0°C alatti hőmérsékleten van, akkor ellenőrizze, hogy nincsenek vízmaradványok, amelyek megfagyva megrepeszthetik a műanyag részeket.

Ha a szivattyút lerakódásra hajlamos részekkel használta vagy klóros vízzel, akkor a használat után öblítse ki erős vízszugárral, hogy elkerülje a lerakódások vagy szennyeződések képződését, amelyek csökkentenék a szivattyú jellemzőit.

11. KARBANTARTÁS ÉS TISZTÍTÁS

Az elektromos szivattyú normális működés közben nem igényel semmilyen karbantartást. Mindenesetre az összes javítási és karbantartási közbeavatkozást csak akkor végezze, miután a szivattyút leválasztotta a táphálózatról. Amikor újra beindítja a szivattyút, akkor ellenőrizze, hogy rendesen visszaszerelte, hogy ne hozzon létre személyekre vagy tárgyakra veszélyes helyzeteket.

11.1 Szívószűrő tisztítása (3. ábra)

- Húzza ki az elektromos szivattyú tápellátását.
- Eressze le a szivattyút, a leeresztődugó (6) megnyitásával, előtte zárja el a felmenő oldalon a zárószelepet (ha van ilyen).
- Hajtsa ki a szűrő kamera fedelét kézzel vagy a csomagban található megfelelő szerszámmal.
- Húzza ki felülről a szűrőegységet.
- Öblítse ki a poharat folyóvízzel és tisztítsa meg a szűrőt puha kefével.
- Szerelje vissza a szűrőt a folyamatok ellenkező sorrendben végrehajtásával.

11.2 NRV szelep tisztítása (4. ábra)

- Húzza ki az elektromos szivattyú tápellátását.
- Távolítsa el az NRV dugót (5) a csomagban található szerszámmal
- Távolítsa el az NRV visszacsapó szelepet és tisztítsa meg a szennyeződésektől.
- Szerelje össze az összes részt a szétszerelési sorrenddel ellenkező sorrendben.

12. HIBAKERESÉS



Mielőtt elkezdi a hibakeresést, áramtalanítani kell a szivattyút a tápkábel dugaszának kihúzásával. Ha a tápkábel vagy maga a szivattyú bármely része megsérült, a javítást vagy cserét a gyártónak vagy a gyártó által megbízott szakszervíznek vagy olyan műszaki szakembernek kell elvégeznie aki az előzőekkel azonos képzettségű, és képes megelőzni minden veszélylehetőséget.

RENDELLENESSÉG	ELLENŐRZÉSEK (lehetséges okok)	TEENDŐK
1. A motor nem indul és nincs motorhang.	A. Ellenőrizze az elektromos csatlakozásokat. B. Ellenőrizze, hogy a motor feszültség alatt van-e. C. Ellenőrizze a védőbiztosítókat. D. Lehetséges, hogy a hővédelmi kapcsoló közbelépett.	C. Ha kiégtek, cseréni kell őket. D. Várjon kb. 20 percet, amíg a motor lehül. Ellenőrizze a megállapított okot és hárítsa el. Megj. Az esetleges azonnali hiba ismétlődés azt jelenti, hogy a motor rövidzárlatos.
2. A motor nem indul és nincs motorhang.	A. Ellenőrizze, hogy a hálózati tápfeszültség megfelel-e az adattáblán feltüntetett értéknek. B. Ellenőrizze a szivattyú és a motor esetleges megszorulását. C. Ellenőrizze, hogy a tengely ne legyen rögzítve. D. Ellenőrizze az indítókapacitátor állapotát..	B. Szüntesse meg a dugulást. C. A csomagban található szerszámmal hajtsa ki a fedelet és egy csavarhúzóval rögzítse a tengelyt. D. Cserélje a kondenzátort.
3. A motor nehezen jár.	A. Ellenőrizze, hogy a tápfeszültség nem kisebb-e a szükségesnél. B. Ellenőrizze a forgó és álló gépelemek közötti súrlódást.	B. Szüntesse meg a káros súrlódás okát.
4. A szivattyú nem szállít vizet.	A. A szivattyú nem lett megfelelően feltöltve vízzel. B. Nem elég nagy a szívócső átmérője. C. Eldugult NRV nem visszatérő szelep vagy szűrő.	A. Töltse fel a szivattyút vízzel, figyeljen oda, hogy kiereszti a levegőt a légelvezető dugó kihajtásával. B. Cserélje a szívócsövet nagyobb átmérőjűre. C. Tisztítsa meg a szűrőt és adott esetben az NRV-t is.
5. A szivattyú nem telítődik vízzel.	A. Levegő elszívás az elszívó tömlőn keresztül.	A. Hárítsa el a jelenséget, ellenőrizze a csatlakozások és a beszívó tömlő tömítését és ismétlje meg a feltöltési folyamatot.

	B. A szívócső ellenkező dőlésszöge (a szivattyú felé lejt) légszakok kialakulásának kedvez.	B. Javítsa a szívócső dőlésszögét.
6. A szivattyúnak nem elégséges a szállítási teljesítménye.	A. A beszívó tömlő eldugult. B. A járókerék kopott vagy eltömődött. C. Elégtelen átmérőjű szívó csővezeték.	A. Tisztítsa meg a beszívó tömlőt. B. Távolítsa el a dugulást vagy cserélje a kopott alkatrészeket. C. Cserélje a szívócsövet nagyobb átmérőjűvel.
7. Beremeg a szivattyú miközben zajosan működik.	A. Ellenőrizze, hogy a szivattyú és a csővezetékek megfelelően rögzítettek. B. A szivattyú leürül vagyis a vízigény nagyobb, mint amit a szivattyú képes szolgáltatni. C. A szivattyú az adattábláján megadott értékeket meghaladó módon dolgozik..	A. Gondosabban rögzítse a meglazult részeket. B. Csökkentse a szívási magasságot vagy ellenőrizze a töltési veszteséget. C. Hasznos lehet a nyomóoldalon lehatárolni a szállítási teljesítményt.

13. GARANCIA



Bármilyen előzetes engedély nélküli módosítás felmenti a gyártót minden felelősség alól. A javításoknál használt összes pótalkatrész legyen eredeti és az összes kiegészítő legyen a gyártó által engedélyezett, hogy a gépek valamint a berendezések maximális biztonsága, amelyekre felszerelik, garantálható legyen.

Ezt a terméket a törvény által előírt garancia védi (az Európai Közösség országaiban 24 hónap a vásárlás dátumától kezdődően), amely az összes gyártási hibára és használt anyag hibájára vonatkozik.

A garanciás terméket esetleg ki is cseréljük egy tökéletesen működő másik termékre vagy ingyenesen megjavítjuk, ha a következő feltételek adottak:

- a terméket helyesen és az utasításoknak megfelelően működteti és nem próbálja meg megjavítani sem a vásárló sem harmadik személy.
- A terméket a vásárlás helyén adja át, a vásárlást igazoló nyugtával (áfás számla vagy nyugta) és az észlelt hiba leírásával együtt.

A forgórész és a részek kopórészek, ezek nem tartoznak a garancia alá. A garanciás közbeavatkozás nem hosszabbítja meg az eredeti garanciás időszakot.

TURINYS

1. NAUDOJIMO SRITIS	106
2. SIURBIMUI TINKAMI VANDENYS	107
3. TECHNINIAI DUOMENYS IR NAUDOJIMO APRIBOJIMAI	107
4. VALDYMAS.....	107
4.1 Laikymas	107
4.2 Transportavimas.....	107
4.3 Svoris ir matmenys.....	107
5. ĮSPĖJIMAI	107
6. ĮRENGIMAS	108
7. ELEKTROS ĮRANGOS PRIJUNGIMAS	108
8. PALEIDIMAS.....	108
9. ELEKTRONINĖ VALDYMO SAŠAJA	109
9.1 Savybių apžvalga	109
9.1.1 Ekranu aprašymas:.....	109
9.2 Funkcijų aprašymas	110
9.2.1 Siurblys įjungtas / išjungtas (AUTO MODE, MANUAL MODE).....	110
9.2.2 Parengiamasis etapas	111
9.2.3 Įspėjimo signalų atstatymas.....	111
9.2.4 Įjungtos / išjungtos įtampos rodiklis	111
9.2.5 Įjungto / išjungto siurblio rodiklis	111
9.2.6 Įspėjimo signalų rodiklis.....	111
9.2.7 Apsauga nuo veikimo sausai (Dry running protection)	111
9.2.8 Apsauga nuo nuotėkio (ANTI-LEAKAGE).....	111
9.2.9 Apsauga nuo per ilgo veikimo „MAX PUMP ON“	111
9.2.10 Slėgio jutiklio įspėjimo signalas.....	111
9.3 Pirmasis įjungimas	111
9.3.1 LED lempučių patikrinimas	111
9.3.2 Pirmasis parengiamasis etapas	111
9.4 Įprastas veikimas, kai išjungta CUT-OUT funkcija (pagal gamyklinius nustatymus).....	111
9.5 Įprastas veikimas, kai įjungta CUT-OUT funkcija	111
10. ATSARGUMO PRIEMONĖS.....	112
11. PRIEŽIŪRA IR VALYMAS	112
11.1 Įsiurbimo filtro valymas	112
11.2 Atbulinio vožtuvo valymas	112
12. GEDIMŲ PAIEŠKA	112
13. GARANTIJA.....	113

ĮSPĖJIMAI



Prieš įrengdami siurbį, atidžiai perskaitykite visus dokumentus.



Prieš imdamiesi bet kokių veiksmų, ištraukite kištuką iš elektros lizdo. Siurblys jokia būdu negali veikti be vandens sausai.



Apsaugokite siurbį nuo atmosferinių reiškinių poveikio.



Apsauga nuo per didelės apkrovos. Siurblyje įrengta šiluminė variklio apsauga. Tuo atveju, jei variklis per daug įkaistų, variklio apsauga automatiškai išjungtų siurbį. Variklis atvėsta per maždaug 15-20 min. ir vėl automatiškai įsijungia. Suveikus variklio apsaugai, būtina surasti ir pašalinti to priežastį. Skaitykite skyrių „Gedimų paieška“.

1. NAUDOJIMO SRITIS

Šie išcentriniai siurbiai yra gerų siurbimo savybių, net pumpuojant vandenį su dujų priemaišom. Ypač tinka vandens tiekimui ir slėgio didinimui sodybose. Taip pat tinka naudoti nedidelėse žemės ūkiuose: daržuose ir soduose, avarinėse buitinėse situacijose ir apskritai mėgėjiškai veiklai. Dėl savo kompaktiškos ir patogios formos taip pat gali būti naudojami kaip kilnojami siurbiai avarinių situacijų atvejais, pavyzdžiui, paimti vandeniui iš rezervuarų ar upių.

Jei gaminys komplektuojamas su „Wifi“ sistema, žiūrėti trumpąsias instrukcijas.



Šie siurbiai negali būti naudojami baseinuose, tvenkiniuose ir kituose vandens telkiniuose tuomet, kai juose yra žmonių, arba angliavandeniliams (benzinui, dyzelinui, degiosioms alyvoms, tirpikliams ir pan.) persiurbti vadovaujantis galiojančių nelaimingų atsitikimų prevencijos taisyklių reikalavimais. Pasinaudojus rekomenduojama išvalyti. Žiūrėti skyrių „Priežiūra ir valymas“.

2. SIURBIMUI TINKAMI VANDENYS

Švarus, be kietų ir abrazyvinių dalelių, chemiškai neutralus.

Švarūs vandenys	•
Lietaus vanduo (filtruota)	•
Nekenksmingi nutekamieji vandenys	○
Purvini vandenys	○
Fontanų vanduo (filtruota)	•
Upių ar ežerų vanduo (filtruota)	•
Geriamas vanduo	•

1 lentelė.

- Tinkami siurbimui vandenys
- Netinkami siurbimui vandenys

3. TECHNINIAI DUOMENYS IR NAUDOJIMO APRIBOJIMAI

- **Maitinimo įtampa: 220-240V**, žiūrėkite elektrinių komponentų duomenų plokštelėje.
- **Išjungimo vėlinimo linijiniai lydiei saugikliai (220-240Vversija):** orientacinės vertės (išreikštos amperais).
- **Laikymo temperatūra:** -10°C +40°C.

Modelis	Linijiniai lydiei saugikliai 220-240V 50Hz
P1= 850	4
P1= 1100	6
P1= 640	4
P1= 920	6

2 lentelė.

	Modelis	P1=850	P1=1100	P1=640	P1=920
Elektros duomenys	P1 Absorbuota nominali galia [W]	850	1100	640	920
	P2 [W]	600	750	380	560
	Tinklo įtampa [V]	1~220-240 AC			
	Tinklo dažnis [Hz]	50			
	Srovė [A]	3.88	4.58	3.10	4.20
	Kondensatorius [µF]	12.5	16	16	12.5
	Kondensatorius [Vc]	450			
Hidrauliniai duomenys	Didž. našumas [l/h]	3180	3750	3600	4800
	Didž. kėlimo aukštis [m]	43	45	32	40
	Didž. kėlimo slėgis [bar]	4.3	4.5	3.2	4.0
	Didž. slėgis (bar)	6			
	Didž. įsiurbimo gylis (m/min.)	8m / <3min		6m / <3min	
Galimas naudojimas	Maitinimo kabelio ilgis [m]	1.5			
	Kabelio tipas	H07 RNF			
	Variklio apsaugos laipsnis	IP X4			
	Izoliacinė klasė	F			
	Skysčių temperatūros ribos [°C] pagal EN 60335-2-41 standartą dėl buitinių prietaisų	0 °C / +35 °C			
	Didž. dalelių matmenys	švarus vanduo			
	Didž. aplinkos temperatūra [°C]	+40 °C			
Svoris	Hidraulinės dalies dydis DNM GAS	1" M			
	Apytikslis neto (grynasis) / bruto (bendras) svoris [kg]	9.6/11.8	10.3/12.5	10.1/12.1	10.9/12.9

3 lentelė.



Siurblys gali neatlaikyti vamzdžių svorio, todėl jų svoris turėtų būti palaikomas kitaip.

4. VALDYMAS

4.1 Laikymas

Visi siurbLIAI turi būti laikomi uždaroje sausose patalpose, kuriose, jeigu įmanoma, būtų palaikomas pastovus drėgnumo lygis ir kuriose nėra vibracijos bei dulkių. SiurbLIAI pristatomi originalioje pakuotėje ir turi būti jose laikomi iki įrengimo pradžios.

4.2 Transportavimas

Venkite smūgių ir įrenginio susidūrimo su kitais daiktais.

4.3 Svoris ir matmenys

Ant pakuotės priklijuotoje lentelėje nurodytas bendras elektrinio siurblio svoris ir jo matmenys.

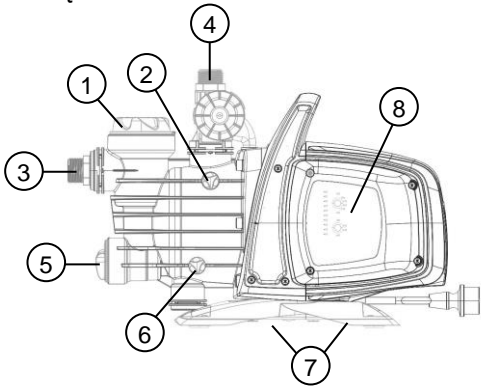
5. ĮSPĖJIMAI



Siurblių jokia būdu negalima perkelti iš vienos vietos į kitą, kelti į viršų ar leisti jiems veikti pakabinius juos naudojant maitinimo kabelį, naudokite tam skirtą rankeną.

- Siurblys niekuomet neturi veikti tuščiaja eiga („sausai“).
- Rekomenduojama atskuti / užsukti oro / skysčio išleidimo dangčius (2 ir 6) nenaudojant didelės jėgos.

6. ĮRENGIMAS



1. Priešfiltris
2. Oro išleidimo angos dangtelis
3. Reguluojama įsiurbimo vamzdžio jungtis
4. Tiekimo vamzdžio jungtis
5. Integruotas atbulinis vožtuvas
6. Išleidimo angos dangtelis
7. Antivibracinės guminės kojelės
8. Elektroninė valdymo sąsaja

Elektrinis siurblys turi būti įrengiamas nuo blogo oro sąlygų apsaugotoje vietoje, kur aplinkos temperatūra neviršija 40 °C.

Siurblys turi antivibracines kojeles, tačiau įrengiant siurblį nuolatinėje vietoje galima jas nuimti ir pritvirtinti siurblį prie atraminio pagrindo (7). Pasirūpinkite, kad vamzdžiai per daug nespautų siurblio angų (3) ir (4), kad šis nebūtų deformuotas ar nesulūžtų.

Rekomenduojama siurblį pastatyti kuo arčiau siurbiamo skysčio.

SiurbLIAI turi būti montuojami tik horizontalioje padėtyje.

Vamzdžių vidinis skersmuo neturi būti mažesnis negu elektros siurblio angų, siurblio įsiurbimo sistemoje įrengtas filtras (1) ir atbulinis vožtuvas (5).

Įsiurbimo vietoje turi būti pajungtas atbulinis vožtuvas. Siurbimo gyliui esant virš 4 metrų, o taip esant dideliems horizontaliems atstumams, rekomenduojamas didesnis siurbimo žarnos skersmuo negu siurblio angos. Norint išvengti oro tarpų, siurblio žarna turi būti su kylančiu nuolydžiu siurblio link. 2 pav.

Jeigu įsiurbimo vamzdis (žarna) yra guminis arba pagamintas iš kitos lanksčios medžiagos, visada patikrinkite, ar jo sienelės sustiprintos, kad nesusitrauktų dėl įsiurbiant galinčių susidaryti tuščių tarpų.

Įrengiant siurblį nuolatinėje vietoje, rekomenduojama įrengti uždaromuosius vožtuvus įsiurbimo ir tiekimo vamzdžiams. Taip galėsite uždaryti siurblio įsiurbimo ir (arba) tiekimo linijas techninės priežiūros ir valymo darbų metu bei tuomet, kai siurblys nenaudojamas.

Siurblys turi sukamąją įsiurbimo angą, kad jį būtų lengviau įrengti (3) ir (4).

Jeigu norite naudoti lanksčius vamzdžius (žarnas), prireikus pasinaudokite lankstu (1 pav.) ir sodininkystės rinkiniu, į kurį įeina PE vamzdis ir jungčių su antgaliu rinkinys, kurie nepridėti, tačiau juos galima įsigyti atskirai.

Jeigu yra labai mažų nešvarumų, rekomenduojama naudoti ne tik integruotą filtrą (1), bet ir filtrą siurblio įsiurbimo angoje, įrengtą įsiurbimo vamzdyje.

- Nejunkite variklio per dažnai, griežtai rekomenduojama nejungti jo dažniau kaip 20 kartų per valandą.



Įsiurbimo vamzdžio skersmuo turi būti **didesnis arba tokio pat dydžio kaip elektros siurblio angos skersmuo, žr. 3 lentelę.**

7. ELEKTROS ĮRANGOS PRIJUNGIMAS



Tinklo įtampa turi atitikti įtampą nurodytą ant gamyklinės variklio duomenų plokštelės. Variklis privalo būti įžemintas. **Vadovaukitės techninių duomenų lentelėje ir šio vadovo 3 lentelėje pateiktais parametrais.**

Siurblio maitinimo kabelio ilgis riboja įrengimo atstumą, jeigu reiktų ilgintuvo, įsitikinkite, kad jis yra tokio paties tipo (pvz., H05 RN-F arba H07 RN-F, priklausomai nuo įrengimo), žr. 3 lentelę.

8. PALEIDIMAS



Įjunkite siurblį tik pilnai pripildę jį vandens (maždaug 4 litrai), kuomet per oro išleidimo angą pasišalina oras (2).

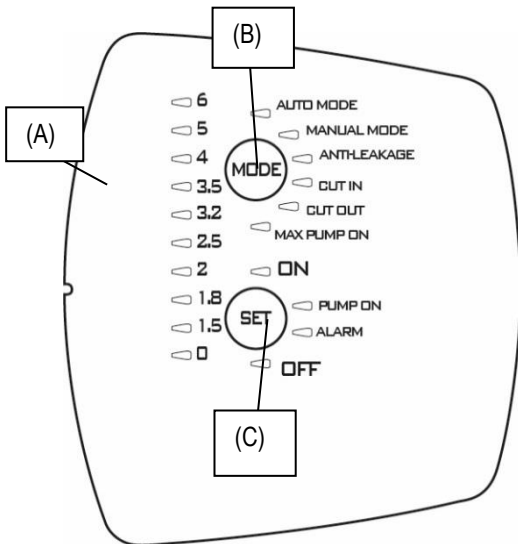
Jeigu vandens šaltinis išsenka, nedelsdami ištraukite kištuką iš elektros lizdo išjungdami siurblį. Pasirūpinkite, kad siurblys nedirbtų sausai be vandens.

1. Prieš įjungdami siurblį, patikrinkite, ar siurblys tinkamai paruoštas: pilnai jį pripildykite švari vandeniu per tam skirtą angą, prieš tai rankomis ar specialiu pridėtu įrankiu nuėmę skaidraus filtro pildymo angos dangtelį (1). Tuo pat metu atsukite ir oro išleidimo dangtelį (2), kad išeitų oras. Atlikus šį veiksmą, užpildymo angą sandariai uždarykite. **Sauso paleidimo atveju yra nepataisomai sugadinami mech. sandarinimai.**
2. Paskui pildymo angos dangtelį reikės kruopščiai užsukti (1), taip pat ir oro išleidimo angos dangtelį (2).
3. Įkiškite maitinimo kabelio kištuką į 220-240V elektros lizdą. **Dėmesio!** Siurblio variklis iš karto įsijungs, vanduo pradės tekėti ne vėliau kaip po 3 minučių, tai priklauso nuo vandens lygio gylio šulinyje ar cisternoje.
4. Siurblys toliau veiks ir teks vandenį. **Dėmesio!** Pasirūpinkite, kad siurblys nedirbtų sausai be vandens.
5. Norėdami išjungti siurblį, ištraukite maitinimo kabelio kištuką iš elektros lizdo.



Kilus problemų pripildant, kartokite, kol siurbiamame sraute neliks oro.

9. ELEKTRONINĖ VALDYMO SAŠAJA



9.1 Savybių

Aprašymas	Parametrai
Plokštės įtampa, dažnis	1x220-240V, 50/60 Hz
Įjungtos / išjungtos įtampos rodiklis	●
Įjungto / išjungto variklio rodiklis	●
Įspėjimo signalų rodiklis	●
Slėgio rodiklis	●
Mode rodiklis	●
Auto Mode (Automatinis režimas)	●
Manual Mode (Rankinis režimas)	○
Apsauga nuo veikimo sausai	●
Apsauga nuo nuotėkio	○
Apsauga Max pump on	○ (30 min.)
Cut-in slėgis	○Reguliuojamas (1,5–3,0 bar)
Cut-out slėgis	○ (Cut-in + 1 bar)
Automatinis parengiamasis etapas	●
Parinkties mygtukai	●

● = Nustatyti; ○ = Pasirenkami

9.1.1 Ekranų aprašymas:

(A) Slėgio LED rodikliai

Naudojama 10 LED lemputių 0–6 bar slėgiui rodyti. Kai sistemoje slėgis keičiasi, LED lemputės užsidega arba atitinkamai užgesa.

Funkcija	Ekranų konfigūracija	Nustatymai	Įspėjimo signalų atstatymas
Auto Mode		ON: įjungia OFF: išjungia	
Manual mode		ON: įjungia OFF: išjungia	
Anti-leakage		ON: įjungta OFF: išjungta	Paspauskite SET
Cut in		Didina / Mažina	
Cut out		Didina / Mažina OFF: išjungta	
Max pump on		ON: įjungta OFF: išjungta	Paspauskite SET

(B) „MODE“ parinkties mygtukas

Galima pasirinkti šiuos režimus:

- | | |
|-------------------|-----------------|
| 1) AUTO_MODE; | 4) CUT_IN; |
| 2) MANUAL_MODE; | 5) CUT_OUT; |
| 3) ANTI LEACKAGE; | 6) MAX_PUMP_ON; |

Kad galėtumėte pasirinkti „MODE“ funkcijas, spauskite mygtuką „MODE“ 5 sekundes.

Paspauskite mygtuką „MODE“, kad galėtumėte pasirinkti skirtingus veikimo režimus (AUTO_MODE arba MANUAL_MODE) arba pakeisti parametrus (CUT IN ir CUT OUT), arba įjungti tam tikras funkcijas (ANTI-LEAKAGE ir MAX PUMP ON). Nustatant žybsi pasirinktos funkcijos LED lemputė. Sugrįžus į AUTO_MODE režimą, atitinkamos įjungtų funkcijų LED lemputės tolygiai šviečia. Žiūrėti 2 skyrių.

„MODE“ rodikliai

AUTO MODE (automatinis režimas): siurblys veikia automatiškai režimu (žiūrėti 9.2.1).

MANUAL MODE (rankinis režimas): siurblys veikia rankiniu režimu (žiūrėti 9.2.1). Naudotojas gali pats nuspręsti, kada jį įjungti ar išjungti, pasinaudodamas mygtuku **SET (nustatymai):** SET-ON – įjungtas, SET-OFF – išjungtas.

CUT-IN (slėgis, kurio neviršijus siurblys įsijungia): nustatytas mažiausias slėgis (šis nustatymas visada įjungtas), kurio neviršijus siurblys įsijungia, galima nustatyti 1,5–3,0 bar slėgį, gamykliniai nustatymai: 1.8 bar; siurblys įsijungia ir tuo atveju, kai vandens srautas nesiekia mažiausios gamykloje nustatytos 1,5 l/min. vertės.

CUT-OUT (slėgis, kurį viršijus siurblys išsijungia): nustatytas slėgis (išjungtas) kurį viršijus siurblys sustoja, gamykliniai nustatymai: CUT-IN + 1 LED, bet galima padidinti iki 3.5 bar (50.8 psi).

Norėdami įjungti šią funkciją, spauskite mygtuką „MODE“, kol pradės žybsėti atitinkama CUT-OUT lemputė, paskui:

- 1) laikykite nuspaudę mygtuką SET **10 sekundžių**, norėdami įjungti funkciją (įsijungs slėgio verčių šviesos diodai),
- 2) paspauskite mygtuką SET, norėdami nustatyti reikiamą vertę,
- 3) norėdami išjungti funkciją, nustatykite „cut-out“ vertę į 0 [barų ar psi],
- 4) išeikite iš parinkčių, paspausdami mygtuką MODE.

PASTABA: „CUT-OUT“ vertę galima keisti TIK įjungus funkciją paspaudžiant ir laikant nuspaudus mygtuką SET 10 sekundžių. Jei per 1 sekundę nepaspaudžiamas joks mygtukas, funkcija vėl išsijungia.

ANTI-LEAKAGE: apsauga nuo nuotėkio. Funkciją galima įjungti arba išjungti. Kai funkcija įjungta, jeigu siurblys paleidžiamas daugiau kaip 6 kartus per 2 minutes, jis sustabdomas ir rodoma klaida (pradeda lėtai raudonai žybsėti „ALARM“ lemputė).

Norėdami įjungti šią funkciją, spauskite MODE, kol pradės žybsėti atitinkama LED lemputė, paskui spauskite SET, kol įsijungs lemputė ON. Norėdami išjungti funkciją, spauskite SET, kol užsidegs lemputė OFF.

Pašalinę klaidos priežastį atstatykite įspėjimo signalą, jeigu vis dar rodoma klaida (žiūrėti 9.2.3).

MAX PUMP ON: ilgiausias veikimo laikas. Funkciją galima įjungti arba išjungti. Pagal gamyklinius nustatymus ji yra išjungta. Kai funkcija įjungta, jeigu siurblys veikia ilgiau kaip 30 minučių, jis tiesiog sustabdomas, klaida nerodoma.

Ši funkcija naudojama, norint apsaugoti įrenginį, atsitiktinai pamiršus užsukti čiaupą, sugedus vamzdžiui ar naudojant siurblių drėkinimui. Norėdami įjungti šią funkciją, spauskite MODE, kol pradės žybsėti atitinkama funkcijos MAX PUMP ON lemputė, paskui spauskite SET, kol įsijungs lemputė ON. Norėdami išjungti funkciją, spauskite SET, kol užsidegs lemputė OFF.

(C) Nustatymų mygtukas „SET“

Galimi nustatymai:

- 1) Atstato įspėjimo signalus;
- 2) Įjungia / išjungia pasirinkus MODE (MAX_PUMP_ON, ANTILEAKAGE);
- 3) didina parametrus pasirinkus MODE (CUT_IN; CUT_OUT);
- 4) įjungia / išjungia variklį pasirinkus MANUAL MODE;
- 5) įjungia / perjungia į budėjimo režimą pasirinkus AUTO MODE.

Spauskite SET, norėdami pakeisti parametrus; tuo atveju, jei dega MODE-CUT ON arba MODE-CUT OUT lemputė, vertė bus rodoma slėgį rodančių LED lempučių juostoje. Paspaudus SET vertė bus padidinta. Nustatę norimą vertę ir norėdami išeiti iš nustatymų, spauskite **MODE** ir atlikite veiksmus, kad užsidegtų MODE-AUTO ir SET ON lemputė.

Spauskite SET, jei norite įjungti / išjungti „Anti-leakage“ ir „Max pump On“ funkcijas. Pasirinkę norimą funkciją mygtuku „MODE“, įjunkite ją nustatydami SET-ON; norėdami išjungti funkciją, nustatykite SET-OFF.

Siurbliui veikiant „MANUAL“ (rankiniu) režimu, SET mygtuku galite įjungti arba išjungti siurblių (kai užsidega lemputė ON arba OFF). Siurbliui veikiant „AUTO-MODE“ (automatiškai) režimu, SET mygtuku galite įjungti „ON“ arba perjungti į budėjimo režimą „OFF“. **PUMP ON:** rodo, kad variklis veikia.

9.2 Funkcijų aprašymas**9.2.1 Siurblys įjungtas / išjungtas (AUTO MODE, MANUAL MODE)**

Kai „Cut out“ funkcija išjungta į jėgą išsijungia į elektros lizdą, siurblys, patikrinęs LED lemputes, įsijungia per 10 sekundžių.

Kai „Cut out“ funkcija įjungta į jėgą išsijungia į elektros lizdą, siurblys pirmas 3 sekundes tikrina LED lemputes (deganti LED lemputė 0 rodo, kad įtampa yra) ir automatiškai nustato „AUTO MODE“ režimą, užsidega „ON“ lemputė. Siurblys pradeda veikti, jeigu slėgis mažesnis už CUT-IN vertę, o srautas – mažesnis už mažiausią „cut-in“ srautą. Siurblys veikia tol, kol slėgis mažesnis už CUT-OUT vertę, kurią pasiekęs automatiškai išsijungia, nepriklausomai nuo srauto.

Jeigu pasirinktas „MANUAL MODE“ (rankinis) režimas, paspaudus mygtuką „MODE“, siurblys įsijungia, jeigu dega lemputė „ON“, priešingu atveju paspaudus „SET“, siurblys išsijungia ir užsidega lemputė „OFF“.

Kai siurblys pradeda veikti, iš pradžių veikia PARENGIAMUOJU režimu.

Pastaba: Įsitinkite, kad laikėtės visų įrengimo instrukcijų, ir kad siurblys pilnai pripildytas vandens.

9.2.2 Parengiamasis etapas

Kai siurblys pradeda veikti, iš pradžių veikia parengiamuoju režimu; jeigu šiuo etapu nebus srauto ir slėgio, bet variklis bus įjungtas 3 minutes, joms praėjus įsijungs įspėjimasis signalas, kad siurblys veikia sausai be vandens. Jeigu per minėtą laiką siurblys pasieks vandens srautas ar bus tinkamas slėgis, parengiamasis etapas bus baigtas ir siurblys pradės veikti įprastai.

9.2.3 Įspėjimo signalų atstatymas

Kai nustatoma klaida, užsidega raudona „ALARM“ lemputė. Įspėjimo signalą galima atstatyti vieną kartą paspaudus mygtuką; jeigu klaidos priežastis pašalinta, siurblys veikia įprastai, jeigu ne – vėl rodomas įspėjimo signalas.

9.2.4 Įjungtos / išjungtos įtampos rodiklis

Jeigu yra įtampa, dega 0 slėgio LED lemputė LED juostoje. Jeigu įtampos nėra, ši LED lemputė nedega.

Pastaba: ilgai nenaudojant siurblio rekomenduojama ištraukti kištuką iš elektros lizdo, kad nebūtų įtampos.

9.2.5 Įjungto / išjungto siurblio rodiklis

Kai variklis veikia, „PUMP ON“ dega mėlynai ir rodo, kad siurblys veikia. Kai variklis sustoja, ši LED lemputė išsijungia.

9.2.6 Įspėjimo signalų rodiklis

Kai nustatoma klaida, „ALARM“ lemputė tolygiai raudonai šviečia arba žybsi.

Veikimas sausai be vandens („Dry-running“): lemputė tolygiai šviečia raudonai.

Nuotėkis („Leakage“): lėtai žybsi.

„Max Pump ON“ (siurblys veikia daugiau kaip 30 min.): 2 staigūs žybtelėjimai, atskirti ilgesne pauze.

Paspauskite „SET“ („Nustatymai“), kad atstatytumėte įspėjimo signalus į pradinę padėtį

9.2.7 Apsauga nuo veikimo sausai (Dry running protection)

Jeigu siurblys veikia sausai be vandens, po kelių sekundžių (40 sekundžių) jis sustabdomas ir rodoma klaida (tolygiai raudonai dega „ALARM“ lemputė).

Praėjus pirmosioms 30 min., kai siurblys neveikia, jį vėl bandoma paleisti, 5 min. įjungiant parengiamąjį režimą. Jeigu ir šį kartą siurblys nepradeda įprastai veikti, jį vėl bandoma paleisti praėjus 30 min., kartojant šį procesą ne daugiau kaip 48 kartus. Jeigu visi šie bandymai nesėkmingi, siurblys vėl bandoma paleisti kas 24 val.

Jeigu atsiranda vandens srautas ir (arba) slėgis, įspėjimo signalas, jog įrenginys veikia sausai, automatiškai išsijungia.

Jeigu įspėjimo signalas atstatomas (žr. 9.2.3), naujas bandymas paleisti siurblys trunka 40 sekundžių.

Pašalinkite klaidos priežastis ir atstatykite įspėjimo signalą (žr. 9.2.3).

9.2.8 Apsauga nuo nuotėkio (ANTI-LEAKAGE)

Funkciją galima įjungti arba išjungti, pagal gamyklinius nustatymus ji yra išjungta. Kai funkcija įjungta, jeigu siurblys paleidžiamas daugiau kaip 6 kartus per 2 minutes, jis sustabdomas ir rodoma klaida (pradeda lėtai raudonai žybsėti „ALARM“ lemputė). Pašalinkite klaidos priežastis ir atstatykite įspėjimo signalą (žr. 9.2.3). Norint įjungti funkciją, žiūrėti Anti-leakage.

9.2.9 Apsauga nuo per ilgo veikimo „MAX PUMP ON“

Ilgiausias veikimo laikas. Funkciją galima įjungti arba išjungti. Pagal gamyklinius nustatymus ji yra išjungta. Kai funkcija įjungta, jeigu siurblys veikia ilgiau kaip 30 minučių, jis sustabdomas, pradeda žybsėti „ALARM“ lemputė.

Ši funkcija naudojama, norint apsaugoti įrenginį, atsitiktinai pamiršus užsukti čiaupą, sugedus vamzdžiui ar naudojant siurblys drėkinimui.

9.2.10 Slėgio jutiklio įspėjimo signalas

Slėgio jutiklio įspėjimo signalas rodomas tada, kai slėgio vertė neatitinka galimos vertės (0–15 bar). Siurblys išjungiamas, o klaida neberodoma, kai tik slėgio vertė vėl tinkama.

9.3 Pirmasis įjungimas

9.3.1 LED lempučių patikrinimas

Pirmą kartą įjungus įrenginį ar bet kuriuo atveju įkišus kištuką į elektros lizdą, atliekamas 20 LED lempučių patikrinimas, kuris trunka kelias sekundes, per kurias iš eilės uždegamos visos LED lemputės.

9.3.2 Pirmasis parengiamasis etapas

Siurblys automatiškai veikia „AUTO“ (automatiniu) režimu, dega lemputė SET-ON.

Gali būti, kad:

- 1) siurblys pasiekia vandens srautas, tačiau yra žemas slėgis: siurblys užbaigia parengiamąjį etapą ir pradeda veikti įprastai;
- 2) slėgis yra geras, tačiau siurblio nepasiekia vandens srautas: praėjus 10 sekundžių, kai siurblys taip veikia, jis išsijungia;
- 3) siurblio nepasiekia vandens srautas ir yra netinkamas slėgis: siurblys išsijungia ir po maždaug 3 minučių užsidega įspėjimo signalas, jog siurblys veikia sausai (raudonai dega SET-ALARM lemputė). Pašalinkite klaidos priežastis ir atstatykite įspėjimo signalą (žr. 9.2.3).

9.4 Įprastas veikimas, kai išjungta CUT-OUT funkcija (pagal gamyklinius nustatymus)

Kai išjungta „Cut-out“ funkcija, gali būti, kad:

- siurblys pradeda veikti, jei yra vandens srautas arba nėra slėgio, slėgis mažesnis nei nustatyta CUT IN vertė (per 10 ms);
- siurblys sustabdomas, jeigu yra slėgis, bet nėra tinkamo vandens srauto (10 s.).

Siurbliui veikiant įprastai, CUT OUT lemputė nešviečia. Norint pakeisti nustatymus, žiūrėti 9.1.1.B.

9.5 Įprastas veikimas, kai įjungta CUT-OUT funkcija

Kai įjungta „Cut-out“ funkcija, gali būti, kad:

- Siurblys pradeda veikti, jei slėgis mažesnis nei nustatyta CUT IN slėgio vertė.

- Siurblys sustabdomas, jeigu slėgis viršija nustatytą CUT OUT slėgio vertę. Siurbliui veikiant įprastai, šviečia CUT OUT lemputė. Norint pakeisti nustatymus, žiūrėti 9.1.1.B.

10. ATSARGUMO PRIEMONĖS

UŽŠALIMO PAVOJUS: kai siurblys nenaudojamas esant žemesnei kaip 0 °C temperatūrai, būtina įsitikinti, kad neliko vandens likučių, kuriems sustingus į ledą, gali trūkti plastikinės dalys.

Jeigu siurblys naudotas su nusėdančiomis medžiagomis arba chloruotu vandeniu, panaudoję jį praplaukite stipria vandens srove, kad nesusidarytų nuosėdos ar nuogulos, kurios turėtų neigiamos įtakos siurblio techninėms savybėms.

11. PRIEŽIŪRA IR VALYMAS

Normaliomis sąlygomis naudojamam siurbliui nereikia jokios priežiūros. Bet kuriuo atveju priežiūros ir taisymo darbai gali būti atliekami tik išjungus siurbį iš maitinimo tinklo. Prieš vėl įjungdami siurbį, įsitikinkite, kad jis buvo tinkamai sumontuotas ir nekelia pavojaus daiktams ar žmonėms.

11.1 Įsiurbimo filtro valymas (3 pav.)

- Išjunkite siurbį iš elektros maitinimo šaltinio.
- Pašalinkite vandenį, atidarydami išleidimo angos dangtelį (6), prieš tai uždarę sklendes (jeigu įrengtos).
- Rankomis arba specialiu pridėtu įrankiu atsukite filtro bloko dangtelį.
- Iš viršaus ištraukite filtrą.
- Praskalaukite stiklinę srūvančiu vandeniu ir išvalykite filtrą minkštu šepetėliu.
- Sumontuokite filtrą atlikdami aprašytus veiksmus atvirkštine tvarka.

11.2 Atbulinio vožtuvo valymas (4 pav.)

- Išjunkite siurbį iš elektros maitinimo šaltinio.
- Naudodamiesi specialiu pridėtu įrankiu, nuimkite atbulinio vožtuvo dangtelį (5).
- Išimkite atbulinį vožtuvą ir nuvalykite esamus nešvarumus.
- Surinkite dalis atlikdami aprašytus veiksmus atvirkštine tvarka.

12. GEDIMŲ PAIEŠKA



Prieš pradėdami ieškoti gedimų, būtina nutraukti elektros tiekimą siurbliui (ištraukite kištuką iš elektros lizdo). Jeigu maitinimo kabelis arba kuri nors siurblio elektrinė dalis yra pažeista, taisymo ar keitimo darbus privalo atlikti Gamintojas arba jo techninės priežiūros tarnyba, arba atitinkamą kvalifikaciją turintis asmuo, kad būtų išvengta bet kokios rizikos.

PROBLEMOS	PATIKRINIMAS (galimos priežastys)	SPRENDIMO BŪDAS
1. Siurblys nepasileidžia ir nesigirdi jokių triukšmų.	A. Patikrinti elektrinius sujungimus. B. Patikrinti ar užmaitintas variklis. C. Patikrinkite saugiklius. D. Galimai suveikė šiluminė apsauga.	C. Jeigu saugikliai sudegę, pakeiskite juos. D. Palaukite maždaug 20 min., kol atvės variklis. Patikrinkite ir pašalinkite tai lėmusią priežastį. Jeigu gedimas pasikartoja nedelsiant, tai reiškia, kad variklyje yra trumpas jungimas..
2. Siurblys nepasileidžia, bet girdisi triukšmai.	A. Patikrinkite ar tinklo įtampa sutampa su nurodyta ant gamyklinės siurblio duomenų lentelės. B. Patikrinkite galimus užblokavimus siurblyje arba variklyje. C. Patikrinkite, ar neužstrigo velenas. D. Patikrinkite kondensatoriaus būklę.	B. Pašalinkite užblokavimus. C. Naudodamiesi specialiu pridėtu įrankiu, atsukite dangtelį ir atsuktuvu atblokuokite veleną. D. Pakeiskite kondensatorių.
3. Sunkiai sukasi variklis.	A. Patikrinkite įtampą, kuri gali būti nepakankama. B. Patikrinkite ar judančios dalys nesiliečia su nejudančiomis.	B. Pašalinkite lietimosi priežastį.
4. Siurblys nesiurbia.	A. Siurblys neteisingai užpildytas. B. Nepakankamas pasiurbimo vamzdžio diametras. C. Užsikimšo atbulinis vožtuvas arba filtras.	A. Pripildykite siurbį vandens ir paruoškite jį veikimui, pasirūpindami, kad atsukus oro išleidimo dangtelį išeitų oras. B. Pakeiskite pasiurbimo vamzdį didesnio skersmens vamzdžiu. C. Išvalykite filtrą, o jei to nepakaktų – ir atbulinį vožtuvą.

LIETUVIŲ

5. Siurblys neužsipildo.	A. Įsiurbiamas oras per įsiurbimo vamzdį. B. Žemėjantis pasiurbimo vamzdžio nuolydis sąlygoja oro tarpų susidarym.	A. Pašalinkite to priežastį, patikrindami, ar sandarios jungtys ir įsiurbimo vamzdis, ir pakartokite parengiamuosius veiksmus. B. Pataisykite pasiurbimo vamzdžio nuolydį.
6. Nepakankamas srautas..	A. Užsikimšo įsiurbimo vamzdis. B. Susidėvėjęs arba užblokuotas darbo ratas. C. Nepakankamas pasiurbimo vamzdžio skersmuo.	A. Išvalykite įsiurbimo vamzdį. B. Pašalinkite užsikimšimus arba pakeiskite susidėvėjusias dalis. C. Pakeiskite pasiurbimo vamzdį didesnio skersmens vamzdžiu.
7. Siurblys dirba triukšmingai ir vibruoja.	A. Patikrinkite ar vamzdžiai ir siurblys stipriai pritvirtinti. B. Jeigu siurblys kavituoja, tai reiškia, kad vandens poreikavimas yra didesnis, nei galimas siurbti. C. Siurblys dirba virš parametrų nurodytų ant gamyklinės siurblio duomenų lentelės.	A. Stipriai pritvirtinkite laisvas detales. B. Sumažinkite pasiurbimo aukštį arba patikrinkite apkrovimo nuostolius. C. Gali būti naudinga apriboti paduodamą srautą.

13. GARANTIJA



Bet kokios iš anksto nesuderintos modifikacijos, atliktos negavus gamintojo leidimo, atleidžia gamintoją nuo bet kokios atsakomybės. Visos atsarginės dalys, naudojamos atliekant taisymo darbus, turi būti originalios, visi priedai gali būti naudojami tik gavus gamintojo leidimą, siekiant užtikrinti didžiausią mašinų ir įrenginių, į kuriuos įmontuojamos šios dalys ir priedai, saugumą.

Šiam gaminiui galioja teisinė garantija (Europos Bendrijoje 24 mėnesius nuo įsigijimo dienos) visiems defektams, atsiradusiems dėl gamintojo kaltės ar dėl naudotų medžiagų.

Gaminys garantijos laikotarpiu gali būti pakeistas kitu puikiai veikiančiu įrenginiu arba nemokamai pataisytas tik tuo atveju, jeigu laikytasi šių sąlygų:

- gaminys naudotas tinkamai, laikantis instrukcijų, nei pirkėjas, nei tretieji asmenys jo nebandė taisyti;
- gaminys pristatytas į pirkimo vietą su pirkimą patvirtinančiais dokumentais (sąskaita faktūra arba kasos kvitu) ir glaustu pastebėtos problemos aprašymu.

Sparnuotei ir visoms kitoms nusidėvinčioms dalims garantija negalioja. Pasinaudojus garantija, pradinis garantijos laikotarpis jokiu būdu nepailgėja.

SATURA RĀDĪTĀJS

1. LIETOJUMI	114
2. SŪKNĒJAMIE ŠĶIDRUMI	115
3. TEHNISKĀS SPECIFIKĀCIJAS UN LIETOŠANAS IEROBEŽOJUMI	115
4. PĀRVALDĪBA	115
4.1 Uzglabāšana	115
4.2 Transportēšana	115
4.3 Svārs un izmēri	115
5. BRĪDINĀJUMS	115
6. UZSTĀDĪŠANA	116
7. ELEKTRISKAIS SAVIENOJUMS	116
8. IEDARBINĀŠANA	116
9. VADĪBAS ELEKTRONISKĀ SASKARNE	117
9.1 Funkciju pārskats	117
9.1.1 Displeja apraksts	117
9.2 Funkciju apraksts	118
9.2.1 Sūkņi ON/OFF (AUTO MODE, MANUAL MODE)	118
9.2.2 Sagatavošanas posms	119
9.2.3 Trauksmes signālu atiestatīšana	119
9.2.4 Spiediena norāde ON/OFF	119
9.2.5 Sūkņa norāde On/off	119
9.2.6 Norāde Trauksmes signāli	119
9.2.7 Aizsardzība pret darbību sausus apstākļos (Dry running protection)	119
9.2.8 Aizsardzība pret noplūdi (ANTI-LEAKAGE)	119
9.2.9 Max pump on	119
9.2.10 Spiediena sensora trauksmes signāls	119
9.3 Pirmā iedarbināšanas reize	119
9.3.1 Gaismas diožu tests	119
9.3.2 Pirmā sagatavošanas reize	119
9.4 Parastas darbības ar atspējotu CUT-OUT (rūpnīcas)	120
9.5 Parastas darbības ar iespējotu CUT-OUT	120
10. DROŠĪBAS BRĪDINĀJUMI	120
11. TEHNISKĀ APKOPE UN TĪRĪŠANA	120
11.1 Nosūkšanas filtra tīrīšana	120
11.2 Pretvārsta tīrīšana	120
12. TRAUČĒJUMMEKLĒŠANA	120
12. GARANTĪJA	121

BRĪDINĀJUMS



Pirms uzstādīšanas rūpīgi izlasiet visu dokumentāciju.



Pirms jebkuras rīcības atvienojiet kontaktdakšu. Jebkādā veidā izvairieties no darbības bez ūdens.



Nepakļaujiet sūkņi nelabvēlīgiem laika apstākļiem.



Aizsardzība pret pārslodzi. Sūkņi ir aprīkoti ar motora termisko pārslodzes aizsargu. Motora iespējamās pārkaršanas gadījumā motora termiskās pārslodzes aizsargs automātiski izslēdz sūkņi. Dzesēšanas laiks ir apmēram 15-20 min., un pēc tam sūkņi automātiski ieslēdzas no jauna. Pēc motora termiskās pārslodzes aizsarga nostrādāšanas ir absolūti nepieciešams atrast cēloni un novērst to. Skatīt nodaļu „Traucējummeklēšana”.

1. LIETOJUMI

Pašuzsūcošie strūkļas centrālās sūkņi ar optimālu sūkšanas jaudu pat gāzēta ūdens klātbūtnē. Īpaši piemēroti ūdensapgādei un nemainīga spiediena uzturēšanai lauku mājās. Piemēroti lauksaimniecības maziem dārziem un dārzkopībai, māsaimniecības ārkārtas situācijās un hobijs kopumā. Pateicoties to kompaktajai formai un parocīgumam, tie arī ir ērti īpašiem lietojumiem, piemēram, kā portatīvie sūkņi avārijas gadījumā ūdens savākšanai no tvertnēm vai upēm.

Ja izstrādājums ir aprīkots ar Wifi, skatiet ātro pamācību.



Saskaņā ar spēkā esošajiem drošības noteikumiem, šos sūkņus nevar izmantot peldbaseinos, dīķos, ūdenskrātuvēs ar personu klātbūtni un, vai oglekļa degvielu (benzīna, dīzeļdegviela, degvielleja, šķīdinātāji u.c.) sūkņēšanai. Pirms uzglabāšanas laba prakse ir nodrošināt tīrīšanas posmu. Skatīt nodaļu "Tehniskā apkope un tīrīšana".

2. SŪKNĒJAMIE ŠKIDRUMI

Tīrīt bez cietiem vai abrazīviem, ar neagresīviem līdzekļiem.

Saldūdens	•
Lietusūdens (filtrēts)	•
Tīri notekūdeņi	○
Nefīrs ūdens	○
Strūklakas ūdens (filtrēts)	•
Upju un ezeru ūdens (filtrēts)	•
Dzeramais ūdens	•

1.tabula

- Piemērots
- Nepiemērots

3. TEHNISKĀS SPECIFIKĀCIJAS UN LIETOŠANAS IEROBEŽOJUMI

- **Barošanas spriegums: 220-240V**, skatiet elektrisko datu plāksnītes.
- **Linijas aizkavētas darbības drošinātāji (220-240V versija):** indikatīvās vērtības (ampēri).
- **Uzglabāšanas temperatūra:** -10°C +40°C.

Modelis	Linijas 220-240V, 50Hz drošinātāji
P1= 850	4
P1= 1100	6
P1= 640	4
P1= 920	6

2.tabula

	Modelis	P1=850	P1=1100	P1=640	P1=920
Elektriskie dati	P1 Nominālais enerģijas patēriņš [W]	850	1100	640	920
	P2 [W]	600	750	380	560
	Tīkla spriegums [V]	1~220-240 AC			
	Tīkla frekvence [Hz]	50			
	Strāva [A]	3.88	4.58	3.10	4.20
	Kondensators [uF]	12.5	16	16	12.5
	Kondensators [Vc]	450			
Santehnikas dati	Plūsma, maks. [l/h]	3180	3750	3600	4800
	Izplatība, maks. [m]	43	45	32	40
	Izplatība, maks. [bar]	4.3	4.5	3.2	4.0
	Maks. spiediens [bāri]	6			
	Maks. sūkņēšanas dziļums [m/min.]	8m / <3min		6m / < 3min	
Paredzētā lietošana	Strāvas kabeļa gar. [m]	1.5			
	Kabeļa tips	H07 RNF			
	Motora aizsardzības pakāpe	IP X4			
	Izolācijas klase	F			
	Šķidruma temperatūras lauks [°C], atbilstoši EN 60335-2-41 prasībām, lietošanai mājas apstākļos	0 °C / +35 °C			
	Daļiņu lielums, maks.	tīrs ūdens			
	Maks. vides temperatūra [°C]	+40 °C			
Svars	DNM GAS	1" M			
	Neto/bruto svars apt. [kg]	9.6/11.8	10.3/12.5	10.1/12.1	10.9/12.9

3. tabula



Sūknis nevar atbalstīt cauruļvadu svaru, kas jāatbalsta citādi.

4. PĀRVALDĪBA

4.1 Uzglabāšana

Visi sūkņi jāuzglabā slēgtā, sausā telpā ar pēc iespējas konstantu mitruma procentu, bez vibrācijām un putekļiem. Sūkņi pienāk savā oriģinālajā iepakojumā, kurā atrodas līdz to uzstādīšanai.

4.2 Transportēšana

Izvairieties izstrādājumus pakļaut nevajadzīgu triecienu un sadursmju ietekmei.

4.3 Svars un izmēri

Uzlīmē uz iepakojuma tiek norādīts elektriskā sūkņa kopējais svars un tā izmēri.

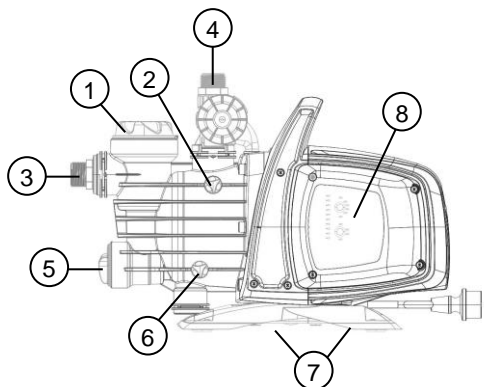
5. BRĪDINĀJUMS



Sūkņus nekad nedrīkst transportēt, celt vai paceltus darbināt ar strāvas kabeļa palīdzību; izmantojiet speciālu rokturi.

- Sūkņi nekad nedrīkst darbināt bez ūdens.
- Lesakām atvērt/aizvērt gaisa izvadīšanas atvēruma/izlādes atvēruma korķus (2 un 6) nepielietojot pārlieku spēku.

6. UZSTĀDĪŠANA



1. Priekšfiltrs
2. Ventilācijas vāciņš
3. Grozāmi sūkšanas savienojumi
4. Izvada savienojumi
5. Iebūvēts pretvārsts
6. Nolaišanas skrūve
7. Pretvibrāciju gumijas kājas
8. Vadības elektroniskā saskarne

Sūknis jāuzstāda no laika apstākļiem aizsargātā vietā un pie vides temperatūras, kas nepārsniedz 40°C.

Sūknis ir aprīkots ar pretvibrāciju kājām, bet stacionāru iekārtu gadījumā, jūs varat tās noņemt un nodrošināt stiprinājumu uz pamatplates (7).

Novērst, ka cauruļvadi var pārvadīt pārmērīgu spēku sūkņa atverēs (3) un (4), radot deformācijas vai lūzumus.

Vienmēr ir laba prakse novietot sūkni pēc iespējas tuvāk sūknējamajam šķidrumam.

Sūkni drīkst uzstādīt tikai vertikālā stāvoklī.

Cauruļvadi nekad nedrīkst būt ar mazāku iekšējo diametru nekā elektriskā sūkņa un sūknēšanas atvere; sūknis ir aprīkots ar filtru (1), un pretvārstu (NRV) (5).

Sūknēšanas dziļumam virs četriem metriem vai ar būtiskām horizontālām pārejām ir ieteicams izmantot iesūkšanas caurules ar lielāku diametru nekā no iesūkšanas sūkņa atvere. Lai novērstu gaisa kabatas veidošanos iesūkšanas caurulē, tā ir ar nelielu slīpumu attiecībā pret elektrosūkni. Att.2.

Ja iesūkšanas caurule ir izgatavoti no gumijas vai elastīga materiāla, vienmēr jāpārbauda, vai tā ir izturīga darbam ar vakuumu ekstrēmās apstākļos, lai, veicot sūknēšanu izvairītos no sašaurinājumiem.

Stacionāras iekārtas gadījumā mēs iesakām iesūkšanas pusē, kā arī izplūdes pusē uzstādīt slēgvārstu. Tas ļauj slēgt līniju pirms un/vai pēc sūkņa noderīga visiem iejaukšanās uzturēšanu un tīrīšanu vai par periodiem, kuros sūknis netiek izmantots.

Sūknis ir aprīkots ar rotējošu pievadu, lai atvieglotu uzstādīšanu. (3) un (4).

Šūtenes gadījumā, ja nepieciešams, izmantot līkni 1.attēlā un dārzniecības komplektu, kas sastāv no PE cauruļvada un armatūras ar uzgali komplektu, kas nav iekļauts komplektācijā, bet ko var iegādāties atsevišķi.

Loti sīku izmēru netīrumu klātbūtnes gadījumā ieteicams lietot, papildus iebūvēto filtru (1), filtru sūkņa pievadā, kas uzstādīts uz iesūkšanas caurules.

- Motoru nedrīkst pakļaut pārmērīgam palaišanas biežumam/stundā, un ir stingri ieteicams nepārsniegt 20 palaišanas reizes/stundā.



Izplūdes caurules diametrs jābūt lielākam vai vienādam ar elektrosūkņa atveres diametru, skatīt 3. tabulu.

7. ELEKTRISKAIS SAVIENOJUMS



Pārliecināties, vai tīkla spriegums atbilst tam, kas norādīts motora strāvas padeves datu plāksnītē, un, vai ir iespējams izveidot labu zemes savienojumu. **Ievērojiet datu plāksnītes un šīs instrukcijas 3. tabulas norādījumus.**

Sūkņa strāvas vada garums ierobežo uzstādīšana attālumu; ja jums nepieciešams pagarinātājs, pārliecināties, vai tas ir tas ir tāda paša veida (piemēram, H05 RN-F vai H07 RN-F, atkarībā no iekārtas); skatīt 3. tabulu.

8. IEDARBINĀŠANA



Neiedarbināt sūkni, līdz tas nav pilnībā uzpildīts ar šķidrumu, aptuveni no 4 litriem, līdz no nolaišanas skrūves (2) izplūst gaiss.

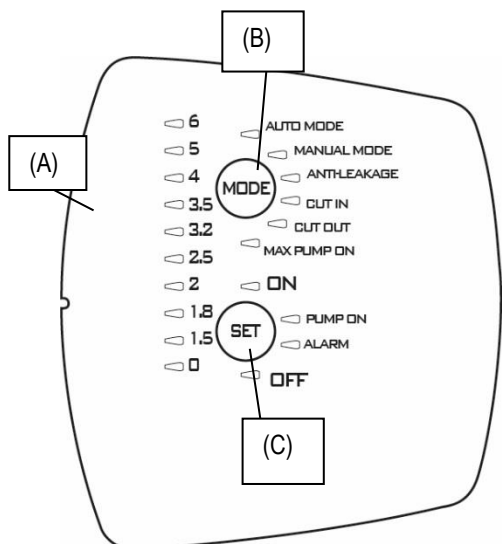
Gadījumā ja ūdens resursi izbeidzas, nekavējoties atvienojiet kontaktdakšu, sūkni izslēdzot. Izvairieties no darbības sausos apstākļos.

1. Pirms sūkņa iedarbināšanas pārbaudīt, vai sūknis sūknē vienmērīgi, nodrošinot tā pilnīgu uzpildījumu ar tīru ūdeni caur atveri, noņemot filtra caurspīdīgo uzpildes vāciņu (1) ar rokām vai ar īpaša instrumenta palīdzību, kas iekļauts komplektācijā. Atvērt tajā pašā laikā arī ventilācijas vāciņu (2), lai izlaistu gaisu. Šī darbība ir būtiska pareizai sūkņa funkcionēšanai, kas ir nepieciešams, lai tiktu rūpīgi ieeļļots mehāniskais blīvējums. **Darbība sausos apstākļos rada mehāniskā blīvējuma neatgriezeniskus bojājumus.**
2. Uzpildes vāciņš pēc tam ir jāuzskrūvē uzmanīgi no jauna, līdz tas atduras (1), kā arī ventilācijas vāciņš (2).
3. Pievienojiet strāvas vada kontaktdakšu elektrības kontaktligzdai 220-240V. **Uzmanību!** Sūkņa motors iedarbojas nekavējoties; ūdens sāk iztecēt pēc maksimālā laikā 3 minūtes, kas ir atkarīgs no ūdens līmeņa dziļuma urbumā vai tvertnē.
4. Sūknis turpinās darboties un piegādās ūdeni. **Uzmanību!** Izvairieties no darbības sausos apstākļos.
5. Lai izslēgtu sūkni, atvienot strāvas vadu.



Ja rodas problēmas ar gruntēšanu, atkārtojiet darbību, līdz viss gaiss sūknēšanas procesa laikā ir pazudis.

9. VADĪBAS ELEKTRONISKĀ SASKARNE



9.1 Funkciju pārskats

Apraksts	Parametri
Spriegums, kartes frekvence	1x220-240V, 50/60 Hz
Norāde spriegums on/off (ieslēgt/izslēgt)	●
Norāde motors on/off (ieslēgt/izslēgt)	●
Norāde Trauksmes signāli	●
Norāde Spiediens	●
Norāde Režīms	●
Auto Mode (Automātiskais režīms)	●
Manuālais režīms	○
Aizsardzība pret Darbība sausā režīmā	●
Aizsardzība pret noplūdi	○
Aizsardzība Maks. sūkņis on (iesl.)	○ (30 minūtes)
Spiediens Cut-in (ieslēgšanas)	○ Mainīgs (1,5 – 3,0 bāri)
Spiediens Cut-out (izslēgšanas)	○ (Cut-in + 1 bāri)
Automātiskā sagatavošana	●
Atlases pogas	●

● = Fiksēta vērtība; ○ = Atlasāma vērtība

9.1.1 Displeja apraksts:

(A) Spiediena gaismas diodes indikatori

Tiek izmantotas 10 gaismas diodes kā spiediena norādes no 0 līdz 6 bāriem. Izmainoties sistēmas spiedienam, gaismas diodes atbilstoši ieslēdzas vai izslēdzas.

Funkcija	Konfigurācijas displejs	Set (Iestatīt)	Reset Alarm (Atiestatīt trauksmes signālu)
Auto Mode		ON: iespējo OFF: atspējo	
Manual mode		ON: iespējo OFF: atspējo	
Anti-leakage		ON: iespējota OFF: atspējota	Nospieš SET (IESTATĪT)
Cut in		Palielina/samazina	
Cut out		Palielina/samazina OFF: atspējots	
Max pump on		ON: iespējots OFF: atspējots	Nospieš SET (IESTATĪT)

(B) Atlases poga MODE (REŽĪMS)

Atlasāmie režīmi:

- | | |
|-------------------|-----------------|
| 1) AUTO_MODE; | 4) CUT_IN; |
| 2) MANUAL_MODE; | 5) CUT_OUT; |
| 3) ANTI LEACKAGE; | 6) MAX_PUMP_ON; |

Lai atbloķētu funkcionalitātes atlasi, uz "MODE" nospiediet pogu "MODE" 5 sekundes.

Nospiediet **"MODE"**, lai ritinātu dažādus darbības režīmus (AUTO_MODE vai MANUAL_MODE) vai maināmos parametrus (CUT IN un CUT OUT) vai, lai iespējotu dažas funkcijas (ANTI-LEAKAGE un MAX PUMP ON). Ritināšanas laikā sāk mirgot izvēlētās funkcijas gaismas diode. Atgriežoties režīmā AUTO_MODE, aktīvās funkcijas tiek izceltas ar atbilstošu, vienmērīgi degošu gaismas diodi. Skatiet 2.punktu (Funkciju apraksts).

"MODE" indikatori

AUTO MODE: sūknis darbojas automātiskajā režīmā, skatiet 9.2.1.

MANUAL MODE: sūknis darbojas manuālajā režīmā, skatiet 9.2.1, lietotājam ir jāizlemj, kad to ieslēgt un izslēgt, nospiežot pogu **"SET"**. SET-ON iedegas SET-OFF nodziest.

CUT-IN: minimālā spiediena iestatījums (ja iespējots), zem kura sūknis tiek aktivizēts, jāiestata no 1,5 līdz 3,0 bāriem, rūpnīcas iestatījums 1.8 bāri; sūknis tiek aktivizēts pat tad, ja plūsma samazinās, atrodoties zem rūpnīcā iestatītās minimālās vērtības 1,5 l/min.

CUT-OUT: spiediena iestatījums (atspējots) spiediens, pie kura sūknis apstājas, rūpnīcā iestatītais "CUT-IN" + 1 LED jāpalielina līdz 3.5 bāriem (50.8 psi).

Lai iespējotu, atlasiet funkciju, nospiežot "MODE", līdz CUT-OUT atbilstošā gaismas diode sāk mirgot, un:

- 1) piespiest SET **uz 10 sekundēm**, lai iedarbinātu/atbloķētu funkciju (tagad iedegsies LED gaismas uz spiediena vērtībām),
- 2) piespiest SET, lai izvēlētos vēlamo vērtību,
- 3) lai atslēgtu funkciju, novietot cut-out vērtību uz 0 [bar vai psi].
- 4) iziet no iestatījuma, piespiežot MODE.

PIEZĪME: CUT-OUT vērtība var būt izmainīta tikai pēc funkcijas atbloķēšanas, piespiežot taustu SET uz 10 sekundēm. Pēc 1 sekundes nepiespiežot nevienu taustu, funkcija no jauna nobloķēsies.

ANTI-LEAKAGE: aizsardzība pret noplūdi. Šo funkciju var iespējot vai atspējot. Rūpnīcā tā tiek atspējota. Kad tā ir iespējota, pastāvot nosacījumam, ka sūknis iedarbinās vairāk nekā 6 reizes 2 minūtēs, tas apstājas, un tiek norādīta kļūda ar sarkanu gaismas diodi, kas lēnām mirgo, norādot **"ALARM"**.

Lai to iespējotu, atlasiet funkciju, nospiežot "MODE", līdz attiecīgā gaismas diode mirgo, un pēc tam nospiediet SET, līdz iedegas gaismas diode "ON". Lai to atspējotu, nospiediet "SET", līdz iedegas gaisma, kas norāda OFF.

Pēc cēloņa novēršanas atiestatiet trauksmes signālu, ja tas vēl ir aktuāls; skatiet 9.2.3. punktu.

MAX PUMP ON: maksimālais darbības periods. Šo funkciju var iespējot vai atspējot. Rūpnīcā tā tiek atspējota. Kad tā ir iespējota, pastāvot nosacījumam, ka sūknis darbojas vairāk par 30 minūtēm, tas apstājas, un neparādās neviena kļūdas norāde.

Šī funkcija tiek izmantota, lai aizsargātu instalāciju, ja nejauši tiek atstāts atvērts krāns, ja ir bojāta caurule, vai arī tā tiek izmantota apūdeņošanas lietojumam.

Lai to iespējotu, atlasiet funkciju, nospiežot "MODE", līdz MAX PUMP ON atbilstošā gaismas diode iedegas, un pēc tam nospiediet SET, līdz iedegas gaismas diode "ON". Lai to atspējotu, nospiediet "SET", līdz iedegas gaisma, kas norāda OFF.

(C) Atlases poga SET (IESTATĪT)

Atlasāmie režīmi:

- 1) Atiestatīt trauksmes signālus;
- 2) Iespējo/atspējo režīmā MODE (MAX_PUMP_ON, ANTILEACKAGE)
- 3) Palielina parametrus režīmā MODE (CUT_IN; CUT_OUT);
- 4) Motors ON/OFF režīmā MANUAL MODE;
- 5) Sūknis darbojas/sūknis gaidstāvē režīmā AUTO MODE

Nospiediet **"SET"**, lai mainītu parametrus; gadījumā, ja deg MODE-CUT IN vai MODE-CUT OUT gaismas diode, vērtība tiek parādīta joslā ar spiediena norādes gaismas diodi. Nospiežot **"SET"**, vērtība tiek palielināta. Pēc vēlamās vērtības iestatīšanas izejiet no izmaiņām, nospiežot **"MODE"**, un tādējādi iespējot MODE-AUTO un SET "ON" gaismas diodi.

Nospiediet SET arī, lai iespējotu/atspējotu funkcijas Anti-leakage un Max pump On. Pēc funkcijas atlases ar pogas "MODE" palīdzību to iespējot, atlasot SET-ON; lai to atspējotu, atlasiet SET-OFF.

Režīmā "MANUAL" poga SET tiek izmantota, lai ieslēgtu vai izslēgtu sūkni, un iedegas gaismas diode "On" vai "OFF".

Automātiskais režīms AUTO-MODE tiek izmantots, lai iespējotu "ON" vai gaidstāvi "OFF".

PUMP ON: norāde, kas sakrīt ar motoru darbībā.

9.2 Funkciju apraksts**9.2.1 Sūknis ON/OFF (AUTO MODE, MANUAL MODE)**

Cut out atspējots → ievietojo kontaktakšu pēc testa; sūkņa gaismas diode deg 10 sekundes.

Cut out iespējots → Pēc kontaktdakšas ievietošanas pirmās 3 sekundes tiek veikts tests ar gaismas diodi (Ja LED 0 vienmēr norāda sprieguma klātbūtni), un tiek iestatīts noklusējuma režīms "AUTO MODE", iedegoties signāllampīnai "ON". Sūkņi sāk strādāt, ja spiediens ir zemāks par vērtību CUT-IN un plūsma ir zem CUT-IN minimālās plūsmas. Sūkņi turpina darboties līdz brīdim, kad spiediens pazeminās zem CUT-OUT vērtības, kuru sasniedzot, neatkarīgi no plūsmas, tas izslēdzas.

Ja tā vietā tiek atlasīts režīms "MANUAL MODE", vienu reizi nospiežot pogu "MODE", sūkņi iedarbinās, ja deg gaismas diode "ON"; pretējā gadījumā, nospiežot "SET", sūkņi izslēdzas, un iedegas gaismas diode "OFF".

Kad sūkņi sāk darboties, tas pārslēdzas uz SAGATAVOŠANAS režīmu.

Lūdzu, ņemiet vērā: noteikti ievērojiet uzstādīšanas instrukcijas un, lai sūkņi pilnībā tiktu uzpildīti ar ūdeni.

9.2.2 Sagatavošanas posms

Kad sūkņi sāk darboties, tas pārslēdzas sagatavošanas režīmā; šajā posmā, ja nav plūsmas un spiediena, motors turpina darboties 3 minūtes un pēc tam ieslēdzas sausās darbības trauksmes signāls. Ja šajā laikposmā parādās plūsma vai spiediens, tiek veikta sagatavošanās un sūkņi darbojas normāli.

9.2.3 Trauksmes signālu atiestatīšana

Ja tiek izraisīts trauksmes signāls, iedegas sarkanā signāllampīna "ALARM". Trauksmes signāls tiek atiestatīts, nospiežot pogu "SET"; ja tiek novērsts cēlonis, kas to izraisījis; turpinās normāla darbība; pretējā gadījumā sūkņi no jauna atgriezīsies pie trauksmes signāla.

9.2.4 Spiediena norāde ON/OFF

Ja ir spriegums, gaismas diodes joslā deg spiediena gaismas diode 0. Ja nav sprieguma, gaismas diode tiek izslēgta.

Lūdzu, ņemiet vērā: ja iestājas ilgstošs laika periods bez darbības, ir ieteicams pārtraukt sprieguma padevi, izvelkot kontaktdakšu.

9.2.5 Sūkņa norāde On/off

Motoram darbojoties, "PUMP ON" zilajai gaismai jābūt ieslēgtai, lai norādītu darbību. Motoram apstājoties, šī gaismas diode tiek izslēgta.

9.2.6 Norāde Trauksmes signāli

Ja tiek izraisīts trauksmes signāls, uz "ALARM" tiek aktivizēta vienmērīga vai mirgojoša sarkana gaisma.

Darbība sausos apstākļos (Dry-running): vienmērīga sarkanā gaisma

Noplūde (Leakage): lēna mirgošana

Max Pump ON (sūkņi darbojas ilgāk par 30 minūtēm): 2 ātri mirgojumi ar ilgākas pauzes intervālu.

Nospiežot pogu "SET", lai atiestatītu trauksmes signālus.

9.2.7 Aizsardzība pret darbību sausos apstākļos (Dry running protection)

Ja sūkņi darbojas sausos apstākļos, pēc dažām sekundēm (40 sek.) tas apstājas, un tiek parādīta kļūdas norāde, degot vienmērīgai sarkanās signāllampīnas gaismai "ALARM".

Pēc pirmajām 30 minūtēm, sūkņim atrodoties stāvoklī OFF, tiek veikts jauns atsāknēšanas mēģinājums, kas ilgst 5 min. Ja arī tas ir neveiksmīgs, tiek veikts jauns mēģinājums ik pēc 30 minūtēm, bet ne vairāk par 48 reizēm. Ja visi šie mēģinājumi ir neveiksmīgi, tiek veikts viens ik pēc 24 stundām.

Ierīce automātiski iziet no darbības pie trauksmes signāla sausos apstākļos, ja ir plūsma un/vai spiediens.

Ja trauksmes signāls tiek atiestatīts, skatiet 9.2.3. punktu; jauns mēģinājums tiek veikts ik pēc 40 sek.

Lai novērstu cēloņus un atiestatītu trauksmes signālus, skatiet 9.2.3. punktu.

9.2.8 Aizsardzība pret noplūdi (ANTI-LEAKAGE)

Šo funkciju var iespējot vai atspējot; rūpnīca tā ir iestatīta atspējota. Kad tā ir iespējota, pastāvot nosacījumam, ka sūkņi iedarbinās vairāk nekā 6 reizes 2 minūtēs, tas apstājas, un tiek norādīta kļūda ar sarkanu gaismas diodi, kas lēnām mirgo, norādot "ALARM".

Lai novērstu cēloņus un atiestatītu trauksmes signālus, skatiet 9.2.3. punktu.

Iespējošanas procesam skatiet Anti-leakage punktu.

9.2.9 Max pump on

Maksimālais darbības periods. Šo funkciju var iespējot vai atspējot. Rūpnīcā tā tiek atspējota. Kad tā ir iespējota, pastāvot nosacījumam, ka sūkņi darbojas vairāk par 30 minūtēm, tas apstājas, ja mirgo ALARM norāde.

Šī funkcija tiek izmantota, lai aizsargātu instalāciju, ja nejauši tiek atstāts atvērts krāns, ja ir bojāta caurule, vai arī tā tiek izmantota apūdeņošanas lietojumam.

9.2.10 Spiediena sensora trauksmes signāls

Ierīce izdod spiediena sensora trauksmes signālu, ja spiediena vērtība ir ārpus diapazona (0-15 bāri). Sūkņi tiek izslēgti; kļūda tiek atiestatīta, tiklīdz spiediens atgriežas diapazona robežās.

9.3 Pirmā iedarbināšanas reize

9.3.1 Gaismas diožu tests

Pirmo reizi iedarbinot, vai pēc barošanas kontaktdakšas ievietošanas uz dažām sekundēm tiek veikts tests 20 gaismas diodēm, kura laikā visas gaismas diodes secīgi iedegas.

9.3.2 Pirmā sagatavošanas reize

Sūkņi automātiski pārslēdzas AUTO režīmā un iestatās uz ON.

Var būt trīs iespējas.

- 1) Pastāv plūsma, bet ir zems spiediens: iziet no sagatavošanas posma un uzsāk normālu darbību.
- 2) Pastāv spiediens, bet nav plūsmas: pēc 10 sek. šajā stāvoklī sūkņi izslēdzas.
- 3) Nav ne plūsmas, ne spiediena: sūkņi izslēdzas, un apmēram pēc 3 minūtēm parādās kļūda pie darbības sausos apstākļos, kas tiek signalizēta, iedegoties sarkanajai gaismas diodei SET-ALARM. Novērsiet cēloni un atiestatiet trauksmes signālu; skatiet 9.2.3. punktu.

9.4 Parastas darbības ar atspējotu CUT-OUT (rūpnīcas)

Atspējots Cut-out nozīmē, ka ir šādas iespējas:

- sūkņi ir aktivizēti, ja ir plūsma vai arī, ja nav spiediena; spiediens ir zemāks par CUT IN (10 ms laikā);
- sūkņi tiek apturēti, pastāvot nosacījumam, ka ir spiediens, bet 10 sekundes nav nepārtrauktas plūsmas.

Gaismas diode CUT OUT normālas darbības laikā ir izslēgta. Lai mainītu iestatījumus, skatiet 9.1.1.B punktu.

9.5 Parastas darbības ar iespējotu CUT-OUT

Iespējots Cut-out nozīmē, ka ir šādas iespējas:

- sūkņi tiek aktivizēti, ja spiediens ir zemāks par spiedienu CUT IN;
- sūkņi tiek apturēti, ja spiediens ir augstāks par spiedienu CUT OUT.

Gaismas diode CUT OUT normālas darbības laikā ir ieslēgta. Lai mainītu iestatījumus, skatiet 9.1.1.B punktu.

10. DROŠĪBAS BRĪDINĀJUMI

SALA RISKS: Sūkņim neatrodoties darbībā pie temperatūras, kas zemāka par 0°C, jānodrošina, lai nebūtu atlikušā ūdens, kas veido apledoju un tādejādi var rasties plaisas plastmasas detaļās.

Ja sūkņi tiek izmantoti ar vielām, kas veido nogulsnes, vai hlorētu ūdeni, pēc lietošanas izskalot to ar spēcīgu ūdens strūklu, lai neveidotos nogulsnes vai inkrustācijas, kas savukārt samazina sūkņa raksturlielumus.

11. TEHNISKĀ APKOPE UN TĪRĪŠANA

Elektriskajam sūkņim normālas ekspluatācijas apstākļos nav nepieciešama tehniskā apkope. Jebkurā gadījumā, visi remonta un tehniskās apkopes darbi jāveic tikai pēc sūkņa atvienošanas no barošanas avota. Restartējot sūkni, pārliecināties, vai tas tika prasmīgi pievienots no jauna, lai neradītu miesas bojājumus vai materiālos zaudējumus.

11.1 Nosūkšanas filtra tīrīšana (3. att.)

- Izslēgt sūkņa strāvas padevi.
- Drenēt sūkni, atverot nolaišanas skrūvi (6), vispirms aizverot iepriekšējā posma plūsmas vārstus (ja ir uzstādīti).
- Atskrūvēt filtra kameras vāku ar rokām vai ar īpašu piederumu, kas iekļauts komplektācijā.
- Izvilkt filtra mezglu.
- Noskalot stikla trauku zem tekoša ūdens un notīrīt filtru ar mīkstu suku.
- Uzstādīt filtru, izpildot darbības apgriezta secībā.

11.2 Pretvārsta tīrīšana (4. att.)

- Izslēgt sūkņa strāvas padevi.
- Noņemt pretvārsta vāciņu (5) izmantojot komplektācijā iekļauto piederumu
- Noņemt pretvārstu un iztīrīt to no netīrumiem.
- Uzstādīt attiecīgās detaļas demontāžai pretējā secībā.

12. TRAUCĒJUMMEKLĒŠANA



Pirms sākt traucējummeklēšanu, nepieciešams atvienot elektriskos savienojumus (atvienot kontaktdakšu). Ja barošanas kabeļa vai sūkņa jebkura elektriskā daļa ir bojāta, tās remonts vai nomaiņa jāveic ražotājam vai tā tehniskās palīdzības pakalpojuma dienestam vai personai ar līdzvērtīgu kvalifikāciju, lai novērstu visus riskus.

PROBLĒMAS	PĀRBAUDES (iespējamie cēloņi)	RISINĀJUMI
1. Motors neiedarbinās un neizdod troksni.	A. Pārbaudīt elektriskos savienojumus. B. Pārbaudīt, vai motors ir zem sprieguma. C. Pārbaudīt aizsardzības drošinātājus. D. Termiskā aizsardzības iespējama nostrādāšana.	C. Ja tie ir nolietojušies, nomainīt. D. Uzgaidīt apt. 20 min, lai atdzistu motors. Pārbaudīt traucējumu iemeslu un novērst to. N.B.: Kļūmes tūlītēja atkārtošanās nozīmē, ka motorā ir īssavienojums.
2. Motors neiedarbinās, bet izdod troksni.	A. Pārliecināties, vai tīkla spriegums atbilst plāksnītē norādītajam. B. Meklēt, vai nav aizsērējis sūkņi vai motors. C. Pārliecināties, vai nav bloķēta vārpsta. D. Pārbaudīt kondensatora stāvokli.	B. Noņemt aizsērējumus. C. Ar komplektācijā iekļautā instrumenta palīdzību noskrūvēt vāciņu, un, izmantojot skrūvgriezi, atbloķēt vārpstu. D. Nomainīt kondensatoru.
3. Motors griežas ar grūtībām.	A. Pārliecināties, vai strāvas padeve ir pietiekama. B. Pārliecināties, vai nav skrāpējumu pazīmes starp kustīgajām un fiksētajām daļām.	B. Noskaidrot un novērst skrāpējumu cēloņus.

4. Sūkņis nedarbojas.	A. Sūkņis nesūknē pareizi. B. Iesūkšanas caurules diametrs nav pietiekams. C. Pretvārsts vai filtrs aizsērējis.	A. Uzpildīt sūkni ar ūdeni, un veikt sūknēšanu, pievēršot uzmanību gaisa izlaišanai, atlaižot ventilācijas vāciņu. B. Nomainīt ar cauruli ar lielāku diametru. C. Notīriet filtru un gadījumā, ja tas nav pietiekami, pretvārstu.
5. Sūkņis nesūknē.	A. Iesūkšanas caurulē tiek nosūkts gaiss. B. Iesūkšanas caurules negatīvais slīpums veicina gaisa kabatu veidošanos.	A. Novērst šo fenomenu, pārbaudot savienojumu hermētiskumu un ieplūdes cauruļvadu, un atkārtoti sistēmas atgaisošanu. B. Izlabot iesūkšanas caurules slīpumu.
6. Sūkņa sūknēšanas kapacitāte ir pārāk zema.	A. Iesūkšanas caurule ir aizsērējusi. B. Lāpstīņritenis ir nodilis vai aizsērējis. C. Ieplūdes caurules diametrs nav pietiekams.	A. Notīrīt iesūkšanas cauruli. B. Noņemt aizsērējumus vai nomainīt nodilušās detaļas. C. Nomainīt ar cauruļvadu ar lielāku diametru.
7. Sūkņis vibrē ar trokšņainu darbību.	A. Pārbaudīt, vai sūkņis un cauruļvadi ir nofiksēti. B. Sūkņa kavitācija, t. i., ūdens pieprasījums pārsniedz to, ko spēj sūkņis sūknēt. C. Sūkņa darbība neatbilst datu plāksnītē norādītajai.	A. Nostiprināt rūpīgāk vajīgās daļas. B. Samazināt iesūkšanas augstumu vai pārbaudīt slodzes zudumus. C. Var būt noderīgi ierobežot piegādi plūsmu.

13. GARANTĪJA



Jebkādas neatļautas modifikācijas atbrīvo ražotāju no jebkādas atbildības. Visām rezerves daļām, kuras izmanto remontam, jābūt oriģinālām un visām palīgierīcēm jābūt ražotāja apstiprinātām, lai varētu nodrošināt iekārtu un sistēmu maksimālu drošību vietās, kur tās var tikt uzstādītas.

Šim produktam ir piešķirtas juridiskās garantijas (Eiropas Kopienā 24 mēnešu laikā no iegādes datuma) attiecībā uz visiem trūkumiem saistībā ar ražošanas defektiem vai izmantoto materiālu.

Izstrādājums garantijas laikā, pēc saviem ieskatiem, vai nu tiek aizstāts ar tādu, kas ir labā darba kārtībā, vai tiek remontēts bez maksas, pamatojoties uz šādiem nosacījumiem:

- izstrādājums tika izmantots pareizi un saskaņā ar instrukcijām, un pircējs vai trešās personas nav mēģinājušas veikt remontu.
- izstrādājums tiek nodots pirkuma veikalā, pievienojot dokumentu, kas apliecina pirkumu (pārdošanas kvīti), un tā problēmas īsu aprakstu.

Garantija nesedz lāpstīņriteni un dilstošās daļas. Garantijas prasības nekādā veidā nav pagarināmas ilgāk par sākotnējo laikposmu.

INHOUD

1. TOEPASSINGEN	122
2. POMPBARE VLOEISTOFFEN	123
4. BEHEER	123
4.1 Opslag	123
4.2 Transport	123
4.3 Gewicht en afmetingen.....	123
5. WAARSCHUWINGEN	123
6. INSTALLATIE	124
7. ELEKTRISCHE AANSLUITING	124
8. STARTEN	124
9. ELEKTRONISCHE INTERFACE VOOR BEHEER	125
9.1 Overzicht van de kenmerken.....	125
9.1.1 Beschrijving van het display:.....	125
9.2 Beschrijving van de functies	126
9.2.1 Pomp ON/OFF (AUTO MODE, MANUAL MODE)	126
9.2.2 Aanzuigfase	127
9.2.3 Reset alarmen.....	127
9.2.4 Aanduiding spanning ON/OFF.....	127
9.2.5 Aanduiding pomp ON/OFF	127
9.2.6 Aanduiding alarmen.....	127
9.2.7 Beveiliging tegen droge werking (Dry running protection)	127
9.2.8 Antilek-beveiliging (ANTI-LEAKAGE)	127
9.2.9 Max pump on	127
9.2.10 Alarm druksensor.....	127
9.3 Eerste start	127
9.3.1 Test van de leds	127
9.3.2 Eerste aanzuiging	127
9.4 Normale handelingen met CUT-OUT uitgeschakeld (default)	128
9.5 Normale handelingen met CUT-OUT aangeschakeld	128
10. VOORZORGSMAATREGELEN	128
11. ONDERHOUD EN REINIGING	128
11.2 Schoonmaak van de terugslagklep (Afbeelding.4)	128
12. PROBLEMEN OPSPOREN	128
13. GARANTIE	129

WAARSCHUWINGEN



Lees deze documentatie aandachtig door vóór de installatie.



Trek steeds de stekker uit het stopcontact alvorens enige interventie uit te voeren. Vermijd absoluut de droge werking.



Bescherm de elektropomp tegen weer en wind.



Beveiliging tegen overbelasting: de pomp is voorzien van een beveiliging tegen oververhitting. Indien de motor eventueel oververhit raakt, schakelt deze oververhittingsbeveiliging de pomp automatisch uit. Na een afkoeltijd van ongeveer 15-20 minuten gaat de pomp automatisch weer aan. Na inwerkingtreding van de thermische motorbeveiliging, moet in ieder geval de oorzaak daarvan opgespoord en verholpen worden. Raadpleeg Het Opsporen van Storingen.

1. TOEPASSINGEN

Centrifugaal zelfwissende sproei pompen met uitstekende opzuiging vermogen ook bij water met gasaanwezigheid. Bijzonder geschikt voor de toevoer en onderdrukzetting van water naar landhuizen. Geschikt voor kleine landbouw- en tuinbouwbedrijven, huishoudelijke noodsituaties en doe-het-zelf-doeleinden. Dankzij de compacte en handige vorm is deze pomp ook zeer nuttig als draagbare pomp in noodgevallen, zoals bij stalname van water uit reservoirs en rivieren.

Voor producten met wifi, raadpleeg de quick guide.



Volgens de normen voor ongevallenpreventie die op dit gebied van kracht zijn, mogen deze pompen niet worden gebruikt in zwembaden, vijvers, bassins waar zich mensen bevinden, of voor het pompen van koolwaterstoffen (benzine, gasolie, stookolie, oplosmiddelen enz.). Maak de pomp schoon alvorens ze terug op te bergen: zie hoofdstuk "Onderhoud en Schoonmaak"

2. POMPBARE VLOEISTOFFEN

Schoon, zonder vaste of schurende stoffen, niet aggressief.

Schoon water	•
Regenwater (gefiltreerd)	•
Grijs afvalwater	○
Afvalwater	○
Fonteinwater (gefiltreerd)	•
Water van rivieren of meren (gefiltreerd)	•
Drinkwater	•

Tabel 1

- Geschikt
- Niet geschikt

3. TECHNISCHE GEGEVENS EN GEBRUIKSBEPERKINGEN

- **Voedingsspanning: 220-240V**, zie het plaatje met elektriciteitsgegevens.
- **Vertraagde lijnzekerings (versie van 220-240V):** waarden bij benadering (ampère).
- **Temperatuurbereik van de vloeistof: -10°C +40°C.**

Model	Lijnzekerings 220-240V 50Hz
P1= 850	4
P1= 1100	6
P1= 640	4
P1= 920	6

Tabel 2

	Model	P1=850	P1=1100	P1=640	P1=920
Elektrische gegevens	P1 Nominaal opgenomen vermogen [W]	850	1100	640	920
	P2 [W]	600	750	380	560
	Netspanning [V]	1~220-240 AC			
	Netfrequentie [Hz]	50			
	Stroom [A]	3.88	4.58	3.10	4.20
	Condensator [μ F]	12.5	16	16	12.5
	Condensator [Vc]	450			
Hydraulische gegevens	Max. debiet [l/h]	3180	3750	3600	4800
	Max. opvoerhoogte [m]	43	45	32	40
	Max. opvoerhoogte [bar]	4.3	4.5	3.2	4.0
	Max. druk [bar]	6			
	Max. aanzuigdiepte [m/min]	8m / <3min		6m / < 3min	
Toepassingsgebieden	Lengte voedingskabel [m]	1.5			
	Soort kabel	H07 RNF			
	Beschermingsgraad motor	IP X4			
	Isolatieklasse	F			
	Temperatuurrange vloeistof [°C] volgens EN 60335-2-41 voor huishoudelijk gebruik	0 °C / +35 °C			
	Max. afmetingen deeltjes	schoon water			
	Max. omgevingstemperatuur [°C]	+40 °C			
Gewicht	DNM GAS	1" M			
	Netto/brutogewicht [kg]	9.6/11.8	10.3/12.5	10.1/12.1	10.9/12.9

Tabel 3



De pomp hij kan niet het gewicht van de leidingen niet dragen; dit gewicht moet derhalve op een andere manier worden ondersteund.

4. BEHEER

4.1 Opslag

Alle pompen moeten worden opgeslagen in een overdekte, droge ruimte met een zo mogelijk constante luchtvochtigheid, zonder trillingen en stof. Ze worden geleverd in hun oorspronkelijke verpakking, waarin ze tot aan het moment van installatie moeten blijven.

4.2 Transport

Voorkom dat er onnodig tegen de producten wordt gestoten en gebotst.

4.3 Gewicht en afmetingen

De sticker aangebracht op de verpakking vermeldt het totaalgewicht en de afmetingen van de elektropomp.

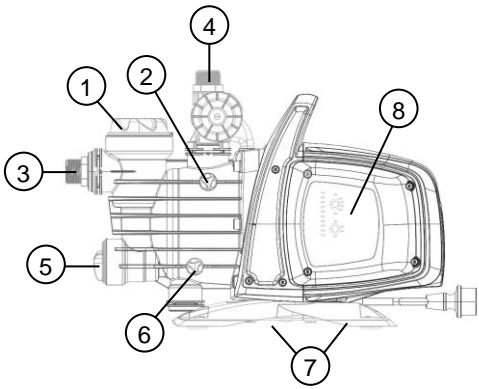
5. WAARSCHUWINGEN



De pompen mogen niet worden verplaatst, worden opgeheven of werken terwijl ze opgehangen zijn aan de voedingskabel. Gebruik hiervoor enkel het specifiek handvat.

- De pomp mag nooit droog draaien.
- Het wordt geadviseerd om de ontluichtings-/aftapdoppen (2 en 6) te openen/sluiten zonder al te veel kracht.

6. INSTALLATIE



1. Voorfilter
2. Ontluchtingsdop
3. Draaibare aanzuigaansluiting
4. Persaansluiting
5. Geïntegreerde terugslagklep
6. Afvoerdop
7. Antitrilvoetjes in rubber
8. Elektronische interface voor beheer

De elektropomp moet geïnstalleerd worden op een plaats beschermd tegen weer en wind, bij een temperatuur van maximum 40°C.

De pomp is uitgerust met antitrilvoetjes. Bij vaste installatie kunnen deze worden verwijderd en kan de pomp verankerd worden aan de steunbasis (7).

Vermijd dat de buizen grote belastingen overbrengen naar de pompaansluitingen (3) en (4), om omvormingen of schade te vermijden.

Het is altijd goede regel de pomp zo naast mogelijk bij de op te pompen vloeistof te plaatsen.

De pomp moet alleen in horizontale stand geplaatst worden.

De interne diameter van de buizen mag nooit kleiner zijn dan die van de pers- en aanzuigaansluiting van de elektropomp. De pomp is uitgerust met een filter (1) en terugslagklep (5).

Voor diepte opzuiging boven de vier meter of met aanzienlijk horizontale trajecten, het is de toepassing van een opzuigingsbuis aan te raden van grotere diameter dan diegene van de pomp opzuigingsmond. Om de vorming van lucht zakken in de opzuigingsbuis te voorkomen, een kleine positieve helling bij de opzuigingsmond naar de elektropomp te rekenen. Afb.2 Indien de aanzuigbuis vervaardigd is in rubber of in een flexibel materiaal, moet u steeds controleren dat dit versterkt is en vacuumbestendig, om te vermijden dat deze zou vernauwen ten gevolge van de aanzuiging.

Bij vaste installaties raden wij aan een afsluitklep te installeren zowel op de aanzuig- als persaansluiting, zodat de stroomopwaarts en/of stroomafwaarts lijn van de pomp kan worden afgesloten voor onderhouds- en schoonmaak interventies, of gedurende periodes waarin de pomp niet wordt gebruikt.

De pomp is aan de ingang uitgerust met draaibare aansluitingen, (3) en (4), voor een eenvoudige installatie.

Indien u tuinslangen wenst te gebruiken is een bochtstuk fig.1 vereist en de tuinkit bestaande uit een slang in PE en een kit voor aansluiting van het spuitstuk (niet bijgeleverd, maar afzonderlijk aan te kopen).

In omstandigheden met aanwezigheid van onzuiverheden van kleine afmetingen raden wij aan om buiten de geïntegreerde filter (1) ook een filter te plaatsen aan de pompingang, geïnstalleerd op de aanzuigbuis.

- De motor mag niet te vaak opstarten per uur: wij raden strikt aan het maximum aantal van 20 starten/uur niet te overschrijden.



De diameter van de aanzuigbuis moet groter of gelijk zijn aan de diameter van de aansluitmond van de elektropomp, zie Tabel 3.

7. ELEKTRISCHE AANSLUITING



Zich verzekeren dat de netspanning met datgene overeenkomt die op het motor naamplaatje is aangegeven en dat het mogelijk is EEN GOEDE AARD VERBINDING TOT STAND TE BRENGEN. **Respecteer de aanduidingen op het typeplaatje en in deze handleiding, tabel 3.**

De lengte van de voedingskabel van de pomp beperkt de installatie-afstand. Bij gebruik van verlengstukken moet u controleren dat deze van hetzelfde type zijn (bv. H05 RN-F of H07 RN-F afhankelijk van de installatie) zie tab.3.

8. STARTEN



Start de pomp niet op zonder dat zij volledig gevuld is met vloeistof (circa 4 liter): er moet vloeistof uit de ontluuchtingsdop stromen (2).

Trek de stekker onmiddellijk uit het stopcontact wanneer de vloeistof op is, om de pomp uit te schakelen. Vermijd een droge werking.

1. Alvorens de pomp op te starten moet u ervoor zorgen dat ze correct aanzuigt. Verwijder de transparante vuldop van de filter (1) met uw handen of met het bijgeleverde accessoire en vul de pomp met zuiver water via de specifieke opening. Open tegelijkertijd ook de ontluuchtingsdop (2) om de lucht te laten ontsnappen. Deze handeling is van groot belang voor een perfecte pomp functionering, onmisbaar om de mechanische houding gesmeerd te houden. **Een droge functionering brengt onherstelbare schade aan de mechanische houding.**
2. De vuldop moet vervolgens correct worden vastgedraaid tot aan de stop (1), evenals de ontluuchtingsdop (2).
3. Steek de stekker van de voedingskabel in een 220-240V stopcontact. **Opgelet!** De motor van de pomp zal onmiddellijk opstarten: het water zal uit de pomp beginnen lopen na max. 3 minuten. Het tijdsinterval is afhankelijk van de diepte van het waterpeil, van de put of tank.
4. De pomp zal blijven werken en water wegpompen. **Opgelet!** Vermijd droge werking.
5. Schakel de pomp uit door de stekker uit het stopcontact te trekken.



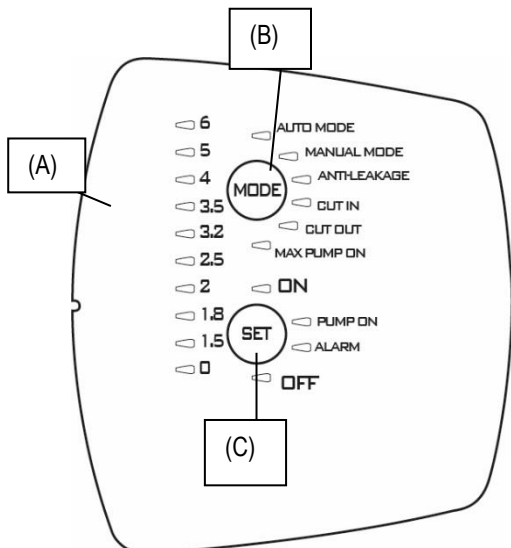
Indien er problemen optreden tijdens het aanzuigen moet u de handeling herhalen totdat alle opgezogen lucht werd verwijderd.

9. ELEKTRONISCHE INTERFACE VOOR BEHEER

9.1 Overzicht van de kenmerken

Beschrijving	Parameters
Spanning, frequentie kaart	1x220-240V, 50/60 Hz
Aanduiding spanning on/off	●
Aanduiding motor on/off	●
Aanduiding Alarmen	●
Aanduiding Druk	●
Aanduiding Mode (Modus)	●
Auto Mode (Automatische modus)	●
Manual Mode (Manuele modus)	○
Beveiliging tegen droge werking	●
Antilek-beveiliging	○
Beveiliging Max pump on	○ (30 minuten)
Cut-in druk	○ variabel (1,5 – 3,0bar)
Cut-out druk	○ (Cut-in + 1 bar)
Zelfaanzuigend	●
Keuzeknoppen	●

● = Vast; ○ = Selecteerbaar



9.1.1 Beschrijving van het display:

(A) Waarschuwingsleds voor druk

10 leds fungeren als drukaanwijzer van 0 tot 6 bar. De leds zullen aan- en uitschakelen afhankelijk van de druk in het systeem.

Funcctie	Configuratie display	Set	Reset Alarm
Auto Mode		ON: aangeschakeld OFF: uitgeschakeld	
Manual mode		ON: aangeschakeld OFF: uitgeschakeld	
Anti-leakage		ON: aangeschakeld OFF: uitgeschakeld	Druk op SET
Cut in		Vermeerder/Verminder	
Cut out		Vermeerder/Verminder OFF: uitgeschakeld	
Max pump on		ON: aangeschakeld OFF: uitgeschakeld	Druk op SET

(B) Keuzeknop MODUS

Instelbare modi:

- | | |
|-------------------|-----------------|
| 1) AUTO_MODE; | 4) CUT_IN; |
| 2) MANUAL_MODE; | 5) CUT_OUT, |
| 3) ANTI LEACKAGE; | 6) MAX_PUMP_ON; |

Om de functie-instelling op "MODE" te deblokken moet u de toets "MODE" indrukken voor 5 seconden.

Druk op "MODE" om door de verschillende werkmodi (AUTO_MODE of MANUAL_MODE) te visualiseren, om de parameters (CUT IN en CUT OUT) te wijzigen of om bepaalde functies (ANTI-LEAKAGE en MAX PUMP ON) aan te schakelen. Tijdens het scrollen zullen de leds van de geselecteerde functie knipperen. Eens dat de AUTO_MODE terug werd ingesteld zullen de actieve functies worden aangeduid doordat het betreffende led ononderbroken brandt. Zie paragraaf 2 (Beschrijving van de functies).

Waarschuwingsleds "MODE"

AUTO MODE: de pomp werkt in de automatische modus, zie 9.2.1

MANUAL MODE: de pomp werkt in de manuele modus, zie 9.2.1, de gebruiker beslist wanneer de pomp aan of uit te schakelen via de knop "SET". SET-ON aan SET-OFF uit.

CUT-IN: drukinstelling (steeds aangeschakeld) voor minimum, onder deze drukwaarde wordt de pomp aangeschakeld, instelbaar tussen 1.5 en 3.0 bar, fabrieksinstelling 1.8 bar; de pomp wordt tevens aangeschakeld indien het debiet lager is dan de minimumwaarde 1.5 l/min ingesteld op de fabriek.

CUT-OUT: drukinstelling (uitgeschakeld) boven deze drukwaarde zal de pomp stoppen, fabrieksinstelling ingesteld op "CUT-IN" + 1 bar, maar kan verhoogd worden tot 3.5 bar (50.8 psi).

Voor aanschakeling moet u de functie selecteren door indrukking van de "MODE" toets totdat het overeenkomstige CUT-OUT led knippert, en:

- 1) druk SET **10 seconden** in om de functie te ontgrendelen (de leds van de drukwaarden zullen nu zijn gaan branden),
- 2) druk op SET om de gewenste waarde te selecteren,
- 3) om de functie te deactiveren, zet de cut-outwaarde op 0 [bar of psi].
- 4) sluit de instelling af door op MODE te drukken.

OPMERKING: de waarde van CUT-OUT kan ALLEEN worden gewijzigd nadat de functie is ontgrendeld door de toets SET 10 seconden in te drukken. Als er geen enkele knop wordt ingedrukt, wordt de functie na 1 seconde weer vergrendeld.

ANTI-LEAKAGE: antilek-beveiliging. De functie kan worden aan- en uitgeschakeld. Ze is per default uitgeschakeld. Wanneer de functie is aangeschakeld en de pomp in 2 minuten meer dan 6 maal opstart, dan zal ze stoppen en wordt dit gemeld via de traag knipperende rode "ALARM" LED.

Voor aanschakeling moet u de functie selecteren door indrukking van de "MODE" toets, totdat het overeenkomstige led knippert, en vervolgens op SET drukken totdat de "ON" led brandt. Druk om uit te schakelen op SET totdat de OFF led brandt.

Nadat de oorzaak werd verwijderd moet u het alarm, indien nog aanwezig, terug resetten: zie 9.2.3.

MAX PUMP ON: maximum bedrijfsperiode. De functie kan worden aan- en uitgeschakeld. Ze is per default uitgeschakeld. Wanneer de functie is aangeschakeld en de pomp werkt voor meer dan 30 minuten, dan zal ze stoppen zonder foutmelding.

Deze functie wordt gebruikt om de installatie te beschermen mocht er per ongeluk een kraan blijven openstaan, een buis stukgaan of in geval van irrigatietoepassingen.

Voor aanschakeling moet u de functie selecteren door indrukking van de "MODE" toets, totdat de led van de functie MAX PUMP ON brandt, en vervolgens op SET drukken totdat de "ON" led brandt. Druk om uit te schakelen op SET totdat de OFF led brandt.

(C) SET toets voor selectie

Instelbare modi:

- 1) Reset alarmen.
- 2) Aan-/Uitschakelen in MODUS (MAX_PUMP_ON, ANTILEAKAGE).
- 3) Vermeederen parameters in MODUS (CUT_IN; CUT_OUT).
- 4) Motor ON/OFF in MANUELE MODUS.
- 5) Pomp aan/pomp in stand-by in AUTO MODUS.

Druk op "SET" om de parameters te wijzigen. Indien de led brandt op de CUT IN of CUT OUT MODUS, moet de waarde worden weergegeven op de ledbalk voor drukaanduiding. Druk op "SET" om de waarde te vermeerderen. Na instelling van de gewenste waarde moet u de instelling verlaten door op "MODE" te drukken en door de led terug in te stellen op AUTO MODE en met SET "ON" aangeschakeld.

Druk op SET om de functies Anti-leakage en Max pump On aan en uit te schakelen. Na selectie van de functie met de MODE toets kan u deze aanschakelen via SET-ON en uitschakelen via SET-OFF.

In MANUAL heeft de SET toets de functie om de pomp aan- of uitschakelen, de led brandt op "On" of "OFF".

In AUTO heeft de SET toets de functie om de pomp aan te schakelen "ON" of in stand-by te zetten "OFF".

PUMP ON: aanduiding voor motor werkzaam.

9.2 Beschrijving van de functies

9.2.1 Pomp ON/OFF (AUTO MODE, MANUAL MODE)

Cut out uitgeschakeld → Nadat de stekker in het stopcontact werd gestoken en de test van de leds werd uitgevoerd, zal de pomp gedurende 10 seconden aanschakelen.

Cut out aangeschakeld → Nadat de stekker in het stopcontact werd gestoken wordt een test uitgevoerd op de leds gedurende de eerste 3 seconden (het branden van led 0 duidt steeds op de aanwezigheid van elektrische voeding) en wordt de defaultwaarde ingesteld voor "AUTO MODE". De led "ON" brandt. De pomp begint te werken wanneer de druk lager is dan de CUT-IN waarde en het debiet lager dan het minimumdebiet voor cut-in. De pomp blijft werken zolang de druk lager is dan de CUT-OUT waarde. Wanneer

deze waarde wordt bereikt wordt de pomp uitgeschakeld, onafhankelijk van het debiet.

Bij selectie van de "**MANUAL MODE**", zal door eenmalige indrukking van de "**MODE**" toets de pomp opstarten, indien de "**ON**" led brandt. Zo niet zal bij indrukking van "**SET**" de pomp worden uitgeschakeld en zal de "**OFF**" led gaan branden.

Wanneer de pomp begint te werken, gaat ze over naar de modus OPZUIGEN.

NB: Controleer dat de instructies voor installering werden gevolgd en dat de pomp volledig werd gevuld met water.

9.2.2 Aanzuigfase

Wanneer de pomp in werking treedt gaat zij over tot de aanzuigfase. Indien ze tijdens deze fase geen debiet of druk registreert, zal de motor gedurende 3 minuten blijven aangeschakeld. Na deze periode wordt het alarm "droge werking" geactiveerd. Indien de pomp debiet en druk registreert tijdens deze fase gebeurde de aanzuiging op een normale wijze en zal de pomp normaal werken.

9.2.3 Reset alarmeren

Wanneer er een alarm optreedt zal de rode led "**ALARM**" gaan branden. Het alarm wordt gereset door éénmaal de "**SET**" toets in te drukken, indien de oorzaak werd verholpen zal de werking op een normale wijze worden voortgezet, zo niet zal het alarm terug worden gegenereerd.

9.2.4 Aanduiding spanning ON/OFF

Bij aanwezigheid van netspanning zal de led 0 branden op de ledbalk voor drukaanduiding. Bij afwezigheid van elektrische voeding zal deze led zijn uitgeschakeld.

NB: Voor langdurige periodes van buitendienststelling raden wij aan de stekker uit het stopcontact te verwijderen.

9.2.5 Aanduiding pomp ON/OFF

Wanneer de motor werkt moet het blauwe lampje op "**PUMP ON**" branden, wat de werking aanduidt. Wanneer de motor stopt, zal deze led zijn uitgeschakeld.

9.2.6 Aanduiding alarmeren

Een rood ononderbroken brandend lampje of knop op "**ALARM**" wordt geactiveerd wanneer er een alarm optreedt.

Droge werking (Dry-running): rood ononderbroken brandend lampje.

Lekken (Leakage): traag knipperend.

Max Pump ON (pomp werkzaam voor meer dan 30 minuten): 2 snelle knipperflitsen met daartussen een langere pauze.

Druk op "SET" om de alarmeren te resetten.

9.2.7 Beveiliging tegen droge werking (Dry running protection)

Indien de pomp droog werkt wordt zij na enkele seconden (40 sec.) gestopt en zal er een foutmelding optreden: rood ononderbroken brandend controlelampje op "**ALARM**".

Na de eerste 30 min dat de pomp zich in OFF bevindt, wordt opnieuw geprobeerd ze op te starten gedurende 5 min. Indien dit niet lukt zal er elke 30 min opnieuw getracht worden de pomp op te starten. Deze poging wordt herhaald voor maximum 48 maal. Indien ook deze pogingen mislukken zal er een poging om de 24 uur plaatsvinden.

Het toestel zal automatisch de alarmtoestand voor droge werking verlaten indien er debiet en/of druk aanwezig is.

Indien het alarm wordt gereset, zie 9.2.3, zal er een nieuwe poging plaatsvinden gedurende 40 sec.

Verwijder de oorzaken en reset het alarm, zie 9.2.3.

9.2.8 Antilek-beveiliging (ANTI-LEAKAGE)

De functie kan worden aan- of uitgeschakeld. Per default wordt ze op de fabriek uitgeschakeld. Wanneer de functie is aangeschakeld en de pomp in 2 minuten meer dan 6 maal opstart, dan zal ze stoppen en wordt dit gemeld via de traag knipperende rode "**ALARM**" LED.

Verwijder de oorzaken en reset het alarm, zie 9.2.3.

Voor de activeringsprocedure, zie Anti-leakage.

9.2.9 Max pump on

Maximum bedrijfsperiode. De functie kan worden aan- en uitgeschakeld. Ze is per default uitgeschakeld. Wanneer de functie is aangeschakeld en de pomp werkt voor meer dan 30 minuten, dan zal ze stoppen en knippert de ALARM led.

Deze functie wordt gebruikt om de installatie te beschermen mocht er per ongeluk een kraan blijven openstaan, een buis stukgaan of in geval van irrigatietoepassingen.

9.2.10 Alarm druksensor

Een alarm voor de druksensor wordt gegenereerd op het toestel indien de drukwaarde buiten de bereik (0-15 bar) valt. De pomp wordt uitgeschakeld, de fout wordt gereset wanneer de drukcondities terugkeren binnen de range.

9.3 Eerste start

9.3.1 Test van de leds

Bij de eerste start of hoe dan ook nadat de stekker in het stopcontact werd gestoken worden de 20 leds getest gedurende enkele seconden (alle leds gaan opeenvolgend branden).

9.3.2 Eerste aanzuiging

De pomp gaat automatisch naar de **AUTO** mode en wordt ingesteld op **ON**.

Drie condities zijn mogelijk:

- 1) Debiet aanwezig maar lage druk: aanzuigfase wordt beëindigt en normale werking begint.
- 2) Druk maar geen debiet: na 10 sec dat deze conditie aanhoudt zal de pomp zich uitschakelen.
- 3) Geen debiet en geen druk: de pomp zal zich automatisch uitschakelen en er verschijnt een foutmelding Droge werking na circa 3 minuten, aangeduid door de brandende rode led in SET-ALARM. Verwijder de oorzaken en reset het alarm, zie 9.2.3.

9.4 Normale handelingen met CUT-OUT uitgeschakeld (default)

Cut-out uitgeschakeld betekent dat de volgende condities zich voordoen:

- De pomp wordt aangeschakeld indien er debiet aanwezig is of door afwezigheid van druk, bij een druk lager dan de CUT IN waarde (in 10 ms).
- De pomp wordt gestopt indien de conditie druk aanwezig maar debiet afwezig continu aanhoudt gedurende 10 s.

De CUT OUT led is uitgedoofd tijdens de normale werking. Zie 9.1.1.B voor de wijziging van de instelling.

9.5 Normale handelingen met CUT-OUT aangeschakeld

Cut-out aangeschakeld betekent dat de volgende condities zich voordoen:

- De pomp wordt geactiveerd indien de druk lager is dan de CUT IN waarde.
- De pomp wordt gestopt indien de druk hoger is dan de CUT OUT waarde.

De CUT OUT led brandt tijdens de normale werking. Zie 9.1.1.B voor de wijziging van de instelling.

10. VOORZORGSMAATREGELEN

BEVRIEZINGSGEVAAR: wanneer de pomp buiten werking blijft bij een temperatuur lager dan 0°C, moet men er voor zorgen dat er geen waterresten in de pomp kunnen bevriezen, waardoor er barsten zouden kunnen ontstaan in de plastic onderdelen.

Indien de pomp werd gebruikt met vloeistoffen die neerslaan of met bleekwater, dan moet ze na gebruik worden gespoeld met behulp van een krachtige waterstraal, om neerslag- of korstvorming te vermijden, wat zou leiden tot de vermindering van de pompprestaties.

11. ONDERHOUD EN REINIGING

Bij de normale werking vereist de elektropomp geen enkel onderhoud. In ieder geval mogen alle reparaties en onderhoudswerkzaamheden pas worden uitgevoerd nadat de pomp is afgekoppeld van het voedingsnet. Wanneer de pomp terug wordt opstart moet u controleren dat alles correct werd gemonteerd, om geen gevaar te berokkenen aan personen of zaken.

11.1 Schoonmaak van de aanzuigfilter (Afbeelding.3)

- De elektrische voeding van de pomp uitschakelen.
- Dreneer de pomp, open de afvoerdop (6) nadat de overliggende luiken (indien aanwezig) werden gesloten.
- Draai de dop van de filterkamer los met de handen of met het bijgeleverde accessoire.
- Verwijder de filtereenheid naar boven toe.
- Spoel de beker onder stromend water en maak de filter schoon met een zachte borstel.
- Monteer de filter terug door de handelingen in de omgekeerde volgorde uit te voeren.

11.2 Schoonmaak van de terugslagklep (Afbeelding.4)

- De elektrische voeding van de pomp uitschakelen.
- Verwijder de dop van de terugslagklep (5) met het bijgeleverde accessoire.
- Maak de terugslagklep schoon en verwijder aanwezige vuiltjes.
- Assembleer de onderdelen terug in de omgekeerde volgorde.

12. PROBLEMEN OPSPOREN



Voordat begonnen wordt met het opsporen van storingen, moet de pomp eerst losgekoppeld worden van het elektriciteitsnet (door de stekker uit het stopcontact te halen). Indien de voedingskabel of een elektrisch onderdeel van de pomp beschadigd zijn, mogen deze alleen door de fabrikant of diens technische klantenservice of door een iemand met gelijke bevoegdheid.

ONGEMAKKEN	ONDERZOEKEN (mogelijke oorzaak)	OPLOSSINGEN
1. De motor start niet en maakt geen lawaai.	A. Elektrische aansluitingen nagaan. B. Nagaan dat de motor onder druk staat. C. De bescherming zekeringen. D. Controleer of de thermische beveiliging werd geactiveerd.	C. Indien verbrandt vervangen. D. Wacht 20 min totdat de motor is afgekoeld. Ga na wat de oorzaak ervan is en verwijder deze. N.B.: het eventueel zich direct herhalen van het mankement kan betekenen dat de motor in kortsluiting staat.
2. De motor start niet maar doet lawaai.	A. Zich verzekeren dat de netspanning overeenkomt met datgene wat er op het naamplaatje staat. B. Onderzoek naar mogelijke verstoppingen van de motor of van de pomp. C. Controleer dat de as niet geblokkeerd zit. D. Nagaan de toestand van de condensator.	B. Verstoppingen verwijderen. C. Gebruik het bijgeleverde accessoire om het deksel los te draaien en bevrijd de as met behulp van een schroevendraaier. D. De condensator vervang.

NEDERLANDS

3. De motor draait moeilijk.	A. Zich verzen dat er geen onvoldoende voeding spanning is. B. Nagaan mogelijke wrijvingen tussen de bewegende en vaste delen.	B. Zorgen om de wrijvingen oorzaken op te sporen.
4. De pomp werkt.	A. De pomp is niet correct aangesloten.. B. Onvoldoende diameter van de opzuigingsbuis. C. De terugslagklep of filter zit verstopt.	A. Vul de pomp met water en zorg voor de aanzuiging. De lucht kan ontsnappen doordat de ontluuchtingsdop wordt losgedraaid. B. Buis vervangen met een van grotere diameter. C. Maak de filter schoon en indien dit niet volstaat ook de terugslagklep.
5. De pomp vist niet..	A. De luchtaanzuiging gebeurt via de aanzuigbuis. B. De negatieve helling van de opzuigingsbuis vergemakkelijkt de vorming van luchtzakken.	A. Elimineer dit fenomeen door de dichting van de aansluitingen en van de aanzuigbuis te controleren. Herhaal de handelingen voor vloeistofaanzuiging. B. De helling van de buis herstellen.
6. De pomp voert een onvoldoende druk uit.	A. De aanzuigbuis zit verstopt. B. De draaier is versleten of verstopt. C. Opzuigingbuis met onvoldoende diameter.	A. Maak de aanzuigbuis terug schoon. B. De verstoppingen verwijderen of de versleten delen vervangen. C. De buis vervangen met een van grotere diameter.
7. De pomp trilt met een rumoerige geluid.	A. Nagaan dat de pomp en de buizen goed zijn aangesloten. B. De pomp heeft een holte d.w.z. er is meer water nodig dan opgepompt kan worden. C. De pomp werkt meer dan wat aangegeven staat.	A. Met meer zorg de losgekomen delen vastmaken. B. De opzuiging hoogte beperken of drukbelasting controleren. C. Kan nuttig zijn de belasting te beperken.

13. GARANTIE



Elke wijziging waarvoor geen voorafgaande toestemming verkregen is, ontheft de fabrikant van iedere verantwoordelijkheid. Alle vervangingsonderdelen die worden gebruikt bij reparaties moeten originele onderdelen zijn, en alle accessoires moeten geautoriseerd zijn door de fabrikant, zodanig dat de maximale veiligheid van de machines en van de installaties waarop zij gemonteerd kunnen worden, wordt gewaarborgd.

Dit product wordt gedekt door een wettelijk voorziene garantie (in de Europese Gemeenschap gedurende 24 maanden, met ingang op de aankoopdatum) voor alle storingen te wijten aan fabricagefouten of gebruikt materiaal.

Het product kan gratis worden vervangen door een perfect werkend product of gratis worden hersteld wanneer de volgende condities zich voordoen:

- Het product correct werd gebruikt, conform de instructies en er geen poging werd ondernomen voor herstelling door de koper zelf of derden.
- Het product werd overhandigd aan het verkooppunt, samen met het aankoopbewijs (factuur of kassabon) en een korte beschrijving van het opgetreden probleem.

Het vliegwiel en de onderdelen onderhevig aan slijtage worden niet gedekt door de garantie. De uitvoering van interventies tijdens de garantieperiode resulteert nooit in de verlening van deze periode.

INNHOLDSFORTEGNELSE

1. ANVENDELSER.....	130
2. VÆSKER SOM KAN PUMPES.....	131
3. TEKNISKE SPESIFIKASJONER OG BEGRENSNINGER FOR BRUK	131
4. BEHANDLING.....	131
4.1 Lagring	131
4.2 Transport	131
4.3 Vekt og dimensjoner.....	131
5. ADVARSLER	131
6. INSTALLASJON	132
7. ELEKTRISK TILKOPLING.....	132
8. OPPSTART	132
9. ELEKTRONISK STYRINGSGRENSESNIITT	132
9.1 Oversikt over de tekniske egenskapene.....	133
9.1.1 Beskrivelse av displayet.....	133
9.2 Beskrivelse av funksjonene	134
9.2.1 Pumpe ON/OFF (AUTO MODE, MANUAL MODE)	134
9.2.2 Fyllefasen	135
9.2.3 Reset - nullstilling av alarmer.....	135
9.2.4 Spenningsindikasjon ON/OFF	135
9.2.5 Pumpeindikasjon ON/OFF	135
9.2.6 Alarmindikasjon.....	135
9.2.7 Beskyttelse mot tørrkjøring (Dry running protection)	135
9.2.8 Lekkasjebeskyttelse (ANTI-LEAKAGE)	135
9.2.9 Max pump on	135
9.2.10 Trykksensoralarm	135
9.3 Første oppstart	135
9.3.1 Test av LED-lampene	135
9.3.2 Første gangs fylling.....	135
9.4 Normal drift med CUT-OUT deaktivert (fabrikkinnstilt).....	135
9.5 Normal drift med CUT-OUT aktivert	136
10. FORHOLDSREGLER.....	136
11. VEDLIKEHOLD OG RENGJØRING	136
11.1 Rengjøring av sugefilter	136
11.2 Rengjøring av NRV	136
12. PROBLEMLØSNING	136
13. GARANTI	137

ADVARSLER



Før du installerer, les all dokumentasjonen nøye.



Før man gjør inngrep, uansett art, trekk ut kontakten. Unngå enhver form for tørrkjøring.



Beskytt den elektriske pumpen mot vær og vind.



Overbelastningsvern Pumpen er utstyrt med et termisk overbelastningsvern. Ved en eventuell overoppheting av motoren, vil overbelastningsvernet slå av pumpen automatisk. Kjøletiden er ca. 15-20 minutter, etter dette slår pumpen seg på igjen automatisk. Etter inngrep fra overbelastningsvernet er det helt nødvendig å finne årsaken, og eliminere den. Konsulter Problemløsning.

1. ANVENDELSER

Selvsugende jetbasert sentrifugalpumpe med god sugeevne selv når det er kullsyreholdig vann tilstede. Spesielt egnet til vannforsyning og trykksetting til hytter. Egnert til mindre hage-/gårdsbruk, nødssituasjoner i hjemmet og generelt hobbybruk. Takket være den kompakte og enkle formen, kan de også brukes som bærbare pumper for alle ulike typer nødssituasjoner som for eksempel pumping av vann fra vanntanker eller elver. **Se hurtigveiledningen hvis produktet har Wifi.**



Disse pumpene kan ikke brukes i svømmebasseng, dammer, reservoarer der det er personer tilstede, eller til å pumpe hydrokarboner (bensin, diesel, fyringsoljer, løsemidler, etc.) i samsvar med gjeldende sikkerhetsforskrifter. Før man setter pumpen på lager, anbefales det å rengjøre den. Se kapittelet «Rengjøring og vedlikehold».

2. VÆSKER SOM KAN PUMPES

Ren, uten faste eller slipende kroppor, ikke-aggressive.

Ferskvann	•
Regnvann (filtrert)	•
Klart vann uten avfallsstoffer	○
Skittent vann	○
Fontenevann (filtrert)	•
Vann fra elver eller innsjøer (filtrert)	•
Drikkevann	•

Tabell 1

- Eget
- Ikke eget

3. TEKNISKE SPESIFIKASJONER OG BEGRENSNINGER FOR BRUK

- **Forsyningsspenning:** 220-240V, se skiltet med elektriske data.
- **Forsinkede kurssikringer (versjon 220-240V):** referanseverdier (Ampere).
- **Lagringstemperatur:** -10°C +40°C.

Modell	Kurssikringer 220-240V 50Hz
P1= 850	4
P1= 1100	6
P1= 640	4
P1= 920	6

Tabell 2

	Modell	P1=850	P1=1100	P1=640	P1=920
Elektriske data	P1 Nominelt strømforbruk [W]	850	1100	640	920
	P2 [W]	600	750	380	560
	Nettspenning [V]	1~220-240 AC			
	Nettfrekvens [Hz]	50			
	Strøm [A]	3.88	4.58	3.10	4.20
	Kondensator [uF]	12.5	16	16	12.5
	Kondensator [Vc]	450			
Hydrauliske data	Makskapasitet [l/t]	3180	3750	3600	4800
	Maks trykkehøyde [m]	43	45	32	40
	Maks trykkehøyde [bar]	4.3	4.5	3.2	4.0
	Maks trykk [bar]	6			
	Maks sugedybde [m/min]	8m / <3min		6m / <3min	
Bruksområde	Lengde strømkabel [m]	1.5			
	Type kabel	H07 RNF			
	Beskyttelsesgrad motor	IP X4			
	Isolasjonsklasse	F			
	Område for væsketemperatur [° C] ifølge standarden EN 60335-2-41 for hjemmebruk	0 °C / +35 °C			
	Partikkelstørrelse maks. [mm]	rent vann			
	Maks omgivelsestemperatur [°C]	+40 °C			
Vekt	DNM GASS	1" M			
	Nettovekt/bruttovekt ca. [kg]	9.6/11.8	10.3/12.5	10.1/12.1	10.9/12.9

Tabell 3



Pumpen kan ikke bære vekten av rørene/slangen, så disse må støttes opp på annen måte.

4. BEHANDLING

4.1 Lagring

Alle pumper må oppbevares innendørs, på et tørt sted, om mulig ved jevn luftfuktighet, uten vibrasjoner og støv. De leveres i originalemballasjen og må fortatt oppbevares der helt til installasjonstidspunktet.

4.2 Transport

Unngå å utsette produktene for unødvendige støt og slag.

4.3 Vekt og dimensjoner

Den selvklebende etiketten på emballasjen har angivelser om den totale vekten på den elektriske pumpen, og dimensjonene.

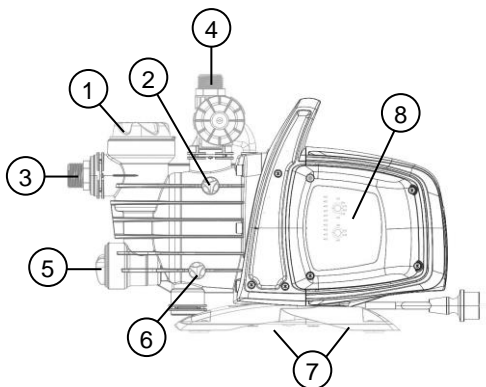
5. ADVARSLER



Pumpene må aldri transporteres, løftes, eller henges opp ved hjelp av strømleningen. Bruk istedet håndtaket.

- Pumpen må aldri tørrkjøres.
- Det anbefales å åpne/lukke lufte- og tømmepluggene (2 og 6) uten å bruke for stor kraft.

6. INSTALLASJON



1. Forfilter
2. Ventilasjonsplugg
3. Tilkobling av roterbart sug
4. Tilkobling utløp
5. Integret tilbakeslagsventil
6. Dreneringslokk
7. Vibrasjonshemmende gummiføtter
8. Elektronisk styringsgrensesnitt

Pumpen må installeres på et sted beskyttet mot vær og vind, med en omgivelsestemperatur som ikke overstiger 40° C.

Pumpen er utstyrt med vibrasjonshemmende gummiføtter, men ved faste installasjoner, kan disse fjernes og man i stedet bruke en forankring til det stedet pumpen er plassert på (7).

Unngå at rørene overføre for stor belastning til pumpeåpningene (3) og (4), slik at man ikke får deformasjon og brudd.

Det er alltid en god rutine å plassere pumpen så nær som mulig den væsken som skal pumpes.

Pumpen må installeres i horisontal stilling.

Rørene må aldri ha en diameter som er mindre enn åpningene til den elektriske pumpen og suget; pumpen er utstyrt med filter (1) og tilbakeslagsventil (NRV) (5).

Ved sugedybder på mer enn fire meter eller med lange horisontale strekninger, anbefales bruk av en sugeslange med en større diameter enn sugeåpningen på den elektriske pumpen. For å unngå dannelse av luftlommer i sugeslangen, sørg for en svak positiv helning for sugeslangen mot pumpen. Fig. 2

Hvis sugeslangene er av gummi eller annet fleksibelt materiale, må man alltid kontrollere at materialet er forsterket, og vakuumbestandig, for å unngå innsnevninger på grunn av sugeeffekten.

Ved fast installasjon anbefaler vi at du installerer en lukkeventil på sugesiden, så vel som på som er på trykksiden. Dette gjør det mulig å stenge linjen oppstrøms og/eller nedstrøms, noe som er nyttig for alle vedlikeholds- og rengjøringsoperasjoner, og for perioder der pumpen ikke er i bruk. Pumpen er utstyrt med roterbare innganger for å forenkle installasjonen. (3) og (4) Ved fleksible slanger, bruk om nødvendig en sving som i fig. 1, og et hagesett som består av slanger av polyetylen, og vanningssett med tut, som ikke følger men, men må kjøpes separat.

Når det er finkornet smuss tilstede, anbefales det tillegg til det innebygde filteret (1), å bruke et filter for pumpeinnløpet, som monteres på sugeslangen/-røret.

- Ikke utsett motoren for hyppige oppstarter per time. Det anbefales på det sterkeste å ikke overstige 20 oppstarter per time.



Diameteren på sugeslangen må være større eller lik diameteren til åpningen til elektriske pumpen, se tabell 3.

7. ELEKTRISK TILKOPLING



Kontroller at spenningen tilsvare den på skiltet på den motoren som trenger strøm, og at det er mulig å jorde korrekt. Følg anvisningene på det tekniske dataskiltet, og i denne håndboken, tabell 3.

Lengden på strømkabelen på pumpen begrenser installasjonsavstanden, dersom man trenger en skjøteledning, må man forsikre seg om at den er av samme type (f.eks. H05 RN-F eller H07 RN-F avhengig av installasjonen), se tab..3.

8. OPPSTART



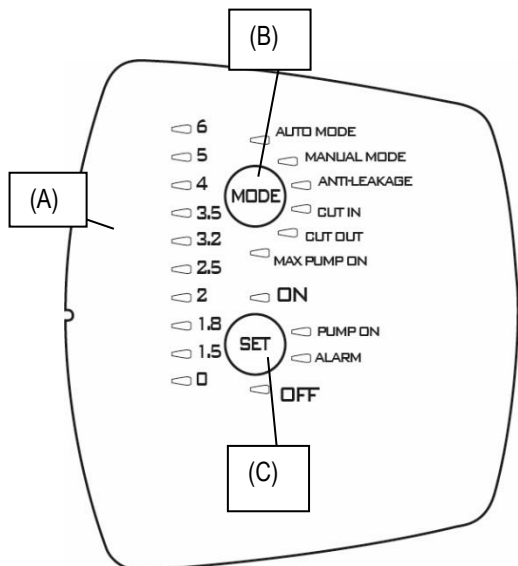
Ikke start pumpen før den er helt fylt med væske, cirka 4 liter, og det kommer væske ut av luftpuggen (2). Dersom det blir tomt for vann, trekk ut kontakten med en gang for å slå av pumpen. Unngå all tørrkjøring.

1. Før oppstart, sjekk at pumpen er riktig primet regelmessig, slik at den er helt fylt med rent vann gjennom åpningen, etter at man har fjernet noe som gir den totale fylling, med rent vann, gjennom hullet, etter fjerning av lokket for påfylling ved det gjennomsiktige filteret (1), for hånd, eller ved hjelp av det medfølgende instrumentet. Åpne samtidig også ventilasjonspluggen (2) for å slippe ut luft. Denne operasjon er viktig for riktig funksjon av pumpen, noe som er grunnleggende for at den mekaniske tetningen skal være godt smurt. **Tørrkjøring vil føre til ødeleggende skader på den mekaniske tetningen.**
2. Fyllepluggen må skrues ordentlig på plass helt til den stopper (1), og det samme gjelder ventilasjonspluggen (2).
3. Sett støpslet til strømledningen inn i en 220-240V kontakt. **OBS!** Pumpemotoren starter umiddelbart. Vannet vil begynne å komme ut etter maksimalt 3 minutter, noe som vil være avhengig av dybden på vannivået i brønnen eller tanken.
4. Pumpen vil fortsette å være i drift og levere vann. **OBS!** Forebygg tørrkjøring.
5. For å slå av pumpen, trekk ut støpslet fra strømkontakten.



Dersom det oppstår problemer med klargjøring/forhåndsfilling, gjenta behandlingen helt til all luft inne i suget er borte.

9. ELEKTRONISK STYRINGSGRENSESNITT



9.1 Oversikt over de tekniske egenskapene

Beskrivelse	Parametere
Spenning/frekvens kort	1x220-240V, 50/60 Hz
Spenningsangivelse on/off	●
Motorangivelse on/off	●
Alarmindikasjon	●
Trykkindikasjon	●
Modusindikasjon	●
Auto Mode	●
Manual Mode	○
Beskyttelse mot tørrkjøring	●
Lekkasjebeskyttelse	○
Beskyttelse Max pump on	○ (30 minutter)
Grense for Cut-in (trykkaktivering)	○ Variabel (1,5 – 3,0 bar)
Grense for Cut-out (trykkdeaktivering)	○ (Cut-in + 1 bar)
Automatisk fylling	●
Valgknapper	●

● = Fast; ○ = Kan velges

9.1.1 Beskrivelse av displayet:

(A) LED-varsellamper for trykk

10 LED-lamper brukes for å indikere trykk fra 0 til 6 bar. Når trykket i systemet endres, vil LED-lampene tennes eller slukkes for å reflektere dette.

Funksjon	Konfigurasjon av displayet:	Set	Reset Alarm
Auto Mode		ON: Aktiver OFF: Deaktiver	
Manual mode		ON: Aktiver OFF: Deaktiver	
Anti-leakage		ON: Aktivert OFF: Deaktivert	Trykk på SET
Cut in		Øk/reducer	
Cut out		Øk/reducer OFF: deaktivert	
Max pump on		ON: aktivert OFF: deaktivert	Trykk på SET

(B) Knapper for valg av MODE

Modus som kan velges:

- | | |
|-------------------|-----------------|
| 1) AUTO_MODE; | 4) CUT_IN; |
| 2) MANUAL_MODE; | 5) CUT_OUT, |
| 3) ANTI LEACKAGE; | 6) MAX_PUMP_ON; |

For å frigjøre funksjonsvalget i «MODE», trykk på tasten «MODE» i 5 sekunder.

Trykk på «MODE» for å bla gjennom de ulike funksjonmodusene (AUTO_MODE eller MANUAL_MODE), eller parameterne som må (CUT IN og CUT OUT), eller for å aktivere visse funksjoner (ANTI-LEAKAGE og MAX PUMP ON). Når du blar, vil LED-lampen for den valgte funksjonen blinke. Når man er tilbake i AUTO_MODE vil de aktive funksjonene bli markert med den tilhørende LED-lampen tent. Se avsnitt 2 (Beskrivelse av funksjonene).

Indikatorer for «MODE»

AUTO MODE: pumpen vil fungere i automatisk modus, se 9.2.1

MANUAL MODE: pumpen fungerer i manuell modus, se 9.2.1, og brukeren bestemmer når den skal slås på og av ved å trykke på «SET». SET-ON på SET-OFF av.

CUT-IN: innstilling (alltid aktivert) av minimumstrykk, - under denne verdien, kan stilles til verdier fra 1,5 til 3,0 bar, fabrikkinnstillingen er 1.8 bar. Pumpen aktiveres selv om strømmen faller under en minimumsverdien på 1,5 l/min som er fabrikkinnstillingen.

CUT-OUT: innstilling (deaktivert) av trykkgrense for stopp av pumpen, fabrikkinnstillingen er «CUT-IN» + 1 LED, men denne kan økes opp til 3.5 bar (50.8 psi).

For å aktivere denne, velger man funksjonen ved å trykke på «MODE», helt til LED-lampen som tilhører «CUT-OUT» begynner å blinke. Etter dette:

- 1) Trykk på SET **i 10 sekunder** for å låse opp funksjonen (LED-ene for trykkverdiene tennes).
- 2) Trykk på SET for å velge ønsket verdi.
- 3) Innstill verdien for CUT-OUT på 0 [bar eller psi] for å deaktivere funksjonen.
- 4) Trykk på MODE for å gå ut av innstillingen.

Merk: Verdien for CUT-OUT kan KUN endres etter å ha låst opp funksjonen ved å trykke på SET i 10 sekunder. Funksjonen sperres igjen hvis det ikke trykkes på noen knapp innen 1 sekund.

ANTI-LEAKAGE: beskyttelse mot lekkasje. Funksjonen kan aktiveres og deaktiveres. Fabrikkinnstillingen er deaktivert funksjon. Når den er aktivert, hvis det skulle oppstå forhold som får pumpen til å starte opp mer enn 6 ganger på 2 minutter, vil den stoppe opp og feilen vil angis ved hjelp av en rød LED-lampe som blinker langsomt på «ALARM».

For å aktivere denne velger man funksjonen ved å trykke på «MODE», helt til LED-lampen som tilhører «CUT-OUT» begynner å blinke. Etter dette trykker man på SET helt til LED-lampen «ON» tennes. For å deaktivere, trykk «SET» til den tente lampen angir OFF.

Etter å ha fjernet årsaken, nullstiller man alarmen, hvis den fortsatt er til stede, se 9.2.3.

MAX PUMP ON: maksimal funksjonstid. Funksjonen kan aktiveres og deaktiveres. Fabrikkinnstillingen er deaktivert funksjon. Når denne er aktivert, hvis det skulle oppstå forhold der pumpen er i funksjon i mer enn 30 minutter, vil den stoppe opp, men ingen feilangivelse vil bli gitt.

Denne funksjonen brukes til å beskytte installasjonen dersom den ved en feil blir stående med åpen kran, dersom en slange springer lekk, eller dersom man bruker vanningsfunksjonen.

For å aktivere denne, velger man funksjonen ved å trykke på «MODE», helt til LED-lampen som tilhører MAX PUMP ON tennes. Etter dette trykker man på SET helt til LED-lampen «ON» tennes. For å deaktivere, trykk «SET» til den tente lampen angir OFF.

(C) Valgknappen SET

Modus som kan velges:

Nullstilling av alarmer:

- 2) Aktiver/deaktiver i MODE (MAX_PUMP_ON, ANTI-LEAKAGE).
- 3) Øk parameterne i MODE (CUT_IN, CUT_OUT).
- 4) Motor ON/OFF i MANUEL MODE.
- 5) Pumpe aktiv/pumpe i stand-by AUTO MODE.

Trykk på «SET» for å endre parameterne, dersom LED-lampen er tent på MODE CUT-IN eller MODE-CUT OUT, vil verdien bli vist på søylen med LED-lamper som angir trykket. Ved å trykke «SET» vil verdien øke. Etter å ha stilt inn ønsket verdi, går man ut av endringsmenyen ved å trykke «MODE», og ved å sette LED-lampen på MODE-AUTO og SET «ON» aktivert. Trykk også SET for å aktivere/deaktivere funksjonene Anti-leakage og Max pump On. Når du har valgt funksjonen ved å trykke på «MODE», aktiverer du den ved å velge SET-ON, og deaktiverer den ved å velge SET-OFF. I «MANUELL» modus, brukes knappen SET til å slå på og av pumpen, med LED-lampen på knappen «ON» eller «OFF». I automatisk modus, AUTO-MODE, brukes den til å aktivere «ON», eller sette i stand-by «OFF».

PUMP ON: indikasjon som sammenfaller med motor i gang.

9.2 Beskrivelse av funksjonene**9.2.1 Pumpe ON/OFF (AUTO MODE, MANUAL MODE)**

Cut out deaktivert → når man setter i kontakten etter test av LED-lampene, vil pumpen slå seg på i 10 sekunder.

Cut out aktivert → Etter at man har satt inn kontakten, vil LED-lampene testes de første 3 sekundene (tenning av LED-lampe 0 angir at det er spenning tilstede), og vil da som standard gå til funksjonsmodus «AUTO MODE», og varselampen «ON» tennes. Pumpen vil begynne å fungere dersom trykket er mindre enn verdien for CUT-IN, og strømmen er mindre enn minimum væskeflyt for cut-in. Pumpen vil fortsette å være i gang til trykket blir mindre enn verdien for CUT-OUT, og når dette nås vil den slå seg av uavhengig av væskeflyten.

Hvis du i stedet velger modusen «**MANUAL MODE**», ved å trykke en gang på «**MODE**», vil pumpen starte dersom LED-lampen «**ON**» er tent, ellers vil pumpen slukkes ved å trykke «**SET**» og LED-lampen «**OFF**» vil tennes.

Når pumpen vil begynne å fungere, vil den starte i FYLLE-modus.

NB! Pass på å følge installasjonsanvisningen, og sjekk at pumpen er helt fylt med vann.

9.2.2 Fyllefasen

Når pumpen starter opp, vil den gå til fyllemodus, gå inn i Priming-modus. I denne fasen, dersom man ikke finner væskeflyt og trykk, vil motoren holdes i gang i 3 minutter. Etter dette vil den gå til alarmtilstand for tørrkjøring. Dersom man i dette tidsrommet finner væskeflyt og trykk, vil fyllefasen utføres og pumpen vil fungere normalt.

9.2.3 Reset - nullstilling av alarmer

Når en alarmtilstand oppstår vil den røde varselampen «**ALARM**» vil tennes. Alarmen tilbakestilles ved å trykke en gang på «**SET**»-knappen, hvis årsaken som førte til alarmen er blitt fjernet vil normal drift starte, i motsatt fall vil alarmen oppstå igjen.

9.2.4 Spenningsindikasjon ON/OFF

Hvis det er spenning tilstede, vil LED-lampen for trykk ved verdi 0 være tent. Dersom det ikke er spenning tilstede, vil denne LED-lampen være slukket.

NB! For lengre perioder uten aktivitet anbefales det å fjerne spenningen ved å trekke ut kontakten.

9.2.5 Pumpeindikasjon ON/OFF

Når motoren er i gang, skal et blått lys på «**PUMP ON**» være slått på for å indikere at den er i drift. Når motoren stanser vil denne LED-lampen slukkes.

9.2.6 Alarmindikasjon

Et rødt jevnt lys eller tast på «**ALARM**» slås på når det er en alarm tilstede.

Tørrkjøring (Dry-running): jevnt rødt lys.

Lekkasje (leakage): langsomt pulserende lys.

Max Pump ON (pumpe i drift i mer enn 30 minutter). 2 raske lysblink med en litt lengre pause.

Trykk «**SET**» for å tilbakestille alarmene.

9.2.7 Beskyttelse mot tørrkjøring (Dry running protection)

Hvis pumpen kjører tørr, vil den etter noen sekunder (40 s.) stanses, og man får en feilmelding med rødt jevnt lys på «**ALARM**».

Etter en første fase på 30 minutter der pumpen vil stå i OFF-tilstand, blir det gjort et nytt forsøk som varer 5 minutter. Hvis det ikke dette heller lykkes, vil nye forsøk gjøres hver 30. minutt, inntil 48 ganger. Hvis også disse forsøkene mislykkes, vil det gjøres et nytt forsøk hver 24. time.

Enheten vil automatisk komme ut av alarmtilstanden for tørrkjøringen når det er væskeflyt og/eller trykk tilstede.

Dersom alarmen tilbakestilles, se 9.2.3, vil et nytt forsøk gjøres i 40 sekunder.

Fjern årsakene, og nullstill alarmen, se 9.2.3.

9.2.8 Lekkasjebeskyttelse (ANTI-LEAKAGE)

Funksjonen kan aktiveres og deaktiveres. Fabrikkinnstillingen er deaktivert funksjon. Når den er aktivert, hvis det skulle oppstå forhold som får pumpen til å starte opp mer enn 6 ganger på 2 minutter, vil den stoppe opp og feilen vil angis ved hjelp av en rød LED-lampe som blinker langsomt på «**ALARM**».

Fjern årsakene, og nullstill alarmen, se 9.2.3.

For fremgangsmåten for aktivering, se Anti-leakage.

9.2.9 Max pump on

Maksimal funksjonstid. Funksjonen kan aktiveres og deaktiveres. Fabrikkinnstillingen er deaktivert funksjon. Når denne er aktivert, hvis det skulle oppstå forhold der pumpen er i funksjon i mer enn 30 minutter, vil den stoppe opp, vil ALARM-varsel blinke.

Denne funksjonen brukes til å beskytte installasjonen dersom den ved en feil blir stående med åpen kran, dersom en slange springer lekk, eller dersom man bruker vanningsfunksjonen.

9.2.10 Trykksensoralarm

Anordningen går til alarm for trykksensor, dersom trykkverdien er utenfor driftsområdet (0-15 bar). Pumpen blir slått av; feilen bli nullstilt så snart trykkforholdene igjen er innenfor området.

9.3 Første oppstart

9.3.1 Test av LED-lampene

Når du starter opp for første gang etter å ha satt støpslet i, utføres en test på de 20 LED-lampene i noen sekunder, der alle lampene blir tent etter tur.

9.3.2 Første gangs fylling

Pumpen vil automatisk gå til **AUTO**-modus og stilt til **ON**.

Tre ulike ting kan da skje:

- 1) Det er væskeflyt tilstede, men trykket er lavt: går ut av fyllingsfasen og starter normal drift.
- 2) Det er trykk tilstede, men ikke væskeflyt: etter 10 sekunder i denne tilstanden slås pumpen av.
- 3) Det er ingen væskeflyt eller trykk tilstede: pumpen slås av og feilmeldingen Tørrkjøring blir syning etter cirka 3 minutter. Dette signaliseres med tent, rød LED-lampe på SET-ALARM. Fjern årsaken, og nullstill alarmen, se 9.2.3.

9.4 Normal drift med CUT-OUT deaktivert (fabrikkinnstilt)

Cut-out deaktivert betyr at vi har en av følgende tilstander:

- Pumpen aktiveres dersom det er væskeflyt eller, dersom det mangler trykk, trykket er lavere enn verdien for CUT IN (i 10 ms)
 - pumpen stoppes dersom det er trykk tilstede, men det mangler væskeflyt i 10 sekunder.
- LED-lampen for CUT OUT vil være slukket under normal drift. For å endre innstillingen, se 9.1.1.B

9.5 Normal drift med CUT-OUT aktivert

Cut-out deaktivert betyr at vi har følgende tilstander:

- Pumpen aktiveres hvis trykket er lavere enn trykkverdien for CUT IN.
- Pumpen stoppes hvis trykket er høyere enn trykkverdien for CUT OUT.

Led-lampen for cut out vil være tent under normal drift. For å endre innstillingen, se 9.1.1.b

10. FORHOLDSREGLER

FARE FOR FROST: Når pumpen ikke fungerer ved temperaturer under 0 °C, må du sørge for at det ikke er vannrester tilstede, som når de fryser kan danne sprekker i plastdeler.

Hvis pumpen har vært brukt sammen med stoffer som har en tendens til å danne avleiringer, eller sammen med klorvann, skyll etter bruk med en kraftig vannstråle, for å unngå dannelse av avleiringer og belegg som kan redusere ytelsene til pumpen.

11. VEDLIKEHOLD OG RENGJØRING

Den elektriske pumpen krever ved normal drift ingen type vedlikehold. Alle reparasjoner og vedlikehold må uansett kun utføres etter at man har koblet pumpen fra strømforsyningen. Når man starter pumpen, sørg for at den er blitt montert på en fagmessig måte, for å unngå fare for mennesker og eiendom.

11.1 Rengjøring av sugefilter (Fig.3)

- Koble fra strømforsyningen til pumpen.
- Tøm pumpen ved å åpne lokket for tømming (6), etter at man først har lukket stengeventilene oppstrøms (hvis slike finnes).
- Skru av lokket på filterkammeret, for hånd, eller med den medfølgende redskaper.
- Trekk ut filterenheten ovenfra.
- Skyll glasset under rennende vann, og rengjør filteret med en myk børste.
- Monter filteret tilbake på plass å følge trinnene i motsatt rekkefølge.

11.2 Rengjøring av NRV (Fig.4)

- Koble fra strømforsyningen til pumpen.
- Ta av lokket på NRV (5) med den medfølgende redskaper.
- Fjern holdeventilen NRV, og rengjør den for eventuelt smuss.
- Monter delene i motsatt rekkefølge i forhold til demonteringen.

12. PROBLEMLØSNING



Før du starter feilsøk og problemløsning, er nødvendig å koble fra all strømforsyning (ta ut støpslet). Hvis noen del av strømkabelen eller de elektriske delene av pumpen er skadet, må alle reparasjoner og erstatningen utføres av produsenten, eller teknisk assistanse tjeneste eller en person med tilsvarende, eller av en person med lignende kvalifikasjoner, slik at all risiko unngås.

PROBLEMER	KONTROLLER (mulige årsaker)	LØSNINGER
1. Motoren vil ikke starte og lager ikke lyd.	A. Sjekk de elektriske tilkoblingene. B. Kontroller at motoren er spenningsførende. C. Kontroller sikringene. D. Mulig inngrep fra termisk beskyttelse.	C. Skift dersom sikringen er sprengt. D. Vent i ca 20 min mens motoren kjøler seg ned. Fastslå årsaken til dette, og fjern den. N.B.: Dersom samme feil oppstår umiddelbart, betyr dette at motoren er kortsluttet.
2. Motoren vil ikke starte, men den lager ikke lyd.	A. Kontroller at spenningen tilsvarer den på merkeskiltet. B. Let etter mulige tilstoppinger av pumpen eller motoren. C. Kontroller at akselen ikke er blokkert. D. Sjekk tilstanden til kondensatoren.	B. Fjern tilstoppinger. C. Bruk den medfølgende redskaper for å skru av lokket, og bruk en skrutrekker for å frigjøre akselen. D. Erstatt kondensatoren.
3. Motoren går, men har problemer med å få igang omdreiningene.	A. Kontroller at forsyningsspenningen ikke er for lav. B. Sjekk om det er bevegelige og faste deler og som skrapes mot hverandre.	B. Sørg for å gjerne årsaken til skrapingen.
4. Pumpen leverer ikke væske.	A. Pumpen er ikke blitt riktig primet/klargjort. B. Sugelangen har for liten diameter.	A. Fyll vannpumpen, og utfør primingen, aktsomt så man slipper ut luften fra ventilasjonspluggen. B. Bytt ut røret/slangen med et med større diameter.

	C. Tilbakeslagsventil NRV eller filterene er tilstoppet.	C. Rengjør filteret, og hvis det ikke er nok, også NRV.
5. Pumpen fylles ikke.	A. Luft suges inn gjennom sugeslangen. B. Negativ helning på sugeslangen gir dannelse av luftlommer.	A. Eliminere fenomenet ved å kontrollere tettheten til koblingpunktene til sugeslangene, og gjenta fylleoperasjonen. B. Korrigjer hellingen på sugeslangen.
6. Pumpens leverer for lavt volum.	A. Sugelangene er tilstoppet. B. Impelleren er slitt eller blokkert. C. Sugelangene har for liten diameter.	A. Rengjør sugelangene. B. Fjern tilstoppinger eller bytt slitte deler. C. Bytt ut slangen med en med større diameter.
7. Pumpen vibrerer og lager støy under drift.	A. Sjekk at pumpen og slangen er godt festet. B. Pumpen kaviterer, det betyr at den blir satt til å pumpe mer vann enn den kan klare. C. Pumpen drives over ytelsesgrensene på skiltet.	A. Fest løse deler bedre. B. Reduser sugehøyden eller kontroller tap av pumpevolum. C. Det kan være hensiktsmessig å begrense væskemengden som pumpes ut.

13. GARANTI



Enhver endring som ikke på forhånd er autorisert, vil frata produsenten ethvert ansvar. Alle reservedeler som brukes til reparasjoner må være originaldelene, og alt tilbehør må være godkjent av produsenten, slik at du kan sikre maksimal sikkerhet for maskiner og systemer som disse kan være påmontert.

Dette produktet er dekket av en juridisk garanti (i Det europeiske fellesskapet, i 24 måneder fra kjøpsdato) for alle feil som skyldes produksjonsfeil eller materialene som er blitt brukt.

Produktgarantien vil etter skjønn kunne være enten erstatning med en enhet som er i perfekt stand, eller kostnadsfri reparasjon, dersom følgende vilkår overholdes:

- produktet har blitt håndtert på riktig måte og i samsvar med anvisningene, og det ikke er gjort noe forsøk på å reparere av kjøperen selv, eller tredjeparter.
- produktet har blitt levert til butikken der den ble kjøpt, sammen med dokumenter som bekrefter kjøpet (kvittering), og en kort beskrivelse av problemet.

Impelleren og deler som er utsatt for slitasje, dekkes ikke av garantien. Garantikravet vil ikke på noen måte forlenge den opprinnelige garantiperioden.

SPIS TREŚCI

1. ZASTOSOWANIA	138
2. POMPOWANE CIECZE	139
3. DANE TECHNICZNE I OGRANICZENIA W ZASTOSOWANIU.....	139
4. ZARZĄDZANIE	139
4.1 Przechowywanie	139
4.2 Transport	139
4.3 Waga i wymiary	139
5. OSTRZEŻENIA	139
6. INSTALOWANIE	140
7. PODŁĄCZENIE ELEKTRYCZNE	140
8. URUCHOMIENIE.....	140
9. INTERFEJS ELEKTRONIKI ZARZĄDZANIA.....	141
9.1.1 Opis wyświetlacza:.....	141
9.2 Opis funkcji	142
9.2.1 Pompa ON/OFF (AUTO MODE, MANUAL MODE)	142
9.2.2 Faza zalewania	143
9.2.3 Reset alarmów	143
9.2.4 Wskazanie napięcia ON/OFF	143
9.2.5 Wskazanie pompy On/off.....	143
9.2.6 Wskazanie Alarmów	143
9.2.7 Zabezpieczenie przeciw suchobiegowi (Dry running protection)	143
9.2.8 Zabezpieczenie przeciw wyciekom (ANTI-LEAKAGE)	143
9.2.9 Max pump on	143
9.2.10 Alarm czujnika ciśnienia.....	143
9.3 Pierwsze uruchomienie	143
9.3.1 Test diod Led	143
9.3.2 Pierwsze zalenie	143
9.4 Normalne operacje z dezaktywowanym CUT-OUT (fabrycznie)	143
9.5 Normalne operacje z aktywowanym CUT-OUT.....	144
10. ŚRODKI OSTROŻNOŚCI	144
11. KONSERWACJA I CZYSZCZENIE	144
12. WYKRYWANIE USTEREK	144
13. GWARANCJA	145

OSTRZEŻENIA



Przed przystąpieniem do instalowania przeczytać uważnie całą dokumentację.



Przed każdą interwencją odłączyć wtyczkę. Unikać w sposób kategoryczny funkcjonowania na sucho.



Należy osłaniać pompę elektryczną od złych czynników atmosferycznych.



Pompa wyposażona jest w termiczne zabezpieczenie przed przeciążeniem. W razie przegrzania silnika, urządzenie automatycznie wyłącza pompę. Czas chłodzenia wynosi mniej więcej od 15 do 20 minut, a następnie pompa automatycznie włącza się ponownie. Jeśli wyłącznik przeciążenia zadziałał, konieczna jest identyfikacja przyczyn przegrzania. Zobacz Rozwiązywanie problemów.

1. ZASTOSOWANIA

Pompy odśrodkowe samozasysające strumieniowe, także z optymalną zdolnością ssania w obecności wody gazowanej. Szczególnie wskazane do zasilania w wodę i do podnoszenia ciśnienia wody w domach wiejskich. Nadające się do drobnych gospodarstw warzywniczych i ogrodniczych, w nagłych wypadkach domowych i do innych celów hobbistycznych. Dzięki kompaktowej i zwrotnej budowie pompy znajdują także specjalne zastosowania, jako pompy podręczne przenośne w nagłych wypadkach, takich jak, pobieranie wody ze zbiorników lub rzek. **W przypadku braku sieci Wi-fi, zapoznać się z informacjami zawartymi w quick guide.**



Pompy te nie mogą być używane w basenach, stawach, zalewach, w których przebywają ludzie, lub do pompowania węglowodorów (benzyna, olej gazowy, olej napędowy, rozpuszczalniki, itd.) zgodnie z odnoszącymi się obowiązującymi normami przeciwwypadkowymi. Przed odstąpieniem na dłuższy czas jest wskazane przystąpienie do fazy czyszczenia. Patrz rozdział "Konservacja i Czyszczenie".

2. POMPOWANE CIECZE

Czysta, bez ciał stałych lub abrazyjnych, nieagresywna.

Woda czysta	•
Woda deszczowa (filtrowana)	•
Woda jasna odpływowa	○
Woda brudna	○
Woda z fontanny (filtrowana)	•
Woda z rzeki lub jeziora (filtrowana)	•
Woda pitna	•

Tabela 1

- Nadająca się
- Nie nadająca się

3. DANE TECHNICZNE I OGRANICZENIA W ZASTOSOWANIU

- **Napięcie zasilania: 220-240V**, patrz tabliczka danych elektrycznych.
- **Zwłoczne bezpieczniki topikowe linii (wersja 220-240V):** wartości orientacyjne (Amper).
- **Temperatura przechowywania:** -10°C +40°C.

Model	Bezpieczniki topikowe linii 220-240V 50Hz
P1= 850	4
P1= 1100	6
P1= 640	4
P1= 920	6

Tabela 2

	Model	P1=850	P1=1100	P1=640	P1=920
Dane Elektryczne	P1 Nominalny pobór mocy [W]	850	1100	640	920
	P2 [W]	600	750	380	560
	Napięcie sieciowe [V]	1~220-240 AC			
	Częstotliwość sieciowa [Hz]	50			
	Prąd [A]	3.88	4.58	3.10	4.20
	Kondensator [µF]	12.5	16	16	12.5
	Kondensator [Vc]	450			
Dane Hydrauliczne	Max wydajność [l/h]	3180	3750	3600	4800
	Max wysokość tłoczenia [m]	43	45	32	40
	Max ciśnienie tłoczenia [bar]	4.3	4.5	3.2	4.0
	Max ciśnienie [bar]	6			
	Max głębokość zasysania [m/min]	8m / <3min		6m / <3min	
Zakres stosowania	Dł. kabla zasilającego [m]	1.5			
	Typ kabla	H07 RNF			
	Stopień ochrony silnika	IP X4			
	Klasa izolacji	F			
	Zakres temperatury cieczy [°C] według EN 60335-2-41 do użytku domowego	0 °C / +35 °C			
	Max wymiar cząstek	woda czysta			
	Max temperatura otoczenia [°C]	+40 °C			
Waga	DNM GAS	1" M			
	Waga Netto/Brutto ok. [kg]	9.6/11.8	10.3/12.5	10.1/12.1	10.9/12.9

Tabela 3



Pompa nie może podtrzymać ciężaru przewodów rurowych, które muszą być podparte w inny sposób.

4. ZARZĄDZANIE

4.1 Przechowywanie

Wszystkie pompy powinny być przechowywane w miejscu zakrytym, suchym, pozbawionym wibracji i pyłów i z możliwie stałą wilgotnością powietrza. Pompy zostają dostarczone w swoich oryginalnych opakowaniach, w których muszą pozostać aż do momentu zainstalowania.

4.2 Transport

Unikać narażania produktów na niepotrzebne wstrząsy i zderzenia.

4.3 Waga i wymiary

Na tabliczce naklejonej na opakowaniu jest wskazana ogólna waga elektropompy i jej wymiary.

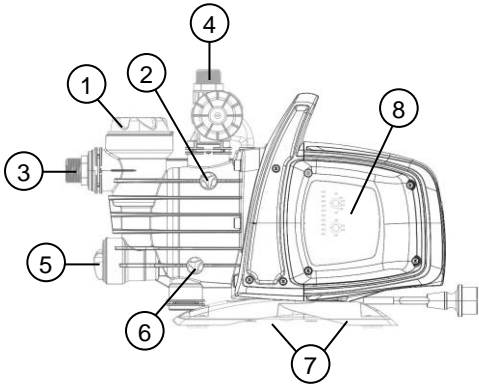
5. OSTRZEŻENIA



Pompy nigdy nie powinny być transportowane, podnoszone lub pracować zawieszony używając do tego celu kabel zasilający, należy posługiwać się odpowiednim uchwytem.

- Pompa nigdy nie powinna pracować na sucho.
- Zaleca się otwierać/zamykać korki wentylacyjne/spustowe (2 i 6) bez użycia zbyt dużej siły.

6. INSTALOWANIE



1. Filtr wstępny
2. Korek odpowietrzający
3. Regulowany łącznik ssawny
4. Łącznik tłoczny
5. Wbudowany zawór zwrotny
6. Korek spustowy
7. Antywibracyjne nóżki gumowe
8. Interfejs elektroniki zarządzania

Elektropompa powinna być zainstalowana w miejscu zabezpieczonym przed złymi warunkami atmosferycznymi i w temperaturze otoczenia nie przekraczającej 40°C.

Pompa jest wyposażona w nóżki antywibracyjne, które w przypadku instalacji stałych można usunąć i przymocować pompę do podstawy oparcia (7).

Unikać, aby przewody rurowe przenosiły nadmierne naprężenia na wyloty pompy (3) i (4), co mogłoby spowodować deformacje lub złamanie.

Dobłą regułą jest ustawienie pompy jak najbliżej cieczy do pompowania.

Pompa musi być zamontowana tylko i wyłącznie w pozycji poziomej.

Przewody rurowe nie mogą nigdy posiadać wewnętrznej średnicy mniejszej od średnicy otworów elektropompy i w zasysaniu pompa jest wyposażona w filtr (1) i zawór zwrotny (NRV) (5).

Dla głębokości ssania powyżej 4 metry lub z licznymi przejściami poziomymi zaleca się zastosowania średnicy większej od tej wlotu ssania elektropompy. W celu uniknięcia tworzenia się pęcherzy powietrza w przewodach ssących pamiętać o wykonaniu lekkiego nachylenia dodatniego tegoż przewodu ssącego w kierunku elektropompy. Rys.2

Jeżeli przewody rurowe będą gumowe lub z materiałów giętkich, kontrolować zawsze, jakiego typu jest wzmocnienie odporności na próżnię, aby uniknąć zwężenia na skutek zasysania.

W przypadku instalacji stałej, poleca się zamontować zawór zamykający zarówno po stronie ssawnej jak i po stronie tłocznej. Umożliwi to zamykanie linii doprowadzającej i/lub odprowadzającej użyteczne do wykonywania wszystkich interwencji konserwacyjnych i czyszczenia lub w czasie okresów, w których pompa nie będzie używana.

Pompa jest wyposażona w wejście obrotowe, które ułatwiają instalowanie. (3) i (4)

W przypadku rur giętkich, jeżeli konieczne, używać kolanko rys.1 i zestaw ogrodowy złożony z przewodów rurowych z polietylenu PE i zestaw złączy z łańcuchem, nie dostarczony, lecz do zakupienia oddzielnie.

W przypadku brudu o bardzo małych cząstkach zaleca się stosować, oprócz filtra wbudowanego (1), filtr wejścia pompy zamontowany na rurze zasysającej.

- Nie narażać silnika na nadmierną ilość uruchomień na godzinę, zaleca się nie przekraczać 20 uruchomień na godzinę.



Średnica rury zasysającej musi być większa lub równa średnicy otworu elektropompy, patrz Tabela 3.

7. PODŁĄCZENIE ELEKTRYCZNE



Upewnić się, czy napięcie sieci odpowiada danym na tabliczce silnika do zasilania i czy można WYKONAĆ PRAWIDŁOWE UZIEMIENIE. **Przestrzegać wskazania przedstawione na tabliczce technicznej i w niniejszej instrukcji tabela 3.**

Długość kabla zasilającego znajdującego się w pompie ogranicza odległość instalowania, w przypadku konieczności użycia przedłużacza upewnić się, aby był tego samego typu (np. H05 RN-F lub H07 RN-F w zależności od instalacji) patrz tab.3.

8. URUCHOMIENIE



Nie uruchamiać pompy bez napełnienia jej całkowicie cieczą, około 4 litry, napełniać dopóki nie zacznie wychodzić z korka spustu powietrza (2).

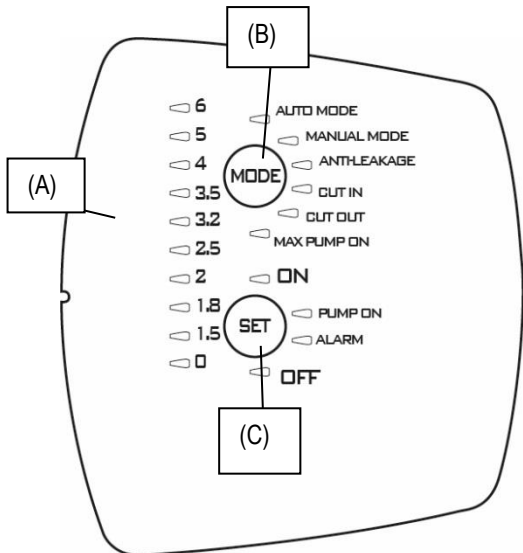
W przypadku, gdy wyczerpie się zasób wody, natychmiast odłączyć wtyczkę, zgasić pompę. Unikać pracy na sucho.

1. Przed uruchomieniem kontrolować, czy pompa jest poprawnie zalana, napełniając ją całkowicie czystą wodą poprzez odpowiedni otwór napełniający, po wyjęciu przezroczystego korka zalewowego filtra (1), rękami lub odpowiednim narzędziem dostarczonym na wyposażeniu. Otworzyć jednocześnie także korek odpowietrzający (2), aby spuścić powietrze. Czynność ta jest niezbędna w ramach prawidłowego działania pompy, aby uszczelnienie mechaniczne było dobrze nasmarowane. **Działanie na sucho powoduje nieodwracalne uszkodzenie uszczelnienia mechanicznego.**
2. Korek zalewowy będzie musiał być dokładnie dokręcony aż do końca (1), tak samo jak korek odpowietrzający (2).
3. Włączyć wtyczkę kabla zasilającego do gniazda prądu elektrycznego 220-240V. **Uwaga!** Silnik pompy natychmiast włączy się, woda zacznie wychodzić po maksimum 3 minutach, co będzie zależać od głębokości poziomu wody, w zbiorniku lub cysternie.
4. Pompa będzie kontynuować pracę i dostarczać wodę. **Uwaga!** Zapobiegać pracy na sucho.
5. Aby wyłączyć pompę odłączyć wtyczkę kabla zasilającego.



W przypadku problemów z zalewaniem, powtórzyć operację dopóki nie wyjdzie wszystko powietrze z zasysania.

9. INTERFEJS ELEKTRONIKI ZARZĄDZANIA



9.1 Przegląd charakterystyk

Opis	Parametry
Napięcie, częstotliwość	1x220-240V, 50/60 Hz
Wskazanie napięcia on/off	●
Wskazanie silnika on/off	●
Wskazanie Alarmów	●
Wskazanie Ciśnienia	●
Wskazanie Mode	●
Auto Mode	●
Manual Mode	○
Zabezpieczenie przeciw Suchobiegowi	●
Zabezpieczenie przeciw wyciekom	○
Zabezpieczenie Max pump on	○ (30 minut)
Ciśnienie Cut-in	○ Zmienne (1,5 – 3,0bar)
Ciśnienie Cut-out	○ (Cut-in + 1 bar)
Samo zalewanie	●
Przyciski wybór	●

● = Stały; ○ = Wybieralny

9.1.1 Opis wyświetlacza:

(A) Wskaźniki ciśnienia diodowe led

Zostaje użyte 10 diod Led do wskazania ciśnienia od 0 do 6 bar. Gdy w systemie zmienia się ciśnienie, diody w konsekwencji zapalają się lub gasną.

Funkcja	Konfiguracja wyświetlacza	Set	Reset Alarmu
Auto Mode		ON: Aktywuje OFF: Dezaktywuje	
Manual mode		ON: Aktywuje OFF: Dezaktywuje	
Anti-leakage		ON: Aktywowany OFF: Dezaktywowany	Naciskać SET
Cut in		Inkrementuje/Dekrementuje	
Cut out		Inkrementuje/Dekrementuje OFF: aktywowany	
Max pump on		ON: aktywowany OFF: dezaktywowany	Naciskać SET

(B) Przycisk wyboru MODE

Tryby wybieralne:

- | | |
|------------------|-----------------|
| 1) AUTO_MODE; | 4) CUT_IN; |
| 2) MANUAL_MODE; | 5) CUT_OUT; |
| 3) ANTI LEAKAGE; | 6) MAX_PUMP_ON; |

Aby odblokować wybór funkcjonalności na "MODE" naciskać przycisk "MODE" przez 5 sekund.

Naciskać "MODE", aby przejrzeć różne tryby funkcjonowania (AUTO_MODE lub MANUAL_MODE) lub, aby modyfikować parametry (CUT IN i CUT OUT) lub aktywować niektóre funkcje (ANTI-LEAKAGE i MAX PUMP ON). Podczas przeglądania dioda led wybranej funkcji będzie migać. Po powrocie do AUTO_MODE funkcje aktywowane będą wyróżnione odpowiadającą diodą led zapaloną na stałe. Patrz paragraf 2 (Opis funkcji).

Wskaźniki na "MODE"

AUTO MODE: pompa będzie pracować w trybie automatycznym patrz 9.2.1

MANUAL MODE: pompa będzie pracować w trybie manualnym patrz 9.2.1, użytkownik zdecyduje, kiedy ją włączyć i wyłączyć naciskając na przycisk "SET". SET-ON włączona, SET-OFF wyłączona.

CUT-IN: ustawienie ciśnienia (zawsze aktywowana) minimalne ciśnienie, poniżej którego pompa włącza się, ustawialne między 1.5 i 3.0 bar, fabryczne 1.8 bar; pompa włącza się nawet, jeżeli przepływ jest niższy od minimalnej wartości 1.5 l/min ustawionej fabrycznie.

CUT-OUT: ustawienie ciśnienia (uaktywniona) ciśnienie, powyżej którego pompa zatrzyma się, fabrycznie ustawione na "CUT-IN" + 1 Led, lecz możliwe do zwiększenie do 3.5 bar (50.8 psi).

Aby ją aktywować wybrać funkcję naciskając "MODE" dopóki dioda led odpowiadająca CUT-OUT nie zacznie migać, następnie:

- 1) wcisnąć SET **przez 10 sekund** w celu odblokowania funkcji (w tym momencie włączą się światła LED na wartościach ciśnienia),
- 2) wcisnąć SET w celu wybrania odpowiedniej wartości,
- 3) w celu dezaktywacji funkcji ustawić wartość cut-out na 0 [bar lub psi],
- 4) wyjść z ustawienia wciskając MODE.

NB.: wartość CUT-OUT może być modyfikowana TYLKO po odblokowaniu funkcji wciskając przycisk SET przez 10 sekund. Po 1 sekundzie, nie wciskając żadnego przycisku, funkcja zablokuje się ponownie.

ANTI-LEAKAGE: Zabezpieczenie przeciw wyciekom. Funkcja może być aktywowana lub dezaktywowana. Fabrycznie jest dezaktywowana. Gdy aktywowana, jeżeli nastąpi stan, w którym pompa włączy się więcej niż 6 razy w przeciągu 2 minut, pompa zatrzyma się i zostanie wskazany błąd za pomocą wolno migającej czerwonej diody LED "ALARM".

Aby ją aktywować wybrać funkcję naciskając "MODE" dopóki odpowiadająca dioda led nie zacznie migać, następnie naciskać SET dopóki dioda led "ON" nie zostanie zapalona. Aby dezaktywować naciskać "SET" dopóki światło zapalone nie wskaże OFF.

Po usunięciu przyczyny, zresetować alarm, jeżeli jeszcze jest obecny, patrz 9.2.3.

MAX PUMP ON: maksymalny okres funkcjonowania. Funkcja może być aktywowana lub dezaktywowana. Fabrycznie jest dezaktywowana. Gdy aktywowana, jeżeli nastąpi stan, w którym pompa będzie pracować dłużej niż 30 minut, pompa zostanie zatrzymana, nie pojawi się żadne wskazanie błędu.

Ta funkcja jest stosowana dla zabezpieczenia instalacji w wypadku przypadkowego zostawienia otwartego kranu, w przypadku przerwania przewodów rurowych lub aplikacji do nawadniania.

Aby ją aktywować wybrać funkcję naciskając "MODE" dopóki dioda led odpowiadająca funkcji MAX PUMP ON nie zostanie zapalona, następnie naciskać SET dopóki dioda LED "ON" nie zapali się. Aby dezaktywować naciskać "SET" dopóki światło zapalone nie wskaże OFF.

(C) Przycisk wyboru SET

Tryb wybieralny:

- 1) Reset Alarmów.
- 2) Aktywuje/dezaktywuje w MODE (MAX_PUMP_ON, ANTILEACKAGE).
- 3) Inkrementuje parametry w MODE (CUT_IN; CUT_OUT).
- 4) Silnik ON/OFF w MANUAL MODE.
- 5) Pompa aktywna/pompa w standby w AUTO MODE.

Naciskać "SET", aby modyfikować parametry, w przypadku, gdy dioda led MODE-CUT IN lub MODE-CUT OUT jest zapalona na MODE-CUT IN lub MODE-CUT OUT, wartość zostanie pokazana na pasku diodowym wskazania ciśnienia. Naciskając "SET" wartość będzie inkrementowana. Po ustawieniu wartości żądanej wyjść z modyfikacji naciskając "MODE" i ustawiając diodę led na MODE-AUTO i SET "ON" aktywowane.

Naciskać SET także, aby aktywować/dezaktywować funkcje Anti-leakage i Max pump On. Po wybraniu funkcji przyciskiem "MODE" aktywować ją wybierając SET-ON, a do jej dezaktywacji wybrać SET-OFF.

Tryb "MANUAL" przycisk SET będzie służyć do włączenia lub wyłączenia pompy, dioda led zapalona na "On" albo "OFF".

W trybie automatycznym AUTO-MODE do aktywowania będzie służyć "ON", a do ustawienia w standby "OFF".

PUMP ON: Wskazanie, które zbiega się z silnikiem pracującym.

9.2 Opis funkcji**9.2.1 Pompa ON/OFF (AUTO MODE, MANUAL MODE)**

Cut out dezaktywowane → po włączeniu wtyczki, po przetestowaniu diod led pompa włączy się przez 10 sekund.

Cut out aktywowane → Po włączeniu wtyczki zostanie wykonany przez pierwsze 3 sek. test diod led (zapalenie się diody led 0 wskazuje zawsze obecność napięcia) i zostanie ustawiony domyślnie tryb "AUTO MODE" z zapaleniem się kontrolki "ON". Pompa zacznie pracować, jeżeli ciśnienie będzie niższe od wartości CUT-IN i przepływ niższy od minimum przepływu cut-in. Pompa będzie pracować dopóki ciśnienie będzie niższe od wartości CUT-OUT, po osiągnięciu, której wyłączy się niezależnie od przepływu.

Jeżeli natomiast zostanie wybrany tryb "**MANUAL MODE**", naciskając jeden raz przycisk "**MODE**" pompa włączy się, jeżeli dioda Led "**ON**" będzie zapalona, w przeciwnym wypadku naciskając "**SET**" pompa wyłączy się i zapali się dioda led "**OFF**".

Gdy pompa zacznie pracować wejdzie w tryb ZALEWANIA.

N.b. Upewnić się, czy zostały przestrzegane instrukcje do instalowania i czy pompa została kompletnie napełniona wodą.

9.2.2 Faza zalewania

Gdy pompa zaczyna pracować, wejdzie w tryb zalewania, podczas tej fazy, jeżeli nie wykryje przepływu i ciśnienia, silnik pozostanie włączony przez 3 minut, a poczym wejdzie w stan alarmu pracy na sucho. Jeżeli natomiast w tym przedziale czasu wykryje przepływ lub ciśnienie, zostanie wykonane zalanie i pompa zacznie pracować normalnie.

9.2.3 Reset alarmów

Gdy zaistnieje alarm zapali się czerwona kontrolka "**ALARM**". Alarm zostanie resetowany naciskając jeden raz przycisk "**SET**", jeżeli przyczyna, która go spowodowała zostanie usunięta będzie kontynuowana normalna praca, w przeciwnym wypadku pompa wejdzie ponownie w stan alarmu.

9.2.4 Wskazanie napięcia ON/OFF

Jeżeli jest napięcie dioda Led ciśnienie 0 na pasku diody Led będzie zapalona. Jeżeli nie ma napięcia ta dioda Led będzie zgaszona.

N.b. dla długich okresów nieużywania zaleca się odłączyć napięcie wyłączając wtyczkę.

9.2.5 Wskazanie pompy On/off

Gdy silnik pracuje, niebieskie światło na "**PUMP ON**" musi być zapalone, aby wskazać funkcjonowanie. Gdy silnik jest zatrzymany ta dioda będzie zgaszona.

9.2.6 Wskazanie Alarmów

Jeżeli zaistnieje alarm światło czerwone ciągle lub przycisk "**ALARM**" zostanie uaktywniony.

Praca na sucho (Dry-running): światło czerwone ciągle

Wycieki (Leakage): wolne pulsowanie

Max Pump ON (pompa funkcjonująca przez więcej niż 30 minut): 2 szybkie mignięcia przedzielone dłuższą przerwą.

Naciska "SET" aby zresetować alarmy.

9.2.7 Zabezpieczenie przeciw suchobiegowi (Dry running protection)

Jeżeli pompa pracuje na sucho, po kilku sekundach (40 sek.) pompa zostanie zatrzymana i nastąpi wskazanie błędu za pomocą kontrolki z czerwonym światłem ciągłym "**ALARM**".

Po pierwszym okresie 30 min., w którym pompa jest w stanie OFF zostanie wykonana nowa próba ponownego uruchomienia trwająca 5 min. Jeżeli nawet ta próba nie zakończy się pomyślnie, nowa próba będzie wykonywana co 30 min., aż do maksimum 48 razy. Jeżeli te wszystkie próby będą nieudane, będzie wykonana jedna, co 24 godziny.

Urządzenie wyjdzie automatycznie ze stanu alarmu suchobiegu, jeżeli wystąpi przepływ i/lub ciśnienie.

Jeżeli alarm zostanie resetowany, patrz 9.2.3, nowa próba będzie wykonywana przez 40 sek.

Usunąć przyczyny i resetować alarm patrz 9.2.3.

9.2.8 Zabezpieczenie przeciw wyciekom (ANTI-LEAKAGE)

Funkcja może być aktywowana lub dezaktywowana, fabrycznie jest ustawiona na dezaktywowaną. Gdy aktywowana, jeżeli zaistnieje stan, w którym pompa włączy się więcej niż 6 razy w przeciągu 2 minut, zostanie ona zatrzymana i zostanie wskazany błąd za pomocą migającej powoli czerwonej diody LED "**ALARM**".

Usunąć przyczyny i resetować alarm patrz 9.2.3.

Do procedury aktywowania patrz Anti-leakage.

9.2.9 Max pump on

Maksymalny okres funkcjonowania. Funkcja może być aktywowana lub dezaktywowana. Fabrycznie jest dezaktywowana. Gdy aktywowana, jeżeli zaistnieje stan, w którym pompa będzie pracować dłużej niż 30 minut, zostanie ona zatrzymana i nastąpi mignięcie ALARM.

Ta funkcja jest stosowana do zabezpieczenia instalacji w wypadku przypadkowego zostawienia otwartego kranu, w przypadku przerwania przewodów rurowych lub aplikacji do nawadniania.

9.2.10 Alarm czujnika ciśnienia

Urządzenie wejdzie w stan alarmu czujnika ciśnienia, jeżeli wartość ciśnienia jest poza zakresem operatywnym (0-15 bar). Pompa zostanie wyłączona, błąd zostanie zresetowany jak tylko stan ciśnienie powróci w zakres.

9.3 Pierwsze uruchomienie

9.3.1 Test diod Led

Przy pierwszym uruchomieniu lub zawsze po włączeniu wtyczki prądu zostanie wykonany Test 20 diod LED, kilkusekundowy, podczas którego wszystkie diody Led będą zapalone w sekwencji.

9.3.2 Pierwsze zalanie

Pompa będzie automatycznie w trybie **AUTO** mode i ustawiona na **ON**.

Mogą wystąpić trzy zachowania:

- 1) Przepływ obecny, lecz ciśnienie niskie: pompa wyjdzie z fazy zalewania i zaczyna normalną pracę.
- 2) Ciśnienie, lecz brak przepływu: po 10 sek., podczas których ten stan będzie trwał, pompa wyłączy się.
- 3) Brak przepływu i ciśnienia: pompa wyłączy się i pojawi się błąd Suchobiegu, po około 3 minutach, sygnalizowany diodą Led czerwoną zapaloną na SET-ALARM. Usunąć przyczynę i zresetować alarm patrz 9.2.3.

9.4 Normalne operacje z dezaktywowanym CUT-OUT (fabrycznie)

Cut-out dezaktywowany oznacza, że mamy następujące zachowania:

- Pompa zostanie uaktywniona, jeżeli jest przepływ lub z braku ciśnienie, ciśnienie niższe niż CUT IN (w 10 ms)
 - Pompa zostanie zatrzymana, jeżeli zaistnieje stan obecności ciśnienia, lecz brak stały Przepływu przez 10 sek .
- Dioda led CUT OUT będzie zgaszona podczas normalnej pracy. Do modyfikacji ustawienia patrz 9.1.1.B

9.5 Normalne operacje z aktywowanym CUT-OUT

Cut-out aktywowany oznacza, że mamy następujące zachowania:

- Pompa zostanie uaktywniona, jeżeli ciśnienie jest niższa od ciśnienia CUT IN.
- Pompa zostanie zatrzymana, jeżeli ciśnienie jest wyższe od ciśnienia CUT OUT.

Dioda led cut out będzie zapalona podczas normalnej pracy. Do modyfikacji ustawienia patrz 9.1.1.b.

10. ŚRODKI OSTROŻNOŚCI

NIEBEZPIECZEŃSTWO MROZU: jeżeli pompa będzie składowana nieużywana w temperaturze poniżej 0°C, należy upewnić się, czy nie ma w niej resztek wody, które zamarzając mogłyby spowodować pęknięcia części plastikowych.

Jeżeli pompa była używana z substancjami, które mają tendencję do osadzania się lub z wodą chlorowaną, po użyciu wypłukać ją silnym strumieniem wody, tak aby uniknąć powstawania osadów i zakamienienia, które powodowałyby zmniejszenia charakterystyk pompy.

11. KONSERWACJA I CZYSZCZENIE

Elektropompa przy normalnej pracy nie wymaga żadnego rodzaju konserwacji. W każdym razie wszystkie interwencje naprawy i konserwacji muszą być wykonywane tylko po uprzednim wyłączeniu pompy z sieci zasilania. Gdy ponownie włączy się pompę upewnić się, czy została zamontowana zgodnie z regułami sztuki, aby nie stwarzać niebezpieczeństwa dla rzeczy i osób.

11.1 Czyszczenia filtra zasysającego (Rys. 3)

- Wyłączyć zasilanie elektryczne pompy.
- Drenować pompę, otwierając korek spustowy (6), zamykając uprzednio zasuwę na wlocie (jeżeli obecne).
- Odkręcić pokrywę komory filtra, rękoma lub specjalnym narzędziem na wyposażeniu.
- Wyciągnąć od góry zespół filtra.
- Wypłukać kubek pod bieżącą wodą i wyczyścić filtr miękką szczoteczką.
- Zamontować filtr wykonując operacje w odwrotnym kierunku.

11.2 Czyszczenie zaworu zwrotnego NRV (Rys.4)

- Wyłączyć zasilanie elektryczne pompy.
- Wyjąć korek z zaworu zwrotnego NRV (5) akcesorium dostarczonym na wyposażeniu.
- Zdjąć zawór zwrotny NRV i wyczyścić z zabrudzeń.
- Zamontować części w kierunku odwrotnym do sekwencji demontażu.

12. WYKRYWANIE USTEREK



Przed podjęciem decyzji o przeprowadzeniu jakichkolwiek napraw, należy odłączyć pompę od zasilania (np. wyjąć wtyczkę z gniazdka). Jeśli istnieje jakiegokolwiek uszkodzenie przewodu zasilającego lub pompy, wszystkie niezbędne naprawy lub wymiany muszą być wykonywane przez producenta, lub upoważnionego serwisu, lub przez osoby równie wykwalifikowane, w celu uniknięcia wszelkiego ryzyka.

PROBLEMY	KONTROLE (możliwe przyczyny)	ŚRODKI ZARADCZE
1. Silnik nie uruchamia się i nie wydaje hałasu.	A. Sprawdzić podłączenia elektryczne. B. Sprawdzić, czy silnik jest zasilany. C. Sprawdzić zabezpieczające bezpieczniki topikowe. D. Możliwa interwencja zabezpieczenia termicznego.	C. Jeżeli przepalone, wymienić je. D. Poczekać około 20 min, żeby silnik się ochłodził. Sprawdzić przyczynę, która ją spowodowała i usunąć ją. NB. Ewentualne i natychmiastowe przywrócenie do pierwotnego stanu może świadczyć o tym, że silnik jest w zwarcu.
2. Silnik nie uruchamia się, ale wydaje hałas.	A. Upewnić się, czy napięcie zasilania odpowiada temu na tabliczce. B. Wyszukać ewentualne zatkania pompy lub silnika. C. Sprawdzić, czy wał nie jest zablokowany. D. Sprawdzić stan kondensatora.	B. Usunąć zatkania. C. Stosować przyrząd na wyposażeniu, aby odkręcić pokrywkę i śrubokrętem odblokować wał. D. Wymienić kondensator.
3. Silnik obraca się z trudnością.	A. Sprawdzić, czy napięcie zasilania jest wystarczające.	

	B. Skontrolować możliwe zadrapania pomiędzy częściami ruchomymi, a częściami stałymi.	B. Zadbać o usunięcie przyczyn zadrapań.
4. Pompa nie pracuje.	A. Pompa nie jest zalana prawidłowo. B. Przewód ssący z niewystarczającą średnicą. C. Zawór zwrotny NRV lub filtr zatkane.	A. Napełnić pompę wodą i dokonać zalania, zwracając uwagę, aby wyszło powietrze odkręcając korek odpowietrzający. B. Wymienić przewód ssący na inny o większej średnicy. C. Wyczyścić filtr i w przypadku, gdyby było niewystarczające, zawór NRV.
5. Pompa nie zalewa się.	A. Wyczyścić filtr i w przypadku, gdyby było niewystarczające, zawór NRV. B. Niekorzystne nachylenie przewodu ssącego powoduje tworzenie się pęcherzy powietrza.	A. Wyeliminować zjawisko, kontrolując szczelność połączeń i zasysające przewody rurowe, powtórzyć operację zalania. B. Poprawić nachylenie przewodu ssącego.
6. Pompa nie osiąga wystarczającego natężenia przepływu.	A. Rura zasysająca jest zatkana. B. Wirnik zużyty lub zatkany. C. Niewystarczające średnica przewodu ssącego.	A. Wyczyścić rurę zasysającą. B. Wymienić lub usunąć zanieczyszczenia z wirnika. C. Wymienić przewód ssący na inny o większej średnicy.
7. Pompa wibruje przy hałaśliwym działaniu.	A. Sprawdzić, czy pompa i przewody są dobrze przymocowane. B. Pompa kwituje, tzn. wykazuje większe zapotrzebowanie wody od tego co zdoła przepompować. C. Pompa pracuje powyżej wartości podanych na tabliczce.	A. Zablokować lepiej poluzowane części. B. Zmniejszyć wysokość ssania i skontrolować straty ciśnienia. C. Można spróbować ograniczyć natężenie przepływu po stronie tłocznej.

13. GWARANCJA



Jakakolwiek modyfikacja nie upoważniona uprzednio, zwalnia konstruktora od jakiegokolwiek rodzaju odpowiedzialności. Wszystkie części zamienne użyte do napraw muszą być oryginalne i wszystkie akcesoria muszą być upoważnione przez konstruktora, tak, aby móc zapewnić maksymalne bezpieczeństwo maszyn i urządzeń, na których mogą być one zamontowane.

Ten produkt objęty jest gwarancją ustawową (w Unii Europejskiej trwającą 24 miesiące począwszy od daty zakupu) odnoszącą się do wszystkich defektów wynikających z wad fabrycznych lub zastosowanych materiałów.

Produkt objęty gwarancją będzie mógł, według uznania, albo być wymieniony na inny o doskonałym stanie funkcjonowania lub naprawiony bezpłatnie, jeżeli będą przestrzegane następujące warunki:

- Produkt był używany w sposób poprawny i zgodnie z instrukcjami i nie była wykonana próba naprawy przez nabywcę lub osoby trzecią,
- Produkt zostanie dostarczony do punktu nabycia, załączając dokument potwierdzający kupno (faktura lub paragon fiskalny) i krótki opis zauważonego problemu.

Wirnik i części podatne na zużycie, nie podlegają gwarancji. Interwencja gwarancyjna w żaden sposób nie przedłuża okresu początkowego.

ÍNDICE

1. APLICAÇÕES	146
2. LÍQUIDOS BOMBEÁVEIS	147
3. DADOS TÉCNICOS E LIMITAÇÕES DE USO	147
4. GESTÃO	147
4.1 Armazenagem	147
4.2 Transporte	147
4.3 Peso e dimensões	147
5. AVISOS	147
6. INSTALAÇÃO	148
7. LIGAÇÃO ELÉTRICA	148
8. ARRANQUE	148
9. INTERFACE ELETRÓNICA DE GESTÃO	149
9.1 Características gerais	149
9.1.1 Descrição do ecrã:	149
9.2 Descrição das funções	150
9.2.1 Bomba ON/OFF (AUTO MODE, MANUAL MODE)	150
9.2.2 Fase de escorvamento	151
9.2.3 Reset aos alarmes	151
9.2.4 Indicação de corrente ON/OFF	151
9.2.5 Indicação de bomba On/off	151
9.2.6 Indicação de alarmes	151
9.2.7 Proteção contra o funcionamento a seco (Dry running protection)	151
9.2.8 Proteção contra as fugas (ANTI-LEAKAGE)	151
9.2.9 Max pump on	151
9.2.10 Alarme do sensor de pressão	151
9.3 Primeiro arranque	151
9.3.1 Teste dos indicadores luminosos	151
9.3.2 Primeiro escorvamento	151
9.4 Operações normais com CUT-OUT desabilitado (de fábrica)	152
9.5 Operações normais com CUT-OUT habilitado	152
10. PRECAUÇÕES	152
11. MANUTENÇÃO E LIMPEZA	152
11.1 Limpeza do filtro de sucção	152
11.2 Limpeza da válvula de retenção NRV	152
12. Localização avarias	152
13. GARANTIA	153

AVISOS



Antes de fazer a instalação, ler muito bem todo este documento.



Antes de qualquer intervenção, retirar a ficha da tomada. Evitar absolutamente o funcionamento a seco.



Proteger a electrobomba das intempéries.



Protecção contra a sobrecarga: a bomba é dotada de um aparelho de protecção térmica. Em caso de possível sobreaquecimento do motor, o aparelho de protecção desliga a bomba automaticamente. O tempo de arrefecimento é de cerca de 15-20 min e em seguida a bomba liga-se automaticamente. Após a intervenção da protecção, é absolutamente necessário localizar a causa e eliminá-la. Consulte o parágrafo Localização dos Defeitos.

1. APLICAÇÕES

Bombas centrífugas auto-ferrantes de jacto com óptima capacidade de aspiração também na presença de água gaseificada. Indicadas especialmente para o abastecimento de água e pressurização em casas no campo. Apropriadas para hortas e jardins de pequenas dimensões, emergências e utilização doméstica em geral. Graças à forma compacta e maneável também podem ser utilizadas como bomba portátil para em casos de emergências, como sucção de água de reservatórios ou rios. **Em caso de produto provido de Wifi, consultar o guia rápido.**



Esta bomba não pode ser utilizada em piscinas, lagoas, lagos com presença de pessoas e/ou para a bombagem de hidrocarbonetos (gasolina, gasóleo, óleos combustíveis, solventes etc.) segundo as normas de prevenção de acidentes vigentes em matéria. Antes de arrumar a bomba, recomenda-se fazer a limpeza. Consultar o capítulo “Manutenção e Limpeza”.

2. LÍQUIDOS BOMBEÁVEIS

Limpo, sem corpos sólidos ou abrasivos, não agressivo.

Águas doces	•
Águas pluviais (filtrada)	•
Águas limpas residuais	○
Águas sujas	○
Água de chafariz (filtrada)	•
Água de rio ou lago (filtrada)	•
Água potável	•

Tabela 1

- Adequado
- Não adequado

3. DADOS TÉCNICOS E LIMITAÇÕES DE USO

- **Tensão de alimentação: 220-240V**, veja a placa de características elétricas.
- **Fusíveis de linha de ação retardada (versão 220-240V)**: valores indicativos (Ampere).
- **Temperatura de armazenagem: -10°C +40°C**.

Modelo	Fusíveis de linha 220-240V 50Hz
P1= 850	4
P1= 1100	6
P1= 640	4
P1= 920	6

Tabela 2

	Modelo	P1=850	P1=1100	P1=640	P1=920
Dados elétricos	P1 Potência nominal absorvida [W]	850	1100	640	920
	P2 [W]	600	750	380	560
	Voltagem de rede [V]	1~220-240 AC			
	Frequência de rede [Hz]	50			
	Corrente [A]	3.88	4.58	3.10	4.20
	Condensador [µF]	12.5	16	16	12.5
	Condensador [Vc]	450			
Dados Hidráulicos	Caudal máx. [l/h]	3180	3750	3600	4800
	Altura manométrica máx. [m]	43	45	32	40
	Altura manométrica máx. [bar]	4.3	4.5	3.2	4.0
	Pressão máx. [bar]	6			
	Profundidade máx. de sucção [m/min]	8m / <3min		6m / <3min	
Campo de aplicação	Compr. Cabo de alimentação [m]	1.5			
	Tipo de cabo	H07 RNF			
	Grau de proteção do motor	IP X4			
	Classe de isolamento	F			
	Intervalo de temperatura do líquido [°C] segundo EN 60335-2-41 para utilização doméstica	0 °C / +35 °C			
	Dimensão máx. das partículas	água limpa			
	Máx. Temperatura ambiente [°C]	+40 °C			
Peso	DNM GAS	1" M			
	Peso líquido/bruto aprox. [kg]	9.6/11.8	10.3/12.5	10.1/12.1	10.9/12.9

Tabela 3



A bomba não pode sustentar o peso de tubagens. Este peso deve ser apoiado em outra posição.

4. GESTÃO

4.1 Armazenagem

Todas as bombas devem ser armazenadas em lugar coberto, seco e com humidade do ar possivelmente constante, sem vibrações ou poeira. São fornecidas na sua embalagem original na qual devem ser mantidas até que tenham sido instaladas.

4.2 Transporte

Evitar submeter os produtos a batidas ou choques inúteis.

4.3 Peso e dimensões

Na plaqueta adesiva da embalagem está indicado o peso total da eletrobomba e as suas dimensões.

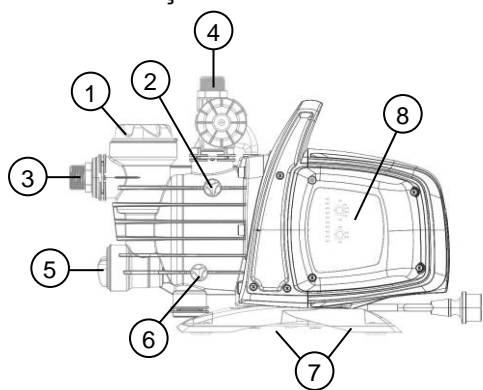
5. AVISOS



As bombas nunca devem ser transportadas, levantadas ou acionadas se suspensas pelo cabo de alimentação. Utilizar apenas a pega.

- A bomba não deve nunca funcionar a seco.
- Recomenda-se a abrir/fechar os tampões de drenagem/descarga (2 e 6) sem utilizar uma força excessiva.

6. INSTALAÇÃO



- 1 Pré-filtro
- 2 Tampa do respiro
- 3 Ligeira de sucção orientável
- 4 Ligeira de descarga
- 5 Válvula de retenção integrada
- 6 Tampa de descarga
- 7 Pés de borracha antivibratórios
- 8 Interface eletrônica de gestão

A eletrobomba deve ser instalada em lugar protegido das intempéries e com temperatura ambiente não superior a 40 °C.

A bomba está equipada com pés antivibratórios, mas em caso de instalações fixas é possível retirá-los e fazer a ancoragem na base de apoio (7).

Evitar que os tubos transmitam esforços excessivos aos bocais da bomba (3) e (4), para que não haja deformações nem ruturas.

É sempre boa norma posicionar a bomba o mais perto possível do líquido a bombear.

A bomba deve ser instalada exclusivamente em posição horizontal.

As tubagens nunca devem ser de diâmetro interior inferior ao dos bocais da eletrobomba. Na sucção a bomba possui filtro (1) e válvula de retenção (NRV) (5).

Para profundidades de aspiração além dos quatro metros com longos percursos horizontais, é aconselhável a utilização de um tubo de aspiração de diâmetro superior ao da boca de aspiração da eletrobomba. Para evitar a formação de bolsas de ar no tubo de aspiração, prever uma leve inclinação positiva do próprio tubo de aspiração para a eletrobomba. Fig.2

Se a tubagem de sucção for de borracha ou de material flexível, controlar sempre que seja do tipo reforçado resistente ao vácuo para evitar retrações pelo efeito da sucção.

Em caso de instalação fixa, recomenda-se montar uma válvula de fecho tanto no lado de sucção como no lado de recalque. Isso permite fechar a linha a montante e/ou a jusante da bomba, o que é útil para todas as operações de manutenção e limpeza ou para os períodos de não utilização da bomba.

A bomba está equipada com entrada rotatórias para facilitar a instalação. (3) e (4)

Em caso de tubos flexíveis, se necessário, utilizar uma curva (fig. 1) e o kit de jardinagem composto de tubagem em PE e kit de ligações com agulheta, não fornecidos, mas que podem ser comprados separadamente.

Em caso de sujidades de pequenas dimensões, recomenda-se utilizar um filtro na entrada da bomba montado no tubo de sucção, além do filtro integrado (1).

- Não submeter o motor a um número de arranques por hora excessivo. Recomenda-se vivamente não superar 20 arranques por hora.



O diâmetro do tubo de sucção deve ser maior ou igual ao diâmetro do bocal da eletrobomba. Ver o Tabela 3.

7. LIGAÇÃO ELÉTRICA



Verificar se a tensão de rede corresponde à nominal do motor a alimentar e se é possível REALIZAR UMA BOA LIGAÇÃO À TERRA. Seguir as instruções da placa de características técnicas e o quadro 3 deste manual.

O comprimento do cabo de alimentação presente na bomba limita a distância de instalação. Se for necessária uma extensão, certificar-se que seja do mesmo tipo (ex. H05 RN-F ou H07 RN-F consoante a instalação). Ver tabela 3.

8. ARRANQUE



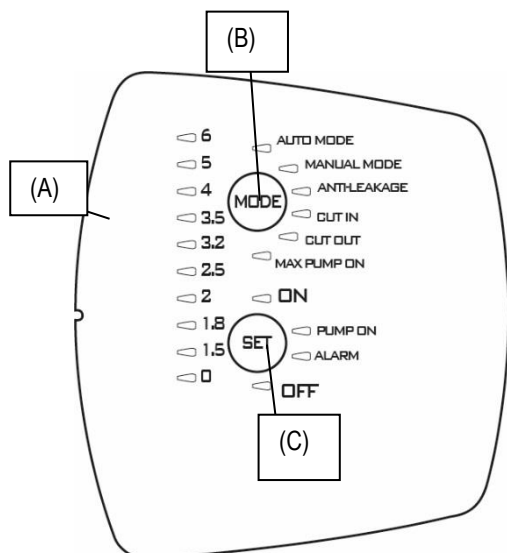
Não acionar a bomba se não estiver completamente cheia de líquido, cerca de 4 litros, até sair pela tampa do respiro (2). Se o líquido terminar, desligar de imediato a bomba retirando a ficha da tomada. Evitar o funcionamento a seco.

1. Antes do arranque, deve ser feito o escorvamento da bomba enchendo-a por completo com água limpa através da respetiva abertura, depois de ter retirado a tampa de enchimento do filtro transparente (1), com as mãos ou com o instrumento fornecido. Abrir ao mesmo tempo a tampa de respiro (2) para que o ar saia. Esta operação é fundamental para o funcionamento perfeito da bomba, indispensável para que o empanque mecânico resulte bem lubrificado. **O funcionamento sem líquido provoca danos irreparáveis no empanque mecânico.**
2. A tampa de enchimento deverá ser aparafusada de novo muito bem até parar (1), como a tampa de respiro.
3. Ligar a ficha do cabo de alimentação a uma tomada de corrente de 220-240V. **Atenção!** O motor da bomba arranca de imediato, a água começa a sair depois de no máximo 3 minutos. Isso depende da profundidade do nível da água, no poço ou cisterna.
4. A bomba continua a funcionar e distribuir água. **Atenção!** Prevenir o funcionamento a seco.
5. Para desligar a bomba, retirar a ficha da tomada.



Em caso de problemas com o escorvamento, repetir o procedimento até eliminar todo o ar da aspiração.

9. INTERFACE ELETRÓNICA DE GESTÃO



9.1 Características gerais

Descrição	Parâmetros
Voltagem, frequência da placa	1x220-240V, 50/60 Hz
Indicação de corrente on/off	●
Indicação de motor on/off	●
Indicação de alarmes	●
Indicação de pressão	●
Indicação de modo	●
Auto Mode	●
Manual Mode	○
Proteção contra funcionamento a seco	●
Proteção contra fugas	○
Proteção Max pump on	○ (30 minutos)
Pressão Cut-in	○ Variável (1,5 – 3,0 bar)
Pressão Cut-out	○ (Cut-in + 1 bar)
Auto-escorvamento	●
Botões de seleção	●

● = Fixo; ○ = Seleccionável

9.1.1 DESCRIÇÃO DO ECRÃ:

(A) Indicadores luminosos de pressão

Utilizam-se 10 indicadores luminosos para indicar a pressão de 0 até 6 bar. Quando a pressão no sistema se altera, os indicadores luminosos acendem-se ou apagam-se.

Função	Configuração do ecrã	Set	Reset ao Alarme
Auto Mode		ON: Habilita OFF: Desabilita	
Manual mode		ON: Habilita OFF: Desabilita	
Anti-leakage		ON: Habilitado OFF: Desabilitado	Premir SET
Cut in		Incrementa/Decrementa	
Cut out		Incrementa/Decrementa OFF: desabilitado	
Max pump on		ON: habilitado OFF: desabilitado	Premir SET

(B) Botão de seleção do MODO

Modos seleccionáveis:

- 1) AUTO_MODE;
- 2) MANUAL_MODE;
- 3) ANTI LEAKAGE;
- 4) CUT_IN;
- 5) CUT_OUT;
- 6) MAX_PUMP_ON;

Para desbloquear a escolha das funções, em “MODE” premir a tecla “MODE” durante 5 segundos.

Premir “MODE” para percorrer os diversos modos de funcionamento (AUTO_MODE ou MANUAL_MODE) ou parâmetros a modificar (CUT IN e CUT OUT) ou para habilitar algumas funções (ANTI-LEAKAGE e MAX PUMP ON). O indicador luminoso da função escolhida ficará intermitente ao percorrer os modos. Ao voltar para AUTO_MODE, as funções ficarão com o respetivo indicador luminoso aceso de forma fixa. Consultar o parágrafo 2 (Descrição das funções).

Indicadores luminosos em “MODE”

AUTO MODE: a bomba funcionará no modo automático (consultar o par. 9.2.1)

MANUAL MODE: a bomba funciona no modo manual (consultar o par. 9.2.1); é o utilizador que decide ligá-la ou desligá-la através do botão “SET”. SET-ON ligada SET-OFF desligada.

CUT-IN: configuração de pressão (sempre habilitado); pressão mínima abaixo da qual a bomba ativa-se, configurável entre 1.5 e 3.0 bar. Configuração de fábrica 1.8 bar. A bomba arranca mesmo se o fluxo for inferior a um valor mínimo de 1,5 l/min configuração de fábrica.

CUT-OUT: configuração de pressão (desabilitado). Pressão acima da qual a bomba para; a configuração de fábrica é “CUT-IN” + 1 LED, mas pode aumentar-se até 3.5 bar (50.8 psi).

Para habilitá-la, selecionar a função premindo “MODE” até o indicador luminoso correspondente a CUT-OUT ficar intermitente, de seguida:

- 1) premir SET **por 10 segundos** para desbloquear a função (então acenderão as luzes LED nos valores de pressão),
- 2) premir SET para seleccionar o valor desejado,
- 3) para desabilitar a função, posicionar o valor de cut-out em 0 [bar ou psi],
- 4) sair da programação premindo MODE.

OBSERVAÇÃO: o valor de CUT-OUT pode ser modificado SOMENTE depois de desbloqueada a função premindo a tecla SET por 10 segundos. Após 1 segundo sem ter premido nenhum botão, a função irá bloquear-se novamente.

ANTI-LEAKAGE: proteção contra fugas. A função pode ser habilitada ou desabilitada. Vem configurada de fábrica em desabilitada. Quando habilitada, se houver a condição e a bomba arrancar mais de 6 vezes em 2 minutos, a bomba para e o erro é indicado através da intermitência lenta do indicador luminoso vermelho em “ALARM”.

Para habilitar, selecionar a função premindo “MODE” até o indicador luminoso correspondente ficar intermitente, de seguida premir SET até o led “ON” se acender. Para desabilitar, premir SET até a luz acesa indicar OFF.

Uma vez eliminada a causa, fazer reset ao alarme, se ainda ativo (consultar o par. 9.2.3)

MAX PUMP ON: período máximo de funcionamento. A função pode ser habilitada ou desabilitada. Vem configurada de fábrica em desabilitada. Quando habilitada, se a bomba funcionar durante mais de 30 minutos, a bomba para e nenhuma indicação de erro é apresentada.

Esta função é utilizada para proteger a instalação se a torneira for deixada acidentalmente aberta, em caso de rutura de uma tubagem ou de aplicações para irrigação.

Para habilitar, selecionar a função premindo “MODE” até o led correspondente à função MAX PUMP ON se acender, de seguida premir SET até o led “ON” se acender. Para desabilitar, premir SET até a luz acesa indicar OFF.

(C) Botão de seleção SET

Modos selecionáveis:

- 1) Reset aos alarmes.
- 2) Habilitar/desabilitar em MODE (MAX_PUMP_ON, ANTI-LEACKAGE).
- 3) Incrementar parâmetros em MODE (CUT_IN; CUT_OUT).
- 4) Motor ON/OFF em MANUAL MODE.
- 5) Bomba ligada/bomba em standby em AUTO MODE.

Premir “SET” para modificar os parâmetros, se o indicador luminoso estiver aceso em MODE-CUT IN ou MODE-CUT OUT, o valor será apresentado na barra de indicadores luminosos da pressão. Premindo “SET” o valor será incrementado. Depois de configurar o valor desejado, sair da modificação premindo “MODE” e o indicador luminoso volta para MODE-AUTO e SET “ON” habilitado.

Premir SET também para habilitar/desabilitar as funções Anti-leakage e Max pump On. Depois de selecionar a função com a tecla “MODE”, habilitá-la selecionando SET-ON; para desabilitá-la selecionar SET-OFF.

No modo “MANUAL”, a tecla SET servirá para ligar ou desligar a bomba, indicador luminoso em “On” ou “OFF”.

No modo automático AUTO-MODE servirá para habilitar “ON” ou colocar em standby “OFF”.

PUMP ON: indicação que coincide com o motor ligado.

9.2 Descrição das funções

9.2.1 BOMBA ON/OFF (AUTO MODE, MANUAL MODE)

Cut-out desabilitado → ao ligar a ficha depois do teste dos indicadores luminosos, a bomba é ligada durante 10 segundos.

Cut-out habilitado → Depois que foi ligada a ficha, é feito o teste dos indicadores luminosos durante os primeiros 3 segundos (o acendimento do indicador luminoso 0 indica sempre a presença de corrente) e é configurado por defeito o modo “AUTO MODE” com acendimento do indicador luminoso “ON”. A bomba começará a funcionar se a pressão for inferior ao valor de CUT-IN e o fluxo inferior ao fluxo mínimo de cut-in. A bomba continuará a funcionar enquanto a pressão for inferior ao valor de CUT-OUT, e alcançado este valor desligar-se-á independentemente do fluxo.

Se for selecionado o modo “**MANUAL MODE**”, premindo uma vez a tecla “**MODE**”, a bomba arranca se o indicador luminoso “**ON**” estiver aceso, caso contrário, premindo “**SET**”, a bomba para e acende-se o indicador luminoso “**OFF**”.

Quando a bomba começar a funcionar, entrará no modo ESCORVAMENTO.

NB: Certificar-se de seguir as instruções para a instalação e que a bomba seja enchida completamente com água.

9.2.2 FASE DE ESCORVAMENTO

Quando a bomba começa a funcionar, entra no modo de escorvamento. Durante esta fase, se não detetar fluxo e pressão, manterá o motor ligado durante 3 minutos e de seguida ativará o alarme de funcionamento a seco. Mas se neste intervalo de tempo detetar o fluxo ou pressão, o escorvamento é feito e a bomba funciona normalmente.

9.2.3 RESET AOS ALARMES

Quando se ativa um alarme, o indicador luminoso vermelho acende-se em “**ALARM**”. É feito o reset ao alarme premindo uma vez a tecla “**SET**”. Se a causa que gerou o alarme foi eliminada, o funcionamento normal continua, caso contrário a bomba ativa de novo o alarme.

9.2.4 INDICAÇÃO DE CORRENTE ON/OFF

Se houver corrente, o indicador luminoso de pressão 0 na barra de indicadores luminosos permanece aceso. Se não houver corrente, este indicador luminoso permanece apagado.

N.B.: para períodos prolongados de inatividade, recomenda-se retirar a ficha da tomada para desligar a corrente.

9.2.5 INDICAÇÃO DE BOMBA ON/OFF

Quando o motor está a funcionar, uma luz azul em “**PUMP ON**” deve estar acesa para indicar o funcionamento. Quando o motor para, este indicador luminoso fica apagado.

9.2.6 INDICAÇÃO DE ALARMES

Uma luz vermelha fixa ou botão em “**ALARM**” ativa-se quando há um alarme.

Funcionamento a seco (Dry-running): luz vermelha fixa.

Fuga (Leakage): intermitência lenta.

Max Pump ON (bomba a funcionar durante mais de 30 minutos): 2 intermitências rápidas com intervalos de uma pausa mais longa.

Premir “**SET**” para reconhecer os alarmes.

9.2.7 PROTEÇÃO CONTRA O FUNCIONAMENTO A SECO (DRY RUNNING PROTECTION)

Se a bomba estiver a funcionar a seco, depois de alguns segundos (40 s) a bomba para e é apresentada uma indicação de erro com indicador luminoso vermelho aceso fixo em “**ALARM**”.

Depois de um primeiro período de 30 minutos em que a bomba está em OFF, é feita uma nova tentativa de arranque de 5 minutos de duração. Se nem assim arrancar, será feita uma outra tentativa a cada 30 minutos, até 48 vezes no máximo. Se todas estas tentativas falirem, será feita uma nova tentativa a cada 24 horas.

O dispositivo desativa automaticamente o alarme de funcionamento a seco se houver fluxo e/ou pressão.

Se for feito o reset ao alarme (consultar o par. 9.2.3), uma nova tentativa será feita durante 40 segundos.

Eliminar as causas e fazer reset ao alarme (consultar o par.9.2.3).

9.2.8 PROTEÇÃO CONTRA AS FUGAS (ANTI-LEAKAGE)

A função pode ser habilitada ou desabilitada. Vem configurada de fábrica em desabilitada. Quando habilitada, se houver a condição e a bomba arrancar mais de 6 vezes em 2 minutos, a bomba para e o erro é indicado através da intermitência lenta do indicador luminoso vermelho em “**ALARM**”.

Eliminar as causas e fazer reset ao alarme (consultar o par. 9.2.3).

Para o procedimento de habilitação, consultar o par. Anti-leakage.

9.2.9 MAX PUMP ON

Período máximo de funcionamento. A função pode ser habilitada ou desabilitada. Vem configurada de fábrica em desabilitada. Quando habilitada, se a bomba funcionar durante mais de 30 minutos, a bomba para e fica intermitente ALARM.

Esta função é utilizada para proteger a instalação se a torneira for deixada acidentalmente aberta, em caso de rutura de uma tubagem ou de aplicações para irrigação.

9.2.10 ALARME DO SENSOR DE PRESSÃO

O dispositivo ativa o alarme do sensor de pressão se o valor da pressão estiver fora do intervalo de trabalho (0-15 bar). A bomba desliga-se e o erro é anulado assim que as condições de pressão voltam para o intervalo.

9.3 Primeiro arranque

9.3.1 TESTE DOS INDICADORES LUMINOSOS

Na altura do primeiro arranque ou depois de ter ligado a ficha à tomada de corrente, é feito o teste dos 20 indicadores luminosos. É um teste de alguns segundos durante os quais todos os indicadores luminosos acendem-se em sequência.

9.3.2 PRIMEIRO ESCORVAMENTO

A bomba ativará automaticamente o **AUTO** mode e estará configurada em **ON**.

É possível ter três condições:

- 1) Fluxo presente, mas pressão baixa: sai da fase de escorvamento e começa o funcionamento normal.
- 2) Pressão, mas não há fluxo: depois de 10 segundos em que permanece nesta condição, a bomba desliga-se.
- 3) Nenhum fluxo nem pressão: a bomba desliga-se e aparece um erro de funcionamento a seco, depois de cerca de 3 minutos, sinalizado pelo indicador luminoso vermelho aceso em SET-ALARM. Eliminar a causa e reconhecer o alarme (consultar 9.2.3).

9.4 Operações normais com CUT-OUT desabilitado (de fábrica)

Cut-out desabilitado significa que existem as seguintes condições:

- A bomba ativa-se se há fluxo ou por falta de pressão, pressão inferior ao CUT-IN (em 10 ms)
- é interrompido o funcionamento da bomba se houver pressão, mas não houver fluxo continuamente durante 10 segundos.

O indicador luminoso CUT-OUT fica apagado durante o funcionamento normal. Para a modificação da configuração, consultar o par. 9.1.1.B

9.5 Operações normais com CUT-OUT habilitado

Cut-out habilitado significa que há as seguintes condições:

- A bomba arranca se a pressão for inferior à pressão de CUT-IN.
- A bomba para se a pressão for superior à pressão de CUT-OUT.

O indicador luminoso CUT-OUT fica aceso durante o funcionamento normal. Para a modificação da configuração, consultar o par. 9.1.1.B

10. PRECAUÇÕES

PERIGO DE GELO: quando a bomba permanecer inativa e a temperatura for inferior a 0 °C, é necessário assegurar-se que não haja água, pois há o risco de congelação que causaria fissuras nas partes de plástico.

Se a bomba foi utilizada com substâncias que podem depositar-se ou com água com cloro, enxaguar após a utilização com um forte jato de água para evitar que se formem depósitos ou incrustações que podem prejudicar as características da bomba.

11. MANUTENÇÃO E LIMPEZA

Durante o funcionamento normal, a eletrobomba não necessita de nenhum tipo de manutenção. Em todo o caso, todas as intervenções de reparação e manutenção devem ser feitas somente após ter desligado a bomba da rede de alimentação. Na altura do novo acionamento da bomba, certificar-se que esta tenha sido montada corretamente para que não haja perigo para as coisas e pessoas.

11.1 Limpeza do filtro de sucção (Fig.3)

- Desligar a alimentação elétrica da bomba.
- Esvaziar a bomba. Para tal, abrir a tampa de descarga (6) depois de fechar as válvulas a montante (quando presentes).
- Desaparafusar a tampa da câmara do filtro, com as mãos ou com o acessório fornecido.
- Retirar a unidade do filtro pela parte superior.
- Enxaguar o copo com água corrente e limpar o filtro com uma escova macia.
- Voltar a montar o filtro seguindo as operações no sentido oposto.

11.2 Limpeza da válvula de retenção NRV (Fig.4)

- Desligar a alimentação elétrica da bomba.
- Retirar a tampa da válvula NRV (5) utilizando o acessório fornecido.
- Retirar a válvula de retenção e limpá-la para remover a sujidade.
- Montar as partes no sentido oposto à sequência de desmontagem.

12. LOCALIZAÇÃO AVARIAS



Antes de iniciar a localização dos defeitos, é necessário desligar a ligação eléctrica da bomba (desligar a fichada tomada). Se o cabo eléctrico ou a bomba, em qualquer parte eléctrica, estiver danificado, a intervenção de reparação ou substituição deve ser feita pelo Fabricante ou pelo seu serviço de assistência técnica ou por uma pessoa com qualificação equivalente, de modo a prevenir todos os riscos.

INCONVENIENTES	VERIFICAÇÕES (causas possíveis)	REMÉDIOS
1. O motor não arranca e não produz ruído.	A. Verificar as ligações eléctricas. B. Verificar que o motor seja alimentado. C. Verificar os fusíveis de protecção. D. Possível atuação do disjuntor térmico.	C. Se queimados, substituir. D. Aguardar cerca de 20 min para que o motor arrefeça. Localizar a causa e eliminá-la. Atenção: se a avaria se repetir imediatamente, significa que o motor está em curto-circuito.
2. O motor não arranca mas produz ruído.	A. Verificar se a tensão da rede corresponde à nominal. B. Procurar eventuais obstruções da bomba ou do motor. C. Verificar se o eixo não está bloqueado. D. Verificar o estado do condensador.	B. Remover as obstruções. C. Com o instrumento fornecido, desaparafusar a tampa e com uma chave de parafuso desbloquear o eixo. D. Substituir o condensador.

3. O motor funciona com dificuldade.	A. Certificar-se de que a tensão de alimentação não seja insuficiente. B. Verificar possíveis atritos entre partes móveis e partes fixas.	B. Tratar de eliminar as causas do atrito.
4. A bomba não fornece líquido.	A. A bomba não foi ferrada correctamente. B. Tubo de aspiração com diâmetro insuficiente. C. Válvula de retenção NRV ou filtros obstruídos.	A. Encher a bomba de água e fazer o escorvamento. É necessário desaparafusar a tampa do respiro para que o ar saia. B. Substituir o tubo por um de diâmetro superior. C. Limpar de novo o filtro e, se não for suficiente, também a válvula NRV.
5. A bomba não ferra.	A. Sucção do ar através do tubo de sucção. B. A inclinação negativa do tubo de aspiração favorece a formação de bolsas de ar.	A. Eliminar o fenómeno, controlando a estanquidade das ligações e a tubagem de sucção, e repetir a operação de escorvamento. B. Corrigir a inclinação do tubo de aspiração.
6. A bomba fornece um débito insuficiente.	A. O tubo de sucção está obstruído. B. O impulsor está gasto ou obstruído. C. Tubos de aspiração de diâmetro insuficiente.	A. Limpar o tubo de sucção. B. Remover as obstruções ou substituir as peças gastas. C. Substituir o tubo por outro de diâmetro superior.
7. A bomba vibra com funcionamento ruidoso.	A. Verificar se a bomba e/ou os tubos estão fixados bem. B. A bomba está em cavitação, ou seja, a água pedida é mais da que consegue bombear. C. A bomba trabalha além dos dados nominais.	A. Fixar com mais cuidado as partes desapertadas. B. Reduzir a altura de aspiração e controlar as perdas de carga. C. Pode ser útil limitar o débito na compressão.

13. GARANTIA



Qualquer modificação não autorizada previamente isenta o fabricante de todo tipo de responsabilidade. Todas as peças sobresselentes utilizadas para as reparações devem ser originais e todos os acessórios devem ser autorizados pelo fabricante para poder garantir a máxima segurança das máquinas e dos sistemas nos quais estas podem ser montadas.

Este produto está coberto por garantia legal (na Comunidade Europeia durante 24 meses a contar da data de compra) contra todos os defeitos de fabrico ou do material utilizado.

O produto em garantia poderá ser, à discricção, substituído por um em perfeito estado de funcionamento ou reparado gratuitamente se cumpridas as seguintes condições:

- o produto foi utilizado de modo correto e conforme as instruções e não houve tentativa de reparação pelo comprador ou terceiros;
- o produto foi entregue ao ponto de venda onde adquirido, com o documento que comprova a compra anexado (fatura ou talão de compra) e uma breve descrição do problema ocorrido.

O impulsor e as partes sujeitas a desgaste não são abrangidos pela garantia. A intervenção ao abrigo da garantia não aumenta o período inicial de forma alguma.

INDICE

1. APLICAȚII	154
2. LICHIDE CE POT FI POMPATE	155
3. DATE TEHNICE ȘI LIMITĂRI DE FOLOS	155
4. GESTIUNE	155
4.1 Immagazinare	155
4.2 Transport	155
4.3 Greutate și dimensiuni	155
5. AVERTISMENTE	155
6. INSTALARE	156
7. BRANȘAMENT ELECTRONIC	156
8. PORNIRE	156
9. INTERFAȚA ELECTRONICĂ DE GESTIUNE	157
9.1 Prezentare generală a caracteristicilor	157
9.1.1 Descrierea afișajului:	157
9.2 Descrierea funcțiilor	158
9.2.1 Pompa ON/OFF (AUTO MODE, MANUAL MODE)	158
9.2.2 Faza de amorsare	159
9.2.3 Resetarea alarmelor	159
9.2.4 Indicare tensiune ON/OFF	159
9.2.5 Indicare pompă On/off	159
9.2.6 Indicare alarme	159
9.2.7 Protecție împotriva funcționării uscate (Dry running protection)	159
9.2.8 Protecție împotriva pierderilor (ANTI-LEAKAGE)	159
9.2.9 Max pump on	159
9.2.10 Alarma senzor de presiune	159
9.3 Prima pornire	159
9.3.1 Testare ledurilor	159
9.3.2 Prima amorsare	159
9.4 Funcționarea normală cu CUT-OUT dezactivat (din fabrică)	159
9.5 Funcționarea normală cu CUT-OUT activat	160
10. PRECAUȚII	160
11. ÎNTREȚINERE ȘI CURĂȚIRE	160
11.1 Pulizia del filtro di aspirazione	160
11.2 Curățarea NRV	160
12. REZOLVAREA PROBLEMELOR	160
13. GARANȚIA	161

AVERTISMENTE



Înainte de a începe montarea citiți cu atenție întreaga documentație.



Înainte de orice intervenție, scoateți cablul de alimentare din priză. Evitați neapărat funcționarea uscată.



Protejați electropompa împotriva intemperțiilor.



Protecție la suprasarcină. Pompa este prevăzută cu dispozitiv de protecție termică a motorului. În caz de supraîncălzire a motorului, dispozitivul de protecție oprește pompa automat. Timpul de răcire este de aproximativ 15-20 min., apoi pompa repornește automat. După declanșarea dispozitivului de protecție a motorului este necesar să identificați și să eliminați cauza care a determinat-o. Consultați Rezolvarea problemelor.

1. APLICAȚII

Pompe cu autoamorsare, cu jet și capacitate optimă de aspirație chiar și în prezența aerului în apa aspirată. Indicate în special pentru alimentare cu apă și presurizare pentru ferme. Recomandate pentru îngrijirea la scară mică a grădinilor de legume și pentru grădinarit, situații casnice de urgență și activități amatoriile în general. Datorită formei compacte și ușor de manevrat poate fi folosită și în aplicații speciale, precum pompă portabilă pentru situații de urgență, cum ar fi scoaterea apei din rezervoare sau râuri.

În cazul unui produs echipat cu Wifi, consultați quick guide.



Aceste pompe nu pot să fie utilizate în piscine, iazuri, bazine în prezența persoanelor, sau pentru pomparea hidrocarburilor (benzina, motorina, uleiuri combustibile, solvenți, etc.) conform normelor de prevenire a accidentelor în vigoare. Înainte de înmagazinare este bine să asigurați curățarea acestora. A se vedea capitoul „Întreținerea și curățarea”.

2. LICHIDE CE POT FI POMPATE

Curat, fara corpuri solide sau abrazive, neagresiv.

Apă dulce	•	Tabel 1
Apă de ploaie (filtrată)	•	
Ape pluviale	○	
Ape murdare	○	
Apă de fântână (filtrată)	•	
Apă de râu sau de lac (filtrată)	•	
Apă potabilă	•	

- Adecvată
- Neadecvată

3. DATE TEHNICE ȘI LIMITĂRI DE FOLOS

- **Tensiune de alimentare: 220-240V**, a se vedea plăcuța date tehnice.
- **Fuzibili de linie întârziati (versiunea 220-240V):** valori indicative (Amper).
- **Temperatură de magazinaj:** -10°C +40°C.

Model	Fuzibili de linie 220-240V 50Hz
P1= 850	4
P1= 1100	6
P1= 640	4
P1= 920	6

Tabel 2

	Model	P1=850	P1=1100	P1=640	P1=920
Date electrice	P1 Putere absorbită nominală [W]	850	1100	640	920
	P2 [W]	600	750	380	560
	Tensiune de alimentare [V]	1~220-240 AC			
	Frecvență de alimentare [Hz]	50			
	Curent [A]	3.88	4.58	3.10	4.20
	Condensator [μF]	12.5	16	16	12.5
	Condensator [Vc]	450			
	Date hidraulice	Debit max. [l/h]	3180	3750	3600
Înălțime de pompare max. [m]		43	45	32	40
Înălțime de pompare max. [bar]		4.3	4.5	3.2	4.0
Presiune max. [bar]		6			
Adâncime de aspirare max. [m/min]		8m / <3min		6m / <3min	
Domeniu de utilizare	Lung. cablu alimentare [m]	1.5			
	Tip cablu	H07 RNF			
	Grad de protecție motor	IP X4			
	Clasă de izolație	F			
	Interval temperatură lichid [°C] conform EN 60335-2-41 pentru uz casnic	0 °C / +35 °C			
	Dimensiune max. particule	apă curată			
	Temperatură ambientă max. [°C]	+40 °C			
Greutate	DNM GAS	1" M			
	Greutate netă/brută aprox. [kg]	9.6/11.8	10.3/12.5	10.1/12.1	10.9/12.9

Tabel 3



Pompa nu poate susține greutatea conductelor, pentru a căror susținere trebuie să se găsească o altă soluție.

4. GESTIUNE

4.1 Inmagazinare

Toate pompele trebuie să fie inmagazinate în loc acoperit, uscat și cu umiditatea aerului dacă este posibil constantă, fără vibrații și prafuri. Sunt livrate în ambalajul original în care trebuie să rămână până în momentul instalării.

4.2 Transport

Evitați să supuneți produsele la lovituri și ciocniri inutile.

4.3 Greutate și dimensiuni

Eticheta adezivă de pe ambalaj indică greutatea totală a electropompei și dimensiunile sale.

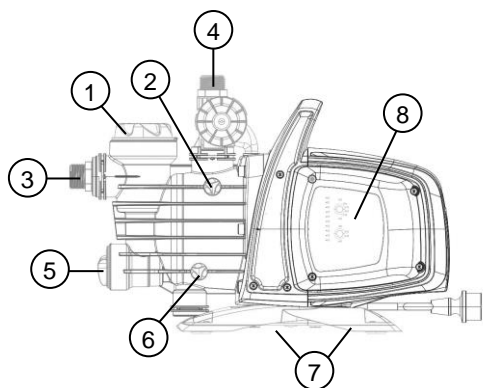
5. AVERTISMENTE



Pompele nu trebuie niciodată transportate, ridicate sau puse în funcțiune suspendate de cablul de alimentare, folosiți mânerul special.

- Pompa nu trebuie niciodată să fie pus în funcțiune pe uscat.
- Se recomandă deschiderea/inchiderea dopurilor de aerisire/descărcare fără a utiliza forță în exces.

6. INSTALARE



- 1 Prefiltru
- 2 Bușon de aerisire
- 3 Racord de aspirație orientabil
- 4 Racord de refulare
- 5 Supapă de reținere integrată
- 6 Bușon de evacuare
- 7 Piciorușe din cauciuc antivibrație
- 8 Interfața electronică de gestiune

Electropompa trebuie montată într-un spațiu protejat împotriva intemperiei și cu o temperatură ambiantă nu mai mare de 40°C.

Pompa este prevăzută cu picioarușe antivibrație; în cazul aplicațiilor fixe, acestea pot fi scoase și se poate prevedea un sistem de ancorare în baza de susținere (7).

Evitați suprasolicitarea de către conductele a gurilor (3) și (4) ale pompei, pentru a nu cauza deformarea sau ruperea acestora.

Este bine să poziționați pompa cât mai aproape posibil de lichidul de pompare.

Pompa trebuie să fie instalată numai în poziție orizontală. Diametrul intern al conductelor nu trebuie să fie niciodată mai mic decât cel al gurilor electropompei; pe latura aspirației, pompa este prevăzută cu un filtru (1) și o supapă de reținere (NRV) (5). Pentru o adâncime de aspirare mai mare de 4 metri sau cu trasee mari pe orizontală, este recomandat să folosiți o teavă de aspirație de diametru mai mare decât cel al gurii de aspirație a electropompei. Pentru a evita acumularea aerului în teava de aspirație, prevedeați o ușoară înclinare a tevi de aspirație urcând spre electropompa. Fig.2

În cazul în care conducta de aspirație este din cauciuc sau alte materiale flexibile verificați întotdeauna dacă este ranforsată și rezistentă la vid, pentru a evita **scurtări** ca efect al aspirației.

În cazul unei aplicații cu instalare fixă, se recomandă montarea unei supape de închidere atât pe latura de aspirație, cât și pe cea de refulare. În acest fel linia poate fi închisă în amonte/în aval de pompă, închidere utilă în cazul intervențiilor de întreținere și curățare și atunci când pompa nu este folosită.

Pompa este prevăzută cu intrare rotative pentru a facilita instalarea. (3) și (4)

În cazul conductelor flexibile, dacă este necesar folosiți un cot fig.1 și setul de grădinarit compus din conducte din PE și seturi de racorduri cu tub, care nu sunt furnizate ci trebuie achiziționate separat.

În prezența murdăriei de mici dimensiuni se recomandă folosirea, pe lângă filtrul încorporat (1), și a unui filtru la intrarea pompei, montat pe conducta de aspirație.

- Nu supuneți motorul unui număr prea mare de porniri/oră; se recomandă să nu se depășească 20 de porniri/oră.



Diametrul conductei de aspirație trebuie să fie mai mare sau egal cu diametrul gurii electropompei, a se vedea Tabelul 3.

7. BRANȘAMENT ELECTRONIC



Asigurați-vă ca tensiunea din rețea să corespundă cu cea de pe tablita motorului de alimentare și ca este posibilă EFECTUAREA UNEI BUNE IMPAMANTARI. Respectați indicațiile de pe plăcuța cu date tehnice și din tabelul 3 din acest manual.

Lungimea cablului de alimentare al pompei limitează distanța de montare; dacă este necesar un prelungitor asigurați-vă că este de același tip (de ex. H05 RN-F sau H07 RN-F, în funcție de instalație) a se vedea tab.3.

8. PORNIRE



Nu porniți pompa fără să o fi umplut complet cu lichid, aproximativ 4 litri, până când iese prin bușonul de evacuare a aerului (2).

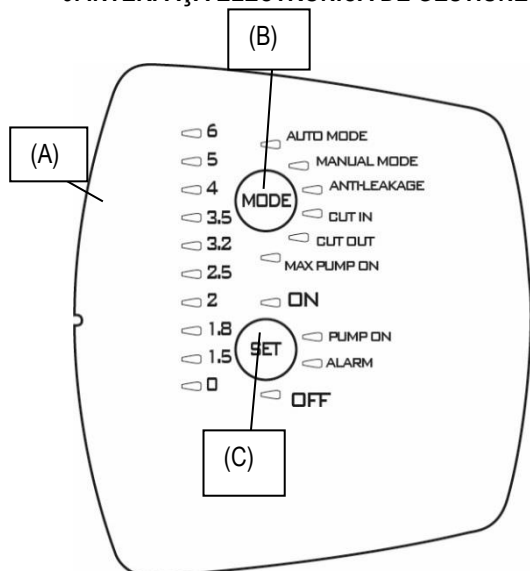
În cazul în care apa se termină scoateți imediat cablul de alimentare din priză, oprind pompa. Evitați funcționarea uscată.

1. Înainte de pornire verificați dacă pompa a fost amorsată corect, respectiv dacă a fost umplută complet, cu apă curată, prin orificiul corespunzător, după scoaterea bușonului de alimentare al filtrului transparent (1) în mod manual sau folosind scula furnizată. În același timp deschideți și bușonul de aerisire (2) pentru a permite ieșirea aerului. Aceasta operație este esențială pentru perfectă funcționare a pompei și indispensabilă pentru ca simeringurile să fie lubrifiate. **Funcționarea în gol provoacă degradarea simeringurilor.**
2. Bușonul de alimentare trebuie să fie apoi înșurubat bine până la punctul de oprire (1); la fel trebuie procedat și cu bușonul de aerisire (2).
3. Conectați cablul de alimentare la o priză de curent de 220-240V **Atenție!** Motorul pompei va porni imediat și apa va începe să iasă după cel mult 3 minute, în funcție de adâncimea nivelului apei în puț sau cisternă..
4. Pompa va continua să funcționeze și să evacueze apa. **Atenție!** Evitați funcționarea uscată.
5. Pentru a opri pompa scoateți cablul de alimentare din priză.



Dacă apar probleme la amorsare, repetați manevrele până când tot aerul din conducta de aspirație este eliminat.

9. INTERFAȚA ELECTRONICĂ DE GESTIUNE



9.1 Prezentare generală a caracteristicilor

Descriere	Parametri
Tensiune, frecvență placă	1x220-240V, 50/60 Hz
Indicare tensiune on/off	●
Indicare motor on/off	●
Indicare alarme	●
Indicare presiune	●
Indicare mod	●
Auto Mode	●
Manual Mode	○
Protecție împotriva funcționării uscate	●
Protecție împotriva pierderilor	○
Protecție Max pump on	○ (30 minute)
Presiune Cut-in	○ Variabilă (1,5 – 3,0 bar)
Presiune Cut-out	○ (Cut-in + 1 bar)
Auto-amorsare	●
Butoane selectare	●

● = Nemodificabil; ○ = Selectabil

9.1.1 Descrierea afișajului:

(A) Indicatoare de presiune cu led

Sunt folosite 10 Leduri pentru a indica presiunea între 0 și 6 bar. Când presiunea sistemului se modifică, ledurile se vor aprinde sau se vor stinge corespunzător.

Funcție	Configurare afișaj	Set	Reset Alarm
Auto Mode		ON: Activare OFF: Dezactivare	
Manual mode		ON: Activare OFF: Dezactivare	
Anti-leakage		ON: Activat OFF: Dezactivat	Apăsați SET
Cut in		Creștere/Descreștere	
Cut out		Creștere/Descreștere OFF: dezactivat	
Max pump on		ON: activat OFF: dezactivat	Apăsați SET

(B) Buton de selectare MODE

Moduri selectabile:

- | | |
|-------------------|-----------------|
| 1) AUTO_MODE; | 4) CUT_IN; |
| 2) MANUAL_MODE; | 5) CUT_OUT; |
| 3) ANTI LEACKAGE; | 6) MAX_PUMP_ON; |

Pentru a debloca alegerea funcțiilor în „MODE” apăsați tasta „MODE” timp de 5 secunde.

Apăsați „MODE” pentru a parcurge diferitele moduri de funcționare (AUTO_MODE sau MANUAL_MODE) sau parametri de modificat (CUT IN și CUT OUT) sau pentru a activa unele funcții (ANTI-LEAKAGE și MAX PUMP ON). În timpul parcurgerii, ledul aferent funcției va clipi. După întoarcerea în AUTO_MODE, funcțiile active vor fi indicate prin lumina fixă a respectivelor Leduri. A se vedea paragraful 2 (Descrierea funcțiilor).

Indicatori în „MODE”

AUTO MODE: pompa va funcționa în mod automat, a se vedea 9.2.1

MANUAL MODE: pompa funcționează în mod manual, a se vedea 9.2.1, și utilizatorul decide când să o pornească și să o oprească apăsând butonul „SET”. SET-ON aprins SET-OFF stins.

CUT-IN: setare referitoare la presiune (activată întotdeauna), respectiv valoarea minimă a presiunii sub care pompa pornește, care poate fi setată între 1.5 și 3.0 bar; setarea din fabrică este 1.8 bar; pompa se activează și dacă debitul are o valoare mai mică de 1.5 l/min, setată din fabrică.

CUT-OUT: setare referitoare la presiune (dezactivată), respectiv valoarea presiunii peste care pompa se oprește; din fabrică este setată la „CUT-IN” + 1 Led, dar se poate mări până la 3.5 bar (50.8 psi).

Pentru activare selectați funcția apăsând „MODE” până când ledul aferent CUT-OUT începe să clipească, apoi:

- 1) apăsați SET **timp de 10 secunde** pentru a abilita deblocarea funcției (acum se vor aprinde luminile LED pe valorile de presiune),
- 2) apăsați SET pentru a selecționa valoarea dorită,
- 3) pentru a dezabilita funcția, poziționați valoarea de cut-out pe 0 [bar sau psi],
- 4) ieșiți din setare apăsând MODE.

NOTĂ: valoarea de CUT-OUT poate fi modificată DOAR după ce ați deblocat funcția apăsând tasta SET timp de 10 secunde. După 1 secundă fără să fi apăsat alt buton, funcția se va bloca din nou.

ANTI-LEAKAGE: protecție împotriva pierderilor. Funcția poate fi activată sau dezactivată. Din fabrică este dezactivată. Dacă este activată, în cazul în care va porni mai mult de 6 ori în 2 minute pompa va fi oprită și eroarea va fi indicată prin LED-ul roșu, care clipește lent pe „ALARM”.

Pentru activare selectați funcția apăsând „MODE” până când ledul aferent începe să clipească, apoi apăsați SET până când ledul „ON” se aprinde. Pentru dezactivare apăsați SET până când lumina aprinsă va indica OFF.

După eliminarea cauzei reșetați alarma, dacă este încă prezentă, a se vedea 9.2.3.

MAX PUMP ON: perioada maximă de funcționare. Funcția poate fi activată sau dezactivată. Din fabrică este dezactivată. Dacă este activată, în cazul în care va funcționa mai mult de 30 de minute pompa va fi oprită; nu se va afișa nicio indicație de eroare.

Această funcție este utilizată pentru a proteja instalația în cazul în care un robinet este lăsat deschis în mod accidental, în cazul spargerii unei conducte sau în aplicațiile pentru irigații.

Pentru activare selectați funcția apăsând „MODE” până când ledul aferent funcției MAX PUMP ON se aprinde, apoi apăsați SET până când ledul „ON” se aprinde. Pentru dezactivare apăsați SET până când lumina aprinsă va indica OFF.

(C) Butonul de selectare SET

Moduri selectabile:

- 1) Resetare alarme;
- 2) Activare/dezactivare în MODE (MAX_PUMP_ON, ANTILEAKAGE)
- 3) Creșterea parametrilor în MODE (CUT_IN; CUT_OUT);
- 4) Motor ON/OFF în MANUAL MODE;
- 5) Pompă activă/pompă în standby în AUTO MODE

Apăsați „SET” pentru a modifica parametrii, în cazul în care ledul este aprins în MODE-CUT IN sau MODE-CUT OUT, valoarea va fi afișată pe bara cu led ce indică presiunea. Apăsând „SET” valoarea va crește. După ce ați setat valoarea dorită ieșiți din modificare apăsând „MODE” și acționând astfel încât ledul să indice MODE-AUTO și SET „ON” activat.

Apăsați SET și pentru a activa/dezactiva funcțiile Anti-leakage și Max pump On. După ce ați selectat funcția cu tasta „MODE” activați-o selectând SET-ON, pentru a o dezactiva selectați SET-OFF.

În modul „MANUAL” tasta SET va fi folosită pentru pornirea sau oprirea pompei, led aprins pe „On” sau „OFF”.

În modul automat AUTO-MODE va fi folosită pentru activare „ON” sau trecere în standby „OFF”.

PUMP ON: indicație ce coincide cu motorul în stare de funcționare.

9.2 Descrierea funcțiilor**9.2.1 Pompa ON/OFF (AUTO MODE, MANUAL MODE)**

Cut out dezactivat → La introducerea cablului de alimentare în priză și după testul ledurilor pompa pornește timp de 10 secunde.

Cut out activat → După introducerea cablului de alimentare în priză se efectuează testul ledurilor în primele 3 sec (aprinderea ledului 0 indică întotdeauna prezența tensiunii) și este setat implicit modul „AUTO MODE”, aprinzându-se indicatorul luminos „ON”. Pompa va începe să funcționeze dacă presiunea este mai mică decât valoarea de CUT-IN și debitul este mai mic decât debitul minim de cut-in. Pompa va rămâne în funcțiune până când presiunea va coborî sub valoarea de CUT-OUT; la atingerea acestei valori se va opri, indiferent de debit.

Dacă, în schimb, este selectat modul „**MANUAL MODE**”, apăsând o dată tasta „**MODE**”, pompa va porni dacă ledul „**ON**” va fi aprins, altfel, apăsând „**SET**”, pompa se va opri și se va aprinde ledul „**OFF**”.

Când pompa va începe să funcționeze va intra în modul AMORSARE.

Nb Asigurați-vă că ați urmat instrucțiunile de instalare și că pompa a fost umplută complet cu apă.

9.2.2 Faza de amorsare

Când pompa începe să funcționeze intră în modul amorsare; în timpul acestei faze, dacă nu detectează debit și presiune va menține motorul aprins timp de 3 minute, apoi va intra în stare de alarmă pentru funcționare uscată. Dacă, în schimb, în acest interval de timp se detectează flux sau presiune, se va efectua amorsarea și pompa va funcționa normal.

9.2.3 Resetarea alarmelor

La declanșarea unei alarme se va aprinde indicatorul luminos roșu „**ALARM**”. Alarma se resetează apăsând o dată tasta „**SET**”; în cazul în care cauza care a provocat alarma a fost eliminată se continuă cu funcționarea normală, altfel pompa va intra din nou în stare de alarmă.

9.2.4 Indicare tensiune ON/OFF

În prezența presiunii, ledul de presiune 0 din bara de leduri se va aprinde. În lipsa tensiunii acest led va fi stins.

Nb în cazul perioadelor îndelungate de inactivitate se recomandă deconectarea sursei de alimentare, scoțând cablul de alimentare din priză.

9.2.5 Indicare pompă On/off

Când motorul funcționează, pe „**PUMP ON**” trebuie să fie aprins un led cu lumină albastră pentru a indica funcționarea. Când motorul se oprește, acest led se stinge.

9.2.6 Indicare alarme

La declanșarea unei alarme pe „**ALARM**” se aprinde o lumină roșie fixă sau intermitentă.

Funcționare uscată (Dry-running): lumină roșie fixă.

Pierderi (Leakage): clipire lentă.

Max Pump ON (pompa funcționează mai mult de 30 de minute): 2 clipiri rapide separate de o pauză mai lungă.

Apăsați „**SET**” pentru a reseta alarmele.

9.2.7 Protecție împotriva funcționării uscate (Dry running protection)

Dacă pompa funcționează pe uscat, după câteva secunde (40 sec.) este oprită și eroarea este indicată prin aprinderea indicatorului cu lumină roșie fixă „**ALARM**”.

După o primă perioadă de 30 de minute în care pompa este în starea OFF se face o nouă încercare de pornire, cu durată de 5 min.

Dacă nici aceasta nu va avea succes, se va efectua o nouă încercare la fiecare 30 de minute, cel mult 48 de încercări. Dacă toate aceste încercări eșuează, va fi efectuată una la fiecare 24 de ore.

Echipamentul iese automat din starea de alarmă Funcționare uscată când se detectează debit sau presiune.

Dacă alarma este resetată, a se vedea 9.2.3, o nouă încercare va fi efectuată timp de 40 sec.

Eliminați cauzele și resetați alarmele, a se vedea 9.2.3.

9.2.8 Protecție împotriva pierderilor (ANTI-LEAKAGE)

Funcția poate fi activată sau dezactivată, setarea din fabrică este „dezactivat”. Dacă este activată, în cazul în care va porni mai mult de 6 ori în 2 minute pompa va fi oprită și eroarea va fi indicată prin LED-ul roșu, care clipește lent pe „**ALARM**”.

Eliminați cauzele și resetați alarmele, a se vedea 9.2.3.

Pentru procedura de activare consultați Anti-leakage.

9.2.9 Max pump on

Perioada maximă de funcționare. Funcția poate fi activată sau dezactivată. Din fabrică este dezactivată. Dacă este activată, în cazul în care va funcționa mai mult de 30 de minute pompa va fi oprită; pe ALARM va clipi o lumină.

Această funcție este utilizată pentru a proteja instalația în cazul în care un robinet este lăsat deschis în mod accidental, în cazul spargerii unei conducte sau în aplicațiile pentru irigații.

9.2.10 Alarma senzor de presiune

Echipamentul intră în stare de alarmă senzor de presiune dacă valoarea presiunii iese din intervalul operațional (0-15 bar). Pompa este oprită și eroarea va fi resetată imediat ce valorile presiunii se încadrează din nou în intervalul stabilit.

9.3 Prima pornire

9.3.1 Testare ledurilor

La prima pornire sau, oricum, după ce ați introdus cablul de alimentare în priză, se efectuează testarea celor 20 de Leduri, care vor fi aprinse în secvență timp de câteva secunde.

9.3.2 Prima amorsare

Pompa va fi pornită automat în modul **AUTO** mode și va fi setată pe **ON**.

Se pot manifesta trei comportamente:

- 1) Debit prezent, dar presiune coborâtă: iese din faza de amorsare și începe funcționarea normală.
- 2) Presiune, dar fără debit: după 10 sec. în care această condiție persistă, pompa se va opri.
- 3) Nici debit, nici presiune: pompa se va opri și va apărea o eroare de Funcționare uscată după aproximativ 3 minute, semnalată prin aprinderea ledului roșu în SET-ALARM. Eliminați cauza și resetați alarma, a se vedea 9.2.3.

9.4 Funcționarea normală cu CUT-OUT dezactivat (din fabrică)

Cut-out-ul dezactivat implică următoarele comportamente:

- Pompa este activată dacă există debit sau în lipsa presiunii, presiune mai mică decât CUT IN (în 10 ms)

- pompa este oprită dacă există presiune, dar debitul lipsește timp de 10 s fără întrerupere. În timpul funcționării normale ledul CUT OUT este stins. Pentru a modifica setarea consultați 9.1.1.B

9.5 Funcționarea normală cu CUT-OUT activat

Cut-out-ul activat implică următoarele comportamente:

- Pompa este activată dacă presiunea este mai mică decât presiunea de CUT IN.
- Pompa este oprită dacă presiunea depășește presiunea de CUT OUT.

În timpul funcționării normale ledul cut out este aprins. Pentru a modifica setarea consultați 9.1.1.b

10. PRECAUȚII

PERICOL DE ÎNGHEȚ: când pompa rămâne nefolosită la temperaturi mai mici de 0°C, trebuie să vă asigurați că nu există resturi de apă care, înghețând, ar putea determina fisurarea pieselor din plastic.

Dacă a fost folosită cu substanțe care tind să se depoziteze sau cu apă clorurată, după folosire clătiți pompa cu un jet puternic de apă pentru a evita formarea depunerilor sau depozitelor care ar afecta performanțele acesteia.

11. INTREȚINERE ȘI CURĂȚIRE

Dacă electropompa funcționează normal nu necesită nici un tip de întreținere. În orice caz toate intervențiile de reparare și întreținere trebuie efectuate doar după ce s-a dezlegat pompa de la rețeaua de alimentare. Când reporniți pompa, asigurați-vă că a fost montată conform tuturor regulilor, pentru a nu reprezenta un pericol pentru obiecte și persoane.

11.1 Curățarea filtrului de aspirație (Fig.3)

- Dezactivați alimentarea electrică a pompei.
- Purjați pompa deschizând bușonul de evacuare (6), după ce înainte ați închis clapetele din amonte (dacă există).
- Deșurubați capacul filtrului, manual sau folosind accesoriul din dotare Estrarre dall'alto l'unità di filtro.
- Scoateți unitatea filtrului prin partea superioară.
- Clătiți paharul filtrului cu apă curentă și curățați filtrul cu o perie.
- Montați la loc filtrul, executând în ordine inversă operațiile de mai sus.

11.2 Curățarea NRV (Fig.4)

- Dezactivați alimentarea electrică a pompei.
- Scoateți bușonul NRV (5) folosind accesoriul din dotare.
- Scoateți supapa de reținere NRV și curățați murdăria.
- Montați piesele, executând în ordine inversă procedura de demontare.

12. REZOLVAREA PROBLEMELOR



Înainte de a începe rezolvarea problemelor trebuie să deconectați alimentarea electrică a pompei (scoateți cablul din priză). În cazul în care cablul de alimentare sau orice componentă electrică a pompei este deteriorată, reparația sau înlocuirea trebuie efectuate de Producător sau de serviciul său de asistență tehnică sau de o persoană cu calificare echivalentă, pentru a preveni orice risc.

DEFECTIUNI	VERIFICARI (cauze)	REMEDII
1. Motorul nu porneste si nu face zgomot.	A. Verificati conexiunile electrice. B. Verificati ca motorul sa fie sub tensiune. C. Verificati sigurantele de protectie. D. Posibilă declanșare a dispozitivului de protecție termică.	C. Daca sunt arse, inlocuiti-le. D. Așteptați aprox. 20 min pentru ca motorul să se răcească. Verificați cauza care a determinat declanșarea și eliminați-o. Daca se ard la intervale scurte, motorul are un scurt-circuit.
2. Motorul nu porneste dar face zgomot.	A. Verificati ca tensiunea din retea sa corespunda cu cea de pe tablita. B. Cautati cauzele posibile de blocare. C. Asigurați-vă că arborele nu este blocat. D. Verificati starea condensatorului.	B. Inlaturati blocajele. C. Folosiți scula furnizată pentru a deșuruba capacul și deblocați arborele cu o șurubelniță. D. Inlocuiti condensatorul.
3. Rotorul se roteste cu dificultate.	A. Verificati ca tensiunea de alimentare sa fie suficienta. B. Verificati frecarea intre partile mobile si fixe ale pompei.	B. Procedati la eliminarea cauzei frezarilor.
4. Pompa nu furnizeaza apa.	A. Pompa nu a fost amorsata corect.	A. Umpleți pompa cu apă și amorsați-o, având grijă să evacuați aerul deșurubând bușonul de aerisire.

ROMÂNĂ

	B. Teava de aspiratie cu diametru insuficient. C. Supapa de reținere NRV sau filtrul înfundate.	B. Inlocuiti teava cu una cu diametru mai mare. C. Curățați filtrul și, dacă nu este suficient, și NRV.
5. Pompa nu se amorseaza.	A. Se aspiră aer prin conducta de aspirație. B. Contrapanta tevii de aspirare favorizeaza formarea unor acumulari de aer.	A. Eliminați fenomenul, verificând etanșarea racordurilor și conducta de aspirație, apoi repetați operația de amorsare. B. Corectati inclinarea tevii de aspirare.
6. Debitul este insuficient.	A. Conducta de aspirație este înfundată. B. Rotorul este uzat sau blocat. C. Tubul de aspirare are diametrul insuficient.	A. Curățați conducta de aspirație. B. Indepartati blocajele sau inlocuiti piesele uzate. C. Inlocuiti tubulatura cu una de diametru mai mare
7. Pompa vibreaza si are o functionare zgomotoasa.	A. Verificati ca pompa si tubulatura sa fie bine fixate. B. Exista cavitate in pompa, respectiv cererea de apa depaseste capacitatile pompei. C. Pompa functioneaza in alti parametrii decat cei indicati.	A. Fixati cu mare grija partile desfacute. B. Reduceti inaltimea de aspiratie sau controlati pierderile de sarcina. C. Poate fi utila limitarea debitului de livrare.

13. GARANȚIA



Orice modifica neautorizată preventiv, eliberează producătorul de orice responsabilitate. Toate piesele de schimb utilizate pentru reparații trebuie să fie originale și toate accesoriile trebuie să fie autorizate de producător, pentru a putea garanta maxima securitate a aparatelor și instalațiilor pe care acestea pot fi montat.

Acest produs este acoperit de garanția legală (în Comunitatea Europeană 24 de luni de la data cumpărării) pentru toate defectele cauzate de vicii de fabricație sau ale materialelor folosite.

Pe durata garanției produsul va putea, la discreție, să fie înlocuit cu unul în stare perfectă de funcționare sau să fie reparat gratuit, dacă sunt respectate următoarele condiții:

- produsul a fost folosit în mod corespunzător și în conformitate cu instrucțiunile și nu s-a încercat repararea de către cumpărător sau terțe părți.
- produsul a fost restituit la punctul de vânzare de unde a fost cumpărat, anexând documentul care demonstrează cumpărarea (factura sau bonul fiscal) și o scurtă descriere a problemei întâlnite.

Rotorul și piesele supuse uzurii nu sunt acoperite de garanție. Intervențiile efectuate în timpul garanției nu prelungesc, în niciun caz, perioada inițială.

СОДЕРЖАНИЕ

1. СФЕРЫ ПРИМЕНЕНИЯ	162
2. ПЕРЕКАЧИВАЕМЫЕ ЖИДКОСТИ	163
3. ТЕХНИЧЕСКИЕ ДАННЫЕ И ОГРАНИЧЕНИЯ В ЭКСПЛУАТАЦИИ	163
4. ЭКСПЛУАТАЦИЯ	163
4.1 Складирование	163
4.2 Транспортировка	163
4.3 Вес и размеры	163
5. ПРЕДУПРЕЖДЕНИЯ	163
6. МОНТАЖ	164
7. ЭЛЕКТРИЧЕСКОЕ ПОДКЛЮЧЕНИЕ	164
8. ЗАПУСК	164
9. ЭЛЕКТРОННЫЙ ИНТЕРФЕЙС УПРАВЛЕНИЯ	165
9.1 Обзор характеристик.....	165
9.1.1 Описание дисплея:	165
9.2 Описание функций.....	167
9.2.1 Насос ON/OFF (AUTO MODE, MANUAL MODE)	167
9.2.2 Фаза наполнения.....	167
9.2.3 Сброс аварийных сигналов	167
9.2.4 Указание напряжения ВКЛ./ВЫКЛ.	167
9.2.5 Указание насоса Вкл./выкл.	167
9.2.6 Указание на аварийные сигналы	167
9.2.7 Защита от работы без воды (Dry running protection)	167
9.2.8 Защита от утечек (ANTI-LEAKAGE)	167
9.2.9 Max pump on	167
9.2.10 Аварийный сигнал датчика давления	167
9.3 Первый пуск	168
9.3.1 Тестирование светодиодов	168
9.3.2 Первое заполнение.....	168
9.4 Нормальные операции с отключенным CUT-OUT (заводская настройка для)	168
9.5 Нормальные операции с включенным CUT-OUT.....	168
10. ПРЕДОСТОРОЖНОСТИ	168
11. ТЕХНИЧЕСКОЕ ОБСЛУЖИВАНИЕ И ЧИСТКА	168
11.1 Очистка фильтра всасывания	168
11.2 Чистка NRV	168
12. ПОИСК НЕИСПРАВНОСТЕЙ	168
13. ГАРАНТИЯ	169

ПРЕДУПРЕЖДЕНИЯ



Перед монтажом устройства внимательно прочитайте данную документацию.



Перед любой операцией отключите вилку. Категорически избегайте работы насоса без воды.



Предохранить насос от влияния погодных условий.



Защита от перегрузок. Насос оборудован температурным защитным устройством. При перегреве двигателя защитное устройство автоматически выключает насос. Время охлаждения составляет около 15-20 мин., по истечении которых насос автоматически включается. После срабатывания защитного устройства необходимо найти причину, приведшую к срабатыванию, и устранить ее. См. главу «Поиск неисправностей».

1. СФЕРЫ ПРИМЕНЕНИЯ

Центробежные струйные самозаливающиеся насосы с хорошей всасывающей способностью также при наличии газа в воде. Особенно хорошо подходит для подачи воды и нагнетания давления в бытовые установки. Подходит для небольшой фермы или садоводства, бытовых аварийных ситуаций и бытового применения в целом. Благодаря компактной конструкции и маневренности эти насосы находят свое применение в качестве переносных насосов для аварийных ситуаций, откачивания воды из резервуаров или рек. **Если изделие укомплектовано Wifi, смотрите краткие инструкции.**



Эти насосы нельзя использовать в бассейнах, прудах, водоемах в присутствии людей или для обработки углеводородов (бензин, дизель, горючие масла, растворители и т.п.) согласно нормативам против несчастных случаев, действующим в этой области. Перед помещением на хранение следует очистить насос. См. главу “Техобслуживание и очистка”

2. ПЕРЕКАЧИВАЕМЫЕ ЖИДКОСТИ

Чистая, без твердых или абразивных частиц, неагрессивная. Таблица 1

Чистая вода	•
Дождевая вода (Отфильтрованная)	•
Светлые сточные воды	○
Грязная вода	○
Вода из фонтанов (Отфильтрованная)	•
Речная или озерная вода (Отфильтрованная)	•
Питьевая вода	•

- Подходит
- Не подходит

3. ТЕХНИЧЕСКИЕ ДАННЫЕ И ОГРАНИЧЕНИЯ В ЭКСПЛУАТАЦИИ

- **Напряжение электропитания: 220-240В**, см. паспортную табличку.
- **Плавкие предохранители с задержкой (версия 220-240В):** приблизительные значения (Ампер).
- **Температура складирования:** -10°C +40°C.

Модель	Сетевые предохранители 220-240В 50Гц
P1= 850	4
P1= 1100	6
P1= 640	4
P1= 920	6

Таблица 2

	Модель	P1=850	P1=1100	P1=640	P1=920
Электрические характеристики	P1 Номинальная потребляемая мощность [Вт]	850	1100	640	920
	P2 [W]	600	750	380	560
	Напряжение в сети [В]	1~220-240 AC			
	Частота сети [Гц]	50			
	Ток [А]	3.88	4.58	3.10	4.20
	Конденсатор [µF]	12.5	16	16	12.5
Гидравлические характеристики	Конденсатор [Vc]	450			
	Максимальный расход [l/h]	3180	3750	3600	4800
	Макс. высота напора [м]	43	45	32	40
	Макс. высота напора [бар]	4.3	4.5	3.2	4.0
	Макс. давление [бар]	6			
Рабочий диапазон	Макс. глубина всасывания [м/мин]	8м / <3min		6м / < 3min	
	Длина Кабель питания [м]	1.5			
	Тип кабеля	H07 RNF			
	Степень защиты двигателя	IP X4			
	Класс изоляции	F			
	Диапазон температуры жидкости [°C] согласно EN 60335-2-41 для бытового использования	0 °C / +35 °C			
	Макс.размеры частиц	чистая вода			
Вес	Макс. Температура в помещении [°C]	+40 °C			
	DNM GAS	1" M			
	Вес нетто/брутто прим. [кг]	9.6/11.8	10.3/12.5	10.1/12.1	10.9/12.9

Таблица 3



Насос не может выдерживать вес труб, которые должны поддерживаться иначе.

4. ЭКСПЛУАТАЦИЯ

4.1 Складирование

Все насосы должны складироваться в крытом, сухом помещении, по возможности с постоянной влажностью воздуха, без вибраций и пыли. Насосы поставляются в их заводской оригинальной упаковке, в которой они должны оставаться вплоть до момента их монтажа.

4.2 Транспортировка

Предохраните изделия от лишних ударов и толчков.

4.3 Вес и размеры

Наклейка на упаковке указывает общий вес электронасоса и его размеры.

5. ПРЕДУПРЕЖДЕНИЯ

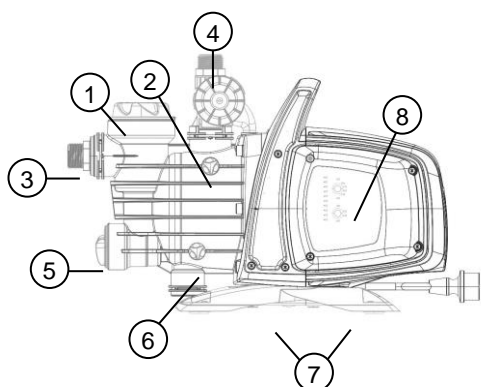


Насосы никогда не должны перевозиться, подниматься или включаться в подвешенном состоянии, используя кабель питания, используйте специальную ручку.

- Насос никогда не должен работать всухую.

- Рекомендуется открывать/закрывать пробки вантузы отверстий (2 и 6), не применяя чрезмерного усилия.

6. МОНТАЖ



1. Предварительный фильтр
2. Пробка спуска
3. Ориентируемое соединение всасывания
4. Соединение подачи
5. Встроенный невозвратный клапан
6. Пробка слива
7. Резиновые виброгасящие ножки
8. Электронный интерфейс управления

Электронасос должен устанавливаться в месте, защищенном от непогоды и температурой окружающей среды не выше 40°C. Насос оборудован виброгасящими опорами, но в случае непереносной установки можно снять их и предусмотреть крепление к опорному основанию (7). Избегайте передачи избыточного усилия от труб к устьям насоса (3) и (4), чтобы не создавать деформаций или поломок.

Неизменно хорошим правилом является устанавливать насос как можно ближе к перекачиваемой жидкости.

Насос должен быть установлен исключительно в горизонтальном положении.

Трубы никогда не должны иметь внутренний диаметр меньше, чем устья электронасоса и всасывания насоса, насос оборудован фильтром (1) и невозвратным клапаном (NRV) (5).

Для глубины всасывания, превышающей четыре метра, или при наличии длинных горизонтальных отрезков рекомендуется использовать трубу всасывания с диаметром, большим диаметра всасывающего отверстия электронасоса. Во избежание образования воздушных мешков во всасывающем трубопроводе предусмотреть небольшой подъем всасывающей трубы к сторону насоса. Рис.2

Если труба всасывания выполнена из резины или гибкого материала, всегда проверяйте, что она укрепленного типа, выдерживающего вакуум, чтобы избежать сужений при всасывании.

В случае непереносной установки рекомендуется монтировать клапан закрытия как на стороне всасывания, так и на напорной стороне. Это позволяет закрывать линию перед насосом или после него, что требуется при проведении техобслуживания и очистки или в случае неиспользования насоса в течение определенного периода. Насос оснащен вращающимся входом для облегчения установки. (3) и (4)

В случае шлангов, если необходимо, использовать колено рис.1 и комплект садоводства состоит из шлангов ПЭ и комплект с наконечником не поставляется, их нужно покупать отдельно.

В присутствии загрязнений небольших размеров, рекомендуется использовать, помимо интегрированного фильтра (1), входной фильтр насоса, монтированный на шланг всасывания.

- Не подвергайте двигатель избыточному количеству запусков/часов, рекомендуется не превышать 20 запусков в час.



Диаметр трубы всасывания должен быть больше или равным, чем диаметр устья электронасоса, см. Таблицу 3.

7. ЭЛЕКТРИЧЕСКОЕ ПОДКЛЮЧЕНИЕ



Проверить, чтобы напряжение сети электропитания соответствовало напряжению, указанному на заводской табличке двигателя, и чтобы было возможно ПРОИЗВЕСТИ НАДЛЕЖАЩЕЕ СОЕДИНЕНИЕ ЗАЗЕМЛЕНИЯ. Выполняйте указания, приведенные на технической табличке и в руководстве в таблице 3.

Длина кабеля питания, установленного на насосе, ограничивает расстояние монтажа, в случае необходимости удлинителя убедитесь, что он одного типа (например, H05 RN-F или H07 RN-F в зависимости от монтажа) см. таб.3.

8. ЗАПУСК



Не включайте насос не заполнив его полностью жидкостью, около 4 литров, пока не выйдет наружу воздух из спуска (2).

Если истощится гидравлический ресурс, немедленно отсоедините вилку, выключив насос. Предотвращайте работу без воды.

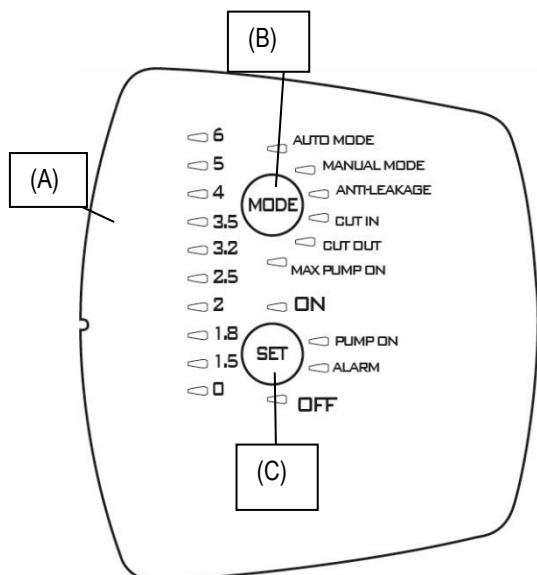
1. Перед началом пуска проверьте, что насос полностью заправлен водой, обеспечивая его полное заполнение чистой водой, через специальное отверстие, после снятия крышки заправки прозрачного фильтра (1), руками или при помощи подходящего инструмента в комплекте. Откройте одновременно пробку спуска (2) для выпуска воздуха. Данная операция является чрезвычайно важной для хорошего функционирования насоса. Важно также, чтобы механическое уплотнение было хорошо смазано.
Функционирование всухую ведет к непоправимым повреждениям механического уплотнения.
2. Пробку заправки следует вновь закрутить на место до остановки (1), а также закрутить пробку спуска (2).

3. Вставить вилку кабеля питания в розетку питания 220-240В. **Внимание!** Двигатель насоса немедленно заработает, вода начнет выходить спустя максимум 3 минуты, что зависит от глубины уровня воды в колодце или цистерне.
4. Насос продолжит работать и подавать воду. **Внимание!** Предотвращайте работу без воды.
5. Для отключения насоса отсоедините вилку кабеля питания.



При наличии проблем с наполнением, повторите операцию, пока воздух на всасывании не будет удален.

9. ЭЛЕКТРОННЫЙ ИНТЕРФЕЙС УПРАВЛЕНИЯ



9.1 Обзор характеристик

Описание	Параметры
Напряжение, частоты платы	1x220-240В, 50/60 Гц
Указание напряжения вкл./выкл.	●
Указание двигателя вкл./выкл.	●
Указание аварийных сигналов	●
Указание давления	●
Указание режима	●
Автоматический режим	●
Ручной режим	○
Защита от сухого хода	●
Защита от утечек	○
Защита макс. включения насоса	○ (30 минут)
Давление Cut-in	○ Регулируемое (1,5 – 3,0 бар)
Давление Cut-out	○ (Cut-in + 1 бар)
Авт. заливание	●
Кнопки выбора	●

● = Фиксировано; ○ = Может выбираться

9.1.1 Описание дисплея:

(А) Индикаторы-светодиоды давления

10 светодиодов используются в качестве индикаторов давления от 0 до 6 бар. Когда давление системы меняется, индикаторы загораются или выключаются.

Функция	Конфигурация дисплея	Уставка	Сброс аварийных сигналов
Auto Mode		ON: Включено OF: Отключено	
Manual mode		ON: Включено OF: Отключено	
Anti-leakage		ON: Включен OF: Отключен	Нажмите SET
Cut in		Увеличивает/Уменьшает	
Cut out		Увеличивает/Уменьшает OF: Выключено	
Max pump on		ON: Включено OF: Выключено	Нажмите SET

(B) Кнопка выбора РЕЖИМА

Выбираемые режимы:

- | | |
|-------------------|----------------|
| 1) AUTO_MODE; | 4) CUT_IN; |
| 2) MANUAL_MODE; | 5) CUT_OUT, |
| 3) ANTI LEACKAGE; | 6) MAX_PUMP_ON |

Для разблокировки выбора функций “РЕЖИМ” нажмите на кнопку “MODE” в течении 5 секунд.

Нажмите “MODE” для передвижения между различными режимами работы (AUTO_MODE или MANUAL_MODE) или изменяемыми параметрами (CUT IN и CUT OUT) или для включения некоторых функций (ANTI-LEAKAGE и MAX PUMP ON). Во время передвижения светодиод функции выбора мигает. После возврата в AUTO_MODE активные функции будут выделены постоянно горящим светодиодом. См. параграф 2 (Описание функций).

Индикаторы “MODE”

AUTO MODE: насос работает в автоматическом режиме, см. пар. 9.2.1.

MANUAL MODE: насос работает в ручном режиме см. пар. 9.2.1, пользователь решает, когда включать или выключать насос при помощи кнопки “SET”. SET-ON включен, SET-OFF выключен.

CUT-IN: настройка минимального значения давления (всегда включена), ниже которого включается насос, задаваемого в диапазоне от 1,5 до 3,0 бар, заводская настройка давления 1.8 бар; насос включается, даже если расход ниже минимального значения 1.5 л/мин., заданного на заводе.

CUT-OUT: настройка давления (отключено), выше которого насос останавливается, заводская настройка “CUT-IN” + 1 светодиодов, но ее можно повысить до 3.5 бар (50.8 psi).

Для включения выберите функцию, нажав на “MODE”, пока светодиод, соответствующий CUT-OUT не начнет мигать, после чего:

- 1) нажмите SET **в течение 10 секунд** для разблокирования функции (при этом загорятся индикаторы значений давления),
- 2) нажмите SET для выбора желаемого значения,
- 3) для отключения функции установите значение cut-out на 0 [бар или psi],
- 4) выйдите из настроек, нажав на MODE.

ПРИМ: значение CUT-OUT может быть изменено ТОЛЬКО после разблокирования функции путем нажатия кнопки SET в течение 10 секунд. Если в течение 1 секунды не будет нажата какая-либо кнопка, функция вновь заблокируется.

ANTI-LEAKAGE: Защита от утечек. Функция может быть включена или отключена. Заводская настройка - отключена. При включении, если обнаружится состояние, когда насос включается более 6 раз за 2 минуты, он будет остановлен и будет показана ошибка при помощи медленно мигающего красного светодиода “ALARM”.

Для включения выберите функцию, нажав на “MODE”, пока соответствующий светодиод не начнет мигать, после чего нажмите на SET до тех пор, пока светодиод “ON” не включится. Для отключения нажмите “SET”, до тех пор, пока горящий свет не укажет OFF.

После устранения причин, сбросьте аварийный сигнал, если он еще имеется, см. 9.2.3.

MAX PUMP ON: максимальный период работы. Функция может быть включена или отключена. Заводская настройка - отключен. При включении, если обнаружится состояние, когда насос работает более 30 минут, он будет остановлен, но не будет показана ошибка.

Эта функция используется для защиты установки в случае, если забудут закрыть кран, или на случай поломки трубы или при использовании для орошения.

Для включения выберите функцию, нажав на “MODE”, пока соответствующий функции MAX PUMP ON светодиод не загорится, после чего нажмите на SET до тех пор, пока светодиод “ON” не включится. Для отключения нажмите “SET”, до тех пор, пока горящий свет не укажет OFF.

(C) Кнопка выбора SET

Выбираемые режимы:

- 1) Сброс аварийных сигналов.
- 2) Включение/выключение в MODE (MAX_PUMP_ON, ANTILEACKAGE).
- 3) Увеличение параметров в MODE (CUT_IN; CUT_OUT).
- 4) Двигатель ON/OFF в MANUAL MODE.
- 5) Насос включен/насос в режиме ожидания в AUTO MODE.

Нажмите “SET” для изменения параметров, если горит светодиод на MODE-CUT IN или MODE-CUT OUT, значение будет показано в линейке со светодиодами указания давления. Нажав на “SET” значение будет увеличено. После настройки требуемого значения, выйдите из режима модификации, нажатием на “MODE” и вернув светодиод в состояние MODE-AUTO и включенный SET “ON”.

Нажмите SET для включения и отключения функции Anti-leakage и Max pump On. После выбора функции кнопкой “MODE”, включите ее, выбрав SET-ON, отключите при помощи SET-OFF.

В режиме “MANUAL” кнопка SET нужна для включения или выключения насоса, светодиод горит на “On” или “OFF”.

В автоматическом режиме AUTO-MODE она нужна для включения “ON” или перевода в режим ожидания “OFF”.

PUMP ON: указание, совпадающее с работающим двигателем.

9.2 Описание функций

9.2.1 Насос ON/OFF (AUTO MODE, MANUAL MODE)

Cut out отключено → при помещении вилки в розетку после тестирования светодиодов, насос включается на 10 секунд.

Cut out включено → после помещения вилки в розетку, проводится тестирование светодиодов в течение первых 3 секунд (включение светодиода 0 всегда указывает на наличие напряжения) и по умолчанию настраивается "AUTO MODE" с включением индикатора "ON". Насос начинает работать, если давление будет ниже значения CUT-IN и расход будет ниже минимального расхода cut-in. Насос продолжит работать до тех пор, пока давление не станет ниже значения CUT-OUT, по достижении которого расход независимо прервется.

Если выбирается режим "MANUAL MODE", нажав один раз на кнопку "MODE", насос заработает, если светодиод "ON" будет гореть, иначе при нажатии на "SET", насос выключится и включится светодиод "OFF".

Когда насос начнет работать, он перейдет в режим НАПОЛНЕНИЯ.

Прим. Убедитесь, что вы выполнили инструкции по монтажу и что насос полностью заполнен водой.

9.2.2 Фаза наполнения

Когда насос начнет работать, он перейдет в режим наполнения, во время этой фазы, если он не обнаруживает расход и давление, двигатель продолжает работать в течение 3 минут, после чего срабатывает аварийный сигнал работы без воды. Если же в этот интервал времени будет обнаружен необходимый расход и давление, насос будет заполнен и начнет работать нормально.

9.2.3 Сброс аварийных сигналов

Когда появляется аварийный сигнал, включается красный индикатор "ALARM". Аварийный сигнал сбрасывается, нажав один раз на кнопку "SET", если вызвавшая его причина была устранена, насос продолжит работать нормально, в противном случае насос опять перейдет в состояние аварии.

9.2.4 Указание напряжения ВКЛ./ВЫКЛ

Если есть напряжение, то индикатор давления 0 на линейке светодиодов будет гореть. Если нет напряжения, светодиод не горит. Прим. В случае длительного неиспользования насоса рекомендуется отключить напряжение, вынув вилку.

9.2.5 Указание насоса Вкл./выкл

Когда двигатель работает, должен гореть синий свет "PUMP ON" для обозначения работы. Когда двигатель останавливается, светодиод не горит..

9.2.6 Указание на аварийные сигналы

Горящий постоянно или мигающий красный свет на "ALARM" включается при наличии аварийного сигнала.

Работа без воды (Dry-running): постоянно горящий красный свет

Утечка (Leakage): медленное мигание

Max Pump ON (насос работает более 30 минут): 2 быстрых мигания с более долгим интервалом..

Нажмите "SET" для сброса тревоги.

9.2.7 Защита от работы без воды (Dry running protection)

Если насос работает без воды, спустя несколько секунд (40 сек.) он останавливается и появляется указание на ошибку, с постоянно горящим красным светом "ALARM".

Спустя 30 минут отключения насоса OFF, делается новая попытка включения на протяжении 5 минут. Если эта попытка будет неудачной, новая попытка будет делаться каждые 30 минут, максимум 48 раз. Если все эти попытки будут неудачны, то будут делаться попытки раз в 24 часа.

Устройство автоматически выходит из аварийного сигнала Работы без воды, если появляется расход и/или давление.

Если аварийный сигнал сбрасывается, см. пар. 9.2.3, новая попытка делается через 40 секунд.

Устранить причину и сбросить аварийный сигнал, см. 9.2.3.

9.2.8 Защита от утечек (ANTI-LEAKAGE)

Функция может быть включена или отключена, заводская настройка - отключена. При включении, если обнаружится состояние, когда насос включается более 6 раз за 2 минуты, он будет остановлен и будет показана ошибка при помощи медленно мигающего красного светодиода "ALARM". Устранить причину и сбросить аварийный сигнал, см. 9.2.3.

Процедура включения указана в п Anti-leakage.

9.2.9 Max pump on

Максимальный период работы. Функция может быть включена или отключена. Заводская настройка - отключена. При включении, если обнаружится состояние, когда насос работает более 30 минут, он будет остановлен, и будет показано мигание на ALARM.

Эта функция используется для защиты установки в случае, если забудут закрыть кран, или на случай поломки трубы или при использовании для орошения.

9.2.10 Аварийный сигнал датчика давления

Устройство передает аварийный сигнал от датчика давления, если значение давления выходит за пределы рабочего диапазона (0-15 бар). Насос отключается, ошибка сбрасывается, как только состояние давления возвращается в нормальный диапазон.

9.3 Первый пуск

9.3.1 Тестирование светодиодов

При первом пуске или после того, как вы вставили вилку в розетку электротока, проводится тестирование 20 светодиодов, длящееся несколько секунд, в течение которых последовательно включаются все светодиоды.

9.3.2 Первое заполнение

Насос автоматически находится в режиме **AUTO** и задан на **ON**.

Может быть три ситуации:

- 1) Расход имеется, но давление низкое: выходит из фазы наполнения и начинает работать нормально.
- 2) Есть давление, но нет расхода: спустя 10 секунд этого состояния, насос отключается.
- 3) Нет расхода, и нет давления: насос выключится и появится ошибка "Работа без воды", спустя примерно 3 минут, о чем сообщит горящий красный светодиод SET-ALARM. Устранить причину и сбросить аварийный сигнал, см. 9.2.3.

9.4 Нормальные операции с отключенным CUT-OUT (заводская настройка для)

Cut-out отключен, это значит, что происходит следующее:

- Насос включается, если есть расход, или при отсутствии давления, давление ниже CUT IN (за 10 мс).
- насос останавливается, если существует условие имеющегося давления, но нет потока непрерывно в течение 10 с.

Светодиод CUT OUT не горит во время нормального функционирования. Модификацию настроек см. в 9.1.1.B.

9.5 Нормальные операции с включенным CUT-OUT

Cut-out включен, это значит, что происходит следующее:

- Насос включается, если давление ниже давления CUT IN.
- Насос выключается, если давление выше давления CUT IN.

Светодиод CUT OUT горит во время нормального функционирования. Модификацию настроек см. в 9.1.1.B.

10. ПРЕДОСТОРОЖНОСТИ

ОПАСНОСТЬ ЗАМЕРЗАНИЯ: когда насос остается не включенным при температуре ниже 0°C, необходимо убедиться, что в нем нет остатков воды, которые при замерзании могут привести к трещинам пластиковых частей. Если насос использовался с веществами, которые имеют тенденцию к отложению или с хлорированной водой, ополосните его после использования сильной струей воды, чтобы избежать формирования осадка или отложений, которые снижают эксплуатационные характеристики насоса.

11. ТЕХНИЧЕСКОЕ ОБСЛУЖИВАНИЕ И ЧИСТКА

В нормальном рабочем режиме электронасос не нуждается в каком-либо техническом обслуживании. В любом случае все работы по ремонту и техническому обслуживанию должны осуществляться после отсоединения насоса от сети электропитания. При запуске насоса убедитесь, что он был собран по всем правилам, чтобы не создавать опасности для людей и предметов.

11.1 Очистка фильтра всасывания (Схема 3)

- Обесточить насос.
- Слить воду, открыв пробку слива (6), закрыв предварительно заслонки перед ним (если имеются).
- Отвинтите крышку камеры фильтра, руками или специальным инструментом в комплекте.
- Выньте через верх блок насоса.
- Ополосните стакан под струей воды и очистите фильтр при помощи мягкой щетки.
- Вновь соберите фильтр, выполнив операции в обратной последовательности.

11.2 Чистка NRV (Схема 4)

- Обесточить насос.
- Снимите пробку NRV (5) при помощи принадлежности в комплекте.
- Снимите стопорный клапан NRV и очистите его от загрязнения.
- Соберите части методом обратной сборки, в обратной последовательности.

12. ПОИСК НЕИСПРАВНОСТЕЙ



Перед тем, как начинать поиск неисправностей, необходимо отсоединить электрическое питание от насоса (вынуть вилку из розетки). Если кабель питания или любая электрическая часть насоса повреждены, операция по замене или ремонту должна выполняться производителем или его службой техсервиса или квалифицированным человеком, чтобы избежать возможных опасностей.

НЕИСПРАВНОСТИ	ПРОВЕРКИ (возможные причины)	МЕТОДЫ УСТРАНЕНИЯ
1. Двигатель не запускается и не издает звуков.	A. Проверить электрические соединения. B. Проверить, чтобы двигатель был под напряжением. C. Проверить плавкие предохранители. D. Возможное срабатывание термозащиты	C. Если они сгорели, заменить их. D. Подождите 20 минут охлаждения двигателя. Проверить и устранить причину, которая привела к срабатыванию. Примечание: если неисправность сразу же повторяется, это означает короткое замыкание двигателя.
2. Двигатель не запускается, но издает звуки.	A. Проверить, чтобы напряжение в сети соответствовало значению на заводской табличке. B. Произвести поиск возможных засоров насоса или двигателя. C. Проверить, чтобы вал не был заблокирован. D. Проверить состояние конденсатора.	B. Удалить засоры. C. Используйте инструмент в комплекте для отвинчивания крышки и отверткой разблокируйте вал. D. Заменить конденсатор.
3. Затруднительное вращение двигателя.	A. Проверить, чтобы напряжение электропитания было достаточным. B. Проверить возможные трения между подвижными и фиксированными деталями.	B. Устранить причины трения..
4. Насос не производит подачу.	A. Насос был залит неправильно. B. Недостаточный диаметр всасывающей трубы. C. Невозвратный клапан NRV или фильтр засорены.	A. Наполните насос водой, залейте его, соблюдая осторожность, чтобы выпустить воздух, отвинтив пробку спуска. B. Заменить трубу на другую с большим диаметром. C. Очистите фильтр и, если этого недостаточно, NRV.
5. Насос не заливается.	A. Невозвратный клапан NRV или фильтр засорены. B. Отрицательный уклон всасывающей трубы способствует образованию воздушных мешков.	A. Устраните это явление, проверив прокладку соединений и трубу всасывания, повторите операцию заливания насоса. B. Исправить наклон всасывающей трубы.
6. Насос не обеспечивает необходимый расход.	A. Труба всасывания засорена. B. Крыльчатка износилась или засорена. C. Недостаточный диаметр всасывающей трубы.	A. Очистите трубу всасывания. B. Удалить засоры или заменить изношенные детали.. C. Заменить трубу на другую с большим диаметром.
7. Насос вибрирует и издает сильный шум.	A. Проверить, чтобы насос и трубы были прочно закреплены. B. Кавитация насоса, т.е. потребность в воде превышает возможности насоса. C. Насос функционирует с превышением значений заводской таблички.	A. Более тщательно закрепить ослабленные части. B. Сократить высоту всасывания или проверить потерю нагрузки. C. Может потребоваться ограничить расход на подаче.

13. ГАРАНТИЯ



Любое ранее неуполномоченное изменение снимает с производителя всякую ответственность. Все запасные части, используемые при техническом обслуживании, должны быть оригинальными, и все вспомогательные принадлежности должны быть утверждены производителем для обеспечения максимальной безопасности персонала, оборудования и установки, на которую они устанавливаются.

Это изделие имеет гарантию (в Европейском Сообществе сроком на 24 месяца с даты покупки) на все дефекты, связанные с изготовлением или используемым материалом.

Изделие по гарантии может быть заменено на другое в рабочем состоянии или бесплатно отремонтировано при соблюдении следующих условий:

- изделие использовалось правильно и в соответствии с инструкциями, не производились попытки отремонтировать его самим покупателем или третьими лицами.
- изделие было передано в магазин, прилагая к нему документ, удостоверяющий покупку (счет или чек), и краткое описание встреченной проблемы.

Крыльчатка и части, подверженные износу, не входят в действие гарантии. Гарантийное обслуживание ни при каких обстоятельствах не подлежит действию гарантии.

OBSAH

1. APLIKÁCIE	170
2. ČERPATEĽNÉ KVAPALINY	171
3. TECHNICKÉ ÚDAJE A OBMEDZENIA PRI POUŽÍVANÍ	171
4. MANIPULÁCIA	171
4.1 Skladovanie	171
4.2 Prenášanie	171
4.3 Hmotnosť a rozmery	171
5. VAROVANIA	171
6. INŠTALÁCIA	172
7. ELEKTRICKÉ ZAPOJENIE	172
8. SPUSTENIE	172
9. ELEKTRONICKÉ RIADIACE ROZHRAŇIE	173
9.1 Prehľad charakteristík	173
9.1.1 Popis displeja:	173
9.2 Popis funkcií	174
9.2.1 Zapnutie/vypnutie čerpadla - ON/OFF (AUTO MODE, MANUAL MODE)	174
9.2.2 Fáza sprevádzkovania	175
9.2.3 Vynulovanie alarmov	175
9.2.4 Signalizácia ZAPNUTIA/VYPNUTIA napätia	175
9.2.5 Signalizácia ZAPNUTIA/VYPNUTIA čerpadla	175
9.2.6 Signalizácia Alarmov	175
9.2.7 Ochrana proti chodu nasucho (Dry running protection)	175
9.2.8 Ochrana proti únikom (ANTI-LEAKAGE)	175
9.2.9 Max Pump On	175
9.2.10 Alarm snímača tlaku	175
9.3 Prvé uvedenie do prevádzky	175
9.3.1 Skúšky funkčnosti LED	175
9.3.2 Spreádzkovanie	175
9.4 Bežný stav pri zrušenom CUT-OUT (prednastavenie z výrobného závodu)	176
9.5 Bežný stav pri aktivovanom CUT-OUT	176
10. OPATRENIA	176
11. ÚDRŽBA A ČISTENIE	176
11.1 Čistenie nasávacieho filtra	176
11.2 Čistenie spätného ventilu (NRV)	176
12. VYHLÁDÁVANIE PORÚCH	176
13. ZÁRUKA	177

VAROVANIA



Pred zahájením inštalácie si pozorne prečítajte kompletnú dokumentáciu.



Pred každým zásahom vytiahnite zástrčku zo zásuvky elektrickej siete. Nikdy neuvádzajte čerpadlo do chodu nasucho.



Chraňte čerpadlo před povětrnostními vlivy.



Ochrana proti preťaženiu. Motor čerpadla je vybavený tepelnou poistkou. V prípade, že stúpajúcou záťažou motora dôjde k jeho prehriatiu, táto poistka automaticky vypne čerpadlo. Po vychladnutí motora, čo môže trvať približne 15 až 20 minút, čerpadlo sa opäť automaticky zapne. Vždy, keď dôjde k aktivácii tepelnej poistky, je nutné zistiť a odstrániť príčinu prehriatia motora. Vid' časť Vyhľadávanie porúch.

1. APLIKÁCIE

Odstredivé čerpadlá so samozaliatím prúdom vody, s vynikajúcim nasávacími schopnosťami aj v prípade perlivej vody. Sú mimoriadne vhodné na zásobovanie vodou a tlakovanie obydľí na samotách. Sú vhodné pre malé poľnohospodárstva v záhradách a pre záhradníkov, pre núdzové stavy v domácnostiach a domácich majstrov vo všeobecnosti. Vďaka kompaktnému tvaru, ktorý umožňuje jednoduchú manipuláciu, nachádzajú tiež špeciálne uplatnenia ako prenosné čerpadlá pre núdzové prípady, ako je odber vody z nádrží alebo riek. **Ak je výrobok vybavený Wifi rozhraním, tak si preštudujte quick guide.**



Tieto čerpadlá nesmú byť používané v bazénoch, rybníkoch, nádržiach pri prítomnosti osôb alebo na čerpanie uhľovodíkov (benzín, nafta, vykurovacích olejov, riedidiel atď.) v súlade s platnými protiprá-zovými normami. Pred ich odložením odporúčame čerpadlo vyčistiť. Vid' kapitola „Údržba a Čistenie“.

2. ČERPATEĽNÉ KVAPALINY

Čistá, bez pevných alebo abrazívnych častíc, neagresívna.

Čerstvá voda	•
Dažďová voda (filtrovaná)	•
Úžitková odpadová voda	○
Splaškové vody	○
Voda z bazéna alebo fontány (filtrovaná)	•
Riečna alebo jazerná voda (filtrovaná)	•
Pitná voda	•

Tabuľka 1

- Vhodné
- Nevhodné

3. TECHNICKÉ ÚDAJE A OBMEDZENIA PRI POUŽÍVANÍ

- **Napájacie napätie: 220-240V**, pozri štítok s elektrickými údajmi.
- **Poistky vedenia s oneskorením (verzia 220-240V):** orientačné hodnoty (Ampér).
- **Teplota skladovania:** -10°C +40°C.

Model	Poistky vedenia 220-240V 50Hz
P1= 850	4
P1= 1100	6
P1= 640	4
P1= 920	6

Tabuľka 2

	Model	P1=850	P1=1100	P1=640	P1=920
Elektrické parametre	P1 Menovitý príkon [W]	850	1100	640	920
	P2 [W]	600	750	380	560
	Sieťové napätie [V]	1~220-240 AC			
	Sieťová frekvencia [Hz]	50			
	Prúd [A]	3.88	4.58	3.10	4.20
	Kondenzátor [μ F]	12.5	16	16	12.5
	Kondenzátor [Vc]	450			
Vodné parametre	Max. prietok [l/h]	3180	3750	3600	4800
	Max. výtláčna výška [m]	43	45	32	40
	Max. dynamický tlak [bar]	4.3	4.5	3.2	4.0
	Max. tlak [bar]	6			
	Max. hĺbka nasávania [m/min]	8m / <3min		6m / < 3min	
Prevádzkový rozsah	Dĺžka napájacieho kábla [m]	1.5			
	Typ kábla	H07 RNF			
	Trieda ochrany motora	IP X4			
	Trieda izolácie	F			
	Teplotný rozsah kvapaliny [°C] v súlade s EN 60335-2-41 pre používanie v domácnosti	0 °C / +35 °C			
	Max. rozmery častíc	čistá voda			
	Max. teplota prostredia [°C]	+40 °C			
Ostatné	Pripojovací rozmer	1" (vonkajší)			
	Čistá/hrubá hmotnosť pribl. [kg]	9.6/11.8	10.3/12.5	10.1/12.1	10.9/12.9

Tabuľka 3



Čerpadlo nemôže byť zaťažené hmotnosťou potrubia, ktoré musí byť uchytené iným spôsobom.

4. MANIPULÁCIA**4.1 Skladovanie**

Všetky čerpadlá musia byť skladované na krytom a suchom mieste s podľa možnosti stálou vlhkosťou vzduchu, bez vibrácií a prachu. Dodávajú sa v originálnom obale, v ktorom musia zostať až do momentu inštalácie.

4.2 Prenášanie

Nevystavujte výrobky zbytočným nárazom a kolíziám.

4.3 Hmotnosť a rozmery

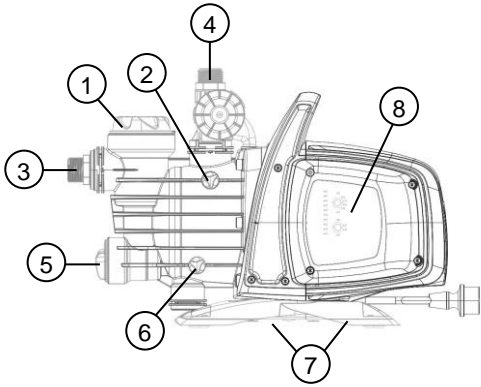
Na samolepiacom štítku, nalepenom na obale, je uvedená celková hmotnosť elektročerpadla a jeho rozmery.

5. VAROVANIA

Čerpadlá nesmú byť nikdy prepravované, dvíhané alebo uvádzané do chodu tak, že budú zavesené za napájací kábel; pre tento účel používajte príslušnú rukoväť.

- Čerpadlo nesmie byť nikdy uvedené do chodu nasucho.
- Odporúča sa otvárať/zatvárať odzdušňovacie/výpustné uzávery (2 a 6) bez použitia prílišnej sily.

6. INŠTALÁCIA



1. Prefilter
2. Odvzdušňovací uzáver
3. Nasávacie hrdlo
4. Výtlačné hrdlo
5. Integrovaný spätný ventil
6. Vypúšťací uzáver
7. Antivibračné gumové nožičky
8. Elektronické riadiace rozhranie

Elektročerpadlo musí byť nainštalované na mieste chránenom pred poveternostnými vplyvmi, s teplotou neprevyšujúcou 40 °C.

Čerpadlo je vybavené antivibračnými nožičkami, ale v prípade pevnej inštalácie je možné ich odmontovať a ukotviť čerpadlo k opornému podkladu (7).

Zabráňte, aby potrubia nadmerne zaťažovali hrdlá čerpadla (3) a (4), aby nedochádzalo k deformáciám alebo zlomu.

Je vhodné vždy umiestniť čerpadlo čo najbližšie ku kvapaline určenej na čerpanie.

Čerpadlo musí byť nainštalované výhradne vo vodorovnej polohe.

Potrubie nesmie mať nikdy menší priemer ako je priemer nasávacieho hrdla čerpadla. Čerpadlo je vybavené filtrom (1) a spätným ventilom (NRV) (5).

V prípade hĺbky nasávania prevyšujúcej štyri metre alebo pri nasávaní s veľkými vodorovnými úsekmi sa odporúča použiť nasávaciu hadicu s väčším priemerom ako je nasávacie hrdlo čerpadla. Aby sa zabránilo vytváraniu vzduchových vakov v nasávacej hadici, zabezpečte mierny kladný sklon nasávacej hadice smerom k čerpadlu. Obr.2

V prípade, keď je nasávacie potrubie z gumy alebo z pružného materiálu, vždy skontrolujte, či je zosilnené, odolné voči namáhaniu vákuom, aby sa zabránilo jeho zúženiu v dôsledku nasávania.

V prípade pevnej inštalácie sa odporúča namontovať uzatvárací ventil na strane nasávania i na strane výtlačku. To umožňuje uzavrieť okruh na vstupe a/alebo na výstupe čerpadla, čo je užitočné pri vykonávaní údržby a čistenia alebo v čase, keď sa čerpadlo nepoužíva. Čerpadlo je vybavené otočnými koncovkami kvôli uľahčeniu inštalácie. (3) a (4)

V prípade hadíc podľa potreby použite koleno znázornené na obr. 1 a súpravu pre záhradníčenie, tvorenú hadicou z vystuženého PE a súpravou spojok a nasávacím košom, ktoré sa nedodávajú s čerpadlom, ale je možné ich zakúpiť samostatne.

Pri použití vo vode s prímесou nečistôt malých rozmerov sa odporúča použiť okrem integrovaného filtra (1) filter na vstupe čerpadla, namontovaný na nasávacej hadici.

- Nevystavujte motor príliš veľkému počtu spustení/hodinu. Odporúča sa neprekročiť 20 spustení/hodinu.



Priemer nasávacej hadice musí byť väčší alebo rovnaký ako je priemer hrdla elektročerpadla - vid' Tabuľka 3.

7. ELEKTRICKÉ ZAPOJENIE



Uistite sa, že napätie dostupnej elektrickej siete odpovedá menovitému napätiu motora, ktorý má byť napájaný, a že rozvod je riadne uzemnený. **Dodržiavajte údaje uvedené na štítku s technickými parametrami a v tabuľke 3 tohto návodu.**

Dĺžka napájacieho kábla, ktorý je súčasťou čerpadla, obmedzuje inštalačnú vzdialenosť. Keď potrebujete predĺžovací kábel, uistite sa, že je rovnakého typu (napr. H05 RN-F alebo H07 RN-F, v závislosti na konkrétnej inštalácii) - vid' tab.3.

8. SPUSTENIE



Neuvádzajte čerpadlo do chodu skôr, ako ho úplne naplníte kvapalinou, približne 4 litrami, dokiaľ nezačne vytekať z odvzdušňovacieho uzáveru (2).

V prípade, že vyčerpáte vodu zo zdroja, okamžite vypnite čerpadlo vytiahnutím zástrčky zo zásuvky elektrickej siete. Zabráňte činnosti nasucho.

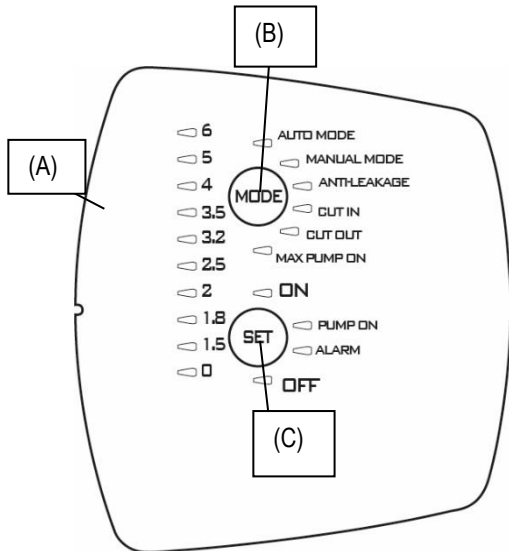
1. Pred uvedením čerpadla do chodu skontrolujte, či je riadne zaliate a zaistite jeho úplné naplnenie čistou vodou cez príslušný otvor, po odskrutkovaní plniaceho uzáveru priesvitného filtra (1) rukami alebo príslušným nástrojom, dodaným v rámci výbavy. Súčasne otvorte tiež odvzdušňovací uzáver (2) kvôli vypusteniu vzduchu. Tento úkon je mimoriadne dôležitý pre dokonalú činnosť čerpadla, pričom je nevyhnutné, aby bolo mechanické tesnenie riadne namazané. **Činnosť nasucho spôsobuje neopraviteľné škody na mechanickom tesnení.**
2. Potom je potrebné dôkladne zaskrutkovať odvzdušňovací uzáver (2), až na doraz (1).
3. Zasuňte zástrčku napájacieho kábla do zásuvky elektrickej siete s napätím 220-240V. **Upozornenie!** K spusteniu motora čerpadla dôjde okamžite a voda začne vytekať po uplynutí maximálne 3 minút, v závislosti na hĺbke hladiny vody v studni alebo v nádrži.
4. Čerpadlo začne fungovať a bude čerpať vodu. Upozornenie! Zabráňte činnosti nasucho.
5. Pre vypnutie čerpadla odpojte zástrčku napájacieho kábla zo zásuvky elektrickej siete.



V prípade problémov s infiltráciami zopakujte uvedený postup, dokiaľ všetok vzduch z nasávania neunikne.

9. ELEKTRONICKÉ RIADIACE ROZHRAVIE

9.1 Prehľad charakteristík



Popis	Parametre
Napätie a frekvencia napájania	1x220-240V - 50/60 Hz
Signalizácia zapnutia/vypnutia napätia	●
Signalizácia zapnutia/vypnutia motora	●
Signalizácia Alarmov	●
Signalizácia Tlaku	●
Signalizácia Režimu	●
Auto Mode	●
Manual Mode	○
Ochrana proti Chodu nasucho	●
Ochrana proti únikom	○
Ochrana Max. pump on	○ (30 minút)
Tlak Cut-in	○ Premenlivý (1,5 – 3,0 bar)
Tlak Cut-out	○ (Cut-in + 1 bar)
Sprevádzkovanie	●
Tlačidlá pre voľbu	●

● = Pevne nastavený; ○ = Voliteľný

9.1.1 Popis displeja:

(A) LED indikátory tlaku

Na zobrazovanie tlaku sa používajú LED indikátory, ktoré zobrazujú tlak v rozsahu od 0 do 6 barov. Pri zmene tlaku v systéme sa následne rozsvietia alebo zhasnú príslušné LED.

Funkcia	Konfigurácia displeja	Set (Nastaviť)	Vynulovanie alarmu
Auto Mode		ON: Aktivácia OFF: Zrušenie	
Manual mode		ON: Aktivácia OFF: Zrušenie	
Anti-leakage		ON: Aktivácia OFF: Zrušenie	Stlačte SET
Cut in		Zvýšenie/Zníženie	
Cut out		Zvýšenie/Zníženie OFF: zrušenie	
Max pump on		ON: aktivácia OFF: zrušenie	Stlačte SET

(B) Tlačidlo pre voľbu režimu MODE

Voliteľné režimy:

- | | |
|------------------|----------------|
| 1) AUTO_MODE; | 4) CUT_IN; |
| 2) MANUAL_MODE; | 5) CUT_OUT, |
| 3) ANTI LEAKAGE; | 6) MAX_PUMP_ON |

Pre odistenie funkcie voľby režimu MODE stlačte tlačidlo MODE na dobu 5 sekúnd.

Stlačením tlačidla „MODE“ sa môžete posúvať po jednotlivých prevádzkových režimoch (AUTO_MODE alebo MANUAL_MODE) alebo parametroch, ktoré majú byť zmenené (CUT IN a CUT OUT) alebo môžete aktivovať jednotlivé funkcie (ANTI-LEAKAGE a MAX PUMP ON). Počas posúvania bude blikať LED odpovedajúcej funkcie. Po návrate do režimu AUTO_MODE budú aktivované funkcie signalizované rozsvietením odpovedajúcej LED stálym svetlom. Viď odsek 2 (Popis funkcií).

Indikátory „MODE“

AUTO MODE: čerpadlo bude fungovať v automatickom prevádzkovom režime - viď odsek 9.2.1.

MANUAL MODE: čerpadlo bude fungovať v manuálnom režime (viď odsek 9.2.1) a užívateľ sa bude môcť rozhodnúť kedy zapne a kedy vypne čerpadlo prostredníctvom tlačidla „SET“. SET-ON rozsvietená, SET-OFF vypnutá.

CUT-IN: nastavenie tlaku (vždy aktívne) minimálny tlak, pod ktorým dôjde k aktivácii čerpadla; je nastaviteľný v rozsahu od 1,5 do 3,0 barov a prednastavená hodnota z výrobného závodu je 1.8 barov; k aktivácii čerpadla dôjde aj pri poklese prietoku pod 1,5 l/min (prednastavená hodnota z výrobného závodu).

CUT-OUT: nastavenie tlaku (aktívne), nad ktorým dôjde k zastaveniu čerpadla; prednastavená hodnota z výrobného závodu je „CUT-IN“ + 1 LED, ale je možné ju zvýšiť až na 3.5 barov (50.8 psi).

Pre jej aktiváciu zvolte príslušnú funkciu stlačením tlačidla „MODE“, dokiaľ nezačne blikať LED odpovedajúca parametru CUT-OUT. Potom:

- 1) stlačiť SET **na 10 sekúnd** na aktivovanie funkcie (v tomto momente sa rozsvietia LED na hodnotách tlaku),
- 2) stlačiť SET na zvolenie požadovanej hodnoty,
- 3) na deaktivovanie funkcie polohovať hodnotu CUT-OUT na 0 [bar alebo psi],
- 4) vyjsť z nastavenia stlačením „MODE“.

POZNÁMKA: Hodnota CUT-OUT môže byť zmenená LEN po aktivovaní funkcie stlačením tlačidla SET na 10 sekúnd. Po 1 sekunde bez stlačenia akéhokoľvek tlačidla sa funkcia znova deaktivuje.

ANTI-LEAKAGE: ochrana proti únikom. Táto funkcia môže byť aktivovaná alebo zrušená. Prednastavenou hodnotou z výrobného závodu je zrušenie funkcie. Keď je táto funkcia aktivovaná a dôjde k uvedeniu čerpadla do chodu viac ako 6-krát v priebehu 2 minút, čerpadlo bude vypnuté a bude signalizovaná chyba pomalým blikaním červenej LED označenej „ALARM“.

Pre jej aktiváciu zvolte príslušnú funkciu stlačením tlačidla „MODE“, dokiaľ nezačne blikať odpovedajúca LED. Potom stlačte tlačidlo SET a zvolte požadovanú hodnotu charakterizovanú rozsvietením LED „ON“. Pre zrušenie funkcie zvolte stlačením tlačidla „SET“ stav vypnutia, signalizovaný rozsvietením LED „OFF“.

Po odstránení príčiny vynulujte alarm. Ak pretrváva, prečítajte si odsek 9.2.3.

MAX PUMP ON: maximálna doba činnosti. Táto funkcia môže byť aktivovaná alebo zrušená. Prednastavenou hodnotou z výrobného závodu je zrušenie funkcie. Keď je táto funkcia aktivovaná a čerpadlo zostane v činnosti dlhšie ako 30 minút, dôjde k jeho zastaveniu bez zobrazenia akejkoľvek signalizácie chyby.

Táto funkcia sa používa na ochranu inštalácie a v prípade náhodného zabudnutia otvoreného kohútika, pri poškodení hadice alebo v aplikáciách zavlažovania.

Pre aktiváciu tejto funkcie stlačte tlačidlo „MODE“ až do rozsvietenia LED odpovedajúcej funkcie MAX PUMP ON. Potom stlačením tlačidla SET zvolte požadovanú hodnotu charakterizovanú rozsvietením LED „ON“. Pre zrušenie funkcie zvolte stlačením tlačidla „SET“ stav vypnutia, signalizovaný rozsvietením LED „OFF“.

(C) Tlačidlo pre voľbu SET

Voliteľné režimy:

- 1) Vynulovanie alarmov.
- 2) Aktivácia/zrušenie v rámci MODE (MAX_PUMP_ON, ANTI-LEAKAGE).
- 3) Zvýšenie hodnoty parametrov v rámci MODE (CUT_IN; CUT_OUT).
- 4) VYP./ZAP. motora v rámci MANUAL MODE.
- 5) Aktivácia/pohotovostný režim čerpadla v rámci AUTO MODE.

Stlačte „SET“ kvôli zmene parametrov v prípade, keď je rozsvietená LED „MODE-CUT IN“ alebo „MODE-CUT OUT“; príslušná hodnota bude zobrazená na diagrame vo forme LED pre indikáciu tlaku. Stlačením „SET“ dôjde k zvýšeniu hodnoty. Po nastavení požadovanej hodnoty ukončíte vykonávanie zmeny stlačením tlačidla „MODE“ a opätovným rozsvietením LED odpovedajúcej režimu MODE-AUTO a aktivovanému stavu SET „ON“.

Stlačte SET aj kvôli aktivácii/zrušeniu funkcie Anti-leakage a Max Pump On. Po voľbe funkcie tlačidlom „MODE“ vykonajte jej aktiváciu voľbou SET-ON; kvôli jej zrušeniu zvolte SET-OFF.

V režime „MANUAL“ slúži tlačidlo SET na zapnutie alebo vypnutie čerpadla, charakterizované rozsvietením LED „ON“ alebo „OFF“. V automatickom režime AUTO-MODE slúži na aktiváciu „ON“ alebo prechod do pohotovostného režimu „OFF“. **PUMP ON:** signalizácia, ktorá odpovedá chodu motora.

9.2 Popis funkcií**9.2.1 Zapnutie/vypnutie čerpadla - ON/OFF (AUTO MODE, MANUAL MODE)**

Cut out zrušené → pri zasunutí zástrčky do zásuvky elektrickej siete po vykonaní skúšok LED dôjde k zapnutiu čerpadla na dobu 10 sekúnd. Cut out aktivované → Po zasunutí zástrčky do zásuvky elektrickej siete bude vykonaná skúška LED v priebehu prvých 3

sekúnd (rozsvietenie LED 0 vždy informuje, že zariadenie je pod napätím) a v rámci prednastavenia bude nastavený režim „**AUTO MODE**“ s rozsvietením kontrolky „**ON**“. Čerpadlo bude uvedené do chodu, keď bude tlak menší ako hodnota CUT-IN, a keď bude prietok menší ako minimálna hodnota prietoku odpovedajúca cut-in. Čerpadlo zostane v činnosti dokiaľ tlak nedosiahne hodnotu CUT-OUT. Po jej dosiahnutí dôjde k jeho vypnutiu bez ohľadu na prietok.

V prípade voľby režimu „**MANUAL MODE**“ bude po jednom stlačení tlačidla „**MODE**“ čerpadlo uvedené do chodu a LED „**ON**“ zostane rozsvietená, zatiaľ čo pri stlačení „**SET**“ dôjde k vypnutiu čerpadla a k rozsvieteniu LED „**OFF**“.

Keď bude čerpadlo uvedené do chodu, prejde do režimu sprevádzkovanie.

Pozn.: Uistite sa, že ste dodržali pokyny pre inštaláciu, a že čerpadlo bolo riadne naplnené vodou.

9.2.2 Fáza sprevádzkovania

Keď čerpadlo začne fungovať, prejde do režimu sprevádzkovania, a keď počas tejto fázy nebude zaznamenaný prietok a tlak, motor bude ponechaný v chode po dobu 3 minút. Po ich uplynutí prejde do režimu alarmu chodu nasucho. Ak počas uvedeného intervalu dôjde k obnoveniu prietoku alebo tlaku, začne čerpadlo fungovať obvyklým spôsobom.

9.2.3 Vynulovanie alarmov

Pri výskyte alarmu sa rozsvieti červená kontrolka „**ALARM**“. Alarm je možné vynulovať jedným stlačením tlačidla „**SET**“, ak bola príčina, ktorá ho aktivovala, už odstránená a bude pokračovať bežná činnosť; v opačnom prípade čerpadlo znovu prejde do režimu alarmu.

9.2.4 Signalizácia ZAPNUTIA/VYPNUTIA napätia

Ak je zariadenie pod napätím, LED tlaku 0 na pruhovom diagrame tvorenom LED, zostane rozsvietená. Ak zariadenie nie je pod napätím, uvedená LED bude zhasnutá.

Pozn.: Počas dlhšej nečinnosti sa odporúča vypnúť napájanie vytiahnutím zástrčky zo zásuvky elektrickej siete.

9.2.5 Signalizácia ZAPNUTIA/VYPNUTIA čerpadla

Keď je motor v chode, musí byť rozsvietená modrá LED „**PUMP ON**“, ktorá bude informovať o činnosti. Po zastavení motora dôjde k zhasnutiu tejto LED.

9.2.6 Signalizácia Alarmov

Ak je aktivovaný alarm, rozsvieti sa stále červené svetlo „**ALARM**“.

Chod nasucho (Dry-running): stále červené svetlo

Únik (leakage): pomalé blikanie

Max Pump ON (čerpadlo je v činnosti dlhšie ako 30 minút): 2 rýchle bliknutia s dlhšou pauzou.

Pre vynulovanie alarmov stlačte „**SET**“.

9.2.7 Ochrana proti chodu nasucho (Dry running protection)

Keď čerpadlo funguje nasucho, po niekoľkých sekundách (40 s) bude zastavené a bude signalizovaná chyba prostredníctvom rozsvietenia stáleho červeného svetla „**ALARM**“.

Po prvom období 30 min, počas ktorého sa čerpadlo nachádza v stave VYPNUTIA bude vykonaný nový pokus o uvedenie do prevádzky, trvajúci 5 min. Ak ani tento nebude úspešný, ďalší bude vykonaný každých 30 min, až po maximálnych 48 pokusov. Ak všetky tieto pokusy skončia neúspešne, bude vykonaný jeden každých 24 hodín.

Zariadenie automaticky ukončí režim alarmu Chod nasucho pri obnovení prietoku alebo tlaku.

Pri vynulovaní alarmu (viď odsek 9.2.3) bude nový pokus vykonaný po dobu 40 s.

Odstráňte príčiny alarmu a vynulujte ho (viď odsek 9.2.3).

9.2.8 Ochrana proti únikom (ANTI-LEAKAGE)

Túto funkciu je možné aktivovať alebo zrušiť; prednastavenie z výrobného závodu odpovedá jej zrušeniu. Keď je táto funkcia aktivovaná a dôjde k uvedeniu čerpadla do chodu viac ako 6-krát v priebehu 2 minút, čerpadlo bude vypnuté a bude signalizovaná chyba pomalým blikaním červenej LED označenej „**ALARM**“.

Odstráňte príčiny alarmu a vynulujte ho (viď odsek 9.2.3).

Ohľadom postupu pre aktiváciu si prečítajte odsek Anti-leakage.

9.2.9 Max Pump On

Jedná sa o maximálnu dobu činnosti. Táto funkcia môže byť aktivovaná alebo zrušená. Prednastavenou hodnotou z výrobného závodu je zrušenie funkcie. Keď je táto funkcia aktivovaná a čerpadlo zostane v činnosti dlhšie ako 30 minút, dôjde k jeho zastaveniu a k blikaniu signalizácie ALARM.

Táto funkcia sa používa na ochranu inštalácie a v prípade náhodného zabudnutia otvoreného kohútika, pri poškodení hadice alebo v aplikáciách zavlažovania.

9.2.10 Alarm snímača tlaku

Zariadenie prejde do režimu Alarmu snímača tlaku, keď sa hodnota tlaku nachádza mimo prevádzkového rozsahu (0-15 barov). Čerpadlo bude vypnuté a chyba bude vynulovaná bezprostredne po obnovení hodnoty tlaku v prevádzkovom rozsahu.

9.3 Prvé uvedenie do prevádzky

9.3.1 Skúšky funkčnosti LED

Pri prvom uvedení do prevádzky alebo po zasunutí zástrčky napájacieho kábla do zásuvky elektrickej siete bude vykonaná Skúška 20 LED trvajúca pár sekúnd, počas ktorých budú postupne rozsvietené všetky LED.

9.3.2 Sprevádzkovanie

Čerpadlo bude automaticky uvedené do režimu **AUTO** a nastavené na **ON**.

Výsledkom môžu byť tri odlišné stavy:

- 1) Prítomnosť prietoku ale nízky tlak: dôjde k prechodu z fázy sprevádzkovania do režimu bežnej prevádzky.
- 2) Prítomnosť tlaku ale chýbajúci prietok: po 10 s pretrvávania tohto stavu dôjde k vypnutiu čerpadla.

- 3) Žiadny prietok ani tlak: dôjde k vypnutiu čerpadla a zobrazeniu chyby Chod nasucho, a to približne po 3 minútach signalizácie prostredníctvom rozsvietenia červenej LED SET-ALARM. Odstráňte príčiny alarmu a vynulujte ho (viď odsek 9.2.3).

9.4 Bežný stav pri zrušenom CUT-OUT (prednastavenie z výrobného závodu)

Zrušenie Cut-out odpovedá nižšie uvedeným krokom:

- Čerpadlo bude aktivované, ak je prítomný prietok alebo ak chýba tlak (tlak menší ako hodnota CUT IN (v priebehu 10 s).
- Čerpadlo bude zastavené, ak pretrváva stav prítomnosti tlaku ale absencie prietoku nepretržite po dobu 10 s.

LED CUT OUT bude počas bežnej činnosti zhasnutá. Ohľadom zmeny nastavenia si prečítajte odsek 9.1.1. (B).

9.5 Bežný stav pri aktivovanom CUT-OUT

Aktivácia Cut-out odpovedá nižšie uvedeným krokom:

- Čerpadlo bude aktivované pri tlaku menšom ako je tlak CUT IN.
- Čerpadlo bude zastavené pri tlaku väčšom ako je tlak CUT OUT.

LED CUT OUT bude počas bežnej činnosti rozsvietená. Ohľadom zmeny nastavenia si prečítajte odsek 9.1.1. (B).

10. OPATRENIA

NEBEZPEČENSTVO ZAMRZNUTIA: Keď čerpadlo zostane vypnuté pri teplote nižšej ako 0 °C, je potrebné sa uistiť, že sa v ňom nenachádzajú zvyšky vody, ktoré by mohli pri zamrznutí zničiť plastové časti.

Ak použijete čerpadlo na čerpanie látok, ktoré majú tendenciu vytvárať nánosy, alebo na čerpanie chlóranej vody, po použití ho opláchnite silným prúdom vody tak, aby sa zabránilo vytváraniu nánosov alebo usadenín, ktoré by mohli znížiť výkon čerpadla.

11. ÚDRŽBA A ČISTENIE

Elektrické čerpadlo si pri normálnej činnosti nevyžaduje žiaden typ údržby. V každom prípade akékoľvek zásahy opravy a údržby musia byť uskutočnené len po odpojení čerpadla z napájacej siete. Pri opätovnom uvedení čerpadla do chodu sa uistite, že bolo spätne zmontované určeným spôsobom, aby nedochádzalo k ohrozeniu osôb.

11.1 Čistenie nasávacieho filtra (Obrázok 3)

- Odpojte elektrické napájanie čerpadla.
- Vykonajte odvodnenie čerpadla otvorením vypúšťacieho uzáveru (6), a potom čo najskôr zatvorte ručné ventily na vstupe (ak sú súčasťou).
- Rukami alebo príslušným náradím z výbavy odskrutkujte veko komory filtra.
- Zhora vyberte jednotku filtra.
- Opláchnite nádobku pod tečúcou vodou a vyčistite filter jemnou kefou.
- Namontujte filter späť, pričom postupujte rovnako, ale v opačnom poradí.

11.2 Čistenie spätného ventilu (NRV) (Obrázok 4)

- Odpojte elektrické napájanie čerpadla.
- Odmontujte uzáver NRV (5) pomocou príslušenstva dodaného v rámci výbavy.
- Zložte spätný ventil NRV a vyčistite ho od prípadných nečistôt.
- Vykonajte montáž jednotlivých súčastí, pričom postupujte rovnako ako pri demontáži, ale v opačnom poradí.

12. VYHLADÁVANIE PORÚCH



Pred vyhľadávaním porúch vždy odpojte prívodný kábel od elektrickej siete (vytiahnite vidlicu prívodného kábla zo zásuvky). Ak zistíte nejaké poškodenie čerpadla alebo prívodného kábla, obráťte sa s opravou na výrobcu alebo na jeho autorizovaný servis alebo osobu s rovnakou kvalifikáciou, aby bolo zamedzené akémukoľvek nebezpečenstvu.

RIEŠENIE PROBLÉMOV	KONTROLY (možné príčiny)	RIEŠENIA
1. Nedochádza k uvedeniu motora do chodu a motor nevydáva žiadny zvuk.	A. Motor čerpadla nie je pod napätím. B. Motor čerpadla nie je pod napätím. C. Skontrolujte ochranné poistky. D. Možný zásah tepelnej ochrany.	A. Skontrolujte elektrický prívod. B. Skontrolujte prívodný kábel k čerpadlu. C. Ak sú vadné poistky, nahraďte ich novými. D. Vyčkajte pribl. 20 min na ochladenie motora. Skontrolujte príčinu, ktorá ho spôsobila a odstráňte ju. POZN.: Prípadné bezprostredné opakovanie tejto poruchy poukazuje na skrat motora.
2. Nedochádza k uvedeniu motora do chodu, ale motor vydáva zvuky.	A. Nízke napájacie napätie. B. Skontrolujte, či čerpadlo alebo motor nie sú upchaté. C. Skontrolujte, či hriadeľ nie je zablokovaný. D. Skontrolujte stav kondenzátora.	A. Skontrolujte napájacie napätie. B. Odstráňte upchatia. C. S použitím nástroja z výbavy odskrutkujte veko a skrutkovačom odblokujte hriadeľ. D. Vymeňte kondenzátor.

3. Motor sa otáča s ťažkosťami.	A. Uistite sa, že napájacie napätie nie je nedostatočné. B. Skontrolujte možné odieranie medzi pohyblivými a pevnými časťami.	A. Skontrolujte napájacie napätie. B. Odstráňte príčiny odierania.
4. Čerpadlo nečerpá vodu.	A. Čerpadlo nie je správne zaliate. B. Nasávacia hadica má nedostatočný priemer. C. Je upchatý spätný ventil NRV alebo sú upchaté filtre.	A. Naplňte čerpadlo vodou, zalejte ho a skontrolujte, či uniká vzduch odskrutkovaním odvzdušňovacieho uzáveru. B. Vymeňte hadicu za inú, s väčším priemerom. C. Vyčistite filter a ak by to nestačilo, tak aj NRV.
5. Nedochádza k zaliatiu čerpadla.	A. Nasávanie vzduchu prostredníctvom nasávacej hadice. B. Negatívny sklon nasávacej hadice podporuje vytváranie vzduchových vakov.	A. Odstráňte uvedený negatívny jav kontrolou tesnosti spojov a opakovaným zaliatím. B. Upravte sklon nasávacej hadice..
6. Čerpadlo čerpá s nedostatočným prietokom.	A. Nasávacia hadica je upchatá. B. Obežné koleso je opotrebované alebo upchaté. C. Nasávacie potrubie má nedostatočný priemer.	A. Vyčistite nasávaciu hadicu. B. Odstráňte upchatia alebo vymeňte poškodené súčiastky. C. Vymeňte potrubie za iné, s väčším priemerom.
7. Čerpadlo vibruje a je hlučné.	A. Skontrolujte, či čerpadlo aj potrubia sú riadne pripevnené. B. Dochádza ku kavitácii v čerpadle, t.j. požaduje sa viac vody, ako dokáže načerpať. C. Čerpadlo pracuje nad svoje menovité hodnoty.	A. Dôslednejšie pripevnite povolené časti. B. Znížte nasávaciu výšku alebo skontrolujte pokles tlaku. C. Môže byť užitočné obmedziť prietok na prítoku.

13. ZÁRUKA



Každá úprava, ktorá nebola autorizovaná predom, zbavuje výrobcu zodpovednosti akéhokoľvek druhu. Všetky náhradné diely používané pri opravách musia byť originálne a všetko príslušenstvo musí byť autorizované výrobcom, aby sa mohla garantovať maximálna bezpečnosť strojov a zariadení, na ktorých môžu byť namontované.

Na tento výrobok sa vzťahuje právna záruka (v Európskom spoločenstve na dobu 24 mesiacov od dátumu zakúpenia) na všetky výrobné chyby alebo na použitý materiál.

Výrobok v záruke bude možné, na základe nenapadnuteľného rozhodnutia, buď vymeniť za iný v dokonale funkčnom stave alebo bezplatne opraviť, ak boli dodržané nižšie uvedené podmienky:

- výrobok bol používaný správnym spôsobom, v súlade s návodom, a nebol vykonaný žiadny pokus o opravu kupujúcim alebo treťou stranou;
- výrobok bol doručený do predajného miesta, v ktorom bol zakúpený, s priložením dokumentu, ktorý potvrdzuje zakúpenie (faktúra alebo účtenka) a krátkym popisom zaznamenaného problému.

Záruka sa nevzťahuje na časti vystavené opotrebovaniu, čo je najmä obežné koleso, upchávkvy a tesnenia.

KAZALO

1. UPORABA.....	178
2. TEKOČINE, KI JIH JE MOGOČE ČRPATI.....	179
3. TEHNIČNI PODATKI IN OMEJITVE UPORABE.....	179
4. UPRAVLJANJE	179
4.1 Skladiščenje	179
4.2 Prevažanje	179
4.3 Teža in velikost.....	179
5. OPOZORILO	179
6. NAMESTITEV.....	180
7. PRIKLOP NA ELEKTRIKO.....	180
8. ZAGON.....	180
9. VMESNIK ZA ELEKTRONSKO VODENJE.....	181
9.1 Pregled značilnosti	181
9.1.1 Opis prikazovalnika:.....	181
9.2 Opis funkcij.....	182
9.2.1 Črpalka ON/OFF (AUTO MODE, MANUAL MODE)	182
9.2.2 Faza črpanja	183
9.2.3 Ponastavitev alarmov.....	183
9.2.4 Prikazovanje napetosti ON/OFF	183
9.2.5 Prikazovanje črpalke On/off	183
9.2.6 Prikazovanje alarmov.....	183
9.2.7 Zaščita pred delovanjem na suho (Dry running protection)	183
9.2.8 Zaščita pred puščanjem (ANTI-LEAKAGE)	183
9.2.9 Max pump on	183
9.2.10 Alarm senzorja za tlak.....	183
9.3 Prvi zagon	183
9.3.1 Test led diod	183
9.3.2 Prvo črpanje.....	183
9.4 Normalno delovanje z izklopljenim CUT-OUT (tovarniško)	183
9.5 Normalno delovanje z vklopljenim CUT-OUT	183
10. VARNOSTNI UKREPI.....	184
11. ČIŠČENJE IN VZDRŽEVANJE.....	184
11.1 Čiščenje sesalnega filtra	184
11.2 Čiščenje nepovratnega ventila	184
12. ISKANJE OKVARE.....	184
13. GARANCIJA	185

OPOZORILO



Pred nameščanjem natančno preberite celotno dokumentacijo.



Pred vsakim posegom jo izklopite iz napajanja. V vsakem primeru se izognite delovanju na suho.



Nujno zaščititi električno črpalko od vremenskih nevarnosti.



Zaščita proti preobremenjenosti . Črpalka ima samodejno toplotno zaščito motorja. V primeru eventualnega pregrevanja motorja, samodejna naprava avtomatsko izključi črpalko. Potreben čas za ohlajevanje je približno 15-20 minut, nato pa se črpalka avtomatski ponovno vključi. Po posegu samodejne naprave je nujno potrebno poiskati vzrok in ga eliminirati. Poglejte si po-glavje Iskanje Okvar.

1. UPORABA

Samosesalne centrifugalne črpalke s curkom, z izjemno sesalno sposobnostjo tudi za gazirano vodo. Izredno primerne za oskrbo z vodo in uravnavanje tlaka v hišah. Primerne za obdelovanje vrtov, nujne primere doma in hobijske na sploh. Zaradi kompaktnosti in priročnosti so uporabne tudi kot prenosne črpalke za nujne primere kot je zajemanje vode iz rezervoarjev ali rek. **Če je proizvod opremljen z Wifi, glejte navodila v Hitrem vodiču.**



Teh črpalk ni mogoče uporabljati v bazenih, mlakah, bazenih z ljudmi oz. za črpanje ogljikovodikov (bencina, dizelskega goriva, oljnih goriv, topil itd.) v skladu z veljavnimi protinezgodnimi predpisi za področje. Pred shranjevanjem je priporočljivo čiščenje. Glej poglavje "Čiščenje in vzdrževanje".

2. TEKOČINE, KI JIH JE MOGOČE ČRPATI

Čisto brez trdih ali abrazivnih delcev, ni jedko.

Sladke vode	•
Deževnica (filtrirana)	•
Čiste odpadne vode	○
Umazane vode	○
Voda iz vodnjaka (filtrirana)	•
Voda iz rek ali jezer (filtrirana)	•
Pitna voda	•

Preglednica 1

- Primerno
- Neprimerno

3. TEHNIČNI PODATKI IN OMEJITVE UPORABE

- **Napajalna napetost: 220-240V**, glej tablico s podatki o elektriki.
- **Tokovni prekinjevalnik (različica 220-240V):** okvirne vrednosti (amper).
- **Temperatura skladiščenja:** -10°C +40°C.

Model	Omrežna varovalka 220-240V 50Hz
P1= 850	4
P1= 1100	6
P1= 640	4
P1= 920	6

Preglednica 2

	Model	P1=850	P1=1100	P1=640	P1=920
Električni podatki	P1 Nominalna vhodna moč [W]	850	1100	640	920
	P2 [W]	600	750	380	560
	Napetost omrežja	1~220-240 AC			
	Frekvenca omrežja [Hz]	50			
	Tok [A]	3.88	4.58	3.10	4.20
	Kondenzator [µF]	12.5	16	16	12.5
	Kondenzator [Vc]	450			
Hidravlični podatki	Maks. pretok [l/h]	3180	3750	3600	4800
	Maks. sesalna višina [m]	43	45	32	40
	Maks. sesalna višina [bar]	4.3	4.5	3.2	4.0
	Maks. tlak [bar]	6			
	Maks. globina sesanja [m/min]	8m / <3min		6m / < 3min	
Področje uporabe	Dol. Napajalni kabel [m]	1.5			
	Vrsta kabla	H07 RNF			
	Stopnja zaščite motorja	IP X4			
	Izolacijski razred	F			
	Polje temperature tekočine [°C] v skladu z EN 60335-2-41 za uporabo v gospodinjstvu	0 °C / +35 °C			
	Maks. velikost delcev [mm]	Čista voda			
	Maks. Temperatura okolja [°C]	+40 °C			
Teža	DNM GAS	1" M			
	Neto/bruto teža ca. [kg]	9.6/11.8	10.3/12.5	10.1/12.1	10.9/12.9

Preglednica 3



Črpalka ne more vzdržati teže cevododa, ki ga je treba drugače podpreti.

4. UPRAVLJANJE**4.1 Skladiščenje**

Vse črpalke je treba skladiščiti v zaprtih in suhih prostorih s konstantno vlažnostjo zraka, brez vibracij in prašnih delcev. Dobavljajo se v originalnem pakiranju in se ne smejo odvijati do namestitve.

4.2 Prevažanje

Izdelkov ne izpostavljajte nepotrebnim udarcem in trkom.

4.3 Teža in velikost

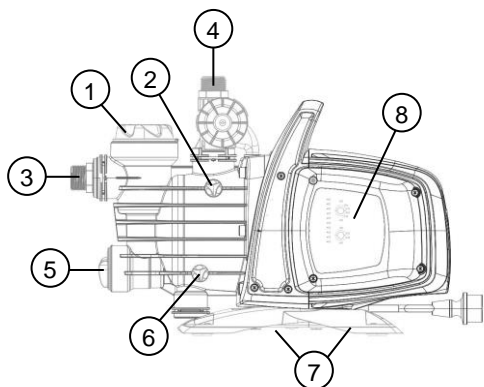
Na nalepki na embalaži je navedena skupna teža električne črpalke in njena velikost.

5. OPOZORILO

Črpalke se ne sme nikoli prevažati, dvigovati ali vklapljeti tako, da visijo na napajalnem kablu. Za to se uporabljajo ustrezna ročica.

- Črpalke se ne sme nikoli vključiti na suhem.
- Priporočamo, da odzračni/izpustničep (2 in 6) odpirate/zapirate previdno in brezpretiranesile.

6. NAMESTITEV



1. Prefilter
2. Izpušni pokrov
3. Premični sesalni priključek
4. Dovodni priključek
5. Integriran nepovratni ventil
6. Odvodni pokrov
7. Protivibracijske gumijaste nogice
8. Vmesnik za elektronsko vodenje

Električno črpalko je treba namestiti zaščiteno pred vremenskimi vplivi in na temperaturo okolja, ki ne presega 40°C.

Črpalka ima protivibracijske nogice, ki pa jih je pri stalni namestitvi mogoče odstraniti in črpalko usidrati na podlago (7).

Pazite, da cevi ne prenašajo prevelikih obremenitev na ustja črpalke (3) in (4), da se ne deformirajo ali razbijejo.

Vedno je dobra praksa črpalko postaviti čim bližje tekočini za črpanje.

Črpalko je treba namestiti izključno vodoravno!

Notranji premer cevi ne sme biti nikoli manjši od premera ustij električne črpalke. Za sesanje je črpalka opremljena s filtrom (1) in nepovratnim ventilom (NRV) (5).

Za sesanje na globini večji od štirih metrov ali pri precejšnjih vodoravnih predelih se priporoča uporaba sesalne cevi s premerom večjim od premera sesalnega ustja električne črpalke. Da bi preprečili nastanek zračnih žepov v sesalni cevi je priporočljiv pozitiven nagib sesalne cevi proti električni črpalki. Sl.2

Če je sesalna cev gumijasta ali iz upogljivega materiala, vedno preverite, da je material ojačan in vzdržljiv na vakuum, da ne bi pri sesanju prišlo do zožitve.

Pri stalni namestitvi priporočamo namestitev zapornega ventila tako na strani sesanja kot na strani dovajanja. To omogoča zaprtje pretoka nad ali pod črpalko za potrebe vzdrževanja in čiščenja ali ko se črpalke ne uporablja.

Črpalka ima za lažje nameščanje vrtljive vhode in izhode. (3) in (4)

Pri upogljivih ceveh po potrebi uporabite koleno sl.1 in set za vrtnarjenje, ki vsebuje PE cev in komplet spojnikov z varilno glavo, ki niso priloženi in jih je mogoče kupiti ločeno.

Pri zelo majhni umazaniji priporočamo, da poleg vgrajenega filtra (1) uporabite filter za vstop v črpalko, ki ga namestite na sesalno cev.

- Preprečite prepogosto zaganjanje motorja/uro. Zelo se priporoča, da se ne prekorači 20 zagonov/uro



Premer sesalne cevi mora biti večji ali enak premeru ustja električne črpalke, glej preglednico št. 3.

7. PRIKLOP NA ELEKTRIKO



Preverite da napetost omrežja ustreza napetosti, ki je navedena na oznaki motorja za napajanje in, da ga je mogoče dobro pritrditi na tla. **Upoštevajte navodila na tehnični tablici in v 3. tabeli tega priročnika.**

Dolžina napajalnega kabla na črpalki omejuje razdaljo namestitve. Če bi bil potreben podaljšek, pazite, da je istega tipa (npr.H05 RN-F ali H07 RN-F slede na namestitve) glej preg. št.3.

8. ZAGON



Črpalke ne zaganjajte dokler je niste povsem napolnili s tekočino, ca. 4 litre, dokler se ne izlije iz pokrovčka za odvajanje zraka (2).

Če zmanjka vodnega vira, takoj izklopite kabel in ugasnite črpalko. Izogibajte se delovanju na suho.

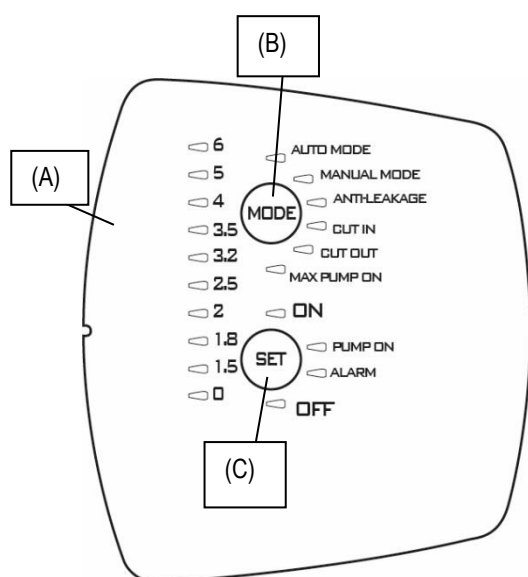
1. Pred zagonom preverite, da črpalka pravilno črpa tako da jo povsem napolnite s čisto vodo skozi temu namenjeno odprtino, po tem, ko ste odstranili dovodni pokrov prozornega filtra (1), z rokami ali z ustreznim priloženim orodjem. Istočasno odprite tudi izpušni pokrov (2), da izpustite zrak. To je bistveno za brezhibno delovanje črpalke, izredno pomembno zato, da je mehansko tesnilo dobro namazano. **Delovanje na suho nepopravljivo poškoduje mehansko tesnilo.**
2. Dovodni pokrov morate nato skrbno zaviti nazaj do ustavitve (1), kot tudi izpušni pokrov (2).
3. Vključite vtičič napajalnega kabla v vtičnico z napetostjo 220-240V. **Pozor!** Motor črpalke se bo zagnal takoj, voda bo začela odtekati po največ 3 minutah, glede na globino nivoja vode v jašku ali rezervoarju.
4. Črpalka bo še naprej delovala in izločala vodo. **Pozor!** Preprečite delovanje na suho.
5. Črpalko izklopite tako, da iztaknete napajalni kabel.



Če imate težave z grundiranjem, postopek ponavljajte, dokler ne bo izginil ves sesalni zrak.

9. VMESNIK ZA ELEKTRONSKO VODENJE

9.1 Pregled značilnosti



Opis	Parametri
Napetost, frekvenca v varnostnem listu	1x220-240V, 50/60 Hz
Prikazovanje napetosti on/off	●
Prikazovanje motorja on/off	●
Prikazovanje alarmov	●
Prikazovanje tlaka	●
Prikazovanje načina (Mode)	●
Auto Mode	●
Manual Mode (ročno)	○
Zaščita pred delovanjem na suho	●
Zaščita pred puščanjem	○
Zaščita Max pump on	○ (30 minut)
Tlak Cut-in	○ Spremenljiva (1,5 – 3,0 bar)
Tlak Cut-out	○ (Cut-in + 1 bar)
Avtomatično črpanje	●
Tipke za izbiro	●

● = Določeno; ○ = Mogoče izbrati

9.1.1 Opis prikazovalnika:

(A) Led indikator tlaka

Uporablja se 10 led diod za prikazovanje tlaka od 0 do 6 bar. Ko se v sistemu spreminja tlak, se posledično prižigajo in ugašajo led diode.

Funkcija	Konfiguracija prikazovalnika	Nastavi	Ponastavi Alarm
Auto Mode		ON: vklopi OFF: izklopi	
Manual mode		ON: vklopi OFF: izklopi	
Anti-leakage		ON: vklopljeno OFF: izklopljeno	Pritisnite SET
Cut in		povečaj / zmanjšaj	
Cut out		povečaj / zmanjšaj OFF: izklopljeno	
Max pump on		ON: vklopljeno OFF: izklopljeno	Pritisnite SET

(B) Gumb za izbiro načina MODE

Načini, ki jih je mogoče izbrati:

- | | |
|-------------------|-----------------|
| 1) AUTO_MODE; | 4) CUT_IN; |
| 2) MANUAL_MODE; | 5) CUT_OUT; |
| 3) ANTI LEACKAGE; | 6) MAX_PUMP_ON; |

Da omogočite izbiro delovanja na »MODE« držite tipko »MODE« pritisnjeno 5 sekund.

Pritisnite "**MODE**" za pregled različnih funkcijskih načinov (AUTO_MODE ali MANUAL_MODE) ali parametrov za spreminjanje (CUT IN in CUT OUT) ali za vklop določenih funkcij (ANTI-LEAKAGE in MAX PUMP ON). Med pretakanjem bo utripala led dioda za izbrano funkcijo. Po vrnitvi v AUTO_MODE bodo delujoče funkcije prikazane tako, da bo pripadajoča led dioda gorela neprekinjeno. Glej 2. odstavek (Opis funkcij).

Indikatorji na "MODE"

AUTO MODE: črpalka bo delovala v samodejnem načinu, glej 9.2.1

MANUAL MODE: črpalka deluje v ročnem načinu, glej 9.2.1, uporabnik jo vklopi ali izklopi s pritiskom na gumb "**SET**". SET-ON vklopljena SET-OFF izklopljena.

CUT-IN: nastavek tlaka (vedno vklopljeno) minimalni tlak pod katerim se zažene črpalka je mogoče nastaviti med 1,5 in 3,0 bar, tovarniško 1.8 bar; črpalka se zažene tudi, če je tok manjši od tovarniško nastavljenega minimalne vrednosti 1,5 l/min.

CUT-OUT: nastavek tlaka (izklopljeno) tlak, nad katerim se črpalka ustavi, tovarniško nastavljeno na "CUT-IN" + 1 LED, se lahko poveša do 3.5 bar (50.8 psi)., Za zagon pritisnite "MODE" dokler ne začne utripati led dioda za CUT-OUT, nato:

- 1) držite tipko SET pritisnjeno **10 sekund**, da odklenete funkcijo (prižgejo se LED lučke ob vrednostih tlaka),
- 2) pritisnite SET, da izberete zeleno vrednost,
- 3) funkcijo onemogočite tako, da vrednost cut-out nastavite na 0 [bar ali psi],
- 4) za izhod iz nastavev pritisnite tipko MODE.

OPOMBA: vrednost CUT-OUT lahko spremenite šele potem, ko 10 sekund držite pritisnjeno tipko SET in tako odklenete funkcijo. Če 1 sekundo ne pritisnete nobene tipke, se funkcija zopet zaklene.

ANTI-LEAKAGE: zaščita pred puščanjem. Funkcijo lahko vklopite ali izklopite. Tovarniško je izklopljena. Če je vklopljena, ko pride do situacije, ko se črpalka zažene več kot 6 krat v 2 minutah, se bo ustavila, napaka pa bo javljena z utripajočo rdečo lučko na oznaki "**ALARM**". Za zagon pritisnite "MODE" dokler ne začne utripati led dioda, nato pritisnite SET, dokler ne bo prižgana lučka "ON". Če želite izključiti pritisnite SET, dokler ne bo prižgana lučka kazala OFF.

Po odstranitvi vzroka ponastavite alarm, če se še pojavlja glej 9.2.3.

MAX PUMP ON: Maksimalno obdobje delovanja. Funkcijo lahko vklopite ali izklopite. Tovarniško je izklopljena. Ko je vklopljena, če se pojavijo pogoji, v katerih črpalka deluje več kot 30 minut, se bo slednja ustavila in ne bo prikazana napaka.

Ta funkcija ščiti namestitvev v primeru, da pozabimo zapreti vodovodno pipo, pri okvari cevi ali ob poplavi.

Za zagon pritisnite "MODE" dokler se ne prižge led dioda funkcije MAX PUMP ON, nato pritisnite SET, dokler ne bo prižgana lučka "ON". Če želite izključiti pritisnite SET, dokler ne bo prižgana lučka kazala OFF.

(C) Gumb za izbiro SET

Načini, ki jih je mogoče izbrati:

- 1) Ponastavitev alarmov.
- 2) Vklopi / izklopi v MODE (MAX_PUMP_ON, ANTILEACKAGE).
- 3) Poveča parametre v načinu MODE (CUT_IN; CUT_OUT).
- 4) Motor ON / OFF v načinu MANUAL MODE.
- 5) Delujoča črpalka / črpalka v pripravljenosti v načinu AUTO MODE.

Pritisnite "**SET**" za spremembo parametrov, če je lučka prižgana pri MODE-CUT IN ali MODE-CUT OUT, vrednost se bo prikazala na svetlobni lestvici, ki prikazuje nivo tlaka. S pritiskom na "**SET**" se bo vrednost povečala. Po nastavitvi zelene vrednosti zapustite spremembo s pritiskom na "**MODE**" tako da se lučka ponovno prižge pri MODE-AUTO z vključenim SET "ON".

Pritisnite SET tudi za vklop / izklop funkcij Anti-leakage in Max pump On. Po izbiri funkcije s tipko "MODE" jo vključite s tipko SET-ON, izključite pa s SET-OFF.

V načinu "MANUAL" boste s tipko SET prižgali ali ugašali črpalko, Lučka bo gorela na "On" ali "OFF".

V samodejnem načinu AUTO-MODE jo uporabite za zagon »ON« ali postavitev v stanje pripravljenosti »OFF«.

PUMP ON: nakazuje motor v delovanju.

9.2 Opis funkcij**9.2.1 Črpalka ON/OFF (AUTO MODE, MANUAL MODE)**

Cut out izključen → ob priklopu vtikača po testiranju led diod se črpalka vklopi za 10 sekund.

Cut out vključen → Po priklopu vtikača se za 3 sekunde zažene test led diod (vklop diode 0 vedno nakazuje napetost) in se privzeto nastavi način "**AUTO MODE**" in se prižge lučka "**ON**". Črpalka se bo zagnala, če bo tlak nižji od vrednosti CUT-IN in tok nižji od minimalnega cut-in toka. Črpalka bo delovala, dokler tlak ne bo padel pod vrednost CUT-OUT, nakar se bo izklopila ne glede na tok.

Če pa se izbere način **“MANUAL MODE”**, se bo s pritiskom na tipko **“MODE”**, črpalka zagnala in se bo prižgala lučka **“ON”**, ob pritisku na tipko **“SET”** se bo črpalka ugasnila in se bo prižgala lučka **“OFF”**.

Po zagonu bo črpalka prešla v način ČRPANJA.

Bodite pozorni, da se pri nameščanju skrbno sledi navodilom in da je črpalka povsem napolnjena z vodo.

9.2.2 Faza črpanja

Po zagonu bo črpalka začela s črpanjem. Če v tej fazi ne bo zaznala toka ali tlaka, bo motor ostal prižgan 3 minut, nato pa se bo prižgal alarm za delovanje na suho. Če pa bo v tem času zaznala tok ali tlak bo začela s črpanjem in delovala normalno.

9.2.3 Ponastavitev alarmov

Ob alarmu se bo prižgala rdeča lučka za **“ALARM”**. Alarm se ponastavi z enkratnim pritiskom na gumb **“SET”**. Če je bil vzrok alarma odpravljen se nadaljuje z normalnim delovanjem, v nasprotnem primeru pa bo črpalka ponovno javila alarm.

9.2.4 Prikazovanje napetosti ON/OFF

Če je prisotna napetost, se prižge led dioda za tlak 0 na svetlobni lestvici. Če ni napetosti, se ta lučka ugasne.

Pozor: ob daljšem obdobju mirovanja priporočamo odvzem napetosti z izklopom napajalnega kabla.

9.2.5 Prikazovanje črpalke On/off

Med delovanjem motorja mora biti prižgana modra lučka ob **“PUMP ON”**, ki prikazuje delovanje. Ko se motor ustavi se ta lučka ugasne.

9.2.6 Prikazovanje alarmov

Ob alarmu se prižge ali utripa rdeča lučka ob znaku **“ALARM”**.

Delovanje na suho (Dry-running): prižgana rdeča lučka

Puščanje (Leakage): počasno utripanje

Max Pump ON (črpalka deluje več kot 30 minut): 2 hitra utripa, prekinjena z daljšim premorom.

Pritisnite »SET«, da ponastavite alarme.

9.2.7 Zaščita pred delovanjem na suho (Dry running protection)

Če črpalka deluje na suho, se po nekaj sekundah (40 sek.) ustavi in se pokaže signal za napako z rdečo lučko ob znaku **“ALARM”**.

Po prvih 30 min izklopa črpalke (OFF) se jo ponovno poskusi zagnati za 5 min. Če tudi ta poskus ni uspešen, se ponavlja vsakih 30 min, do največ 48 krat. Če ne uspe nobeden od teh poskusov, se ponovno poskuša vsakih 24 ur.

Naprava avtomatično prekine delovanje na suho, če zazna tok oz. tlak.

Če se alarm ponastavi glej 9.2.3. Nov poskus se izvede po 40 sek.

Odstranite vzrok in ponastavite alarm, glej 9.2.3.

9.2.8 Zaščita pred puščanjem (ANTI-LEAKAGE)

Funkcijo lahko vklopite ali izklopite, tovarniško je izklopljena. Če je vklopljena, ko pride do situacije, ko se črpalka zažene več kot 6 krat v 2 minutah, se bo ustavila, napaka pa bo javljena z utripajočo rdečo lučko na oznaki **“ALARM”**.

Odstranite vzrok in ponastavite alarm, glej 9.2.3.

Za postopek zagona glej pog Anti-leakage.

9.2.9 Max pump on

Maksimalno obdobje delovanja. Funkcijo lahko vklopite ali izklopite. Tovarniško je izklopljena. Ko je vklopljena, če se pojavijo pogoji, v katerih črpalka deluje več kot 30 minut, se bo slednja ustavila, utripala bo lučka za **“ALARM”**.

Ta funkcija ščiti namestitvev v primeru, da pozabimo zapreti vodovodno pipo, pri okvari cevi ali ob poplavi.

9.2.10 Alarm senzorja za tlak

Na napravi se vklopi alarm senzorja za tlak, če vrednost tlaka izstopi iz obsega delovanja (0 - 15 bar). Črpalka se ugasne, napaka se ponastavi čim se razmere tlaka vrnejo v zastavljeni obseg.

9.3 Prvi zagon

9.3.1 Test led diod

Ob prvem zagonu ali po priključitvi napajalnega kabla se izvede test na 20 led diodah, ki traja nekaj sekund in med katerim se zapovrstjo prižgejo vse lučke.

9.3.2 Prvo črpanje

Črpalka bo samodejno v načinu **AUTO** in nastavljena na **ON**.

Lahko pride do treh situacij:

- 1) Tok je prisoten, vendar pri nizkem tlaku: prekine črpanje in začne z normalnim delovanjem.
- 2) Tlak je prisoten, vendar ni toka: po 10 sek. Se bo črpalka ugasnila.
- 3) Ni toka in ni tlaka: črpalka se bo ugasnila, javila se bo napaka za delovanje na suho, po ca. 3 minutah se bo prižgala rdeča lučka SET-ALARM. Odstranite vzrok in ponastavite alarm, glej 9.2.3.

9.4 Normalno delovanje z izklopljenim CUT-OUT (tovarniško)

Če je cut-out izklopljen, se bo dogajalo naslednje:

- Črpalka se zažene, če je tok ali če ni tlaka, če je tlak nižji od nivoja CUT IN (v 10 ms).
- Črpalka se ustavi, če obstaja tlak, tok pa ni stalen za 10 s.

Lučka CUT OUT bo med normalnim delovanjem ugasnjena. Za spremembe nastavitvev glej 9.1.1.B.

9.5 Normalno delovanje z vklopljenim CUT-OUT

Če je cut-out vklopljen, se bo dogajalo naslednje:

- Črpalka se zažene, če je tlak nižji od tlaka nivoja CUT IN.
- Črpalka se ustavi, če je tlak višji od tlaka nivoja CUT OUT.

Lučka CUT OUT bo med normalnim delovanjem prižgana. Za spremembe nastavitvev glej 9.1.1.B.

10. VARNOSTNI UKREPI

NEVARNOST ZMRZOVANJA: če črpalka ostane v mirovanju pri temperaturi, ki je nižja od 0°C, je treba preveriti, da ni ostankov vode, ki bi lahko, če bi zmrznila, poškodovala plastične delce.

Če se je črpalka uporabljala s snovmi, ki se rade posedajo ali s klorirano vodo, jo po uporabi splahnite z močnim vodnim curkom, da se ne bi naredila prevleka, ki bi poslabšala značilnosti črpalke.

11. ČIŠČENJE IN VZDRŽEVANJE

Med normalnim delovanjem električna črpalka ne potrebuje vzdrževanja. Celotno vzdrževanje in popravila se lahko izvaja le po izklopu črpalke iz napajalnega omrežja. Ko ponovno zaženete črpalko preverite, da je bila nameščena tako, da ne predstavlja nevarnosti za ljudi in stvari.

11.1 Čiščenje sesalnega filtra (SI.3)

- Izklopite črpalko iz napajalnega omrežja.
- Izpraznite črpalko tako da odprete odvodni ventil (6) po tem, ko ste nad črpalko zapri zaporne ventile (če prisotni).
- Odvijte pokrov komore filtra, z rokami ali z ustreznim priloženim orodjem.
- Od zgoraj odstranite filter.
- Splahnite kozarec pod tekočo vodo in filter očistite z mehko ščetko.
- Ponovno namestite filter tako da postopek izvedete v obratnem vrstnem redu.

11.2 Čiščenje nepovratnega ventila (SI.4)

- Izklopite črpalko iz napajalnega omrežja.
- Odstranite pokrov nepovratnega ventila (5) s priloženim orodjem.
- Odstranite varnostni ventil nepovratnega ventila in očistite morebitno nečistočo.
- Sestavite dele v obratnem vrstnem redu kot pri razstavljanju.

12. ISKANJE OKVARE



Pred vyhľadávaním porúch vždy odpojte prírodný kábel od elektrickej siete (vytiahnite vidlicu prírodného kábla zo zásuvky). Ak zistíte nejaké poškodenie čerpadla alebo prírodného kábla, obráťte sa s opravou na výrobcu alebo na jeho autorizovaný servis alebo osobu s rovnakou kvalifikáciou, aby bolo zamedzené akémukoľvek nebezpečenstvu.

TEŽAVE	PREVERJANJE (možni vzroki)	REŠITVE
1. Motor se ne zažene in ne proizvaja hrupa.	A. Preverite električne povezave. B. Preverite, če je motor pod napetostjo. C. Preverite zaščitne varovalke. D. Možen vpliv termične zaščite.	C. Če so pregorele, jih zamenjajte. D. Počakajte ca. 20 min, da se motor ohladi. Ugotovite vzrok in ga odpravite. Pozor: morebitna takojšnja ponovitev okvare pomeni, da je motor prišel v kratek stik.
2. Motor se ne zažene vendar proizvaja hrup.	A. Preverite, da omrežna napetost ustreza napetosti na tablici. B. Poiščite morebitne ovire na črpalki ali motorju. C. Preverite, da gred ni blokirana. D. Preverite stanje kondenzatorja.	B. Odstranite ovire. C. S priloženo napravo odvijte pokrovček in z izvijačem sprostite gred. D. Zamenjajte kondenzator.
3. Motor ima težave pri vrtenju.	A. Preverite, če je napajalna napetost zadostna. B. Preverite, če med stalnimi in premikajočimi se delci prihaja do praskanja.	B. Odstranite vzrok za praskanje.
4. Črpalka ne pretaka.	A. Črpalka ni bila ustrezno nastavljena. B. Sesalna cev ima premajhen premer. C. Nepovratni ventil ali filtri so zamašeni.	A. Črpalko napolnite z vodo in jo namestite, pri čemer pazite, da s pomočjo izpušnega pokrova izpustite zrak. B. Cev zamenjajte z drugo, ki ima večji premer. C. Očistite filter in po potrebi tudi nepovratni ventil
5. Črpalka se ne prilega.	A. Vsrkavanje zraka skozi sesalno cev. B. Zaradi negativnega naklona cevi nastajajo zračni žepi.	A. Odstranite napako tako da preverite tesnjenje priključkov in sesalni cevovod ter ponovno poskusite namestiti črpalko. B. Spremenite naklon sesalne cevi.
6. Črpalka izloča nezadostno količino.	A. Sesalna cev ima oviro. B. Rotor je obrabljen ali oviran. C. Sesalna cev ima premajhen premer.	A. Očistite sesalno cev. B. Odstranite oviro in zamenjajte obrabljene delce. C. Cev zamenjajte z drugo, ki ima večji premer.

7. Cev vibrira in med delovanjem proizvaja hrup.	A. Preverite, da sta črpalka in cev dobro pritrjeni. B. Črpalka je preobremenjena, količina vode je večja od njene zmogljivosti črpanja. C. Črpalka deluje preko podatkov na tablici.	A. Skrbneje zatisnite dele, ki so popustili. B. Zmanjšajte višino sesanja ali preverite izgube vnosa. C. Morda bi bilo ustrezno zmanjšati nosilnost vnosa.
--	---	--

13. GARANCIJA



Vsi nepooblaščen posegi proizvajalca razbremenjujejo vsakršne odgovornosti. Vsi rezervni deli, ki se uporabljajo pri popravilu morajo biti originalni in vsi pripomočki morajo biti pooblaščen s strani proizvajalca, tako da slednji lahko zagotovi maksimalno varnost strojev in sistemov, na katere se ti lahko nameščajo.

Ta izdelek krije pravno jamstvo (v Evropski skupnosti 24 mesecev od dneva nakupa) za vse napake zaradi proizvodnih napak ali napak na uporabljenem materialu.

Izdelek pod garancijo bo lahko zamenjan z drugim, brezhibno delujočim, ali brezplačno popravljen, če za to obstajajo sledeči pogoji:

- izdelek je bil rabljen ustrezno in v skladu z navodili ter ni prišlo do poskusa popravila s strani kupca ali tretjih oseb.
- izdelek je bil oddan na prodajnem mestu vključno z dokazilom o nakupu (račun ali blagajniški izpis) in krajšim opisom težave.

Rotor in delci, ki so podvrženi obrabi, niso vključeni v garancijo. Poseg pod garancijo le te ne podaljšuje.

TREGUESI I LËNDËS

1. ZBATIME	186
2. LËNGJE TË POMPUESHME	187
3. TË DHËNA TEKNIKE E KUFIZIME NË PËRDORIM	187
4. ADMINISTRIMI	187
4.1 Magazinimi	187
4.2 Transporti.....	187
4.3 Pësja e përmasat	187
5. PARALAJMËRIME	187
6. INSTALIMI	188
7. LIDHJA ELEKTRIKE	188
8. NDEZJA	188
9. NDËRFAQJA ELEKTRONIKE E ADMINISTRIMIT.....	192
9.1 Vështrim i përgjithshëm për karakteristikat.....	189
9.1.1 Përshkrimi i ekranit:	189
9.2 Përshkrimi i funksioneve	191
9.2.1 Pompa ON/OFF (AUTO MODE, MANUAL MODE).....	191
9.2.2 Faza e mbushjes	191
9.2.3 Resetimi i Alarmeve.....	191
9.2.4 Tregimi i tensionit ON/OFF	191
9.2.5 Tregimi i pompës On/off.....	191
9.2.6 Tregimi i Alarmeve	191
9.2.7 Mbrojtja kundër Funksionimit në të thatë (Dry running protection)	191
9.2.8 Mbrojtja kundër rrjedhjeve (ANTI-LEAKAGE).....	191
9.2.9 Max pump on	191
9.2.10 Alarmi sensori i trysnisë	191
9.3 Ndezja e parë	191
9.3.1 Test mbi Led	191
9.3.2 Mbushja e parë	191
9.4 Veprime normale me CUT-OUT të çaktivizuar (çaktivizim në fabrikë).....	192
9.5 Veprimet normale me CUT-OUT të aktivizuar.....	192
10. MASA PARAPRAKE	192
11. MIRËMBAJTJA E PASTRIMI	192
11.1 Pastrimi i rrjetës së thithjes (Fig.3)	192
11.2 Pastrimi i NRV (Fig.4).....	192
12. KËRKIMI I DEFEKTEVE	192
13. GARANCIA	193

PARALAJMËRIME



Para se të vijoni me instalimin lexoni me vëmendje të gjithë dokumentacionin.



Para çdo ndërhyrjeje, hiqeni spinën. Shmangeni në mënyrën më absolute funksionimin në të thatë.



Mbrojeni elektropompën nga moti i keq.



Mbrojtja nga mbingarkesa Pompa është e pajisur me një siguresë motori. Në rast të mbinxehjes së motorit, siguresa e motorit e fik pompën automatikisht. Koha e ftohjes është rreth 15-20 min. pas kësaj pompa rindizet automatikisht. Pas ndërhyrjes së siguresës së motorit është absolutisht e nevojshme të kërkohet shkaku e të eliminohet. Konsultoni Kërkimin e Defekteve.

1. ZBATIME

Pompa centrifuge vetëmbushëse me hedhje me kapacitet të shkëlqyer thithjeje edhe në prani të ujit të gazuar. Veçanërisht i këshilluar për ushqimin ujqor dhe për presurizimin e shtëpive të fshatit. Të përshtatshme për bujqësi me përmasa të vogla në kopshtari dhe lulishte, emergjenca shtëpiake dhe punë hobi në përgjithësi. Falë formës kompakte e të përdorshme gjejnë edhe zbatime të posaçme si pompa portative për raste emergjence si thithja e ujit nga serbatorë ose lumenj.

Në rast produkti të pajisur me Wi-fi, të këshillohet udhëzuesi i shpejtë.



Këto pompa nuk mund të përdoren në pishina, pellgje, rezervuarë ku ka njerëz, dhe/ose për pompimin e hidrokarbureve (benzinë, naftë, vajra të djegshme, solventë, etj.) sipas normave ligjore kundër aksidenteve që janë në fuqi në këtë fushë. Para se t'i rivendosni, do të ishte rregull i mirë të parashikonit një fazë pastrimi. Shikoni kapitullin "Mirëmbajtja e Pastrimi".

2. LËNGJE TË POMPUESHME

I pastër, pa trupa të ngurta ose abrazivë, jo agresiv.

Ujëra të freskëta	•
Ujë shiu (I filtruar)	•
Ujëra të bardha të shkarkimit	○
Ujëra të papastra	○
Ujë shatërvani (I filtruar)	•
Ujë lumi ose liqeni (I filtruar)	•
Ujë i pijshëm	•

Tabelën 1

- I përshtatshëm
- I papërshtatshëm

3. TË DHËNA TEKNIKE E KUFIZIME NË PËRDORIM

- **Tensioni i ushqimit: 220-240V**, shikoni targën e të dhënave elektrike.
- **Siguresa të vonuara të linjës (versioni 220-240V):** vlera indikative (Amperë).
- **Temperatura e magazinimit: -10°C +40°C.**

Modello	Siguresa të linjës 220-240V 50Hz
P1= 850	4
P1= 1100	6
P1= 640	4
P1= 920	6

Tabelën 2

	Modeli	P1=850	P1=1100	P1=640	P1=920
Të dhëna elektrike	P1 Fuqia e thithur Nominale [W]	850	1100	640	920
	P2 [W]	600	750	380	560
	Voltazhi i rrjetit [V]	1~220-240 AC			
	Frekuenca e rrjetit [Hz]	50			
	Korrenti [A]	3.88	4.58	3.10	4.20
	Kondensatori [μ F]	12.5	16	16	12.5
	Kondensatori [Vc]	450			
Të dhëna hidraulike	Prurja maksimale [l/h]	3180	3750	3600	4800
	Rezistenca maksimale [m]	43	45	32	40
	Rezistenca maksimale [bar]	4.3	4.5	3.2	4.0
	Trysnia maksimale [bar]	6			
	Thellësia maksimale e thithjes [m/min]	8m / <3min		6m / < 3min	
Fusha e përdorimit	Gjatësia e Kabllos së ushqimit [m]	1.5			
	Lloji i kablllos	H07 RNF			
	Shkalla e mbrojtjes së motorit	IP X4			
	Klasa e izolimit	F			
	Fusha e temperaturës së lëngut [°C] sipas EN 60335-2-41 për përdorim shtëpiak	0 °C / +35 °C			
	Përmasa e pjesëzave maksimumi	Ujë i pastër			
	Maks. Temperatura e mjedisit [°C]	+40 °C			
Pesha	DNM GAS	1" M			
	Pesha Neto/Bruto rreth [kg]	9.6/11.8	10.3/12.5	10.1/12.1	10.9/12.9

Tabelën 3



Pompa nuk mund ta mbajë peshën e tubacioneve, të cilat duhet të mbahen ndryshe.

4. ADMINISTRIMI

4.1 Magazinimi

Të gjitha pompat duhet të magazinohen në një vend të mbuluar, të thatë e me lagështirë ajri mundësisht konstante, pa dridhje e pluhura. Jepen në ambalazhin e tyre origjinal ku duhet të rrinë deri në çastin e instalimit.

4.2 Transporti

Shmangini produktet nga goditjet e përplasjet e kota.

4.3 Pesha e përmasat

Targa ngjitëse e vendosur mbi ambalazh tregon peshën totale të elektropompës dhe përmasat e saj.

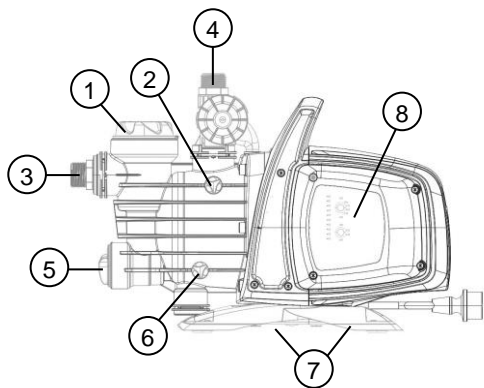
5. PARALAJMËRIME



Pompat kurrë nuk duhet të transportohen, të ngrihen ose të futen në punë kur gjenden pezull duke përdorur kabllon e ushqimit, duhet të përdorni dorezën e posaçme.

- Pompa nuk duhet të futet kurrë në punë në të thatë.
- Këshillohet të hapen/mbyllen tapat e shfryrjes/shkarkimit (2 dhe 6) pa ushtruar forcë të tepruar.

6. INSTALIMI



1. Parafiltër
2. Tapa e shfryrjes
3. Lidhja e thithjes e drejtueshme
4. Lidhja e daljes e
5. Valvula e moskthimit e integruar
6. Tapa e shkarkimit
7. Këmbëza prej gome kundër dridhjeve
8. Ndërfaqja elektronike e administrimit

Elektropompa duhet të instalohet në një vend të mbrojtur nga moti i keq dhe me një temperaturë mjedisore jo më të lartë se 40°C.

Pompa është e pajisur me këmbëza kundër dridhjes, por në rast instalimesh fikse mund të hiqen e të parashikohet një mbërthim në bazën e mbështetjes (7).

Mos lejoni që tubacionet t'u transmetojnë sforcime të tepërta grykëve të pompës (3) e (4), për të mos krijuar deformime ose çarje.

Është gjithnjë rregull i mirë që pompa të vendoset sa më afër që të jetë e mundur me lëngun që duhet pompuar.

Pompa duhet të instalohet ekskluzivisht në pozicion horizontal.

Tubacionet nuk duhet të jenë kurrë me diametër të brendshëm më të vogël se ai i grykëve të elektropompës e në thithje, pompa është e pajisur me filtër (1) e valvul Moskthimi (NRV) (5).

Për thellësi thithjeje përtej katër metrave ose me kalime të gjata horizontale, këshillohet përdorimi i një tubi thithës me diametër më të madh se sa ai i grykës thithëse të elektropompës. Për të shmangur formimin e xhepave të ajrit në tubin e thithjes, parashikoni një pjerrësi të lehtë pozitive të tubit të thithjes drejt elektropompës. Fig.2

Në qoftë se tubacioni thithës është prej gome ose me material fleksibël, kontrolloni gjithnjë që të jetë i llojit të përfurcuar, rezistent ndaj zbrazëtisë, për të shmangur ngushtimet për efekt të thithjes.

Në rast instalimi fiks, rekomandohet të montoni një valvul mbyllëse si në anën e thithjes ashtu edhe në anën e daljes së lëngut. Kjo mundëson mbylljen e linjës në fillim e/o në fund të pompës, çka është e dobishme për të gjitha ndërhyrjet e mirëmbajtjes dhe të pastrimit, ose për periudha kur pompa nuk përdoret.

Pompa është e pajisur me hyrje rrotulluese për të lehtësuar instalimin. (3) e (4).

Në rastin e tubave fleksibël, nëse është e nevojshme, përdorni një lakore fig.1 e pajimet e kopshtarisë të përbërë nga tubacione me PE e pajime rakordesh me hundëz, që nuk jepen por mund të blihen veçmas.

Në prani të papastërtive me përmasa shumë të vogla këshillohet të përdorni, përveç filtrit të integruar (1), një filtër në hyrje të pompës së montuar mbi tubin e thithjes.

- Mos i bëni motorit ndeze/orë të tepërta, këshillohet rreptësisht të mos tejkalohen 20 ndeze/orë.



Diametri i tubit thithës duhet të jetë më i madh ose baras me diametrin e grykës së elektropompës, shikoni Tabelën 3.

7. LIDHJA ELEKTRIKE



Sigurohuni që tensioni i rrejtët të përkojë më atë të targës së motorit për t'u ushqyer e që të jetë e mundur të bëhet një lidhje e mirë tokësore. **Respektoni udhëzimet e shkruara në targën teknike e në këtë manual tabela 3.**

Gjatësia e kablos së ushqimit që gjendet mbi pompë e kufizon distancën e instalimit; në rast se keni nevojë për një zgjatuese, sigurohuni që të jetë e të njëjtit lloj (p.sh. H05 RN-F o H07 RN-F sipas instalimit) shikoni tab.3.

8. NDEZJA



Mos e ndizni pompën pa e mbushur më parë tërësisht me lëng, rreth 4 litra, derisa të derdhet nga tapa e shkarkimit të ajrit (2).

Në rast se mbaron burimi uhor, hiqeni menjëherë spinën, duke e fikur pompën. Shmangni funksionimin në të thatë.

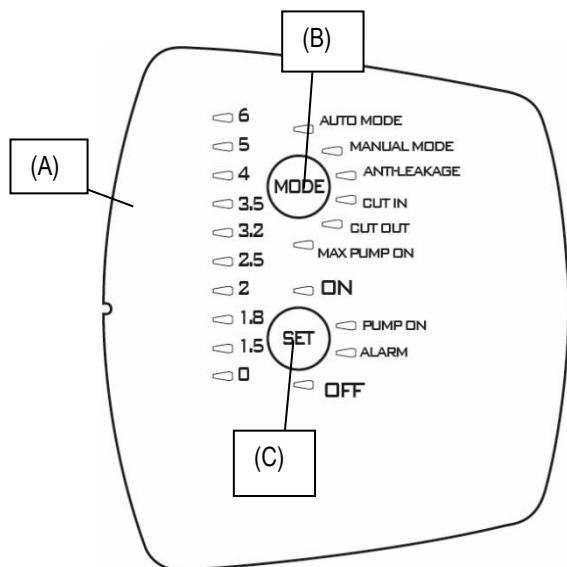
1. Para se ta ndizni, kontrolloni nëse pompa është rregullisht e mbushur, duke bërë mbushjen e saj të plotë, me ujë të pastër, nëpërmjet vrimës së posaçme, pasi ta keni hequr tapën e mbushjes së filtrit transparent (1), me duar ose me mjetin e posaçëm të dhënë si pajisje. Hapni ndërkohë edhe tapën e shfryrjes (2) për të nxjerrë ajrin. Ky veprim është themelor për funksionimin e përkryer të pompës, i domosdoshëm në mënyrë që guarnicioni hidroizolues të rezultojë i lubrifikuar mirë. **Funksionimi në të thatë i shkakton dëme të pariparueshme guarnicionit hidroizolues.**
2. Tapa e mbushjes duhet të rivendoset më pas me kujdes derisa të mos shkojë më tej (1), sikurse tapa shfryrëse (2).
3. Futeni spinën e kablos së ushqimit në një prizë korrenti me 220-240V. **Kujdes!** Motori i pompës do të ndizet menjëherë, uji do të fillojë të dalë pas një kohe maksimale prej 3 minutash, që do të varet nga thellësia e nivelit të ujit, në pus ose në cisternë.
4. Pompa do të vazhdojë të funksionojë e të nxjerrë ujë. **Kujdes!** Shmangni funksionimin në të thatë.
5. Për ta fikur pompën hiqeni spinën e kablos së ushqimit.



Në rast problemesh me mbushjen fillestare të pompës, përsërisni manovrimin derisa i gjithë ajri në thithje të zhduket.

9. NDËRFAQJA ELEKTRONIKE E ADMINISTRIMIT

9.1 Vështrim i përgjithshëm për karakteristikat



Përshkrimi	Parametrat
Tensioni, frekuenca e skedës	1x220-240V, 50/60 Hz
Tregimi i tensionit on/off	●
Tregimi i motorit on/off	●
Tregimi i Alarmeve	●
Tregimi i Trysnisë	●
Tregimi i Mënyrës	●
Mënyra Automatike (Auto Mode)	●
Mënyra me dorë (Manual Mode)	○
Mbrojtja kundër Funkcionimit në të thatë	●
Mbrojtja kundër rrjedhjeve	○
Mbrojtja Max pump on	○ (30 minuta)
Trysnia Cut-in	○ E ndryshueshme (1,5 – 3,0 bar)
Trysnia Cut-out	○ (Cut-in + 1 bar)
Vetëmbushje	●
Seleksionimi i butonave	●

● = Fiks; ○ = I seleksionueshëm

9.1.1 PËRSHKRIMI I EKRANIT:

(A) Tregues trysnie me led

Përdoren 10 Led si tregues i trysnisë nga 0 deri në 6 bar. Kur në sistem trysnia ndryshon, dritat led do të ndizen ose do të fiken si pasojë.

Funksioni	Configurazione display	Set	Reset Alarm
Auto Mode		ON: Aktivizon OFF: Çaktivizon	
Manual mode		ON: Aktivizon OFF: Çaktivizon	
Anti-leakage		ON: E aktivizuar OFF: E çaktivizuar	Shtypni SET
Cut in		Rrit/UI	
Cut out		Rrit/UI OFF: e çaktivizuar	
Max pump on		ON: e aktivizuar OFF: e çaktivizuar	Shtypni SET

(B) Butoni i seleksionimit MODE (Mënyra)

Mënyrat e seleksionueshme:

- | | |
|-------------------|-----------------|
| 1) AUTO_MODE; | 4) CUT_IN; |
| 2) MANUAL_MODE; | 5) CUT_OUT; |
| 3) ANTI LEACKAGE; | 6) MAX_PUMP_ON; |

Për ta zhbllokuar zgjedhjen e funksioneve tek "MODE" shtypni butonin "MODE" për 5 sekonda.

Shtypni "MODE" për të rreshtuar mënyrat e ndryshme të ndryshimit (AUTO_MODE ose MANUAL_MODE) ose parametra për të ndryshuar (CUT IN e CUT OUT) ose për të aktivizuar disa funksionalitete (ANTI-LEAKAGE e MAX PUMP ON). Gjatë rreshtimit drita led e funksionit të zgjedhur do të pulsojë. Pasi të ktheheni në AUTO_MODE funksionet aktive do të theksohen me Led përkatëse të ndezur fikse. Shikoni paragrafin 2 (Përshkrimi i funksioneve).

Treguesit për "MODE"

AUTO MODE: Pompa do të funksionojë në mënyrë automatike shikoni 9.2.1

MANUAL MODE: pompa funksionon me mënyrën me dorë shikoni 9.2.1, është përdoruesi që vendos kur ta ndezë e ta fikë duke vepruar mbi butonin "SET" (Cilësimi). SET-ON e ndezur SET-OFF e fikur.

CUT-IN: caktimi i trysnisë (gjithnjë i aktivizuar) trysnia minimale poshtë të cilës pompa aktivizohet, mund të caktohet midis 1.5 e 3.0 bar, nga fabrika 1.8 bar; pompa aktivizohet edhe nëse fluksi është më i ulët se një vlerë minimale prej 1.5 l/min sipas caktimit (parametrim) në fabrikë.

CUT-OUT: caktimi i trysnisë (i çaktivizuar) trysni mbi të cilën pompa fiket, në fabrikë është caktuar në "CUT-IN" + 1 Led, por mund të rritet deri në 3.5 bar (50.8 psi). Për ta aktivizuar duke seleksionuar funksionin duke shtypur "MODE" derisa led korresponduese me CUT-OUT të pulsojë, pastaj:

- 1) shtypni SET **për 10 sekonda** për të zhbllokuar funksionin (në këtë fazë do të jenë ndezur dritat LED mbi vlerat e presionit),
- 2) shtypni SET për të përzgjedhur vlerën e dëshiruar,
- 3) për të çaktivizuar funksionin, vendoseni vlerën e cut-out mbi 0 [bar ose psi].
- 4) dilni nga parametrat duke shtypur MODE.

SHËNIM: vlera e CUT-OUT mund të ndryshohet VETËM pasi të keni zhbllokuar funksionin duke shtypur butonin SET për 10 sekonda. Pasi të ketë kaluar 1 sekondë dhe të mos jetë shtypur asnjë buton, funksioni do të bllokohet përsëri.

ANTI-LEAKAGE: mbrojtja kundër rrjedhjeve Funksioni mund të aktivizohet ose çaktivizohet. Caktimi fillestar në fabrikë është i çaktivizuar. Kur është i aktivizuar, nëse verifikohet situata kur pompa ndizet më shumë se 6 herë në 2 minuta, kjo do të ndalohet e do të tregohet gabimi nëpërmjet LED të kuqe pulsuese ngadalë tek "ALARM".

Për ta aktivizuar, seleksiononi funksionin duke shtypur "MODE" derisa led korresponduese të pulsojë, pastaj shtypni SET derisa led "ON" të ndizet. Për ta çaktivizuar shtypni "SET" derisa drita e ndezur të tregojë OFF.

Pasi të eliminohet shkak, resetoni alarmin, nëse është ende i pranishëm, shikoni 9.2.3.

MAX PUMP ON: periudha maksimale e funksionimit. Funksioni mund të aktivizohet ose të çaktivizohet. Caktimi fillestar në fabrikë është i çaktivizuar. Kur është i aktivizuar, nëse verifikohet kushti që pompa funksionon për më shumë se 30 minuta, kjo do të ndalohet, e nuk do të shfaqet asnjë tregues gabimi.

Ky funksion përdoret për ta mbrojtur instalimin në rast harrese aksidentale të rubinetit hapur, në rast çarjeje të një tubacioni ose në zbatime për ujitje.

Për ta aktivizuar seleksiononi funksionin duke shtypur "MODE" derisa led korresponduese me funksionin MAX PUMP ON të rezultojë e ndezur, pastaj shtypni SET derisa led "ON" të rezultojë e ndezur. Për ta çaktivizuar shtypni "SET" derisa drita e ndezur do të tregojë OFF.

(C) Butoni i seleksionimit SET

Mënyrat e seleksionueshme:

- 1) Reseton Alarmet;
- 2) Aktivizon/çaktivizon në MODE (MAX_PUMP_ON, ANTILEACKAGE)
- 3) Rrit parametrat në MODE (CUT_IN; CUT_OUT);
- 4) Motori ON/OFF në MANUAL MODE;
- 5) Pompa e aktivizuar/pompa në standby në AUTO MODE

Shtypni "SET" për të ndryshuar parametrat, në rast se led është e ndezur tek MODE-CUT IN ose MODE-CUT OUT, vlera do të tregohet tek vija me led treguese të trysnisë. Duke shtypur "SET" vlera do të rritet. Pasi ta keni cilësuar vlerën e dëshiruar dilni nga ndryshimi duke shtypur "MODE" dhe duke e çuar led tek MODE-AUTO e SET "ON" i aktivizuar.

Shtypni SET edhe për të aktivizuar/çaktivizuar funksionet Anti-leakage e Max pump On. Pasi ta keni seleksionuar funksionin me butonin "MODE", aktivizojeni duke seleksionuar SET-ON, për ta çaktivizuar seleksiononi SET-OFF.

Në mënyrën "MANUAL" butoni SET do të shërbejë për të ndezur ose për të fikur pompën, led e ndezur tek "On" ose "OFF".

Në mënyrën automatike AUTO-MODE do të shërbejë për të aktivizuar "ON" ose për ta vënë në standby "OFF".

PUMP ON: tregues që përkon me motorin funksionues.

9.2 Përshkrimi i funksioneve

9.2.1 POMPA ON/OFF (AUTO MODE, MANUAL MODE)

Cut out i çaktivizuar → me futjen e spinës, pas testit të led pompa ndizet për 10 sekonda.

Cut out i aktivizuar → Pasi është futur spina, bëhet testi mbi led për 3 sekondat e para (ndeza e led 0 tregon gjithnjë praninë e tensionit) e cilësohet me default mënyra “**AUTO MODE**” me ndezjen e llambës së kontrollit “**ON**”. Pompa do të fillojë të funksionojë nëse trysnia do të jetë më e ulët se vlera e CUT –IN e fluksi më i vogël se fluksi minimal i cut-in. Pompa do të rrijë në funksionim derisa trysnia do të jetë më e vogël se vlera e CUT-OUT, e cila pasi arrihet, do të fiket pavarësisht nga fluksi.

Përkundrazi, nëse seleksionohet mënyra “**MANUAL MODE**”, duke shtypur një herë butonin “**MODE**”, pompa do të ndizet nëse Led “**ON**” do të jetë e ndezur, përndryshe duke shtypur “**SET**”, pompa do të fiket e do të ndizet led “**OFF**”.

Kur pompa do të fillojë të funksionojë, do të hyjë në mënyrën MBUSHJE.

Shënim: Sigurohuni nëse i keni ndjekur udhëzimet për instalimin e nëse pompa është mbushur plotësisht me ujë.

9.2.2 FAZA E MBUSHJES

Kur pompa fillon të funksionojë, do të hyjë në mënyrën e mbushjes, gjatë kësaj faze në qoftë se nuk gjen fluks e trysni do t'ambajë motorin ndezur për 3 minuta, pas kësaj do të hyjë në alarmin e funksionimit në të thatë. Në qoftë se në këtë interval kohor, do të gjejë fluks ose trysni, do të jetë bërë mbushja dhe pompa do të funksionojë normalisht.

9.2.3 RESETIMI I ALARMEVE

Kur paraqitet një alarm, do të ndizet llamba e kuqe e kontrollit tek “**ALARM**”. Alarmi resetohet duke shtypur një herë butonin “**SET**”, nëse shkaku që e ka gjeneruar është eliminuar, vijohet me funksionimin normal, përndryshe pompa do të futet në alarm.

9.2.4 TREGIMI I TENSIONIT ON/OFF

Nëse ka tension Led i trysnisë 0 tek vija me Led do të jetë e ndezur. Nëse nuk ka tension, kjo Led do të jetë e fikur.

Shënim: Për periudha të gjata mosaktiviteti këshillohet ta hiqni tensionin duke hequr spinën.

9.2.5 TREGIMI I POMPËS ON/OFF

Kur motori është në funksionim, një dritë blu tek “**PUMP ON**” duhet të ndizet për të treguar funksionimin. Kur motori ndalon kjo Led do të fiket.

9.2.6 TREGIMI I ALARMEVE

Një dritë e kuqe fikse ose pulsuese tek “**ALARM**” aktivizohet kur alarmi është i pranishëm.

Funksionimi në të thatë (Dry-running): drita e kuqe fikse

Rrjedhje (Leakage): pulsimi i ngadalë

Max Pump ON (pompa funksionon për më shumë se 30 minuta): 2 pulsime të shpejta të ndara nga një pauzë më e gjatë.

Shtypni “**SET**” për t'i resetuar alarmet.

9.2.7 MBROJTJA KUNDËR FUNKSIONIMIT NË TË THATË (DRY RUNNING PROTECTION)

Nëse pompa po funksionon në të thatë, pas disa sekondash (40 sek.) ndalon e del një tregues gabimi me llambën me dritë të kuqe fikse tek “**ALARM**”. Pas një periudhe të parë prej 30 min kur pompa është në gjendje OFF bëhet një tentativë e re për ta rinisur me kohëgjatësi prej 5 min. Nëse kjo nuk do të ketë sukses, një tentativë e re do të bëhet çdo 30 min, deri në një maksimum prej 48 herësh. Në qoftë se të gjitha këto tentativa dështojnë do të bëhet një çdo 24 orë.

Mekanizmi del automatikisht nga alarmi i Funksionimit në të thatë nëse vjen fluks e/o trysni.

Nëse alarmi resetohet, shikoni 9.2.3, një tentativë e re do të bëhet për 40 sek.

Eliminoni shkaqet dhe resetoni alarmin, shikoni 9.2.3.

9.2.8 MBROJTJA KUNDËR RRJEDHJEVE (ANTI-LEAKAGE).

Funksioni mund të aktivizohet ose çaktivizohet, në fabrikë caktohet tek funksioni i çaktivizuar. Kur është i aktivizuar, nëse verifikohet kushti kur pompa ndizet më shumë se 6 herë në 2 minuta, kjo do të ndalohet e do të tregohet gabimi nëpërmjet LED të kuqe pulsuese ngadalë tek “**ALARM**”.

Eliminoni shkaqet dhe resetoni alarmin, shikoni 2.3.

Për procedurën e aktivizimit shikoni Anti-leakage.

9.2.9 MAX PUMP ON

Periudha maksimale e funksionimit. Funksioni mund të aktivizohet ose të çaktivizohet. Ai i caktuar fillimisht në fabrikë është i çaktivizuar. Kur është i aktivizuar, nëse verifikohet kushti kur pompa funksionon për më shumë se 30 minuta, kjo do të ndalojë e do të shfaqet një pulsime tek ALARM.

Ky funksion përdoret për ta mbrojtur instalimin në rast harrese aksidentale të rubinetit hapur, në rast çarjeje të një tubacioni ose në zbatime për ujë.

9.2.10 ALARMI SENSORI I TRYSNISË

Mekanizmi hyn në alarm të sensorit të trysnisë nëse vlera e trysnisë është jashtë luhatjes operative (0-15 bar). Pompa fiket, gabimi do të resetohet porsa kushtet e trysnisë do të rihyjnë në vlerat e luhatjes.

9.3 Ndezja e parë

9.3.1 TEST MBI LED

Në ndezjen e parë ose gjithsesi pasi të jetë futur spina e korrentit, bëhet Testi mbi 20 LED, prej disa sekondash gjatë të cilit të gjitha Led do të ndizen në sekuencë.

9.3.2 MBUSHJA E PARË

Pompa do të jetë automatikisht në mënyrën automatike **AUTO** mode dhe e cilësuar tek **ON**.

Mund të ketë tre sjellje:

- 1) Fluksi i pranishëm por trysni e ulët: del nga faza e mbushjes dhe fillon funksionimi normal.

- 2) Trysni por jo fluks: pas 10 sek. gjatë të cilave mbetet ky kusht, pompa do të fiket.
- 3) As fluks e as trysni: pompa do të fiket e do të shfaqet një gabim Funkionimi në të thatë, pas rreth 3 minutash, i sinjalizuar me led të kuqe të ndezur tek SET-ALARM. Eliminoni shkaku dhe resetoni alarmin, shikoni 9.2.3.

9.4 Veprime normale me CUT-OUT të çaktivizuar (çaktimi në fabrikë)

Cut-out i çaktivizuar do të thotë se kemi sjelljet e mëposhtme:

- Pompa aktivizohet nëse ka fluks ose në mungesë të trysnisë, trysni më e vogël se CUT IN (në 10 ms).
- pompa ndalon në qoftë se qëndron kushti i trysnisë së pranishme por Fluksi mungon në mënyrë të vazhdueshme për 10 s.

Led CUT OUT do të shfaqet e fikur gjatë funksionimit normal. Për ndryshimin e parametrave shikoni 9.1.1.B.

9.5 Veprimet normale me CUT-OUT të aktivizuar

Cut-out i çaktivizuar do të thotë se kemi sjelljet e mëposhtme:

- Pompa aktivizohet nëse ka fluks ose në mungesë të trysnisë, trysni më e vogël se CUT IN (në 10 ms).
- pompa ndalon në qoftë se qëndron kushti i trysnisë së pranishme por Fluksi mungon në mënyrë të vazhdueshme për 10 s.

Led CUT OUT do të shfaqet e fikur gjatë funksionimit normal. Për ndryshimin e parametrave shikoni 9.1.1.B.

10. MASA PARAPRAKE

RREZIK NGRIRJEJE: kur pompa mbetet e pandezur në temperaturë më të ulët se 0°C, duhet të siguroheni që të mos ketë mbetje ujore, të cilat duke ngrirë mund të krijojnë krisa në pjesët plastike.

Në qoftë se pompa është përdorur me lëndë që anojnë të depozitohen, ose me ujë të kloruar shpëlajeni pas përdorimit, me një hedhje uji të fuqishme në mënyrë që të shmangët formimi i depozitimeve ose i koreve që do t'i reduktonin karakteristikat e pompës.

11. MIRËMBAJTJA E PASTRIMI

Elektropompa gjatë funksionimit normal nuk kërkon asnjë lloj mirëmbajtjeje. Në çdo rast, të gjitha ndërhyrjet e riparimit dhe mirëmbajtjes duhet të kruhen vetëm pasi ta keni shkëputur pompën nga rrjeti i ushqimit me energji elektrike. Kur pompa ndizet sërish, sigurohuni që të jetë rimontuar sipas rregullave, për të mos rrezikuar sendet e njerëzit.

11.1 Pastrimi i rretës së thithjes (Fig.3)

- Shkëputeni ushqimin elektrik nga pompa.
- Bëni drenazhin e pompës, duke hapur tapën e shkarkimit (6), pasi t'i keni mbyllur më parë saraçineskat në fillim (nëse ka të tilla).
- Zhvidhosni kapakun e dhomës së filtrit, me duar ose me aksesoriin e posaçëm që jepet si pajisje.
- Nxirrni nga lart njësinë e filtrit.
- Shpëlajeni gotën në ujë të rrjedhshëm e pastroni filtrin me një furçë të butë.
- Rimontojeni filtrin duke kryer veprimet në të kundërt.

11.2 Pastrimi i NRV (Fig.4)

- Shkëputeni ushqimin elektrik nga pompa.
- Hiqeni tapën e NRV (5) me aksesoriin e dhënë si pajisje.
- Hiqeni valvulën e moskthimit NRV e pastrojini nga papastërtitë e mundshme.
- Montoni pjesët në drejtimin e kundërt të sekuencës së çmontimit.

12. KËRKIMI I DEFEKTEVE



Para se të filloni kërkimin e defekteve është nevojshme ta ndërprisni lidhjen elektrike të pompës (hiqeni spinën nga priza). Nëse kabloja e ushqimit ose pompa në çdo pjesë të saj elektrike është e dëmtuar, ndërhyrja e riparimit ose e zëvendësimit duhet të kryhet nga Ndërtuesi, ose nga shërbimi i tij i asistencës teknike, ose nga një person me kualifikimin e barsvlershëm në mënyrë që të parandalohet çdo rrezik.

VËSHITRËSI	VERIFIKIME (shkaqe të mundshme)	RREGULLIME
1. Motori nuk ndizet e nuk bën zhurmë.	A. Verifikoni lidhjet elektrike. B. Verifikoni nëse motori është në korrent. C. Verifikoni siguresat mbrojtëse. D. Ndërhyrje e mundshme e mbrojtjes termike.	C. Nëse janë djegur zëvendësojini. D. Prisni 20 min me qëllim që motori të ftohet. Verifikoni shkaku që e përcaktoi dhe eliminojeni. Shënim: përsëritja e mundshme e menjëhershme e defektit do të thotë se motori është në qark të shkurtër.
2. Motori nuk ndizet, por bën zhurmë.	A. Sigurohuni që tensioni i rrjetit të korrespondojë me atë të targës. B. Kërkoni bllokime të mundshme të pompës ose të motorit. C. Verifikoni nëse boshti është bllokuar. D. Verifikoni gjendjen e kondensatorit.	B. Hiqni bllokimet. C. Veproni me mjetin e pajisur për ta zhvidhosur kapakun e vogël e me një kaçavidë zhblokoni boshtin. D. Zëvendësoni kondensatorin.

SHQIP

3. Motori rrotullohet me vështirësi.	A. Sigurohuni që tensioni i ushqimit të jetë i mjaftueshëm. B. Verifikoni nëse ka rashinime midis pjesëve të lëvizshme dhe fikse.	B. Eliminoni shkaqet e rashinimit.
4. Pompa nuk nxjerr ujë.	A. Pompa nuk është mbushur në mënyrë korrekte. B. Tubi i thithjes me diametër të pamjaftueshëm. C. Valvula e moskthimit NRV ose filtri janë të bllokuar.	A. Mbusheni pompën me ujë, dhe bëni mbushjen, duke pasur kujdes që të nxirrni ajrin duke zhvidhosur tapën e shfryrjes. B. Zëvendësoni tubin me një tjetër me diametër më të madh. C. Pastrojeni filtrin e në rast se nuk është e mjaftueshme edhe valvulën NRV.
5. Pompa nuk mbushet.	A. Thithja e ajrit me anë të tubit të thithjes. B. Pjerrësia negative e tubit të thithjes favorizon formimin e xhepave të ajrit.	A. Eliminoni dukurinë duke kontrolluar guarnicionet e lidhjeve dhe tubacionet e thithjes, e përsëriteni veprimin e mbushjes. B. Korrigjoni pjerrësinë e tubit të thithjes.
6. Pompa nxjerr prurje të pamjaftueshme.	A. Tubi i thithjes është i bllokuar. B. Rotori është konsumuar ose bllokuar. C. Tubi i thithjes me diametër të pamjaftueshëm.	A. Pastrojeni tubin e thithjes. B. Hiqni bllokimet ose zëvendësojini pjesët e konsumuara. C. Zëvendësoni tubacionet me një diametër më të madh.
7. Pompa dridhet duke punuar me zhurmë.	A. Verifikoni nëse pompa dhe tubacionet janë të mbërthyer mirë. B. Pompa bën kavitacion, d.m.th. ka kërkesë më të madhe për ujë se sa ajo që arrin të pompojë. C. Pompa punon përtej të dhënave të targës.	A. Mbërthejini me kujdes më të madh pjesët e liruara. B. Uleni lartësinë e thithjes ose kontrolloni rrjedhjet në mbushje. C. Mund të jetë i dobishëm kufizimi i prurjes në dalje.

13. GARANCIA



Çdo ndryshim i paautorizuar paraprakisht, i heq ndërtuesit çdo lloj përgjegjësie. Të gjitha pjesët e këmbimit të përdorura për riparimet duhet të jenë origjinale e të gjithë aksesorët duhet të autorizohen nga ndërtuesi, në mënyrë që të garantohet siguria maksimale e makinave dhe e impianteve mbi të cilat këto mund të montohen.

Ky produkt mbulohet nga garancia ligjore (në Komunitetin Evropian për 24 muaj nga data e blerjes) përsa i përket të gjitha defekteve që i vishen problemeve të fabrikimit ose të materialit të përdorur.

Produkti në garanci, sipas dëshirës, mund të zëvendësohet me një tjetër në gjendje të përkryer funksionimi, ose të riparohet falas kur respektohen kushtet e mëposhtme:

- produkti është përdorur në mënyrë korrekte e në pajtim me udhëzimet e asnjë tentativë riparimi nuk është bërë nga blerësi ose nga të tretë.
- produkti është dorëzuar në pikëshitjen ku është blerë, duke bashkëlidhur dokumentin që vërteton blerjen (faturën ose kuponin tatimor) e një përshkrim të shkurtër të problemit të hasur.

Rotori e pjesët që konsumohen, nuk hyjnë në garanci. Ndërhyrja në garanci nuk përfshin në asnjë rast periudhën fillestare.

SADRŽAJ

1. PRIMENE	194
2. TEČNOSTI KOJE SE MOGU PUMPATI.....	195
3. TEHNIČKI PODACI I OGRANIČENJA UPOTREBE	195
4. UPRAVLJANJE	195
4.1 Skladištenje	195
4.2 Transport	195
4.3 Težina i dimenzije.....	195
5. UPOZORENJA.....	195
6. INSTALACIJA.....	196
7. ELEKTRIČNO PRIKLJUČIVANJE	196
8. POKRETANJE	196
9. Elektronski interfejs upravljanja	196
9.1 Opšti pregled karakteristika	197
9.1.1 Opis displeja:	197
9.2 Opis funkcija	198
9.2.1 Pumpa ON/OFF (AUTO MODE, MANUAL MODE)	198
9.2.2 Faza početnog usisavanja	199
9.2.3 Reset alarma.....	199
9.2.4 Oznaka napona ON/OFF	199
9.2.5 Oznaka pumpe ON/OFF	199
9.2.6 Oznaka alarma.....	199
9.2.7 Zaštita od rada na suvo (Dry running protection).....	199
9.2.8 Zaštita od curenja (ANTI-LEAKAGE).....	199
9.2.9 Max pump on	199
9.2.10 Alarm senzora pritiska	199
9.3 Prvo pokretanje	199
9.3.1 Test led lampica	199
9.3.2 Prvo početno usisavanje.....	199
9.4 Normalne operacije s onemogućenom postavkom CUT-OUT (fabrički)	199
9.5 Normalne operacije s omogućenom postavkom	200
10. MERE PREDOSTROŽNOSTI	200
11. ODRŽAVANJE I ČIŠĆENJE	200
11.1 Čišćenje usisnog filtera	200
11.2 Čišćenje nepovratnog ventila (NRV)	200
12. TRAŽENJE KVAROVA.....	200
13. GARANCIJA	201

UPOZORENJA



Pre nego što počnete instalaciju pažljivo pročitajte svu dokumentaciju.



Pre svake intervencije iskopčajte utikač iz utičnice. Apsolutno izbegavajte rad na suvo.



Zaštitite pumpu od uticaja nepovoljnih vremenskih prilika.



Zaštita od preopterećenja. Pumpa je opremljena uređajem za termičku zaštitu motora. U slučaju eventualnog pregrevavanja motora, uređaj za zaštitu motora automatski isključuje pumpu. Vreme hlađenja je otprilike 15-20 min. Posle tog vremena, pumpa se automatski ponovo uključuje. Nakon intervencije uređaja za zaštitu motora apsolutno je potrebno utvrditi njen uzrok i ukloniti ga. Pogledajte poglavlje Traženje kvara.

1. PRIMENE

Samousisne centrifugalne mlazne pumpe sa odličnom usisnom moći, čak i u prisustvu gasa u vodi. Posebno pogodne za potrebe vodosnabdevanja i povećanje pritiska kod kuće. Posebno su preporučljive za napajanje vodom i podizanje pritiska vode u seoskim imanjima. Pogodne su za malu poljoprivredu u povrtnjacima i za baštovanstvo, za slučajevne nužde u domaćinstvu i hobije u opštem smislu. Zahvaljujući svom kompaktnom obliku, pogodnom za rukovanje, ove pumpe imaju i posebnu primenu kao prenosive pumpe u slučajevima nužde kao što su preuzimanje vode iz rezervoara ili reka. **U slučaju da proizvođač poseduje WiFi, konsultovati brzo uputstvo.**



Ove pumpe mogu da se koriste u bazenima, jezercima, slivovima uz prisustvo ljudi i/ili za pumpanje ugljovodonika (benzina, dizel goriva, ulja koja se koriste kao gorivo, rastvarača, itd), prema važećim propisima o zaštiti na radu. Pre odlaganja, dobro je predvideti jednu fazu čišćenja. Pogledajte poglavlje "Održavanje i čišćenje".

2. TEČNOSTI KOJE SE MOGU PUMPATI

Čist, bez prisustva čvrstih čestica ili abrazivnih supstanci, neagresivan.

Sveža voda	•
Kišnica (filtrirana)	•
Čista otpadna voda	○
Priljava voda	○
Voda iz fontane (filtrirana)	•
Voda iz reka ili jezera (filtrirana)	•
Pitka voda	•

cto 1

- Pogodna
- Nepogodna

3. TEHNIČKI PODACI I OGRANIČENJA UPOTREBE

- **Napon napajanja: 220-240V**, pogledajte pločicu s električnim podacima.
- **Tromi linijski osigurači (verzija 220-240V):** indikativne vrednosti (u amperima).
- **Temperatura skladištenja:** -10°C +40°C

Model	Linijski osigurači 220-240V 50Hz
P1= 850	4
P1= 1100	6
P1= 640	4
P1= 920	6

cto 2

	Model	P1=850	P1=1100	P1=640	P1=920
Električni podaci	P1 Nominalna apsorbirana snaga [W]	850	1100	640	920
	P2 [W]	600	750	380	560
	Mrežni napon [V]	1~220-240 AC			
	Mrežna frekvencija [Hz]	50			
	Struja [A]	3.88	4.58	3.10	4.20
	Kondenzator [μ F]	12.5	16	16	12.5
	Kondenzator [Vc]	450			
Hidraulični podaci	Maks. protok [l/h]	3180	3750	3600	4800
	Maks. napon vodenog stuba [m]	43	45	32	40
	Maks. napon vodenog stuba [bar]	4.3	4.5	3.2	4.0
	Maks. pritisak [bar]	6			
	Maks. dubina usisavanja [m/min]	8m / <3min		6m / <3min	
Polje upotrebe	Dužina kabla za napajanje [m]	1.5			
	Vrsta kabla	H07 RNF			
	Stepen IP zaštite motora	IP X4			
	Klasa izolacije	F			
	Polje temperature tečnosti [°C] prema standardu EN 60335-2-41 za upotrebu u domaćinstvu	0 °C / +35 °C			
	Maks. dimenzija čestica	čista voda			
	Maks. temperatura ambijenta [°C]	+40 °C			
Težina	DNM GAS	1" M			
	Neto/bruto težina cca [kg]	9.6/11.8	10.3/12.5	10.1/12.1	10.9/12.9

cto 3



Pumpa ne može da podnese težinu cevi koje se moraju podržati na drugi način.

4. UPRAVLJANJE

4.1 Skladištenje

Sve pumpe moraju da budu skladištene u zatvorenoj, suvoj prostoriji, bez vibracija i prašine, u kojoj vlažnost vazduha po mogućnosti ima stalnu vrednost. Pumpe se isporučuju u svojoj originalnoj ambalaži u kojoj moraju ostati do momenta instalacije.

4.2 Transport

Izbegavajte nepotrebne udare i sudare proizvoda.

4.3 Težina i dimenzije

Na ambalaži se nalazi nalepnica sa oznakom ukupne težine i dimenzija pumpe.

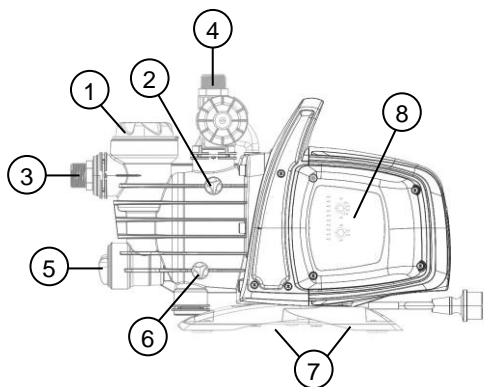
5. UPOZORENJA



Pumpe se nikad ne smeju prevoziti, podizati ili puštati u rad obešene za kabl za napajanje. Koristite odgovarajuću ručku.

- Pumpa ne sme nikad da radi na suvo.
- Napominjemo da čepove za ispuh/izlaz (2 i 6) treba otvarati/zatvarati bez upotrebe prekomerne sile.

6. INSTALACIJA



1. Prefilter
2. Čep za odušak
3. Okretni usisni priključak
4. Potisni priključak
5. Integrisani nepovratni ventil
6. Čep za ispuštanje
7. Antivibracijske gumene nožice
8. Elektronski interfejs upravljanja

Električna pumpa mora da bude instalirana u prostoru zaštićenom od vremenskih nepogoda i sa temperaturom ambijenta koja ne sme da bude viša od 40°C.

Pumpa je opremljena antivibracijskim nožicama, ali ih je u slučaju nepomičnih instalacija moguće skinuti i predvideti pričvršćivanje za osnovu (7). Nemojte dozvoliti da cevi prenose preterano opterećenje na otvore pumpe (3) i (4) da se ne bi stvarale deformacije ili lomljenja.

Pumpu smestiti što bliže dizanom fluidu.

Pumpa mora biti instalirana u horizontalnom položaju.

Cevi ne smeju nikad imati unutrašnji promer manji od promera otvora električne pumpe; na usisnom delu pumpa je opremljena filterom (1) i nepovratnim ventilom (NRV) (5).

Za dubine usisa veće od 4m ili za veće dužine cevi preporuka je da ulazno crevo bude većeg prečnika od onog na ulazu u pumpu. Da bi sprečili pojavu vazdušnih džepova, ulazno crevo mora biti nagnuto malo naviše prema pumpi. Sl.2

Ako je usisna cev izrađena od gume ili fleksibilnog materijala, uvijek proverite da se radi o vrsti cevi sa ojačanjem, otpornom na vakum, da bi se izbeglo njeno sužavanje usled usisavanja.

U slučaju nepomične instalacije, preporučuje se montaža ventila za zatvaranje i na usisnom i na potisnom delu. To omogućuje zatvaranje linije uzvodno i/ili nizvodno od pumpe, što je korisno za sve intervencije održavanja i čišćenja ili u periodima u kojima se pumpa ne koristi.

Pumpa je opremljena rotirajućim ulazima i da bi se olakšala instalacija. (3) i (4)

U slučaju fleksibilnih cevi, ako je potrebno, koristite krivu cev, sl. 1 i komplet opreme za rad u bašti koji se sastoji od PE cevi i kompleta priključaka sa uskim nastavkom, koji nisu deo opreme ali se mogu odvojeno nabaviti.

U prisustvu prljavštine vrlo malih dimenzija preporučuje se upotreba, osim integrisanog filtera (1) još jednog filtera na ulazu pumpe, montiranog na usisnoj cevi.

- Nemojte podvrgavati motor preteranim pokretanjima/sat. Izričito se preporučuje da broj pokretanja ne pređe 20 pokretanja /sat.



Promer usisne cevi mora biti veći ili jednak promeru otvora električne pumpe, pogledajte Tabelu 3.

7. ELEKTRIČNO PRIKLJUČIVANJE



Obezbedite da napon napajanja odgovara onom na pločici motora i uradite dobro uzemljenje. **Pridržavajte se uputstava navedenih na tehničkoj pločici i u ovom priručniku, tabela 3.**

Dužina kabla za napajanje prisutnog na pumpi ograničava udaljenost instalacije. U slučaju da je potreban produžni kabl, uverite se da je on iste vrste, (npr. H05 RN-F ili H07 RN-F zavisno od instalacije) pogledajte tab.3.

8. POKRETANJE



Nemojte pokrenuti pumpu ako je niste potpuno napunili tečnošću, otprilike 4 litra, dok ne izade iz čepa za ispuštanje vazduha (2).

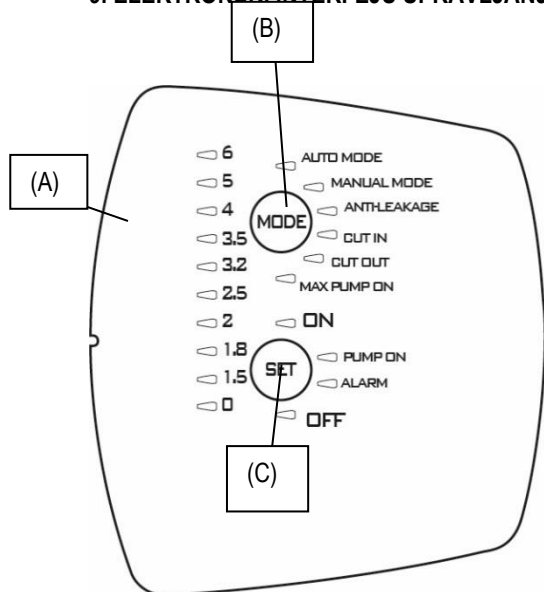
U slučaju da dođe do nedostatka vodnog resursa, odmah iskopčajte utikač iz utičnice, da biste isključili pumpu. Izbegavajte rad na suvo.

1. Pre pokretanja, proverite da li pumpa pravilno usisava, obezbeđujući njeno potpuno punjenje čistom vodom preko odgovarajućeg otvora, nakon što ste ručno ili putem odgovarajućeg instrumenta, koji je deo opreme, skinuli čep za punjenje providnog filtera (1). Istovremeno otvorite i čep za odušak (2) da biste ispustili vazduh. Ovim se obezbeđuje momentalan i ispravan rad pumpe. **Rad na suvo izaziva nepovratna oštećenja na mehaničkom zaptivanju.**
2. Čep za punjenje mora se posle toga pažljivo zavrnuti do kraja (1) kao i čep za odušak (2).
3. Uključite utikač kabla za napajanje u 220-240V utičnicu. **Pažnja!** Motor pumpe će se odmah pokrenuti, voda će početi da izlazi nakon maksimalno 3 minuta, zavisno od dubine nivoa vode u bunaru ili cisterni.
4. Pumpa će nastaviti sa radom i izbacivati vodu. **Pažnja!** Sprečite rad na suvo.
5. Za isključivanje pumpe iskopčajte utikač kabla za napajanje iz utičnice.



U slučaju problema sa početnim punjenjem, ponovite postupak dok vazduh u usisu potpuno ne nestane.

9. ELEKTRONSKI INTERFEJS UPRAVLJANJA



9.1 Opšti pregled karakteristika

Opis	Parametri
Napon, frekvencija kartice	1x220-240V, 50/60 Hz
Oznaka napona on/off	●
Oznaka motora on/off	●
Oznaka alarma	●
Oznaka pritiska	●
Oznaka Mode	●
Auto Mode	●
Manual Mode	○
Zaštita od rada na suvo	●
Zaštita od curenja	○
Zaštita Max pump on	○ (30 minuta)
Pritisak Cut-in	○ Promenljiv (1,5 – 3,0 bara)
Pritisak Cut-out	○ (Cut-in + 1 bar)
Samostalno početno usisavanje	●
Tasteri za odabir	●

● = Stalni; ○ = Može se odabrati

9.1.1 Opis displeja:

(A) Led pokazivači pritiska

10 led lampica se koriste kao pokazivači pritiska od 0 do 6 bara. Kad se u sistemu pritisak menja led lampice se pale ili gase.

Funkcija	Konfiguracija displeja	Set	Reset Alarm
Auto Mode		ON: Omogući OFF: Onemogući	
Manual mode		ON: Omogući OFF: Onemogući	
Anti-leakage		ON: Omogućeno OFF: Onemogućeno	Pritisnite SET
Cut in		Povećaj/Smanji	
Cut out		Povećaj/Smanji OFF: onemogućeno	
Max pump on		ON: omogućeno OFF: onemogućeno	Pritisnite SET

(B) Taster za odabir MODE

Načini koji mogu da se biraju:

- 1) AUTO_MODE;
- 2) MANUAL_MODE;
- 3) ANTI LEAKAGE;
- 4) CUT_IN;
- 5) CUT_OUT,
- 6) MAX_PUMP_ON;

Za deblokiranje odabira funkcija na "MODE" pritisnite taster "MODE" 5 sekundi.

Pritisnite "MODE" za listanje različitih načina rada (AUTO_MODE ili MANUAL_MODE) ili parametara koji mogu da se promene (CUT IN i CUT OUT) ili za omogućavanje nekih funkcija (ANTI-LEAKAGE i MAX PUMP ON). Za vreme listanja led lampica odabrane funkcije treperi. Po povratku u AUTO_MODE aktivne funkcije su označene odgovarajućom stalno upaljenom led lampicom. Pogledajte paragraf 2 (Opis funkcija).

Pokazivači na "MODE"

AUTO MODE: pumpa radi na automatski način, pogledajte 9.2.1.

MANUAL MODE: pumpa radi na ručni način, pogledajte 9.2.1. Korisnik odlučuje njeno uključivanje i isključivanje pritiskom na taster "SET". SET-ON uključena SET-OFF isključena.

CUT-IN: postavka pritiska (uvek omogućena) minimalni pritisak ispod kojeg se pumpa aktivira. Može da se postavi između 1,5 i 3,0 bara. Fabrički je postavljena na 1.8 bara. Pumpa se aktivira čak i kad je protok niži od fabrički postavljene minimalne vrednosti od 1,5 l/min.

CUT-OUT: postavka pritiska (onemogućena) pritisak iznad kojeg se pumpa zaustavlja, fabrički postavljen na "CUT-IN" + 1 LED, ali može da se poveća do 3.5 bara (50.8 psi).

Za njeno omogućavanje odaberite funkciju pritiskom na "MODE" dok god led lampica koja odgovara postavci CUT-OUT ne počne da treperi. Posle:

- 1) pritisnite SET **10 sekundi** da biste omogućili/otključali funkciju (LED svetla koja označavaju vrednosti pritiska su se do sada upalila),
- 2) pritisnuti SET da bi izabrali željenu vrednost,
- 3) da bi onemogućili funkciju, postaviti cut-out vrednost na 0 [bar ili psi],
- 4) pritisnuti MODE da bi izašli iz podešavanja.

NOTA: vrednost CUT-OUT može biti promenjena SAMO nakon otključavanja funkcije za koju je potrebno pritisnuti taster SET 10 sekundi. Nakon 1 sekunde bez pritiska na bilo koje dugme, funkcija će se ponovo zaključati.

ANTI-LEAKAGE: zaštita od curenja. Funkcija može da bude omogućena ili onemogućena. Fabrički je onemogućena. Kad je omogućena, ako dođe do slučaja da se pumpa pokreće više od 6 puta u 2 minuta, ona će se zaustaviti i pojaviće se greška putem crvene LED lampice koja polako treperi na oznaci "ALARM".

Za omogućavanje odaberite funkciju pritiskom na "MODE" dok odgovarajuća led lampica ne zatreperi. Posle toga pritisnite SET dok se ne upali led lampica "ON". Za onemogućavanje, pritisnite "SET" dok upaljeno svetlo ne prikaže OFF.

Kad se ukloni uzrok, resetujte alarm. Ako je još uvek prisutan, pogledajte 9.2.3.

MAX PUMP ON: maksimalno vreme rada. Funkcija može da bude omogućena ili onemogućena. Fabrički je onemogućena. Kad je omogućena, ako dođe do slučaja da pumpa radi više od 30 minuta, ona će se zaustaviti i neće se pojaviti oznaka greške.

Ova funkcija se koristi kao zaštita instalacije u slučaju nenamernog zaboravljanja otvorene slavine, u slučaju lomljenja cevi ili u primenama za navodnjavanje.

Za omogućavanje odaberite funkciju pritiskom na "MODE" dok se led lampica koja odgovara funkciji MAX PUMP ON ne upali. Posle toga pritisnite SET dok se ne upali led lampica "ON". Za onemogućavanje, pritisnite "SET" dok upaljeno svetlo ne prikaže OFF.

(C) Taster za odabir SET

Načini koji mogu da se biraju:

- 1) Reset alarma.
- 2) Omogućavanje/onemogućavanje in MODE (MAX_PUMP_ON, ANTILEACKAGE).
- 3) Povećanje parametara u MODE (CUT_IN; CUT_OUT).
- 4) Motor ON/OFF u MANUAL MODE.
- 5) Aktivna pumpa/pumpa u stanju pripravnosti u AUTO MODE.

Za promenu parametara pritisnite "SET". U slučaju da je led lampica upaljena na MODE-CUT IN ili MODE-CUT OUT, vrednost će biti prikazana na traci sa led pokazivačem pritiska. Pritiskom na "SET" vrednost se povećava. Nakon postavljanja željene vrednosti izađite iz promene pritiskom na "MODE" i ponovno dovodeći led lampicu na MODE-AUTO i omogućeni SET "ON".

Pritisnite SET da biste omogućili/onemogućili i funkcije Anti-leakage i Max pump On. Nakon što ste odabrali funkciju tasterom "MODE" omogućite je odabirom SET-ON. Za onemogućavanje odaberite SET-OFF.

U načinu rada "MANUAL" taster SET služi za uključenje ili isključenje pumpe, upaljena led lampica na "On" ili "OFF".

U automatskom načinu rada AUTO-MODE služi da se omogući "ON" ili postavi u stanje pripravnosti "OFF".

PUMP ON: oznaka koja odgovara motoru u radu.

9.2 Opis funkcija**9.2.1 Pumpa ON/OFF (AUTO MODE, MANUAL MODE)**

Postavka Cut out onemogućena → nakon što ste ukopčali utikač u utičnicu, nakon testa led lampica pumpa se uključuje 10 sekundi.

Postavka Cut out omogućena → Nakon što ste ukopčali utikač u utičnicu, prve 3 sekunde vrši se test led lampica (paljenje led lampice 0 uvek označava prisustvo napona) i postavlja podrazumevani način rada "AUTO MODE" sa paljenjem lampice "ON". Pumpa počinje da radi ako je pritisak niži od vrednosti CUT -IN a donji protok niži od minimalnog protoka cut-in. Pumpa ostaje u radnom stanju dok je pritisak niži od vrednosti CUT-OUT, a kad je dostigne isključuje se nezavisno od protoka.

Međutim, ako se odabere način rada "**MANUAL MODE**", jednim pritiskom na taster "**MODE**", pumpa se pokreće ako je upaljena led lampica "**ON**"; u protivnom pritiskom na "**SET**", pumpa se isključuje i pali se led lampica "**OFF**".

Kada pumpa počinje da radi ulazi u način rada POČETNOG USISAVANJA.

Napomena: uverite se da ste sledili uputstva za instalaciju i da je pumpa potpuno napunjena vodom.

9.2.2 Faza početnog usisavanja

Kad pumpa počne da radi, ulazi u način rada početnog usisavanja. Za vreme ove faze, ako nedostaju protok i pritisak, pumpa održava motor upaljenim 3 minuta, a nakon toga ulazi u alarm rada na suvo. Međutim, ako u tom vremenskom intervalu postoje protok ili pritisak, vrši se početno usisavanje i pumpa će normalno raditi.

9.2.3 Reset alarma

Kad se pojavi alarm, pali se crveno kontrolno svetlo na "**ALARM**". Alarm se resetuje jednim pritiskom na taster "**SET**". Ako je uzrok alarma uklonjen nastavlja se sa normalnim radom; u protivnom, pumpa se ponovno vraća u stanje alarma.

9.2.4 Oznaka napona ON/OFF

Ako postoji napon, led lampica pritiska 0 na traci sa led lampicama je upaljena. Ako nema napona, ova led lampica je ugašena.

Napomena: za vreme dugih perioda neaktivnosti preporučujemo da prekinete napon izvlačenjem utikača iz utičnice.

9.2.5 Oznaka pumpe ON/OFF

Kad motor radi, plavo svetlo na oznaci "**PUMP ON**" mora da bude upaljeno da bi označilo rad. Kad se motor zaustavlja ova led lampica se gasi.

9.2.6 Oznaka alarma

Kad je prisutan alarm aktivira se crveno stalno upaljeno ili treptajuće svetlo na oznaci "**ALARM**".

Rad na suvo (Dry-running): stalno upaljeno crveno svetlo.

Curenje (Leakage): sporo treptanje.

Max Pump ON (pumpa radi više od 30 minuta): 2 brza treperenja sa dužom pauzom između njih.

Pritisnite "**SET**" za resetovanje alarma.

9.2.7 Zaštita od rada na suvo (Dry running protection)

Ako pumpa radi na suvo, nakon nekoliko sekundi (40 s) zaustavlja se i pojavljuje se oznaka greške sa stalno upaljenim crvenim kontrolnim svetlom na oznaci "**ALARM**".

Nakon prvog perioda od 30 minuta u kojem se pumpa nalazi u stanju OFF, počinje novi pokušaj pokretanja koji traje 5 minuta. Ako ni ovaj pokušaj nije uspešan, svakih 30 minuta dolazi do novog pokušaja koji će se ponavljati maksimalno 48 puta. Ako su svi ovi pokušaji neuspešni, svaka 24 sata će se vršiti jedan novi pokušaj.

Uređaj automatski izlazi iz alarma rada na suvo ako se pojave protok i/ili pritisak.

Ako se alarm resetuje, pogledajte 9.2.3, vrši se novi pokušaj od 40 sekundi.

Uklonite uzroke i resetujte alarm, pogledajte 9.2.3.

9.2.8 Zaštita od curenja (ANTI-LEAKAGE)

Funkcija može da bude omogućena ili onemogućena; fabrički je postavljena na onemogućeno. Kad je omogućena, ako dođe do slučaja da se pumpa pokreće više od 6 puta u 2 minuta, ona će se zaustaviti i pojaviće se greška putem crvene LED lampice koja polako treperi na oznaci "**ALARM**".

Uklonite uzroke i resetujte alarm, pogledajte 9.2.3.

Za proceduru omogućavanja pogledajte Anti-leakage.

9.2.9 Max pump on

Maksimalno vreme rada. Funkcija može da bude omogućena ili onemogućena. Fabrički je onemogućena. Kad je omogućena, ako dođe do slučaja da pumpa radi više od 30 minuta, ona će se zaustaviti i pojaviće se treperenje na oznaci ALARM.

Ova funkcija se koristi kao zaštita instalacije u slučaju nenamernog zaboravljanja otvorene slavine, u slučaju lomljenja cevi ili u primenama za navodnjavanje.

9.2.10 Alarm senzora pritiska

Uređaj ulazi u alarm senzora pritiska ako je vrednost pritiska izvan radnog raspona (0-15 bar). Pumpa se isključuje, greška će se resetovati čim se stanje pritiska vrati u raspon.

9.3 Prvo pokretanje

9.3.1 Test led lampica

Kod prvog pokretanja i u svakom slučaju nakon što ste ukopčali utikač u utičnicu, vrši se test 20 LED lampica od nekoliko sekundi. U toku tog vremena led lampice se pale redosledom.

9.3.2 Prvo početno usisavanje

Pumpa se automatski postavlja na **AUTO** mode način rada sa postavkom na **ON**.

Moguća su tri slučaja:

- 1) Protok prisutan ali pod niskim pritiskom: pumpa izlazi iz faze početnog usisavanja i počinje normalan rad.
- 2) Pritisak prisutan, ali nema protoka: nakon 10 sekundi u ovom stanju pumpa se isključuje.
- 3) Nisu prisutni ni pritisak ni protok; pumpa se isključuje i pojavljuje se greška Rad na suvo, nakon otprilike 3 minuta. Greška je označena upaljenim crvenom led lampicom na oznaci SET ALLARM. Uklonite uzrok i resetujte alarm, pogledajte 9.2.3.

9.4 Normalne operacije s onemogućenom postavkom CUT-OUT (fabrički)

Onemogućena postavka Cut-out znači da postoji sledeće:

- Pumpa se aktivira ako postoji protok ili u odsustvu pritiska, pritisak niži od postavke CUT IN (u 10 ms).

- Pumpa se zaustavlja ako postoji stanje prisustva pritiska, ali odsustva protoka neprekidno u trajanju od 10 s. Led lampica CUT OUT je ugašena tokom normalnog rada. Za promenu postavki pogledajte 9.1.1.B.

9.5 Normalne operacije s omogućenom postavkom

Omogućena postavka Cut-out znači da postoji sledeće:

- Pumpa se aktivira ako je pritisak niži od pritiska CUT IN.
- Pumpa se zaustavlja ako je pritisak viši od pritiska CUT OUT.

Led lampica CUT OUT je upaljena tokom normalnog rada. Za promenu postavki pogledajte 9.1.1.B.

10. MERE PREDOSTROŽNOSTI

OPASNOST OD ZAMRZAVANJA: kad pumpa ostane neaktivna na temperaturi nižoj od 0°C, treba proveriti da nema preostale vode koja bi mogla da se zamrzne i dovede do stvaranja pukotina na plastičnim delovima.

Ako je pumpa korištena sa supstancama koje se polažu, ili sa hlorisanom vodom, nakon upotrebe isperite je snažnim mlazom vode da bi se izbeglo stvaranje naslaga koji bi mogle da umanje karakteristike pumpe.

11. ODRŽAVANJE I ČIŠĆENJE

Prilikom normalnog rada električne pumpe, nema potrebe za bilo kakvim održavanjem. U svakom slučaju sve intervencije popravki i održavanja moraju se vršiti samo nakon što se pumpa iskopča sa mreže napajanja. Kad se pumpa ponovo pokreće, uverite se da je pravilno montirana, da ne bi bila uzrok opasnosti za ljude i stvari.

11.1 Čišćenje usisnog filtera (SI.3)

- Prekinite električno napajanje pumpe.
- Izvršite drenažu pumpe, tako što ćete otvoriti čep za pražnjenje (6), nakon što ste prvo zatvorili uzvodne zasune (ako su prisutni).
- Odvijte poklopac komore filtera, ručno ili odgovarajućim dodatnim delom koji je deo opreme.
- Izvucite odozgo jedinicu filtera.
- Isperite čašu pod tekućom vodom i očistite filter mekanom četkom.
- Ponovo montirajte filter vršeći radnje obrnutim redosledom.

11.2 Čišćenje nepovratnog ventila (NRV) (SI.4)

- Prekinite električno napajanje pumpe.
- Skinite čep nepovratnog ventila (NRV) (5) dodatnim delom koja je dio opreme.
- Skinite zaporni ventil (NRV) i očistite ga od eventualne prljavštine.
- Sklopite delove obrnutim redosledom u odnosu na rasklapanje.

12. TRAŽENJE KVAROVA



Pre nego što počnete sa traženjem kvarova, potrebno je prekinuti električno povezivanje pumpe (izvucite utikač iz utičnice). Ako postoji oštećenje na bilo kojem električnom delu napojnog kabla ili pumpe, intervenciju popravke ili zamene mora da vrši proizvođač ili njegova tehnička servisna služba ili osoba sa sličnom kvalifikacijom da bi se sprečila pojava bilo kakvog rizika.

GREŠKA	PROVERITI (mogući uzrok)	REŠENJE
1. Pumpa ne startuje.	A. Proverite električno povezivanje. B. Proverite stanje motora. C. Proverite osigurače. D. Moguća intervencija termičke zaštite.	C. Ako su pregoreli, zamenite ih. D. Sačekajte otprilike 20 min dok se motor ne ohladi. Proverite uzrok intervencije i uklonite ga. Ako se greška i dalje ponavlja, motor je kratko spojen.
2. Pumpa ne startuje ali motor radi.	A. Obezbedite priključni napon isti kao onaj na pločici uređaja. B. Proverite moguće blockade u pumpi ili motoru. C. Proverite da li je osovinu blokirana. D. Proverite stanje kondenzatora.	B. Uklonite blokadu. C. Uz pomoć dodatnog dela koji je deo opreme odvijte mali poklopac i odvijačem odblokirajte osovinu. D. Zamenite kondenzator.
3. Motor se teško okreće.	A. Proverite da li je napon dovoljan. B. Proverite da li ima sudaranja nekih obrtnih delova.	B. liminišite uzrok.
4. Pumpa ne radi dovoljno.	A. Pumpa nije pravilno napunjena. B. Premali prečnik ulazne cevi. C. Nepovratni ventil (NRV) ili filter blokirani.	A. Napunite pumpu vodom i izvršite početno usisavanje, pazeći da ispuštite vazduh tako što ćete odviti čep za odušak. B. Zamenite sa cevi većeg prečnika. C. Dobro očistite filter i ako to nije dovoljno i nepovratni ventil (NRV).

5. Pumpa ne pumpa.	A. Usisavanje vazduha preko usisne cevi. B. U usisnoj cevi se zadržava vazduh.	A. Uklonite tu pojavu, tako što ćete proveriti nepropusnost priključaka i usisnih cevi i ponovite operaciju početnog usisavanja. B. Korigujte nagib usisne cevi.
6. Pumpa ne pumpa dovoljno.	A. Usisna cev je blokirana. B. Radno kolo je pohabano ili blokirano. C. Nedovoljan prečnik usisne cevi	A. Dobro očistite usisnu cev. B. Uklonite opstrukcije ili zamenite phabane delove. C. Zamenite sa cevi većeg prečnika.
7. Pumpa vibrira i bučna je.	A. Proverite veze pumpe sa postoljem. B. Pojava kavitacije – povećan zahtev ya vodom u odnosu na kapacitet pumpe. C. Pumpa radi na većim karakteristikama od deklarisanih..	A. Fiksirajte olabavljene delove. B. Redukujte usisnu visinu ili proverite gubitke. C. Ograničite protok na izlazu.

13. GARANCIJA



Bilo kakva promena koja nije prethodno ovlašćena, oslobađa proizvođača od bilo kakve odgovornosti. Svi rezervni delovi korišćeni u popravkama moraju da budu originalni i sva dodatna oprema mora da bude ovlašćena od strane proizvođača da bi se mogla garantovati maksimalna bezbednost mašina i postrojenja na kojima one mogu da budu montirane.

Ovaj proizvod pokriven je legalnom garancijom (u Evropskoj zajednici rok je 24 meseca od datuma kupovine) koja se odnosi na sve defekte nastale greškama u proizvodnji ili zbog korištenog materijala.

Proizvod u garantnom roku može da bude, prema potrebi, zamenjen proizvodom u savršenom radnom stanju ili besplatno popravljen ako se poštuju sledeći uslovi:

- proizvod je korišten na pravilan način i u skladu sa uputstvima i kupac ili treće osobe nisu pokušali da ga poprave ni na koji način;
- proizvod je predat prodajnom mjestu, uz prilog dokumenta koji potvrđuje njegovu kupovinu (faktura ili fiskalni račun) i kratkog opisa problema.

Rotor i delovi podložni trošenju nisu pokriveni garancijom. Intervencija u garantnom roku ni u kom slučaju ne produžuje početni period.

INNEHÅLLSFÖRTECKNING

1. ANVÄNDNINGSSOMRÅDEN	202
2. VÄTSKOR SOM KAN PUMPAS	203
3. TEKNISKA DATA OCH ANVÄNDNINGSBEGRENSNINGAR	203
4. HANTERING	203
4.1 Förvaring	203
4.2 Transport	203
4.3 Vikt och mått	203
5. SÄKERHETSFÖRESKRIFTER.....	203
6. INSTALLATION	204
7. ELANSLUTNING.....	204
8. START.....	204
9. ELEKTRONISKT STYRGRÄNSSNITT	205
9.1 Tekniska data	205
9.1.1 Beskrivning av displayen:	205
9.2 Beskrivning av funktioner	206
9.2.1 Pump ON/OFF (AUTO MODE, MANUAL MODE)	206
9.2.2 Fyllningsfas	207
9.2.3 Larmåterställning	207
9.2.4 Indikation av spänning ON/OFF	207
9.2.5 Indikation av pump ON/OFF	207
9.2.6 Indikation av larm	207
9.2.7 Torrkörningsskydd (Dry running protection).....	207
9.2.8 Läckageskydd (ANTI-LEAKAGE)	207
9.2.9 Max pump on	207
9.2.10 Larm för trycksensor	207
9.3 Första start	207
9.3.1 Lysdiodtest.....	207
9.3.2 Första fyllning.....	207
9.4 Normal drift med CUT OUT deaktiverad (fabriksinställning)	207
9.5 Normal drift med CUT OUT aktiverad	208
10. FÖRSIKTIGHETSÅTGÄRDER	208
11. UNDERHÅLL OCH RENGÖRING	208
11.2 Rengöring av backventil	208
12. FELSÖKNING	208
13. GARANTI	209

VARNINGSFÖRESKRIFTER



Läs hela bruksanvisningen noggrant före installationen.



Dra alltid ut stickkontakten ur eluttaget före ingrepp på pumpen. Torrkörning är förbjuden.



Skydda elpumpen mot väder och vind.



Överbelastningsskydd. Pumpen är utrustad med en termosäkring. Om motorn blir överhettad stänger termosäkringen av pumpen automatiskt. Det tar ca. 15 - 20 min. för pumpen att svalna och därefter startar den igen automatiskt. Om termosäkringen löser ut måste du ta reda på orsaken till detta och åtgärda felet. Konsultera felsökningstabellen.

1. ANVÄNDNINGSSOMRÅDEN

Själv sugande centrifugalpumpar med stråle och ypperlig sugkapacitet även då vattnet innehåller gas. Framförallt avsedd för vattentillförsel och tryckstegring på lantställen. Lämpar sig för mindre köksträdgårdar, trädgårdsbruk, som nödpumpar för hushållsbruk och hobbybruk i allmänhet. Tack vare pumparnas kompakta och lätthanterliga utformning går de även att använda som nödpumpar för transportabel användning som t.ex. för tappning av vatten från behållare eller vattendrag. **Se snabbguiden om produkten är utrustad med Wifi.**



Dessa pumpar kan inte användas i simbassänger, dammar, bassänger i närvaro av personer eller för pumpning av kolväte (bensin, diesel, eldningsolja, lösningsmedel o.s.v.) i enlighet med gällande olycksförebyggande standard. Rengör dem gärna före avställningen. Se kapitel Underhåll och rengöring.

2. VÄTSKOR SOM KAN PUMPAS

Ren utan fasta eller slipande partiklar, och ej aggressiv.

Rent vatten	•
Dagvatten (filtrerat)	•
Spillvatten	○
Smutsigt vatten	○
Fontänvatten (filtrerat)	•
Flod- eller sjövattnen (filtrerat)	•
Dricksvatten	•

Tabell 1

- Lämplig
- Ej lämplig

3. TEKNISKA DATA OCH ANVÄNDNINGSBEGRENSNINGAR

- **Matningsspänning: 220-240V**, Se märkplåten över elektriska data
- **Tröga säkringar för elledning (220-240V versionen)**): Ungefärliga värden (Ampere).
- **Förvaringstemperatur: -10°C +40°C**.

Modell	Säkringar för elledning 220-240V 50Hz
P1= 850	4
P1= 1100	6
P1= 640	4
P1= 920	6

Tabell 2

	Modell	P1=850	P1=1100	P1=640	P1=920
Elektriska data	P1 Nominell effektförbrukning [W]	850	1100	640	920
	P2 [W]	600	750	380	560
	Nätspänning [V]	1~220-240 AC			
	Nätfrekvens [Hz]	50			
	Ström [A]	3.88	4.58	3.10	4.20
	Kondensator [µF]	12.5	16	16	12.5
	Kondensator [Vc]	450			
Elektriska data	Max. flöde [L/h]	3180	3750	3600	4800
	Max. uppfodringshöjd [m]	43	45	32	40
	Max. uppfodringshöjd [bar]	4.3	4.5	3.2	4.0
	Max. tryck [bar]	6			
	Max. insugningsdjup [m/min]	8m / <3min		6m / <3min	
Användningsområde	Nätkabelns längd [m]	1.5			
	Typ av kabel	H07 RNF			
	Skyddsgrad för motor	IP X4			
	Isoleringsklass	F			
	Temperaturområde för vätska [°C] enligt SS-EN 60335-2-41 för hushållsbruk	0 °C / +35 °C			
	Max. kornstorlek [mm]	rent vatten			
	Max. omgivningstemperatur [°C]	+40 °C			
Vikt	DNM GAS	1" M			
	Ungefärlig netto-/bruttovikt [kg]	9.6/11.8	10.3/12.5	10.1/12.1	10.9/12.9

Tabell 3



Pumpen klarar inte rörledningarnas vikt. Rörledningarna måste därför stödjas på annat sätt.

4. HANTERING

4.1 Förvaring

Alla pumpar måste förvaras på en plats som är övertäckt, torr och med så konstant luftfuktighet som möjligt, samt fri från vibrationer och damm. Pumparna levereras i sina originalemballage, där de ska förvaras fram till installationstillfället.

4.2 Transport

Undvik att utsätta produkterna för onödiga stötar och kollisioner.

4.3 Vikt och mått

Klistermärket på emballaget anger elpumpens totala vikt och mått.

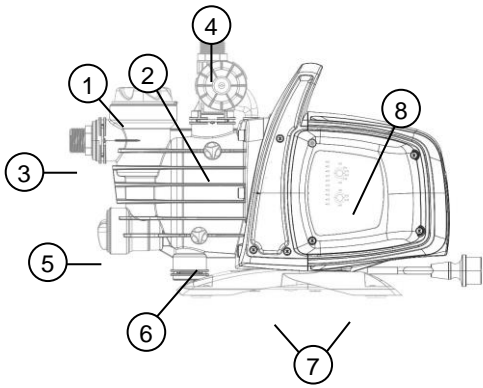
5. SÄKERHETSFÖRESKRIFTER



Pumparna får aldrig transporteras, lyftas eller startas hängandes i nätkabeln. Använd det därtill avsedda handtaget.

- Pumpen får aldrig torröras.
- Det rekommenderas att öppna/stänga avluftnings- och tömningspluggarna (2 och 6) utan att använda för stor kraft.

6. INSTALLATION



1. Förfilter
2. Avluftningsplugg
3. Riktbar koppling på sugsidan
4. Koppling på trycksidan
5. Inbyggd backventil
6. Tömningsplugg
7. Vibrationsdämpande stödfötter av gummi
8. Elektroniskt styrgränssnitt

Installera elpumpen på en plats som är skyddad från väder och vind och med en omgivningstemperatur på max. 40 °C.

Pumpen är utrustad med vibrationsdämpande stödfötter. Vid fast installation går det att ta bort dem och utföra en förankring vid stödbasen (7).

Undvik att rörledningarna belastar pumpens munstycken (3) och (4). Detta för att undvika deformationer eller skador.

Enligt gällande norm bör pumpen placeras så nära pumpvätskan som möjligt.

Pumpen ska endast installeras horisontellt.

Rörledningarna får aldrig ha mindre innerdiameter än elpumpens munstycken och munstyckena på sugsidan. Pumpen är utrustad med filter (1) och backventil (5).

Vid en sughöjd på över 4 meter eller vid längre horisontella sträckor rekommenderas en sugledning med en diameter större än elpumpens inloppsanslutning. För att undvika luftansamlingar i sugledningen bör denna placeras lätt lutande upp mot elpumpen. Fig.2 Om sugledningen är tillverkad av gummi eller böjligt material ska du alltid kontrollera att den är förstärkt och vakuumsäker för att undvika sammandragningar p.g.a. sugeffekten.

Vid fast installation rekommenderas det att montera en avstängningsventil på både sug- och trycksidan. Den används för att stänga av ledningen uppströms och/eller nedströms. Det är praktiskt i samband med underhåll och rengöring eller de perioder då pumpen inte används.

Pumpen är utrustad med vridbara in-utlopp (3 och 4) för att underlätta installationen.

Om det används slangar ska det vid behov användas en rörböj (fig. 1) och trädgårdssatsen som består av en rörledning av polyeten och kopplingssatsen med munstycke (medföljer inte men kan köpas separat).

Om det förekommer smuts med mycket små dimensioner rekommenderas det att utöver det inbyggda filtret (1) använda ett filter för pumpinloppet som ska monteras på sugledningen.

- Starta inte motorn ett överdrivet antal gånger per timme. Det rekommenderas å det bestämdaste att inte överskrida 20 starter per timme.



Sugledningens diameter ska vara större än eller lika med diametern på elpumpens munstycke (se tabell 3).

7. ELANSLUTNING



Kontrollera att nätspänningen överensstämmer med motorns märkplåt och att ANLÄGGNINGEN ÄR ANSLUTEN TILL ETT JORDAT UTTAG. **Följ anvisningarna på märkplåten och i denna bruksanvisning (tabell 3).**

Längden på elpumpens nätkabel bestämmer installationsavståndet. Om det krävs en förlängningssladd ska du försäkra dig om att den är av samma typ (t.ex. H05 RN-F eller H07 RN-F beroende på installationen). Se tabell.3.

8. START

Starta inte pumpen förrän den har fyllts helt med vätska (ca 4 liter) och vätskan rinner ut från avluftningspluggen (2).



Om vattnet tar slut ska stickkontakten omedelbart dras ut ur eluttaget så att pumpen stängs av. Undvik torrkörning.

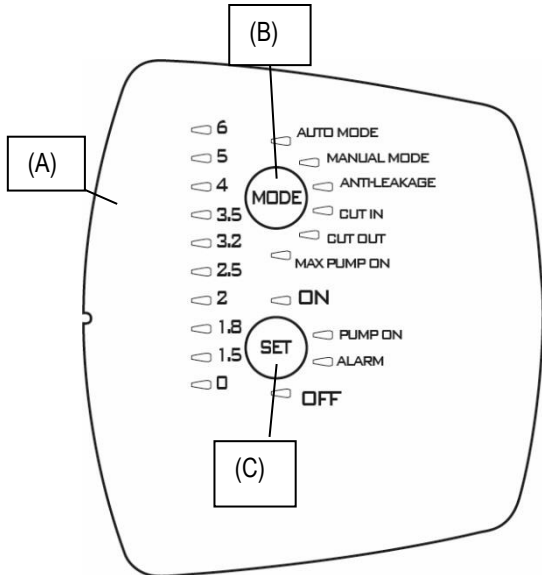
1. Kontrollera att pumpen är korrekt fylld innan den startas. Ta bort påfyllningspluggen på det genomskinliga filtret (1) för hand eller med det därtill avsedda medföljande verktyget. Fyll därefter pumpen helt med rent vatten genom det därtill avsedda hålet. Öppna samtidigt avluftningspluggen (2) för att avlufta. Detta är nödvändigt för pumpens korrekta drift och smörjning av mekaniska tätningar. **Körning av pumpen utan vatten orsakar allvarliga skador på mekaniken.**
2. Påfyllningspluggen ska därefter dras åt noggrant till stoppläget (1) och så även avluftningspluggen (2).
3. Sätt i nätkabelns stickkontakt i ett 220-240V eluttag. **Observera!** Pumpmotorn startar omedelbart och vattnet börjar att rinna ut efter max. 3 minuter. Tiden beror på vattennivån i brunnen eller cisternen.
4. Pumpen fortsätter att vara igång och pumpa vatten. **Observera!** Förebygg torrkörning.
5. Stäng av pumpen genom att dra ut nätkabelns stickkontakt ur eluttaget.



Vid problem med fyllning av pumpen upprepar du momentet tills all luft i insuget är borta.

9. ELEKTRONISKT STYRGRÄNSSNITT

9.1 Tekniska data



Beskrivning	Parametrar
Kretskortsspänning och -frekvens	1x220-240V, 50/60 Hz
Indikation av spänning ON/OFF	●
Indikation av motor ON/OFF	●
Indikation av larm	●
Indikation av tryck	●
Indikation av funktionssätt	●
Auto Mode	●
Manual Mode	○
Torrkörningsskydd	●
Läckageskydd	○
Skydd Max pump on	○ (30 minuter)
Inkopplingstryck	○ Variabelt (1,5 – 3,0 bar)
Urkopplingstryck	○ (Cut in + 1 bar)
Automatisk fyllning	●
Valknappar	●

● = Fast; ○ = Kan väljas

9.1.1 Beskrivning av displayen:

(A) Lysdioder för tryck

Det används tio lysdioder för att indikera trycket från 0 upp till 6 bar. När trycket ändras i systemet tänds eller släcks lysdioderna som en följd av detta.

Funktion	Konfiguration av display	Set	Reset Alarm
Auto Mode		ON: Aktivera OFF: Deaktivera	
Manual mode		ON: Aktivera OFF: Deaktivera	
Anti-leakage		ON: Aktivera OFF: Deaktivera	Tryck på SET
Cut in		Öka/minska	
Cut out		Öka/minska OFF: Deaktivera	
Max pump on		ON: Aktivera OFF: Deaktivera	Tryck på SET

(B) Valknapp MODE

Funktionssätt som kan väljas:

- | | |
|-------------------|-----------------|
| 1) AUTO_MODE; | 4) CUT_IN; |
| 2) MANUAL_MODE; | 5) CUT_OUT; |
| 3) ANTI LEACKAGE; | 6) MAX_PUMP_ON; |

Tryck på knappen MODE i 5 sekunder för att låsa upp valet av funktionerna i läge MODE.

Tryck på **MODE** för att bläddra mellan de olika funktionssätten (AUTO MODE eller MANUAL MODE) eller parametrarna som ska ändras (CUT IN och CUT OUT) eller för att aktivera några funktioner (ANTI-LEAKAGE och MAX PUMP ON). När du bläddrar blinkar lysdioden för den valda funktionen. När du är tillbaka i AUTO MODE markeras de aktiva funktionerna genom att respektive lysdiod lyser med fast sken. Se avsnitt 2 (Beskrivning av funktioner).

Lysdioder på MODE

AUTO MODE: Pumpen fungerar i automatiskt funktionssätt (se 9.2.1).

MANUAL MODE: Pumpen fungerar i manuellt funktionssätt (se 9.2.1). Användaren bestämmer när den ska startas och stoppas med knappen **SET**. SET ON är tänd. SET OFF är släckt.

CUT IN: Inställning av min. tryck (alltid aktiverad) under vilket pumpen startas. Kan ställas in på mellan 1,5 och 3,0 bar. Fabriksinställningen är 1.8 bar. Pumpen startas även om flödet är lägre än ett fabriksinställt min. värde på 1,5 L/min.

CUT OUT: Inställning av tryck (deaktiverad) över vilket pumpen stoppas. Fabriksinställningen är CUT IN + 1 bar men kan ökas till 3.5 bar (50.8 psi).

Aktivera funktionen genom att välja den. Gör detta genom att trycka på MODE tills lysdioden för CUT OUT blinkar. Därefter:

- 1) Tryck på SET **i 10 sekunder** för att låsa upp funktionen (nu tänds lysdioderna för tryckvärdena).
- 2) Tryck på SET för att välja önskat värde.
- 3) Deaktivera funktionen genom att ställa in värdet för CUT-OUT på 0 [bar eller psi].
- 4) Gå ur inställningen genom att trycka på MODE.

VIKTIGT: Värdet för CUT-OUT kan ENDAST ändras efter att funktionen har låsts upp genom att knappen SET trycks in i 10 sekunder. När det har gått 1 sekund utan att någon knapp har tryckts in spärras funktionen åter.

ANTI-LEAKAGE: Läckageskydd. Funktionen kan aktiveras eller deaktiveras. Funktionen är fabriksinställd på deaktiverad. Om funktionen är aktiverad och pumpen startas över sex gånger på 2 minuter stoppas pumpen. Felet indikeras av att den röda lysdioden blinkar långsamt på **ALARM**.

Aktivera funktionen genom att välja den. Gör detta genom att trycka på MODE tills motsvarande lysdiod blinkar. Tryck därefter på SET tills lysdioden ON tänds. Deaktivera funktionen genom att trycka på SET tills den tända lysdioden indikerar OFF. När orsaken har åtgärdats ska larmet återställas om det kvarstår (se 9.2.3).

MAX PUMP ON: Max. drifttid. Funktionen kan aktiveras eller deaktiveras. Funktionen är fabriksinställd på deaktiverad. Om funktionen är aktiverad och pumpen är igång i över 30 minuter stoppas pumpen. Ingen felindikation visas.

Denna funktion används för att skydda installationen om en kran glöms öppen av misstag, om en rörledning går sönder eller vid användning i bevattningsystem.

Aktivera funktionen genom att välja den. Gör detta genom att trycka på MODE tills motsvarande lysdiod för funktionen MAX PUMP ON tänds. Tryck därefter på SET tills lysdioden ON tänds. Deaktivera funktionen genom att trycka på SET tills den tända lysdioden indikerar OFF.

(C) Valknapp SET

Funktionssätt som kan väljas:

- 1) Larmåterställning.
- 2) Aktivera/deaktivera i MODE (MAX PUMP ON, ANTI-LEACKAGE).
- 3) Öka parametrar i MODE (CUT IN; CUT OUT).
- 4) Motor ON/OFF i MANUAL MODE.
- 5) Pump igång/pump i standbyläge i AUTO MODE.

Tryck på **SET** för att ändra parametrarna. Om lysdioden är tänd på MODE CUT IN eller MODE CUT OUT visas värdet på lysdiodraden för indikation av trycket. Värdet ökas genom att du trycker på **SET**. När du har ställt in önskat värde ska du gå ur ändringsläget genom att trycka på **MODE** så att lysdioden åter är tänd på AUTO MODE och aktiverad SET ON.

Tryck på SET även för att aktivera/deaktivera funktionerna Anti-leakage och Max pump On. När du har valt funktionen med knappen MODE ska du aktivera den genom att välja SET ON. Deaktivera funktionen genom att välja SET OFF.

I manuellt funktionssätt används knappen SET för att starta eller stoppa pumpen. Tänd lysdiod på ON respektive OFF.

I automatiskt funktionssätt används AUTO MODE för att aktivera (ON) eller sätta i standbyläge (OFF).

PUMP ON: Indikation som sammanfaller med att motorn är igång.

9.2 Beskrivning av funktioner**9.2.1 Pump ON/OFF (AUTO MODE, MANUAL MODE)**

Deaktiverad CUT OUT → När stickkontakten sätts i utförs lysdiodtestet och därefter startas pumpen i 10 sekunder.

Aktiverad CUT OUT → När stickkontakten sätts i utförs lysdiodtestet de första 3 sekunderna (tänd lysdiod 0 indikerar alltid närvaro av spänning) och funktionssättet **AUTO MODE** ställs in som standard. Lysdioden **ON** tänds. Pumpen startas om trycket är lägre än värdet för CUT IN och flödet är lägre än min. inkopplingsflöde. Pumpen fortsätter att vara igång tills trycket är lägre än värdet för CUT OUT. Vid detta tryck stoppas pumpen oberoende av flödet.

Om du istället väljer funktionssättet **MANUAL MODE** och trycker en gång på knappen **MODE** startas pumpen om lysdioden **ON** är tänd. Om du istället trycker på **SET** stoppas pumpen och lysdioden **OFF** tänds.

Pumpen börjar i funktionssättet Fyllning när den startas.

OBS! Kontrollera att du har följt installationsanvisningarna och att pumpen är helt fylld med vatten.

9.2.2 Fyllningsfas

Pumpen börjar i funktionssättet fyllning när den startas. Om pumpen inte känner av något flöde och tryck under denna fas låter den motorn gå i 3 minuter. Efter detta tidsintervall löser torrkörningsskyddet ut. Om pumpen känner av flöde eller tryck under detta tidsintervall utförs fyllningen och pumpen fungerar normalt.

9.2.3 Larmåterställning

När det förekommer ett larm tänds den röda lysdioden på **ALARM**. Larmet återställs genom att du trycker en gång på knappen **SET**. Om orsaken till larmet har åtgärdats fortsätter den normala funktionen, annars försätts pumpen i ett larmläge.

9.2.4 Indikation av spänning ON/OFF

Vid närvaro av spänning är lysdioden för tryck 0 tänd på lysdiodraden. Lysdioden är släckt om det saknas spänning.

OBS! Det rekommenderas att slå från spänningen genom att dra ut stickkontakten under längre avställningsperioder.

9.2.5 Indikation av pump ON/OFF

När motorn går ska en blå lysdiod på **PUMP ON** vara tänd för att indikera funktionen. Lysdioden släcks när motorn stannar.

9.2.6 Indikation av larm

När det förekommer ett larm lyser en röd lysdiod med fast sken eller blinkar på **ALARM**.

Torrkörning (Dry-running): röd lysdiod med fast sken

Läckage (Leakage): långsam blinkning.

Max Pump ON (pump igång i över 30 minuter): Två snabba blinkningar med ett längre uppehåll emellan.

Tryck på SET för att återställa larmen.

9.2.7 Torrkörningsskydd (Dry running protection)

Vid torrkörning av pumpen stoppas pumpen efter 40 sekunder. Felet indikeras av att den röda lysdioden lyser med fast sken på **ALARM**.

Efter en första period på 30 minuter under vilken pumpen är i läge OFF utförs ett nytt startförsök som varar i 5 minuter. Om inte heller detta lyckas, utförs ett nytt försök var 30:e minut max. 48 gånger. Om alla dessa försök misslyckas, utförs ett nytt var 24:e timme.

Anordningen lämnar automatiskt larmläget för torrkörning när det förekommer flöde och/eller tryck.

Om larmet återställs (se 9.2.3), utförs ett nytt försök i 40 sekunder.

Åtgärda orsakerna och återställ larmet (se 9.2.3).

9.2.8 Läckageskydd (ANTI-LEAKAGE)

Funktionen kan aktiveras eller deaktiveras. Funktionen är fabriksinställd på deaktiverad. Om funktionen är aktiverad och pumpen startas över sex gånger på 2 minuter stoppas pumpen. Felet indikeras av att den röda lysdioden blinkar långsamt på **ALARM**.

Åtgärda orsakerna och återställ larmet (se 9.2.3).

Se Anti-leakage för aktiveringsproceduren.

9.2.9 Max pump on

Max. drifttid. Funktionen kan aktiveras eller deaktiveras. Funktionen är fabriksinställd på deaktiverad. Om funktionen är aktiverad och pumpen är igång i över 30 minuter stoppas pumpen. En lysdiod blinkar på **ALARM**.

Denna funktion används för att skydda installationen om en kran glöms öppen av misstag, om en rörledning går sönder eller vid användning i bevattningsystem.

9.2.10 Larm för trycksensor

Anordningen utlöser larmet för trycksensorn om tryckvärdet ligger utanför driftområdet (0 – 15 bar). Pumpen stoppas. Felet återställs så fort tryckförhållandena åter ligger inom driftområdet.

9.3 Första start

9.3.1 Lysdiodtest

Vid den första starten (eller när stickkontakten har satts i) utförs testet av de 20 lysdioderna i några sekunder under vilket samtliga lysdioder tänds i en följd.

9.3.2 Första fyllning

Pumpen är automatiskt i funktionssättet **AUTO MODE** och inställd på **ON**.

Det kan förekomma tre situationer:

- 1) Flöde förekommer men trycket är lågt: Pumpen lämnar fyllningsfasen och börjar den normala funktionen.
- 2) Tryck förekommer men inget flöde: Efter 10 sekunder med detta förhållande stoppas pumpen.
- 3) Varken flöde eller tryck: Pumpen stoppas och det visas en felindikation för torrkörning efter ca 3 minuter vilket signaleras av att den röda lysdioden är tänd på SET **ALARM**. Åtgärda orsaken och återställ larmet (se 9.2.3).

9.4 Normal drift med CUT OUT deaktiverad (fabriksinställning)

Deaktiverad CUT OUT innebär att följande situationer förekommer:

- Pumpen startas om det förekommer flöde eller p.g.a. att det saknas tryck. Lägre tryck än CUT IN (i 10 ms).

- Pumpen stoppas om det förekommer tryck men inget flöde under 10 sekunder.
- Lysdioden för CUT OUT är släckt under normal funktion. Se 9.1.1.B för ändring av inställningen.

9.5 Normal drift med CUT OUT aktiverad

Aktiverad CUT OUT innebär att följande situationer förekommer:

- Pumpen startas om trycket är lägre än trycket för CUT IN.
- Pumpen stoppas om trycket är högre än trycket för CUT OUT.

Lysdioden för CUT OUT är tänd under normal funktion. Se 9.1.1.B för ändring av inställningen.

10. FÖRSIKTIGHETSÅTGÄRDER

FROSTRISK: När pumpen står oanvänd vid en temperatur under 0 °C är det nödvändigt att försäkra sig om att det inte finns något vatten kvar i pumpen som kan skapa sprickor i plastkomponenterna när vattnet fryser.

Om pumpen används med ämnen som har en tendens att ge avlagringar, eller med klorerat vatten, ska pumpen spolas av med en kraftig vattenstråle efter användning för att undvika att avlagringar och förhårdnader bildas som kan reducera pumpens prestanda.

11. UNDERHÅLL OCH RENGÖRING

Elpumpen kräver inget underhåll vid normal användning. Pumpen ska alltid frångöras från eltilförseln vid alla reparationer och underhåll. Försäkra dig om att pumpen har återmonterats fackmannamässigt när den ska startas om för att inte orsaka sak- och personskador.

11.1 Rengöring av sugfiltret (Fig.3)

- Frånkoppla pumpen från eltilförseln.
- Töm pumpen genom att stänga slussventilerna uppströms (beroende på modell) och därefter öppna tömningspluggen (6).
- Skruva loss filterkammarens lock för hand eller med det därtill avsedda medföljande tillbehöret.
- Dra ut filterenheten uppifrån.
- Skölj bägaren under rinnande vatten och rengör filtret med en mjuk borste.
- Återmontera filtret genom att utföra momenten i omvänd ordning.

11.2 Rengöring av backventil (Fig.4)

- Frånkoppla pumpen från eltilförseln.
- Ta bort pluggen på backventilen (5) med det medföljande tillbehöret.
- Ta bort backventilen och rengör den från ev. Smuts.
- Montera delarna i omvänd ordning mot nedmonteringssekvensen.

12. FELSÖKNING



Innan felsökningen påbörjas måste du koppla bort pumpens elanslutning (dra ut stickkontakten ur eluttaget). Vid skador på elkabeln eller någon av pumpens elektriska komponenter ska reparationer och byten av delar ombesörjas av tillverkaren eller en auktoriserad serviceverkstad eller av en person med likvärdig behörighet. Detta för att undvika risk för skador.

FEL	KONTROLL MÖJLIGA ORSAKER)	ÅTGÄRD
1. Motorn startar inte och ger inget ljud ifrån sig.	A. Kontrollera elanslutningarna. B. Kontrollera att motorn har rätt spänning. C. Kontrollera säkringarna. D. Överhettningsskyddet har ev. utlösts.	C. Byt ut dem om de har gått sönder. D. Vänta ca 20 minuter tills motorn har svalnat. Hitta orsaken och åtgärda den. OBS! Om felet upprepas omedelbart innebär detta att motorn har kortslutits.
2. Motorn startar inte, men ger ljud ifrån sig.	A. Kontrollera att nätspänningen överensstämmer med värdet på märkplåten. B. Kontrollera att motor och pump inte blockeras av något föremål. C. Kontrollera att axeln inte är blockerad. D. Kontrollera kondensatorns tillstånd..	B. Eliminera eventuella hinder. C. Skruva loss locket med det medföljande verktyget och frigör axeln med en skruvmejsel. D. Byt ut kondensatorn.
3. Motorn har svårt att gå runt.	A. Kontrollera att nätspänningen är korrekt.. B. Kontrollera att inga rörliga och fasta delar ligger an mot varandra.	B. Åtgärda felet.
4. Pumpen pumpar inte.	A. Pumpen har inte fyllts enligt anvisningarna. B. ugledningen har en otillräcklig diameter. C. Backventilen eller filtret är igensatt.	A. Fyll pumpen med vatten och utför fyllningen. Avlufta med avluftningspluggen. B. Byt röret mot ett annat med en större diameter. C. Rengör filtret och, om det inte är tillräckligt, även backventilen.

SVENSKA

5. Pumpen fylls inte.	A. Luftinsug genom sugledningen. B. Sugledningen har en felaktig lutning och luftansamlingar bildas.	A. Åtgärda fenomenet genom att kontrollera att kopplingarna och sugledningen är täta. Upprepa fyllningen. B. Korrigera lutningen.
6. Pumpen pumpar otillräckligt.	A. Sugledningen är igensatt. B. Pumphjulet är slitet eller tilltäppt. C. Sugledningen har en för liten diameter.	A. Rengör sugledningen. B. Åtgärda tilltäppningen eller byt ut slitna delar. C. Byt röret mot ett annat med större diameter.
7. Pumpen vibrerar och för oväsen.	A. Kontrollera att pumpen och rören är ordentligt fastsatta. B. Pumpen försöker pumpa mer vatten än vad som finns tillgängligt. C. Pumpen arbetar utanför arbetsområdet angivet på märkplåten.	A. Sätt fast de lösa delarna ordentligt. B. Minska sughöjden eller kontrollera effektförlusterna. C. Det kan vara nödvändigt att begränsa vattenflödet.

13. GARANTI



Alla ej auktoriserade ändringar befriar tillverkaren från allt ansvar. Alla reservdelar som används vid reparationer måste vara original och alla tillbehör måste godkännas av tillverkaren, så att de kan garantera maximal säkerhet för de maskiner och anläggningar där de ska monteras.

Denna produkt täcks av en lagstadgad garanti (i europeiska unionen i 24 månader från inköpsdatumet) avseende samtliga fabrikations- och materialfel.

Produkten som omfattas av garantin kan, på tillverkarens inrådan, antingen bytas ut mot en i perfekt funktionsskick eller repareras gratis om följande villkor är uppfyllda:

- Produkten har använts korrekt och enligt anvisningarna och inga reparationsförsök har utförts av köparen eller tredje man.
- Produkten har lämnats in till inköpsstället tillsammans med dokumentet som bekräftar köpet (faktura eller kvitto) och en kort beskrivning av det påträffade felet.

Rotorn och slitdelarna omfattas inte av garantin. Garantiåtgärder förlänger aldrig i något fall den ursprungliga garantiperioden.

İÇİNDEKİLER

1. UYGULAMALAR.....	210
2. POMPALANABİLİR SIVILAR.....	211
3. TEKNİK VERİLER VE KULLANIM SINIRLANDIRMALARI	211
4. İŞLETME	211
4.1 Depolama	211
4.2 Nakledilme.....	211
4.3 Ağırlık ve ölçüler.....	211
5. UYARILAR.....	211
6. KURMA	212
7. ELEKTRİK BAĞLANTISI.....	212
8. ÇALIŞTIRMA.....	212
9. ELEKTRONİK İŞLETİM ARAYÜZÜ.....	213
9.1 Özelliklere genel bakış	213
9.1.1 Ekran açıklaması:	213
9.2 Fonksiyon tanımları	215
9.2.1 Pompa ON/OFF (AUTO MODE, MANUAL MODE)	215
9.2.2 Kendinden emiş aşaması.....	215
9.2.3 Alarm reset.....	215
9.2.4 Gerilim ON/OFF göstergesi	215
9.2.5 Pompa ON/OFF göstergesi	215
9.2.6 Alarm göstergesi	215
9.2.7 Kuru çalışmaya karşı koruma (Dry running protection).....	215
9.2.8 Kaçaklara karşı koruma (ANTI-LEAKAGE).....	215
9.2.9 Max pump on	215
9.2.10 Basınç sensörü alarmı	215
9.3 İlk çalıştırma	215
9.3.1 Led lambaları testi	215
9.3.2 İlk kendinden emiş	215
9.4 CUT-OUT devre dışı iken normal işlemler (fabrika ayarı)	216
9.5 CUT-OUT etkin halde iken normal işlemler	216
10. TEDBİRLER	216
11. BAKIM VE TEMİZLİK.....	216
11.1 Emme filtresinin temizliği	216
11.2 Çek valf temizliği	216
12. ARIZA TESPİTİ	216
13. GARANTİ	217

UYARILAR



Kuruluma başlamadan önce tüm dokümantasyonu dikkatlice okuyunuz.



Herhangi bir işlemten önce fişi çekiniz. Pompanın kuru çalıştırılmasından kesinlikle kaçınılmalıdır.



Elektro pompayı bozuk hava durumlarından koruyunuz.



Aşırıyükten koruma. Pompa termik bir motor aşırı yük koruması ile donatılmıştır. Motorun aşırı ısınması durumunda motor aşırı yük koruması otomatik olarak pompayı kapatır. Soğuma süresi yaklaşık 15-20 dakikadır, daha sonra pompa otomatik olarak açılır. Motor aşırı yük korumasının müdahalesinden sonra duruş sebebinin kesinlikle araştırılması ve giderilmesi gerekir. Bakınız Arıza Araştırma.

1. UYGULAMALAR

Kendinden emişli jet santrifüj pompalar, gazlı suyun bulunduğu durumlarda bile mükemmel emme kabiliyeti var. Özüllikle, su temini ve kırsal alan basınçlandırma da kullanım için tavsiye edilir. Küçük tarım işlerinin yapılacağı tarla ve bahçeler için, evlerde acil durum ihtiyaçları ve her türlü hobi işleri için uygundur. Kompakt ve kullanışlı şekli sayesinde depolardan veya nehirlerden su çekilmesi gibi acil durumlarda taşınabilir pompa olarak da uygulama alanı bulmaktadır.

Wifi - Kablosuz Bağlantı - ile donatılmış ürün durumunda, hızlı kılavuza danışınız.



Bu pompalar, konuya ilişkin yürürlükte bulunan kaza önleme yönetmeliklerine göre havuzlarda, durgun sularda, içinde insan bulunan su havzalarında veya hidrokarbonların (benzin, gaz yağı, mazot, eritici sıvılar) pompalanması için kullanılamaz. Yerleştirilmeden önce temizlik prosedürü öngörmek iyi bir kural olacaktır. "Bakım ve Temizlik" bölümüne bakınız.

TÜRKÇE

2. POMPALANABİLİR SIVILAR

Temiz, katı veya aşındırıcı cisimleri bulunmayan, sert olmayan.

Tatlı sular	•
Yağmur suyu (filtrelenmiş)	•
Berrak atık sular	○
Pis sular	○
Çeşme suyu (filtrelenmiş)	•
Nehir veya göl suları (filtrelenmiş)	•
İçme suyu	•

Tablo 1

- Uygun
- Uygun değil

3. TEKNİK VERİLER VE KULLANIM SINIRLANDIRMALARI

- **Besleme gerilimi: 220-240V**, elektrik verileri etiketine bakınız.
- **Geciktirilmiş hat sigortaları (versiyon 220-240V):** Takribi değerler (Amper).
- **Depolama sıcaklığı: -10°C +40°C.**

Model	220-240V 50Hz hat sigortaları
P1= 850	4
P1= 1100	6
P1= 640	4
P1= 920	6

Tablo 2

	Model	P1=850	P1=1100	P1=640	P1=920
Elektrik verileri	P1 Nominal Çekilen güç [W]	850	1100	640	920
	P2 [W]	600	750	380	560
	Şebeke voltajı [V]	1~220-240 AC			
	Şebeke frekansı [Hz]	50			
	Akım [A]	3.88	4.58	3.10	4.20
	Kondansatör [μ F]	12.5	16	16	12.5
	Kondansatör [Vc]	450			
Hidrolik veriler	Maks. kapasite [l/dak]	3180	3750	3600	4800
	Maks. basma yüksekliği [m]	43	45	32	40
	Maks. basma basıncı [bar]	4.3	4.5	3.2	4.0
	Maks. basınç [bar]	6			
	Maks. emiş derinliği [m/min]	8m / <3min		6m / <3min	
Kullanım alanı	Besleme kablosu uzunluğu [m]	1.5			
	Kablo tipi	H07 RNF			
	Motor koruma derecesi	IP X4			
	İzolasyon sınıfı	F			
	Sıvı sıcaklık aralığı [°C] Evde kullanım için EN 60335-2-41 standardına	0 °C / +35 °C			
	Maks. partikül ebatı [mm]	Temiz su			
	Maks. Ortam sıcaklığı [°C]	+40 °C			
Ağırlık	DNM GAS	1" M			
	Net/Brüt ağırlık yaklaşık [kg]	9.6/11.8	10.3/12.5	10.1/12.1	10.9/12.9

Tablo 3



Pompa, farklı bir şekilde desteklenmesi gereken boruların ağırlığını taşıyamaz.

4. İŞLETME

4.1 Depolama

Tüm pompalar kapalı, kuru ve hava nemi mümkün olduğunca sabit olan, titreşim ve toz bulundurmeyen mekânlarda depolanmalıdır. Kurulma anına kadar içinde kalmaları gereken orijinal ambalajları içinde teslim edilirler.

4.2 Nakledilme

Ürünlerin gereksiz darbe ve çarpışmalara maruz kalmasından kaçınınız.

4.3 Ağırlık ve ölçüler

Ambalaj üzerindeki yapışkan etikette elektro pompanın toplam ağırlığı ve ebatları yer almaktadır.

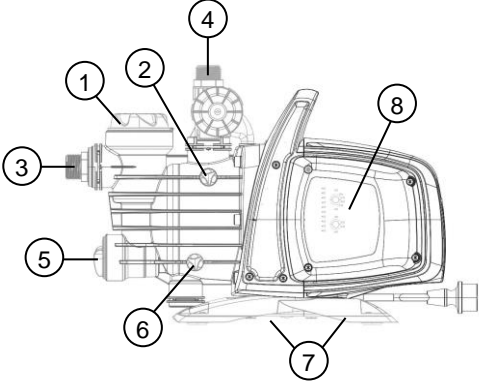
5. UYARILAR



Pompalar kesinlikle besleme kablosu kullanılarak asılı halde taşınmamalı, kaldırılmamalı veya çalıştırılmamalıdır; hususi kolu kullanınız.

- Pompa asla kuru çalıştırılmamalıdır. • İmalatçı Firma, pompanın kurcalanmış veya tadil.
- Havalandırma/tahliye tapalarının (2 ve 6) aşırı kuvvet uygulamadan açılması/kapatılması önemle tavsiye edilir.

6. KURMA



1. Ön filtre
2. Hava boşaltma tıpası
3. Ayarlanabilir emme bağlantısı
4. Besleme bağlantısı
5. Entegre edilmiş çek valf
6. Boşaltma tıpası
7. Titreşim önleyici kauçuk ayaklar
8. Elektronik işletim arayüzü

Elektro pompa hava şartlarından korunaklı ve sıcaklığı 40°C'yi aşmayan bir yere kurulmalıdır.

Pompa titreşim önleyici ayarlarla donatılmıştır fakat sabit kurulum söz konusu olduğunda bu ayakları çıkarmak ve dayama temeline ankarajlamak mümkündür (7).

Deformasyon ya da bozuklukların oluşmaması için boruların pompa ağızlıklarına aşırı yük aktarmasını önleyiniz (3) ve (4).

Pompayı pompalanacak sıvıya mümkün olduğu kadar yakın bir yerde yerleştiriniz.

Pompa yalnızca yatay durumda yerleştirilmelidir.

Boruların iç çapı kesinlikle elektro pompanın emişteki ağızlık çaplarından daha küçük olmamalıdır ve pompa filtre (1) ve çek valf (NRV) (5) ile donatılmıştır.

Emme derinliği dört metreyi aşarsa ya da uzun yatay borular halinde çapı elektrikli pompanın emme ağız çapından büyük olan bir emme borusunun kullanılması tavsiye edilir. Emme borusunun içinde hava heybelerinin oluşmasını önlemek için emme borusunu elektrikli pompaya doğru biraz eğiniz. Şekil 2

Emiş borularının lastik veya fleksi bir malzemeden olması durumunda emişin etkisiyle büzülmesini engellemek için her zaman vakuma dayanıklı bir şekilde güçlendirilmiş tip olduğunu kontrol ediniz.

Sabit kurulum yapılması durumunda gerek emiş gerekse besleme tarafına bir valf monte edilmesi tavsiye edilir. Bu valf, tüm bakım ve temizlik işlemleri için veya pompanın kullanılmadığı zamanlarda pompanın yararlı aşığı ve/veya yukarı hattının kapatılmasını sağlar. Pompa kurulumunu kolaylaştırmak için döner girişle donatılmıştır (3) ve (4).

Fleksi boruların kullanılması durumunda gerekirse şek.1'deki gibi kavis parça ve PE (polietilen) hortumlardan oluşan bahçe kitini ve marpuçlu rekor kitini kullanınız, bunlar tedarikle birlikte verilmez fakat ayrıca satın alınabilir.

Küçük ebatlardaki pislik olması durumunda pompa girişine entegre edilmiş filtreden (1) başka bir filtre takılması tavsiye edilir.

- Motoru aşırı çalıştırma/uzun çalışma saatlerine maruz bırakmayınız, kesinlikle 20 çalıştırma/saati geçmemelidir.



Emiş borusunun çapı elektro pompa ağız çapından daha büyük veya aynı olmalıdır, bakınız Tablo 3.

7. ELEKTRİK BAĞLANTISI



Beslenecek motorun etikette yazılı gerilimi ile elektrik şebeke geriliminin birbirlerine uygun olduklarını, ETKİLİ BİR TOPRAK BAĞLANTISINI GERÇEKLEŞTİRMENİN MÜMKÜN OLDUĞUNU kontrol ediniz. Teknik etikette ve bu kılavuzdaki Tablo 3'de yer alan gösterge değerlerine uyunuz.

Pompa üzerindeki besleme kablosunun uzunluğu kurulum mesafesini sınırlandırır, uzatma kablosu kullanılması gerektiğinde aynı tip kablo olduğundan emin olunuz (kurulumla göre örn.H05 RN-F veya H07 RN-F) bakınız tablo 3.

8. ÇALIŞTIRMA



Tamamen sıvı ile doldurmadan hava boşaltma tıpasından dışarıya çıkıncaya kadar -yaklaşık 4 litre- pompayı çalıştırmayınız (2).

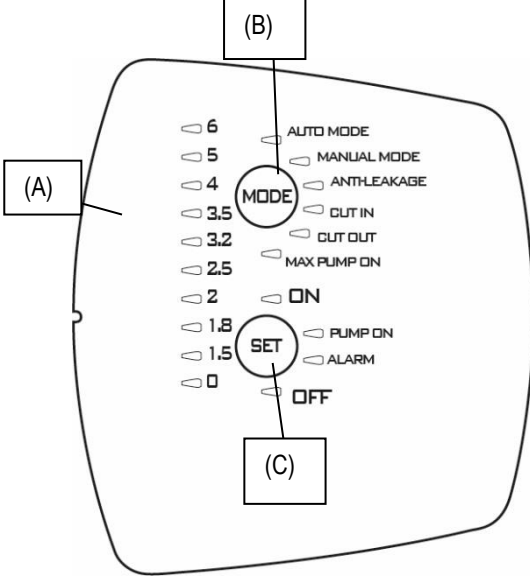
Su kaynağının bitmesi durumunda pompayı kapatarak hemen fişi çekiniz. Kuru çalışmayı önleyiniz.

1. Çalıştırmaya başlamadan önce pompanın elle veya tedarik ile birlikte verilen özel araç yardımıyla şeffaf filtrenin boşaltma tıpasını (1) çıkardıktan sonra hususi deliğinden temiz su ile düzgün bir şekilde ve tamamen doldurulduğunu kontrol ediniz. Aynı zamanda hava çıkması için hava boşaltma tıpasını (2) açınız. Bu işlem, pompanın mükemmel çalışması ve mekanik keçenin iyice yağlanmış olmaya devam etmesi için son derece önemlidir. **Pompa susuz çalıştırılarak mekanik keçeye onarılamaz zararlar verilebilir.**
2. Doldurma tıpası stop'a (1) kadar dikkatli bir şekilde tekrar vidalanarak kapatılmalıdır ve yine aynı şekilde hava boşaltma tıpası da sıkılmalıdır.
3. Besleme kablosunun fişini 220-240V'luk bir prize takınız. **Dikkat!** Pompa motoru hemen harekete geçecektir, su seviyesinin, kuyunun veya sarnıcın derinliğine bağlı olarak en fazla 3 dakikalık süre geçtikten sonra su çıkmaya başlayacaktır.
4. Pompa çalışmaya ve su dağıtmaya devam edecektir. **Dikkat!** Kuru çalışmayı önleyiniz.
5. Pompayı kapatmak için besleme kablosunun fişini çekiniz.



Besleme konusunda sorunlarınız varsa, emişteki tüm hava kaybolana dek işlemi tekrar edin.

9. ELEKTRONİK İŞLETİM ARAYÜZÜ



9.1 Özelliklere genel bakış

Açıklama	Parametreler
Kart voltajı, frekansı	1x220-240V, 50/60 Hz
Gerilim On/Off göstergesi	●
Motor On/Off göstergesi	●
Alarm göstergesi	●
Basınç göstergesi	●
Mod göstergesi	●
Oto. Mod	●
Manüel Mod	○
Kuru çalışmaya karşı koruma	●
Kaçacağı karşı koruma	○
Maks. süre pompa açık koruması	○ (30 dakika)
Devreye girme basıncı	○ Değişken (1,5 – 3,0 bar)
Devreden çıkma basıncı	○ (Devreye girme basıncı + 1 bar)
Kendinden emiş	●
Seçme düğmesi	●

● = Sabit; ○ = Seçilebilir

9.1.1 Ekran açıklaması:

(A) Led basınç göstergeleri

0'dan 6 bar'a kadar basıncı gösteren 10 Led kullanılır. Sistemde basınç değiştiğinde led lambalar yanar ve sonrasında kapanır.

Fonksiyon	Ekran konfigürasyonu	Set	Alarm Reset
Auto Mode		ON: Etkinleştirir OFF: Devre dışı bırakır	
Manual mode		ON: Etkinleştirir OFF: Devre dışı bırakır	
Anti-leakage		ON: Etkinleştirildi OFF: Devre dışı	SET'e basınız
Cut in		Arttırır/Azaltır	
Cut out		Arttırır/Azaltır OFF: devre dışı	
Max pump on		ON: etkinleştirildi OFF: devre dışı	SET'e basınız

(B) MOD seçim düğmesi

Seçilebilir çalışma modu:

- | | |
|-------------------|-----------------|
| 1) AUTO_MODE; | 4) CUT_IN; |
| 2) MANUAL_MODE; | 5) CUT_OUT; |
| 3) ANTI LEACKAGE; | 6) MAX_PUMP_ON; |

Fonksiyonellik tercihini açmak için "MODE" (MOD) üzerindeki "MODE" tuşuna 5 saniye basınız.

Farklı çalışma modları (AUTO_MODE veya MANUAL_MODE) arasında gezinti yapmak veya parametreleri (CUT IN ve CUT OUT) değiştirmek veyahut bazı fonksiyonları (ANTI-LEAKAGE ve MAX PUMP ON) etkinleştirmek için "MODE"ya basınız. Bu gezinti esnasında fonksiyon led lambası yanıp sönecektir. AUTO_MODE (Otomatik mod)'a döndükten sonra aktif fonksiyonlar sabit yanan ilgili Led lambaları ile belirtilecektir. Bakınız paragraf 2 (Fonksiyon açıklamaları).

"MODE" üzerindeki göstergeler**AUTO_MODE:** Pompa otomatik olarak çalışacaktır, bakınız 9.2.1**MANUAL_MODE:** Pompa manüel modda çalışır, bakınız 9.2.1, "SET" düğmesini kullanarak ne zaman açılıp ne zaman kapanacağına kullanıcı karar verir. SET-ON açık SET-OFF kapalı.**CUT-IN:** Basınç ayarı (her zaman etkin), pompanın aktif olduğu basıncın altındaki minimum basınç 1.5 ila 3.0 bar arasında ayarlanabilir, fabrika ayarı 1.8 bar'dır; pompa, fabrika ayarlarında akış min. 1.5 l/dak. değerinin altında olsa dahi çalışır.**CUT_OUT:** Basınç ayarı (devre dışıdır), pompanın durduğu basıncın üzerindeki basınçtır, fabrika ayarlarında "CUT-IN" (devreye girme basıncı) + 1 Led olarak ayarlanmıştır fakat 3.5 bar'a (50.8 psi) kadar arttırılabilir.

Etkinleştirmek için CUT-OUT'un ilgili led lambası yanıp sönmeye başlayınca kadar "MODE"ya basarak fonksiyonu seçiniz, sonra:

- 1) Fonksiyonu serbest kılmak için **10 saniye boyunca** SET tuşuna basın (bu noktada, LED ışıkları basınç değerleri üzerinde yanacaktır).
- 2) İstenen değeri seçmek için SET tuşuna basın.
- 3) Fonksiyonu devre dışı bırakmak için, cut-out değerini 0 [bar veya psi] üzerinde konumlandırın.
- 4) MODE tuşuna basarak ayarlama için çıkın.

ÖNEMLİ NOT: CUT-OUT değeri SADECE, SET tuşuna 10 saniye boyunca basarak fonksiyon serbest kılındıktan sonra tadil edilebilir. Herhangi bir butona basmadan 1 saniye geçtikten sonra, fonksiyon yeniden kilitlenecektir.

ANTI LEACKAGE: Kaçağa karşı korumadır. Bu fonksiyon etkinleştirilebilir veya devre dışı bırakılabilir. Fabrika ayarlarında devre dışıdır. Etkinleştirildiğinde pompanın 2 dakika içinde 6 kezden fazla devreye girdiğini tespit ederse duracaktır ve "ALARM" üzerindeki LED kırmızı renkli olarak yavaşça yanıp sönmeye başlayacaktır.

Etkinleştirmek için ilgili led lambası yanıp sönmeye başlayınca kadar "MODE"ya basarak fonksiyonu seçiniz, daha sonra "ON" led lambası yanınca kadar SET'e basınız. Devre dışı bırakmak için yanan lamba OFF'u işaret edinceye kadar SET'e basınız.

Nedeni giderildikten sonra eğer varsa alarmı resetleyiniz, bakınız 9.2.3.

MAX PUMP ON: Maksimum çalışma süresidir. Bu fonksiyon etkinleştirilebilir veya devre dışı bırakılabilir. Fabrika ayarlarında devre dışıdır. Etkinleştirildiğinde, eğer pompanın 30 dakikadan fazla çalıştığını tespit ederse duracaktır ve herhangi bir hata sinyali çıkmayacaktır.

Bu fonksiyon, kazara musluk açık unutulmuş ise, borularda kırılma varsa veya sulama uygulamalarında kurulumu korumak için kullanılır.

Etkinleştirmek için MAX PUMP ON ilgili led lambası yanınca kadar "MODE"ya basarak fonksiyonu seçiniz, daha sonra "ON" led lambası yanınca kadar SET'e basınız. Devre dışı bırakmak için yanan lamba OFF'u işaret edinceye kadar SET'e basınız.

(C) SET seçim düğmesi

Seçilebilir çalışma modu

- 1) Alarmları resetler,
- 2) MOD'da MAX_PUMP_ON, ANTILEACKAGE fonksiyonlarını etkinleştirir / devre dışı bırakır,
- 3) MOD'da CUT_IN; CUT_OUT parametrelerini artırır,
- 4) MANÜEL MOD'da motoru açar ve kapatır (ON/OFF),
- 5) OTOMATİK MOD'da pompayı aktif hale veya standby haline getirir.

Parametreleri değiştirmek için "SET"e basınız. Led'in MODE-CUT IN veya MODE-CUT OUT üzerine yanıyor olması durumunda değer basınç göstergesi led barasının üzerinde gösterilecektir. "SET"e basıldığında değer artacaktır. İstenilen değer set edildikten sonra "MODE"ya basarak ve MODE-AUTO ve SET "ON" üzerinde led etkinleştirildi hale gelince değişiklikten çıkınız.

Anti-leakage (kaçak önleme) ve Max pump On (Maks. süre pompa açık) fonksiyonlarını etkinleştirmek/devre dışı bırakmak için de SET'e basınız. "MODE" düğmesi ile fonksiyonu seçtikten sonra SET-ON'u seçerek etkinleştiriniz; devre dışı bırakmak için SET-OFF'u seçiniz.

"MANÜEL" modunda SET düğmesi pompanın açılıp kapanmasına yarar, led "ON" veya "OFF" üzerinde yanar.

Otomatik modda (AUTO-MODE) "ON" komutu etkinleştirmek veya standby için "OFF" komutu kullanılır.

PUMP ON: Çalışan motorla örtüşen bir göstergedir.

9.2 Fonksiyon tanımları

9.2.1 Pompa ON/OFF (AUTO MODE, MANUAL MODE)

Cut out/Devre dışı bırakma etkin değil → Fiş takıldıktan sonra led lambalar üzerindeki testten sonra pompa 10 saniye kadar açılır. Cut out /Devre dışı bırakma etkin → Fiş takıldıktan sonra ilk 3 saniyede led lambaları testi yapılır (0 no.lu led yanıyor iken voltaj olduğunu gösterir) ve varsayılan olarak "AUTO MODE" set edilir, ikaz lambası "ON" üzerinde yanar. Basınç CUT-IN değerinin altında ve akış minimum cut-in akışının altında ise pompa çalışmaya başlayacaktır. Pompa, basınç CUT-OUT değerinin altına ininceye kadar, akıştan bağımsız olarak kapanma değerine vardığında çalışmaya devam edecektir.

"MANUAL MODE" seçildiğinde ise "mode" düğmesine bir kez basıldığında pompa çalışmaya ve "ON" üzerindeki led yanmaya başlar, tam tersi "SET" düğmesine basıldığında pompa kapanır ve "OFF" üzerindeki led yanmaya başlar.

Pompa çalışmaya başladığında KENDİNDEN EMİŞ moduna geçecektir.

Önemli Not: Kurulum talimatlarına uyulduğundan ve pompanın tamamen su ile doldurulduğundan emin olunuz.

9.2.2 Kendinden emiş aşaması

Pompa çalışmaya başladığında kendinden emiş aşamasına geçecektir. Bu aşama boyunca akış ve basınç algılanmaz ise motoru 3 dakika açık tutacaktır ve daha sonra kuru çalışma alarmına geçecektir. Bu süre içinde akış veya basınç algılanırsa kendinden emiş yapılacaktır ve pompa normal bir şekilde çalışacaktır.

9.2.3 Alarm reset

Bir alarm meydana geldiğinde "ALARM" üzerindeki kırmızı uyarı ışığı yanacaktır. Alarm "SET" düğmesine bir kez basılarak resetlenir; alarmın meydana gelmesine sebep olan neden ortadan kaldırılmış ise normal çalışmasına devam eder. Aksi halde pompa tekrar alarma geçer.

9.2.4 Gerilim ON/OFF göstergesi

Eğer gerilim varsa Led barasındaki 0 basınç Led'i yanar. Eğer gerilim yoksa Led sönük kalacaktır.

Önemli not: Uzun süre çalışmadan kalacaksa fişi çekmek suretiyle gerilimin kesilmesi tavsiye edilir.

9.2.5 Pompa ON/OFF göstergesi

Motor çalışırken, çalıştığını göstermek için "PUMP ON" üzerindeki mavi ışık yanıyor olmalıdır. Motor durduğunda bu Led sönecektir.

9.2.6 Alarm göstergesi

Bir alarm olduğunda sabit yanar kırmızı lamba veya "ALARM" üzerindeki lamba aktif olur.

Kuru çalışma (Dry-running): Sabit kırmızı lamba

Kaçak (Leakage): Ağır titreşim

Pompa maks. ON (30 dakikadan fazla çalışmış pompa): Dahazunduraklama aralıklı 2 hızlanıp sönme.

Alarmları resetlemek için "SET" ebasınız.

9.2.7 Kuru çalışmaya karşı koruma (Dry running protection)

Pompa kuru çalışıyorsa birkaç saniye (40 saniye) sonra durur ve "ALARM" üzerinde kırmızı uyarı ışığı sabit yanmaya başlayarak hatayı gösterir.

Pompanın OFF durumuna geçtiği ilk 30 dakikalık süre dolduktan sonra 5 dakika süren yeni bir çalışmaya başlama denemesi yapar.

Bu deneme de başarısız olursa maksimum 48 defaya kadar her 30 dakikada bir yeni deneme yapılır. Tüm bu denemeler başarısız olursa deneme her 24 saatte bir yapılacaktır.

Cihaz, akış ve/veya basınç varsa otomatik olarak kuru çalışma alarmından çıkar.

Alarm resetlenirse, bakınız 9.2.3, 40 saniye için yeni deneme yapılacaktır.

Nedenleri ortadan kaldırınız ve alarmı resetleyiniz, bakınız 9.2.3.

9.2.8 Kaçaklara karşı koruma (ANTI-LEAKAGE)

Bu fonksiyon etkinleştirilebilir veya devre dışı bırakılabilir, fabrika ayarı olarak devre dışı bırakılmıştır. Etkinleştirildiğinde pompanın 2 dakika içinde 6 kezden fazla devreye girdiğini tespit ederse duracaktır ve "ALARM" üzerindeki LED kırmızı renkli olarak yavaşça yanıp sönerken hata bildirecektir.

Nedenleri ortadan kaldırınız ve alarmı resetleyiniz, bakınız 9.2.3.

Etkinleştirme prosedürü için bakınız Anti-leakage.

9.2.9 Max pump on

Maksimum çalışma süresidir. Bu fonksiyon etkinleştirilebilir veya devre dışı bırakılabilir. Fabrikadan devre dışı olarak gelir. Etkinleştirildiğinde, eğer pompanın 30 dakikadan fazla çalıştığını tespit ederse duracaktır ve ALARM üzerinde yanıp sönen bir sinyal verecektir.

Bu fonksiyon, kazara musluk açık unutulmuş ise, borularda kırılma varsa veya sulama uygulamalarında kurulumu korumak için kullanılır.

9.2.10 Basınç sensörü alarmı

Basınç değeri çalışma aralığının dışında ise (0-15 bar) cihaz basınç sensörü alarmına geçer. Pompa kapanır, basınç koşulları çalışma değerleri aralığına girer girmez hata resetlenir.

9.3 İlk çalıştırma

9.3.1 Led lambaları testi

İlk çalıştırmada veya her halükarda elektrik fişi takıldıktan sonra tüm led'ler sırasıyla yanması boyunca birkaç saniye 20 LED üzerinde Test yapılır.

9.3.2 İlk kendinden emiş

Pompa otomatik olarak AUTO modda ve ON üzerine set edilmiş olacaktır.

Üç durum gözlenebilir:

TÜRKÇE

- 1) Akış var ama basınç düşük: Kendinden emiş aşamasından çıkar ve normal çalışma başlar.
- 2) Basınç var ama akış yok: Bu durumda 10 saniye kaldıktan sonra pompa kapanır.
- 3) Herhangi bir akış ve basınç yok: Pompa kapanır ve yaklaşık 3 dakika sonra SET-ALARM'da kırmızı led lambanın yanmasıyla sinyal vererek kuru çalışma hatası meydana gelir. Nedeni ortadan kaldırdığınız ve alarmı resetleyiniz, bakınız 9.2.3.

9.4 CUT-OUT devre dışı iken normal işlemler (fabrika ayarı)

Cut-out parametresinin devre dışı olması aşağıdaki durumların görülebilir olması demektir:

- Akış varsa, basınç yoksa veya basınç CUT IN (10 ms) değerinin altında ise pompa aktif olur.
- Basınç var ama 10 saniyede bir sürekli olarak akış eksiliyor durumu söz konusu ise pompa durur.

Normal çalışma esnasında CUT OUT (devreden çıkma) led lambası sönmek olacaktır. Ayar değişikliği için bakınız 9.1.1.B.

9.5 CUT-OUT etkin halde iken normal işlemler

Cut-out parametresinin etkin olması aşağıdaki durumların görülebilir olması demektir:

- Basınç, CUT IN (devreye girme) basıncından daha düşük ise pompa devreye girer.
- Basınç, CUT OUT (devreden çıkma) basıncından daha yüksek ise pompa durur.

Normal çalışma esnasında CUT OUT (devreden çıkma) led lambası yanıyor olacaktır. Ayar değişikliği için bakınız 9.1.1.B.

10. TEDBİRLER

DONMA TEHLİKESİ: Pompa 0°C derece altında sıcaklıklarda çalışmadan kaldığında, donduklarında plastik kısımlarının çatlamasına sebep olabilecek su artıklarının bulunmadığının kontrol edilmesi zorunludur.

Pompanın birikme eğilimi gösteren maddelerle kullanılmış olması halinde, pompanın özelliklerini azaltma eğilimi gösteren birikintilerin veya tufalların oluşmasını önlemek üzere kullanımdan sonra pompayı kuvvetli bir su jeti ile durulayınız.

11. BAKIM VE TEMİZLİK

Normal işlemede elektro pompanın herhangi bir tip bakıma ihtiyacı yoktur. Her halükarda tüm onarım ve bakım müdahaleleri sadece pompanın besleme şebekesi ile bağlantısı kesildikten sonra yapılmalıdır. Tekrar başlatıldığında eşyaların ve kişilerin zarar görmemesi için pompanın tam olarak monte edilmiş olduğundan emin olunuz.

11.1 Emme filtresinin temizliği (Şek 3)

- Pompanın elektrik beslemesini devreden çıkarınız.
- Öncelikle yukarı hatta bulunan savak vanalarını (varsa) kapatarak boşaltma tıpasını (6) açınız ve pompanın drenajını yapınız.
- Elle veya tedarik ile birlikte verilen özel aksesuar yardımıyla filtre bölmesinin kapağını açınız.
- Üstten filtre ünitesini çıkarınız.
- Bardağı akan suda durulayınız ve yumuşak bir fırça ile filtreyi temizleyiniz.
- İşlem sırasını tersten izleyerek filtreyi tekrar monte ediniz.

11.2 Çek valf temizliği (Şek 4)

- Pompanın elektrik beslemesini devreden çıkarınız.
- Tedarik ile birlikte verilen özel aksesuar yardımıyla çek valfin tıpasını (5) çıkarınız.
- Çekvalfi çıkarınız ve pislik varsa temizleyiniz.
- Parçaları sökme işlemini ters sırayla izleyerek tekrar yerine monte ediniz.

12. ARIZA TESPİTİ



Arızanın araştırmasına başlamadan önce pompanın elektrik bağlantısının kesilmesi gerekir (fişi prizden çekiniz). Besleme kablosu veya pompanın herhangi bir elektrik aksamı zarar görmüş ise onarım veya parça değiştirme işlemi İmalatçı veya imalatçının teknik servisi veya her türlü riski önleyecek şekilde bilgi donanımına sahip kalifiye kişiler tarafından yapılmalıdır.

ARIZA	KONTROL (mümkün sebepler)	ÇÖZÜM
1. Motor hareket etmiyor ve gürültü yapmıyor.	A. Pompanın elektrikle bağlantılarını kontrol ediniz. B. Gerilimin olduğunu kontrol ediniz. C. Sigortaları kontrol ediniz. D. Olası termik koruma müdahalesi.	C. Sigortalar yanmış ise yenisi ile değiştirilecektir. D. Motor soğuyuncaya kadar yaklaşık 20 dakika bekleyiniz. Nedenini tespit ediniz ve gideriniz. Buna rağmen sigortalar hemen yanarsa motor kısa devre durumunda bulunur.
2. Motor hareket etmemesine rağmen gürültü yapıyor.	A. Etiketde yazılı gerilim ile besleme geriliminin birbirlerine uygun olduklarını kontrol ediniz. B. Pompanın veya motorun tıkanıklıklarının bulunup bulunmadığını kontrol ediniz. C. Milin bloke etmemiş olduğunu kontrol ediniz.	B. Sıkışıklığı gideriniz.

TÜRKÇE

		<p>C. Kapağı gevşetmek için tedarik ile birlikte verilen aleti kullanınız ve bir tornavida ile de mili gevşetiniz.</p> <p>D. Kondansatörü yenisi ile değiştiriniz.</p>
3. Motor güçlükle dönüyor.	<p>A. Besleme geriliminin yetersiz olmadığını kontrol ediniz.</p> <p>B. Hareketli parçaların sabit parçalara dokunup dokunmadığını kontrol ediniz.</p>	<p>B. Temasının sebeplerini ortadan kaldırınız..</p>
4. Pompa dağıtım yapmıyor.	<p>A. Pompa, doğru biçimde çalışmaya hazır değildir.</p> <p>B. Çapı yetersiz olan bir emme borusu kullanılıyor.</p> <p>C. Çek valf veya filtre tıkalı.</p>	<p>A. Pompayı suyla doldurunuz ve hava boşaltma tıpasını gevşeterek havanın çıkmasına dikkat ederek emiş işlemi gerçekleştiriniz.</p> <p>B. Emme borusunu daha büyük çapı olan yenisi ile değiştiriniz.</p> <p>C. Filtreyi tekrar temizleyiniz ve yeterli değilse çek valfi de temizleyiniz.</p>
5. Pompa su ile dolmuyor.	<p>A. Emiş borusu vasıtasıyla hava emişi.</p> <p>B. Emme borusunun eğimi hava kabarcık oluşumunu kolaylaştırıyor.</p>	<p>A. Bağlantıların ve emiş borularının sızdırmazlığını kontrol ederek nedeni ortadan kaldırınız ve emiş işlemi tekrar ediniz.</p> <p>B. Emme borusunun eğimini düzeltini.</p>
6. Debi indirimlidir.	<p>A. Emiş borusu tıkalı.</p> <p>B. Pompa dişlisi aşınmış veya tıkanıktır.</p> <p>C. Emme borunun çapı çok küçüktür.</p>	<p>A. Emiş borusunu tekrar temizleyiniz.</p> <p>B. Pompa dişlisini yenisi ile değiştirin veya tıkanıklıklardan temizleyiniz.</p> <p>C. Boruyu daha büyük çapı olan yenisi ile değiştiriniz.</p>
7. Pompa gürültü yaparak titriyor.	<p>A. Pompa ve boruların iyi bir biçimde tespit edildiğini kontrol ediniz.</p> <p>B. Pompa, kavitasyon olaylarıyla çalışıyor, yani pompalayabildiği su miktarından daha çok su istiyor.</p> <p>C. Pompa etikette gösterilen değerlere özen gösterilmediği bir durumda çalışıyor.</p>	<p>A. Gevşetilmiş parçaları tespit ediniz.</p> <p>B. Emme yüksekliğini azaltıp yüklemeye kaçırılmalarını kontrol ediniz.</p> <p>C. Basma hattında pompanın dağıtımını azaltma yararlı olabilir.</p>

13. GARANTİ



Önceden izin verilmemiş olan her türlü değişiklik, üreticiyi her tür sorumluluktan muaf kılar. Onarımlarda kullanılan tüm yedek parçaların orijinal olması gerekir ve tüm akse-suarlar, üzerlerine takılabilecekleri makinelerin ve tesislerin maksimum güvenliğini garanti edebilecek şekilde üre-tici tarafından onaylanmış olmalıdır.

Bu ürün, fabrikasyon hatası veya kullanılan malzemenin kusurlu olmasına karşı yasal garanti (Avrupa Birliğinde satın alınmasından itibaren 24 ay) kapsamındadır. Garanti kapsamındaki ürün aşağıdaki koşulları karşılaması durumunda takdire göre mükemmel durumdaki yeni bir ürün ile değiştirilebilir veya ücretsiz olarak onarımı sağlanabilir:

- ürün doğru ve talimatlara uygun bir şekilde çalıştırılmış olmalıdır ve satın alan kişiler veya üçüncü şahıslar tarafından tamir edilmeye çalışılmamış olmalıdır.
- Ürün, satın alındığını kanıtlayan belge (fatura veya resmi fiş) eklenerek ve karşılaşılan sorunun kısa bir açıklaması ile birlikte satış noktasına teslim edilmelidir.

Çark ve aşınmaya maruz parçalar garanti kapsamında değildir. Garanti kapsamında yapılan herhangi bir müdahale garanti süresini uzatmaz.

ЗМІСТ

1. ЗАСТОСУВАННЯ	218
2. ТИП РІДИНИ ДЛЯ ПЕРЕКАЧУВАННЯ	219
3. ТЕХНІЧНІ ХАРАКТЕРИСТИКИ ТА ЕКСПЛУАТАЦІЙНІ ОБМЕЖЕННЯ	219
4. ПРИЙНЯТТЯ ТА ЗБЕРІГАННЯ	219
4.1 Прийняття на зберігання	219
4.2 Транспортування	219
4.3 Вага та розміри	219
5. ЗАСТЕРЕЖЕННЯ	219
6. УСТАНОВКА	220
7. ЕЛЕКТРИЧНЕ ПІДКЛЮЧЕННЯ	220
8. ПОЧАТОК РОБОТИ	220
9. ІНТЕРФЕЙС ЕЛЕКТРОННОГО УПРАВЛІННЯ	221
9.1 Огляд характеристик	221
9.1.1 Описання дисплею:.....	221
9.2 Описання функцій.....	223
9.2.1 Насос ВВІМКН/ВИМКН (AUTO MODE, MANUAL MODE).....	223
9.2.2 Фаза заливання	223
9.2.3 Скидання тривоги	223
9.2.4 Показчик тиску ВВІМКН/ВИМКН.....	223
9.2.5 Показчик насосу Ввімкн/Вимкн	223
9.2.6 Показчик тривоги	223
9.2.7 Захист від роботи "всуху" (Dry running protection).....	223
9.2.8 Захист проти витоків (ANTI-LEAKAGE)	223
9.2.9 Max pump on	223
9.2.10 Тривога датчика тиску	224
9.3 Перший пуск.....	224
9.3.1 Перевірка світлодіодів	224
9.3.2 Перше заливання.....	224
9.4 Нормальна робота з дезактивованою функцією CUT-OUT (від виробника)	224
9.5 Нормальна робота з задіяною функцією CUT-OUT	224
10. ЗАСТЕРЕЖНІ ЗАХОДИ	224
11. ДОГЛЯД ТА ТЕХНІЧНЕ ОБСЛУГОВУВАННЯ	224
11.1 Чистка всмоктувального фільтра (Мал.3).....	224
11.2 Чистка НПК (Мал.4)	224
12. ПОШУК	224
13. ГАРАНТІЯ	225

ЗАСТЕРЕЖЕННЯ



Перед початком установки уважно ознайомитися з усією документацією.



Перед початком будь-яких робіт з обслуговування витягти вилку з розетки. Категорично забороняється робота насоса "всуху";



Захищати насос від негативного впливу непогоди та інших природних явищ.



Захист від перевантаження. Насос устаткований аварійним тепло-вимикачем двигуна. У випадку перегрівання двигуна аварійний вимикач автоматично вимикає насос. Для охолодження двигуна необхідно приблизно 15-20 хв., після чого насос знову вмикається автоматично. Після активації аварійного вимикача необхідно обов'язково виявити та усунути її причину. Див. "Пошук неполадок".

1. ЗАСТОСУВАННЯ

Струменево-відцентрові самовсмоктуючі насоси з відмінними всмоктувальними характеристиками, в тому числі і в присутності газованої води. Призначені зокрема для водопостачання та підвищення тиску в житлових будинках. Можуть використовуватися для зрошення та поливу городів та садів незначних розмірів, в аварійних ситуаціях побутового рівня та робіт для дозвілля в цілому. Завдяки компактній, зручній для переміщення формі ці насоси застосовуються для різних призначень, в тому числі і як аварійні портативні насоси для викачування води з резервуарів або водоймищ.

Якщо виріб забезпечений Wifi, зверніться до стислого керівництва.



Ці насоси не можна використовувати в басейнах, ставках, водоймищах у присутності людей, а також для перекачування паливних та горючих матеріалів (бензину, дизельного палива, горючих масел, розчинників та ін.) згідно відповідних норм з техніки безпеки чинного законодавства. Після їх використання, перед тим, як покласти їх на зберігання, рекомендується провести ретельний огляд та чистку. Див. розділ "Догляд та технічне обслуговування".

2. ТИП РІДИНИ ДЛЯ ПЕРЕКАЧУВАННЯ

Чиста, без твердих або абразивних частинок, не агресивна.

Чиста вода	•
Дощова вода (фільтрована)	•
Очищена стічна вода	○
Брудна вода	○
Колодязна вода (фільтрована)	•
Вода з річки або озера (фільтрована)	•
Питна вода	•

Таблиця 1

- Призначений
- Не призначений

3. ТЕХНІЧНІ ХАРАКТЕРИСТИКИ ТА ЕКСПЛУАТАЦІЙНІ ОБМЕЖЕННЯ

- **Напруга живлення: 220-240В**, див. паспортну таблицю.
- **Лінійні запобіжники з затримкою дії (версія 220-240В):** індикативні значення (Ампер).
- **Температура зберігання:** від -10°C до +40°C.

Модель	Лінійні плавкі запобіжники 220-240В 50 Гц
P1= 850	4
P1= 1100	6
P1= 640	4
P1= 920	6

Таблиця 2

	Модель	P1=850	P1=1100	P1=640	P1=920
Електричні характеристики	P1 Номінальна споживана потужність [Вт]	850	1100	640	920
	P2 [W]	600	750	380	560
	Напруга мережі [В]	1~220-240 AC			
	Частота мережі [Гц]	50			
	Струм [А]	3.88	4.58	3.10	4.20
	Конденсатор [µF]	12.5	16	16	12.5
	Конденсатор [Vc]	450			
Гідрравлічні характеристики	Максим. подача [л/хв.]	3180	3750	3600	4800
	Максим. висота напору [м]	43	45	32	40
	Максим. висота напору [бар]	4.3	4.5	3.2	4.0
	Максим. тиск [бар]	6			
	Максим. глибина всмоктування [м/хв.]	8m / <3min		6m / <3min	
Сфера застосування	Довжина кабелю живлення [м]	1.5			
	Тип кабелю	H07 RNF			
	Ступінь захисту двигуна	IP X4			
	Клас ізоляції	F			
	Діапазон температури рідини [°C] згідно EN 60335-2-41 для побутового застосування	0 °C / +35 °C			
	Максим. розмір домішок [мм]	чиста вода			
	Максим. температура середовища [°C]	+40 °C			
Вага	DNM GAS	1" M			
	Вага, нетто/брутто, прибл. [кг]	9.6/11.8	10.3/12.5	10.1/12.1	10.9/12.9

Таблиця 3



Насос не в змозі утримувати вагу всіх трубопроводів, слід забезпечити утримання трубопроводів іншим способом.

4. ПРИЙНЯТТЯ ТА ЗБЕРІГАННЯ

4.1 Прийняття на зберігання

Всі насоси слід зберігати в сухому закритому приміщенні, зі сталим рівнем вологості, без вібрацій та пилу. Насоси поставляються у відповідній упаковці, в якій їх слід зберігати до моменту установки.

4.2 Транспортування

Берегти від ударів та зіткнень.

4.3 Вага та розміри

На упаковку наноситься клейка табличка, на якій вказані загальна вага насосу та його розміри.

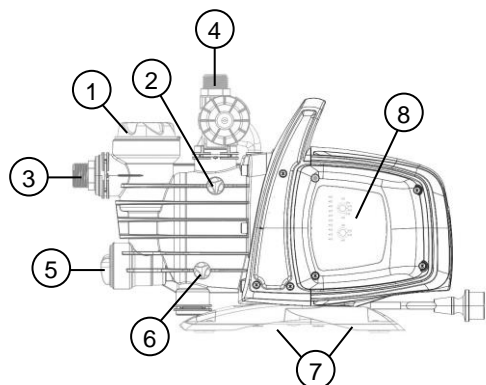
5. ЗАСТЕРЕЖЕННЯ



Забороняється перевозити, перемішувати, піднімати або експлуатувати насоси у підвішеному стані, використовуючи для цих дій кабель живлення; користуватися для цього відповідною ручкою.

- Забороняється робота насоса "всуху".
- Рекомендуємо відкривати/закривати зливну/випускні пробки (2 і 6) без застосування зайвої сили.

6. УСТАНОВКА



1. Попередній фільтр.
2. Спускна пробка.
3. Поворотне з'єднання всмоктування.
4. З'єднання подачі.
5. Інтегрований неповоротний (запірний) клапан.
6. Спускна пробка.
7. Антивібраційні гумові ніжки.
8. Інтерфейс електронного управління

Електронасос слід встановити в сухому, захищеному від негативного впливу непогоди та інших природних явищ приміщенні з температурою не вище 40 °С. Насос устаткований антивібраційними ніжками, але у випадку постійної установки їх можна зняти і виконати фіксоване кріплення до опорної основи (7). Уникати надмірних зусиль з боку трубопроводів на патрубку насоса (3) та (4), щоб не допустити деформації та пошкоджень.

Завжди рекомендується встановлювати насос якомога ближче до місцезнаходження перекачуваної рідини.

Насос слід встановлювати тільки в горизонтальному положенні.

Забороняється використання трубопроводів, внутрішній діаметр яких менше діаметру патрубків до електронасосу та на всмоктування; насос устаткований фільтром (1) та неповоротним клапаном (НПК/NRV) (5).

У випадку всмоктування з глибини більше чотирьох метрів або у випадку досить великих відстаней подачі в горизонтальному напрямку рекомендується використовувати трубу всмоктування з більшим діаметром, ніж діаметр всмоктувального патрубка електронасосу. Щоб запобігти утворенню повітряних пробок у всмоктувальній трубі, слід передбачити незначний позитивний нахил всмоктувальної труби в напрямку до електронасосу. Мал. 2

Якщо всмоктувальна труба виготовлена з гуми або з іншого гнучкого матеріалу, слід завжди попередньо перевіряти, щоб вона належала до посиленого вакуумно-резистентного типу, щоб запобігти звуженню під дією всмоктування.

При фіксованій установці рекомендується монтувати запірний клапан як з боку всмоктування, так і з боку подачі. Це дозволить перекрити лінію вище або нижче від насоса, що зручно для виконання робіт з технічного обслуговування, догляду та чистки, а також у разі випадків, коли насос не використовується.

Насос устаткований поворотними входними, що спрощує його установку. (3) та (4).

При використанні гнучких труб при необхідності скористатися коліном, мал.1, та спеціальним набором, що складається з ПЕ труб та фітінгів; вони не поставляються в комплекті, але їх можна придбати додатково.

У випадку наявності домішок дуже малого розміру рекомендується, крім інтегрованого фільтру (1), використовувати фільтр на вході в насос, який слід монтувати на всмоктувальній трубі.

- Уникати занадто частих вмикань двигуна на протязі години, настійно рекомендується не перевищувати 20 запусків/годину.



Діаметр труби всмоктування повинен бути більшим або дорівнювати діаметру патрубка отвору електронасосу, див. Таблицю 3.

7. ЕЛЕКТРИЧНЕ ПІДКЛЮЧЕННЯ



Переконатися в тому, що напруга мережі живлення відповідає вказаній на паспортній табличці двигуна, а також перевірити можливість надійного заземлення. **Дотримуватися вказівок, зазначених на заводській табличці та в таблиці 3 даного технічного посібника.**

Довжина кабелю живлення насоса обмежує відстань його установки; в разі необхідності використання подовжувача перевірити, щоб він був того ж самого типу (напр., H05 RN-F або H07 RN-F в залежності від установки) див. Таб.3.

8. ПОЧАТОК РОБОТИ



Не вмикати насос до тих пір, доки він повністю не наповниться рідиною, приблизно 4 літри, доки рідина не почне витікати через пробку для спуску повітря (2).

У випадку вичерпання води слід негайно витягнути вилку з розетки, щоб вимкнути насос. Уникати роботи "всуху".

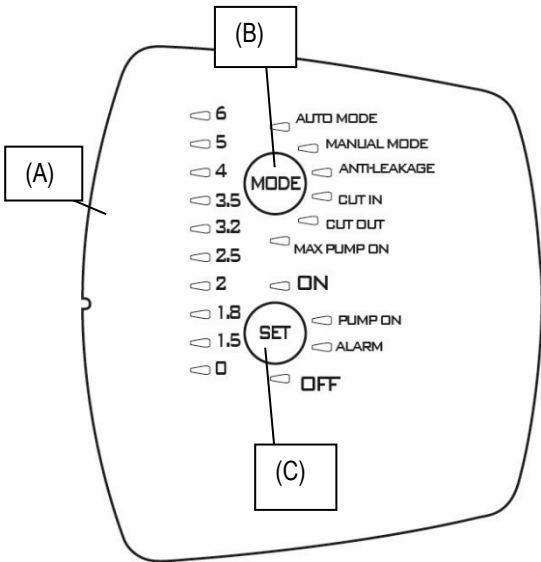
1. Перед вмиканням перевірити, щоб насос був залитий належним чином чистою водою через відповідний отвір, після зняття заливної пробки пропускного фільтру (1); перевірку здійснювати вручну або спеціальним інструментом, що надається в комплекті. Одночасно з цим відкрити також спускні пробку (2), щоб випустити повітря. Ця операція надзвичайно важлива для бездоганної роботи насоса, щоб забезпечити належне змащування механічного ущільнення. **Робота "всуху" призводить до незворотного пошкодження механічного ущільнення.**
2. Після цього слід ретельно закрити заливну пробку до упору (1), як і спускні пробку (2).

- Вставити вилку кабелю живлення в розетку мережі живлення з напругою 220-240В. **Увага!** Двигун насоса увімкнеться негайно, вода почне подаватися максимум на протязі наступних 3 хвилин, що залежить від глибини рівня води в колодязі чи в резервуарі.
- Насос продовжить роботу і подачу води. **Увага!** Уникати роботи "всуху".
- Щоб вимкнути насос, слід витягти вилку з розетки живлення.



Якщо виникають проблеми із заливкою, повторювати прокачку до тих пір, доки не зникне повітря на всмоктуванні.

9. ІНТЕРФЕЙС ЕЛЕКТРОННОГО УПРАВЛІННЯ



9.1 Огляд характеристик

Описання	Параметри
Плата напруги, частоти	1х220-240В, 50/60 Гц
Показник ввімкн./вимкн. напруги	●
Показник ввімкн./вимкн. двигуна	●
Показник тривоги	●
Показник тиску	●
Показник режиму	●
Автоматичний режим	●
Ручний режим	○
Захист проти роботи "всуху"	●
Захист проти витоків	○
Захист Максим. період роботи	○ (30 хвилин)
Тиск Cut-in	○ Перемінне (1,5 – 3,0 бар)
Тиск Cut-out	○ (Cut-in + 1 бар)
Автоматичне заливання	●
Кнопки вибору	●

● = Фіксована; ○ = Перемикання

9.1.1 Описання дисплею:

(А) Світлодіодний індикатор тиску

Для показання тиску від 0 до 6 бар використовуються 10 світлодіодів. При зміні системи тиску світлодіоди відповідно вмикаються або вимикаються.

Функція	Конфігурація дисплею	Настройка	Reset (Скидання тривоги)	Alarm
Auto Mode		ON: Вмикання OFF: Вимикання		
Manual mode		ON: Вмикання OFF: Вимикання		
Anti-leakage		ON: Вмикання OFF: Вимикання	Натиснути SET	
Cut in		Збільшення/зменшення		
Cut out		Збільшення/зменшення OFF: вимкнено		
Max pump on		ON: ввімкнено OFF: вимкнено	Натиснути SET	

(В) Кнопка-перемикач режиму MODE

Режими для вибору:

- | | |
|-------------------|-----------------|
| 1) AUTO_MODE; | 4) CUT_IN; |
| 2) MANUAL_MODE; | 5) CUT_OUT, |
| 3) ANTI LEACKAGE; | 6) MAX_PUMP_ON; |

Щоб розблокувати вибір функцій на “MODE”, натиснути кнопку “MODE” і тримати її в натиснутому положенні на протязі 5 секунд.

Натиснути **“MODE (РЕЖИМ)”**, щоб вибрати бажаний режим роботи (AUTO_MODE або MANUAL_MODE) внести зміни в параметри (CUT IN та CUT OUT) або щоб задіяти ряд функцій (ANTI-LEAKAGE та MAX PUMP ON). Під час вибору світлодіод вибраної функції починає блимати. Після повернення в AUTO_MODE активні функції відображаються за допомогою постійного горіння відповідного світлодіода. Див. параграф 2 (Описання функцій).

Індикатори в “MODE”

AUTO MODE: насос працюватиме в автоматичному режимі, див. 9.2.1

MANUAL MODE: насос працюватиме в ручному режимі, див. 9.2.1; користувач вирішуватиме, коли вмикати та вимикати насос за допомогою кнопки **“SET”**. SET-ON увімкнений SET-OFF вимкнений.

CUT-IN: регулювання тиску (завжди задіяне) мінімальний тиск, нижче якого насос вмикається, задається в рамках від 1,5 до 3,0 бар, настройка від виробника 1.8 бар; насос вмикається також у тому випадку, якщо значення потоку складає менше 1,5 л/хв., встановленого виробником.

CUT-OUT: регулювання тиску (не задіяне) значення тиску, вище якого насос вимикається, від виробника настройка дорівнює “CUT-IN” + 1 світлодіоди, її можна збільшити до 3.5 бар (50.8 psi).

Щоб задіяти цю функцію, вибрати її, натискаючи на “MODE” до тих пір, поки відповідний світлодіод CUT-OUT не почне блимати, після:

- 1) натисніть SET **протягом 10 секунд** для розблокування функції (при цьому загоряться індикатори значень тиску),
- 2) натисніть SET для обрання бажаного значення,
- 3) для вимкнення функції встановіть значення cut-out на 0 [бар або psi].
- 4) вийдіть з меню налаштування, натиснувши MODE.

ПРИМ: значення CUT-OUT можна змінити ЛИШЕ після розблокування функції шляхом натиснення кнопки SET протягом 10 секунд. Якщо протягом 1 секунди не буде натиснено на жодну кнопку, функція знов заблокується.

ANTI-LEAKAGE: захист проти витоків. Цю функцію можна задіяти або дезактивувати. При настройках від виробника вона дезактивована. Якщо ця функція задіяна, то у випадку вмикання насоса більше 6 разів на протязі 2 хвилин насос вимикається, і подається сигнал про помилку за допомогою червоного, повільно блимаючого світлодіода на **“ALARM”**.

Щоб задіяти цю функцію, вибрати її, натискаючи на “MODE” до тих пір, поки відповідний їй світлодіод не почне блимати, після цього натискати на SET, доки не увімкнеться світлодіод “ON”. Щоб дезактивувати цю функцію, натиснути на “SET” і утримувати до тих пір, доки світлодіод не вкаже на OFF.

Після усунення причини тривоги виконати скидання сигналу тривоги, якщо він ще активний, див. 9.2.3.

MAX PUMP ON: максимальний період роботи. Цю функцію можна задіяти або дезактивувати. При настройках від виробника вона дезактивована. Якщо ця функція задіяна, то після більш, ніж 30 хвилин неперервної роботи насос вимикається, при цьому не подається ніякого сигналу про помилку.

Ця функція використовується для того, щоб захистити установку у випадку забутого відкритого крану, пошкодження трубопроводу, а також при використанні в іригаційних системах.

Щоб задіяти цю функцію, вибрати її, натискаючи на “MODE” до тих пір, поки відповідний їй світлодіод MAX PUMP ON не увімкнеться, після цього натискати на SET, доки не увімкнеться світлодіод “ON”. Щоб дезактивувати цю функцію, натиснути на “SET” і утримувати до тих пір, доки світлодіод не вкаже на OFF.

(С) Кнопка-перемикач SET

Режими для вибору:

- 1) Reset Alarmi (Скидання тривоги).
- 2) Задіює/дезактивує в MODE (MAX_PUMP_ON, ANTILEACKAGE).
- 3) Збільшує параметри в MODE (CUT_IN; CUT_OUT).
- 4) Двигун ON/OFF в MANUAL MODE.
- 5) Насос увімкнений/насос в режимі очікування в AUTO MODE.

Натиснути **“SET”**, щоб внести зміни в параметри; в тому випадку, коли горить світлодіод на MODE-CUT IN або MODE-CUT OUT, значення буде відобразитися на світлодіодній панелі показання тиску. Якщо натискати на **“SET”**, то це значення буде збільшуватися. Після установки бажаного значення вийти з режиму внесення змін, натиснувши для цього на **“MODE”** і перевіривши світлодіод на MODE-AUTO та SET “ON” увімкнено.

Натискати на SET також для того, щоб задіяти/дезактивувати функції Anti-leakage (Захист проти витоків) та Max pump On (Максим. період роботи). Після вибору функції за допомогою кнопки “MODE” її можна задіяти, якщо вибрати SET-ON, або дезактивувати, якщо вибрати SET-OFF.

В режимі “MANUAL” (РУЧНИЙ) кнопка SET служить також для того, щоб вмикати та вимикати насос, при цьому світлодіод

вмикається на "On" або "OFF".

В автоматичному режимі AUTO-MODE кнопка SET служить для активації "ON" або переведенні в режим очікування "OFF".

PUMP ON: показчик, що відповідає робочому двигуну.

9.2 Описання функцій

9.2.1 Насос ВВІМКН/ВИМКН (AUTO MODE, MANUAL MODE)

Функція Cut out дезактивована → якщо вставити вилку в розетку, спершу проводиться перевірка роботи світлодіодів, а потім насос вмикається на 10 секунд.

Функція Cut out задіяна → Якщо вставити вилку в розетку, на протязі перших 3 секунд проводиться перевірка роботи світлодіодів (вмикання світлодіода 0 завжди вказує на наявність тиску), а потім за замовчуванням вмикається режим "AUTO MODE" та загоряється світлоіндикатор "ON". Насос почне працювати, якщо тиск буде нижчим за значення CUT-IN, а сила потоку буде нижче мінімального значення потоку Cut-in. Насос працюватиме до тих пір, доки тиск буде нижчим, ніж значення CUT-OUT, після досягнення цього значення насос вмикається незалежно від сили потоку.

У випадку вибору ручного режиму "MANUAL MODE" після натискання на кнопку "MODE" насос увімкнеться, якщо горить світлодіод "ON"; якщо ні, то після натискання на "SET" насос вмикається, і загоряється світлодіод "OFF".

Коли насос почне працювати, він спершу вмикається в режимі ЗАЛИВАННЯ.

Н. В. Переконайтеся в тому, що всі інструкції з установки насосу були дотримані, а сам насос повністю заповнений водою.

9.2.2 Фаза заливання

Коли насос почне працювати, він спершу вмикається в режимі заливання; під час цієї фази, якщо не буде виявлено тиску та сили потоку, двигун працюватиме на протязі 3 хвилин, після чого перейде в стан тривоги в зв'язку з роботою "всуху". Якщо на протязі цього інтервалу часу буде виявлено присутність тиску та потоку, почнеться фаза заливання, після чого насос працюватиме в нормальному режимі.

9.2.3 Скидання тривог

У випадку виявлення тривоги загоряється відповідний світлоіндикатор червоного кольору на "ALARM". Скидання тривог виконується шляхом одноразового натискання на кнопку "SET"; якщо причину тривоги усунуто, насос працюватиме в нормальному режимі, якщо ні - насос знову перейде в стан тривоги.

9.2.4 Показчик тиску ВВІМКН/ВИМКН

У присутності тиску горить світлодіод тиску 0 на світлодіодній панелі. Якщо тиску немає, то цей світлодіод не горить.

Н. В. У випадку тривалих простоїв рекомендується вимкнути подачу напруги, для цього витягти вилку з розетки.

9.2.5 Показчик насосу ВВІМКН/ВИМКН

Якщо насос працює, повинен горіти синій індикатор роботи насосу "PUMP ON". Якщо насос зупиняється, цей індикатор повинен вимикатися.

9.2.6 Показчик тривог

У випадку наявності тривоги загоряється кнопка "ALARM", постійним або блимаючим світлом.

Робота "всуху" (Dry-running): постійно ввімкнений червоний світлоіндикатор

Витік (Leakage): повільне блимання.

Max Pump ON (насос працює на протязі більше, ніж 30 хвилин): 2 швидких блимання і після них пауза на протязі довшого проміжку часу.

Натиснути "SET", щоб виконати скидання тривог.

9.2.7 Захист від роботи "всуху" (Dry running protection)

Якщо насос працює "всуху", то вже через кілька секунд (40 сек.) він зупиняється, подається сигнал помилки, вмикається червоний світлоіндикатор на "ALARM", що горить постійним світлом.

Через 30 хвилин після першої зупинки насосу в стані OFF здійснюється перша спроба повторного запуску на протязі 5 хвилин.

Якщо і ця спроба виявиться невдалою, то кожна наступна спроба буде здійснюватися через кожні 30 хвилин з максимальним числом запусків 48. Якщо всі ці спроби виявляться невдалими, то наступні спроби будуть здійснюватися через кожні 24 години.

При наявності потоку та/або тиску пристрій автоматично виходить зі стану тривоги захисту від роботи "всуху".

Після скидання тривоги, див. 9.2.3, наступна спроба буде здійснюватися на протязі 40 сек.

Щоб усунути причини та скинути тривоги, див. 9.2.3.

9.2.8 Захист проти витоків (ANTI-LEAKAGE)

Цю функцію можна задіювати або дезактивувати, за замовчуванням від виробника вона дезактивована. Якщо ця функція задіяна, то у випадку вмикання насоса більше 6 разів на протязі 2 хвилин насос вмикається, і подається сигнал про помилку за допомогою червоного, повільно блимаючого світлодіода на "ALARM".

Щоб усунути причини та скинути тривоги, див. 9.2.3.

Процедура задіювання описана в п. Anti-leakage.

9.2.9 Max pump on

Максимальний період роботи. Цю функцію можна задіяти або дезактивувати. При настройках від виробника вона дезактивована. Якщо ця функція задіяна, то після більш, ніж 30 хвилин неперервної роботи насос вмикається, при цьому подається сигнал у вигляді блимання індикатора на ALARM.

Ця функція використовується для того, щоб захистити установку у випадку забутого відкритого крану, пошкодження трубопроводу, а також при використанні в іригаційних системах.

9.2.10 Тривога датчика тиску

Пристрій переходить в стан тривоги датчика тиску, якщо значення тиску виходить за встановлені робочі рамки (0 -15 бар). Насос вимикається, скидання помилки відбудеться, як тільки значення тиску повернеться в рамки встановленого діапазону.

9.3 Перший пуск

9.3.1 Перевірка світлодіодів

При першому пуску або в будь-якому іншому випадку після вставлення вилки в розетку живлення проводиться перевірка роботи 20 світлодіодів, яка триває кілька секунд, і під час якої усі світлодіоди вмикаються по черзі.

9.3.2 Перше заливання

Автоматично за замовчуванням насос буде в режимі **AUTO** і настроєний на **ON**.

При цьому можливі три наступні дії насоса:

- 1) Потік є, але тиск низький: насос виходить з фази заливання і починає нормальну роботу.
- 2) Тиск є, але немає потоку: насос перебуває в цьому стані на протязі 10 сек., а потім вимикається.
- 3) Немає ні потоку, ні тиску: через прибули. З хвилин насос вимикається, і з'являється повідомлення про помилку "робота всуху", на що вказує увімкнений червоний світлодіод на SET-ALARM. Щоб усунути причини та скинути тривогу, див. 9.2.3.

9.4 Нормальна робота з дезактивованою функцією CUT-OUT (від виробника)

При дезактивованій функції Cut-out можливі наступні дії насоса:

- Насос вмикається, якщо є потік, або в разі відсутності тиску, тиск нижче, ніж значення CUT IN (на протязі 10 мсек.)
- насос вимикається, якщо на протязі безперервного проміжку часу в 10 сек. є тиск, але немає потоку.

Під час нормальної роботи світлодіод CUT OUT буде вимкнений. Для внесення змін в настройки див. 9.1.1.В.

9.5 Нормальна робота з задіяною функцією CUT-OUT

При задіяній функції Cut-out можливі наступні дії насоса:

- Насос вмикається, якщо тиск нижче встановленого значення тиску CUT IN.
- Насос вимикається, якщо тиск вище встановленого значення тиску CUT IN.

Під час нормальної роботи світлодіод CUT OUT буде увімкнений. Для внесення змін в настройки див.9.1.1.В.

10. ЗАСТЕРЕЖНІ ЗАХОДИ

РИЗИК ЗАМЕРЗАННЯ: якщо насос залишається в неробочій стані при температурі нижче 0 °С, слід переконатися в тому, що в ньому немає залишку води, що при замерзанні може пошкодити пластмасові частини насоса.

Після використання насоса для відведення речовин, які схильні до накопичень та відкладень, або після перекачування хлорованої води його слід промити чистою водою; для промивання скористатися сильним струменем води, щоб запобігти утворенню відкладень, що можуть негативно вплинути на експлуатаційні характеристики насоса.

11. ДОГЛЯД ТА ТЕХНІЧНЕ ОБСЛУГОВУВАННЯ

При нормальних умовах експлуатації електронасос не потребує ніякого технічного обслуговування. В будь-якому разі всі роботи з ремонту та технічного обслуговування слід виконувати тільки після відключення насоса від мережі живлення. Перед тим, як знову увімкнути насос після технічного обслуговування та ремонту, слід перевірити, що він зібраний належним чином, щоб не створити небезпечну ситуацію для осіб та майна.

11.1 Чистка всмоктувального фільтра (Мал.3)

- Відключити насос від мережі електричного живлення.
- Спорожнити насос, відкривши для цього зливу пробку (6); попередньо перекрити заслінки раніше по лінії (якщо маютьсся).
- Відкрутити кришку камери фільтра вручну або за допомогою спеціального інструменту, що надається в комплекті.
- Витягти зверху блок фільтру.
- Промити склянку під струменем проточної води та прочистити фільтр за допомогою м'якої щітки.
- Знову встановити фільтр на місце, виконавши всі описані вище дії в зворотньому порядку.

11.2 Чистка НПК (Мал.4)

- Відключити насос від мережі електричного живлення.
- Зняти пробку НПК (5) за допомогою спеціального інструмента, що надається в комплекті.
- Зняти неповоротний (запірний) клапан НПК та почистити його.
- Виконати монтаж у зворотньому порядку.

12. ПОШУК



Перед тим, як розпочинати пошук неполадок, необхідно від'єднати насос від джерел електричного живлення (витягти вилку з розетки). Якщо кабель живлення або насос в будь-якій його електричній

частині пошкоджені, ремонт та заміну повинен здійснювати виробник або уповноважений ним центр технічних послуг, або технічний спеціаліст з відповідною кваліфікацією, що дозволяє запобігти будь-якому ризику.

НЕПОЛАДОК ТА	(можливі причини)	ШЛЯХИ ЇХ УСУНЕННЯ
1. Двигун не вмикається і не гуде.	A. Перевірити електричні з'єднання. B. Перевірити подачу напруги на двигун. C. Перевірити захисні плавкі запобіжники. D. Можливо, що спрацював тепловий захист.	C. Замінити, якщо перегоріли. D. Зачекати 20 хвилин, щоб двигун вихолонув. Виявити причину та усунути її. N.B.: повторення неполадки через короткий проміжок часу вказує на коротке замикання двигуна.
2. Двигун не вмикається і не гуде.	A. Перевірити, щоб напруга в мережі відповідала зазначеній на заводській паспортній табличці. B. Виявити можливі забивання та засмічення насоса та двигуна. C. Перевірити, щоб вал не був заблокований. D. Перевірити стан конденсатора.	V. Усунути забивання та засмічування. C. За допомогою спеціального інструменту, що надається в комплекті, відкрутити кришку, а потім викруткою розблокувати вал. D. Замінити конденсатор.
3. Мотор працює з перебоями.	A. Перевірити, щоб напруга мережі живлення була достатньою. B. Перевірити на предмет тертя та вишкрябування між рухомими та фіксованими частинами.	V. Усунути причини тертя та вишкрябування.
4. Насос не подає воду.	A. Насос не був залитий належним чином. B. Недостатній діаметр всмоктувальної труби. C. Забивання та засмічування НПК або фільтра.	A. Наповнити насос водою, виконати заливку належним чином, випустити повітря, викрутивши спускну пробку. B. Замінити трубу на трубу з більшим діаметром. C. Почистити фільтр, а якщо цього недостатньо - і НПК.
5. Насос не заливається.	A. Всмоктування повітря через всмоктувальну трубу. B. Негативний нахил всмоктувальної труби сприяє утворенню повітряних пробок.	A. Усунути проблему, перевіривши герметичність з'єднань та трубопровід всмоктування, потім повторити операцію з заливання. B. Виправити напрям нахилу всмоктувальної труби.
6. Недостатній рівень подачі насоса.	A. Всмоктувальна труба забита або засмічена. B. Робоче колесо спрацьоване або заблоковане. C. Недостатній діаметр всмоктувального трубопроводу.	A. Почистити всмоктувальний трубопровід. B. Усунути забивання та замінити спрацьовані частини. C. Замінити трубопровід на трубопровід з більшим діаметром.
7. Сильна вібрація насоса, сторонній шум під час роботи.	A. Перевірити, щоб насос та трубопроводи були закріплені належним чином. B. Насос працює з кавітацією, запит на воду перевищує його потужність подачі. C. Насос працює за рамками вказаних на заводській паспортній табличці даних.	A. Закріпити ретельно ослаблені частини. B. Зменшити рівень всмоктування або перевірити на відсутність витоків напору. C. Може бути корисним обмежити напір на подачі.

13. ГАРАНТІЯ



Будь-які модифікації, що не були попередньо узгоджені з виробником, звільняють виробника від будь-якої відповідальності. Всі запасні частини для ремонту повинні бути оригінальними частинами від виробника пристрою, а всі аксесуари слід узгодити з виробником, щоб гарантувати максимальну безпеку експлуатації того обладнання та пристроїв, на які вони встановлюються.

Даний виріб покритий юридичною гарантією (на території Європейського Союзу на протязі 24 місяців з дати купівлі) відносно всіх дефектів, викликаних вадами виробництва або дефектами використаних матеріалів.

Виріб на гарантії за рішенням виробника підлягає або заміні на інший, у відмінному робочому стані, або безкоштовному ремонту; при цьому повинні дотримуватися наступні умови:

- експлуатація виробу проводилася вірно, у відповідності до наданих інструкцій, покупець або треті особи не намагалися відремонтувати його власними силами.
- виріб доставлений в пункт продажу разом з документацію, що підтверджує його купівлю (рахунок або чек), та коротким описанням виявленої проблеми.

Робоче колесо та інші частини, що підлягають нормальному спрацюванню, не покриваються гарантією. Операції з гарантійного обслуговування ні в якому разі не призводять до подовження початкового терміну гарантії.
