


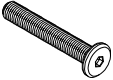


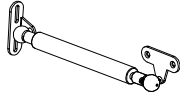

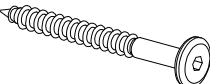
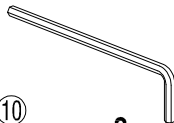
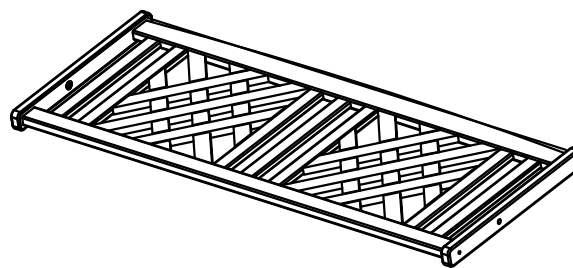
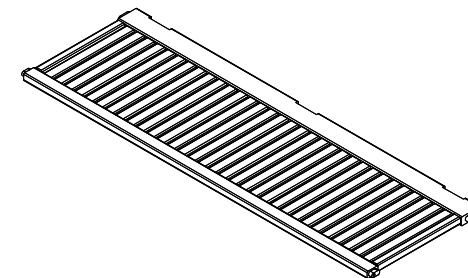


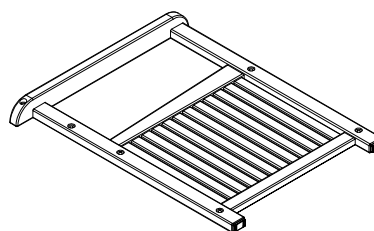
- | | | | | | |
|---|--|----------------------------------|---|--|----------------------------|
| ① |  | HW-ST-01-095
(4 x 15) | ⑥ |  | HW-ST-03-014
(8 x 13) |
| | x 8 | | | x 2 | |
| ② |  | HW-ST-01-007
(4 x 18) | ⑦ |  | HW-ST-02-057
(8 x 55) |
| | x 18 | | | x 2 | |
| ③ |  | HW-ST-05-006
(60x40x8) | ⑧ |  | HW-ST-01-009
(4 x 25) |
| | x 3 | | | x 6 | |
| ④ |  | HW-ST-05-026
(Ø15x270,(150N)) | ⑨ |  | HW-PL-07-134
(6.5x20x5) |
| | x 2 | | | x 2 | |
| ⑤ |  | HW-ST-01-044
(7 x 70) | ⑩ |  | HW-ST-18-001
(4 x 98) |
| | x 10 | | | x 2 | |



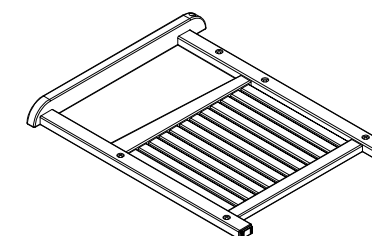
Ⓐ x 1
SU-BE-BF-0302



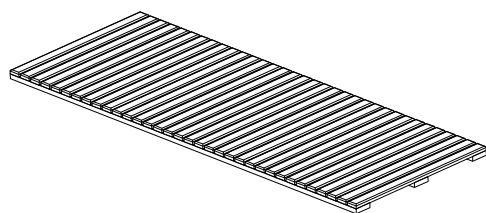
Ⓑ x 1
SU-BE-BF-0163



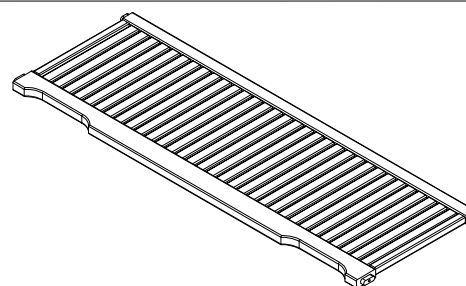
Ⓒ x 1
SU-BE-LF-0280



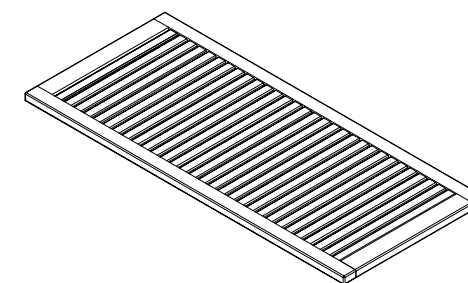
Ⓓ x 1
SU-BE-LF-0281



Ⓔ x 1
SU-BE-BO-0034

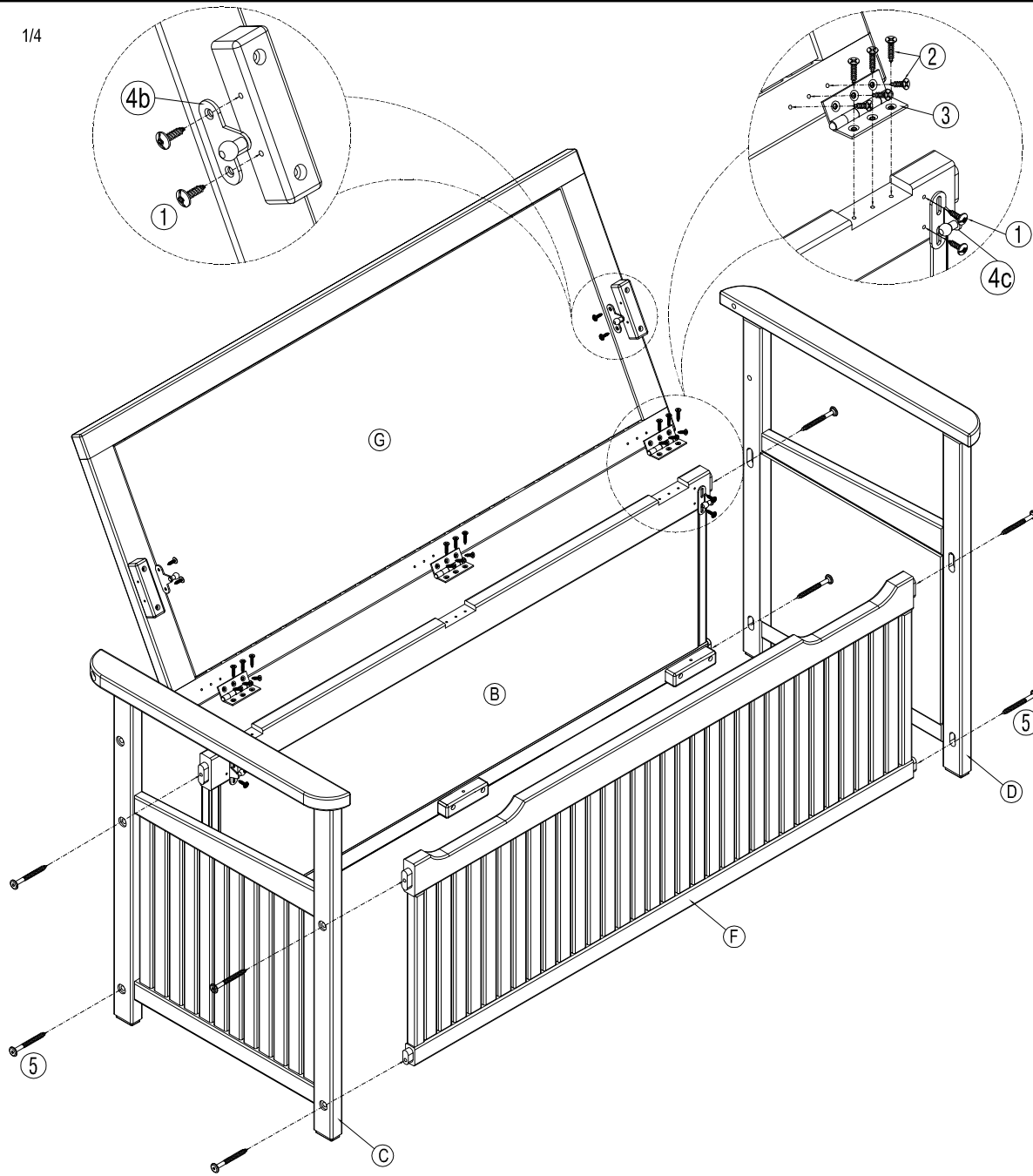


Ⓕ x 1
SU-BE-SP-0009

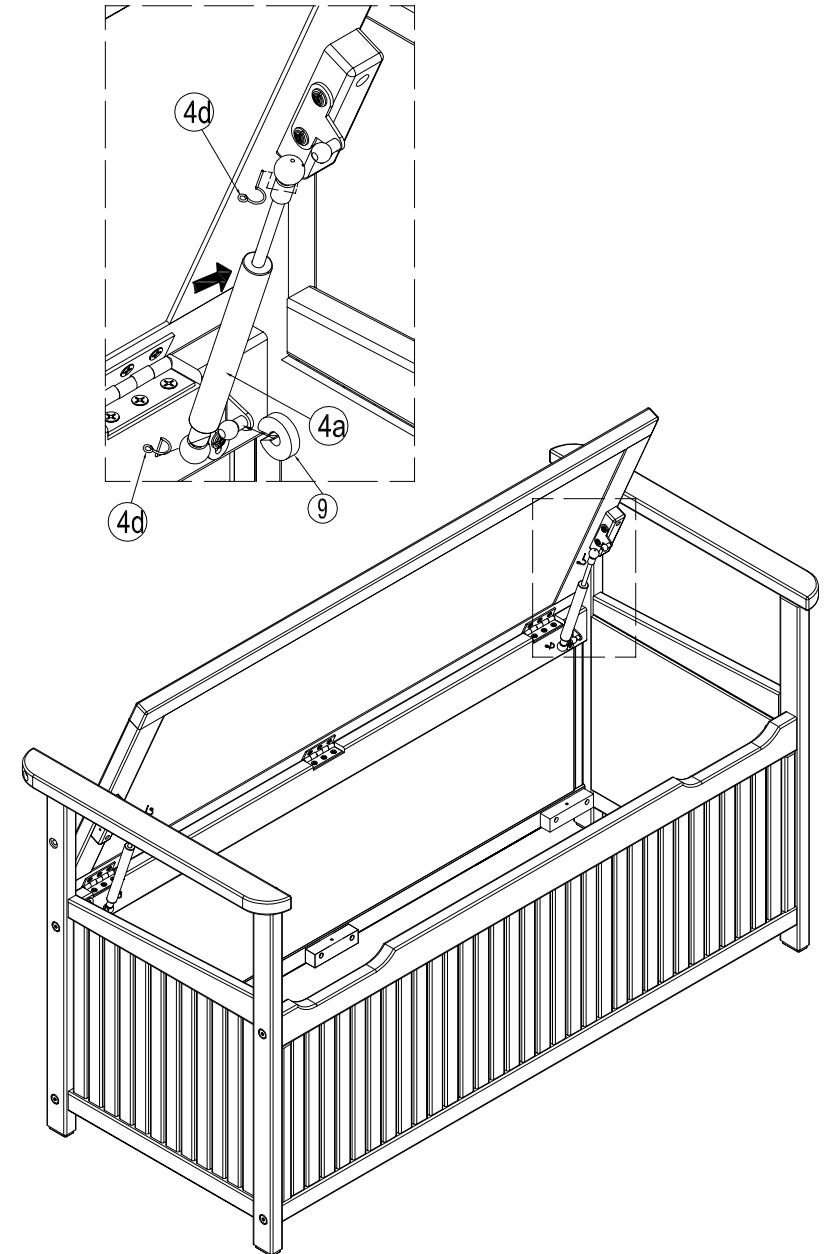


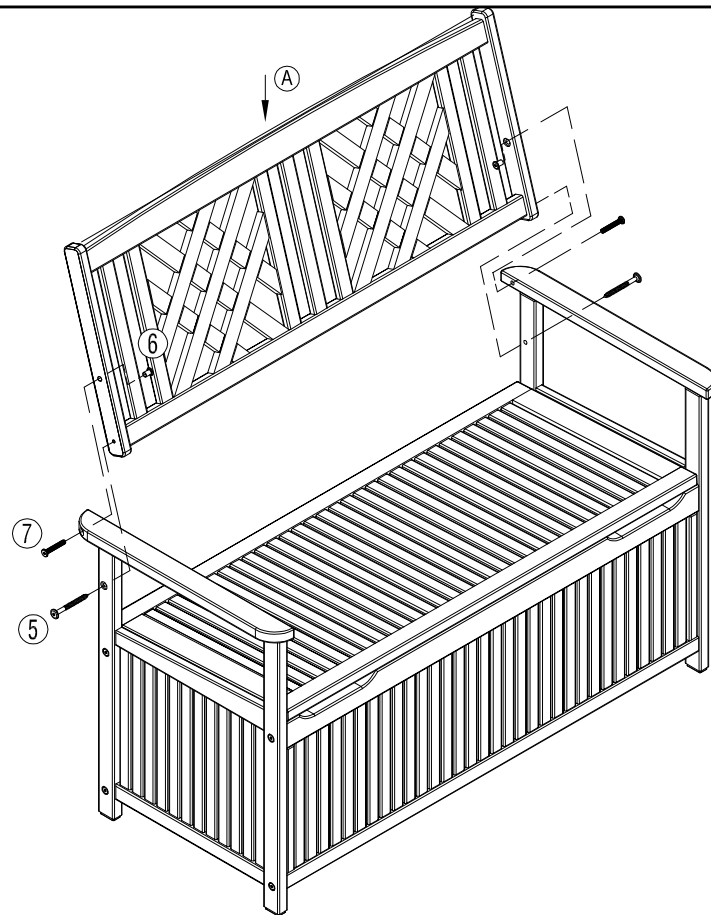
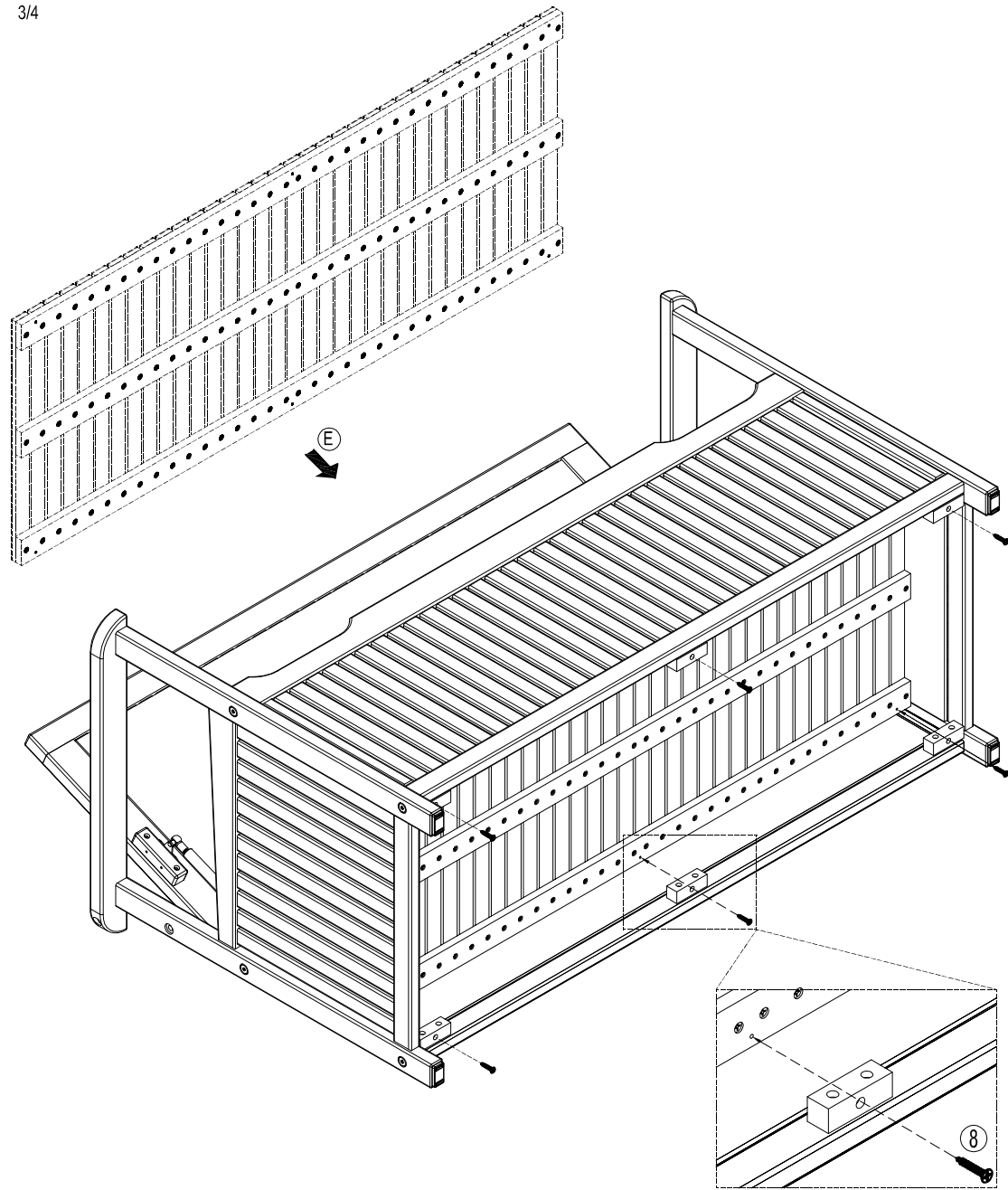
Ⓖ x 1
SU-BE-ST-0199

1/4

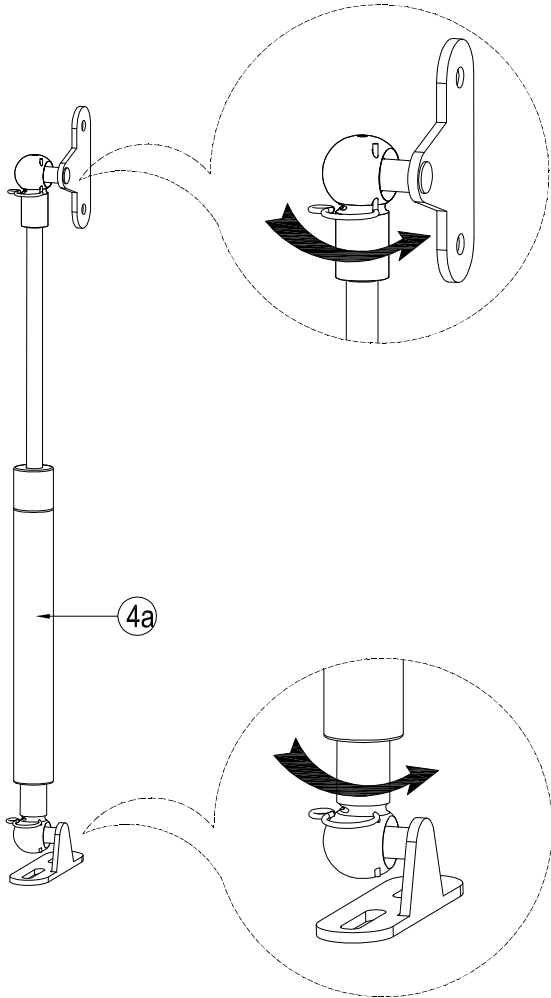
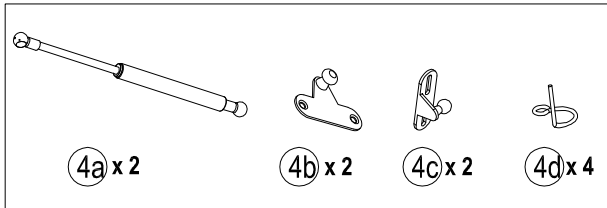


2/4

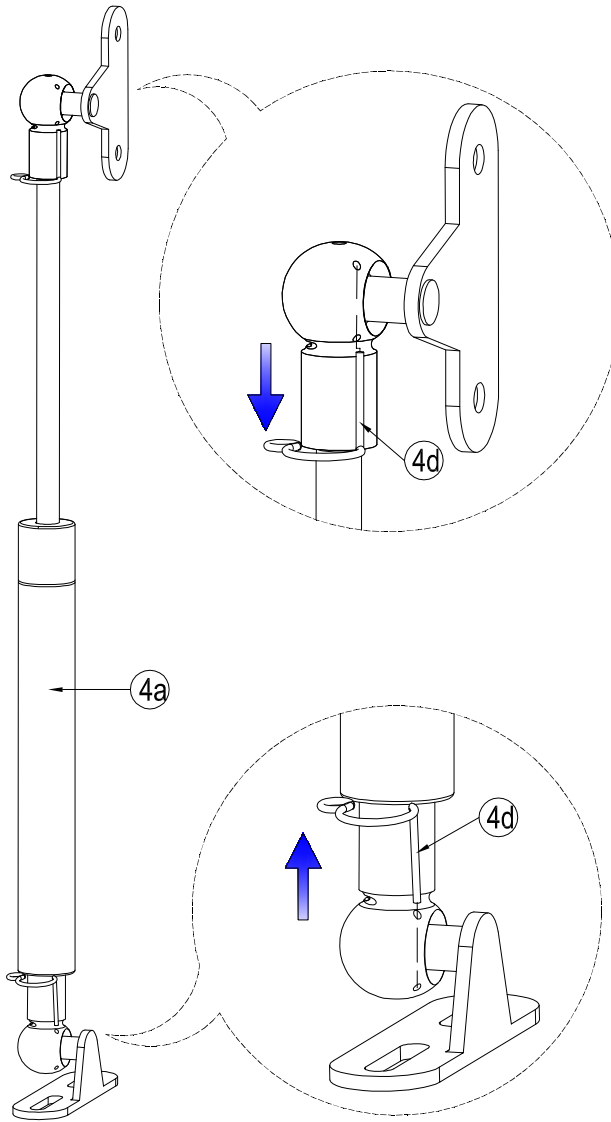




1A



1B



1C

