

Char-Broil.

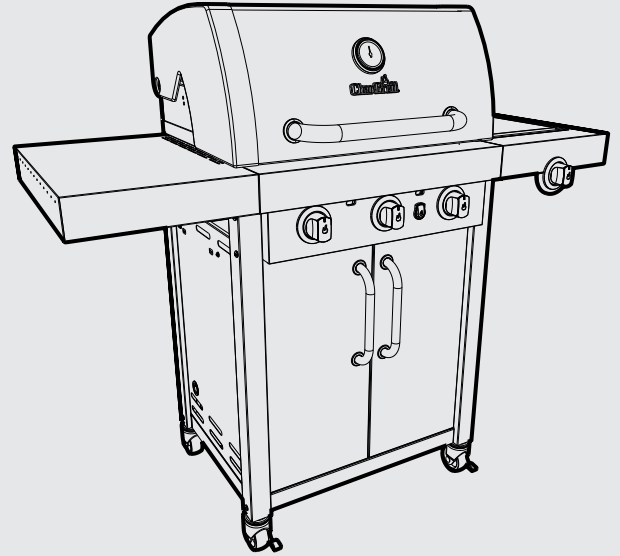
PROFESSIONAL SERIES 3 BURNER

MODEL NUMBER

468600717

468641017

468641017DK



- Ⓞ(GB) Operating Instructions, 2-6
- Ⓞ(CH)Ⓞ(FR) Mode d'emploi, 7-11
- Ⓞ(LU)Ⓞ(AT)Ⓞ(CH)Ⓞ(DE) Betriebsanweisungen, 12-16
- Ⓞ(CH)Ⓞ(IT) Istruzioni per l'uso, 17-21
- Ⓞ(LU)Ⓞ(BE)Ⓞ(NL) Gebruiksaanwijzingen, 22-26
- Ⓞ(SE) Användning, 27-31
- Ⓞ(FI) Käyttöohjeet, 32-36
- Ⓞ(ES) Instrucciones de funcionamiento, 37-41
- Ⓞ(PT) Instruções para Operação, 42-46
- Ⓞ(DK) Brugsanvisning, 47-51
- Ⓞ(NO) Instruksjoner for bruk, 52-56
- Ⓞ(SK) Návod na používanie, 57-61
- Ⓞ(IS) Notkunarleðbeiningar, 62-66
- Ⓞ(CZ) Návod k obsluze, 67-71
- Ⓞ(IL) הוראות הפעלה, 72-76

- Assembly Instructions, 82-102
- Instructions d'assemblage, 82-102
- Montageanweisungen, 82-102
- Istruzioni per il montaggio, 82-102
- Montage-instructies, 82-102
- Montering, 82-102
- Kokoamisohjeet, 82-102
- Instrucciones de armado, 82-102
- Instruções para Montagem, 82-102
- Monteringsvejledning, 82-102
- Imontering, 82-102
- Návod na montáž, 82-102
- Smalámálsskipana, 82-102
- Montážní návod, 82-102
- הוראות הרכבה, 82-102



CE

2531CS0048

INSTALLER/ASSEMBLER:

Leave this manual with consumer.

CONSUMER:

Keep this manual for future reference.

Questions:

If you have questions during assembly or use of this appliance contact your local dealer.



DANGER



If you smell gas:

1. Shut off gas to the appliance.
2. Extinguish any open flames.
3. Open lid.
4. If odor continues, keep away from the appliance and immediately call your gas supplier or your fire department.



WARNING



1. Do not store or use petrol or other flammable liquids in the vicinity of this or any other appliance.
2. A gas cylinder not connected for use shall not be stored in the vicinity of this or any other appliance.



CAUTION



- Read and follow all safety statements, assembly instructions and use and care directions before attempting to assemble and cook.
- Some parts may contain sharp edges. Wearing protective gloves is recommended.

Grease Fires

- Putting out grease fires by closing the lid is not possible. Barbecues are well ventilated for safety reasons.
- Do not use water on a grease fire, Personal injury may result. If a persistent grease fire develops, turn knobs and gas cylinder off.
- If appliance has not been regularly cleaned, a grease fire can occur that may damage the product. Pay close attention while preheating or burning off food residue to insure that a grease fire does not develop. Follow instructions on general appliance cleaning and cleaning the burner assembly to prevent grease fires. The best way to prevent grease fires is regular cleaning of the appliance.
- Do not leave barbecue unattended while preheating or burning off food residue on HI. If barbecue has not been regularly cleaned, a grease fire can occur that may damage the product.



WARNING



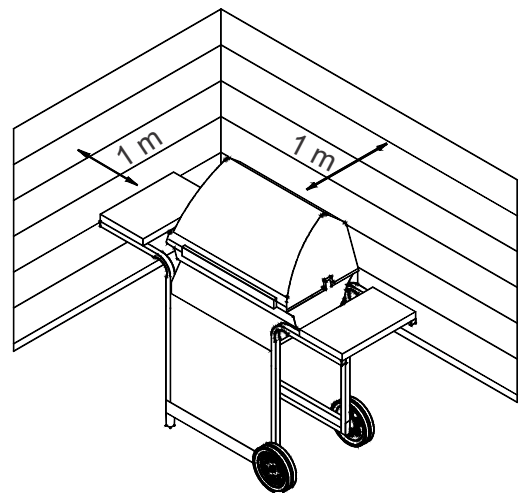
For Safe Use of Your Appliance and to Avoid Serious Injury:

- **USE OUTDOORS ONLY. NEVER USE INDOORS.**

Read the instructions before using the appliance.

Always follow these instructions.

- Do not move the appliance during use.
- Accessible parts may be very hot. Keep young children away. Do not let children operate or play near appliance.
- Turn off the gas supply at the cylinder after use.
- This appliance must be kept away from flammable materials during use.
- Do not block holes in sides or back of appliance.
- Check burner flames regularly.
- Do not block venturi openings on burner.
- Use appliance only in well-ventilated space. NEVER use in enclosed space such as carport, garage, porch, covered patio, or under an overhead structure of any kind.
- Do not use charcoal or ceramic briquets in a gas appliance.
- **DO NOT** cover grates with aluminum foil or any other material. This will block burner ventilation and create a potentially dangerous condition resulting in property damage and/or personal injury.
- **Use appliance at least 1m from any wall or surface.**
- Maintain 3m clearance to objects that can catch fire or sources of ignition such as pilot lights on water heaters, live electrical appliances, etc.



- NEVER attempt to light burner with lid closed. A buildup of non-ignited gas inside a closed appliance is hazardous.
- Always turn off gas at cylinder and disconnect regulator before moving gas cylinder from specified operating position.
- Never operate appliance with gas cylinder out of correct position specified.
- Do not modify the appliance. Any modifications is strictly prohibited. Sealed parts are not to be manipulated by the user. Do not disassemble injectors.

Safety Tips

- Before opening gas cylinder valve, check the regulator for tightness.
- When appliance is not in use, turn off all control knobs and gas.
- Use long-handled barbecue utensils and oven mitts to avoid burns and splatters. Use protective gloves when handling hot components.
- Maximum load for hot plate, if equipped, and side shelf is 4.5 Kg. Cooking vessel minimum dia 200mm and maximum dia. 260 mm. **NOTE:** Your barbecue may NOT be equipped with a Hot plate!
- The grease cup (if equipped) must be inserted into appliance and emptied after each use. Do not remove grease cup until appliance has completely cooled.
- Be very careful when you open the lid, since hot steam may escape.
- Be very careful when children, the elderly, or pets are nearby.
- If you notice grease or other hot material dripping from appliance onto valve, hose or regulator, turn off gas supply at once. Determine the cause, correct it, then clean and inspect valve, hose, and regulator before continuing. Perform a leak test.
- Do not store objects or materials inside the appliance cart enclosure that would block the flow of combustion air to the underside of either the control panel or the firebox bowl.
- DO NOT disconnect or change gas container within 3m of an open flame or other ignition source.

Cylinder Placement

Cylinder of 6 kg or less may be placed on the ground under the side shelf or inside the appliance in place provided. Larger cylinders are to be placed under side shelf or behind the barbecue only. Cylinders placed in the appliance shall have a maximum diameter of 340mm and maximum height of 400mm. Cylinders placed on the ground shall not be placed under the hot plate.

Regulator Requirements

A regulator must be used with this appliance. Use only gas regulator supplied with your barbecue. If a regulator is not supplied then use only regulator certified according to EN16129 (Flow rate max. 1.5 kg/h) and approved for your country and gas specified in Technical Data.

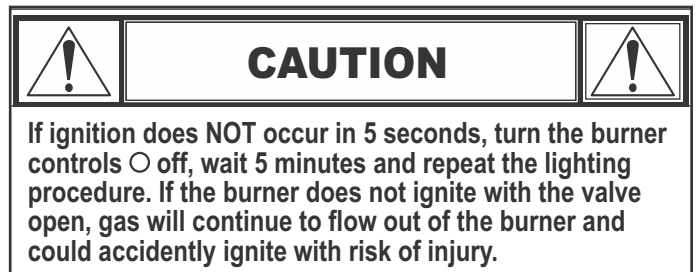
Hose Requirements

Use only approved hose which is certified to appropriate EN standard and does not exceed 1.5m length. For Finland, the hose length shall not exceed 1.2m.

Before each use, check to see if hoses are cut or worn. Make sure hose is not kinked. Make sure that when connected hose does not touch any warm surfaces. Replace damaged hoses before using appliance. Replace hose as required by national requirements.

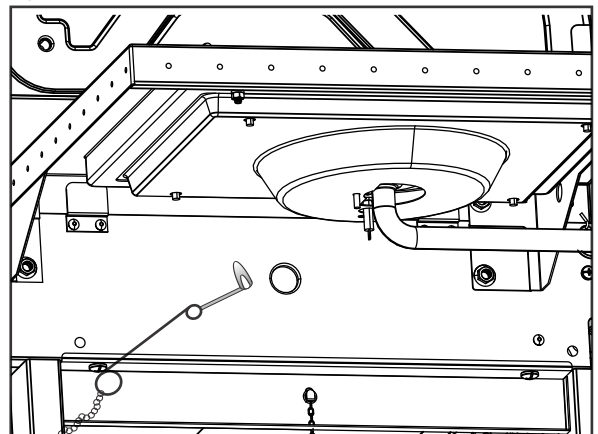
Ignitor Lighting

- **Do not lean over barbecue while lighting.**
 1. Turn gas burner control valves to ○ (off).
 2. Open lid during lighting or re-lighting.
 3. Turn ON gas at LP cylinder.
 4. To ignite, push and turn burner knob to 🔥 HIGH. Immediately, push and hold ELECTRONIC IGNITOR button until the burner lights.
 5. If ignition does NOT occur in 5 seconds, turn the burner controls off ○, wait 5 minutes and repeat the lighting procedure.
 6. Repeat steps 4 and 5 to light other main burners.



Match-Lighting

- **Do not lean over barbecue while lighting.**
 1. Turn gas burner control valves to ○ (off).
 2. Open lid during lighting or re-lighting.
 3. Turn ON gas at LP cylinder.
 4. Place match into match holder (hanging from side panel of barbecue). Light match; then light burner by placing match through the match light hole on side of barbecue. Immediately push in and turn burner knob to the 🔥 HIGH position. Be sure burner lights and stays lit.
 5. Light adjacent burners in sequence by pushing knobs in and turning to the 🔥 HIGH position.



NOTE: Your barbecue may NOT be equipped with a Hot plate!

Hot plate Ignitor Lighting

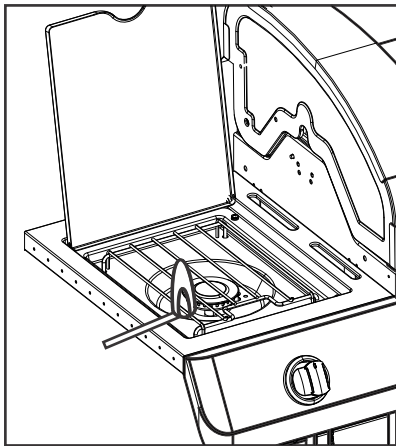
• **Do not lean over barbecue while lighting.**

1. Turn gas burner control valves to ○ (off).
2. Open lid during lighting or re-lighting.
3. Turn ON gas at LP cylinder.
4. Turn hot plate knob to the 🔥 HIGH position, push and hold **ELECTRONIC IGNITOR** button.
5. If hot plate does NOT light within 5 seconds, turn knob to ○ (off), wait 5 minutes, then repeat lighting procedure.

Hot plate Match Lighting

• **Do not lean over barbecue while lighting.**

1. Turn gas burner control valves to ○ (off).
2. Open lid during lighting or re-lighting.
3. Turn ON gas at LP cylinder.
4. Place lit match near burner. Immediately turn hot plate knob to the 🔥 HIGH position. Be sure burner lights and stays lit.



Leak Testing Valves, Hose and Regulator

Leak test before first use, at least once a year, and every time the cylinder is changed or disconnected.

1. Turn all appliance control knobs to ○.
2. Be sure regulator is tightly connected to gas cylinder.
3. Turn on Gas. If you hear a rushing sound, turn gas off immediately. There is a major leak at the connection. Correct before proceeding.
4. Brush soapy solution (mixture of half soap and half water) onto hose connections.
5. If growing bubbles appear, there is a leak. Turn off gas at cylinder immediately and check tightness of connections. If leak cannot be stopped do not try to repair. Call for replacement parts.
6. Always turn off gas at cylinder after performing leak test.

IF APPLIANCE FAILS TO LIGHT

- Make sure gas is turned on at cylinder.
- Make sure there is gas in the cylinder.
- Does the ignitor make a sparking noise?
 - If yes check for spark at burner.
 - If no spark check for damaged or loose wires.
- If wires are OK check for cracked or broken electrode, replace if needed.
- If wire or electrodes are covered by cooking residue, clean electrode tip with alcohol wipe if needed.
- If needed replace wires.
- If no sound check battery.
- Make sure battery is installed correctly.
- Check for loose wire connection at module and switch.
- If ignitor continues to not work then use match.



CAUTION



SPIDER ALERT!

**SPIDER AND WEBS
INSIDE BURNER**



If your barbecue is getting hard to light or the flame is weak, check and clean the venturis and burners.

Spiders or small insects are known to create “flashback” problems by building nests and laying eggs in the barbecue’s venturi or burner obstructing the flow of gas. The backed-up gas can ignite behind the control panel. This flashback can damage your barbecue and cause injury. To prevent flashbacks and ensure good performance, the burner and venturi tube assembly should be removed and cleaned whenever the barbecue has been idle for an extended period of time.

4 (GB)

Cleaning the Burner Assembly

Follow these instructions to clean and/or replace parts of burner assembly or if you have trouble igniting barbecue.

1. Turn gas off at control knobs and LP cylinder.
2. Remove cooking grates and heat tents.
3. Remove carryover tubes and hardware securing burners.
4. Detach electrode from burner.

NOTE: Removal/Detachment method will depend on the burner configuration. See different configurations in illustrations below.

5. Carefully lift each burner up and away from valve openings.

We suggest three ways to clean the burner tubes. Use the one easiest for you.

- A.** Bend a stiff wire (a light weight coat hanger works well) into a small hook. Run the hook through each burner tube several times.



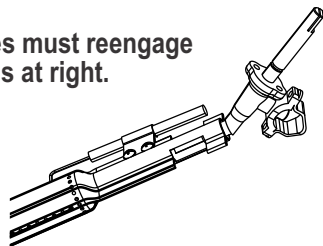
- B.** Use a narrow bottle brush with a flexible handle (do not use a brass wire brush). Run the brush through each burner tube several times.

- C. Wear eye protection:** Use an air hose to force air into the burner tube and out the burner ports. Check each port to make sure air comes out each hole.

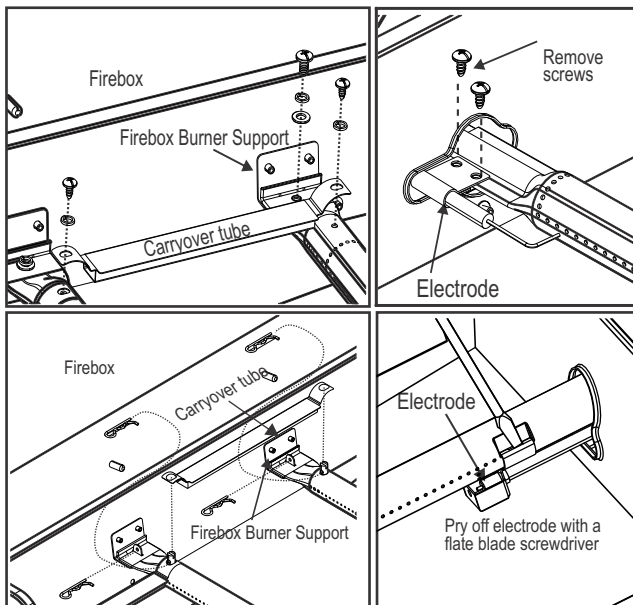
6. Wire brush entire outer surface of burner to remove food residue and dirt.
7. Clean any blocked ports with a stiff wire such as an open paper clip.
8. Check burner for damage due to normal wear and corrosion, some holes may become enlarged. If any large cracks or holes are found, replace burner.

VERY IMPORTANT: Burner tubes must reengage valve openings. See illustrations at right.

Correct burner-to-valve engagement



9. Attach electrode to burner.
10. Carefully replace burners.
11. Attach burners to brackets on firebox.
12. Reposition carryover tubes and attach to burners. Replace heat tents and cooking grates.
13. Before cooking again on barbecue, perform a "Leak Test" and "Burner Flame Check".



Storing Your Appliance

- Clean cooking grates.
- Store in dry location.
- When gas cylinder is connected to appliance, store outdoors in a well-ventilated space and out of reach of children.
- Cover appliance if stored outdoors.
- Store appliance indoors ONLY if gas cylinder is turned off and disconnected, removed from appliance and stored outdoors.
- When removing appliance from storage check for burner obstructions.

General Appliance Cleaning

- Clean appliance often, preferably after each cookout. If a bristle brush is used to clean any of the appliance cooking surfaces, ensure no loose bristles remain on cooking surfaces prior to barbecuing. It is not recommended to clean cooking surface while appliance is hot. Appliance should be cleaned at least once a year.
- Do not mistake brown or black accumulation of grease and smoke for paint. Interiors of gas barbecues are not painted at the factory (and should never be painted). Apply a strong solution of detergent and water or use a appliance cleaner with scrub brush on insides of appliance lid and bottom. Rinse and allow to completely air dry. Do not apply caustic appliance/oven cleaner to painted surfaces.
- Plastic parts: Wash with warm soapy water and wipe dry.
 - Do not use citrisol, abrasive cleaners, degreasers or a concentrated appliance cleaner on plastic parts. Damage to and failure of parts can result.
- Porcelain surfaces: Because of glass-like composition, most residue can be wiped away with baking soda/water solution or specially formulated cleaner. Use nonabrasive scouring powder for stubborn stains.
- Painted surfaces: Wash with mild detergent or nonabrasive cleaner and warm soapy water. Wipe dry with a soft nonabrasive cloth.
- Stainless steel surfaces: To maintain your appliance's high quality appearance, wash with mild detergent and warm soapy water and wipe dry with a soft cloth after each use. Baked-on grease deposits may require the use of an abrasive plastic cleaning pad. Use only in direction of brushed finish to avoid damage. Do not use abrasive pad on areas with graphics.
- Cooking surfaces: If a bristle brush is used to clean any of the appliance cooking surfaces, ensure no loose bristles remain on cooking surfaces prior to barbecuing. It is not recommended to clean cooking surfaces while appliance is hot.

TECHNICAL DATA
CHAR-BROIL, LLC

Appliance Name	Gas Barbeque/Gas Grill			
Total Nominal Heat Input	12,16 kW (885 g/h)		10,84 kW (788,8 g/h)	
Gas Category	I3+(28-30/37)	I3B/P(30)	I3B/P(50)	
Model No.	468641017		468600717	
Gas Type	Butane	Propane	Butane, Propane or their mixtures	Butane, Propane or their mixtures
Gas Pressure	28-30 mbar	37 mbar	30 mbar	50 mbar
Injector Size (Dia. mm)	Barbecue: 0,81 x 3 pcs		Barbecue: 0,81 x 3 pcs	Barbecue: 0,66 x 3 pcs
	Hotplate: 0,91 x 1 pcs		Hotplate: 0,91 x 1 pcs	Hotplate: 0,81 x 1 pcs
Destination Countries	GB, FR, BE, ES, IT, PT, CZ, SK		DK, NO, NL, SE, FI, IS, CZ, IT, SK	AT, DE, CH, LU

Stainless steel

There are many different types (alloys) of materials that are regarded as stainless steel.

A common trait of these different types is that they may corrode (oxidize), depending on the conditions they are subjected to.

This applies to your new barbecue as well.

To ensure your barbecue retains its looks and functionality for many years, please follow the advice below.

- 1) If the barbecue has become wet or damp, make sure to wipe it dry using a cloth in order to prevent surface corrosion.
- 2) Stainless steel can rust under certain conditions. This can be caused by environmental conditions such as chlorine or salt water, or improper cleaning tools such as wire or steel wool. It can also discolor due to heat, chemicals, or grease build-up.
- 3) To maintain your appliance's high quality appearance, wash with mild detergent and warm soapy water and wipe dry with a soft cloth after each use. Baked-on grease deposits may require the use of an abrasive plastic cleaning pad. Use only in direction of brushed finish to avoid damage. Do not use abrasive pad on areas with graphics.
- 4) Grease the internal parts of the barbecue and the grids with cooking oil.

Please note:

To avoid scratching the surface and providing a basis for rust, never use steel wool or similar when cleaning stainless steel. Char-Broil recommends our Eco-Safe Stainless Steel Cleaner Spray, model #5278185, or our Simply Soy Grill Wipes, model 4629294.

When cleaning, work in the same direction the stainless steel was brushed in – 'with the grain'.

Cleaning with abrasives may leave scratches.

Storing the barbecue near a coast, swimming pool or spa will cause the barbecue to corrode (oxidize).

Cover your barbecue for rust protection.

SUBJEKT VYKONÁVAJÚCI INŠTALÁCIU/ MONTÁŽ:

Odovzdajte zákazníkovi užívateľskú príručku.

ZAKAZNÍK:

Uschovajte tento návod pre budúce použitie.

Otázky:

Ak máte otázky týkajúce sa montáže alebo použitia zariadenia, kontaktujte svojho miestneho predajcu

NEBEZPEČENSTVO

Ak zacítite plyn:

1. Vypnite prívod plynu do zariadenia.
2. Uhasťte otvorený oheň.
3. Otvorte poklop.
4. Ak zápach neprestáva, odstúpte od zariadenia a ihneď zavolajte dodávateľa plynu alebo hasičov.

VAROVANIA

1. Neskladujte ani nepoužívajte benzín ani iné horľavé tekutiny v blízkosti tohto alebo iného zariadenia.
2. Neskladujte plynovú fľašu, ktorá nie je pripojená ku grilu, v blízkosti tohto alebo iného zariadenia.

UPOZORNENIE

- Predtým ako začnete s montážou a grilovaním si prečítajte a dodržiavajte bezpečnostné upozornenia a pokyny na montáž, používanie a starostlivosť.
- Niektoré časti majú ostré hrany. Odporúčame používať ochranné rukavice.

Horenie mastných zvyškov

- Zatvorením poklopu nie je možné uhasiť horenie mastných zvyškov. Grily majú z bezpečnostných dôvodov dobré odvetrávanie.
- Na uhasenie horenia mastných zvyškov nepoužívajte vodu, môže dôjsť k zraneniu. Ak horenie neprestáva, vypnite ovládacie tlačidlá a odstavte prívod plynu z plynovej fľaše.
- Zanedbaním pravidelného čistenia zariadenia môže dôjsť k horeniu mastných zvyškov, čo môže spôsobiť poškodenie výrobku. Pri predhrievaní alebo vypaľovaní zbytkov jedla dávajte pozor a zabezpečte, aby nedošlo k požiaru. Predchádzajte takýmto požiarom tak, že budete dodržiavať všeobecné pokyny na čistenie zariadenia a častí horáku. Najlepším spôsobom ako predchádzať takýmto požiarom je pravidelné čistenie zariadenia.
- Pri predhrievaní alebo vypaľovaní zbytkov jedla na stupni HI nenechávajte gril bez dozoru. Zanedbaním pravidelného čistenia zariadenia môže dôjsť k horeniu mastných zvyškov, čo môže spôsobiť poškodenie výrobku.

VAROVANIA

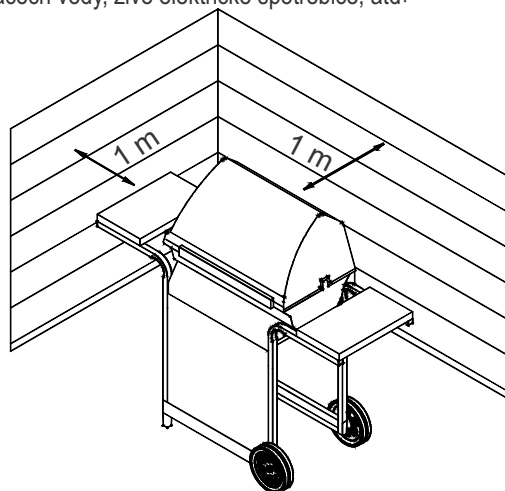
Bezpečné používanie zariadenia

a predchádzanie vážnych zranení.

- ZARIADENIE JE URČENÉ IBA NA VONKAJŠIE POUŽITIE. NIKDY NEPOUŽÍVAJTE VNÚTRI.

Pred použitím zariadenia si prečítajte pokyny. Tieto pokyny vždy dodržiavajte.

- Počas prevádzky zariadenie nikdy nepremiestňujte.
- Prístupné časti môžu byť veľmi horúce. Malé deti udržiavajte v bezpečnej vzdialenosti. Nedovoľte im, aby sa hrali v blízkosti zariadenia.
- Po použití vypnite prívod plynu na plynovej fľaši.
- Zariadenie udržiavajte v bezpečnej vzdialenosti od horľavých materiálov.
- Neupchávajte otvory na bokoch a v zadnej časti zariadenia
- Pravidelne kontrolujte plameň horáku.
- Na horáku neupchávajte otvory Venturiho trubice.
- Zariadenie používajte na dobre vetraných miestach. NIKDY nepoužívajte v uzavretých priestoroch, napr. pod prístreškom na autá, v garáži, verande, krytej terase alebo pod inou strešnou konštrukciou.
- Plynové zariadenie nie je určené na použitie s dreveným uhlím alebo keramickými briketami.
- **NEPOKRÝVAJTE** rošt hliníkovou fóliou alebo iným materiálom. Môže to spôsobiť zablokovanie odvetrávania horáku, tým vytvorí potencionálne nebezpečnú situáciu, ktorá môže viesť k poškodeniu majetku a/alebo zraneniu.
- Zariadenie používajte najmenej 1 meter od steny alebo iného povrchu.
- Zariadenie udržiavajte 3 metre od horľavých predmetov alebo zdrojov vznietenia, ako sú napr. kontrolné žiarovky na ohrievačoch vody, živé elektrické spotrebiče, atď.



- NIKDY sa nepokúšajte zapáliť horák so zatvoreným poklopom. Vo vnútri uzavretého zariadenia môže dôjsť k vytvoreniu nebezpečných nezapálených plynov.
- Pred premiestnením plynovej fľaše z určenej prevádzkovej pozície vždy vypnite prívod plynu na fľaši a odpojte ovládač.
- Ak plynová fľaša nie je na určenej prevádzkovej pozícii, nikdy zariadenie nepoužívajte.
- Na zariadení nevykonávajte žiadne úpravy. Všetky úpravy sú prísne zakázané. Užívateľ nie je oprávnený manipulovať so zapečatenými časťami. Nevykonávajte demontáž vstrekovačov.

Bezpečnostné tipy

- Pred otvorením ventilu plynovej fľaše skontrolujte tesnosť ovládača.
- Keď nie je zariadenie v prevádzke, vypnite všetky ovládacie tlačidlá aj prívod plynu.
- Popáleninám a obareninám predchádzajte použitím rukavíc a náradia na grilovanie s dlhou rúčkou. Pri manipulácii s horúcimi časťami používajte ochranné rukavice.
- Maximálna záťaž ohrevnej platne, ak je súčasťou výbavy, a bočnej poličky je 4,5 kg. Grilovacia nádoba má minimálny priemer 200 mm a maximálny priemer 260 mm. **POZNÁMKA:** Váš gril NEMUSÍ byť vybavený ohrevnou platňou!
- Olejový zásobník (ak je súčasťou výbavy) musíte vložiť do vnútra zariadenia a po každom použití ho vyprázdniť. Neodstraňujte olejový zásobník, pokiaľ zariadenie úplne nevychladlo.
- Buďte opatrní pri otváraní poklopu, pretože hrozí únik horúcej pary.
- Postupujte veľmi opatrne, keď sa v blízkosti nachádzajú deti, starší ľudia alebo domáce zvieratá.
- Ak zistíte, že olej alebo iný horúci materiál kvapká zo zariadenia na ventil, kábel alebo ovládač, ihneď vypnite prívod plynu. Určite príčinu, zabezpečte opravu, následne pred pokračovaním vyčistite a skontrolujte ventil, kábel a ovládač. Vykonajte skúšku tesnosti.
- Neskladujte žiadne predmety alebo materiály vo vnútri krytého vozíka zariadenia, ktoré by mohli zamedziť toku spaľovacieho vzduchu smerom do spodnej časti radiaceho panela alebo kotla.
- PRIPÁJAJTE alebo vymieňajte plynovú nádobu maximálne do troch metrov od otvoreného ohňa alebo iného zápalného zdroja.

Výmena plynovej fľaše

Plynovú fľašu s hmotnosťou do 6 kg umiestnite na zem pod bočnú poličku alebo do vnútra zariadenia na určené miesto. Väčšie fľaše sa musia umiestniť iba pod bočnú poličku alebo za gril. Fľaše, ktoré je možné umiestniť do vnútra zariadenia, musia mať maximálny priemer 340 mm a maximálnu výšku 400 mm. Fľaše stojace na zemi sa nesmú umiestňovať pod ohrevnú platňu.

Požiadavky na ovládač

S týmto zariadením sa musí používať ovládač. Používajte iba plynový ovládač dodaný spolu s týmto grilom. Ak ovládač nie je súčasťou výbavy grilu, potom používajte certifikovaný ovládač v súlade s normou EN16129 (Max. rýchlosť toku 1,5 kg/hod.) a schválený pre vašu krajinu a plyn, ako je to podrobne stanovené v Technických údajoch.

Požiadavky na hadice

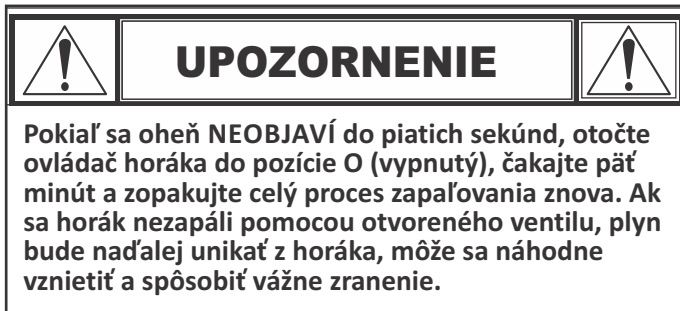
Používajte iba schválenú hadicu, ktorá je certifikovaná podľa príslušnej normy EN a nepresiahne dĺžku 1,5 metra. Vo Fínsku dĺžka hadice nesmie presiahnuť dĺžku 1,2 metra.

Pred každým použitím skontrolujte, či nie sú hadice prerezané alebo opotrebované. Uistite sa, že hadica nie je zauzlená. Zabezpečte, aby sa pripojená hadica nedotýkala žiadnych zohriatych povrchov. Pred použitím zariadenia zabezpečte výmenu poškodených hadíc. Výmenu vykonajte v súlade s vnútroštatnými požiadavkami.

Zapaľovanie ignítorom

- Pri zapaľovaní sa neopierajte o gril.

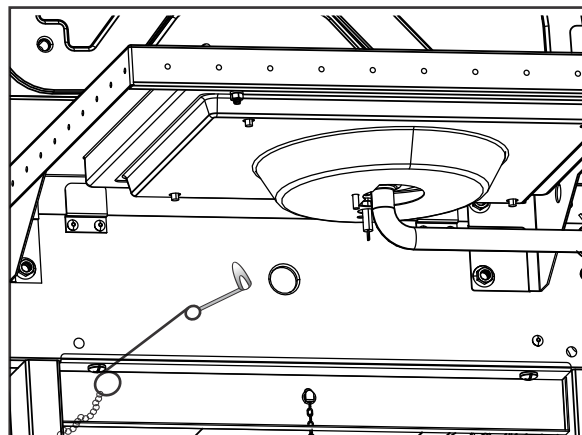
1. Otočte ventily ovládača plynového horáka do pozície O (vypnutý).
2. Počas zapaľovania alebo opätovného zapaľovania majte poklop otvorený.
3. Zapnite prívod plynu na LPG fľaši.
4. Pri zapálení stlačte a otočte gombík horáka do pozície VYSOKÝ (HIGH). Okamžite stlačte a držte tlačidlo ELEKTRONICKÉHO IGNÍTORA, pokiaľ sa horák nezapáli.
5. Pokiaľ sa oheň neobjaví do piatich sekúnd, otočte ovládač horáka do pozície O (vypnutý), čakajte päť minút a zopakujte celý proces zapaľovania znova.
6. Zopakujte kroky 4 a 5 a zapáľte ďalšie hlavné horáky.



Zapaľovanie pomocou zápalkiek

- Pri zapaľovaní sa neopierajte o gril.

1. Otočte ventily ovládača plynového horáka do pozície O (vypnutý).
2. Počas zapaľovania alebo opätovného zapaľovania majte poklop otvorený.
3. Zapnite prívod plynu na LPG fľaši.
4. Umiestnite zápalky do držiaka zápalkiek (je zavesený na bočnom paneli grilu). Zapáľte zápalku; potom zapáľte horák tak, že prestrčíte zápalku cez otvor na bočnej strane grilu. Ihneď ju zasuňte do vnútra a otočte gombík horáka do pozície VYSOKÝ (HIGH). Uistite sa, že horák horí.
5. Postupne zapáľte vedľajšie horáky stlačením gombíkov a otočením do pozície VYSOKÝ (HIGH).



POZNÁMKA: Váš gril NEMUSÍ byť vybavený ohrevnou platňou!

Zapálenie ohrevnej platne pomocou ignítora

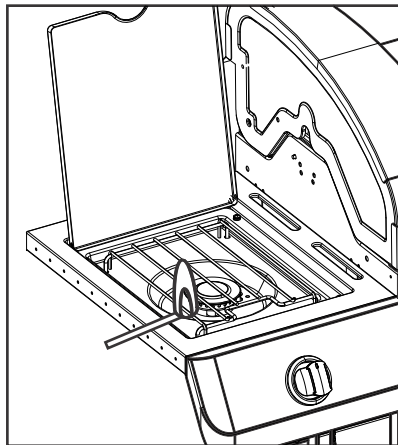
• **Pri zapalovaní sa neopierajte o gril..**

1. Otočte ventily ovládača plynového horáka do pozície O (vypnutý).
2. Počas zapalovania alebo opätovného zapalovania majte pokolp otvorený.
3. Zapnite prívod plynu na LPG fľaši.
4. Otočte gombík ohrevnej platne do pozície VYSOKÝ (HIGH), stlačte a držte tlačidlo ELEKTRONICKÉHO IGNÍTORA.
5. Pokiaľ sa nezapáli ohrevná platňa do piatich sekúnd, otočte ovládač do pozície O (vypnutý), čakajte päť minút a zopakujte celý proces zapalovania znova.

Zapálenie ohrevnej platne pomocou zápalek

• **Pri zapalovaní sa neopierajte o gril.**

1. Otočte ventily ovládača plynového horáka do pozície O (vypnutý).
2. Počas zapalovania alebo opätovného zapalovania majte pokolp otvorený.
3. Zapnite prívod plynu na LPG fľaši.
4. Priložte zapálenú zápalku ku horáku. Okamžite otočte gombík ohrevnej platne do pozície VYSOKÝ (HIGH).



Skúška tesnosti ventilov, hadice a ovládača

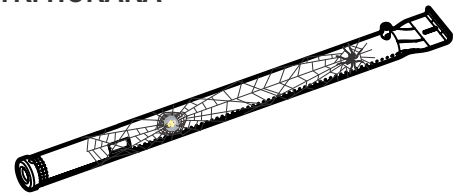
Vykonajte skúšku tesnosti pred prvým použitím, najmenej jedenkrát za rok a vždy pri výmene a odpojení fľaše.

1. Otočte všetky tlačidlá zariadenia do pozície O.
2. Zabezpečte, aby bol ovládač pevne pripojený ku plynovej fľaši.
3. Zapnite prívod plynu. Ak počujete zvuk rýchleho toku plynu, ihneď prívod plynu odstavte. Bude tam veľký únik pri spoji. Predtým, ako budete pokračovať, zabezpečte nápravu.
4. Naneste na hadicové spoje mydlový roztok (zmes mydla a vody v pomere 1:1).
5. Ak sa objavia rastúce bubliny, znamená to, že uniká plyn. Okamžite vypnite prívod plynu na fľaši a skontrolujte tesnosť spojov. Ak sa únik plynu nedá zastaviť, nesnažte sa to opraviť. Zavolajte a požiadajte o náhradné diely.
6. Po vykonaní skúšky tesnosti vždy vypnite prívod plynu na fľaši.



POZOR NA PAVÚKOV

PAVÚKY A PAVUČINY
VO VNÚTRI HORÁKA



Ak sa vám gril ťažko zapaluje alebo je plameň slabý, skontrolujte a vyčistite Venturiho trubicu a horáky.

Pavúky alebo malý hmyz sú známe tým, že svojimi pavučinami a nakladenými vajčkami vo Venturiho trubici alebo horáku grila spôsobujú problémy so spätným zašľahnutím plameňa a tým bránia prúdeniu plynu. Zatiaľ čo zatlačenie plameňa môže zapáliť za kontrolným panelom. Spätné zašľahnutie plameňa môže viesť k poškodeniu grilu a spôsobiť zranenie. Keď sa dlhší čas gril nepoužíva, musíte demontovať a vyčistiť horák a zostavu Venturiho trubice, aby sa predišlo spätnému zašľahnutiu plameňa a bol zabezpečený jeho dobrý výkon.

AK SA VAŠEMU ZARIADENIU NEDARÍ HORIEŤ

- Uistite sa, že je na fľaši zapnutý prívod plynu.
- Uistite sa, že vo fľaši je plyn.
- Vydáva ignítor iskrivý zvuk?
Ak áno, skontrolujte zapalovanie v horáku.
Ak to nie je zapalovanie, skontrolujte, či nie sú káble poškodené alebo uvoľnené.
- Ak sú káble v poriadku, skontrolujte, či nie je elektróda prasknutá alebo nefunkčná, v prípade potreby ju vymeňte.
- Ak sa na kábloch a elektródach nachádzajú zvyšky jedla, v prípade potreby utrite alkoholom hrot elektródy.
- V prípade potreby zabezpečte výmenu káblov.
- V prípade žiadneho zvuku skontrolujte batériu.
- Uistite sa, že je batéria správne namontovaná.
- Skontrolujte, či nie sú pri module a spínači uvoľnené káble.
- Ak ignítor naďalej nefunguje, potom použite zápalky.

Čistenie zostavy horáka

Pri čistení a/alebo výmene častí horáka alebo ak máte problémy so zapálením grilu, postupujte podľa týchto pokynov.

1. **Vypnite prívod plynu na ovládacích tlačidlách a LPG fľaši.**
2. Odstráňte grilovacie rošty a aróma koľajnice.
3. Odstráňte pohyblivé trubice a vybavenie na montáž horákov.
4. Odpojte elektródu z horáka.

POZNÁMKA: Spôsob odstránenia/demontáže bude závisieť od konfigurácie horáka. Rôzne konfigurácie môžete vidieť na nižšie uvedených obrázkoch.

5. Opatrne nadvihnite a vyberte všetky horáky z ventilových otvorov. Odporúčame tri spôsoby čistenia trubice horáka. Riadte sa tým pre vás najľahším spôsobom.

A. Ohnite ostrý drôt (vešiak na ľahší kabát môže dobre poslúžiť) do tvaru menšieho háku. Prestrčte hák niekoľko-krát cez trubicu horáka.



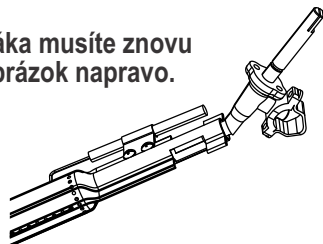
B. Použite úzku kefu na fľašu s ohybnou rukoväťou (v žiadnom prípade nepoužívajte drôtenú kefu), ktorú niekoľko-krát prestrčte cez trubicu horáka.

C. Použite ochranu na oči: Pomocou vzduchovej hadice dostanete vzduch do trubice horáka a von ventilmi horáka. Skontrolujte, či vzduch vychádza zo všetkých ventilov.

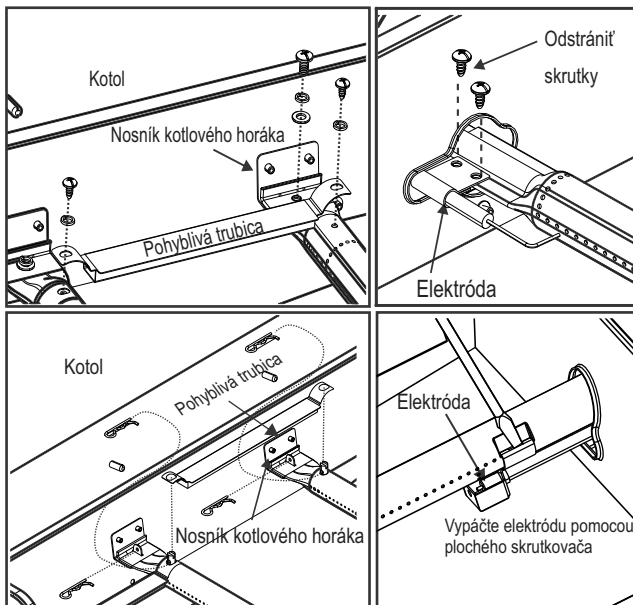
6. Pomocou drôtenej kefy vyčistíte vonkajšiu časť horáku a odstráňte zvyšky jedla a špinu.
7. Vyčistíte všetky upchané ventily pomocou ostrého drôtu, napr. pomocou otvorenej spinky na papier.
8. Uistite sa, že horák nie je poškodený, pretože v dôsledku bežného opotrebovania a korózie sa môžu trhlinky zväčšovať. V prípade, ak nájdete nejaké trhliny, horák radšej vymeňte.

VELMI DÔLEŽITÉ: Trubicu horáka musíte znovu zapojiť cez otvor ventilu. Vid' obrázok napravo.

Správne zapojenie horáka cez otvor ventilu



9. Pripevnite elektródu k horáku.
10. Opatrne vykonajte výmenu horákov.
11. Pripevnite horáky ku držiakom v kotli.
12. Pohyblivé trubice uložte na miesto a pripevnite k horákom. Znovu inštalujte aróma koľajnice a grilovacie rošty.
13. Pred grilovaním znova vykonajte „skúšku tesnosti“ a „kontrolu plameňa na horáku“.



Skladovanie zariadenia

- Vyčistíte grilovacie rošty.
- Zariadenie skladujte na suchom mieste.
- Ak je ku zariadeniu pripojená plynová fľaša, skladujte ho vonku na dobre vetranom mieste a mimo dosahu detí.
- Pri skladovaní vonku používajte na zariadenie obal.
- Skladovať zariadenie vnútri je možné IBA vtedy, keď je plynová fľaša od zariadenia odpojená a uložená vonku.
- Po skladovaní skontrolujte, či sa v horákoch nenachádzajú nejaké prekážky.

Všeobecné pokyny na čistenie zariadenia

- Zariadenie čistíte často, pokiaľ možno po každom grilovaní. Ak na čistenie grilovacích povrchov používate štetinovú kefku, uistite sa, aby uvoľnené štetiny nezostali na grilovacom povrchu pred grilovaním. Odporúča sa čistiť grilovacie povrchy, keď sú horúce. Zariadenie by sa malo vyčistiť aspoň raz za rok.
- Nemýľte si hnedé a čierne usadeniny mastnoty a dymu s farbou. Na vnútornú časť plynového grilu sa ani v továrni nenanáša farba (nikdy by sa nemala). Na čistenie použite silný roztok čistiaceho prostriedku a vody alebo použite čistič so škrabkou a vyčistíte vnútorné časti poklopu a spodnej časti zariadenia. Opláchnite a nechajte na vzduchu úplne vyschnúť. Na povrchy natrené farbou nepoužívajte žieravé látky alebo čističe na rúry.
- Plastové časti: Umyte teplou mydlovou vodou a utrite do sucha.
 - Na plastové časti nepoužívajte citrizol, abrazívne a koncentrované čistiace prostriedky, ani odmasťovače. Môže to viesť k poškodeniu a nefunkčnosti častí zariadenia.
- Porcelánové povrchy: Kvôli zloženiu podobnému sklu sa dá väčšina usadením odstrániť pomocou jedlej sódy/vodného roztoku alebo špeciálne namiešaného čistiaceho prostriedku. Na nepodajnú špinu použite neabrazívny čistiaci prášok.
- Povrchy natrené farbou: Umyte pomocou jemného alebo neabrazívneho čistiaceho prostriedku a teplej mydlovej vody. Utrite do sucha jemnou neabrazívnou handričkou.
- Povrchy z nehrdzavejúcej ocele: Po každom použití umývajte jemným čistiacim prostriedkom a teplou mydlovou vodou, aby si zariadenie uchovalo vzhľad najvyššej kvality. Potom vytrite do sucha jemnou handričkou. Pripálené mastné usadeniny budú vyžadovať použitie abrazívnej plastovej škrabky. Používajte v smere vrúbkovanej úpravy povrchu, aby ste sa vyhli poškodeniu. Abrazívnu škrabku nepoužívajte na plochách s grafikou.
- Grilovacie povrchy: Ak na čistenie všetkých grilovacích povrchov používate štetinovú kefku, uistite sa, aby vypadnuté štetiny nezostali na grilovacích povrchoch pred grilovaním. Neodporúča sa čistiť grilovacie povrchy počas prevádzky grilu.

TECHNICKÉ ÚDAJE
CHAR-BROIL, LLC

Názov zariadenia	Plynový gril			
Celkový menovitý tepelný príkon	12,16 kW (885 g/h)			10,84 kW (788,8 g/h)
Plynová kategória	I3+(28-30/37)	I3B/P(30)	I3B/P(50)	
Číslo modelu	468641017			468600717
Typ plynu	Bután	Propán	Butane, Propane or their mixtures	Butane, Propane or their mixtures
Tlak plynu	28-30 mbar	37 mbar	30 mbar	50 mbar
Veľkosť vstrekača (priemer v mm)	Gril: 0,81 x 3 ks		Gril: 0,81 x 3 ks	Gril: 0,66 x 3 ks
	Ohrevná platňa: 0,91 x 1 ks		Ohrevná platňa: 0,91 x 1 ks	Ohrevná platňa: 0,81 x 1 ks
Cieľové krajiny	GB, FR, BE, ES, IT, PT, CZ, SK		DK, NO, NL, SE, FI, IS, CZ, IT, SK	AT, DE, CH, LU

Nehrdzavejúca oceľ

Existuje veľa rôznych typov materiálov (zliatin), ktoré sa považujú za nehrdzavejúcu oceľ.

Obvyklou vlastnosťou týchto typov materiálov je korózia (oxidácia), ktorá závisí od podmienok, ktorým sú vystavené.

Týka sa to aj vášho nového grilu.

Ak chcete zaistiť, aby si váš gril dlho zachoval svoj pôvodný vzhľad a funkčnosť, riadte sa nižšie uvedenými radami.

- 1) V prípade, ak je gril mokrý alebo vlhký, uistite sa, aby ste ho handričkou vytreli do sucha a takým spôsobom ho chránili pred povrchovou koróziou.
- 2) Nehrdzavejúca oceľ môže za určitých podmienok korodovať. Môže to byť zapríčinené podmienkami okolitého prostredia, napr. vystavením chlorínu alebo slanej vody alebo používaním nesprávnych čistiacich nástrojov, napr. drôtenky alebo vlny z ocele. Taktiež môže zmeniť farbu pôsobením tepla, chemikálií alebo mastných usadenín.
- 3) Po každom použití umývajte jemným čistiacim prostriedkom a teplou mydlovou vodou, aby si zariadenie uchovalo vzhľad najvyššej kvality. Potom vytrite do sucha jemnou handričkou. Pripálené mastné usadeniny budú vyžadovať použitie abrazívnej plastovej škrabky. Používajte iba v smere vrúbkovanej úpravy povrchu, aby ste sa vyhli poškodeniu. Abrazívnu škrabku nepoužívajte na plochách s grafikou.
- 4) Vnútorne časti grilu a rošty ošetrte kuchynským olejom.

Upozorňujeme, že:

Ak sa chcete pri čistení nehrdzavejúcej ocele vyhnúť škrabancom, ktoré môžu viesť ku korózii, nikdy nepoužívajte vlnu z ocele alebo podobné nástroje. Spoločnosť Char-Broil odporúča používať vlastný čistiaci sprej Eco-Safe Stainless Steel Cleaner Spray, model #5278185 alebo utierky na gril Simply Soy Grill Wipes, model 4629294.

Pri čistení postupujte v smere vrúbkovanej úpravy povrchu – v smere „kresby“.

Skladovanie grilu v blízkosti pobrežia, bazéna alebo wellness centra môže viesť ku korózii (oxidácii).

Predchádzajte korózii tak, že gril zakryjete.

MONTÉR:

Tento návod nechte spotřebiteli.

SPOTŘEBITEL:

Tento návod si uschovejte pro budoucí referenci.

Otázky:

Pokud během sestavování nebo používání tohoto přístroje budete mít otázky, obraťte se na místního prodejce.

NEBEZPEČÍ

Pokud ucítíte plyn:

1. Vypněte přívod plynu do přístroje.
2. Uhasťte otevřený oheň.
3. Otevřete víko.
4. Pokud zápach trvá, nezdržujte se v blízkosti přístroje a ihned zavolejte dodavateli plynu nebo požární stanici.

VAROVÁNÍ

1. V blízkosti tohoto nebo jiných přístrojů neskladujte ani nepoužívejte benzín nebo jiné hořlavé kapaliny.
2. V blízkosti tohoto nebo jiných přístrojů nepoužívejte plynový válec, který není připojený pro účely používání.

UPOZORNĚN

- Než se pokusíte přístroj sestavit a vařit na něm, přečtěte si a dodržujte všechny bezpečnostní pokyny, návod k sestavení a péči.
- Některé díly mohou mít ostré hrany. Doporučujeme používání ochranných rukavic.

Hořící tuk

- Hořící tuk není možné uhasit zavřením víka. Grily jsou z bezpečnostních důvodů řádně větrané.
- K hašení hořícího tuku nepoužívejte vodu. Hrozí riziko poranění osob. Pokud dojde k trvalému hoření tuku, vypněte knoflíky a plynový válec.
- Pokud přístroj pravidelně nečistíte, může dojít ke vzplanutí tuku, které může výrobek poškodit. Při předehtřívání nebo vypalování zbytků potravin buďte opatrní, aby nedošlo k hoření tuku. Pro zabránění požáru tuku dodržujte pokyny k obecnému čištění přístrojů a čištění sestavy hořáku. Nejlepším způsobem zabránění požáru tuku je pravidelné čištění přístroje.
- Při předehtřívání nebo spalování zbytků potravin z grilu nenechávejte gril bez dozoru. Pokud gril pravidelně nečistíte, může nastat spalování tuku, které může poškodit výrobek.

VAROVÁNÍ

Pokyny k bezpečnému používání přístroje a prevenci vážného poranění:

- **POUŽÍVEJTE POUZE VENKU. NIKDY NEPOUŽÍVEJTE VEVNITŘ.** Než začnete přístroj používat, přečtěte si tyto pokyny. Vždy je dodržujte.
- Během používání přístrojem nepohybujte.
- Přístupné díly mohou být velmi horké. Udržte mimo dosah dětí. Nenechte děti pohybovat se nebo hrát si v blízkosti přístroje.
- Po použití vypněte zásobení válce plynem.
- Tento přístroj musí být během používání uchovávan mimo hořlavé materiály.
- Neblokujte otvory po stranách nebo na zadní stěně přístroje.
- Pravidelně kontrolujte plameny hořáku.
- Neblokujte Venturiho trubice na hořáku.
- Přístroj používejte pouze v řádně větraném prostoru. NIKDY nepoužívejte v uzavřeném prostoru, jako je přístřešek pro auto, garáž, přístřešek, uzavřená terasa nebo pod stropní strukturou jakéhokoli druhu.
- Na plynovém přístroji nepoužívejte černé uhlí nebo brikety.
- **NEPŘEKRÝVEJTE** mřížky alobalem ani jiným materiálem. Došlo by tím k zablokování větrání hořáku a vzniku potenciálně nebezpečného stavu vedoucího k poškození majetku nebo poranění osob.
- **Přístroj používejte nejméně ve vzdálenosti 1 metro od jakékoli stěny nebo povrchu.** Udržte vzdálenost 3 m od objektů, které mohou zachytit plamen, nebo od zdrojů vznícení, jako jsou pilotní kontrolky na ohřívacích vody, živé elektrické přístroje atd.



- NIKDY se nepokoušejte zažehnout hořák, když je zavřené víko. Nahromadění nevznětlivého plynu uvnitř zavřeného přístroje je nebezpečné.
- Před přemístěním plynového válce z dané provozní polohy vždy vypněte plyn na válci a odpojte regulátor.
- Přístroj nikdy neprovozujte s plynovým válcem mimo správnou pozici.
- Přístroj nemodifikujte. Jakákoli modifikace je přísně zakázána. Uživatel nesmí manipulovat s utěsněnými díly. Nedemontujte vstříkovače.

Bezpečnostní tipy

- Před otevřením plynového válce zkontrolujte těsnost regulátoru.
- Když přístroj nepoužíváte, vypněte všechny kontrolky a plyn.
- Používejte grilovací příslušenství s dlouhou rukojetí a chňapky, abyste se vyhnuli popáleninám a postříkání horkým tukem. Při manipulaci s horkými součástmi používejte ochranné rukavice.
- Maximální zatížení plotýnky (pokud je k dispozici) a postranního regálu je 4,5 kg. Minimální průměr varné nádoby je 200 mm a maximální 260 mm.
POZNÁMKA: Gril NEMUSÍ být vybaven plotýnkou.
- Pokud je k dispozici kelímek na tuk, musí být vložen do přístroje a po každém použití vyprázdněn. Kelímek na tup nevyjímejte, dokud přístroj zcela nevychladne.
- Při otvírání víka buďte velmi opatrní, protože může dojít k úniku horké páry.
- Pokud jsou v blízkosti děti, starší osoby nebo domácí zvířata, buďte velmi opatrní.
- Pokud si všimnete, že z přístroje kape tuk nebo jiný horký materiál na ventil, hadici nebo regulátor, vypněte ihned dodávku plynu. Určete příčinu, napravte ji a potom vyčistěte a zkontrolujte ventil, hadici a regulátor. Teprve potom pokračujte. Provedte test na únik.
- Neuchovávejte objekty ani jiné materiály uvnitř krytu vozíku přístroje. Tím by došlo k zablokování průtoku spalovaného vzduchu do spodní strany ovládacího panelu nebo misky plamenice.
- NEODPOJUJTE ani nevyměňujte plynový kontejner ve vzdálenosti do 3 metrů od otevřeného ohně nebo jiného zdroje vznícení.

Umístění válce

Válec o hmotnosti 6 nebo méně kg může být položen na zem pod bočním regálem nebo do vyhrazeného prostoru uvnitř přístroje. Větší válec je nutné umístit pod boční regál nebo za gril. Válec umístěný do přístroje smí mít maximální průměr 340 mm a maximální výšku 400 mm. Válec umístěný na zemi nesmí být pod plotýnkou.

Požadavky na regulátor.

S tímto přístrojem je nutné používat regulátor. Používejte pouze plynový regulátor dodaný s grilem. Pokud regulátor není součástí dodávky, používejte pouze regulátor certifikovaný podle normy EN16129 (maximální rychlost průtoku 1,5 kg/h) a schválený jako regulátor pro vaši zemi a plyn specifikovaný v části Technické údaje.

Požadavky na hadici

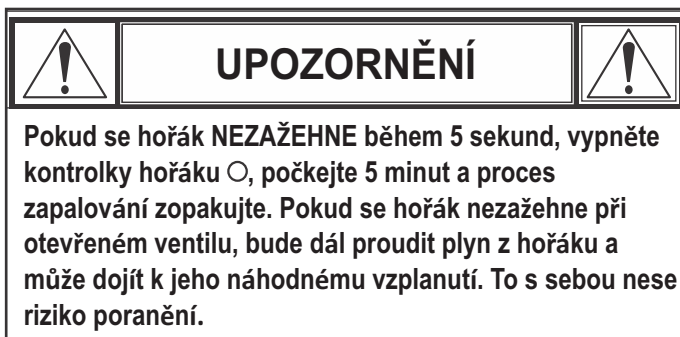
Používejte pouze schválenou hadici certifikovanou podle příslušné normy EN, jejíž délka nepřekračuje 1,5 m. Ve Finsku nesmí být hadice delší než 1,2 m.

Před každým použitím zkontrolujte, zda nejsou hadice uříznuté nebo opotřebené. Zkontrolujte, zda není hadice ohnutá. Zajistěte, aby se připojená hadice nedotýkala žádných teplých povrchů. Před použitím přístroje vyměňte poškozené hadice. Hadici vyměňujte v souladu s místními požadavky.

Zapálení podpalovače

- Při zapalování se nenaklánějte nad gril.

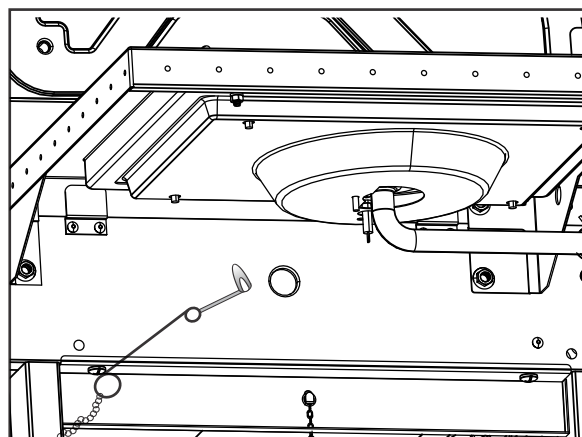
1. Otočte ventily ovládání plynového hořáku do polohy ○ (vypnuto).
2. Během zapalování nebo opětovného zapalování otevřete víko.
3. Zapněte plyn na válci LP.
4. Při zapalování otočte knoflík hořáku do polohy 🔥 VYSOKÉ. Ihned stiskněte a podržte tlačítko ELECTRONIC IGNITOR (elektrické zapalování) a počkejte na zažehnutí hořáku.
5. Pokud se hořák NEZAŽEHNE během 5 sekund, vypněte kontrolky hořáku ○, počkejte 5 minut a proces zapalování zopakujte.
6. Opakujte kroky 4 a 5 k zapálení ostatních hlavních hořáků.



Použití zápalek

- Při zapalování se nenaklánějte nad gril.

1. Otočte ventily ovládání plynového hořáku do polohy ○ (vypnuto).
2. Během zapalování nebo opětovného zapalování otevřete víko.
3. Zapněte plyn na válci LP.
4. Zápalky položte na držák (na boční straně grilu). Škrtněte zápalkou a potom zažehněte hořák vložením zápalky do otvoru na zápalku na boční straně grilu. Ihned otočte knoflík hořáku do polohy 🔥 VYSOKÁ. Ujistěte se, že se hořák zapálil a zůstal zapálený.
5. Postupně zapalujte sousedící hořáky stisknutím tlačítek a otočením do polohy 🔥 VYSOKÁ.



POZNÁMKA: Gril NEMUSÍ být vybaven plotýnkou

Zažehnutí podpalovače plotýnky

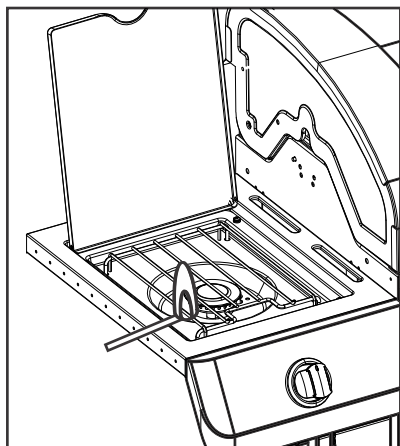
• Při zapalování se nenaklánějte nad gril.

1. Otočte ventily ovládání plynového hořáku do polohy ○ (vypnuto).
2. Během zapalování nebo opětovného zapalování otevřete víko.
3. Zapněte plyn na válci LP.
4. Otočte knoflík plotýnky do polohy 🔥 VYSOKÁ, zatlačte a podržte. Tlačítko **ELECTRONIC IGNITOR** (elektronický zapalovač).
5. Pokud se plotýnka NEZAŽEHNE do 5 sekund, ○ otočte knoflík do vypnuté polohy, počkejte 5 minut a zopakujte postup zapalování.

Zažehnutí plotýnky zápalkou

• Při zapalování se nenaklánějte nad gril.

1. Otočte ventily ovládání plynového hořáku do polohy ○ (vypnuto).
2. Během zapalování nebo opětovného zapalování otevřete víko.
3. Zapněte plyn na válci LP.
4. Přiložte zapálenou zápalku k hořáku. Ihned otočte knoflík plotýnky do polohy 🔥 VYSOKÁ. Ujistěte se, že se hořák zapálil a zůstal zapálený.



Testování ventilů, hadice a regulátoru na únik plynu

Test úniku provádějte před prvním použitím, nejméně jednou ročně a při každé výměně nebo odpojování válce.

1. Přesuňte všechny ovládací knoflíky na přístroji do polohy ○.
2. Ujistěte se, že je regulátor těsně připevněný k plynovému válci.
3. Zapněte plyn. Pokud uslyšíte syčivý zvuk, ihned plyn vypněte. Ve spoji dochází k zásadnímu úniku. Než budete pokračovat, závadu opravte.
4. Očistěte spoje hadiček kartáčkem s mýdlovým roztokem (směs vody a mýdlového roztoku v poměru 1:1).
5. Pokud se objeví narůstající počet bublin, dochází k úniku. Ihned vypněte plyn ve válci a zkontrolujte těsnost spojů. Pokud únik nelze zastavit, nepokoušejte se o opravu. Vyžádejte si náhradní díly.
6. Po provedení testu úniku vždy vypněte plyn ve válci.

UPOZORNĚN

UPOZORNĚNÍ NA PAVOUKY!

**PAVOUCI A PAVUČINY
UVNITŘ HOŘÁKU**

Pokud se vám gril nnesnadno zapaluje nebo je slabý plamen, zkontrolujte a vyčistěte Venturiho trubice a hořáky.

Je známé, že pavouci nebo malý hmyz způsobují problémy se „zpětným výšlehem plamene,“ protože si budují hnízda a nechávají vajíčka ve Venturiho trubici nebo hořácích a blokují tak průtok plynu. Nahromaděný plyn může za ovládacím panelem vzplanout. Tento zpětný výšleh plamene může gril poškodit a způsobit poranění. Pro zabránění zpětného výšlehu plamene a zajištění správného výkonu je vhodné vyjmout sestavení hořáku a Venturiho trubice a vyčistit je pokaždé, když byl gril delší dobu v nečinnosti.

POKUD NENÍ MOŽNÉ ZAPÁLIT PLYN

- Ujistěte se, že je ve válci zapnutý přívod plynu.
- Ujistěte se, že je ve válci plyn.
- Ozývá se ze zapalovače zvuk jiskření?
Pokud ano, zkontrolujte, zda jsou jiskry u hořáku.
Pokud ne, zkontrolujte, zda nejsou poškozené nebo uvolněné dráty.
- Pokud jsou dráty v pořádku, zkontrolujte, zda není prasklá nebo zlomená elektroda a v případě potřeby ji vyměňte.
- Pokud jsou na drátech nebo elektrodách zbytky po vaření, vyčistěte v případě potřeby hrot elektrody ubrouskem namočeným v alkoholu.
- Pokud to bude potřeba, vyměňte dráty.
- Pokud se neozývá žádný zvuk, zkontrolujte baterii.
- Ověřte, zda je baterie správně vložena.
- Zkontrolujte, zda nejsou uvolněné spoje drátů v modulu a spínači.
- Pokud zapalovač stále nefunguje, použijte zápalky.

69

Čištění sestavy hořáku

Podle následujících pokynů vyčistíte nebo vyměňte díly sestavy hořáku. Tento postup proveďte také v případě, že máte problém se zažehnutím plamene.

1. **Vypněte plyn na ovládacích knoflících a válci LP.**
2. Sundejte grilovací mřížky a tepelné stany.
3. Sundejte propouštěcí trubky a prvky zajišťující hořáky.
4. Odpojte z hořáku elektrodu.

POZNÁMKA: Způsob demontáže závisí na konfiguraci hořáku. Viz různé konfigurace na následujících obrázcích.

5. Opatrně zažehněte jednotlivé hořáky směrem nahoru a mimo otvory ventilů. Trubky hořáku doporučujeme čistit jedním ze tří způsobů. Vyberte si ten, který považujete za nejjednodušší.

A. Vytvarujte pevný drát (vhodné je třeba drátěné ramínko na šaty) do malého háčku. Několikrát háček protáhněte jednotlivými trubicemi hořáků.



B. Použijte tenký kartáček na láhve s pružnou rukojetí (nepoužívejte mosazný drátový kartáč). Několikrát kartáček protáhněte jednotlivými trubicemi hořáků.

C. Používejte ochranu očí: Vzduchovou hadicí foukejte vzduch do trubice hořáku a ven z otvorů hořáků. Zkontrolujte u každého otvoru, zda vychází vzduch ven.

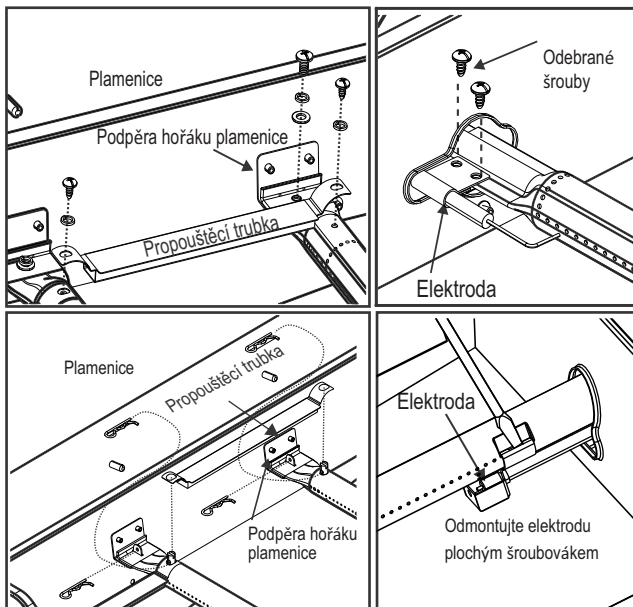
6. Drátěným kartáčkem otřete celý vnější povrch hořáku k odstranění zbytků jídla a nečistot.
7. Jakékoli zablokované otvory vyčistíte pevným drátem, například rozevřenou svorkou na papír.
8. Zkontrolujte, zda není hořák poškozený v důsledku běžného opotřebení a koroze. Některé otvory mohou být zvětšené. Pokud najdete velké praskliny nebo díry, hořák vyměňte.

VELMI DŮLEŽITÉ: Trubice hořáku musí znovu zapadnout do otvorů ventilů. Viz obrázek napravo.

Správné zapojení hořáku k ventilu



9. Připojte k hořáku elektrodu.
10. Opatrně nasadte hořáky.
11. Připojte hořáky ke konzolám na plamenici.
12. Znovu nasadte propouštěcí trubky a připojte je k hořákům. Nasadte zpět tepelné stany a grilovací mřížky.
13. Před dalším použitím grilu proveďte *test úniku a kontrolu plamene hořáku*. and "Burner Flame Check".



Skladování přístroje

- Vyčistíte grilovací mřížky.
- Uchovávejte je na suchém místě.
- Když je k přístroji připojen plynový válec, uchovávejte jej venku v řádně větraném prostoru a mimo dosah dětí.
- Pokud přístroj uchováváte venku, přikryjte ho.
- Přístroj uchovávejte uvnitř, POUZE pokud je plynový válec vypnutý a odpojený, vyjmutý z přístroje a uchovávaný venku.
- Při vyjímání přístroje z úložného prostoru zkontrolujte, zda nejsou hořáky blokovány.

Obecné postupy při čištění

- Přístroj často čistěte, ideálně po každém použití. Pokud k čištění jakéhokoli varného povrchu přístroje používáte štětinový kartáček, ověřte, zda na povrchu nezůstaly nějaké štětiny. Teprve potom zahajte grilování. Nedoporučujeme čistit varný povrch, když je přístroj horký. Přístroj je nutné čistit nejméně jednou ročně.
- Dejte pozor, abyste nezaměnili hnědý nebo černý nános tuku a kouře za lak. Vnitřní stěny plynových grilů nejsou z výroby nalakované (a není vhodné je lakovat). Na čištění vnitřní a spodní strany přístroje použijte silný roztok mycího prostředku a vody nebo čistící přístroje a kartáček.
- Opláchněte a nechte uschnout na vzduchu. Na lakované plochy nepoužívejte žíravé přípravky ani čističe trouby.
- Plastové díly: Omyjte teplou mýdlovou vodou a osušte.
- Na plastové díly nepoužívejte citrisol, abrazivní čisticí prostředky, odmašťovače nebo koncentrované čisticí prostředky. Mohlo by dojít k poškození těchto dílů a jejich závadě.
- Porcelánové plochy: Většinu usazenin tvoří tukové složky, takže je lze otřít roztokem jedlé sody s vodou nebo speciálně složeným čisticím přípravkem. Na odolné skvrny použijte neabrazivní prášek.
- Lakované plochy: Umyjte mírným roztokem nebo neabrazivním čisticím prostředkem a teplou mýdlovou vodou. Utřete do sucha suchým neabrazivním hadříkem.
- Plochy z nerezové oceli: Pro zachování kvalitního vzhledu přístroje doporučujeme umývat ho mírným roztokem čisticího prostředku a teplé mýdlové vody a utřít dosucha jemným hadříkem po každém použití.
- Spečený tuk může vyžadovat použití abrazivní plastové čisticí utěrky. Používejte pouze ve směru brusného povrchu, aby nedošlo k poškození. Abrazivní utěrku nepoužívejte na oblastech s obrázkem.
- Varné plochy: Pokud k čištění jakéhokoli varného povrchu přístroje používáte štětinový kartáček, ověřte, zda na povrchu nezůstaly nějaké štětiny. Teprve potom zahajte grilování. Nedoporučujeme čistit varný povrch, když je přístroj horký.

TECHNICKÉ ÚDAJE CHAR- BROIL, LLC

TECHNICKÉ ÚDAJE CHAR- BROIL, LLC				
Název přístroje	Plynový gril			
Celkový nominální teplotní vstup	12,16 kW (885 g/h)			10,84 kW (788,8 g/h)
Kategorie plynu	I3+(28-30/37)	I3B/P(30)	I3B/P(50)	
Č. modelu	468641017			468600717
Typ plynu	Butan	Propan	Butan, propan nebo jejich směsi	Butan, propan nebo jejich směsi
Tlak plynu	28–30 mbar	37 mbar	30 mbar	50 mbar
Velikost vstřikovače (průměr mm)	R ϕ š0,81 x 3 ks		R ϕ š0,81 x 3 ks	Rošt: 0,66 x 3 ks
	Plotýnka: 0,91 x 1 ks		Plotýnka: 0,91 x 1 ks	Plotýnka: 0,81 x 1 ks
Určeno pro země:	GB, FR, BE, ES, IT, PT, CZ, SK		DK, NO, NL, SE, FI, IS, CZ, IT, SK	AT, DE, CH, LU

Nerezov a ocel

Za nerezovou ocel je považována spousta různých typů (slitin) materiálů. Běžnou vlastností těchto různých typů je, že mohou korodovat (oxidovat) v závislosti na podmínkách, kterým jsou vystaveny.

To platí i pro váš nový gril.

Pro zajištění zachování vzhledu a funkčnosti grilu po mnoho let se prosím řiďte následujícími radami.

- 1) Pokud se gril namočí nebo zvlhne, utřete ho dosucha utěrkou. Tím předejdete zrezivění jeho povrchu.
- 2) Nerezová ocel může za určitých podmínek korodovat. Důvodem mohou být vnější podmínky jako chlorovaná nebo slaná voda nebo nesprávné nástroje k čištění, například drátěný kartáč nebo drátěnka. Může také nastat ztráta barvy v důsledku tepla, chemikálií nebo hromadění tuku.
- 3) Pro zachování kvalitního vzhledu přístroje doporučujeme umývat ho mírným roztokem čisticího prostředku a teplé mýdlové vody a utřít dosucha jemným hadříkem po každém použití. Spečený tuk může vyžadovat použití abrazivní plastové čisticí utěrky. Používejte pouze ve směru brusného povrchu, aby nedošlo k poškození. Abrazivní utěrku nepoužívejte na oblastech s obrázkem.
- 4) Vnitřní části a mřížky grilu natřete tukem na vaření.

Poznámka:



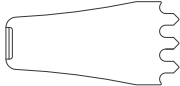


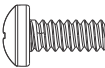

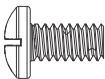

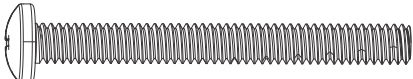
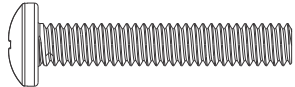
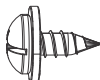
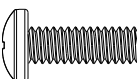
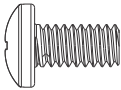
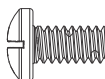
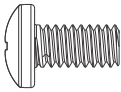


Z důvodu zabránění poškrábání povrchu, který by připravil základ pro korozi, k čištění nerezové oceli nikdy nepoužívejte drátěnku ani podobné nástroje. Společnost Char-Broil doporučuje náš ekologický sprej na čištění nerezové oceli, model #5278185 nebo naše ubrousky na čištění grilů Simply Soy, model 4629294.

Při čištění postupujte ve stejném směru, v jakém je kartáčovaná nerezová ocel – „po srsti“. Čištění abrazivními prostředky může zanechat škrábance.

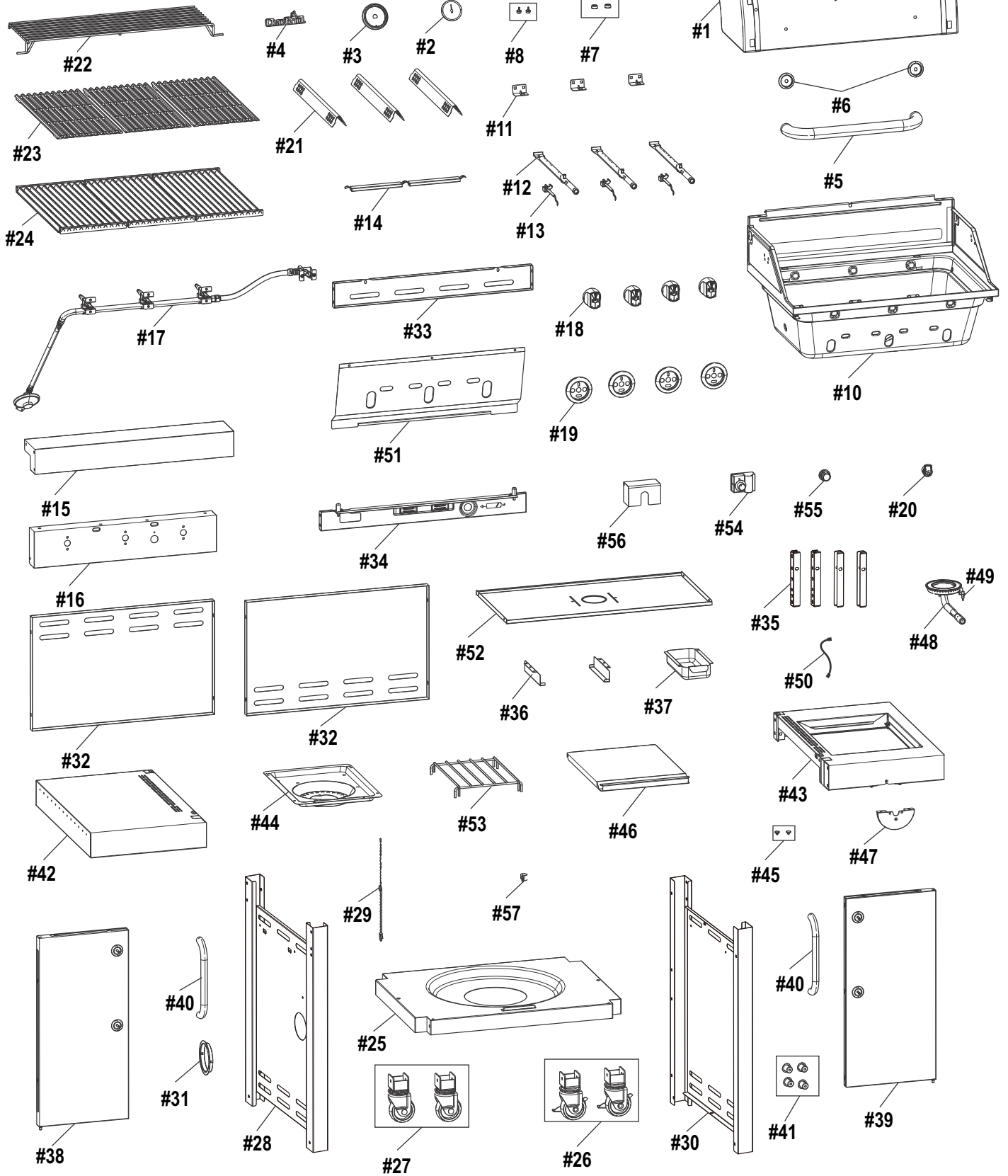
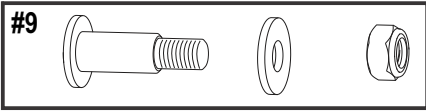
Uchování grilu v blízkosti pobřeží, bazénu nebo sauny způsobí korozi (oxidaci) grilu.

Pro zajištění ochrany před korozi gril přikryjte.

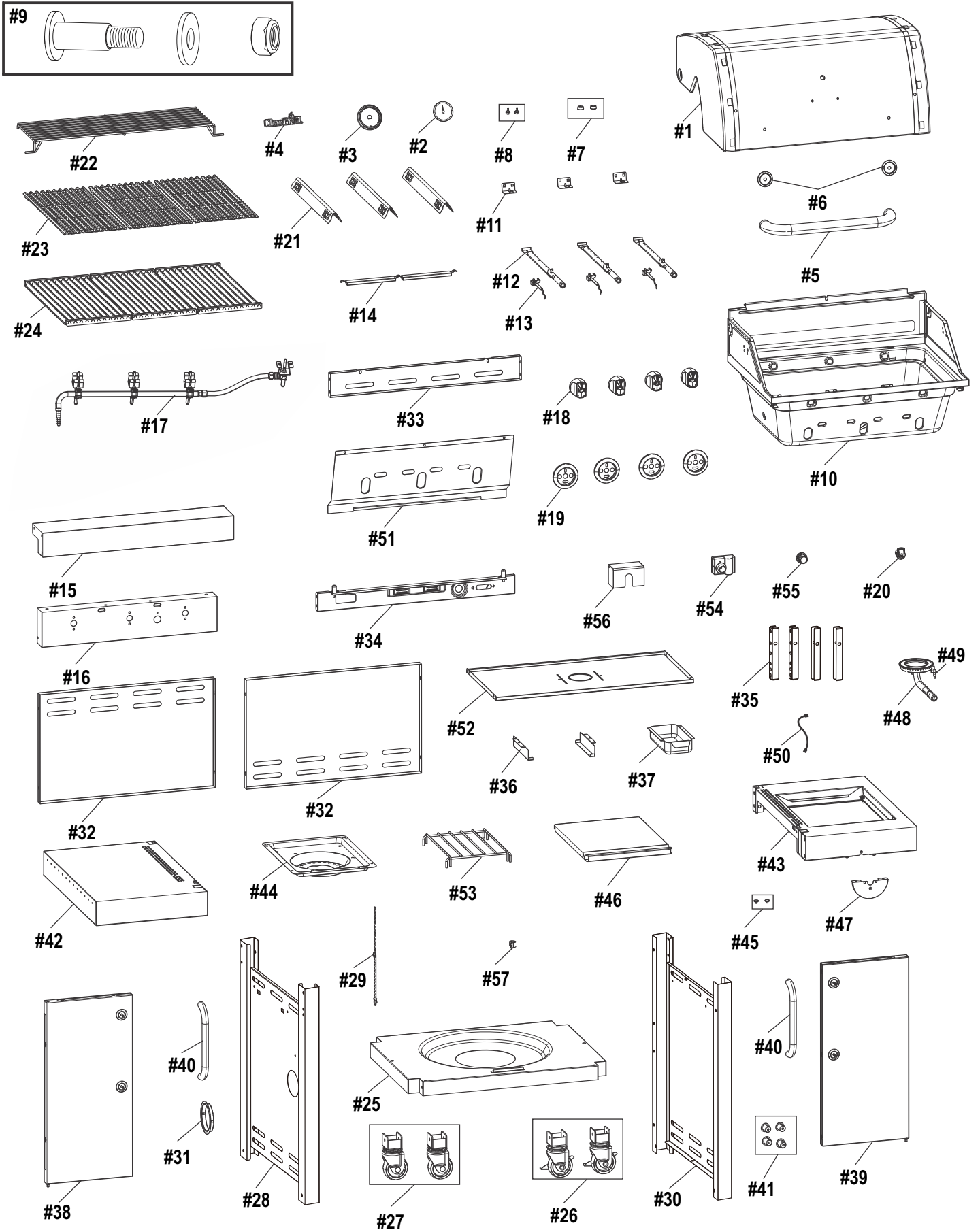
HARDWARE LIST

Key	Description	Picture	Qty
A	Knob		1
B	Bezel, Knob		1
C	Cleaning Tool		1
D	1/4" Nut		4
E	No.10-24UNC Nut		1
F	#8-32x3/8" Screw		2
G	M4 Wing Nut		1
H	#10-24x3/8" Screw		2
J	Hose Clip		1
K	1/4-20x2-3/8" Screw		6
L	1/4-20x1 1/2" Screw		4
M	#8x3/8" self-tapping Screw		9
N	#10-24x3/4" Screw		4
P	1/4-20x1/2" Screw(Black)		12
R	#10-24x3/8" Screw(Black)		5
S	1/4-20x1/2" Screw		16
T	Hitch Pin Clip		6
U	Door Bushing		4

PARTS DIAGRAM - 468600717 / 468641017DK



PARTS DIAGRAM - 468641017



PARTS LIST- 468600717 / 468641017DK

Key	Qty	Description
1	1	TOP LID
2	1	TEMPERATURE GAUGE
3	1	BEZEL, F/ TEMP GAUGE
4	1	LOGO PLATE
5	1	HANDLE F/ TOP LID
6	2	BEZEL, F/ HANDLE
7	2	RUBBER BUMPER, W/ HOLE, F/ TOP LID
8	2	RUBBER BUMPER, ROUND
9	1	TOP LID HARDWARE
10	1	FIREBOX
11	3	BURNER BRACE
12	3	MAIN BURNER TUBE, NO ELECTRODE
13	3	ELECTRODE SET, F/ MAIN BURNER
14	2	FLAME CARRY OVER TUBE
15	1	MAIN CONTROL PANEL, TOP
16	1	MAIN CONTROL PANEL, BOTTOM
17	1	HOSE VALVE REGULATOR
18	4	CONTROL KNOB
19	4	BEZEL, KNOB
20	1	IGNITER SWITCH MODULE
21	3	HEAT TENT
22	1	WARMING RACK
23	3	COOKING GRATE
24	3	COOKING GRATE, INFRARED EMITTER
25	1	BOTTOM SHELF
26	2	CASTER, LOCKING
27	2	CASTER, FIXED
28	1	LEFT CART ASSEMBLY
29	1	MATCH HOLDER
30	1	RIGHT CART ASSEMBLY
31	1	GROMMET
32	2	REAR PANEL LOWER
33	1	REAR PANEL UPPER
34	1	FRONT DOOR BRACE
35	4	SIDE SHELF CONNECTION BRACE
36	2	RAIL, F/ GREASE TRAY
37	1	GREASE TRAY
38	1	LEFT DOOR, NO HANDLE
39	1	RIGHT DOOR, NO HANDLE

Key	Qty	Description
40	2	HANDLE, F/ DOOR
41	4	DOOR BUSHING, F/ HANDLE
42	1	LEFT SIDE SHELF
43	1	HOT PLATE SHELF
44	1	DRIP PAN, F/ HOT PLATE
45	2	SILICONE RUBBER BUMPER, F/ HOT PLATE
46	1	HOT PLATE LID
47	1	CONTROL PANEL, F/ HOT PLATE SHELF
48	1	HOT PLATE
49	1	ELECTRODE, F/ HOT PLATE
50	1	WIRE, F/ HOT PLATE ELECTRODE
51	1	HEAT SHIELD, FIREBOX
52	1	HEAT SHIELD, F/ TANK
53	1	GRATE, F/ HOT PLATE
54	1	ELECTRONIC IGNITION MODULE
55	1	CAP, F/ EI MODULE
56	1	HEAT SHIELD, F/ IGNITION MODULE
57	1	REGULATOR HOSE CLIP

NOT Pictured

...	2	MAGNET
...	1	PRODUCT GUIDE, EUROPE
...	1	HARDWARE PACK
	1	IR CLEANING TOOL

NOTE: Some grill parts shown in the assembly steps may differ slightly in appearance from those on your particular grill model. However, the method of assembly remains the same.

PARTS LIST - 468641017

Key	Qty	Description
1	1	TOP LID
2	1	TEMPERATURE GAUGE
3	1	BEZEL, F/ TEMP GAUGE
4	1	LOGO PLATE
5	1	HANDLE F/ TOP LID
6	2	BEZEL, F/ HANDLE
7	2	RUBBER BUMPER, W/ HOLE, F/ TOP LID
8	2	RUBBER BUMPER, ROUND
9	1	TOP LID HARDWARE
10	1	FIREBOX
11	3	BURNER BRACE
12	3	MAIN BURNER TUBE, NO ELECTRODE
13	3	ELECTRODE SET, F/ MAIN BURNER
14	2	FLAME CARRY OVER TUBE
15	1	MAIN CONTROL PANEL, TOP
16	1	MAIN CONTROL PANEL, BOTTOM
17	1	HOSE VALVE
18	4	CONTROL KNOB
19	4	BEZEL, KNOB
20	1	IGNITER SWITCH MODULE
21	3	HEAT TENT
22	1	WARMING RACK
23	3	COOKING GRATE
24	3	COOKING GRATE, INFRARED EMITTER
25	1	BOTTOM SHELF
26	2	CASTER, LOCKING
27	2	CASTER, FIXED
28	1	LEFT CART ASSEMBLY
29	1	MATCH HOLDER
30	1	RIGHT CART ASSEMBLY
31	1	GROMMET
32	2	REAR PANEL LOWER
33	1	REAR PANEL UPPER
34	1	FRONT DOOR BRACE
35	4	SIDE SHELF CONNECTION BRACE
36	2	RAIL, F/ GREASE TRAY
37	1	GREASE TRAY
38	1	LEFT DOOR, NO HANDLE
39	1	RIGHT DOOR, NO HANDLE

Key	Qty	Description
40	2	HANDLE, F/ DOOR
41	4	DOOR BUSHING, F/ HANDLE
42	1	LEFT SIDE SHELF
43	1	HOT PLATE SHELF
44	1	DRIP PAN, F/ HOT PLATE
45	2	SILICONE RUBBER BUMPER, F/ HOT PLATE
46	1	HOT PLATE LID
47	1	CONTROL PANEL, F/ HOT PLATE SHELF
48	1	HOT PLATE
49	1	ELECTRODE, F/ HOT PLATE
50	1	WIRE, F/ HOT PLATE ELECTRODE
51	1	HEAT SHIELD, FIREBOX
52	1	HEAT SHIELD, F/ TANK
53	1	GRATE, F/ HOT PLATE
54	1	ELECTRONIC IGNITION MODULE
55	1	CAP, F/ EI MODULE
56	1	HEAT SHIELD, F/ IGNITION MODULE
57	1	REGULATOR HOSE CLIP

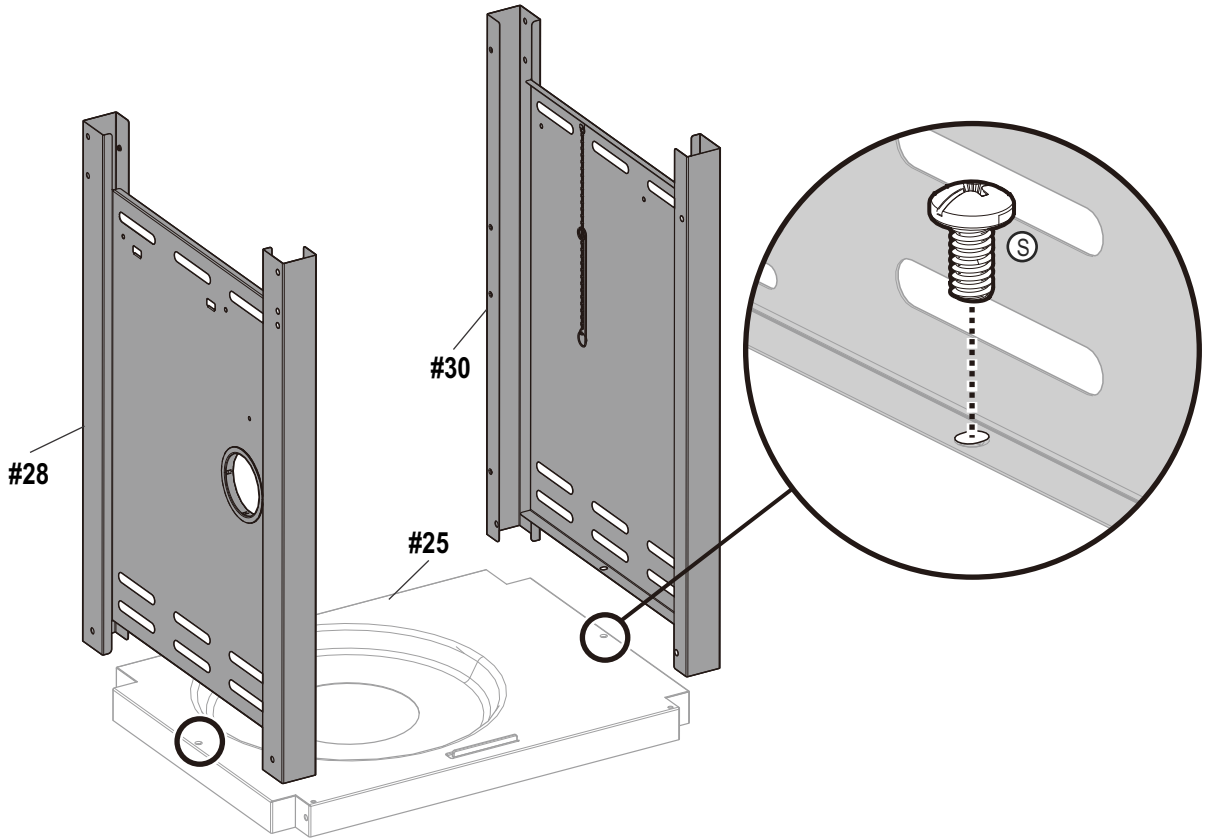
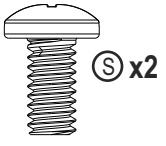
NOT Pictured

...	2	MAGNET
...	1	PRODUCT GUIDE, EUROPE
...	1	HARDWARE PACK
...	1	IR CLEANING TOOL

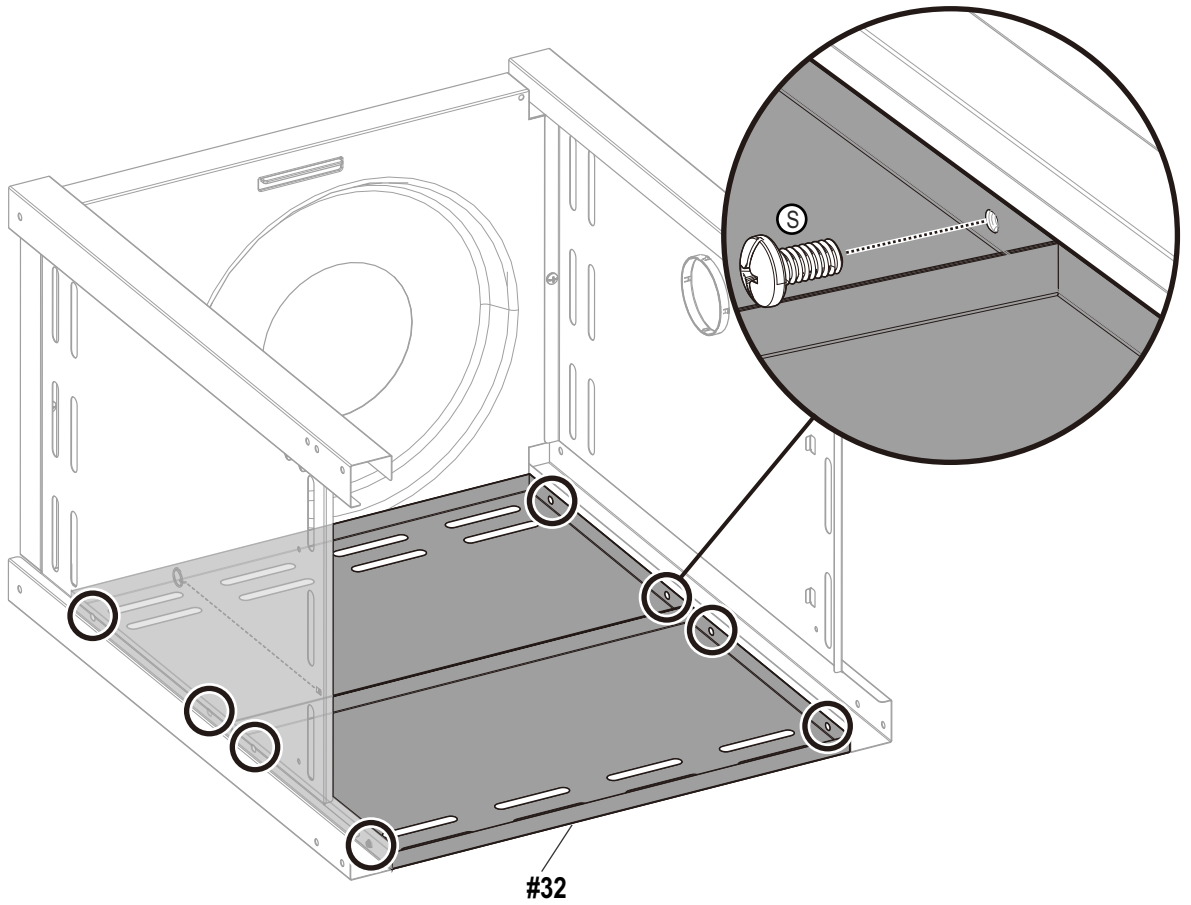
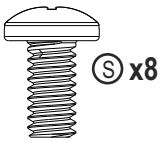
NOTE: Some grill parts shown in the assembly steps may differ slightly in appearance from those on your particular grill model. However, the method of assembly remains the same.

ASSEMBLY

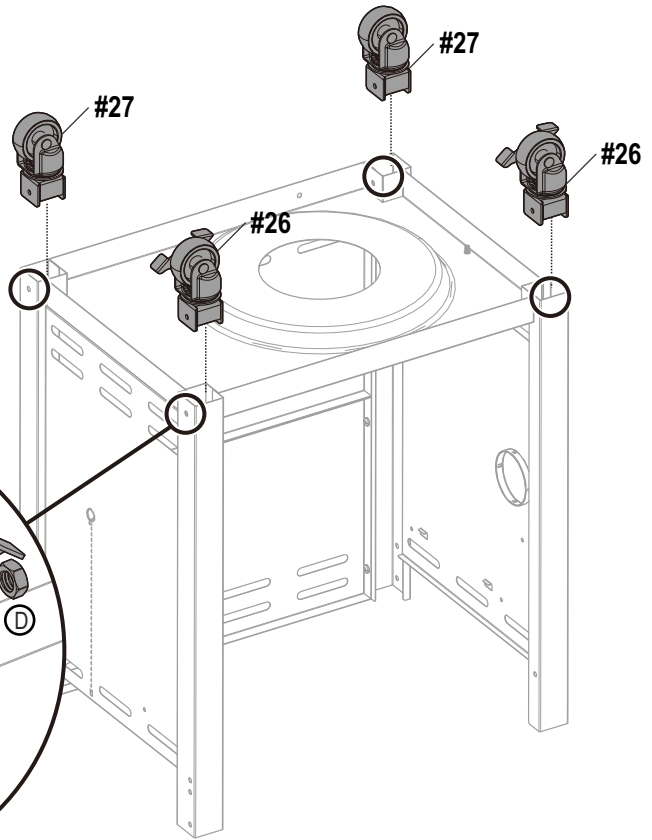
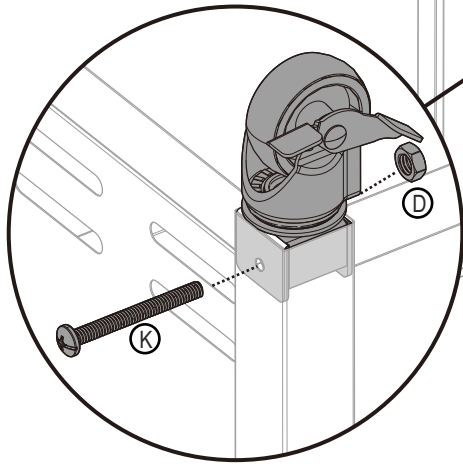
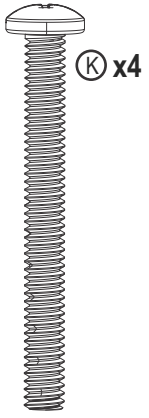
1



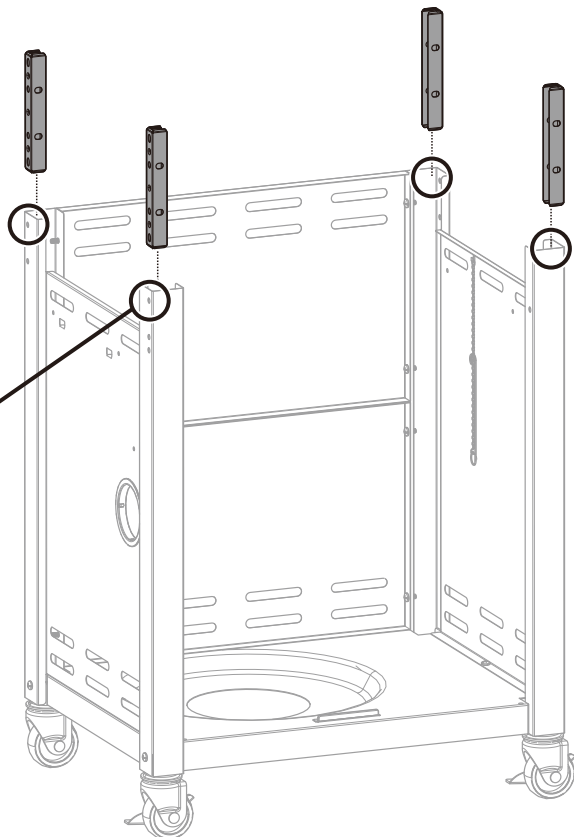
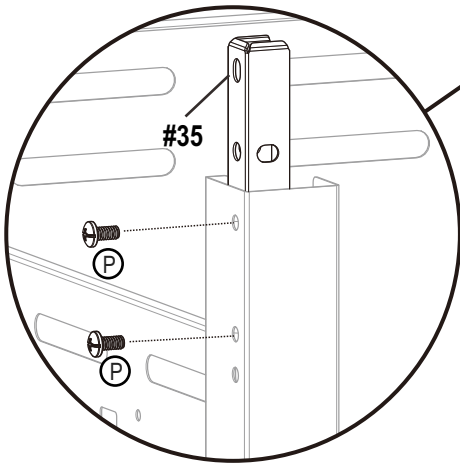
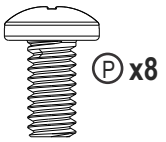
2



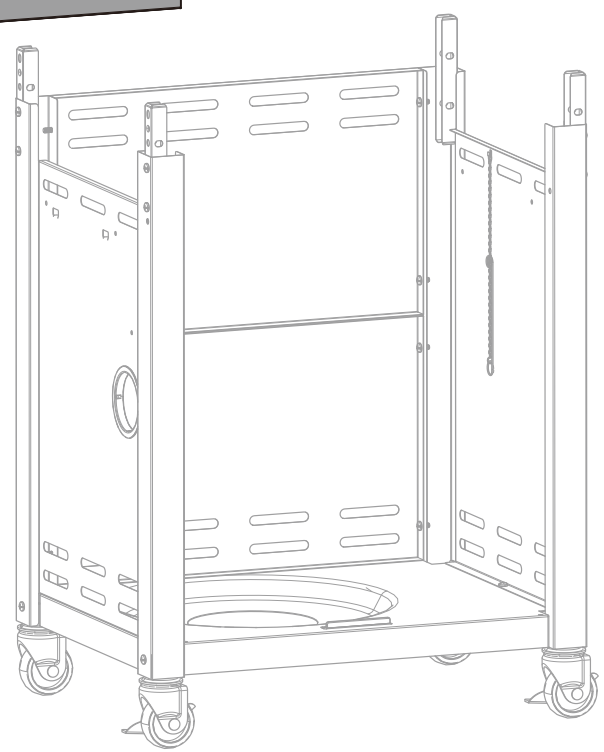
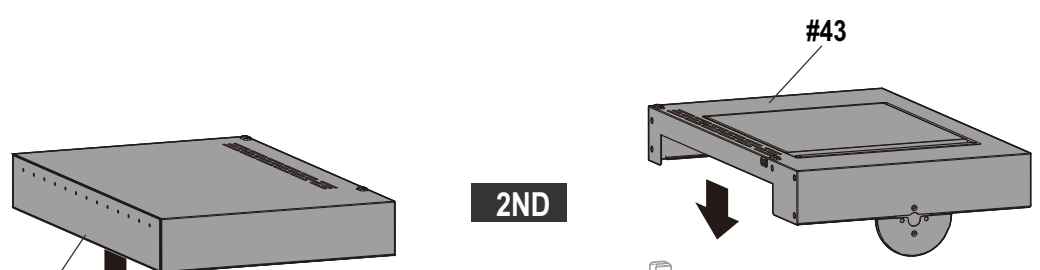
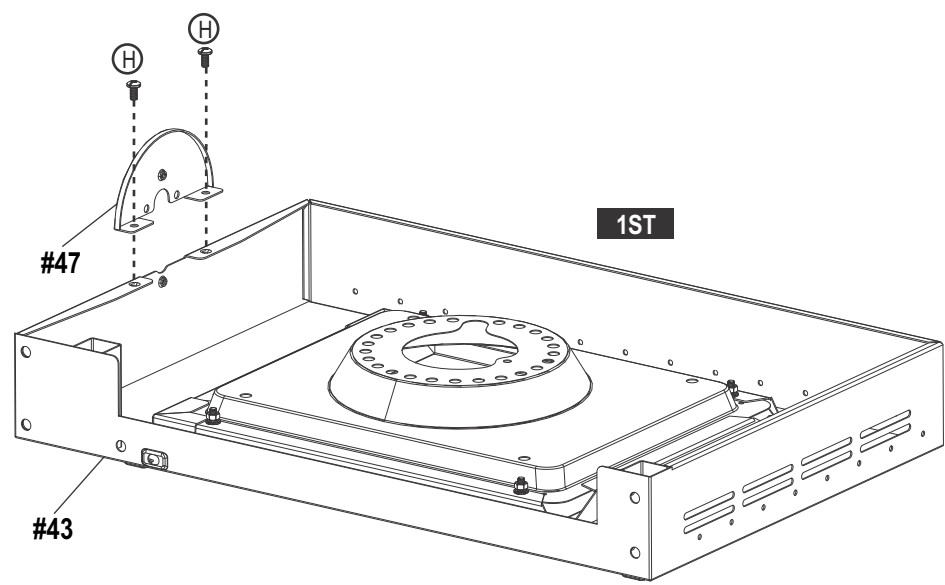
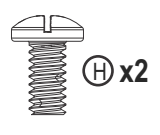
3

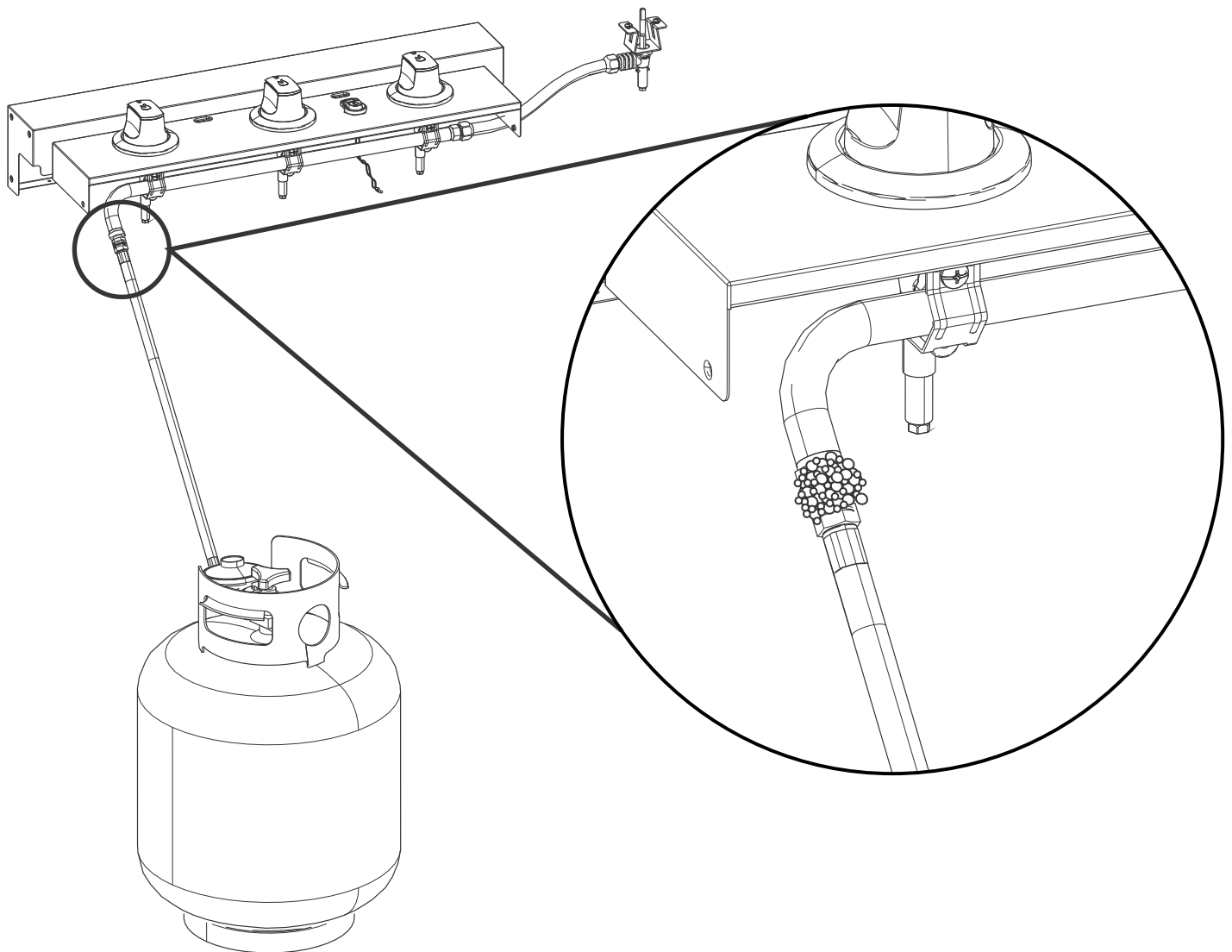
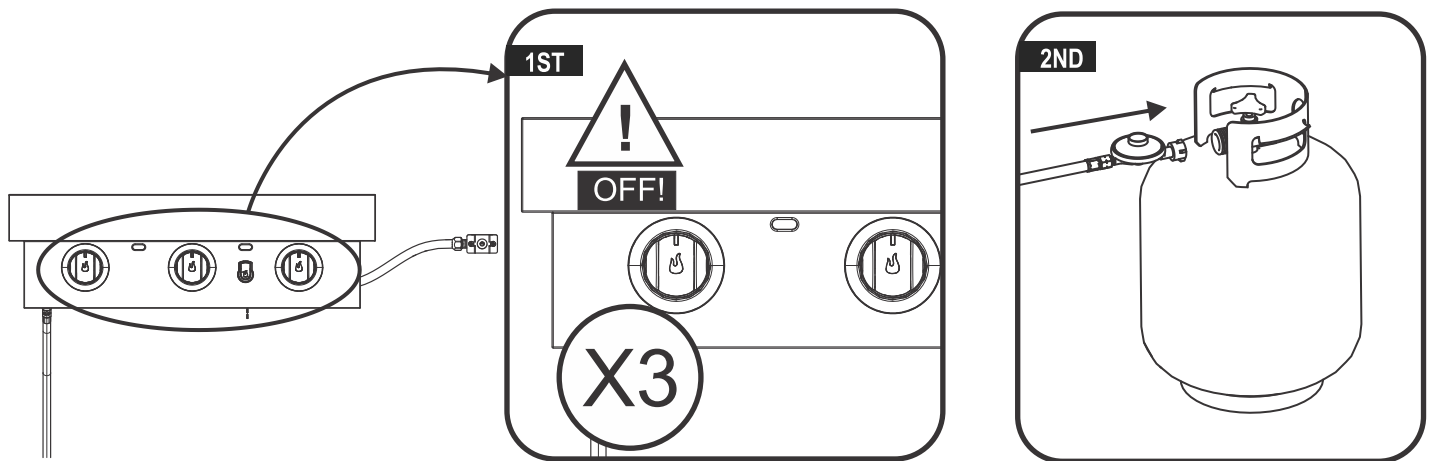


4



5

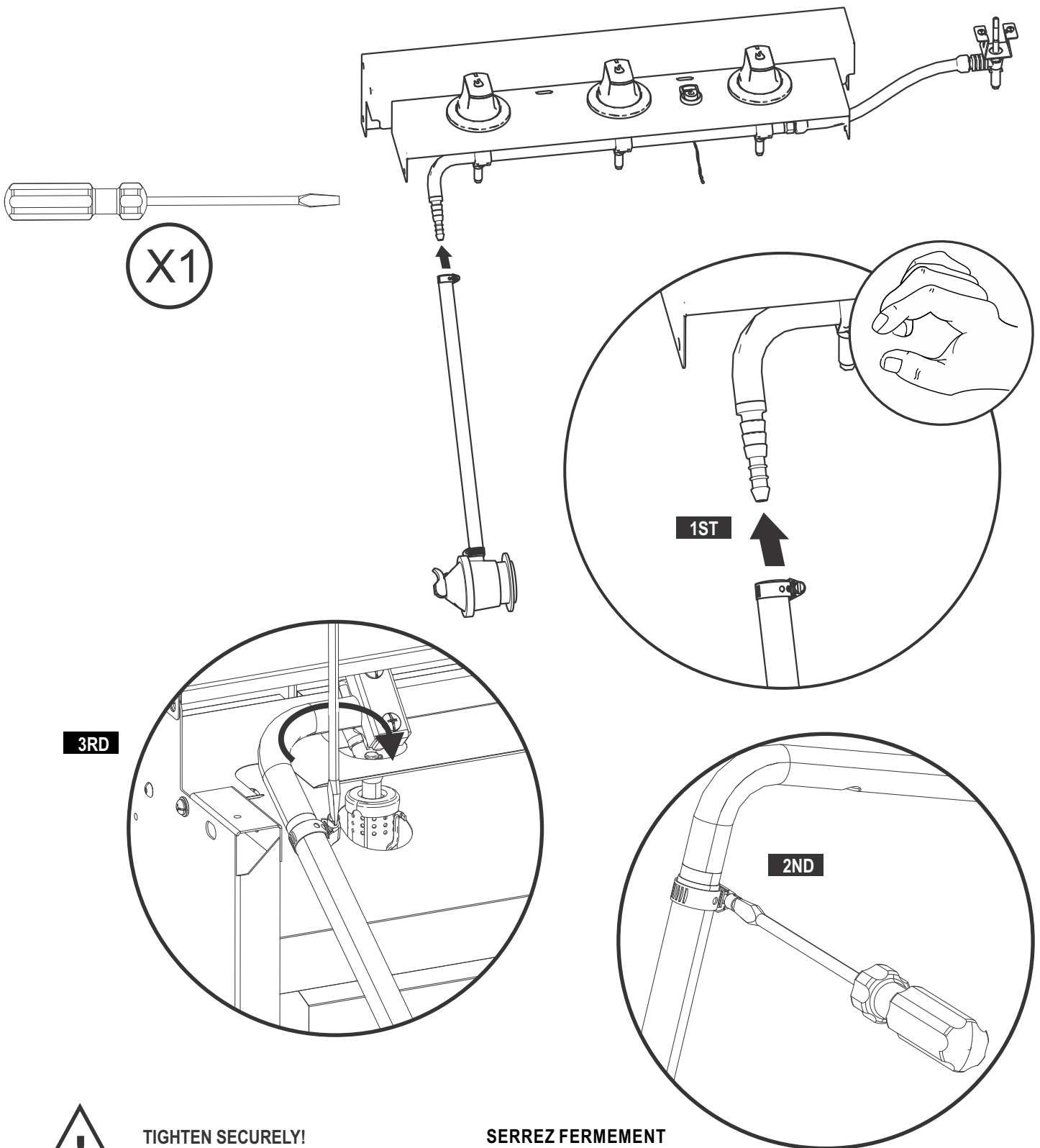




Disconnect the tank after this check!
Ontkoppel de gastank na deze controle!
Koppla frá tanken efter denna kontroll!
Koble fra beholderen etter denne kontrollen!
Po kontrole nádobu odpojte!
Po této kontrole odpojte nádrž!
Irrota säiliö tämän tarkistuksen jälkeen!
Framontér tanken efter denne kontrol!

Klemmen Sie den Tank nach dieser Prüfung ab!
Scollegare il serbatoio dopo questo controllo!
¡Desconecte el tanque luego de esta comprobación!
Desligue a botija depois desta verificação!
Déconnectez le réservoir après cette vérification !
Aftengdu tankinn eftir þessa skoðun!

נתק את המכל לאחר הבדיקה!



X1

1ST

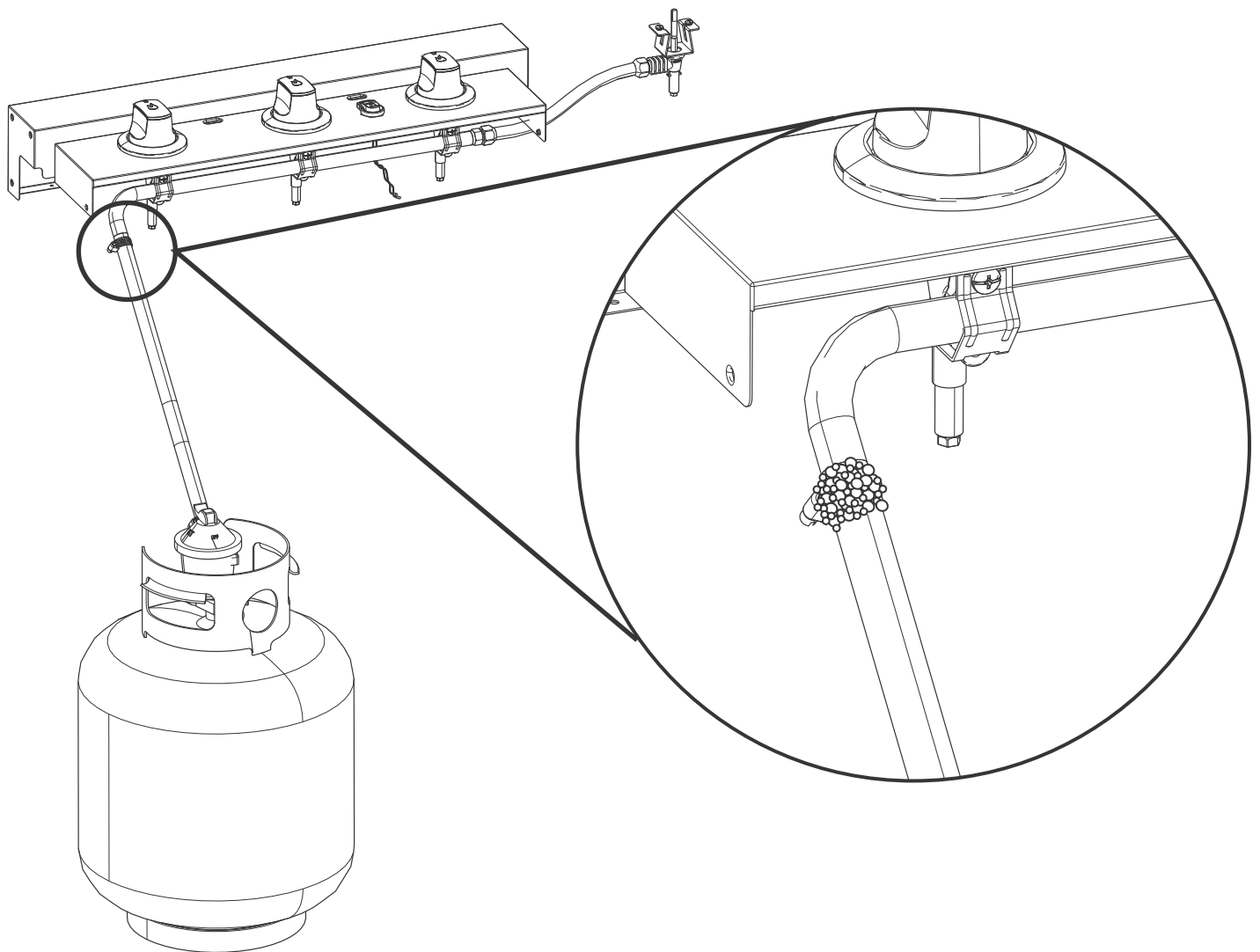
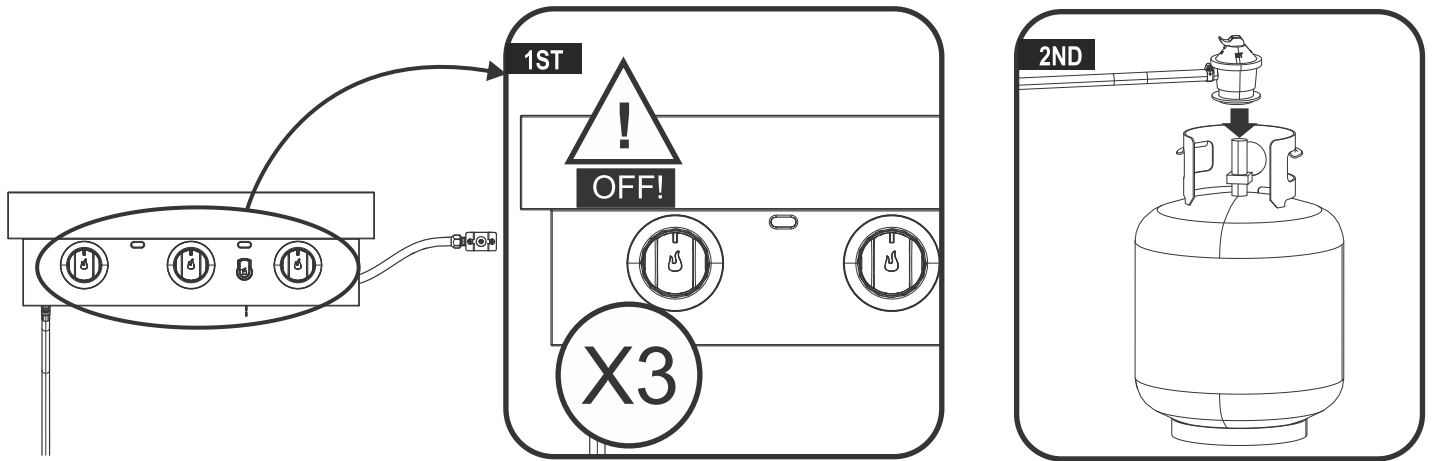
2ND

3RD



TIGHTEN SECURELY!
 KIRISTÄ HUOLELLISESTI!
 PEVNĚ UTÁHNĚTE!
 FASTSPÆND KORREKT!
 DRAAI STEVIG AAN!
 DRA ÅT ORDENTLIGT!
 FEST GODT!
 HERTU VANDLEGA

SERREZ FERMENT
 SICHER BEFESTIGEN!
 SERRARE SALDAMENTE
 APRIETE FIRMEMENTE
 BEZPEČNE ZATIAHNUŤ!
 הדק בחוזקה!
 AFTENGDU TANKINN EFTIR ÞESSA SKOÐUN!

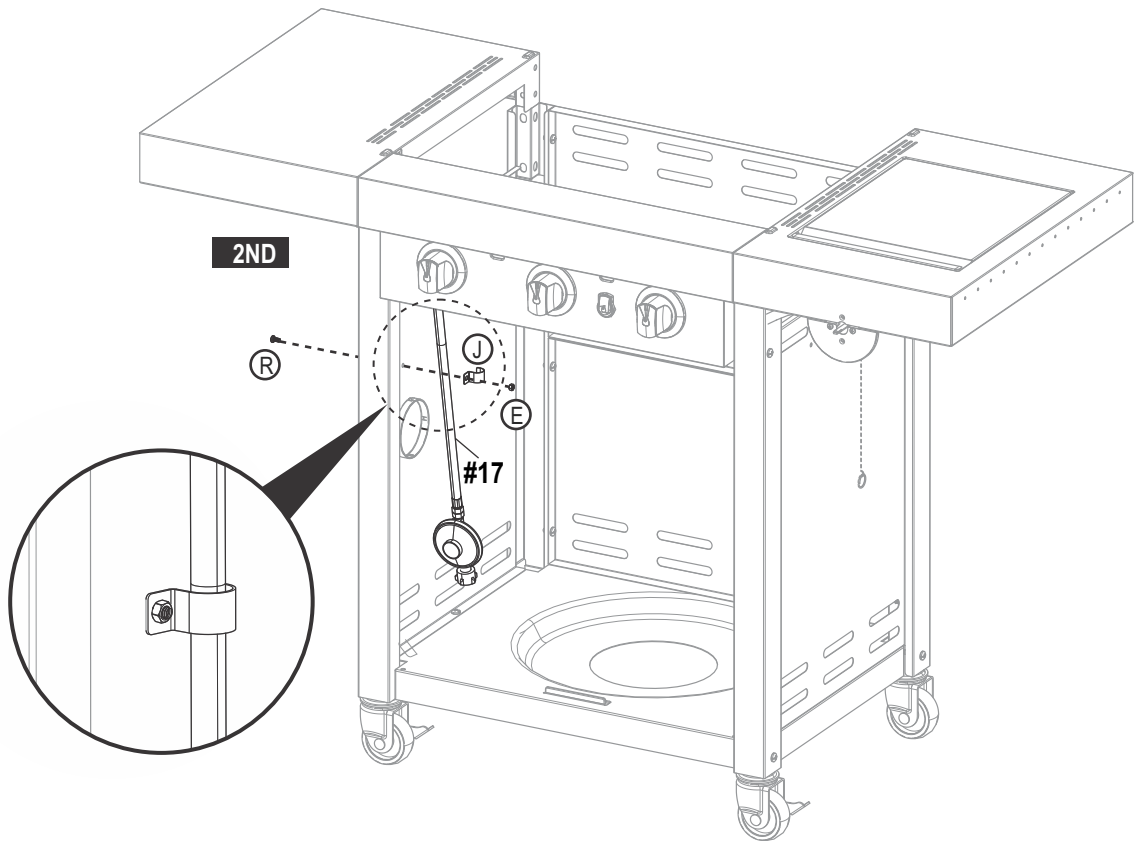
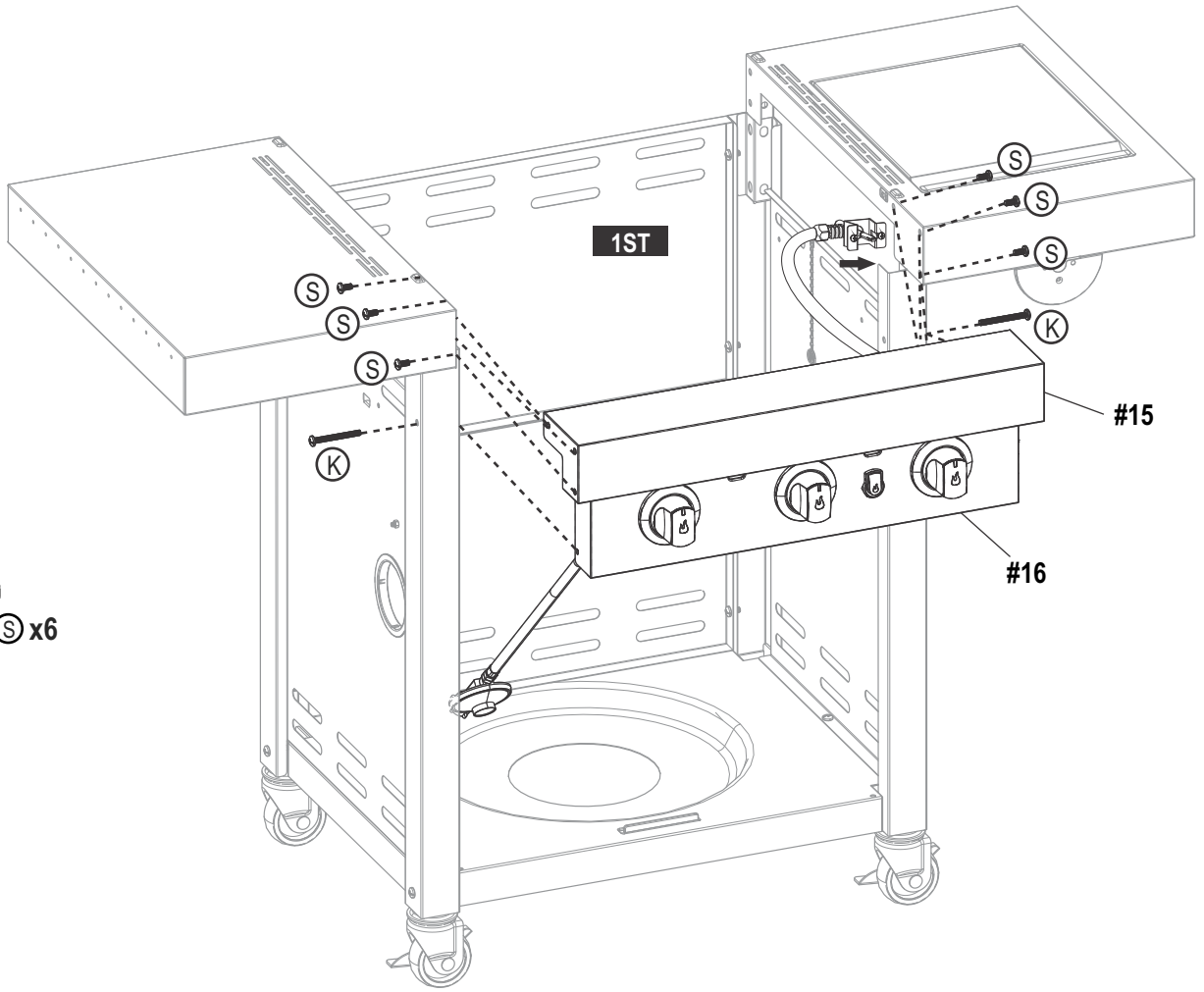
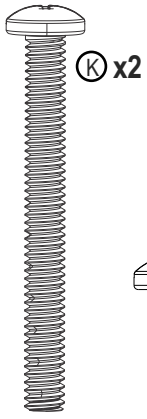
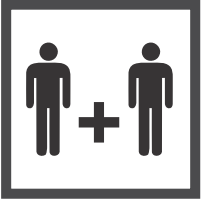


Disconnect the tank after this check!
 Ontkoppel de gastank na deze controle!
 Koppla frá tanken eftir denna kontroll!
 Koble fra beholderen etter denne kontrollen!
 Po kontrole nádobu odpojte!
 Po této kontrole odpojte nádrž!
 Irrota säiliö tämän tarkistuksen jälkeen!
 Framontér tanken eftir denne kontroll!

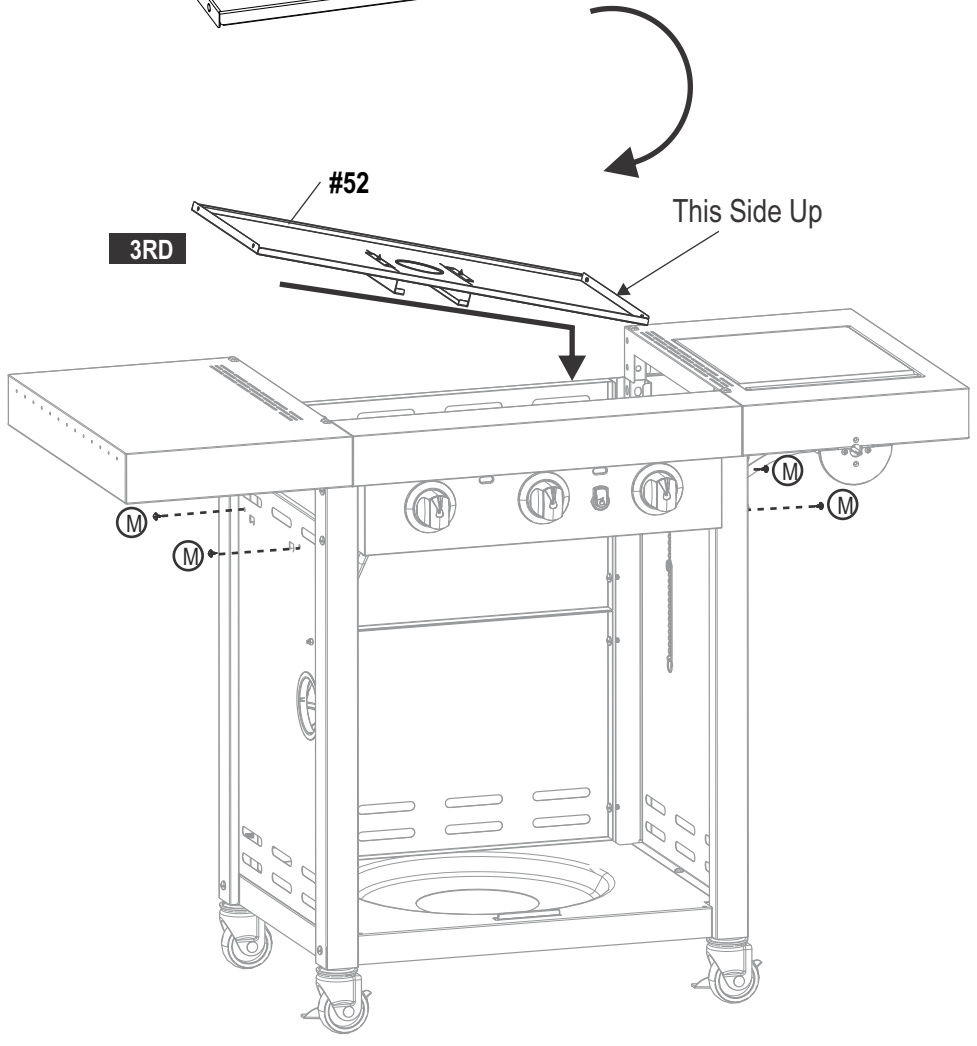
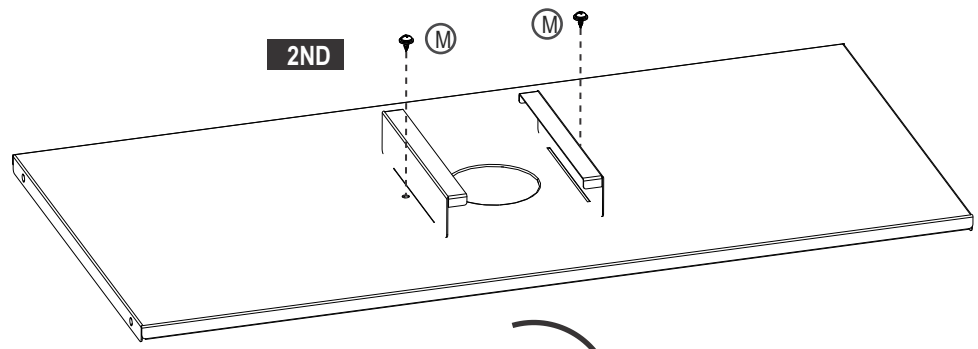
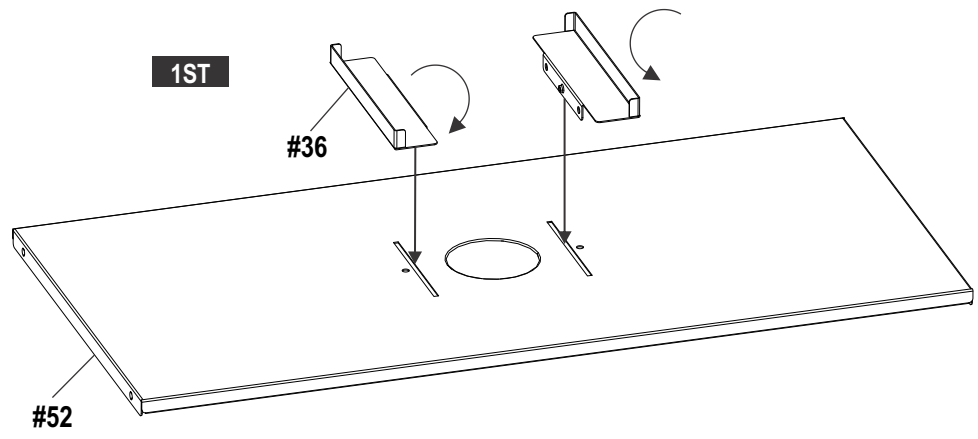
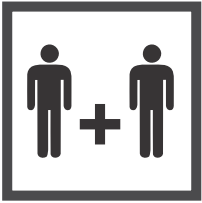
Klemmen Sie den Tank nach dieser Prüfung ab!
 Scollegare il serbatoio dopo questo controllo!
 ¡Desconecte el tanque luego de esta comprobación!
 Desligue a botija depois desta verificação!
 Déconnectez le réservoir après cette vérification !
 Aftengdu tankinn eftir þessa skoðun!

נתק את המכל לאחר הבדיקה!

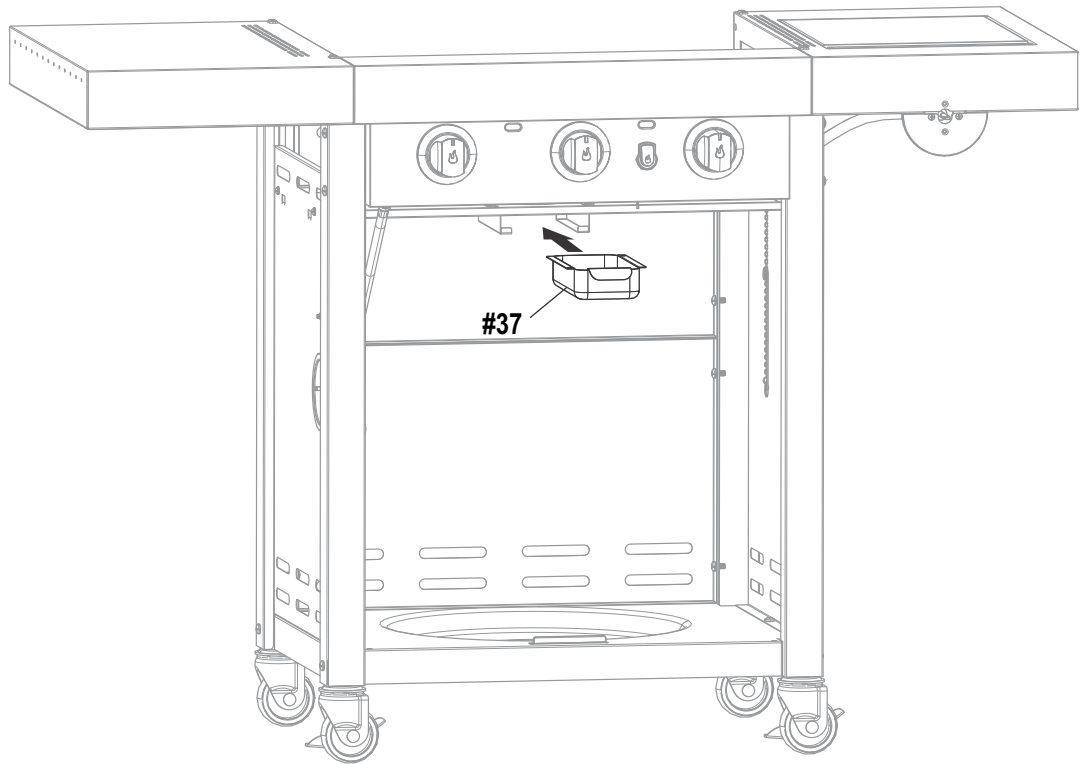
7



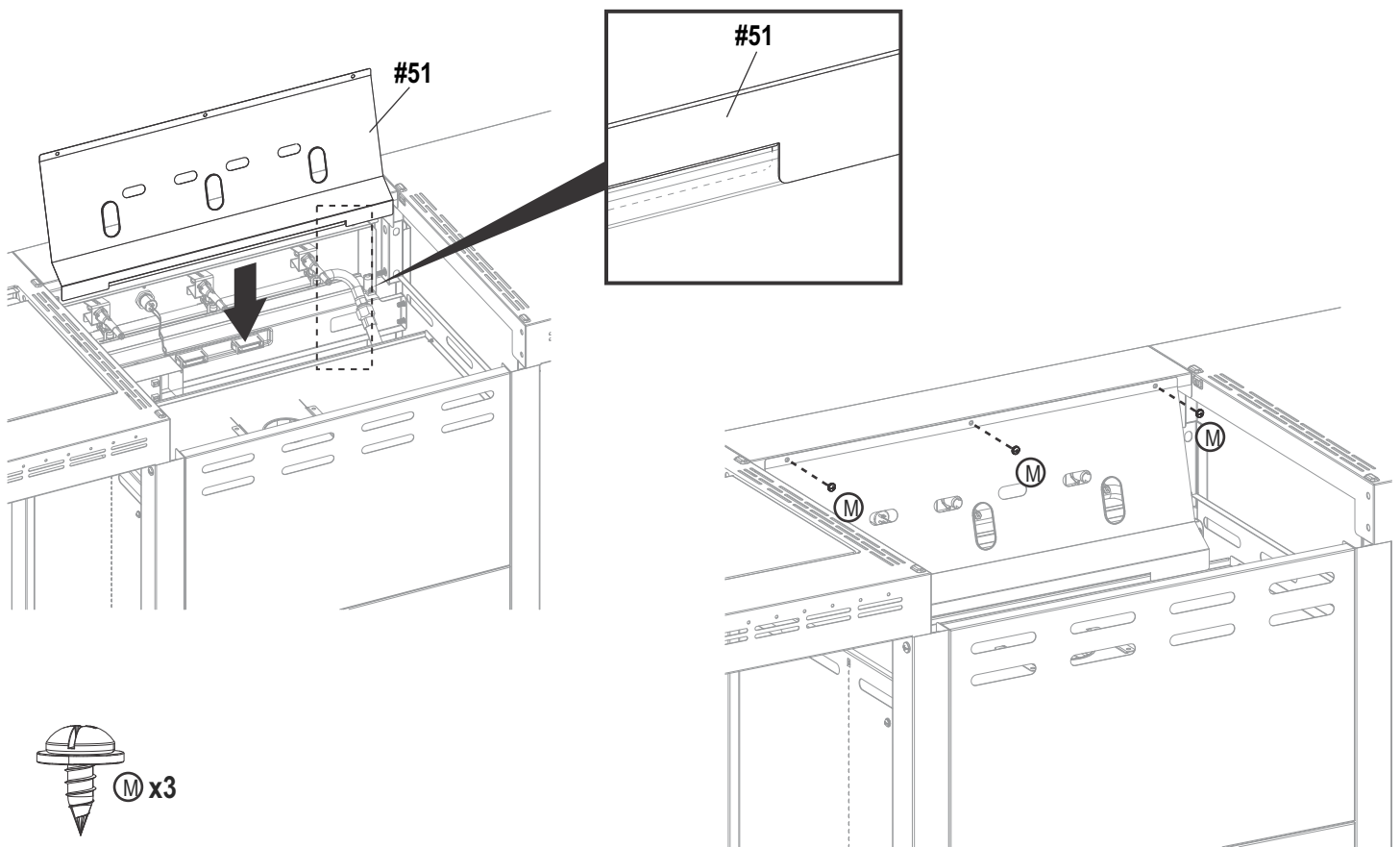
8



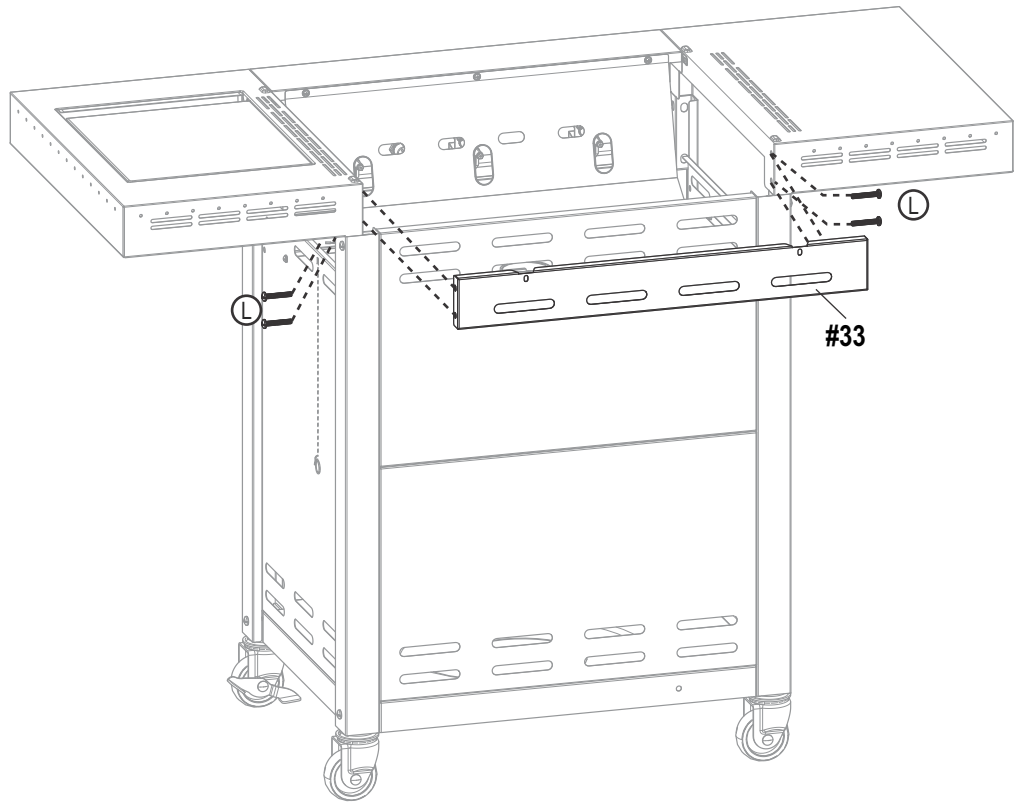
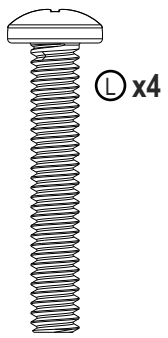
9



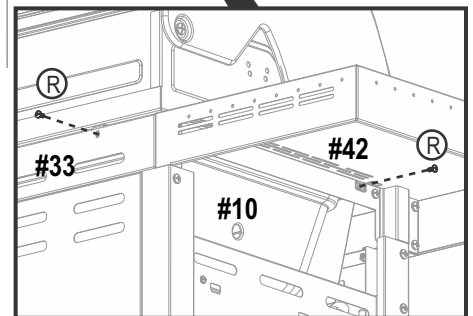
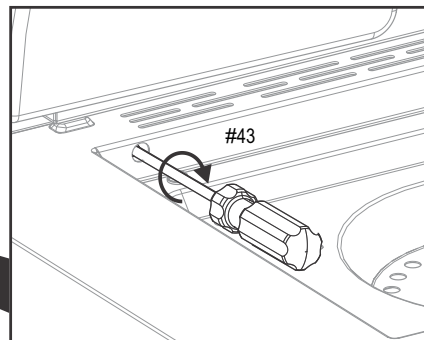
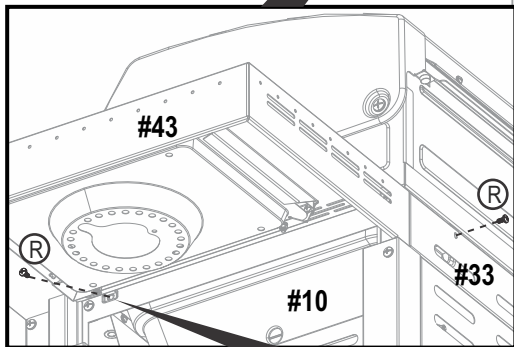
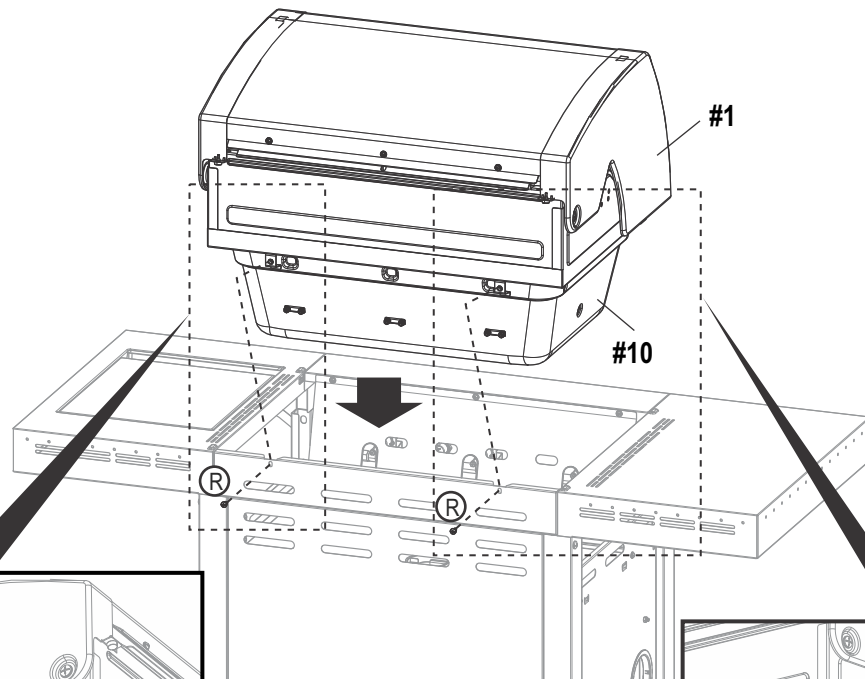
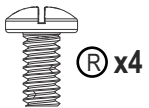
10

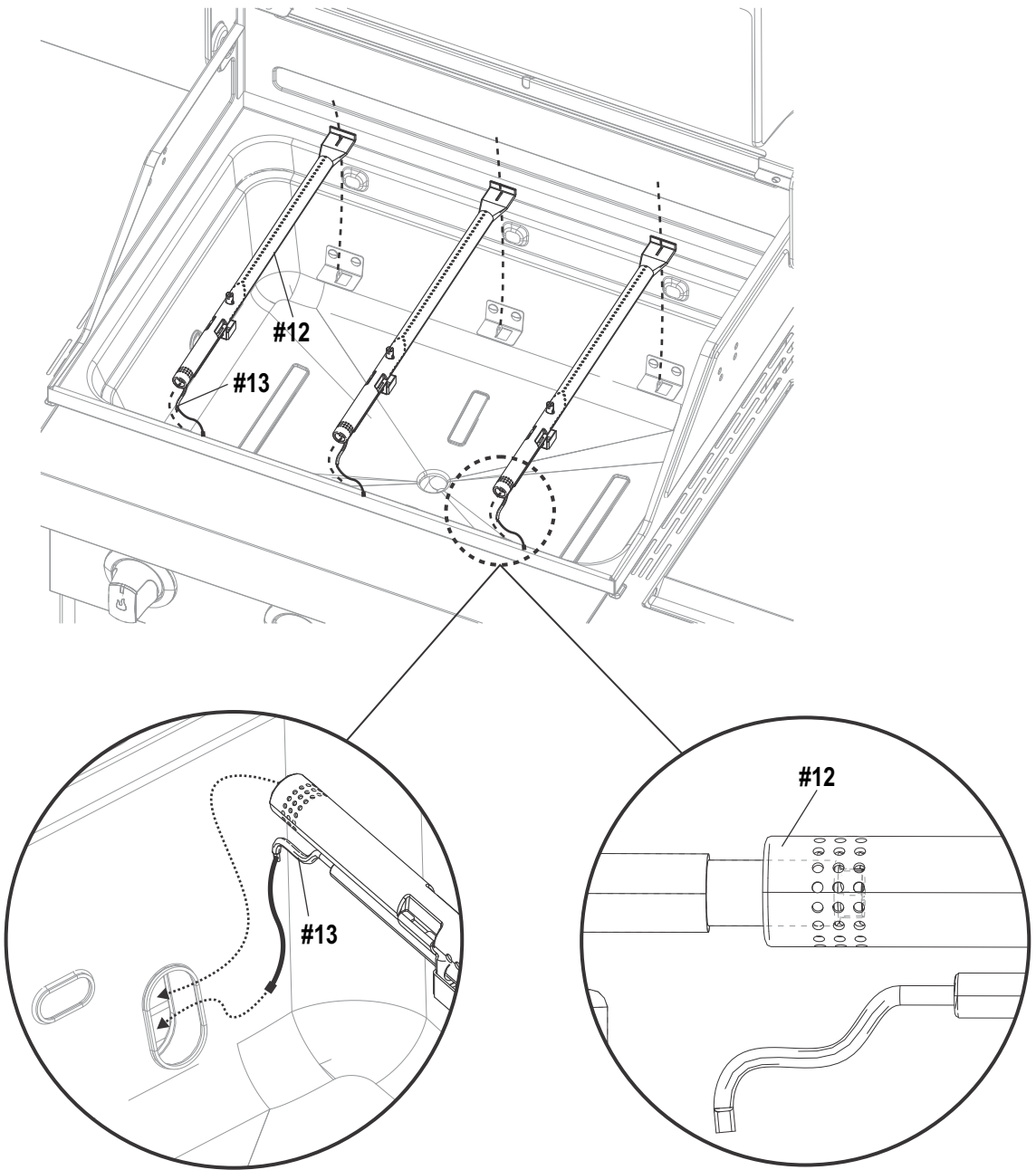


11



12

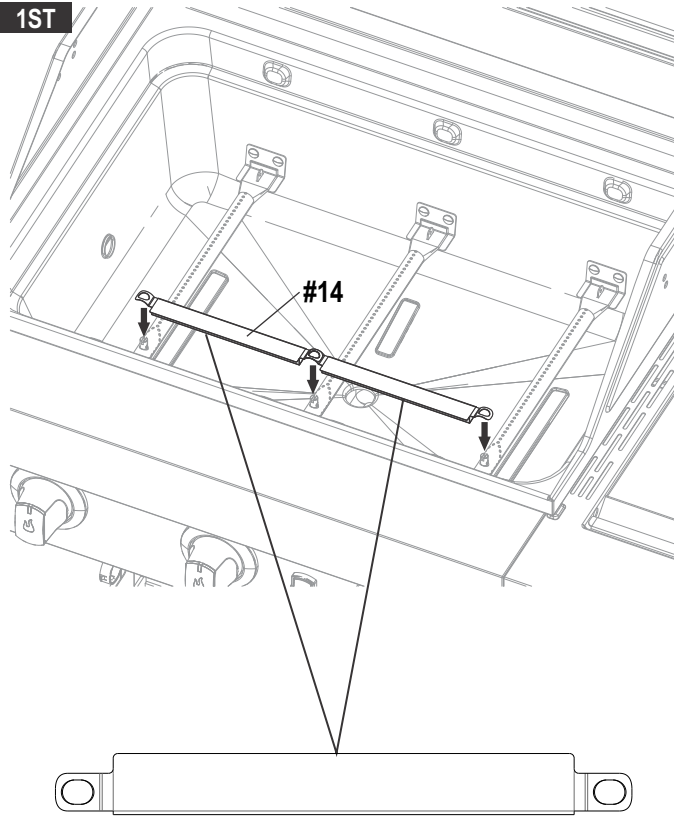




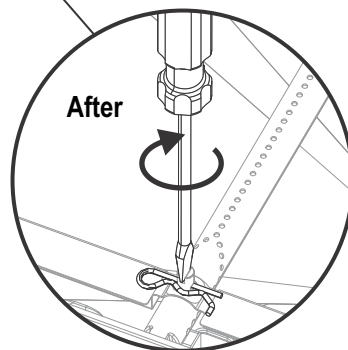
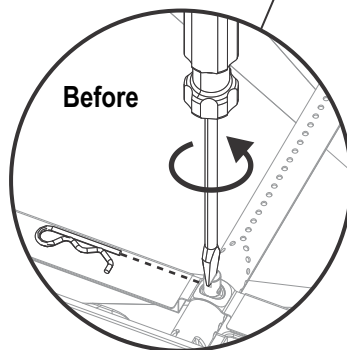
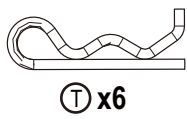
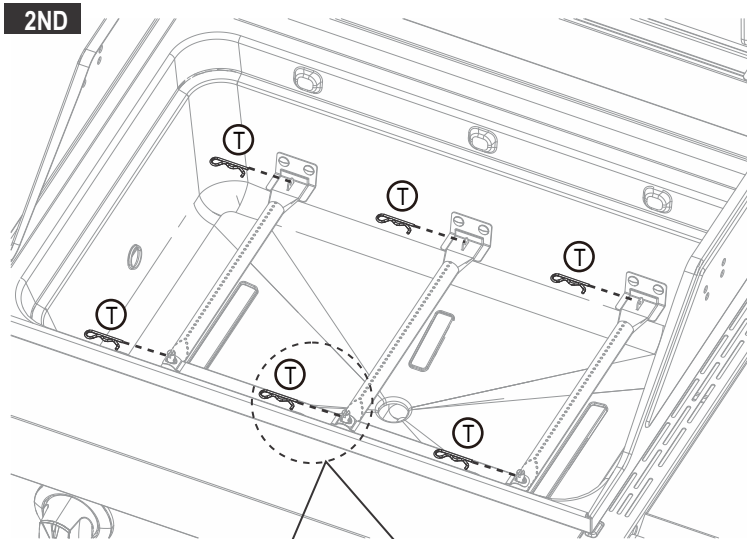
 **WARNING** 

Burner must properly engage valve as shown. Failure to engage valve as shown may result in personal injury and/or property damage.

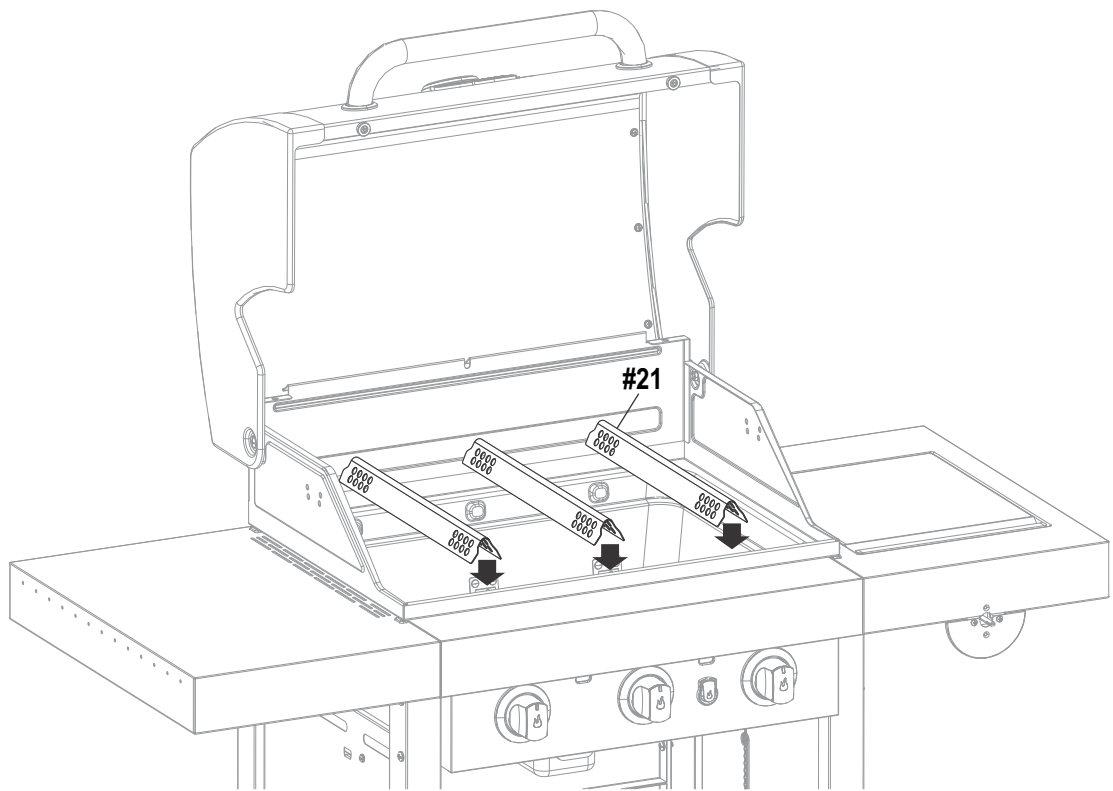
1ST



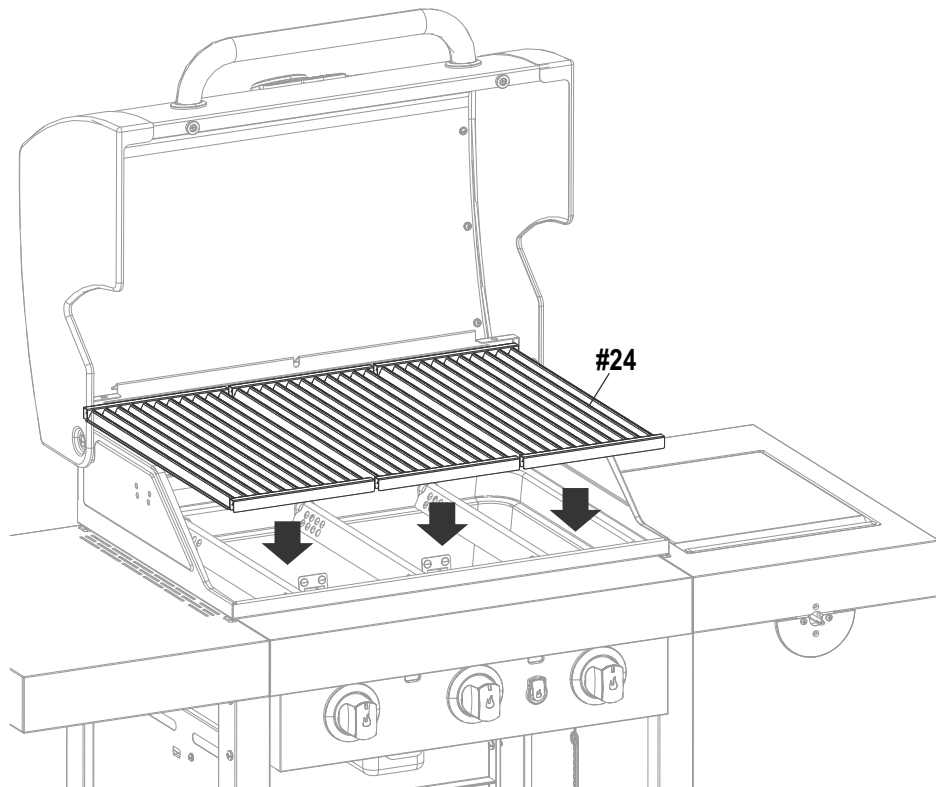
2ND



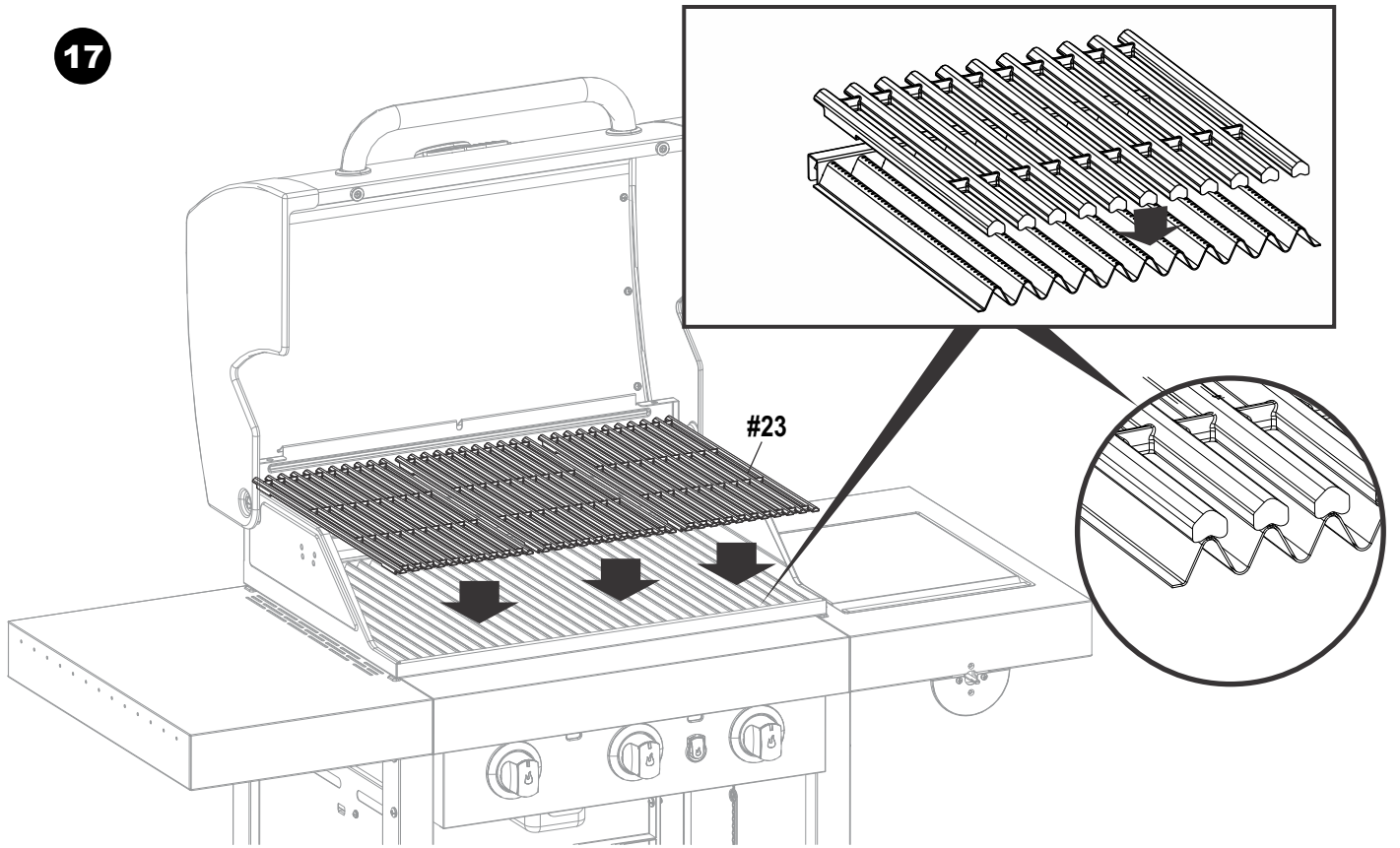
15



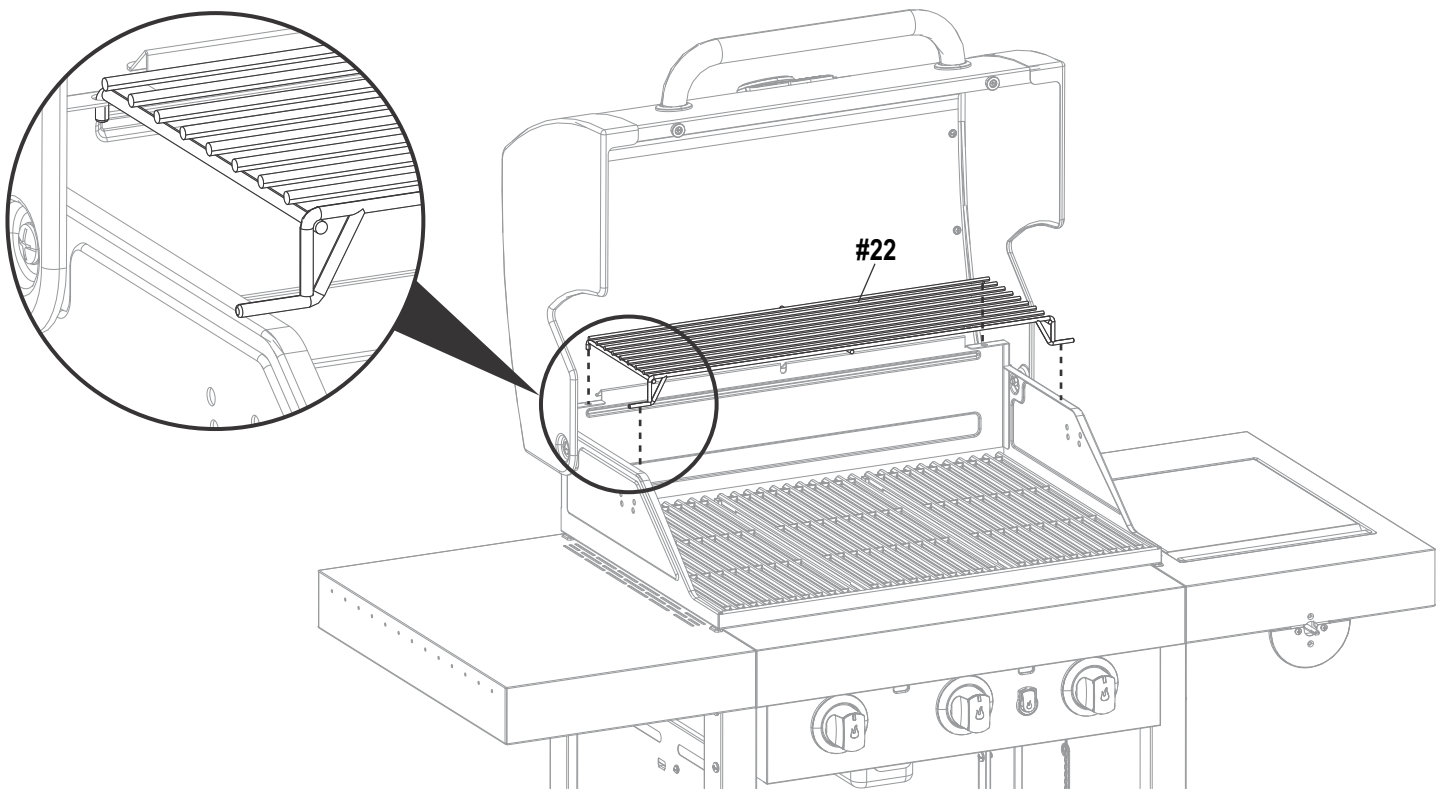
16



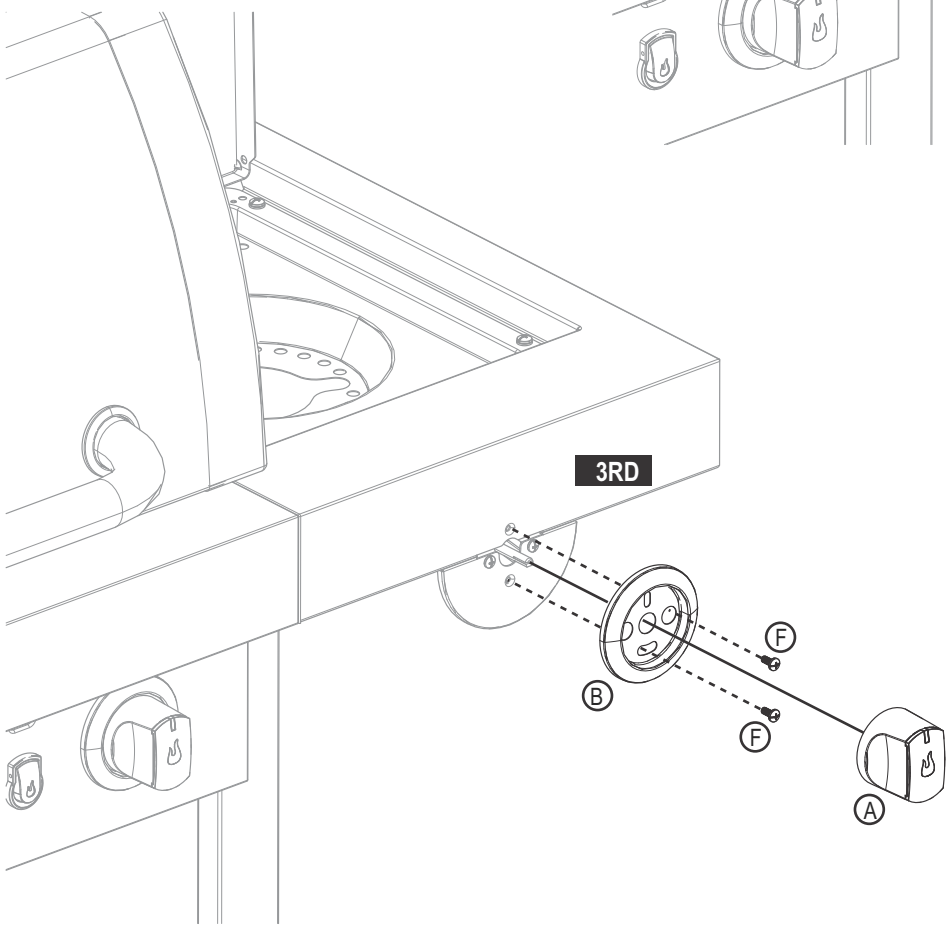
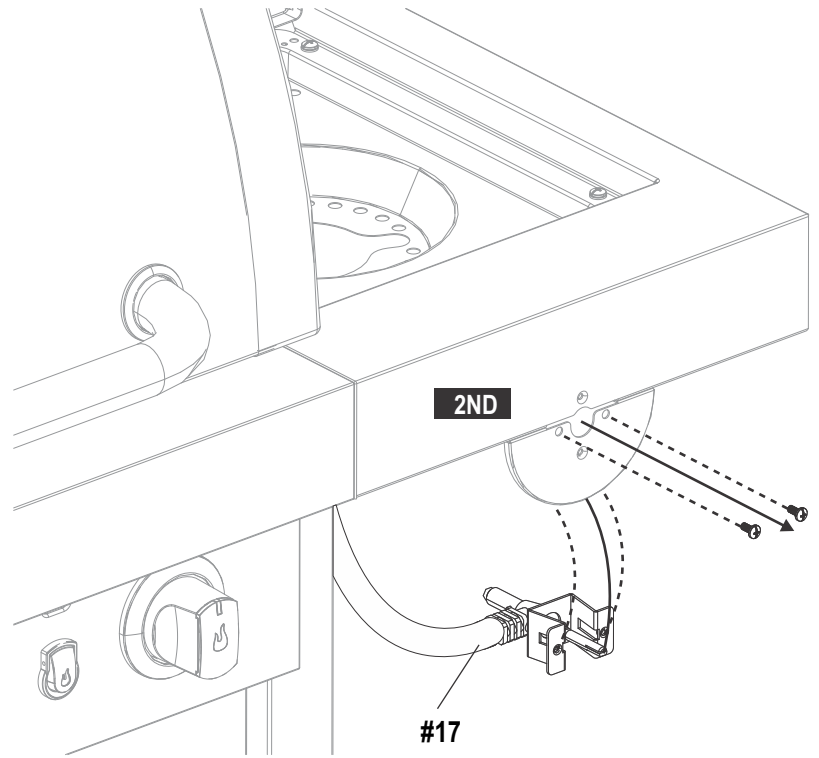
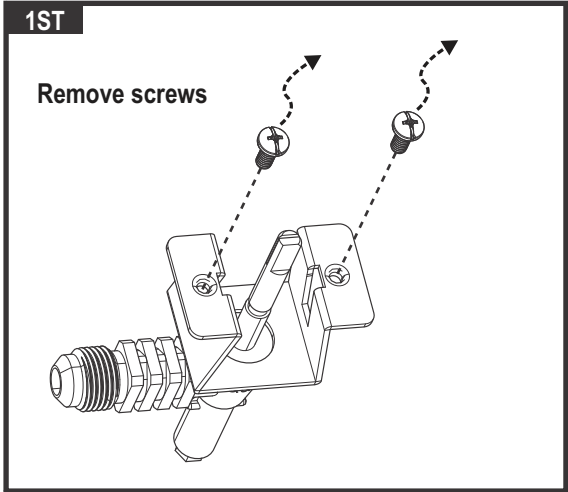
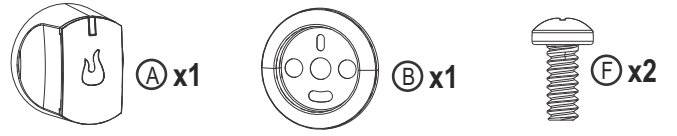
17



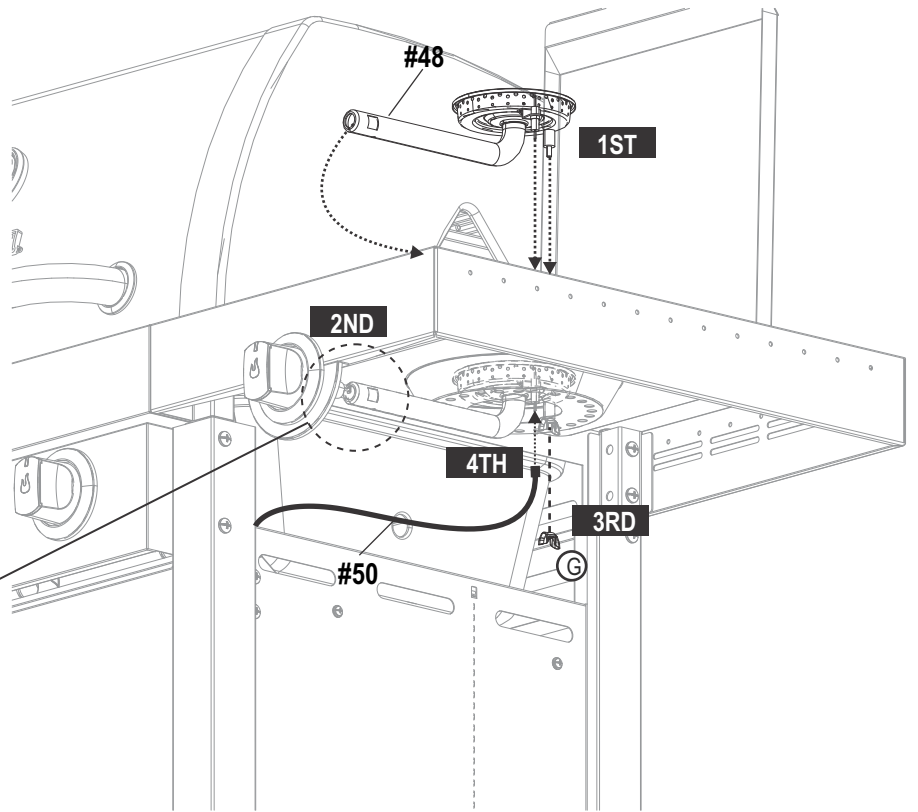
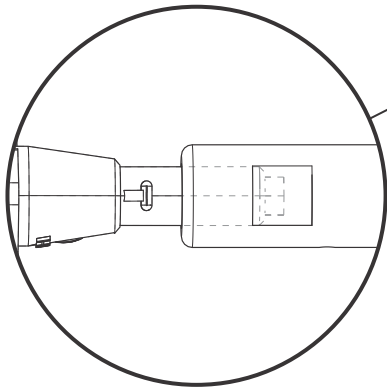
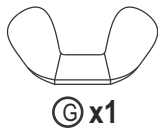
18



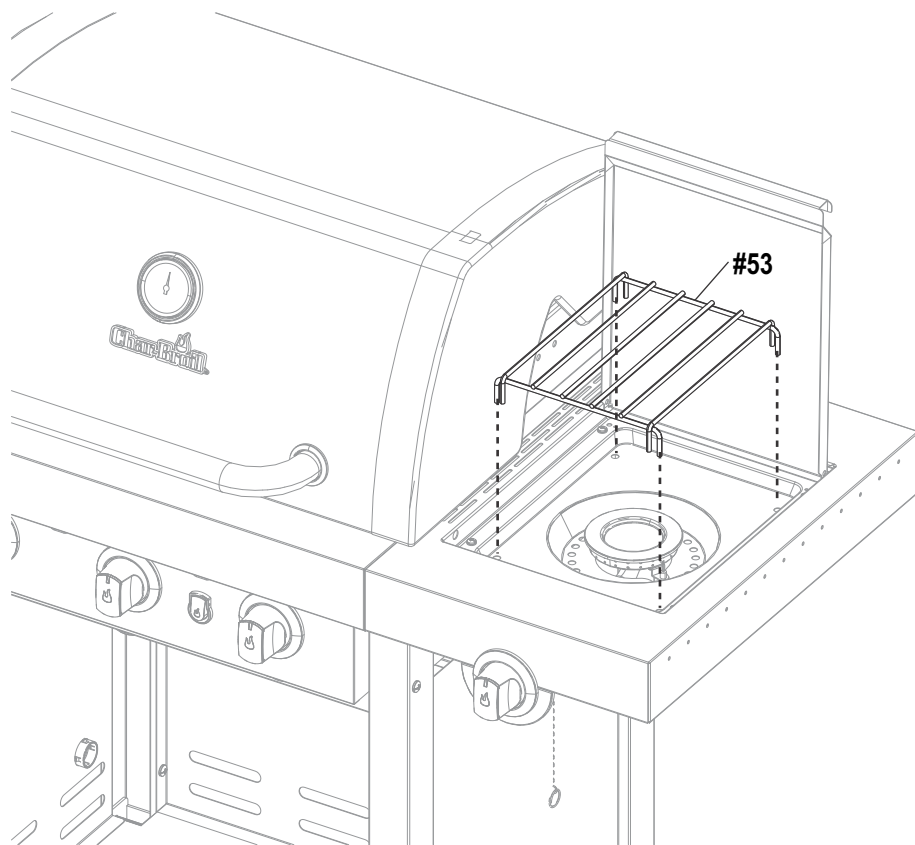
19



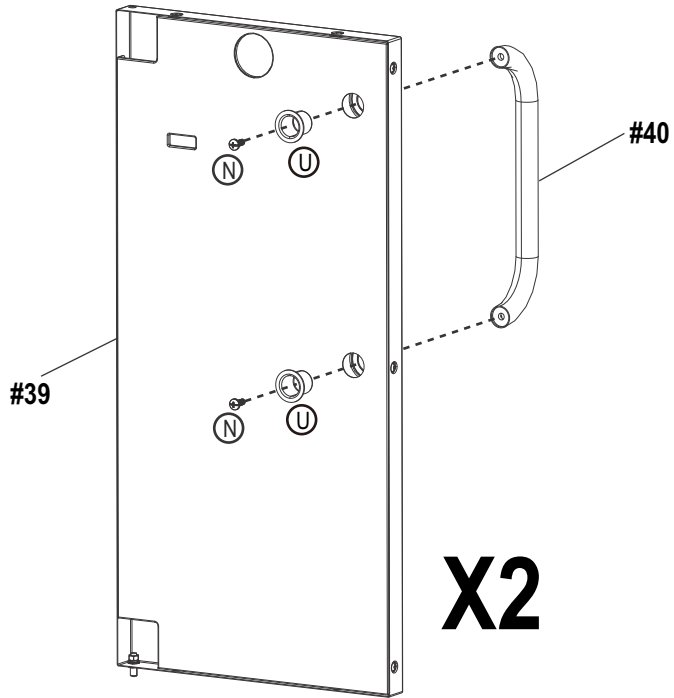
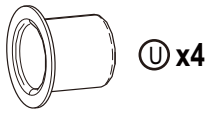
20



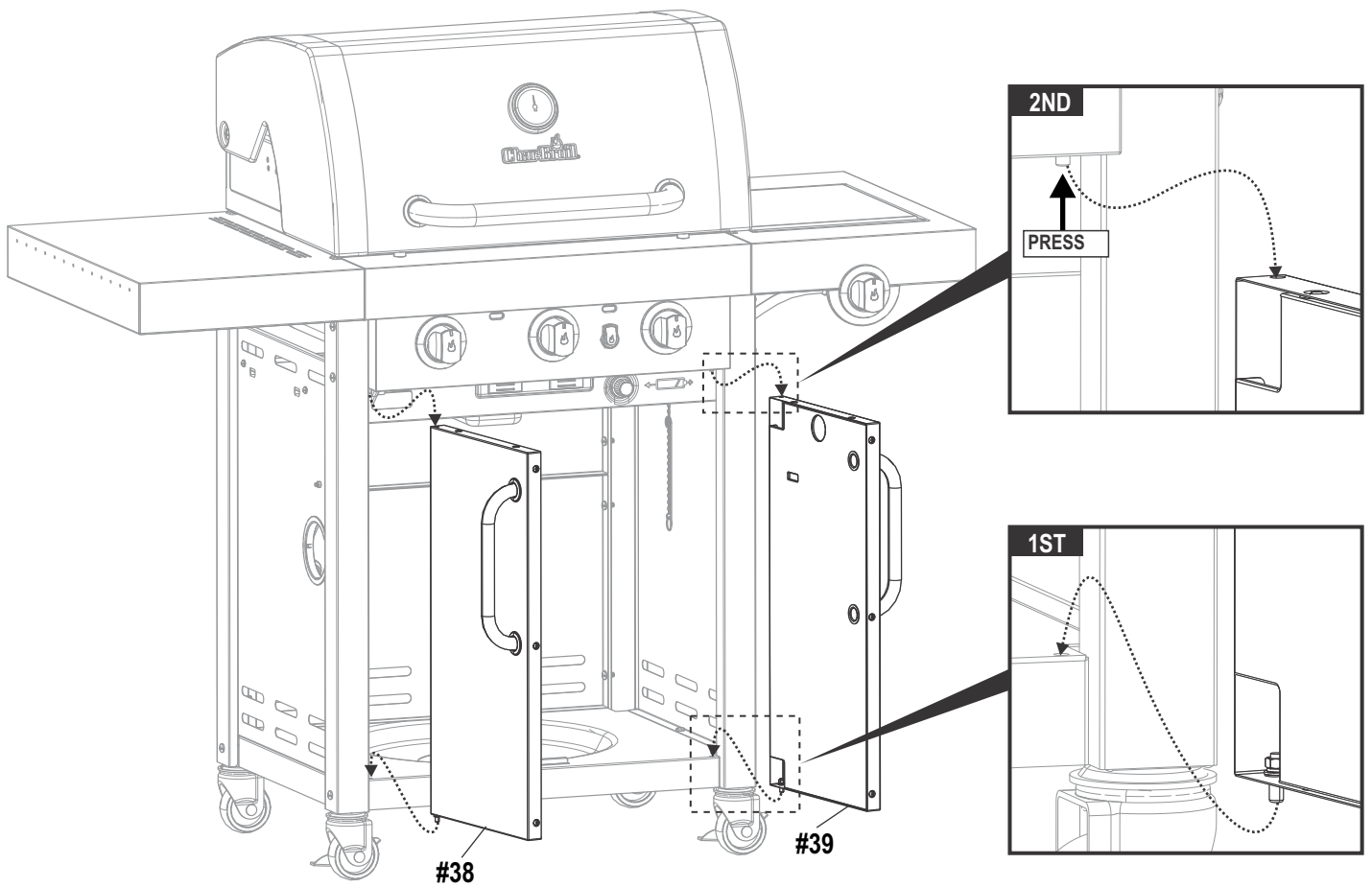
21



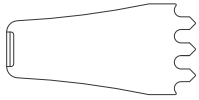
23



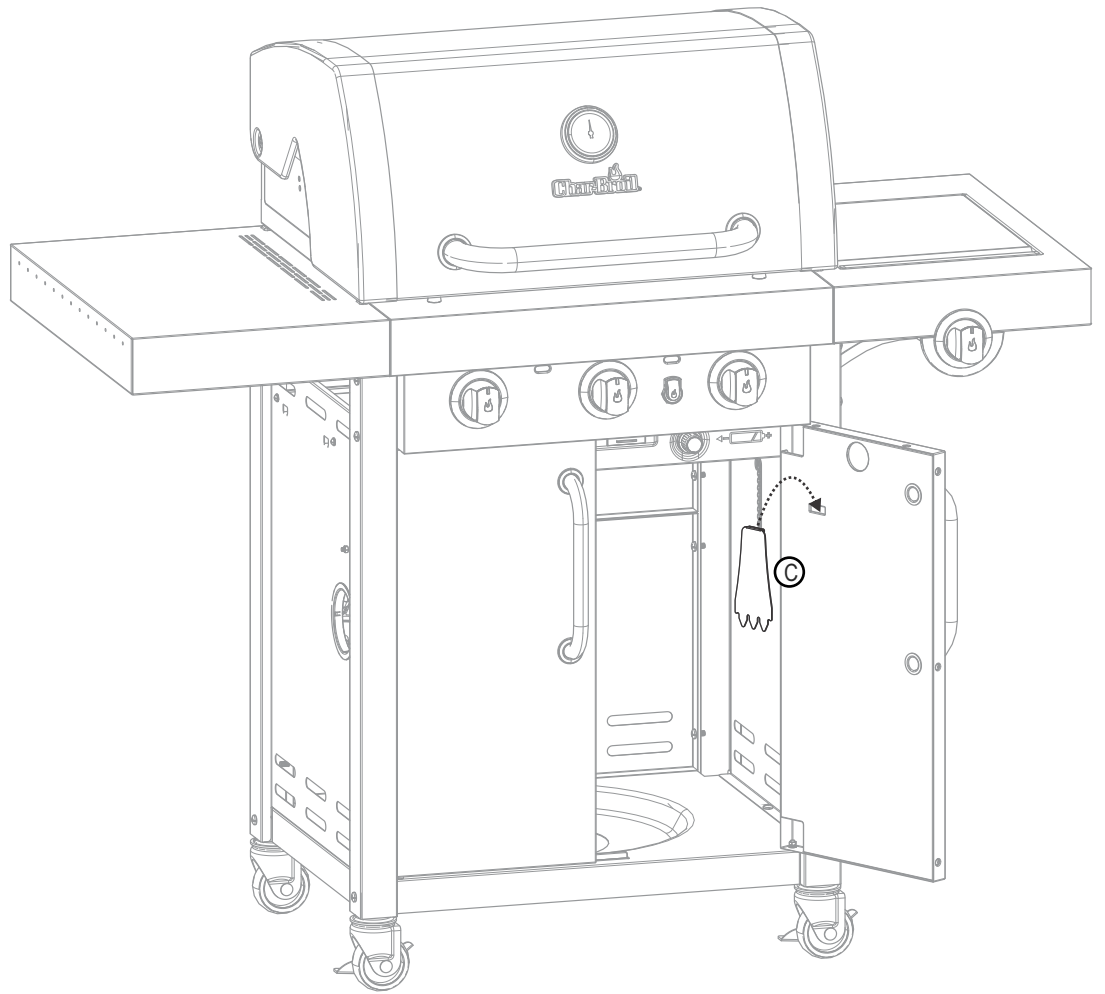
X2

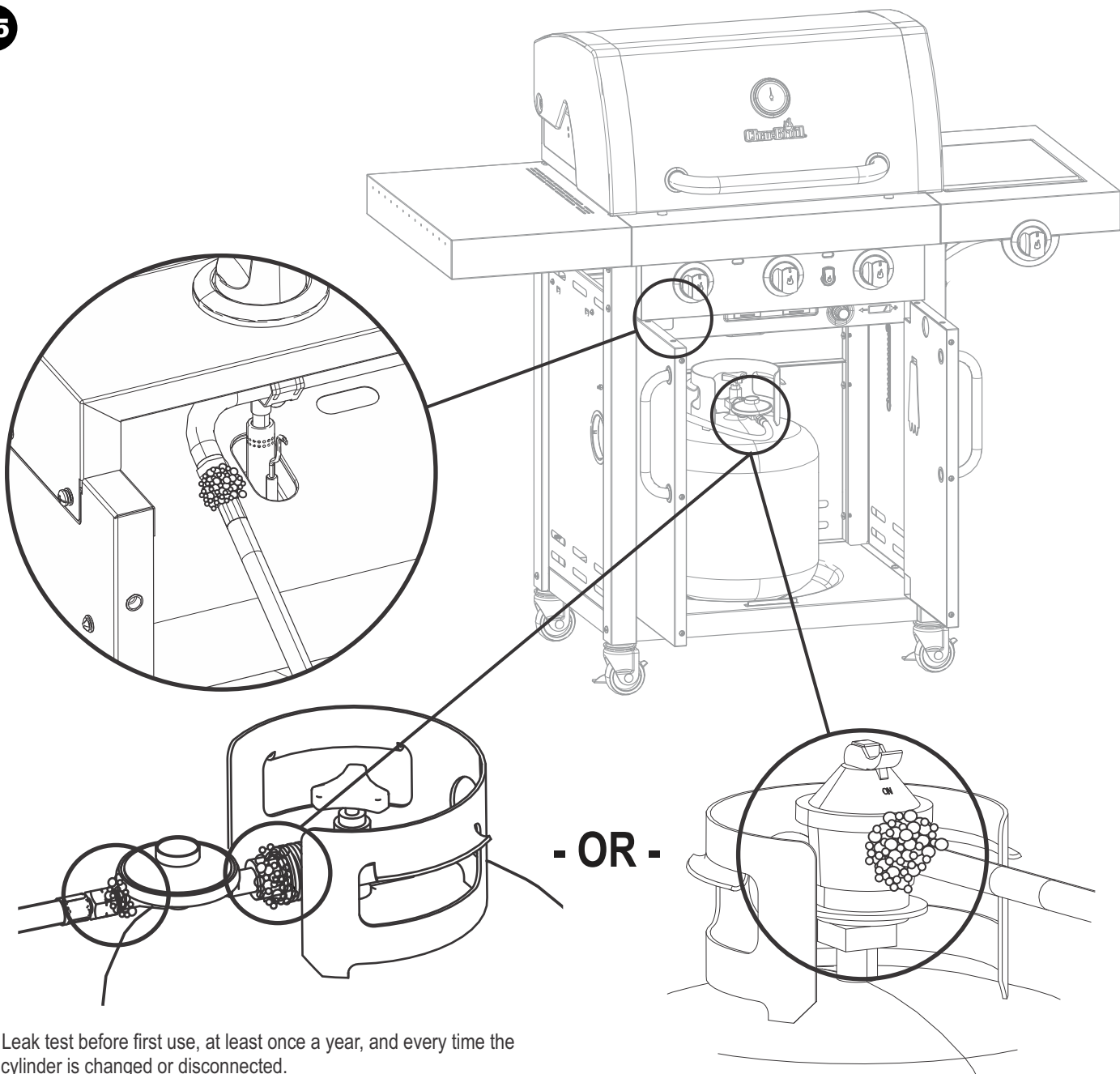


24



© x1





- OR -

en Leak test before first use, at least once a year, and every time the cylinder is changed or disconnected.

fr Effectuez un test de fuite avant la première utilisation, au moins une fois par an, et chaque fois que la bonbonne est changée ou déconnectée.

de Führen Sie eine Überprüfung auf Gasaustritten mindestens einmal im Jahr und jedes Mal, wenn der Gasbehälter gewechselt oder abgetrennt wurde, durch.

it Eseguire una prova di tenuta prima del primo utilizzo, almeno una volta l'anno. Inoltre, eseguire una prova di tenuta ogni volta che il cilindro viene cambiato o scollegato.

nl Lektest voor eerste gebruik, minstens een keer per jaar, en elke keer als de gasfles verwisseld of losgekoppeld is.

sv Testa efter läckage före den första användningen, minst en gång per år, och varje gång cylindern byts ut eller kopplas bort.

fi Vuototesti ennen ensimmäistä käyttöä, mutta vähintään kerran vuodessa, ja joka kerta kun sylinteri vaihdetaan tai sen kytkentä irrotetaan.

es Realice una prueba de fugas al menos una vez al año o cada vez que se cambie o se desconecte el cilindro.

pt Faça um teste para verificar se não há vazamentos pelo menos uma vez por ano e sempre que o cilindro for trocado ou desconectado.

da Tæthedstest af ventiler, slanger og regulator skal ske før første ibrugtagning, mindst en gang om året, og hver gang gasflasken er enten skiftet eller afbrudt.

no Framkvæmið lekaprófun fyrir fyrstu notkun, að minnsta kosti árlega, og í hvert sinn sem skipt er um hylki eða það er aftengt.

sk Test tesnosti uskutočnite pred prvým použitím, raz za rok a pri každej výmene alebo odpojení fľaše.

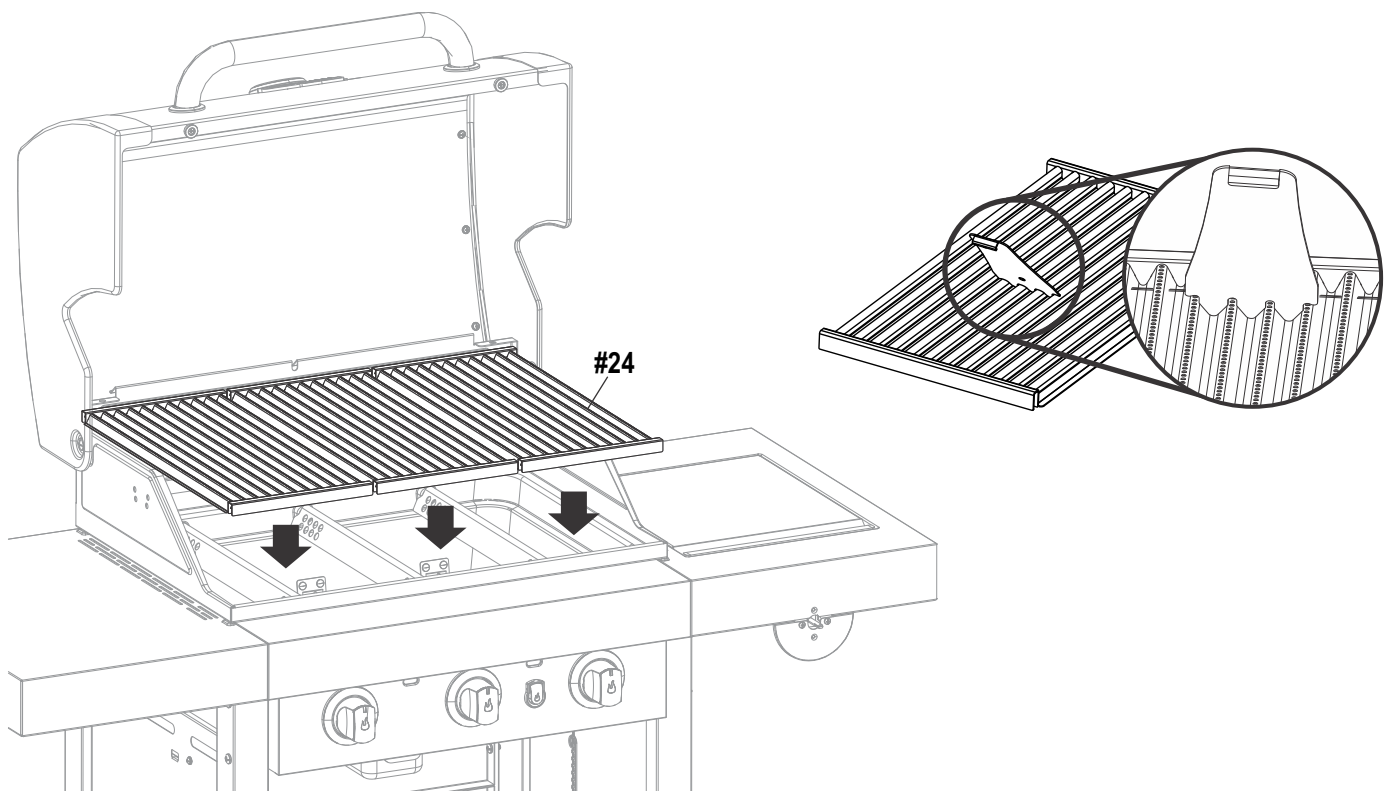
is Framkvæmið lekaprófun fyrir fyrstu notkun, að minnsta kosti árlega, og í hvert sinn sem skipt er um hylki eða það er aftengt.

ro Testați scurgerile înainte de prima utilizare, cel puțin o dată pe an și de fiecare dată când se schimbă sau se deconectează bateria.

cs Provedte zkoušku těsnosti před prvním použitím, minimálně jednou za rok a při každé výměně nebo odpojení zásobníku.

pl Przeprowadzić test szczelności przed pierwszym użyciem, co najmniej raz w roku oraz w przypadku zmiany lub odłączeniem zbiornika.

li דליפת בדיקה לפני השימוש ראשון, לפחות פעם בשנה, ובכל פעם הצילינדר משתנה או מנותקת.



no Inspiser den infrarøde risten før hver bruk for å sikre at åpninger dekkes ikke med rusk. Se Grillveiledning for detaljerte instruksjoner om rengjøring.

sk Pred každým použitím skontrolujte rošt infračerveného grilu a uistite sa, že otvory nie sú upchané nečistotami. Podrobné pokyny týkajúce sa čistenia nájdete v návode na grilovanie

is Skoðið innrauðu grindina fyrir hverja notkun til að tryggja að götin séu ekki þakin leifum. Sjá grillleiðbeiningar til að fá ítarlegar hreinsileiðbeiningar.

ro Inspectați grătarul cu infraroșii înainte de fiecare utilizare, pentru a vă asigura că deschiderile nu sunt acoperite de reziduuri. Citiți Ghidul de Frigere pentru instrucțiuni detaliate de curățare.

cz Před každým použitím zkontrolujte infračervený rošt, abyste ověřili, zda otvory nejsou pokryty nečistotami. Viz podrobnější pokyny k čištění v Průvodci ke grilování.

pl Sprawdź, czy na ruszt podczerwieni przed każdym użyciem, aby upewnić się, że otwory nie są pokryte gruzem. Zobacz grillowanie Guide Szczegółowe instrukcje czyszczenia.

li בדוק באח אינפרא האדום שלך לפני כל שימוש על מנת להבטיח כי הפתחים אינם מכוסים בפסולת. ראה צליית מדריך לקבלת הוראות ניקוי מפורטות.

en Inspect your infrared grate before each use to ensure that the openings are not covered with debris. See the Grilling Guide for detailed cleaning instructions.

fr Inspectez votre grille infrarouge avant chaque utilisation pour vous assurer que les orifices ne sont pas recouverts de débris. Reportez-vous au guide des grillades pour connaître les consignes de nettoyage détaillées.

de Überprüfen Sie den Infrarot-Rost vor jedem Gebrauch, um sicherzustellen, dass die Öffnungen nicht verschmutzt sind. Beachten Sie bitte die Bedienungsanleitung des Grills für detaillierte Anweisungen zur Reinigung

it Controllare la propriagrigliaa infrarossiprima di ogni utilizzo,al fine di garantire chela aperture nonsiano coperteda detriti. Consultare la 'Guidadella griglia'per istruzionidi puliziadettagliate.

nl Controleer uw infrarood grill voor elk gebruik om er zeker van te zijn dat de openingen niet verstopt zijn met vuil. Raadpleeg de Grill Handleiding voor gedetailleerde schoonmaakinstructies.

sv Inspektera det infraröda gallret före varje användning för att säkerställa att öppningarna inte är täckta med skräp . Se grillningsguiden för detaljerade rengöringsinstruktioner.

fiTarkista infranaritiilä aina ennen käyttöä varmistaaksesi, ettei aukoissa olelikaa. Katso yksityiskohtaiset puhdistusohjeet grillausoppaasta.

es Revise su parrilla infrarroja antes de cada uso para asegurarse que las aberturas no están cubiertas de escombros. Consulte la Guía de Asado a la Parrilla para la limpieza detallada.

pt Inspeccione a sua grelha de infravermelho antes de cada utilização para assegurar que as aberturas não estão cobertas com detritos. Consulte o Guia de grelhados para ver as instruções detalhadas de limpeza.

da Inspicer din infrarøde rist før hver brug for at sikre, at åbningerne ikke er dækket med affald. Se Grillevejledningen angående detaljerede rengøringsinstruktioner.

Záručného Vyhlásenia

Spoločnosť Char-Broil Europe GmbH, Gasstraße 6 - Haus L 4 Obergeschoß, D-22761 Hamburg, (Char-Broil) poskytuje NADOBÚDATEĽOVI dňom zakúpenia tohto výrobku značky Char-Broil nasledujúcu záruku, že nebude mať závady materiálu a spracovania nasledovne:

	Plynové grily
Horáky	10 rokov
Grilovacie mriežky/žiariče	3 roky
Všetky ostatné časti (EURO minimum)	2 roky

Spoločnosť Char-Broil alebo predajca tohto výrobku môže požadovať dôkaz o dátume jeho zakúpenia. **PRETO BY STE SI MALI ÚČTENKU ALEBO FAKTÚRU PONECHAŤ.**

Táto záruka zahŕňa nárok na opravu alebo výmenu výrobku alebo jeho častí, ktoré sa preukážu ako závadné pri normálnom používaní a činnosti výrobku. Pred vrátením ktorejkoľvek časti použite kontaktné informácie na našej internetovej stránke a urýchlene kontaktujte spoločnosť Char-Broil. V prípade závady spoločnosť Char-Broil podľa vlastnej úvahy bezplatne buď vymení alebo opraví výrobok alebo jeho časti. Spoločnosť Char-Broil vráti výrobok alebo jeho časti zákazníkovi a uhradí prepravu a poštovné. Ak sa spoločnosť Char-Broil rozhodne opraviť výrobok alebo jeho závadné časti a oprava nepomôže, budete mať na základe práv vyplývajúcich zo zákona nárok na zníženie kúpnej ceny alebo odstúpenie od zmluvy a preplatenie kúpnej ceny.

Táto záruka sa nevzťahuje na závady a poruchovú činnosť výrobku v dôsledku nehody, zlého zaobchádzania a nesprávneho používania výrobku, jeho pozmenenia, nesprávnej aplikácie, vandalizmu, nesprávnej montáže alebo neprimeranej údržby alebo servisu, alebo neposkytnutia normálnej alebo rutínnej údržby vrátane poškodenia spôsobeného hmyzom vo vnútri trúbok horáka a iného poškodenia ako sa uvádza v Návode na používanie. Môžu platiť určité výnimky, preto v prípade akýchkoľvek otázok v súvislosti s platnosťou tejto záruky vo vašom konkrétnom prípade sa obráťte na spoločnosť Char-Broil alebo vášho predajcu.

Schátranie alebo poškodenie v dôsledku extrémnych klimatických podmienok ako je krupobitie, hurikány, zemetrasenia alebo tornáda, vyblednutie v dôsledku vystavenia chemikáliám alebo či už priamo alebo v ovzduší, táto záruka nepokrýva a zvyčajne sa na ne nevzťahujú ani vaše práva vyplývajúce zo zákona.

Spoločnosť Char-Broil nie je zodpovedná za žiadne nepredvídateľné straty (t.j. stratu alebo poškodenie, ktoré ste vy, spoločnosť Char-Broil alebo predajca v čase kúpy nebrali do úvahy), ani za vami spôsobené poškodenie s výnimkou právnej zodpovednosti spoločnosti Char-Broil v prípade podvodu, smrti alebo úrazu osôb spôsobených jej nedbalosťou.

Spoločnosť Char-Broil neopravňuje žiadnu osobu alebo spoločnosť prevziať na seba v mene spoločnosti Char-Broil žiadne iné záväzky alebo zodpovednosť v súvislosti s predajom, montážou, používaním, demontážou, vrátením alebo výmenou jej zariadenia a uvedené zastupovanie nie je pre spoločnosť Char-Broil záväzné.

Táto záruka sa vzťahuje výlučne na výrobky predávané jednotlivcom v maloobchodnej sieti (na rozdiel od veľkoobchodu) v rámci Európskej únie.

Táto záruka nemá dopad na vaše práva vyplývajúce zo spotrebiteľských zákonov krajiny vášho pobytu.

Svoju žiadosť o servis v rámci záruky zašlite spoločnosti Char-Broil na emailovú adresu info-eu@charbroil.com.

Záručního Listu

Char-Broil Europe GmbH se sídlem na Gasstraße 6 - Haus L 4 Obergeschoß, D-22761 Hamburg, (Char-Broil) zaručuje kupujícímu tohoto produktu Char-Broil, že na něm nebudou závady, ani na materiálu ani provedení, od data koupě, následovně:

	Plynové Grily
Hořáky	10 roků
Rošty/sálače	3 roky
Všechny ostatní součástky (EURO minimum)	2 roky

Char-Broil nebo prodejce produktu může požadovat důkaz s datem koupě. **PROTO, SI VŽDY SCHOVEJTE ÚČTENKU, POKLADNÍ LÍSTEK NEBO FAKTURU.**

Tato Záruka zahrnuje právo na opravu nebo náhradu výrobku nebo jeho součástí, které se ukážou jako závadné při normálním používání nebo údržbě. Před reklamací jakékoli součástky ihned kontaktujte Char-Broil podle údajů uvedených na naší webové stránce. Jde-li o závadu, Char-Broil rozhodne, zda produkt nebo dané součástky vymění nebo opraví zdarma. Char-Broil vrátí produkt nebo jeho součástky zákazníkovi a dopravní náklady nebo poštovné budou uhrazeny. Pakli se Char-Broil rozhodne produkt nebo dané závadné součástky opravit a tato oprava se nepodaří, máte v souladu se zákonem nárok na sníženou kupní cenu nebo právo ustoupit od kupní smlouvy a požadovat vrácení peněz.

Tato Záruka se nevztahuje na selhání nebo provozní potíže, které jsou následkem nehody, špatného používání či zacházení, pozměnění, nesprávného používání, vandalismu, nesprávné instalace, nesprávné údržby nebo servisu, nebo následkem neplnění normální a pravidelné údržby, zahrnující mimo jiné hmyzem způsobené škody na vnitřních trubičkách hořáků, jak je popsáno v této příručce pro uživatele. Mohou platit výjimky, proto kontaktujte Char-Broil nebo prodejce s dotazy, jestli tato Záruka platí ve vašem konkrétním případě nebo ne.

Zchátrání nebo poškození následkem drsného počasí jako např. kroupy, uragán, zemětřesení nebo tornáda, vyblednutí způsobené přímým vystavením chemikáliím nebo látkami obsaženými ve vzduchu, tato Záruka nekryje a neplatí zde běžná ochrana podle zákona.

Char-Broil nenese zodpovědnost za žádné nepředvídatelné ztráty (tj. ztráty nebo škody, o kterých jste vy ani Char-Broil ani prodejce neuvažovali v době koupě), ani za škody, které jste způsobil(a) vy, s výjimkou, že odpovědnost firmy Char-Broil za podvod, smrt nebo úraz, způsobené její nedbalostí není omezená.

Firma Char-Broil neopravňuje žádnou jinou osobu nebo společnost k tomu, aby za ni převzala jakoukoli jinou povinnost nebo zodpovědnost ve spojitosti s prodejem, s instalací, s odstraněním, s používáním, s reklamací, s vrácením nebo s výměnou svého vybavení, a žádná taková prohlášení nejsou pro Char-Broil závazná.

Tato Záruka se vztahuje pouze na výrobky prodané v maloobchodě jednotlivcům (nikoliv podnikům) v Evropské Unii.

Tato Záruka nijak neovlivňuje vaše zákonem daná práva v souladu s platnými zákony o ochraně spotřebitelů ve státě vašeho bydliště.

V případě potřeby zárukou daného servisu se obraťte na Char-Broil na info-eu@charbroil.com.



(GB) NOTE: This information is a guide only. Items included in your BBQ specification may differ depending on region or specific dealer specification.

(CH) (FR) NOTE: Ces renseignements sont donnés à titre indicatif. Il est possible que les articles inclus dans les spécifications de votre barbecue diffèrent selon la région ou les caractéristiques stipulées par le concessionnaire.

(LU) (AT) (CH) (DE) ANMERKUNG: Diese Anleitung dient nur zu Informationszwecken. Einzelteile der Grillspezifikation sind unter Umständen verschieden entsprechend der Vertriebsregion oder bestimmten Händleranforderungen.

(CH) (IT) AVVERTENZA: Queste informazioni hanno il valore di guida soltanto. Gli articoli compresi nelle caratteristiche tecniche del barbecue potrebbero variare a seconda della regione o del concessionario.

(LU) (BE) (NL) ATTENTIE: Deze informatie is alleen bedoeld als gids. Onderdelen in uw BBQ specificatie en pakket kunnen per regio of per dealer verschillen.

(SE) ANM.: Denna information är endast avsedd som handledning. Specifikationerna för grillen kan variera regionalt eller beroende på de var som olika återförsäljare har.

(FI) HUOMATKAA: Nämä tiedot ovat pelkästään suuntaa antavia. osittain grillin yksityiskohdat voivat olla erilaiset paikkakunnan tai erityisten myykohtaisten yksityiskohtien mukaan.

(ES) NOTA: Esta información es una guía únicamente. Es posible que las indicaciones incluidas en las especificaciones de su Asador sean diferentes según la región o las especificaciones específicas del representante.

(PT) NOTA: Esta informação é simplesmente um guia. Os itens incluídos na especificação do seu BBQ poderão diferir dependendo da especificação da região ou do vendedor específico.

(DK) NB.: Denne information er kun vejledende. Specifikationer kan variere efter ønske fra forhandler, eller i henhold til nationale regler.

(NO) NB.: Denne informasjon er kun veiledende. Spesifikasjoner kan variere som stipulert av forhandler, eller i henhold til nasjonale krav.

(SK) POZNÁMKA: Tieto informácie slúžia len ako pomôcka. Údaje uvedené v technických údajoch vášho grilu sa môžu líšiť podľa regiónu alebo špecifických technických údajov stanovených predajcom.

(IS) ATHUGIÐ: Þessar upplýsingar eru aðeins leiðbeinandi. Hlutir sem finna má í lýsingu á grilli þínu geta verið mismunandi á milli svæða eða söluaðila.

(CZ) POZNÁMKA: Tyto informace slouží pouze jako instruktáž. Součástí vašeho BBQ. Specifikace se mohou lišit podle regionu/země nebo specifických údajů prodejce.

(IL) הערה: מידע זה נועד לייחוס בלבד. הפריטים הכלולים במפרט של מכשיר הגריל שברשותך עשויים להשתנות בהתאם לאזור או לדרישות של מפיץ מסוים.

All specifications are subject to change without notice.

Toutes les caractéristiques sont susceptibles d'être modifiées sans préavis.

Änderungen ohne vorherige Bekanntgabe vorbehalten.

Tutti i dati tecnici possono cambiare senza preavviso.

Alle specificaties kunnen zonder voorafgaande kennisgeving worden gewijzigd.

Kaikki oikeudet teknisten tietojen muutoksiin pidätetään.

Kaikki yksityiskohdat voivat muuttua ilman etta niistä erikseen ilmoitetaan.

Todas las especificaciones estan sujetas a cambios sin previo aviso.

Todas as especificações estão sujeitas a alteração sem aviso.

Alle specifikationer kan ændres foruden varsel.

Spesifikasjoner kan endres uten varsel.

Všetky špecifikácie sa môžu zmeniť bez upozomenia.

Allar lýsingar eru háðar breytingum án viðvörunar.

Všechny informace mohou být změněny bez předchozího upozornění.

כל המפרטים כפופים לשינויים ללא הודעה.



Char-Broil Europe GmbH
Gasstr. 6 - Haus L
4. Obergeschoss
D-22761 Hamburg

© 2017 Char-Broil, LLC
Columbus, GA 31902, U.S.A.
charbroil.eu