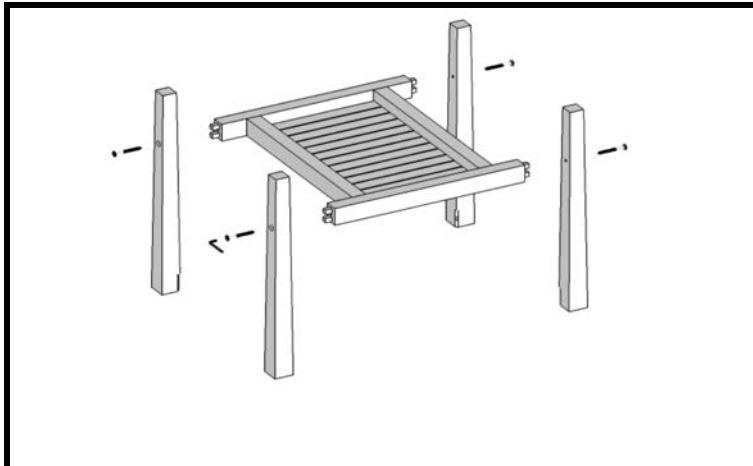
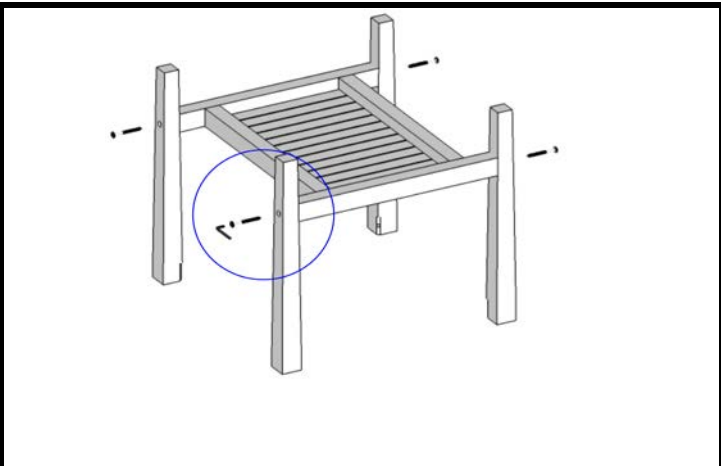


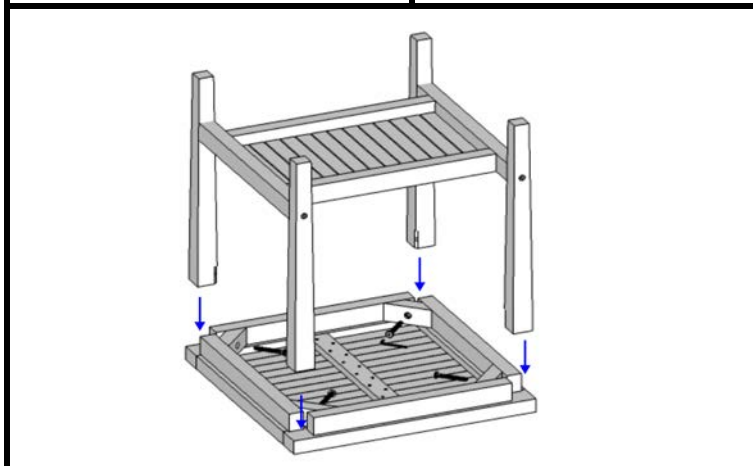
# SIDE TABLE 50X50X50 CM



STEP 1

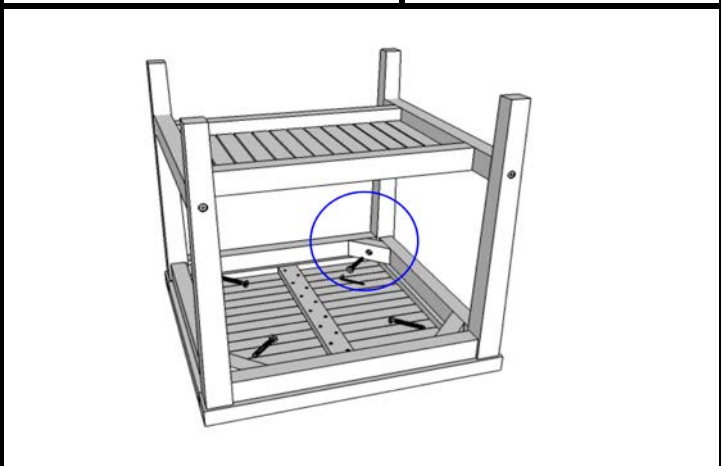


STEP 2

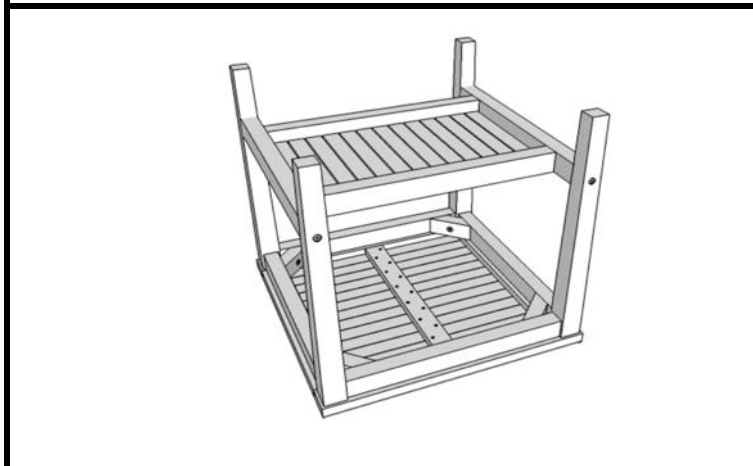


DETAIL

STEP 3



STEP 4





STEP 7





STEP 8

## ACCESSORIES

	A	4
	B	4

## ACCESSORIES

	C	1
	D	1