

SAVE THIS MANUAL FOR FUTURE USE.



ARIENS

**ARIENS SNOW ENGINE
OPERATION MANUAL**

FOR COLD WEATHER USE ONLY

This spark ignition system complies with the Canadian standard ICES-002 (2/NMB-2).

PGM45009 01/05/18 rev1



CALIFORNIA PROPOSITION 65

This product can expose you to chemicals including gasoline engine exhaust, which is known to the State of California to cause cancer, and carbon monoxide, which is known to the State of California to cause birth defects or other reproductive harm. For more information go to www.P65Warnings.ca.gov.

Current Patents: D596649; D634,337; D611,411; D593,190; D635,585, D549,241; RE43920; RE45,913; D572,659; D595,227; 9328696; 7975806; D580610; D590,110S; D627,368; D585,348; D600,252; D604,686; 201030127679.3; 200830020200.9; 200830299875.1; 201530458407.4; 201520911505.3; 201630277717; 201620636943.8; 201620636960.1; 201620636872.1; 201620636858.1; 201620528656.5; 201620583290.1; 201620616109.2; 200720046150.1; 200820217113.7; 200820214886.X; 200820217112.2; 200820214887.4; 200920040686.1; 200920038850.5; 200920044163.4; 201020258898.X; 200730184074.6; 200730184075; 200830021742.8; 200830023405.2; 200830028283.6; 200830299876.6; 200830299874.7; 200830299873.2; 200930031746.9; 200930036278.4; 200930035200; 201030127696.7; 201030127678.9; 201030127608.3; 200910210967.1; 201130459836.5; 201130500118.8; 201130459770.X; 201220024217.2; 201220042903.2; 201220186503.9; 201220218354.X; 201230237494.7; 201230271026.1; 201420342024.0; 201420633124.9; 201430417951.X; 201520233712.8; 201530103964.4; 201530225241.1; 201530225068.5; 201530225179.6; 201520911627.2; 201621429154.3; 201621429150.5; 201621429142.0; 201630636079.7; 201630636165.8; 201630636136.1; 201621326210.0; 201621429144.X; 201630636166.2



CARBON MONOXIDE HAZARD

NEVER use engine inside homes, garages, crawl spaces, or other partially enclosed areas. Poisonous gases that can be harmful or fatal can build up in these areas. Using a fan and opening doors or windows does NOT provide enough fresh air.


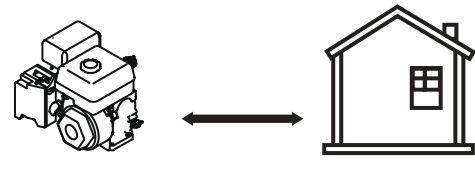
Engine exhaust contains carbon monoxide - a poisonous gas that can be harmful or fatal. You CANNOT see or smell this gas.

Use a battery-powered carbon monoxide detector when running an engine.

If you start to feel sick, dizzy, or weak while using an engine, shut it off and get to fresh air RIGHT AWAY. See a doctor. You may have carbon monoxide poisoning.

! DANGER

Using an engine or engine application indoors CAN KILL YOU IN MINUTES.
Exhaust contains carbon monoxide, a poison gas you cannot see or smell.

 <p>NEVER use in the home or in partly enclosed areas such as garages.</p>	 <p>ONLY use outdoors and far from open windows doors, and vents.</p>
---	---

Avoid other engine dangers.
READ MANUAL BEFORE USE.

Contents

Introduction	2
Engine and Safety Symbols	2
Engine Safety	3
Controls & Features	4
Before Operation	5
Pre-Operation Checks	5
Safe Operation Precautions	5
Operation	6-8
Run/Stop Rocker Switch	6
Before Starting the Engine	6
Starting the Engine (Manual Start)	6
Pull Start Procedure	6
Starting the Engine (Electric Start)	6
Keyed Run-Stop Switch	7
Before Starting the Engine	7
Starting the Engine (Manual Start)	7
Pull Start Procedure	7
Starting the Engine (Electric Start)	7
Stopping the Engine	8
High Altitude Operation	8
Servicing Your Engine	9-12
The Importance of Maintenance	9
Maintenance Safety Instructions	9
Refueling	10
Fuel Recommendations	10
Engine Oil Level Check	10
Snow Engine Oil Change Procedure	11
Engine Oil Recommendations	11
Spark Plug Maintenance	12
Helpful Tips and Suggestions	13-14
Storing Your Engine	13
Maintenance Schedule	13
Storage Precautions	14
Transporting	14
Technical & Consumer Information	14
Emission Control System Information	14
Consumer Information	14
Emissions Control Systems Warranty	15
Manufacturer's Warranty Information	16
California Emission Control Warranty Statement	16
General Emission Warranty Coverage	17
Warranted Parts	17

Introduction

When using this engine, your safety and the safety of others should be your top priority.

To assist you in making informed decisions regarding safety, we have provided operating procedures and other information on labels and in this manual. This information warns you of potential hazards that could hurt you or others.

Please stay safety conscious when using this engine. We have provided important safety information in a variety of forms, including:

- Safety Labels: placed on the engine.
- Safety messages: preceded by a safety alert symbol and one of three signal words, DANGER, WARNING, or CAUTION. These safety alert symbols mean:



DANGER

If you do not follow instructions, it WILL cause you SERIOUS INJURY or DEATH.



WARNING

If you do not follow instructions, it MAY cause you SERIOUS INJURY or DEATH.



CAUTION

If you do not follow instructions, it may cause you SERIOUS INJURY or EQUIPMENT DAMAGE.

- Safety Headings: such as IMPORTANT SAFETY INSTRUCTIONS.
- Safety Section: such as ENGINE SAFETY.
- Instructions: How to use this engine correctly and safely.

Thoroughly read and review this manual to know how to stay safe and get maximum benefit and enjoyment from using this engine.

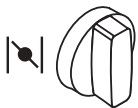
Engine and Safety Symbols



WARNING

IMPORTANT SAFETY SYMBOLS

Shown below are important safety symbols found throughout this manual. Become familiar with these, as they are important to the safe and efficient use of your engine



Choke Control



Fuel Control



Key Switch



RUN/STOP Switch



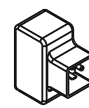
Keyed RUN/STOP Switch



Primer Bulb



Recoil Handle



Electric Starter Adaptor Plug



Starter Button



Idle Down Control (if equipped)



Choke Position



Shock



Hot Surface



RUN/STOP Switch



Stop



Primer



Key Insert

Engine Safety

WARNING

IMPORTANT SAFETY INSTRUCTIONS

Accidents occur less frequently when instructions are followed, the operator is safety conscious and the engine is properly maintained. Some of the most common hazards are discussed below, along with the best way to protect yourself and others.

- This engine is for COLD WEATHER USE ONLY.
- Fuel stabilizer is recommended for long term storage.

Owner and Operator Responsibilities

Owners and operators should perform the following suggestions:

- Carefully read the owners manual.
- Follow the instructions in this manual carefully.
- Familiarize yourself with all controls and know how to stop the engine quickly in case of an emergency.
- Keep children away from the engine and do not let them operate it. Keep children and pets away from the area of operation.
- Operate this engine in well-ventilated areas. NEVER run engine indoors.

Refueling the Engine

Gasoline is extremely flammable, and gasoline vapor can explode. When refueling the engine, take the following precautions.

- Perform when the engine is cool.
- Refuel outdoors in well-ventilated areas.
- The engine should not be running.
- Make sure the engine is grounded to prevent static electrical spark.
- Do not smoke or use cell phones when refueling.
- Keep away from flames or sparks
- If spillage occurs, be sure all areas are dry and vapor has dissipated prior to starting the engine.

Exhaust

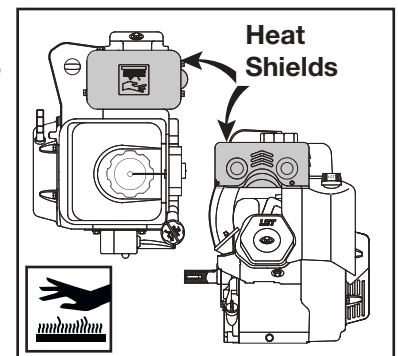
DANGER

CARBON MONOXIDE HAZARD:

Engine exhaust is dangerous because of intense heat and emission of carbon monoxide, a poisonous gas. Avoid inhalation of exhaust gas. Always run the engine in a well-ventilated area. Never run the engine indoors.

Heat Shield

- The snow engine is equipped with a heat shield that is designed to allow the engine to operate cold conditions (see starting procedure for correct choke placement when starting the engine). The heat shield and components inside are hot. Make sure the engine has sufficient time to cool before touching the shield or performing maintenance work inside the shield. See Maintenance Section for further information.
- To prevent fire hazards and for adequate ventilation, keep the engine at least 3 feet (1 meter) away from building walls and other equipment during operation. Do not place flammable objects close to the engine.



Other Equipment

Review the instructions provided with the equipment powered by this engine for any additional safety precautions that should be observed in conjunction with engine startup, shutdown, operation, or protective safety gear that may be needed to operate the equipment.

WARNING



Do not touch hot sections of engine (see figure above). The hot sections of the engine can cause severe burns.

Controls & Features

CONTROLS

1. Choke Control Knob

The Choke Control Knob opens and closes the choke valve in the carburetor. The "START" position enriches the fuel mixture which allows easier starting a cold engine. The "RUN" position provides the correct fuel mixture once engine warms up. Never try to shut the engine down using the Choke Control Knob.

2. Idle-Down Control Ring (if equipped) (not shown)

The Idle-Down Control Ring sets engine speed from high-speed to low-speed. Rotate the ring clockwise, "RUN" position for high-speed. This control MUST be set in the "RUN" position for starting a cold engine. By rotating the ring counterclockwise, "IDLE" position, will allow your engine to run at low-speed. DO NOT OPERATE EQUIPMENT IN THE IDLE POSITION. Note: the idle-down control is intended to be either in "RUN" or "IDLE" positions only.

3. Engine RUN/STOP Rocker Switch

The Engine Rocker Switch enables and disables the ignition system. Turn the engine switch to the RUN position to start the engine. Turn the Engine Rocker Switch to the STOP position to stop the engine.

3A. Keyed Run/Stop Switch

The Keyed Run/Stop Switch enables and disables the ignition system. Turn the engine's key switch to the RUN position to enable the engine to start and run. Turn the Engine's key switch to the STOP position to stop the engine. Remove the key for SAFETY to prevent non-supervised operation.

4. Fuel Control Knob

The Fuel Control Knob opens and closes the passage between the fuel tank and carburetor. The Fuel Control Knob must be in the "ON" position for the engine to run. When the engine is not in use, be sure to turn the Fuel Control Knob to the "OFF" position.

5. Safety Key Switch

The Safety Key Switch enables the engine electrical system and must be installed to start the engine.

6. Primer Bulb

The Primer Bulb system is designed to enrich the fuel mixture for starting a cold engine. DO NOT over prime the fuel system. To properly use the Primer Bulb system, depress Primer Bulb 3 times maximum when starting a cold engine. Do not use Primer Bulb system when attempting to start a warm engine.

7. Oversized Recoil Handle

The engine is started by pulling the Recoil Handle. Always grip firmly and have your body positioned properly when pulling.

When starting the engine:

- Slowly pull Recoil Handle until resistance is felt.
- Then pull firmly the full length of the rope to start engine.
- Never wrap thumb around Recoil Handle in the event of engine kick-back.

8. Oversized Gas Cap

Allows for easy opening and closing for more efficient refueling.

9. Electric Start (if equipped)

Used to start the engine with 120VAC extension cord. Always use correct size extension cord to prevent electric starter damage.

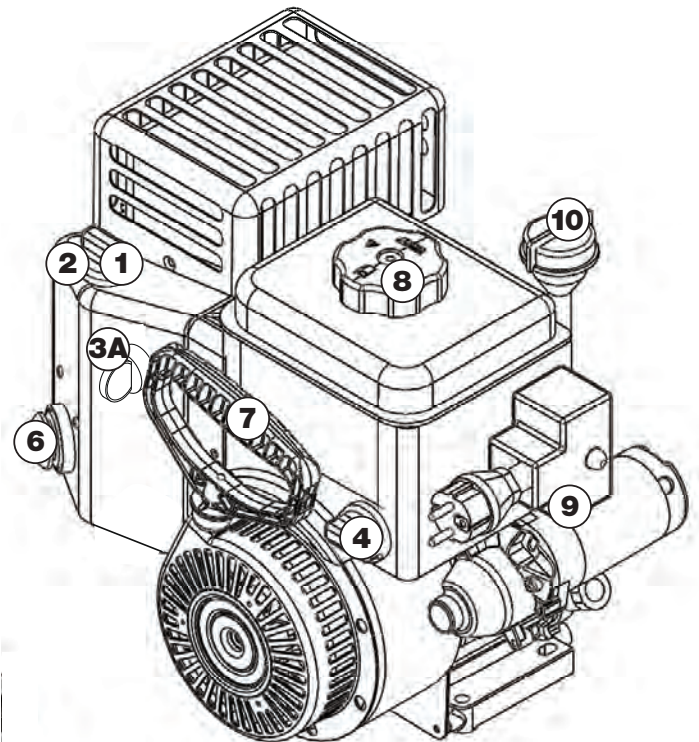
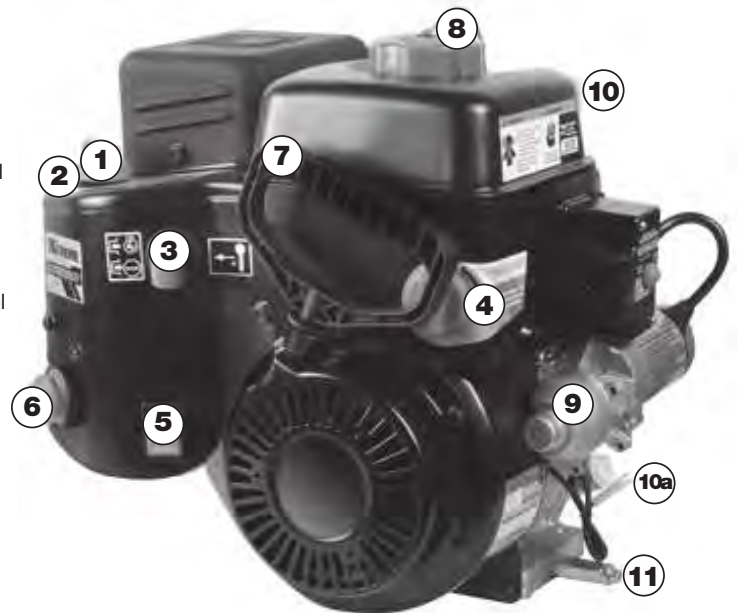
10. High Oil Fill Tube

Allows convenient location for adding oil during the life of the engine.

10a. Check oil level with lower oil fill plug per owner's manual instructions.

11. Oil Drain

The oil drain can be located on either side and on some models extend out below the recoil housing.



Before Operation

PRE-OPERATION CHECKS

For your safety, and to maximize the service life of your equipment, it is very important to take a few moments before you operate the engine to check its condition. Be sure to take care of any problem you find, or have your servicing dealer correct it, before you operate the engine.

WARNING

Improperly maintaining this engine or failing to correct a problem before operation, could cause a malfunction in which you could be seriously injured.

Always perform a pre-operation inspection before each operation and correct any problem.

Before beginning your pre-operation checks, be sure the engine is level and the engine switch is in the STOP position.

Check the General Condition of the Engine

- Remove any excess dirt or debris, especially around the heat shield, recoil starter, and cylinder head fins
- Inspect for signs of damage and oil leakage.
- Be sure all shields and covers are in place. All nuts, bolts, and screws must be tight.

Check the Engine

- Check the engine oil level. Running the engine with a low oil level or improper oil can cause engine damage. To avoid the inconvenience of an unexpected shutdown, always check the engine oil on a level surface before startup. Engine may be shipped with or without oil. 5W-30 oil is recommended for general use. Synthetic oil is an acceptable alternative (refer to Engine Oil Level Check (page 10) for proper engine oil levels).
- Check the fuel level before start-up. Since the engine must be cool before refueling, starting with a full tank will help to eliminate or reduce operating interruptions for refueling.

Electric Start

- For European 230V AC applications, use the appropriate grounded extension lead and power source.
- Determine if your power source has a Ground Fault Interrupt (GFI) three-wire system by consulting with a licensed electrician. If your power source does not have a GFI three-way ground system, DO NOT USE THE ELECTRIC STARTER due to a possible hazardous condition.

Check all Equipment Powered by this Engine

Review the instructions provided with the equipment powered by this engine for all precautions and procedures that should be followed before starting the engine.

SAFE OPERATING PRECAUTIONS

Review the instructions provided with the equipment powered by this engine for any safety precautions that should be observed in conjunction with starting, shutting down, or operating the engine.

WARNING

This engine is designed for **COLD WEATHER USE ONLY**.

WARNING

Carbon monoxide gas is toxic. Breathing it can cause unconsciousness and/or death. Avoid any areas or actions that expose you to carbon monoxide.

WARNING

DO NOT place hands on or near the exhaust system while starting.

Operation - Run/Stop Rocker Switch

BEFORE STARTING THE ENGINE (fig. 1)

Before starting the Engine, carefully note the following:

- Check Engine Oil Level.
- Allow Engine To Warm Up for approximately 15-20 seconds before rotating Choke Knob to Run Position.
- If inconsistent engine speeds are experienced when Choke Knob is rotated to Run Position:

1. Move Choke Knob to Mid-Point Between Run and Start Positions and allow Engine to develop additional operating heat.
2. After Engine has warmed up, rotate Choke Knob to Run Position.

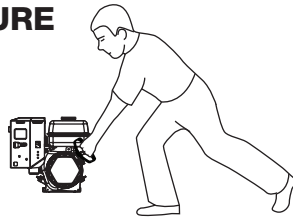
STARTING THE ENGINE (MANUAL START) (fig. 1)

1. Rotate Choke Knob to START position. Rotate Idle-Down Ring clockwise to "RUN" position (if equipped). Note: The engine pictured on these pages does not have an Idle Down feature.
2. Select RUN on Run/Stop Rocker Switch or turn rotary key switch to RUN.
3. Rotate Fuel Control Knob to ON position.
4. Safety Key Switch. Insert Safety Key Switch into slot (DO NOT TURN SAFETY KEY SWITCH). Be sure you feel a "snap" when Safety Key is fully inserted (do this only on models with individual key switch and rocker switch).
5. Prime system: 3 primes maximum. DO NOT over prime system. Make sure you cover the vent hole before the primer is compressed. Hold the primer bulb in the compressed position for one full second each time you press it. Repeat for a total of 3 primes.
6. Firmly grasp rope handle. Position your body so you are standing close to engine. Pull slowly until resistance is felt, then pull rope firmly and quickly to start engine and avoid kickback. DO NOT stand far away from engine or over extend the rope handle. Doing this will damage the recoil.

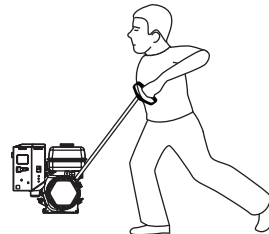
PULL START PROCEDURE



1. Firmly grasp recoil handle.



2. Position your body so you are standing close to engine.



3. Pull slowly until resistance is felt, then pull rope firmly and quickly to start engine and avoid kickback.



WARNING

Do not stand far away from engine or over-extend the rope handle. Doing this will damage the recoil

STARTING THE ENGINE (ELECTRIC START) (fig. 1)

Follow steps 1-5 for manual engine start procedure.

- 6A. Use a 3-wire extension cord and plug cord into starter motor adaptor first. Then plug cord into wall receptacle. Use appropriately sized extension cord (a minimum of 16 gage, 3-wire, 13 amp, no longer than 25 feet, and suitable for outdoor use) to prevent damage to electric starter.
7. Press and hold starter button.

CAUTION

Do not hold the electric starter button down for more than 5 seconds. Wait at least 1 minute before additional starting attempts.

IMPORTANT: After engine starts, unplug the cord from the starter adaptor.

WARNING



If additional extension cord is needed, make sure to use a three-wire cord. Do not exceed extension cord length provided by Equipment Manufacturer. Only use extension cord with equal to or greater AWG size wire that is provided by the Equipment Manufacturer.

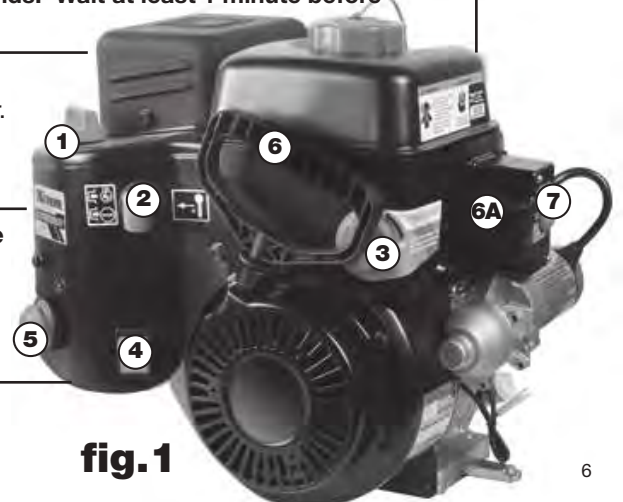


fig.1

Operation - Keyed Run-Stop Switch

BEFORE STARTING THE ENGINE (fig. 1)

Before starting the Engine, carefully note the following:

- Allow Engine To Warm Up for approximately 30 seconds before rotating Choke Knob to Run Position.
- If inconsistent engine speeds are experienced when Choke Knob is rotated to Run Position:
 1. Move Choke Knob to Mid-Point Between Run and Start Positions and allow Engine to develop additional operating heat.
 2. After Engine has warmed up, rotate Choke Knob to Run Position.

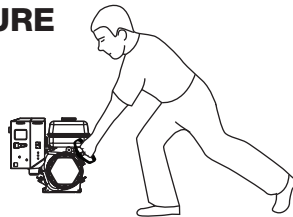
STARTING THE ENGINE (MANUAL START) (fig. 1)

1. Rotate Choke Knob to START position. Rotate Idle-Down Ring clockwise to "RUN" position (if equipped).
Note: The engine pictured on these pages does not have an Idle Down feature.
2. Insert key into engine Run/Stop Switch and rotate clockwise to RUN position.
3. Rotate Fuel Control Knob to ON position.
4. Prime system: 3 primes maximum. DO NOT over prime system. Make sure you cover the vent hole before the primer is compressed. Hold the primer bulb in the compressed position for one full second each time you press it and remove thumb from primer completely between primes. Repeat for a total of 3 primes.
5. Firmly grasp rope handle. Position your body so you are standing close to engine. Pull slowly until resistance is felt, then pull rope firmly and quickly to start engine and avoid kickback. DO NOT stand far away from engine or over extend the rope handle. Doing this will damage the recoil.

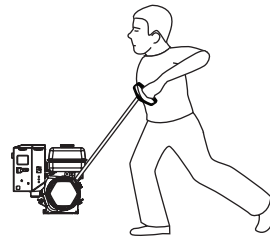
PULL START PROCEDURE



1. Firmly grasp recoil handle.



2. Position your body so you are standing close to engine.



3. Pull slowly until resistance is felt, then pull rope firmly and quickly to start engine and avoid kickback.



⚠ WARNING

Do not stand far away from engine or over-extend the rope handle. Doing this will damage the recoil.

STARTING THE ENGINE (ELECTRIC START) (fig. 1)

Follow steps 1-4 for manual engine start procedure.

- 5A. Use a 3-wire extension cord and plug cord into starter motor adaptor first. Then plug cord into wall receptacle. Use appropriately sized extension cord (a minimum of 16 gage, 3-wire, 13 amp, no longer than 25 feet, and suitable for outdoor use) to prevent damage to electric starter.
6. Press and hold starter button.

⚠ CAUTION

Do not hold the electric starter button down for more than 5 seconds. Wait at least 1 minute before additional starting attempts.

⚠ IMPORTANT: After engine starts, unplug the cord from the starter adaptor.

⚠ WARNING



If additional extension cord is needed, make sure to use a three-wire cord. Do not exceed extension cord length provided by Equipment Manufacturer. Only use extension cord with equal to or greater AWG size wire that is provided by the Equipment Manufacturer.

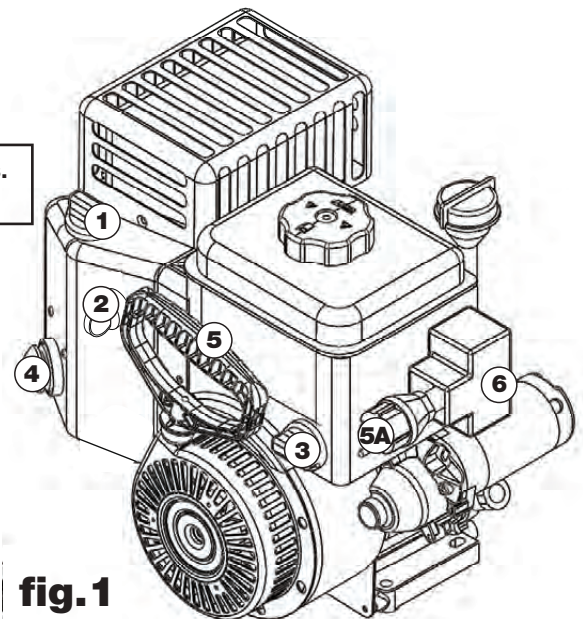


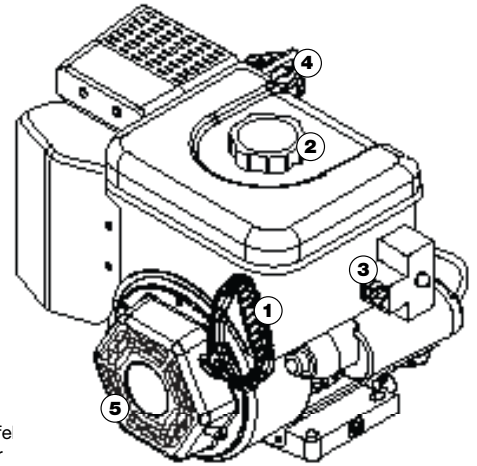
fig. 1

Ariens EFI Snow Engine Operation

⚠ **IMPORTANT:** Refer to the main manual for all other operating and maintenance instructions.

CONTROLS

- 1. Oversized Recoil Handle:** The large recoil handle is specifically designed for use when wearing heavy winter gloves and mittens.
- 2. Oversized Gas Cap:** Allows for easy opening and closing for more efficient refueling.
- 3. Electric Start:** Used to start the engine with 120VAC extension cord. Always use correct size extension cord to prevent electric starter damage.
- 4. High Oil Fill Tube:** Allows convenient location for adding oil during the life of the engine. Check oil level with lower oil fill plug per owner's manual instructions.
- 5. Oil Drain:** Extends out below the recoil housing for easy access.



BEFORE STARTING THE ENGINE

Before starting the engine, check engine oil level.

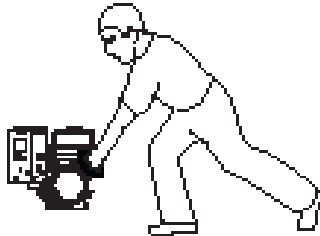
STARTING THE ENGINE (MANUAL START)

1. Insert key (see Ariens manual for location and directions).
2. Firmly grasp rope handle. Position your body so you are standing close to engine. Pull slowly until resistance is felt then pull rope firmly and quickly to start engine and avoid kickback. **DO NOT** stand far away from engine or over extend the rope handle. Doing this will damage the recoil.

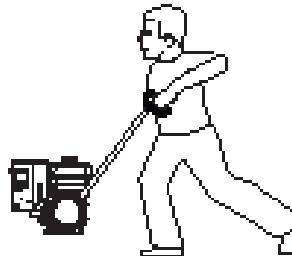
PULL START PROCEDURE



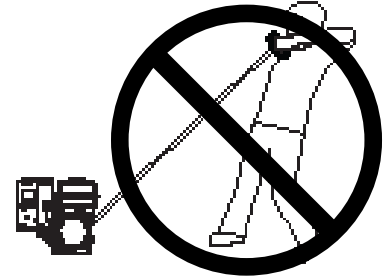
1. Firmly grasp recoil handle.



2. Position your body so you are standing close to engine.



3. **PULL SLOWLY UNTIL RESISTANCE IS FELT, then pull rope firmly and quickly to start engine and avoid kickback.**



⚠ WARNING

Do not stand far away from engine or over-extend the rope handle. Doing this will damage the recoil.

STARTING THE ENGINE (ELECTRIC START) (fig. 1)

1. Insert key (See Ariens manual for location and directions).
2. Use a 3-wire extension cord and plug cord into starter motor adaptor first. (1) Then plug cord into wall receptacle. Use appropriately sized extension cord (a minimum of 16 gage, 3-wire, 13 amp, no longer than 25 feet, and suitable for outdoor use) to prevent damage to electric starter.
3. Press and hold starter button (2). ⚠ **IMPORTANT:** After engine starts, unplug the cord from the starter adaptor.

⚠ CAUTION

Do not hold the electric starter button down for more than 5 seconds. Wait at least 1 minute before additional starting attempts.

⚠ WARNING



If additional extension cord is needed, make sure to use a three-wire cord. Only use extension cord with equal to or greater AWG size wire as mentioned above.

MAINTENANCE SCHEDULE

Normal Operating Conditions

(less than 40 hrs. per year)

	EACH USE	FIRST MONTH	EVERY 6 MONTHS	ONCE A YEAR
Fuel Filter				Replace

Extreme Operating Conditions

(greater than 40 hrs. per year)

	EACH USE	FIRST MONTH	EVERY 6 MONTHS	ONCE A YEAR
Fuel Filter				Replace

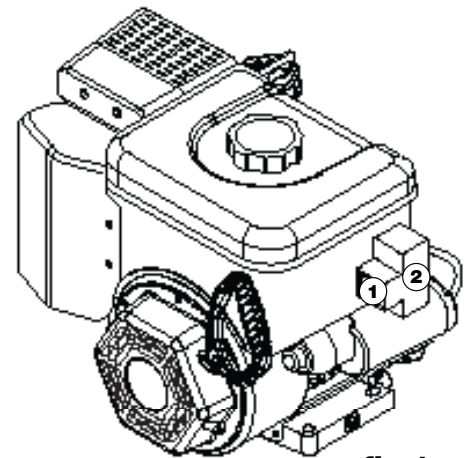


fig. 1

⚠ CAUTION

Following proper maintenance is critical under extreme operating conditions.

STOPPING THE ENGINE RUN/STOP ROCKER SWITCH (fig. 2)

To stop the engine in an emergency:

1. Flip Rocker Switch to STOP position, or
2. Pull Safety Key from Engine.

Under normal conditions, use the following procedure:

1. Flip Rocker Switch to STOP position.
2. Pull Safety Key from Engine and store in a safe place for future use.



fig.2

STOPPING THE ENGINE KEYED RUN/STOP SWITCH (fig. 3, 4)

To stop the engine:

1. Rotate Run/Stop Key Switch counterclockwise to STOP position.
2. Pull Key from Engine and store in a safe place for future use.

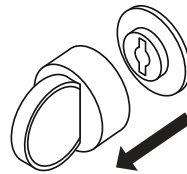


fig.3

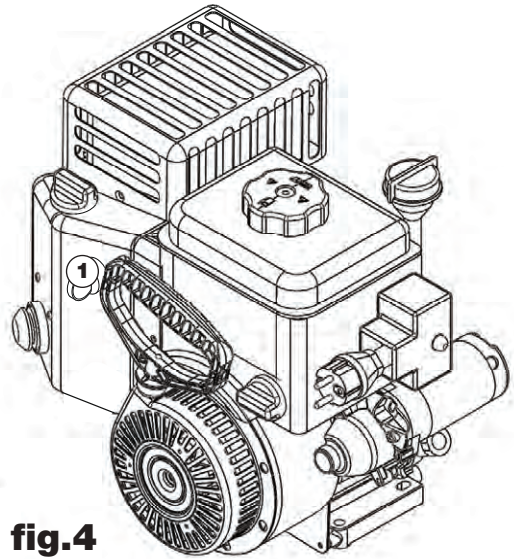


fig.4

HIGH ALTITUDE OPERATION

Carburetor Modification

The standard carburetor air-fuel mixture may be too rich when operated at high altitude resulting in possible decreased performance and increased fuel consumption. Please have an authorized Ariens Service Center modify this engine's carburetor if it is operated continuously above 5000 feet. Failure to modify may result in poor engine performance, spark plug fouling, hard starting, and increased emissions.

Carburetor modification by an authorized Ariens Service Center will improve performance and allow this engine to continually meet US EPA and California ARB emission standards throughout its useful life.

Important Note

When the carburetor has been modified for high altitude operation, the air-fuel mixture may be too lean for operation at 5000 feet or below. This could result in the engine overheating and could cause serious engine damage. Please have an authorized Ariens Service Center restore high altitude converted carburetors back to the original factory specification before operating below 5000 feet.

To locate the nearest Ariens dealer, please visit our website or call our toll free hotline:

www.ariens.com
1-888-927-4367

Servicing Your Engine

THE IMPORTANCE OF MAINTENANCE

Protect yourself and your equipment by properly maintaining your engine.

Proper engine maintenance is necessary for safe, economical, and trouble-free operation.

WARNING

Improperly maintaining this engine, or failure to correct a problem before operation, can cause a malfunction in which you can be seriously hurt or killed. Always follow the inspection and maintenance recommendations and schedules in this owner's manual.

To assist you in properly caring for your engine, the following pages include routine inspection procedures and simple maintenance procedures using basic hand tools. Service tasks that are more difficult or which require special tools should be handled by professionals and are normally performed by a service technician or qualified mechanic.

NOTICE

See Maintenance Schedule for normal and extreme operation condition differences.

MAINTENANCE SAFETY INSTRUCTIONS

This manual contains very important safety precautions. However, we cannot warn you of every conceivable hazard that can arise while performing maintenance. You must decide whether or not you should perform a given task and always be safety conscious.

Safety Precautions

- Make sure the engine is not running, is turned OFF, spark plug cap is removed from spark plug, and engine is cooled off before you begin any maintenance or repairs. This can prevent several potential hazards, such as the following:

Carbon monoxide poisoning from engine exhaust.

Run engine in a well-ventilated area.

Burns from hot parts.

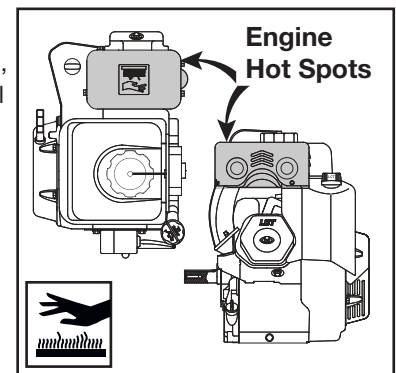
Let the engine and exhaust system cool-off before touching. (see drawing right)

Injury from moving parts.

Do not run the engine unless instructed to do so.

- Before you begin maintenance, read all instructions and make sure you have the tools and skills required.
- To reduce the possibility of fire or explosion, be alert when working around gasoline. Use only a nonflammable solvent, not gasoline, to clean parts. Keep cigarettes, sparks and flames away from all fuel-related parts.
- It is suggested to keep a fire extinguisher close by when performing maintenance.

Your servicing dealer knows your engine best and is equipped to maintain and repair it.



Servicing Your Engine CONTINUED

REFUELING

With the engine stopped and cool, remove the fuel tank cap and check the fuel level. Refill the tank if the fuel level is low. Leave enough area in the tank to allow for fuel expansion caused by heat. This will help prevent fuel from being forced from the tank onto a hot surface. NEVER FILL TANK ABOVE MARKED RECOMMENDATIONS ON STRAINER.

⚠ WARNING

Gasoline is highly flammable and explosive. You can be burned or seriously injured when handling fuel.

- Stop the engine and keep heat, sparks and flame away.
- Only handle fuel outdoors.
- Wipe up spills immediately.
- Allow engine to cool before refueling.

Refuel in a well-ventilated area with the engine OFF and cool. Avoid spilling fuel. Do NOT fill above the fuel strainer marking. Fuel cap should make a “clicking” sound when properly tightened. After refueling, tighten the fuel tank cap securely. Refuel the engine in a properly ventilated location and away from where fuel fumes may reach flames or sparks. Keep fuel away from appliance pilot lights, barbecues, electric appliances, power tools, and other electric appliances.

Spilled fuel is a fire hazard and it causes environmental damage. Wipe up spills immediately. Do not use cell phones or other electronic devices while refueling. Prevent static electricity when refueling. Fuel can damage paint and plastic. Do not spill fuel when filling your fuel tank. Damage caused by spilled fuel is not covered under warranty.

FUEL RECOMMENDATIONS

Use unleaded gasoline with a pump octane rating of 86 or higher. These engines operate best on unleaded gasoline.

⚠ CAUTION

Do NOT use stale or contaminated gasoline or an oil/gasoline mixture. Avoid getting dirt or water in the fuel tank. Use only proper fuel containers that are properly marked.

⚠ CAUTION

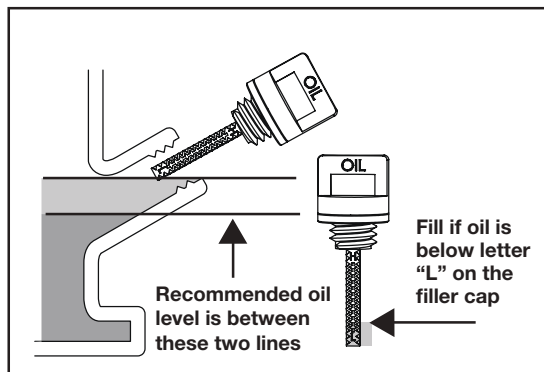
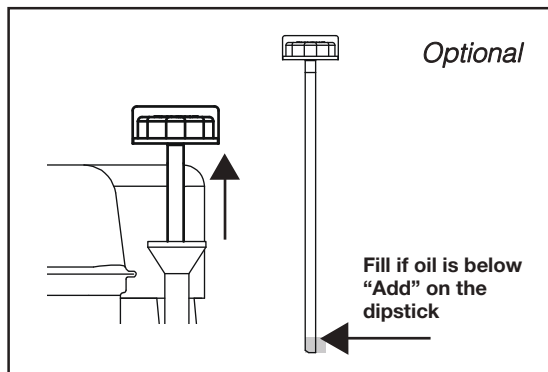
DO NOT use E85 blended fuels. This engine is not E15 compatible.

Maximum recommended ethanol content: 10%

ENGINE OIL LEVEL CHECK

Check the engine oil level with the engine stopped and with the engine in a level position.

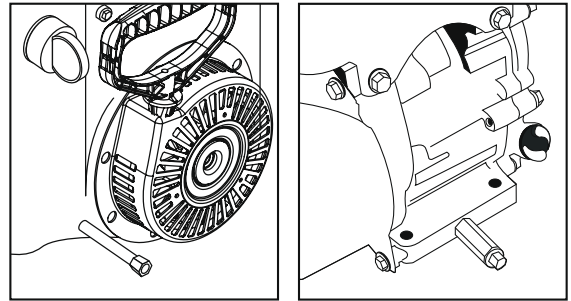
1. Remove either side mounted filler cap dipstick or high oil fill dipstick (if equipped) and wipe it clean.
2. Insert the dipstick into the filler neck and turn clockwise until fully seated. Then remove the dipstick by turning it counter-clockwise. Check the oil level shown on the dipstick.
3. Securely screw in the filler cap/dipstick. Running the engine with a low oil level can cause engine damage. Always check the engine oil before start up.



Servicing Your Engine CONTINUED

SNOW ENGINE OIL CHANGE PROCEDURE RUN/STOP ROCKER SWITCH

1. Begin the oil change with a cold engine.
2. Start and run the engine for 1-2 minutes.
3. Turn the engine off.
4. Place the rocker switch in the stop position.
5. Remove the snow safety key.
6. The body of the oil drain tube should be supported as the oil drain plug or cap is removed. Support the body of the oil drain tube with a 14mm wrench in a clockwise direction. Loosen the 10mm oil drain plug, or 16mm drain cap, by turning it counter-clockwise. Remove the oil drain plug and crush washer, or cap.
7. Drain the oil completely.
8. Verify the oil drain tube (if equipped) is tight in the engine cylinder block: 36 NM & 320-330 in. lbs.
9. Reinstall the oil drain plug and crush washer, or cap. The crush washer must be reinstalled between the oil drain tube and oil drain plug to prevent oil leakage. On Front Oil Drain, the use of Teflon tape or pipe thread sealer should be used to prevent oil leakage. Tighten the oil drain plug, or cap to 31 NM & 270-280 in. lbs.
10. Refill the crankcase with the proper oil type and amount.
11. Checking oil with a dip stick; screw the dip stick cap down tightly, then remove and check oil level.

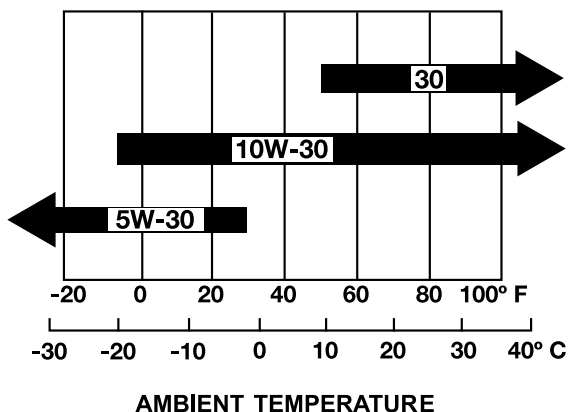


SNOW ENGINE OIL CHANGE PROCEDURE KEYED RUN/STOP SWITCH

1. Begin the oil change with a cold engine.
2. Start and run the engine for 1-2 minutes.
3. Turn the engine off.
4. Remove the Stop/Run key.
5. The body of the oil drain tube should be supported as the oil drain plug is removed. Support the body of the oil drain tube with a 14mm wrench in a clockwise direction. Loosen the 10mm oil drain plug by turning it counter-clockwise. Remove the oil drain plug and crush washer.
6. Drain the oil completely.
7. Verify the oil drain tube is tight in the engine cylinder block: 36 NM & 320-330 in. lbs.
8. Reinstall the oil drain plug and crush washer. The crush washer must be reinstalled between the oil drain tube and oil drain plug to prevent oil leakage. Tighten the oil drain plug to 31 NM or 270-280 in. lbs.
9. Refill the crankcase with oil per snow manual instructions

ENGINE OIL RECOMMENDATIONS

- Engine oil affects performance and service life. Use 4-stroke automotive detergent oil.
- 5W-30 oil is recommended for general use (synthetic oil is an acceptable alternative).
- The SAE oil viscosity and service classification are in the API label on the oil container. Use API SERVICE category SJ engine oil, or higher.



Engine Oil Capacities:

136cc - 16 oz (.473 liter)	291cc - 32 oz (.946 liter)
179cc - 16 oz (.473 liter)	306cc - 32 oz (.946 liter)
208cc - 16 oz (.473 liter)	369cc - 38 oz (1.123 liter)
223cc - 16 oz (.473 liter)	414cc - 38 oz (1.123 liter)
254cc - 20 oz (.591 liter)	420cc - 38 oz (1.123 liter)

Note: Total oil capacity could be as much as 4 additional ounces over volumes above due to engine mounting angle and proper draining.

SPARK PLUG MAINTENANCE

F6RTC (Torch) Plug Recommended / F6RTP (Platinum) Optional

Cross References:

- Champion plug cross reference is: RN9YC (some tables show RN9YCC)
- NGK plug cross reference: BPR6ES
- BOSCH plug cross reference is: WR6DC

- **NOTICE**

Using an incorrect spark plug may cause engine damage.

Changing the Spark Plug

WARNING



The heater box may be hot and must be allowed to cool completely before touching. Muffler and components inside heat shield may be HOT! Allow to cool before servicing the spark plug or any area inside and around the heat shield.

1. When engine is cool, remove Safety Key.
2. Disconnect the spark plug cap and remove any debris from the spark plug area with high pressure air.
3. Remove the spark plug with a 13/16-inch spark plug wrench.
4. Inspect the spark plug. Replace it if the electrodes are worn or if the insulator is cracked or chipped. Spark plug gap should be set to 0.027 - 0.030 inches.
5. Install the spark plug carefully to avoid cross threading. Screw in spark plug by hand until it stops turning.
6. Tighten the spark plug with a 13/16-inch spark plug wrench. Tighten 1/4 turn after the spark plug seats.

NOTICE

A loose spark plug can overheat and damage the engine. Over-tightening the spark plug can damage the threads in the cylinder head.

7. Attach the spark plug cap. Ensure spark plug cap snaps into place securely.
8. Reinstall Safety Key before attempting to start engine.

Helpful Tips & Suggestions

STORING YOUR ENGINE

Storage Preparation

Proper storage preparation keeps your engine trouble-free and clean. The following steps will assist in keeping rust and corrosion from impairing your engine's function and appearance, and will make the engine easier to start when using again.

Cleaning

If the engine has been running, allow it to cool for at least half an hour before cleaning. Clean all exterior surfaces and apply a light film of spray penetrating lubricant.

- Do not allow water to enter into the exhaust ports or into the heat shield openings (intake port). Water that passes through these areas can cause damage to the engine. Use a rag to wipe down heat shield if cleaning is required.
- Water contacting a hot engine can cause damage. If the engine has been running, allow it to cool for at least half an hour before washing.
- It's best to use compressed air to clean debris from engine.

Short Term Non-use (up to 30 days)

1. Add fuel stabilizer, following the manufacturer's instructions.
2. Turn the red fuel knob to the ON position after adding fuel stabilizer.
3. Start the engine.
4. Run the engine outdoors for 5 minute to be sure that treated gasoline has circulated through the carburetor.
5. Stop the engine.

Long Term (more than 30 days)

1. Drain all fuel or run the engine until it stops due to lack of fuel.
2. Add 4-6oz of an ethanol free fuel.
3. Start the engine and run until it stops from lack of fuel.
4. Drain remaining fuel from the carburetor bowl.

MAINTENANCE SCHEDULE

Normal Operating Conditions (less than 40 hrs. per year)

	EACH USE	FIRST MONTH	EVERY 6 MONTHS	ONCE A YEAR
Engine Oil Level	Check			
Engine Oil		Replace	Replace	
Spark Plug*			Clean	Replace
Cylinder/Head Fins				Clean
Oil Leaks	Check/Repair			
Bolts	Check/Repair			
Fuel Hose Clamps	Check/Repair			

* Spark plug gap to be set to 0.027 - 0.030 inches.

Extreme Operating Conditions (greater than 40 hrs. per year)

	EACH USE	EVERY 40 HOURS
Engine Oil Level	Check	
Engine Oil		Drain and Replace
Spark Plug*		Replace
Cylinder/Head Fins	Check	Clean
Oil Leaks	Check/Repair	
Bolts	Check/Repair	
Fuel Hose Clamps	Check/Repair	

* Spark plug gap to be set to 0.027 - 0.030 inches.

CAUTION

Following proper maintenance is critical under extreme operating conditions.

Helpful Tips & Suggestions CONTINUED

STORAGE PRECAUTIONS

If your engine will be stored with gasoline in the fuel tank and in the carburetor, there is the possible hazard of gasoline vapor ignition. Choose a well-ventilated storage area away from heat, sparks, flames, and any appliance that operates with a flame or spark such as a furnace, water heater, or clothes dryer. Avoid any area with a spark-producing electric motor, garage door openers, or where power tools are operated.

Avoid storage areas with high humidity which causes rust and corrosion. Leave the red fuel knob in the OFF position to reduce the possibility of fuel leakage.

Position the equipment so the engine is level to avoid fuel or oil leakage. When the engine and exhaust system are cool, cover the engine to keep out dust. A hot engine and exhaust system can ignite or melt certain materials. Do not use sheet plastic as a dust cover. A nonporous cover can trap moisture around the engine causing rust and corrosion.

Removal From Storage

Check your engine as described in the BEFORE OPERATION chapter of this manual. If refueling is required, only use fresh gasoline.

TRANSPORTING

Transport only when engine is cool. A hot engine and exhaust system can burn you and can ignite some materials. Keep the engine level when transporting to reduce the possibility of fuel leakage. Position the red fuel knob to the OFF position. Secure the engine to prevent movement during transporting to prevent potential injury and damage to the engine.

Technical & Consumer Information

EMISSION CONTROL SYSTEM INFORMATION

The U.S. and California Clean Air Acts

EPA and California regulations require all manufacturers to furnish written instructions describing the operation and maintenance of emission control systems.

The following instruction and procedures must be followed in order to keep the emissions from your engine within the emission standards.

Tampering and Altering

Tampering with or altering the emission control system may increase emissions beyond the legal limit. Among those acts that constitute tampering are:

- Removal or alteration of any part of the intake, fuel or exhaust systems.
- Altering or defeating the governor linkage or speed-adjusting mechanism to cause the engine to operate outside its design parameters.

CONSUMER INFORMATION

Manufacturer Publications

These publications will give you additional information for maintaining and repairing your engine. You may order them online at most book retailing web sites.

Small Engine Repair — Chilton Manual

This manual covers complete maintenance and overhaul procedures. It is intended to be used by a skilled technician.

Emissions Control Systems Warranty

United States Environmental Protection Agency (US EPA), and Ariens Company are pleased to explain the emission control system warranty on your small off-road engine. Ariens must warrant the emission control system on your small off-road engine for the periods of time listed below provided there has been no abuse, neglect or improper maintenance of your small off-road engine.

MANUFACTURER'S WARRANTY COVERAGE

1995 and later small off-road engines are warranted for two years. If any emission-related part on your engine is defective, the part will be repaired or replaced by Ariens Company.

OWNER'S WARRANTY RESPONSIBILITIES

As the small off-road engine owner, you are responsible for the performance of the required maintenance listed in your owner's manual. Ariens Company recommends that you retain all receipts covering maintenance on your small off-road engine. Ariens Company cannot deny warranty solely for the lack of receipts or for your failure to ensure the performance of all scheduled maintenance.

As the small off-road engine owner, you should however be aware that Ariens Company may deny you warranty coverage if your small off-road engine or a part has failed due to abuse, neglect, improper maintenance or unapproved modifications.

You are responsible for presenting your small off-road engine to an authorized Ariens Company service center as soon as a problem exists. The warranty repairs should be completed in a reasonable amount of time, not to exceed 30 days.

If you have any questions regarding your warranty rights and responsibilities, you should contact Ariens Company at 1-888-927-4367.

GENERAL EMISSIONS WARRANTY COVERAGE

The warranty period begins on the date the engine or equipment is delivered to an ultimate Purchaser. Ariens Company warrants to the ultimate purchaser and each subsequent purchaser that the engine is: (1) Designed, built, and equipped so as to conform with all applicable regulations adopted by the Air Resources Board pursuant to its authority in Chapters 1 and 2, Part 5, Division 26 of the Health and Safety Code; and, (2) Free from defects in materials and workmanship that cause the failure of a warranted part to be identical in all material respects to the part as described in the Ariens Company's emission control system warranty statement for a period of two years. (3) Repair or replacement of any warranted part under the warranty provisions will be performed at no charge to the owner at an Ariens Company service center.

The warranty on emissions-related parts will be interpreted as follows: Any warranted part that is not scheduled for replacement as required maintenance in the written instructions supplied must be warranted for the warranty period specified in (2) above. If any such part fails during the period of warranty coverage, it must be repaired or replaced by Ariens Company according to (3) above. Any such part repaired or replaced under the warranty must be warranted for the remaining warranty period. Any warranted part that is scheduled only for regular inspection in the written instructions supplied must be warranted for the warranty period specified in (2) above. A statement in such written instructions to the effect of "repair or replace as necessary" will not reduce the period of warranty coverage. Any such part repaired or replaced under warranty must be warranted for the remaining warranty period.

Any warranted part that is scheduled for replacement as required maintenance in the written instructions supplied must be warranted for the period of time prior to the first scheduled replacement point for that part. If the part fails prior to the first scheduled replacement, the part will be repaired or replaced by Ariens Company according to (3) above. Any such part repaired or replaced under warranty will be warranted for the remainder of the period prior to the first scheduled replacement point for the part. Notwithstanding the provisions of (3) above, warranty services or repairs will be provided at all Ariens Company's service centers that are franchised to service the subject engines. The owner will not be charged for diagnostic labor that leads to the determination that a warranted part is in fact defective, provided that such diagnostic work is performed at an authorized Ariens Company service center.

Ariens Company is liable for damages to other engine components proximately caused by a failure under warranty of any warranted part. Throughout the engine's warranty period defined in (2) above, Ariens Company will maintain a supply of warranted parts sufficient to meet the expected demand for such parts. Any replacement part may be used in the performance of any warranty maintenance or repairs and will be provided without charge to the owner. Such use will not reduce the warranty obligations of Ariens Company. Add-on or modified parts may not be used. Such use will be grounds for disallowing a warranty claim. Ariens Company will not be liable to warrant failures of warranted parts caused by the use of such an add-on or modified part.

Manufacturers Warranty Information

ENGINE OWNER WARRANTY POLICY

Effective date: January 1, 2012

MANUFACTURER'S LIMITED WARRANTY STATEMENT

Ariens Company engines and equipment are manufactured to the highest level of quality to bring our customers unparalleled owner satisfaction. Ariens Company engines and products are warranted to the original owner as follows:

WARRANTY COVERAGE

What is covered:

Ariens Company will repair or replace any part or parts of the engine that are found to be defective in material or workmanship under normal use during the warranty period shown below. Warranty repairs or replacement will be made without charge for parts or labor.

How to obtain warranty service:

You must deliver your Ariens engine, or the equipment, together with proof of original retail purchase date, at your expense, to an Ariens engine dealer or distributor authorized to perform warranty repairs. To find the nearest authorized service center to you go to: www.ariens.com and click on the SUPPORT page to find the link.

WARRANTY PERIOD

Consumer: 3 Years

Commercial & Rental: 1 Year

THERE IS NO OTHER EXPRESS WARRANTY MADE OR IMPLIED AND ARIENS COMPANY DISCLAIMS ALL OTHER WARRANTIES, INCLUDING, WITHOUT LIMITATION, WARRANTIES OF PERFORMANCE, MERCHANTABILITY OR FITNESS FOR A PARTICULAR PURPOSE. IN NO EVENT AND UNDER NO THEORY WHATSOEVER, SHALL ARIENS COMPANY BE LIABLE FOR ANY HARM OR DAMAGE, WHETHER DIRECT, INDIRECT, CONSEQUENTIAL OR SPECIAL, SUFFERED BY OWNER. OWNER'S SOLE REMEDY SHALL BE THE REPAIR OR REPLACEMENT OF THE DEFECTIVE ARIENS COMPANY COMPONENT, PART OR EQUIPMENT THEREOF, AT ARIENS COMPANY'S DISCRETION, ALL IN ACCORDANCE WITH THIS WRITTEN LIMITED WARRANTY. ARIENS COMPANY HAS NOT AUTHORIZED ANY PERSON TO MODIFY, ALTER OR EXPAND THE WARRANTIES CONTAINED IN THIS DOCUMENT.

LIMITATION OF LIABILITY

It is understood and agreed that Ariens Company's liability and owner's sole remedy, whether in contract, under any warranty, in tort (including negligence) and strict liability or otherwise, shall not exceed the return of the amount of the purchase price paid by the owner and under no circumstances shall Ariens Company be liable for any special, incidental or consequential damages, including, but not limited to, personal injury, property damage, damage to or loss of equipment, lost profits or revenue, costs of renting replacements and other additional expenses, even if Ariens Company has been advised of the possibility of such damages. The price stated for the Ariens Company product is a consideration in limiting Ariens Company's Liability and owner's remedy. Some states do not allow the exclusion or limitation of incidental and consequential damages, and as such, the above language may not be applicable in such states that do not allow the exclusion or limitation of incidental and consequential damages. This Warranty gives you specific legal rights and you may also have other rights, which vary, from state to state.

NOT COVERED UNDER THE MANUFACTURER'S WARRANTY

Items and conditions that are not covered under the manufacturer's engine warranty include but not limited to:

- Neglect, abuse, lack of scheduled maintenance, external damage during operational use or transportation.
- Coverage of scheduled maintenance, such as oil changes, spark plug and any adjustments. Repairs performed by nonauthorized servicing dealers/shops.
- Pickup and delivery costs.
- Carburetor replacement or cleaning causing run quality or starting issues after the first season of use.
- Failure to drain the fuel system after 30 days of non-use.
- Carburetor and run quality issues resulting from non-recommended fuels blends, such as more than 10% ethanol, 15% MTBE or lower than the recommended octane.
- Use of any motor oil viscosity not recommended by the engine manufacturer.

California Emission Control Warranty Statement

YOUR WARRANTY RIGHTS AND OBLIGATIONS

The California Air Resources Board, United States Environmental Protection Agency (US EPA), and Ariens Company are pleased to explain the emissions control system warranty on your 2018 and later small off-road engine (SORE). In California, new small off-road engines must be designed, built and equipped to meet the State's stringent anti-smog standards. Ariens Company must warrant the emission control system (EEC) on your small off-road engine for the periods of time listed below provided there has been no abuse, neglect or improper maintenance of your small off-road engine.

Your emission control system may include parts such as the carburetor or fuel tanks, fuel lines, fuel caps, valves, canisters, filters, vapor hoses, clamps, connectors, and other associated components.

MANUFACTURER'S WARRANTY COVERAGE

This emissions control system is warranted for two years. If any emissions-related part on your equipment is defective, the part will be repaired or replaced by Ariens Company provided there has been no abuse, neglect or improper maintenance of your small off-road engine.

OWNER'S WARRANTY RESPONSIBILITIES

As the small off-road engine owner, you are responsible for the performance of the required maintenance listed in your owner's manual. Ariens Company recommends that you retain all receipts covering maintenance on your small off-road engine, but Ariens Company cannot deny warranty solely for the lack of receipts or for your failure to ensure the performance of all scheduled maintenance.

As the small off-road engine owner, you should however be aware that Ariens Company may deny you warranty coverage if your small off-road engine or a part has failed due to abuse, neglect, improper maintenance or unapproved modifications.

You are responsible for presenting your small off-road engine to an Ariens Company distribution center as soon as a problem exists.

General Emissions Warranty Coverage

YOUR WARRANTY RIGHTS AND OBLIGATIONS

Ariens Company's application for certification warrants to the ultimate purchaser and each subsequent purchaser that the engine is:

- (1) Designed, built, and equipped so as to conform with all applicable regulations and,
- (2) Free from defects in materials and workmanship that cause the failure of a warranted part to be identical in all material respects to the part as described in the Ariens Company's application for certification.

WARRANTY PERIOD

The warranty period begins on the date the engine or equipment is delivered to an ultimate purchaser. The warranty period is two years.

WARRANTY COVERAGE FOR EMISSIONS-RELATED PARTS

Subject to certain conditions and exclusions as stated below, the warranty on emission-related parts is as follows:

- (1) Any warranted part that is not scheduled for replacement as required maintenance in the written instructions supplied is warranted for the warranty period stated above. If the part fails during the period of warranty coverage, the part will be repaired or replaced by Ariens Company according to subsection (4) below. Any such part repaired or replaced under the warranty will be warranted for the remaining warranty period.
- (2) Any warranted part that is scheduled only for regular inspection in the written instructions supplied is warranted for the warranty period stated above. Any such part repaired or replaced under warranty will be warranted for the remaining warranty period.
- (3) Any warranted part that is scheduled for replacement as required maintenance in the written instructions supplied is warranted for the period of time before the first scheduled replacement date for that part. If the part fails prior to the first scheduled replacement, the part will be repaired or replaced by Ariens Company according to (4) below. Any such part repaired or replaced under warranty will be warranted for the remainder of the period prior to the first scheduled replacement point for the part.
- (4) Repair or replacement of any warranted part under the warranty provisions herein will be performed at a warranty station at no charge to the owner.
- (5) Notwithstanding the provisions of herein, warranty services or repairs will be provided at all Ariens Company's distribution centers that are franchised to service the subject engines.
- (6) The owner will not be charged for diagnostic labor that is directly associated with diagnosis of a defective, emission-related warranty part, provided that such diagnostic work is performed at a warranty station.
- (7) Ariens Company is liable for damages to other engine components proximately caused by a failure under warranty of any warranted part.
- (8) Throughout the engine's warranty period defined above, Ariens Company will maintain a supply of warranted parts sufficient to meet the expected demand for such parts.
- (9) Any manufacturer approved replacement part(s) may be used in the performance of any warranty maintenance or repairs and will be provided without charge to the owner. Such use will not reduce the warranty obligations of Ariens Company.
- (10) Add-on or modified parts that are not exempted by the Air Resources Board may not be used. The use of any non-exempted add-on or modified parts by the ultimate purchaser will be grounds for disallowing a warranty claim. Ariens Company will not be liable to warrant failures of warranted parts caused by the use of such an add-on or modified part.

Warranted Parts

The repair or replacement of any warranted part otherwise eligible for warranty coverage may be excluded from such warranty coverage if Ariens Company demonstrates that the engine or equipment has been abused, neglected, or improperly maintained, and that such abuse, neglect, or improper maintenance was the direct cause of the need for repair or replacement of the part. That notwithstanding, any adjustment of a component that has a factory installed, and properly operating, adjustment limiting device is still eligible for warranty coverage. The following emission warranty parts lists are covered if factory installed:

- (1) Fuel Metering System
 - (i) Carburetor and internal parts (and/or pressure regulator or fuel injection system)
 - (ii) Air/fuel ratio feedback and control system
 - (iii) Cold start enrichment system
- (2) Air Induction System
 - (i) Controlled hot air intake system
 - (ii) Intake manifold
 - (iii) Air filter
- (3) Ignition System
 - (i) Spark plugs
 - (ii) Magneto or electronic ignition system
 - (iii) Spark advance/retard system
- (4) Exhaust Gas Recirculation (EGR) System
 - (i) EGR valve body, and carburetor spacer if applicable
 - (ii) EGR rate feedback and control system
- (5) Air Injection System
 - (i) Air pump or pulse valve
 - (ii) Valves affecting distribution of flow
 - (iii) Distribution manifold
- (6) Catalyst or Thermal Reactor System
 - (i) Catalytic converter
 - (ii) Thermal reactor
 - (iii) Exhaust manifold
- (7) Particulate Control Traps
 - (i) Filters, precipitators, and any other device used to capture particulate emissions
- (8) Miscellaneous Items Used in Above Systems
 - (i) Vacuum, temperature, and time sensitive valves and switches
 - (ii) Electronic controls
 - (iii) Hoses, belts, connectors, and assemblies
- (9) Evaporative Emissions Components
 - (i) Fuel Line
 - (ii) Fuel Line Clamps
 - (iii) Fuel Tank and Fuel Cap
 - (iv) Carbon Canister and connecting parts
 - (v) ROV

If you have any questions regarding your warranty rights and responsibilities, you should contact:

Ariens Company
655 West Ryan Street
Brillion, WI 54110
www.ariens.com | engines@ariens.com

Parts and Service Contact Information



For parts and service of Ariens Engines throughout Europe, please contact:

EuroGarden nv/sa
Sint-Truidensesteenweg 252 - 3300 Tienen - Belgium
Phone: 00 32 16 80 54 24
E-mail: info@eurogarden.be
Fax: 00 32 16 80 54 38

Ariens Equipment Distributors:

AUSTRIA

Hochfilzer Forst-Garten-Umwelt GmbH & Co
Phone: 011-43-5338-84050
Fax: 011-43-5338-8405-32
011-43-5338-8405-33
Email: info@hochfilzer.com
ronald.hrneck@hochfilzer.com
Website: www.hochfilzer.com

BELGIUM

S.A. Maternaco N.V.
Phone: 011-32-816-27-500
011-32-2-727-0382 (Wils)
Fax: 011-32-227-27-0363
011-32-2-705-7855
Email: info@maternaco.be
wils@maternaco.be

CZECH REPUBLIC

Mountfield A.S.
Phone: 420-255-7042-61
Fax: 420-72-40-16-291
Email: marek.david@mountfield.cz
Website: http://www.mountfield.cz

DENMARK

Scan-Motor A/S
Phone: 011-458-652-1255
Fax: 011-458-652-4955
Email: bk@scan-motor.dk
Website: www.scan-motor.dk

FINLAND

Oy Elfving Ab
Phone: 011-358-9-870-87832
Fax: 011-358-9-870-87803
Email: kim.holmstrom@elfving.fi

FRANCE

Ets P.P.K.
Phone: 011-33-1-34-11-50-50
011-33-1-34-11-50-51 (Philippe)
Fax: 011-33-1-39-81-68-58
Email: ppk@ppk.fr
phil.klomp@ppk.fr (Philippe)
Website: www.ppk.fr

HOLLAND

S.A. Maternaco N.V.
Phone: 011-32-2-727-0360 (central)
011-32-2-727-0382 (Wils)
Fax: 011-32-2-727-0363
011-32-2-705-7855
Email: info@maternaco.be
wils@maternaco.be
Website: www.maternaco.be

REPUBLIC OF IRELAND

John Atkins & Co Ltd
T/A Atkins McKenzies Grass Machine
Phone: 011-353-21-454-2811
Fax: 011-353-21-454-2864
Email: mark.wolfe@atkins.ie
Website: http://www.atkins.ie

HELTHUIS TUIN EN PARKMACHINES

Helthuis Tuin En Parkmachines
Phone: 011-312-647-23464
Fax: 011-312-647-22722
Email: helthuis@helthuis.Com

NORTHERN IRELAND

Irish Farm & Garden Machinery Ltd
Phone: 011-353-1-846-3922
Fax: 011-353-1-846-1321
Email: paul@fgm.uk.net

ITALY

Ditta Sivini Mario
Phone: 011-390-30-3760-333
Fax: 011-390-30-3366-093
Email: info@sidan.it
Website: www.sidan.i

NORWAY

Sovde A/S
Phone: 011- 47-69-264 750
Fax: 011-47-69-26-01-47
Email: info@sovde.no
Website: www.sovde.no

POLAND

AMA Poland SP. Z .O.O.
Phone: 011-48-22-7697-661
Email: dariusz.kijoch@amapoland.pl
info@amapoland.pl
Website: www.amapoland.pl

RUSSIA

Sprint-M
Phone: 011-7-095-739-4826
Fax: 011-7-095-739-4827
Email: info@sprint-m.ru
Website: www.sprint-m.ru

SPAIN

Comercial de Suministros, S.L.
Phone: 011-34-94453-1011
Fax: 011-34-94471-1273
Email: borja@suminis.com
Website: www.suminis.com

TURKEY

Mapas Hirdavatcilik Ithalat V
Phone: 011-90-216-576-9072
Fax: 011-90-216-576-8206
Email: Victor.mori@mapas.com.tr

UNITED KINGDOM

Farm & Garden Machinery
Phone: 011-44-1480-450-909
Fax: 011-44-1244-674-499
Email: paul@fgm.uk.net
Website: www.fgm.uk.net

Parts Depot (Groundscare) LTD

Phone: 011-44-1282-860444
Fax: 011-44- 1282-860555
Email: chris@ggmgroundscare.co.uk
Website: www.ggmgroundscare.com

USCHOVEJTE TUTO PŘÍRUČKU PRO PŘÍPAD POZDĚJŠÍ POTŘEBY .

ARIENS SNĚHOVÝ MOTOR

136cc / 179cc / 208cc / 254cc / 291cc / 306cc / 369cc / 414cc SÉRIE

POUŽITÍ POUZE ZA CHLADNÉHO POČASÍ

Uživatelská Příručka

EU

Tento zážehový systém odpovídá kanadskému standartu ICES-002 (2/NMB-2).



RIZIKO VDECHOVÁNÍ OXIDU DUSÍKU

NIKDY nepoužívejte motor uvnitř domu, v garáži, sklepě nebo podobných uzavřených místech. Jedovaté plyny, které mohou být nebezpečné, by se mohly hromadit na těchto uzavřených místech. Použití větráku nebo otevření oken nebo dveří nezaručuje dostatek čerstvého vzduchu.



Výfukové plyny obsahují oxidy dusíku – jedovaté plyny, které mohou být zdraví škodlivé nebo smrtelné. Tyto plyny **NENÍ** možné CÍTIT nebo VIDĚT.

Použijte detektor oxidu dusíku při použití běžícího motoru.

Pokud cítíte závratě, dělá se vám nevolno nebo jste celkově slabý a unavený při běhu motoru, okamžitě jej vypněte a běžte hned na ČERSTVÝ VZDUCH. Navštivte doktora. Můžete mít otravu oxidem dusíku.

! POZOR

Použití motoru nebo jeho aplikace uvnitř VÁS MŮŽE ZABÍT BĚHEM PÁR MINUT.
Výfukové plyny obsahují oxidy dusíku, jedovatý plyn, který není vidět ani cítit.

 <p style="text-align: center;">NIKDY nepoužívejte doma nebo v uzavřených místech jako je např. garáž.</p>	 <p style="text-align: center;">POUZE venku a při zavřených oknech a dveřích aručí bezpečné použití.</p>
---	--

Předejděte dalším zraněním a nebezpečím.
PŘED POUŽITÍM SI PŘEČTĚTE PŘÍRUČKU.

Obsah

Úvod	2
Bezpečnost Motoru a Symboly	2
Bezpečnost Motoru	3
Ovládací Prvky & Vlastnosti	4
Před Provozem	5
Obsluha - START /STOP Prepínac	6
Obsluha - Spínač Chodu/Zastavení S Klíčkem	7
Obsluha	8
Údržba Vašeho Motoru	8-11
Užitečné Rady & Tipy	12-13
Technické & Zákaznické Informace	13
Záruka Kontroly Emisních Systémů	14
Záruční Informace	15
Záruční Prohlášení Kalifornské Kontroly Emisí	15
Rozsah Pokrytí Záruky	16
Záruka Součástí	16
Informace o Součástkách a Kontakty Servisu	17

Úvod

Při použití motoru by Vaše bezpečnost a bezpečnost okolí měla být Vaše nejvyšší prioritou

K zaručení bezpečnosti a správné informovanosti jsme pro vás připravili ovládací postupy a další důležité informace a bezpečnostní štítky na zařízení v tomto manuálu. Tyto informace vás varují před potenciálním nebezpečím, které by vás nebo vaše okolí mohlo poranit

Buďte prosím uvědomělí při použití tohoto motoru. Připravili jsme důležité bezpečnostní informace ve více formách jako například:

- Bezpečnostní štítky umístěné na motoru
- Bezpečnostní vzkazy: těm předcházejí upozorňující symboly a jedno z těchto tří slov, NEBEZPEČÍ, VAROVÁNÍ, nebo POZOR. Tyto bezpečnostní symboly znamenají



Pokud nebudete dodržovat instrukce, ZPŮSOBÍ vám to VÁŽNÁ ZRANĚNÍ nebo SMRT.



Pokud nebudete dodržovat instrukce, ZPŮSOBÍ vám to VÁŽNÁ ZRANĚNÍ nebo SMRT.



Pokud nebudete dodržovat instrukce, ZPŮSOBÍ vám to VÁŽNÁ ZRANĚNÍ nebo POŠKŮZENÍ ZAŘÍZENÍ.

- Bezpečnostní nadpisy jako třeba DŮLEŽITÉ BEZPEČNOSTNÍ POKYNY.
- Bezpečnostní odstavce jako třeba BEZPEČNOST MOTORU.
- Pokyny, Instrukce: Jak používat tento motor bezpečně a správně

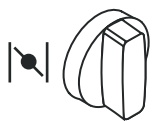
Podrobně si přečtěte a prohlédněte tuto příručku abyste zajistili vaši bezpečnost a správné použití motoru a abyste maximálně využili jeho vlastnosti.

Bezpečnost Motoru a Symboly



DŮLEŽITÉ BEZPEČNOSTNÍ SYMBOLY

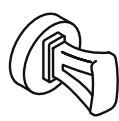
Níže uvedené symboly jsou důležité bezpečnostní symboly použité v tomto manuálu. Seznamte se s nimi, protože jsou důležité pro zaručení bezpečnosti a správného použití motoru



Škrtkový ventil



Přívod paliva



Klíčový přepínač



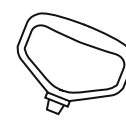
START /STOP přepínač



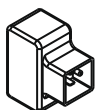
Spínač chodu/zastavení s klíčkem



Palivová pumpička



Ruční táhlo



Zásuvka Elektrického adaptéru



Startovací tlačítko



Pozice ventilu



Šok



Horký povrch



STOP



Primár



Vložení klíče

Bezpečnost Motoru

VAROVÁNÍ

DŮLEŽITÉ BEZPEČNOSTNÍ POKYNY

Nehody jsou méně časté pokud jsou dodržovány pokyny, uživatel je plně při vědomí a motor je řádně udržován. Některé z nejčastějších nebezpečí jsou popsána níže spolu s nejlepší možnou ochranou k jejich předejití.

- Tento motor je určen pouze k použití při CHLADNÉM POČASÍ.
- Uzavření přípodu paliva je doporučeno při delším uskladnění.

Odpovědnosti majitele a uživatele

Majitel a uživatel by se měli řídit těmito doporučeními:

- Důkladně si pročíst bezpečnostní příručku.
- Pozorně dodržovat pokyny v příručce.
- Zažít se všech ovladačů a naučit se motor rychle vypnout v případě nebezpečí.
- Zamezte přístupu dětem k motoru a jeho manipulací. Zamezte přístupu dětí a zvířat do blízkosti motoru.
- Používejte tento motor v dobře odvětrávaných místech. NIKDY nepouštějte motor vevnitř.

Doplňování paliva

Benzín je extrémně hořlavý a benzínové výpary jsou výbušné. Při doplňování paliva se řiďte následujícími pokyny.

- Doplnujte pouze pokud je motor vychladnutý.
- Doplnujte venku v dobře odvětrávaných prostorech.
- Motor by neměl běžet.
- Ujistěte se, že je motor uzemněn k předejití elektrického výboje.
- Nekuřte nebo netelefonujte během doplňování paliva.
- Držte se dál od plamenů nebo výbojů.
- Pokud se objeví skvrny, ujistěte se že jsou všechna místa suchá a plyny odvětrané před nastartováním motoru.

Výfuk

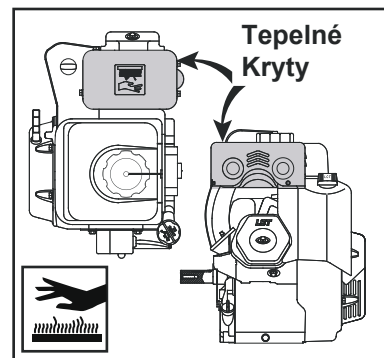
NEBEZPEČÍ

NEBEZPEČÍ OXIDU DUSÍKU:

Výfukové plyny jsou nebezpečné protože jsou horké a obsahují oxidy dusíku – jedovaté zplodiny. Předejděte inhalaci výfukových plynů. Vždy pouštějte motor na dobře odvětrávaných místech. Nikdy nespouštějte motor uvnitř.

Tepelný Kryt

- Sněhový motor je vybaven tepelným krytem který je navržen aby motor pracoval v chladných podmínkách (viz startovací postup pro správné nastavení škrtícího ventilu při startu motoru). Tepelný kryt a jeho součásti jsou horké. Ujistěte se, že motor měl dostatek času na vychladnutí před dotykem nebo prováděním úprav uvnitř krytu. Pro bližší informace viz část Údržba.
- K zabránění požáru a pro dostatečné odvětrání umístěte motor nejméně + metr od zdi nebo jiných zařízení. Neumisťujte hořlavé objekty blízko k motoru.



Jiná opatření

Prostudujte další dodatečné instrukce určené pro tento motor k zajištění další bezpečnosti spojené se startem motoru, jeho vypnutím, ovládáním nebo bezpečnostnímu běhu motoru který může být užitečný při manipulaci a obsluze motoru.

VAROVÁNÍ



**Nedotýkejte se částí motoru (viz obrázek).
Horká místa motoru mohou způsobit vážné popáleniny.**

Ovládací Prvky & Vlastnosti

Ovládací prvky

1. Ovládání škrťacího ventilu

Ovládání škrťacího ventilu otevírá a zavírá tlumící ventilek v karburátoru. Při pozici "START" nevstříkovaná směs více obohacována. Což umožňuje lepší start studeného motoru. Pozice "RUN" zaručuje správnou směs při vstříkovaní po zahřátí motoru. Nikdy nepoužívejte škrťací ventil k vypnutí motoru.

2. Motorový kolébkový přepínač RUN/STOP

Motorový přepínač/vypínač zapíná nebo vypíná zapalovací systém. Otočte přepínačem do pozice RUN k nastartování motoru. Otočte přepínačem do pozice STOP k vypnutí motoru.

3. Páčka ovládání paliva

Páčka ovládání paliva otevírá a zavírá přívod paliva mezi nádrží a karburátorem. Páčka musí být v poloze „ON“ pro správný běh motoru. Pokud není motor používán, ujistěte se, že je páčka přirpnuta do polohy „OFF“.

4. Bezpečnostní Vypínač

Bezpečnostní vypínač zjišťuje elektrický systém a musí být uvedený do provozu před startem motoru.

5. Primární pumpička

Systém primární pumpičky je navržen pro dosažení dostatečné směsi paliva před startem studeného motoru. NEPŘESYŤTE palivový systém. Ke správnému použití primární pumpičky stlačte membránku maximálně 3 před startem studeného motoru. Nepoužívejte pumpičku pokud chcete nastartovat už zahřátý motor.

6. Navíjecí ruční táhlo/startér

Motor se startuje zatažením ručního táhla. Vždy jej uchopte pořádně a stoupněte si tak, aby jste kolem sebe měli prostor pro zatáhnutí. Při startu motoru:

- Pomalu zatáhněte táhlem až ucítí odpor.
- Potom pořádně zatáhněte za táhlo až do jeho konce k nastartování motoru.
- Nikdy neomotávejte prsty kolem táhla z možnosti zpětného rázu motoru.

7. Zvětšené víčko palivové nádrže

Dovoluje snadnější otevírání a zavírání pro efektivnější doplňování paliva.

8. Elektrický Start (Je li instalován)

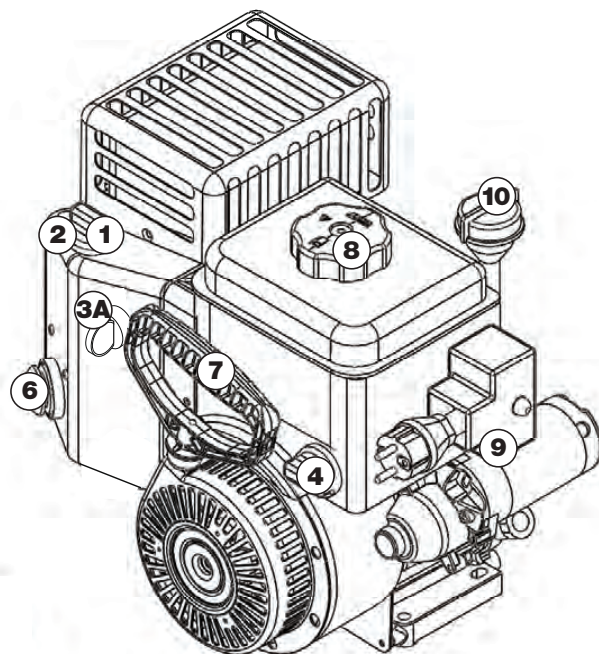
Používá se k nastartování motoru pomocí 120VAC síťovým kabelem. Vždy použijte správný kabel k předejítí poškození elektrického systému startu.

9. Vysoká trubička pro plnění oleje

Umožňuje doplnění oleje během chodu motoru. Kontrolujte hladinu oleje a při poklesu hladiny pod stanovenou míru postupujte podle příručky.

10. Spínač chodu/zastavení s klíčkem

Spínač chodu/zastavení s klíčkem aktivuje a deaktivuje zapalování. Otočení klíčku spínače do polohy chodu umožní nastartovat motor a nechat jej běžet. Otočením klíčku do polohy zastavení se motor zastaví. Z bezpečnostních důvodů klíček vyjmějte, aby nemohlo dojít k obsluze bez dozoru.



Před Provozem

PŘED-PROVOZNÍ KONTROLY

Pro Vaši bezpečnost a pro maximalizování životnosti vašeho zařízení je velmi důležité věnovat chvíli kontrole stavu vašeho zařízení před jeho spuštěním. Zajistěte vyřešení každého problému který objevíte, nebo informujte svého servisního dealera před uvedením zařízení do provozu.

VAROVÁNÍ

Nesprávné udržování tohoto motoru nebo nesprávné opravení závady před provozem může způsobit poškození motoru, které I vám mohou způsobit vážný zdravotní úraz. Vždy provádějte neprovozní kontrolu před každým spuštěním motoru a odstraňte všechny nalezené závady.

Pře prováděním před-provozních kontrol se ujistěte že je motor vyrovnaný a motorový přepínač je na pozici STOP.

Zkontrolujte obecný stav motoru

- Odstraňte všechnu špínu a nečistoty, obzvláště kolem tepelného krytu, navíjecího startéru a kuželovitých klapek.
- Zjistěte známky poškození nebo únik oleje.
- Ujistěte se, že všechny kryty jsou na svém místě. Všechny čepy, matky a šrouby musí být dotažené.

Zkontrolujte motor

• Zkontrolujte hladinu oleje. Běh motoru se sníženou hladinou oleje nebo nesprávným olejem může způsobit poškození motoru. Abyste předešli potížím z nečekaných vypnutí motoru, vždy zkontrolujte hladinu oleje před startem. Motor může být dodáván s i bez oleje. Doporučuje se typ oleje 5W-30 pro běžné použití. Syntetický olej je přijatelná alternativa (viz Hladina motorového oleje v obsahu pro správné dodržení jeho hladiny).

• Zkontrolujte hladinu paliva před startem. Nejprve musí být však motor studený, než začnete palivo doplňovat. Start s plnou nádrží zamezí přerušení běhu motoru kvůli doplnění paliva.

Elektrický Start

- Zjistěte k jakému typu síťového napájení budete zdroj připojovat. Pokud je startér vybaven 230V AC elektrickými požadavky, ujistěte se, že vaše domácí síť odpovídá požadavkům. Pro evropské přístroje s 230V AC, použijte vhodný uzemněný napájecí zdroj. Elektrický startér pro evropské použití je typ CEE7- 230V.
- Zjistěte, zda váš zdroj má proudový chránič (GFI) na všech třech fázích konzultováním s licencovaným elektrikářem. Pokud váš zdroj nemá třífázový proudový chránič GFI, NEPOUŽÍVEJTE ELEKTRICKÝ STARTÉR kvůli nebezpečným podmínkám.

Zkontrolujte všechna zařízení napájená tímto motorem.

Zkontrolujte všechny instrukce poskytované spolu s dodávaným zařízením k zajištění všech potřebných procesů které by měly být provedeny před startem motoru.

BEZPEČNOSTNÍ VAROVÁNÍ

Zkontrolujte instrukce poskytované spolu s dodávaným zařízením k zajištění všech důležitých procesů, které souvisí především se startem, vypnutím a ovládním motoru.

VAROVÁNÍ

Tento motor je navržen pouze pro CHLADNÉ POČASÍ.

VAROVÁNÍ

Oxidy dusíku jsou toxické. Jejich vdechování může způsobit bezvědomí nebo smrt. Vyhněte se všem místům nebo úkonům které Vás vystaví kontaktu s oxidy dusíku.

VAROVÁNÍ

NEPOKLÁDEJTE ruce na nebo poblíž systému výfukových plynů během startu motoru.

Obsluha - START /STOP Prepínac

PŘED ZAPNUTÍM MOTORU (obr. 1)

Před zapnutím motoru se pečlivě seznamte s následujícími body:

- Umožněte motoru, aby se zahřál alespoň po dobu 30 vteřin než otočíte páčku do pozice Run.
- Pokud dojde k nestejným otáčkám při otočení páčky do pozice Run:
 1. Otočte páčku mezi polohu Start a Run abyste umožnili motoru zahřátí na provozní teplotu.
 2. Poté co se motor zahřál, otočte páčku opět do pozice Run.

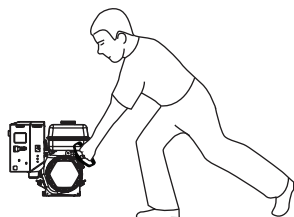
STARTOVÁNÍ MOTORU (MANUÁLNÍ START) (obr. 1)

1. Otočte škrtkový ventil do pozice START.
2. Přepněte na RUN na Run/Stop přepínači.
3. Otočte páčku přívodu paliva na pozici ON.
4. Vložte bezpečnostní klíč. Vložte bezpečnostní klíč do zdířky (NEOTÁČEJTE TÍMTO KLÍČEM). Ujistěte se, že ucítíte „klapnutí“ až je klíč úplně zastrčen.
5. Vstříkovací systém: maximálně vstříknout 3. NEPEPIJTE vstříkovací systém. Ujistěte se, že je přikryt výfuk před stlačením membrány. Držte membránu stlačenou po dobu asi jedné sekundy pokaždé když ji stisknete. Opakujte celkem třikrát.
6. Pořádně uchopte ruční táhlo. Postavte se tak, abyste měli kolem sebe dostatek prostoru. Zatáhněte pomalu, dokud neucítíte odpor a potom poádne zatáhněte až na konec lanka. NESTŮJTE moc daleko od motoru nebo nepřepínejte táhlo. Tímto by mohlo dojít k poškození táhla.

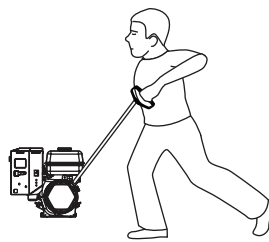
PROCES STARTU MOTORU



1. Pořádně uchopte táhlo.



2. Postavte se tak , abyste byli blízko motoru.



3. Zatáhněte jemně dokud neucítíte odpor , potom zatáhněte pořádně a rychle.



VAROVÁNÍ

Nestůjte daleko od motoru. Tímto by mohlo dojít k poškození táhla

STARTOVÁNÍ MOTORU (ELEKTRICKÝ START) (obr. 1)

Postupujte podle kroků 1-5 pro manuální start motoru.

6A. Použijte 3-drátový kabel a nejprve ho zastrčte do adaptéru pro starter. Potom zastrčte kabel do sítě. Použijte dostatečně velký kabel (10AWG nebo delší) k předejití poškození elektrického startéru.

7. Stiskněte a držte tlačítko startéru.

POZOR

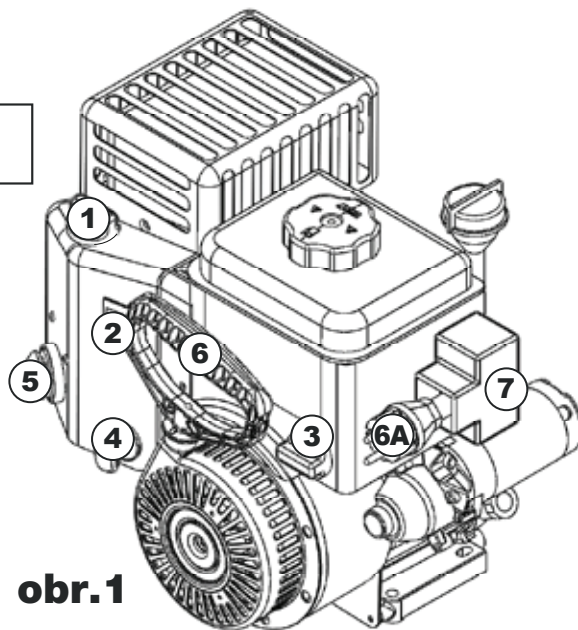
Nedržte stisknutý startér tlačítka déle než 5 vteřin. Počkejte minimálně 1 minutu ped opakováním nepovedeného startu.

⚠ **DŮLEŽITÉ:** Poté co zapnete motor, vypněte startovací adaptér.

VAROVÁNÍ



Pokud je potřeba dodatečný kabel, ujistěte se, že jde o třídrátový kabel. Neprodlužujte kabel bez dohledu odpovědného pracoviště. Vždy používejte prodloužení stejné nebo větší než je AWG.



obr. 1

Obsluha - Spínač Chodu/Zastavení S Klíčkem

PŘED ZAPNUTÍM MOTORU (obr. 1)

Před zapnutím motoru se pečlivě seznamte s následujícími body:

- Umožněte motoru, aby se zahřál alespoň po dobu 30 vteřin než otočíte páčku do pozice Run.
- Pokud dojde k nestejným otáčkám při otočení páčky do pozice Run:
 1. Otočte páčku mezi polohu Start a Run abyste umožnili motoru zahřátí na provozní teplotu.
 2. Poté co se motor zahřál, otočte páčku opět do pozice Run.

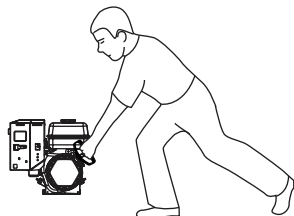
STARTOVÁNÍ MOTORU (MANUÁLNÍ START) (obr. 1)

1. Otočte škrtkový ventil do pozice START.
2. Vložte klíček do spínače chodu/zastavení a otočte jím doprava do polohy chodu.
3. Otočte páčku přívodu paliva na pozici ON.
4. Systém plnění: Maximálně 3 plnění. Systém NEPŘEPLŇUJTE. Před stlačením sytiče zakryjte ventilační otvor. Při každém stisknutí nechte balónek sytiče stlačený jednu sekundu a mezi jednotlivými plněními jej zcela uvolněte. Opakujte celkem 3krát.
5. Pořádně uchopte ruční táhlo. Postavte se tak, abyste měli kolem sebe dostatek prostoru. Zatáhněte pomalu, dokud neucítíte odpor a potom poádne zatáhněte až na konec lanka. NESTŮJTE moc daleko od motoru nebo nepřepínáte táhlo. Tímto by mohlo dojít k poškození táhla.

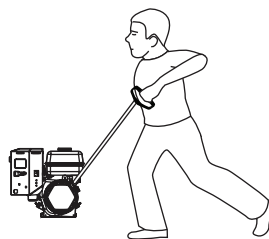
PROCES STARTU MOTORU



1. Pořádně uchopte táhlo.



2. Postavte se tak , abyste byli blízko motoru.



3. Zatáhněte jemně dokud neucítíte odpor , potom zatáhněte pořádně a rychle.



VAROVÁNÍ

Nestůjte daleko od motoru. Tímto by mohlo dojít k poškození táhla

STARTOVÁNÍ MOTORU (ELEKTRICKÝ START) (obr. 1)

Postupujte podle kroků 1-4 pro manuální start motoru.

- 5A. Použijte 3-drátový kabel a nejprve ho zastrčte do adaptéru pro starter. Potom zastrčte kabel do sítě. Použijte dostatečně velký kabel (10AWG nebo delší) k předejití poškození elektrického startéru.
6. Stiskněte a držte tlačítko startéru.

POZOR

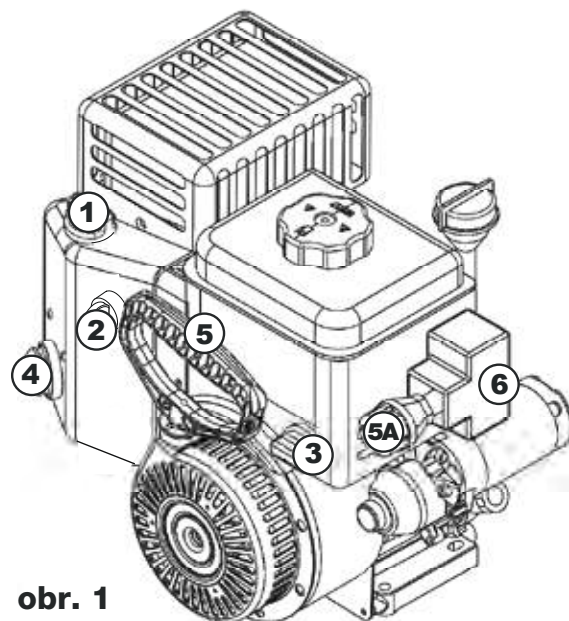
Nedržte stisknutý startér tlačítka déle než 5 vteřin. Počkejte minimálně 1 minutu ped opakováním nepovedeného startu.

⚠ **DŮLEŽITÉ:** Poté co zapnete motor, vypněte startovací adaptér.

VAROVÁNÍ



Pokud je potřeba dodatečný kabel, ujistěte se, že jde o třídrátový kabel. Neprodlužujte kabel bez dohledu odpovědného pracoviště. Vždy používejte prodloužení stejné nebo větší než je AWG.



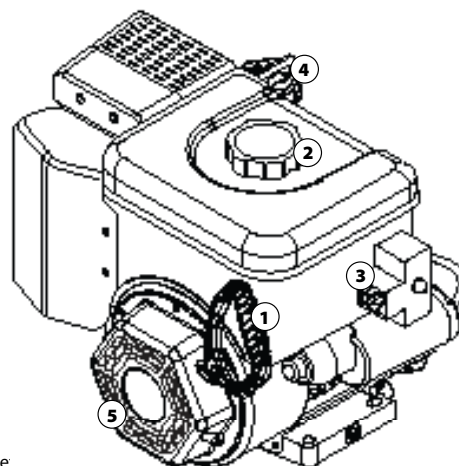
obr. 1

Příloha k návodu k obsluze motoru Ariens EFI

⚠ **DŮLEŽITÉ:** Všechny ostatní pokyny naleznete v hlavní příručce.

OVĽADÁNÍ

- 1. Velká rukojeť spouštěče:** Velká rukojeť lanka spouštěče je specificky určena pro použití v silných zimních rukavicích nebo palcových rukavicích.
- 2. Velká krytka palivové nádrže:** Umožňuje snadné otevírání a zavírání a jednoduché doplňování paliva.
- 3. Elektrické spouštění:** Funkce se používá ke spuštění motoru pomocí prodlužovacího kabelu 120 V AC. Vždy používejte správně dimenzovaný prodlužovací kabel, abyste zabránili poškození elektrického spouštěče.
- 4. Vysoko umístěná trubice plnění oleje:** Díky snadno přístupnému umístění umožňuje jednoduché plnění oleje během jeho výměny. Kontrolujte hladinu oleje podle pokynů v uživatelské příručce.
- 5. Vypouštění oleje:** Vypouštěcí otvor je předsazen z těla spouštěče, aby umožnil snadný přístup.



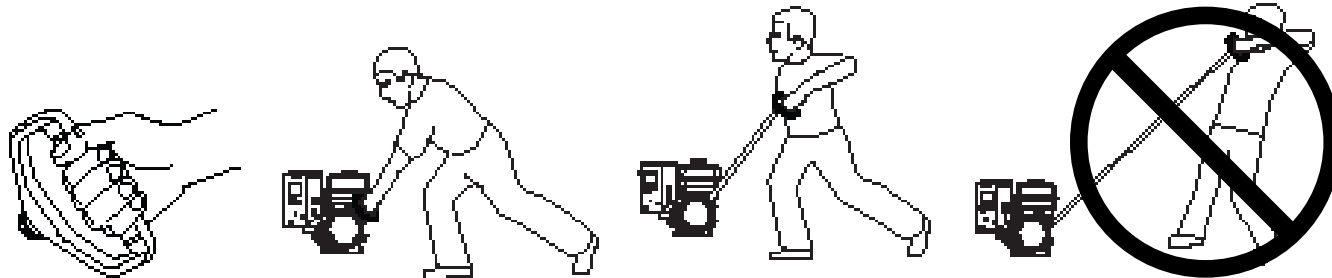
PŘED SPOUŠTĚNÍM MOTORU

Před spuštěním motoru zkontrolujte hladinu motorového oleje.

SPOUŠTĚNÍ MOTORU (RUČNÍ SPOUŠTĚNÍ)

- Zasuňte klíč (viz příručka Ariens, kde naleznete umístění a další pokyny).
- Pevně uchopte rukojeť lanka. Postavte se tak, abyste byli v blízkosti motoru. Pomalu tahejte, až ucítíte odpor, pak pevně a rychle zatáhněte za lanko a spusťte motor; aniž by došlo ke zpětnému rázu. NESTŮJTE příliš daleko od motoru, ani rukojeť lanka nevytahujte příliš. Mohlo by dojít k poškození lankového spouštěče.

POSTUP SPOUŠTĚNÍ



1. Pevně uchopte rukojeť lanka spouštěče.

2. Postavte se tak, abyste byli v blízkosti motoru.

3. POMALU TAHEJTE, AŽ UCÍTÍTE ODPOR, pak pevně a rychle zatáhněte za lanko a spusťte motor; aniž by došlo ke zpětnému rázu.

⚠ VÝSTRAHA

Nestůjte příliš daleko od motoru, ani rukojeť lanka nevytahujte příliš. Mohlo by dojít k poškození lankového spouštěče.

SPOUŠTĚNÍ MOTORU (ELEKTRICKÉ SPOUŠTĚNÍ) (obrázek 1)

- Zasuňte klíč (viz příručka Ariens, kde naleznete umístění a další pokyny).
- Použijte tří vodičový prodlužovací kabel a nejprve připojte zástrčku do adaptéru motoru spouštěče. (1) Připojte prodlužovací kabel do síťové zásuvky. Použijte vhodně dimenzovaný prodlužovací kabel (minimálně velikost AWG 16, 3 vodiče, 13 A, maximálně 25 stop, vhodný pro venkovní použití), abyste zabránili poškození elektrického spouštěče.
- Stiskněte a podržte tlačítko spouštěče (2). ⚠ **DŮLEŽITÉ:** Po spuštění motoru odpojte kabel od adaptéru spouštěče.

⚠ UPOZORNĚNÍ

Nedržte tlačítko elektrického spouštěče déle než 5 sekund. Vyčkejte alespoň 1 minutu, než se pokusíte o další spuštění motoru.

⚠ VÝSTRAHA



Pokud musíte použít prodlužovací kabel, ujistěte se, že se jedná o tří vodičový kabel. Používejte prodlužovací kabel se stejným rozměrem vodičů AWG nebo větším, než je uvedeno výše.

PLÁN ÚDRŽBY

Normální provozní podmínky

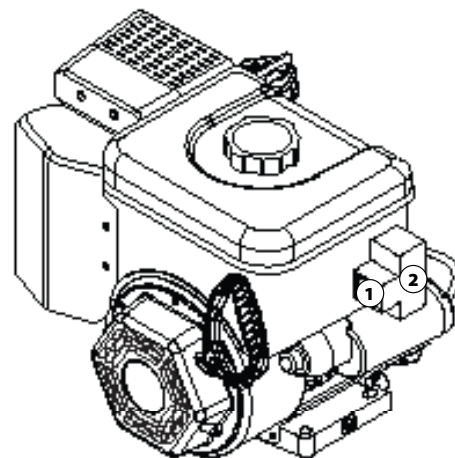
(méně než 40 hodin ročně)

	KAŽDÉ POUŽITÍ	PRVNÍ MĚSÍC	KAŽDÝCH 6 MĚSÍCŮ	JEDNOU ROČNĚ
Palivový filtr				Výměna

Extrémní provozní podmínky

(více než 40 hodin ročně)

	KAŽDÉ POUŽITÍ	PRVNÍ MĚSÍC	KAŽDÝCH 6 MĚSÍCŮ	JEDNOU ROČNĚ
Palivový filtr				Výměna



Obrázek 1

⚠ UPOZORNĚNÍ

Za extrémních provozních podmínek je dodržování správné údržby velmi důležité.

Obsluha

ZASTAVENÍ MOTORU (fig. 2)

START /STOP Prepínac

V případě nouze zastavte motor:

1. Přepněte kolébkový spínač do pozice STOP nebo
2. Zatáhněte za bezpečnostní klíč motoru.

Při běžných podmínkách použijte následující postup:

1. Přepněte kolébkový spínač do pozice STOP.
2. Zatáhněte za bezpečnostní klíč motoru a uchovejte na bezpečném místě pro budoucí použití.

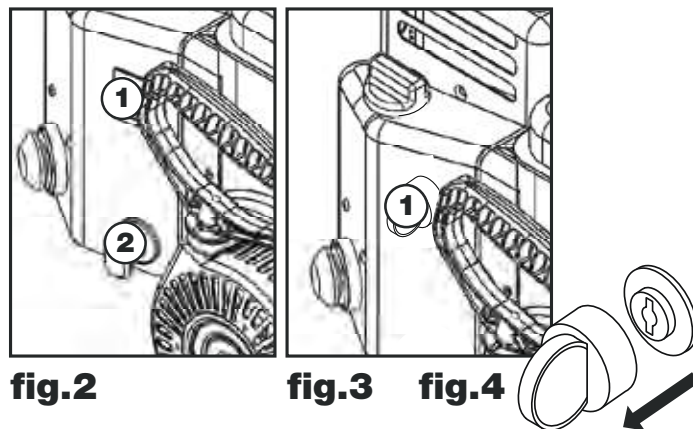


fig.2

fig.3

fig.4

ZASTAVENÍ MOTORU (fig. 3, 4)

Spínač Chodu/ Zastavení s Klíčkem

1. Otočte klíčkem spínače chodu/zastavení doleva do polohy zastavení.
2. Vyměňte klíček z motoru a uložte jej na bezpečné místo pro budoucí použití.

Údržba Vašeho Motoru

DŮLEŽITOST ÚDRŽBY

Chraňte sebe a Vaše zařízení řádnou údržbou Vašeho motoru.

Řádná údržba motoru je důležitá pro bezpečnost, ekonomickou a bezproblémovou činnost.

VAROVÁNÍ

Nevhodná údržba tohoto motoru nebo zanedbání opravy problému před činností, může způsobit nesprávný chod zařízení a následně vážné poranění či zabití. Dodržujte vždy kontrolu, důležitost doporučení a praktické návody uvedené ve Vašem vlastním manuálu.

K provádění základních a snadných oprav slouží následující stránky, které popisují rutinní postupy a snadné operace, které jsou zvládnutelné použitím základního ručního nářadí. Servisní úkoly, které vyžadují větší zákroky a zásahy do zařízení by měli být prováděny servisním technikem nebo kvalifikovaným mechanikem.

▲ Poznámka

Viz plán oprav pro rozdíl mezi normální a extrémní operací.

BEZPEČNOSTNÍ PŘEDPISY ÚDRŽBY

Tento manuál obsahuje velmi důležitá bezpečnostní opatření. Nicméně, nemůžeme Vás varovat před všemi možnými případy, kdy může vzniknout nebezpečí. Musíte se rozhodnout, zda-li můžete vykonávat dané úkoly a vždy být opatrní.

Bezpečnostní opatření

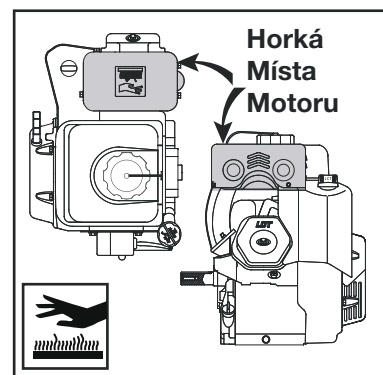
- Ujistěte se, že je motor VYPNUTÝ, krytka zapalovací svíčky je odstraněna, motoru a motor je vychlazený před zahájením údržby nebo opravy. To je prevence před potenciálními nebezpečími jako např.:

Nebezpečí otravy oxidem dusíku ze zplodin motoru. Pouštějte motor v dobře odvětrávaných místech.

Popáleniny od horkých míst. Nechte motor a výfukový systém vychladnout před jejich dotýkáním. (viz obrázek napravo)

Zrnění od pohyblivých částí. Nepouštějte motor pokud nesplňujete bezpečnostní pokyny.

- Předtím než začnete s údržbou, přečtete si všechny instrukce a ujistěte se, že máte požadované schopnosti a nástroje.
- Ke snížení možnosti vzniku exploze, buďte opatrní při práci s benzínem. Používejte pouze nehořlaví čistič, ne benzin, k čištění součástek. Udržujte cigarety, kryty a plameny daleko od částí, které jsou v kontaktu s benzínem.
- Doporučuje se, aby byl hasicí přístroj blízko v době, když provádíte údržbu. Váš zprostředkovatel údržby a obchodník zná Váš motor nejlépe a má vybavení potřebné k údržbě a opravě.



Údržba Vašeho Motoru

TANKOVÁNÍ

Po zastavení a vychladnutí motoru odstraňte uzávěrku palivové nádržky a zkontrolujte stav paliva. Pokud je hladina paliva nízká, doplňte ho. Ponechte v nádrži dostatek místa kvůli rozpínání paliva horkem. To zabrání vytoku paliva na horký povrch motoru. **NIKDY NEDOPLŇUJTE JINOU NEŽ DOPORUČENOU ZNAČKOU PALIVA.**

⚠ VAROVÁNÍ

Benzín je vysoce hořlavý a výbušný. Při manipulaci s palivem se můžete popálit nebo těžce zranit.

- Zastavte motor a vyhýbejte se jiskrám a ohni.
- S palivem manipulujte pouze venku.
- Pokud se palivo rozteče, ihned ho vytřete.
- Před tankováním musí být motor vychladlý.

Tankujte na dobře větraném místě a motor musí být VYPNUTÝ a vychladlý. Vyvarujte se vytečení paliva. **NEPŘEKROČTE** označený palivový filtr. Palivová uzávěrka by měla vydávat „klikající“ zvuk v případě, že je pořádně utažená.

Po natankování pečlivě utáhněte uzávěrku tankovací nádržky. Tankujte na řádně větraném místě a zdržujte se míst, kde by mohlo palivo vzplanout. Vyhýbejte se kontaktu paliva se zařízeními zapalovacích hořáčků, grilů, elektrických zařízení, napájecích nástrojů a jiných elektrických zařízení.

Rozlitím paliva hrozí nebezpečí požáru a způsobuje poškození životního prostředí. Rozlité palivo ihned vytřete. Při tankování nepoužívejte telefon ani jiná elektrická zařízení. Při tankování předcházejte statické elektřině. Palivo může poničit nátěr a plast. Nerozliďte palivo během jeho doplňování do nádrže. Poškození způsobená rozlitým palivem nejsou zahrnuta pod zárukou.

PALIVOVÁ DOPORUČENÍ

Používejte pouze bezolovnatý benzín s oktavoým číslem 86 nebo vyšším. Tyto motory fungují nejlépe na bezolovnatém benzínu.

⚠ POZOR

NEPOUŽÍVEJTE starý nebo kontaminovaný benzín nebo olejovo/benzínovou směs. Vyvarujte se zanesení špíny nebo vody do tankovací nádržky. Používejte pouze správné palivové kontejnery, které jsou řádně označeny.

⚠ POZOR

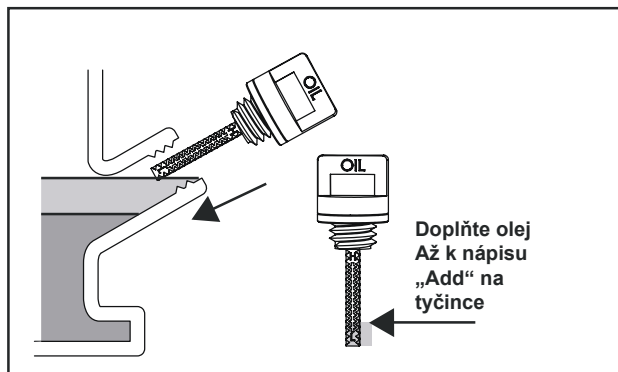
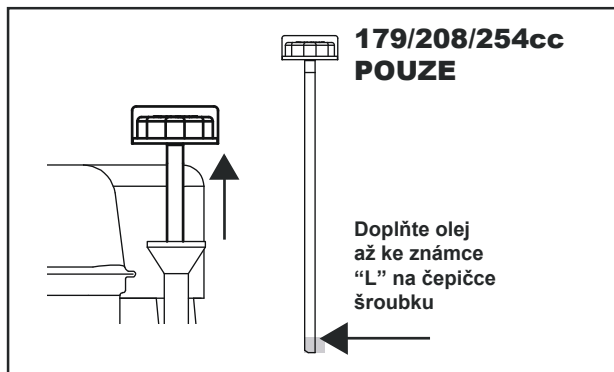
NEPOUŽÍVEJTE E85 smíšená paliva. Motor není kompatibilní s E20/E30/E85.

Nejvíce doporučovaný obsah etanolu je: 10%

KONTROLA HLADINY MOTOROVÉHO OLEJE

Zkontrolujte hladinu motorového oleje se zastaveným motorem a ve vodorovné poloze motoru.

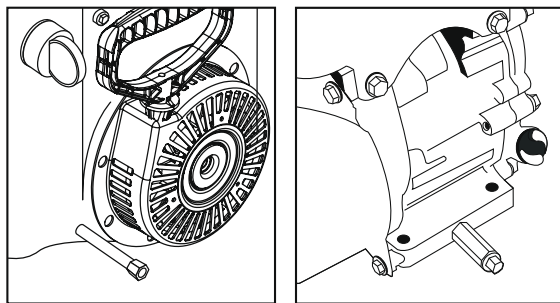
1. Odstraňte buď postraní čepičku oleje nebo odšroubujte dlouhou tyčku a vyčistěte je.
2. Zasuňte tyčku zpět a zašroubujte ji až na doraz. Poté tyčku opět odšroubujte a vyjměte. Zkontrolujte hladinu oleje na tyčce. (179/208/254cc POUZE)
3. Pokud je hladina oleje nízká, doplňte olej až hraně olejového filtru s doporučeným olejem.
4. Bezpečně zašroubujte tyčku/čepičku. Běh motoru s nízkou hladinou oleje může způsobit jeho vážné poškození. Pokaždé zkontrolujte hladinu oleje před jeho startem.



Údržba Vašeho Motoru

VÝMĚNA OLEJE SNĚHOVÉHO MOTORU START /STOP Prepínac

1. Výměnu oleje provádějte jenom pokud je motor studený.
2. Motor nastartujte a nechte běžet za 1-2 minuty.
3. Vypněte motor.
4. Umístěte kolébkový spínač do pozice stop.
5. Odstraňte sněžný bezpečnostní klíč.
6. Tělo trubičky olejové výpusti by mělo být podloženo mystičkou než odstraníte kryt olejové výpusti. Zajistěte tělo trubičky výpusti 14mm klíčem ve směru hodinových ručiček. Uvolněte 10 olej vypustit Plug , nebo 16mm drain SZP , obrátit proti směru hodinových ručiček . Odebrat olej vypustit plug a rozdrtit myčka , nebo SZP .
7. Nechte olej úplně vytéct.
8. Ověřte, že olejová vsakovací trubice je utěsněná v bloku motoru: 36 N-m (320-330 in-lbs.).
9. Dejte zpět těsnění a zátku výpusti. Těsnění musí být mezi olejovou trubičkou a olejovou výpustí aby se zabránilo únikům oleje. Přitáhněte šroub olejové výpusti silou 31 N-m (270-280 in-lbs.). Na přední olej drain , použití te^on pásku nebo potrubí podproces uzávěr by měly být použity k zabránění úniku ropy .
10. Znovu naplňte blok motoru olejem podle instrukcí manuálu.

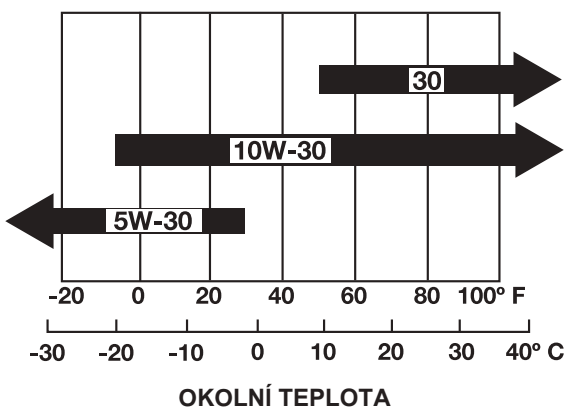


VÝMĚNA OLEJE SNĚHOVÉHO MOTORU Spínac Chodu/ Zastavení s Klíčkem

1. Výměnu oleje provádějte jenom pokud je motor studený.
2. Motor nastartujte a nechte běžet za 1-2 minuty.
3. Vypněte motor.
4. Vyjměte klíček chodu/zastavení.
5. Tělo trubičky olejové výpusti by mělo být podloženo mystičkou než odstraníte kryt olejové výpusti. Zajistěte tělo trubičky výpusti 14mm klíčem ve směru hodinových ručiček. Nyní uvolněte 10mm klíčem konec trubičky olejové výpusti otáčením proti směru hodinových ručiček. Odstraňte zátku výpusti a vymáčkněte těsnění.
6. Nechte olej úplně vytéct.
7. Ověřte, že olejová vsakovací trubice je utěsněná v bloku motoru: 36 N-m (320-330 in-lbs.).
8. Dejte zpět těsnění a zátku výpusti. Těsnění musí být mezi olejovou trubičkou a olejovou výpustí aby se zabránilo únikům oleje. Přitáhněte šroub olejové výpusti silou 31 N-m (270-280 in-lbs.).
9. Znovu naplňte blok motoru olejem podle instrukcí manuálu.

DOPORUČENÍ MOTOROVÉHO OLEJE

- Motorový olej ovlivňuje výkon a provoz. Použijte 4-dobý automobilový detergentní olej.
- 5W-30 olej je doporučen pro hlavní použití (syntetický olej je přijatelnou alternativou).
- SAE olejová viskozita a klasifikace údržby jsou označeny API známkou na olejovém kontejneru. Používejte API SERVICE kategorie SJ motorového oleje nebo lepší.



Olej Kapacity

136cc - 16 oz (.473 liter)	291cc - 32 oz (.946 liter)
179cc - 16 oz (.473 liter)	306cc - 32 oz (.946 liter)
208cc - 16 oz (.473 liter)	369cc - 38 oz (1.123 liter)
223cc - 16 oz (.473 liter)	414cc - 38 oz (1.123 liter)
254cc - 20 oz (.591 liter)	420cc - 38 oz (1.123 liter)

Údržba Vašeho Motoru

ÚDRŽBA ZAPALOVACÍ SVÍČKY

Doporučena F6RTC (Torch) svíčka / F6RTP (platina) nepovinné

Doporučení:

- Champion doporučuje svíčku: RN9YC (v některých tabulkách RN9YCC)
- NGK doporučuje svíčku: BPR6ES
- BOSCH doporučuje svíčku: WR6DC

⚠ POZNÁMKA

Použití nesprávné zapalovací svíčky může způsobit poškození motoru.

Výměna Zapalovací Svíčky

⚠ VAROVÁNÍ



Zahřívací box může být horký a před tím, než se ho budete chtít dotknout, počkejte až bude úplně vychladlý. Tlumič a součásti uvnitř tepelného krytu mohou být **HORKÉ!** Před údržbou zapalovací svíčky nebo čehokoliv uvnitř tepelného krytu, nechte vše vychladnout.

1. Jakmile je motor studený, odstraňte tlačítko bezpečnostního klíče.
2. Odpojte uzávěr zapalovací svíčky a odstraňte nečistoty z okolí zapalovací svíčky.
3. Odstraňte zapalovací svíčku pomocí 13/16palcového (21mm) klíče na zapalovací svíčky.
4. Prohlédněte zapalovací svíčku. Vyměňte ji, pokud jsou elektrody špatné nebo pokud izolátor je prasknutý nebo odlomený.
Otvor pro zapalovací svíčku musí mít 0.027 - 0.030in (0.7-0.8mm).
5. Namontujte zapalovací svíčku pečlivě. Otáčejte zapalovací svíčkou doté doby než nebude točení možné.
6. Utáhněte zapalovací svíčku pomocí 13/16-palcového klíče na zapalovací svíčky. Utáhněte 1/4 obrat až zapalovací svíčka usedne.

⚠ POZNÁMKA

Vadná zapalovací svíčka může způsobit přehřátí a zničení motoru. Pokud utáhnete zapalovací svíčku až přespříliš, můžete zničit závity v hlavě motoru.

7. Upevněte uzávěr zapalovací svíčky. Zajistěte uzávěr zapalovací svíčky na bezpečné místo.
8. Přeinstalujte tlačítko bezpečnostního klíče předtím, než se pokusíte zapnout motor.

Užitečné Rady & Tipy

Uskladnění Vašeho Motoru

Příprava k uskladnění

Řádným uskladněním zůstane Váš motor bezproblémový a čistý. Následující kroky pomohou proti poškození funkcí a zevnějšku motoru rzi a korozi a motor půjde snadněji nastartovat při opětovném používání.

Čištění

Pokud motor běžel, nechte ho alespoň půl hodiny vychladnout před tím, než ho začnete čistit. Vyčistěte všechny vnější povrchy a aplikujte tenkou vrstvičku penetračního spreje.

- Nestříkejte vodu přímo do výfukových částí nebo do otevřeného tepelného štítu. Voda, která prosákne do těchto míst, může motor poškodit. Používejte hadr k vysušení tepelného štítu, pokud je čištění potřebné.
- Při kontaktu s vodou může být horký motor zničen. Pokud motor běžel, počkejte nejméně půl hodiny před začátkem mytí.

Přidáním palivového stabilizátoru, prodloužíte životnost.

⚠ POZNÁMKA

Palivový stabilizátor se doporučuje pro dlouhodobé uskladnění.

1. Zatímco motor běží, otočte červeným palivovým knoflíkem do pozice VYPNUTO a nechte motor běžet doté doby než se zastaví. Otočte knoflíkem na VYPNUTO ve chvíli, kdy začne kolísání, aby nedošlo k poničení motoru.
2. Přidejte palivový stabilizátor, pokračujte podle instrukcí výrobce.
3. Otočte červeným palivovým knoflíkem do pozice ZAPNUTO poté, co přidáte palivový stabilizátor.
4. Znovu nastartujte motor.
5. Po 1 minutě běžícího motoru bude jisté, že zpracovaný benzín byl nahrazen nezpracovaným benzínem v karburátoru.
6. Zpomalte motor na otáčky naprázdno.
7. Opakujte krok 1.

PLÁN ÚDRŽBY

Normální provozní stav (méně než 40 hodin za rok)

	Po Každém Použití	První Měsíc	Každých 6 Měsíců	Jednou Za Rok
Hladina motorového oleje	zkontrolovat			
Motorový olej		vyměnit	vyměnit	
Zapalovací svíčka*			vyčistit	vyměnit
Válec/Vrchní ploutve				vyčistit
Olejové štěrby	zkontrolovat			
Šrouby	zkontrolovat			
Svorky palivové hadice	zkontrolovat			

*Otvor zapalovací svíčky musí být nastaven na 0.027 -0.030in (0.7-0.8mm).

Extrémní provozní stav (více než 40 hodin za rok)

	Po Každém Použití	Každých 40 Hodin
Hladina motorového oleje	zkontrolovat	
Motorový olej		vysušit a vyměnit
Zapalovací svíčka*		Vyměnit
Válec/Vrchní ploutve	zkontrolovat	vyčistit
Olejové štěrby	zkontrolovat	
Šrouby	zkontrolovat	
Svorky palivové hadice	zkontrolovat	

* Otvor zapalovací svíčky musí být nastaven na 0.027-0.030in (0.7-0.8mm).

⚠ POZOR

Následující řádná údržba je nutná při extrémních Provozních podmínkách.

Užitečné Rady & Tipy

VÝSTRAHY USKLADNĚNÍ

Pokud motor uskladníte s benzínem v palivové nádrži a v karburátoru, hrozí vzplanutí benzínových výparů. Vyberte dobře větrané místo k uskladnění, motor nesmí přijít do kontaktu s plameny, horkem, jiskrami a žádnými zařízeními, které s plameny operují tak jako s vodou, ohništěm, ohříváčem nebo sušičkou na prádlo. Vyvarujte se jakémukoliv prostoru, kde může docházet k jiskření, otvírači garážových dveří nebo kde se pracuje se zapnutými přístroji. Vyvarujte se prostoru uskladnění s vysokou vlhkostí, která může způsobit rez a korozi. Ponechte červené palivové tlačítko v pozici VYPNUTO pro snížení možnosti vytečení paliva. Umístěte zařízení do vodorovné pozice tak, aby se zabránilo únikům oleje nebo benzínu. Jakmile je motor a odsávací systém studený, přikryjte motor, aby se nezaprášil. Horký motor a odsávací systém mohou vzplanout nebo roztavit určité materiály. Nepoužívejte plastové folie k přikrytí. Nепорézní pokrytí může pochytit vlhkost, která způsobuje korozi a rez.

Po Dlouhé Době Uskladnění

Zkontrolujte motor stejně jak je to popsáno v kapitole PŘED PROVOZEM v tomto manuálu. Pokud potřebujete natankovat, použijte pouze čerstvý benzín.

PŘEPRAVA

Přemíst'ujte motor jen pokud je studený. Horký motor a odsávací systém mohou shořet nebo mohou zapálit nějaké materiály. Při přemíst'ování udržujte motor ve vodorovné poloze aby nevyt'ekal olej nebo benzín. Umíst'ete červený palivový knoflík do pozice VYPNUTO. Chraňte motor, abyste zabránili jeho pohybu během transportu a tím zabránili poškození nebo zničení motoru.

Technické & Zákaznické Informace

INFORMACE EMISNÍHO KONTROLNÍHO SYSTÉMU

U.S.A. Kalifornské zákony ochrany ovzduší

EPA a Kalifornské předpisy vyžadují od všech výrobců, aby dodali psané instrukce popisující činnost a údržbu pro emisní kontrolní systémy.

Následující instrukce a procedury musí být dodržovány, aby byly dodrženy emise Vašeho motoru v souladu s emisními standarty.

Porušování a pozměňování

Porušování nebo pozměňování emisního kontrolního systému může zvýšit emise nad legální limit. Mezi tato jednání, která stanovují porušování patří:

- Odstranění nebo pozměňování nějaké části přívodu, paliva nebo odsávacího systému.
- Pozměňování nebo zničení regulačního propojení nebo rychlostního mechanismu motoru způsobí, že motor pracuje mimo jeho navržené parametry.

ZÁKAZNICKÉ INFORMACE

Publikace výrobců

Tyto publikace Vám přináší dodatečné informace pro údržbu a opravu Vašeho motoru. Můžete si je objednat online zarezervováním na internetových stránkách.

Malá oprava motoru— Chilton manuál

Tento manuál pokrývá procedury pro celkovou údržbu a renovaci. Záměrně je užíván kvalifikovaným technikem.

Záruka Kontroly Emisních Systémů

Agentura pro ochranu ovzduší Spojených Států (US EPA), a Ariens Company jsou povinni vysvětlit záruku systému kontroly emisí na vašem malém off-roadovém motoru. Ariens musí zárukovat systém kontroly emisí na vašem malém off-roadovém motoru po dobu zde uvedenou, pokud nebyla prováděna nedoporučená údržba, zásah nebo zanedbání vašeho malého off-roadového motoru.

VÝROBNÍ ZÁRUKA

Od roku 1995 a později jsou tyto malé motory zátkované po dobu dvou let. Pokud je jakákoliv část na vašem motoru vadná, tato část bude opravena nebo vyměněna společností Ariens Company.

ZÁRUČNÍ ODPOVĚDNOST MAJITELE

Jako majitel tohoto motoru jste odpovědný za správně prováděné opravy uvedené v tomto uživatelském manuálu. Ariens Company doporučuje ponechání všech účtenek souvisejících s prováděnou údržbou na vašem motoru. Ariens Company nemůže popřít záruku pouze na základě chybějících účtenek nebo neprokázání jednoznačné chyby ze strany uživatele neodbornou údržbou. Jako majitel tohoto motoru byste měl ale také brát na vědomí, že společnost Ariens Company může odmítnout záruku vašeho motoru neodborným zásahem, nebo pokud chybá část v souvislosti s prováděnými opravami, údržbou nebo jakoukoliv modifikací motoru. Jste odpovědný za dopravu vašeho motoru do autorizovaného servisu společnosti Ariens Company jakmile dojde k jakémukoliv problému. Záruční opravy by měly být provedeny v odpovídajícím čase, tato doba by však neměla přesáhnout dobu 30 dní.

OBECNÉ KRYTÍ ZÁRUČNÍCH PODMÍNEK

Záruční doba začíná v okamžiku kdy je zařízení, nebo jeho součásti doručeny ke konečnému zákazníkovi. Ariens Company zárukuje konečnému zákazníkovi nebo jakémukoliv uživateli, že motor je: (1) Navržen, postaven, a vybaven tak, aby odpovídal všem platným předpisům vydaných společností Air Resources Board podle kapitol 1 a 2, části 5, odstavce 26 zákona o zdraví a bezpečnosti; a, (2) Bez jakýchkoliv defektů na materiále které mohou způsobit selhání zárukovaných částí které jsou popsány v tomto manuálu Ariens Company po dobu dvou let. (3) nebude opravován nebo jeho části měněny v servisním centru Ariens Company jinak, než je to v souladu s platnými postupy a standardy pro splnění záruky. Záruka na emisní-součástky je interpretována následovně: Jakákoliv součástka, kterou není nutno vyměnit tak je to doporučeno v pokynech musí být zátkovaná po dobu uvedenou v (2) výše. Pokud jakákoliv taková část selže během doby záruky musí být opravena nebo vyměněna společností Ariens Company podle (3) výše. Každá taková součástka opravená nebo vyměněná v

záruční době je zátkovaná do konce vypršení záruční doby Každá součástka která podléhá pouze pravidelné kontrole musí být zárukovaná podle doby v (2) výše. Prohlášení ve formě znějící například "oprava nebo výměna nutná" nezkrátí dobu záruky.

Jakákoliv část, která bude takto opravena nebo vyměněna neztrácí poskytovanou záruku do doby, která uplyne do doby jejího původního vypršení. Jakákoliv součástka, kterou je potřeba opravit nebo vyměnit je v záruce do doby, než je naplánováno její první vyměnění. Pokud tato součástka selže do této stanovené doby první výměny, součástka musí být opravena nebo vyměněna společností Ariens Company podle (3) výše. Jakákoliv taková součástka opravena nebo vyměněna během doby původní záruky je v záruce do vypršení této původní záruční doby. Přestože v předpisech (3) výše, garanční prohlídka nebo oprava bude provedena ve všech servisech společnosti Ariens Company, tyto mohou být prováděny i ve všech smluvních servisech motorů. Majiteli nebude účtován poplatek za zjištění závady nebo odborné prozkoumání motoru k zjištění příčin závady zátkovaných částí, pokud

Záruční Informace

SMLOUVA VLASTNÍKA MOTORU

Účinné k datu: Cerven 1, 2012

OMEZENÁ ZÁRUKA ÚDAJU

Ariens Company vyrábí motory a zařízení nejvyššího stupně kvality pro jedinečnou spokojenost majitele. Ariens Company produkty jsou garantovány následovně:

POKRYTÍ ZÁRUKY

Co je pokryto:

Společnost Ariens Company opraví nebo vymění libovolnou součást nebo součásti motoru, které byly shledány vadnými, co se týče materiálu či provedení, při běžném používání během níže zobrazené záruční doby. Záruční opravy nebo výměny budou provedeny, aniž by vám byla účtována cena za součásti nebo práci.

Jak získat záruční servis:

Svůj motor Ariens nebo vybavení společně s dokladem o datu zakoupení musíte na své náklady poslat prodejci motoru Ariens nebo distributorovi, který je oprávněn provádět záruční opravy. Pokud chcete vyhledat nejbližší servisní středisko, přejděte na webovou stránku: www.ariens.com a kliknete na stránku SUPPORT, kde naleznete odkaz nebo volejte na telefonní číslo 1-888-927-4367.

ZÁRUCNÍ LHUTA

PRODUKT	
Motory	3 roky

NEEXISTUJE ŽÁDNÁ JINÁ ZÁRUKA A SPOLEČNOST ARIENS COMPANY ODMÍTÁ VEŠKERÉ JINÉ ZÁRUKY, VCETNE ZÁRUKY BEZ OMEZENÍ, MIMO JINÉ ZÁRUKY PLNENÍ, OBCHODOVATELNOSTI NEBO VHODNOSTI PRO KONKRÉTNÍ ÚČEL. ŽÁDNÁ UDÁLOST A ANI ŽÁDNÉ TVRZENÍ NEMUŽE CINIT SPOLEČNOST ARIENS COMPANY ODPOVEDNOU ZA ZRANENÍ NEBO ÚJMU, AT UŽ PRÍMOU NEBO NEPRÍMOU, SOUVISEJÍCÍ NEBO SPECIÁLNÍ, ZPUSOBENOU UŽIVATELI. JAKÁKOLIV OPRAVA NEBO VÝMENA VADNÉHO DÍLU SPOLEČNOSTI ARIENS COMPANY BY MELA BÝT PROVEDA V

SOUHLADU S TÍMTO NAPSANÝM MANUÁLEM A ZÁRUCNÍMI PODMÍNKAMI SPOLEČNOSTI ARIENS COMPANY. ARIENS COMPANY NEPOVERILA ŽÁDNOU OSOBU MENIT, UPRAVOVAT NEBO ROZŠÍROVAT OBSAH ZÁRUK POPSANÝCH V TOMTO DOKUMENTU.

OMEZE NÍ ODPOVEDNOSTI

Je zřejmé a platí, že odpovědnost společnosti Ariens Company a způsob opravy vlastníka, at už smluvně, pod zárukou, při porušení závazku (včetně nedbalosti), by neměla překročit částku zaplacenou vlastníkem a za žádných okolností by společnost Ariens Company neměla být odpovědná za speciální, náhodné nebo následné škody, včetně osobních zranění, škod na majetku, vybavení nebo ztráty zařízení, ztráty zisku, nebo dalších dodatečných náhrad, a to i v případě, že na společnost Ariens Company byla upozorněna. Některé státy nedovolují vyloučení nebo omezení náhodných a následných škod, a proto je nelze uplatnit v těchto státech, které neumožňují vyloučení nebo omezení náhodných a následných škod. Tato záruka vám dává specifická zákonná práva a můžete mít i další práva, které se liší od státu ke státu.

Záruční Prohlášení Kalifornské Kontroly Emisí

VAŠE GARANČNÍ PRÁVA A ZÁVAZKY

Agentura pro ochranu ovzduší státu Kalifornie (California Air Resources Board), Agentura pro ochranu životního prostředí USA (United States Environmental Protection Agency US EPA), a společnost Ariens Company Vám rády vysvětlí systém záruky dodržování emisních limitů pro motor vašeho malého nesilničního zařízení, model 2018. V Kalifornii musí být motory nových nesilničních zařízení konstruovány, vyrobeny a vybaveny tak, aby vyhovovaly přísným normám tohoto státu na ochranu proti smogu. Společnost Ariens Company musí poskytovat záruku na systém kontroly emisí vašeho motoru malého nesilničního zařízení po dobu, která je uvedena níže, pod podmínkou, že toto nesilniční zařízení se používá k účelu, pro jaký je určeno, a jeho údržba je prováděna řádně a v potřebném rozsahu.

Systém kontroly emisí vašeho zařízení zahrnuje takové díly, jako karburátor a palivové nádrže, palivová potrubí, uzávěry palivových nádrží, ventily, nádrže s aktivním uhlím, filtry, hadice odlučovačů výparů, svorky, spojovací prvky a další související komponenty.

KRYTÍ VÝROBNÍ ZÁRUKY

Tento emisní kontrolní systém je garantován na dva roky. Pokud je jakákoliv emisní-esdružená část na Vašem zařízení vadná, společnost Ariens Company ji opraví nebo nahradí.

ZÁRUCNÍ ODPOVEDNOST MAJITELE

Jako majitel malého off-roadového motoru jste odpovědný za provádění požadované údržby uvedené v této příručce. Ariens Company doporučuje ponechání všech úctenek souvisejících s prováděnou údržbou na vašem motoru. Společnost Ariens Company však nemůže popřít nárok na záruku v důsledku chybejících úctenek od prováděných oprav či součástí ek, nebo za váš neúspěch při zajištění plnění veškeré naplánované údržby.

Jako majitel tohoto motoru byste měl ale také brát v úvahu, že společnost Ariens Company může odmítnout záruku vašeho motoru neodborným zásahem, nebo pokud chybá cívka souvislosti s prováděnými opravami, údržbou nebo jakoukoliv modifikací motoru.

Jakmile se objeví problém, vaší povinností je zařízení předat distribučnímu středisku společnosti Ariens Company. Záruční opravy by měly být provedeny v přiměřeném termínu, maximálně do 30 dnů. Máte-li nějaké dotazy, které se týkají vašich práv a povinností vyplývajících ze záruky, kontaktujte společnost Ariens na telefonním čísle: 1-888-927-4367.

Rozsah Pokrytí Záruky

VAŠE ZÁRUČNÍ PRÁVA A ZÁVAZKY

Ariens Company žádost o certifikaci zaručuje spotřebiteli a každému následnému kupujícímu to, že motor je:

- (1) Navržený, postavený a vybavený, aby vyhovoval všem aplikovatelným předpisům a,
- (2) zbavený poruch v materiálech a provedení, které způsobují selhání garantované součástky, aby byla totožná s materiálem respektující součástku tak, jak je to popsáno v Ariens Company žádosti o certifikaci.

ZÁRUČNÍ DOBA

Záruční doba začíná datem doručení motoru nebo zařízení zákazníkovi nebo prvním přijetím v servisu. Záruční doba je dva roky.

POKRYTÍ ZÁRUKY NA SOUČÁSTKY SOUVISEJÍCÍ S EMISEMI

Subjekt k určitým podmínkám a výlukám deklarovaný níže a záruka na součástky související s emisemi je následující:

- (1) Jakákoliv garantovaná součástka, která není uvedena v seznamu pro výměnu, jak to vyžaduje údržba v dodaném písemném návodu, je garantována záruční dobou uvedenou výše. Pokud součástka během záruční doby selže, součástka bude opravena nebo vyměněna
- 2) Jakákoliv garantovaná součástka, která je naplánována pouze pro pravidelnou prohlídku, podléhá záručním podmínkám uvedeným výše. Každá taková opravená nebo vyměněná součástka v rámci záruky bude garantována po zbývající záruční dobu,
- (3) Jakákoliv součástek, která je při údržbě potřeba vyměnit před uplynutím záruční doby je v záruce. Pokud součástka selže ještě před vyměněním, tato součástka bude vyměněna společností Ariens Company podle pravidel (4) níže. Každá vyměněná součástka je v záruce po dobu vypršení původní záruky.
- (4) Oprava nebo výměna garantované součástky podle zde uvedených záručních podmínek bude provedena bezplatně.
- (5) Nehledě na ostatní ustanovení zde uvedená, záruční servis nebo záruční opravy se provádějí ve všech distribučních centrech

společnosti Ariens Company, která mají licenci k poskytování služeb pro uvedené motory.

- (6) Majitel nehradí náklady na diagnostické práce, které se přímo týkají emisí a vadného dílu v záruce, pokud se tyto diagnostické práce provádějí v záručním servisu.
- (7) Ariens Company je odpovědný za škody motorových součástí bezprostředně způsobené selháním jakékoliv garantované součástky.
- (8) Po celou záruční dobu motoru definovanou výše, Ariens Company provede dodávku garantovaných součástek dostačující ke splnění očekávané poptávky takovýchto součástek.
- (9) Jakákoliv náhrada dílu může být použita při vykonání záruční údržby nebo opravy a bude provedena bezplatně. Takovéto použití snižuje záruční závazky Ariens Company.
- (10) Přidané nebo upravené díly, které nejsou osvobozeny od Úřadu pro kontrolu ovzduší nesmějí být použity. Použití neosvobozených přidaných nebo upravených dílů spotřebitelem mohou být důvodem k zamítnutí reklamace. Ariens Company nezodpovídá za selhání garantovaných dílů způsobené použitím přidaného nebo upraveného dílu. Ariens Company podle pododdílu uvedeného níže. Každá taková opravená nebo vyměněná součástka v rámci záruky bude garantována po zbývající záruční dobu.

Záruka Součástek

Oprava nebo výměna jakékoliv garantované součástky jinak oprávněnou k záruce, může být z této záruky vyloučena pokud Ariens Company dokáže, že motor nebo zařízení bylo zneužito, zanedbáváno nebo s ním nesprávně zacházeno a to se stalo hlavní příčinou potřeby opravení nebo výměny součástky.

Bez ohledu na jakoukoliv úpravu komponentu, která byla nainstalována továrnou a správně pracuje a úprava omezuje správný chod zařízení je stále pod zárukou. Záruka dodržení emisních limitů se vztahuje na následující komponenty za předpokladu, že jsou instalovány výrobcem:

- (1) Systém palivového měření
 - (i) Karburátor a vnitřní součástky (a/nebo tlakový regulátor nebo systém palivového vstřikování)
 - (ii) Systém měření a regulace poměru vzduch/palivo
 - (iii) Systém pro obohacení směsi pro spuštění studeného motoru
- (2) Systém vzduchové indukce
 - (i) Regulační systém přívodu horkého vzduchu
 - (ii) Nasávací potrubí
 - (iii) Vzduchový filtr
- (3) Systém zapalování
 - (i) Zapalovací svíčky
 - (ii) Magnetický nebo elektronický systém zapalování
 - (iii) Regulátor předstihu/opoždění zážehu
- (4) Systém oběhu výfukového plynu (EGR)
 - (i) EGR těleso ventilu a rozpěra karburátoru pokud je aplikovatelná
 - (ii) EGR míra zpětné vazby a kontrolní systém
- (5) Systém vzduchového vstřikování
 - (i) Vzduchové čerpadlo nebo ventilek impulsu
 - (ii) Ventily ovlivňující rozmístění toku

- (i i) Různorodá distribuce
- (6) Katalyzátor nebo systém tepelného reaktoru
 - (i) Katalytický konvertor
 - (i) Tepelný reaktor
 - (i i) Různorodý výfukový plyn
- (7) Částečkové kontrolní lapače
 - (i) Filtry, srážedla a jiná zařízení používaná pro zachycení částečkových emisí
- (8) Rozmanité položky používané ve výše uvedeném systému
 - (i) Vakuum, teplota a časově sensitivní ventily a přepínače
 - (i) Elektronické ovládání
 - (i i) Trubice, pásy, konektory a montáže
- (9) Komponenty, z nichž se odpařuje palivo
 - (i) Palivové potrubí
 - (ii) Svorky palivového potrubí
 - (iii) Palivová nádrž a uzávěr palivové nádrže
 - (iv) Nádržka s aktivním uhlím a spojovací díly
 - (v) ROV

Ariens Company
655 West Ryan Street
Brillion, WI 54110
1-888-927-4367

Informace o Součástkách a Kontakty Servisu



Pro služby a servis ARIENS Motorů v rámci Evropy prosím kontaktujte:

EuroGarden nv/sa
Sint-Truidensesteenweg 252 - 3300 Tienen - Belgie
Telefon: 00 32 16 80 54 24
E-mail: info@eurogarden.be
Fax: 00 32 16 80 54 38

Ariens Zařízení Distributoři:

RAKOUSKO

Hochfilzer Forst-Garten-Umwelt GmbH & Co
Telefon: 011-43-5338-84050
Fax: 011-43-5338-8405-32
011-43-5338-8405-33
Email: info@hochfilzer.com
ronald.hrncecek@hochfilzer.com
Website: www.hochfilzer.com

BELGIE

S.A. Matermaco N.V.
Telefon: 011-32-816-27-500
011-32-2-727-0382 (Wils)
Fax: 011-32-227-27-0363
011-32-2-705-7855
Email: info@matermaco.be
wils@matermaco.be

ČESKÁ REPUBLIKA

Mountfield A.S.
Telefon: 420-255-7042-61
Fax: 420-72-40-16-291
Email: marek.david@mountfield.cz
Website: http://www.mountfield.cz

HOLANDSKO

S.A. Matermaco N.V.
Telefon: 011-32-2-727-0360 (central)
011-32-2-727-0382 (Wils)
Fax: 011-32-2-727-0363
011-32-2-705-7855
Email: info@matermaco.be
wils@matermaco.be
Website: www.matermaco.be

IRSKÁ REPUBLIKA

John Atkins & Co Ltd
T/A Atkins McKenzies Grass Machine
Telefon: 011-353-21-454-2811
Fax: 011-353-21-454-2864
Email: mark.wolfe@atkins.ie
Website: http://www.atkins.ie

HEALTHUIS TUIN EN PARKMACHINES

Helthuis Tuin En Parkmachines
Telefon: 011-312-647-23464
Fax: 011-312-647-22722
Email: helthuis@helthuis.Com

POLSKO

AMA Polsko SP. Z .O.O.
Telefon: 011-48-22-7697-661
Email: dariusz.kijoch@amapoland.pl
info@amapoland.pl
Website: www.amapoland.pl

RUSKO

Sprint-M
Telefon: 011-7-095-739-4826
Fax: 011-7-095-739-4827
Email: info@sprint-m.ru
Website: www.sprint-m.ru

ŠPANĚLSKO

Comercial de Suministros, S.L.
Telefon: 011-34-94453-1011
Fax: 011-34-94471-1273
Email: borja@suminis.com
Website: www.suminis.com

TURECKO

Mapas Hirdavaticilik Ithalat V
Telefon: 011-90-216-576-9072
SEVERNÍ IRSKO Fax: 011-90-216-576-8206
Email: Victor.mori@mapas.com.tr

DÁNSKO

Scan-Motor A/S
Telefon: 011-458-652-1255
Fax: 011-458-652-4955
Email: bk@scan-motor.dk
Website: www.scan-motor.dk

FINSKO

Oy Elfving Ab
Telefon: 011-358-9-870-87832
Fax: 011-358-9-870-87803
Email: kim.holmstrom@elfving.fi

FRANCIE

Ets P.P.K.
Telefon: 011-33-1-34-11-50-50
011-33-1-34-11-50-51 (Philippe)
Fax: 011-33-1-39-81-68-58
Email: ppk@ppk.fr
phil.klomp@ppk.fr (Philippe)
Website: www.ppk.fr

Irish Farm & Garden Machinery Ltd

Telefon: 011-353-1-846-3922
Fax: 011-353-1-846-1321
Email: paul@fgm.uk.net

ITÁLIE

Ditta Sivini Mario
Telefon: 011-390-30-3760-333
Fax: 011-390-30-3366-093
Email: info@sidan.it
Website: www.sidan.i

NORSKO

Sovde A/S
Telefon: 011- 47-69-264 750
Fax: 011-47-69-26-01-47
Email: info@sovde.no
Website: www.sovde.no

SPOJENÉ KRÁLOVSTVÍ VELKÉ BRITÁNIE

Farm & Garden Machinery
Telefon: 011-44-1480-450-909
Fax: 011-44-1244-674-499
Email: paul@fgm.uk.net
Website: www.fgm.uk.net

Parts Depot (Groundscare) LTD

Telefon: 011-44-1282-860444
Fax: 011-44- 1282-860555
Email: chris@gmggroundscare.co.uk
Website: www.gmggroundscare

ULOŽTE TENTO MANUÁL PRE BUDÚCE POUŽITIE

ARIENS ZASNEŽUJÚCI MOTOR

136cc / 179cc / 208cc / 254cc / 291cc / 306cc / 369cc / 414cc SÉRIA

PRE POUŽITIE LEN V STUDENOM POČASÍ

Návod na Použitie

EU

Tento zážihový systém je v súlade s kanadským ICES-002 (2/NMB-2) štandardom.



NEBEZPEČENSTVO

NEBEZPEČENSTVO OXIDU UHOĽNATÉHO

NIKDY nepoužívajte motor vo vnútri domov, garáží, chodieb, ostatných alebo čiastočne uzavretých plôch. Na týchto miestach môžu vzniknúť jedovaté plyny, ktoré môžu byť škodlivé alebo smrteľné. Použitie ventilátora, otvorenie dverí alebo okien nezabezpečí dostatok čerstvého vzduchu.




Výfukové plyny obsahujú oxid uhoľnatý - jedovatý plyn, ktorý môže byť škodlivý alebo smrteľný. Tento plyn nemožno vidieť, ani cítiť.

Ak motor beží, použite detektor oxidu uhoľnatého.

Ak začnete mať pocit nevoľnosti, závraty alebo cítiť sa slabo pri použití motora, zastavte ho a okamžite choďte na čerstvý vzduch. Vyhľadajte lekársku pomoc. Je možné, že ste sa otrávil oxidom uhoľnatým.

NEBEZPEČENSTVO

Použitie motora, alebo vnútorné použitie motora Vás môže zabiť počas niekoľkých minút. Výfukové plyny obsahujú oxid uhoľnatý, jedovatý plyn, ktorý nemôžete vidieť ani cítiť.

		
<p>NIKDY nepoužívajte v domácnosti alebo v čiastočne uzavretých priestoroch, ako sú garáže.</p>		<p>Používajte iba vonku a ďaleko od otvorených okien dverí a prieduchov.</p>

Vyhnite sa ďalším nebezpečenstvám motora.
PRED POUŽITÍM SI PREČÍTAJTE PRÍRUČKU.

Obsah

Úvod	2
Motor a Bezpečnostné Symboly	2
Motor a Bezpečnosť	3
Ovládacie Prvky a Služby	4
Pred Začatím Prevádzky	5
Prevádzka - RUN / STOP Prepínač	6
Prevádzka - Kľúčový Spínač Spustenia/Zastavenia	7
Prevádzka	8
Servis Motora	8-11
Užitočné Rady a Návrhy pokračovanie	12-13
Technické a Spotrebiteľské Informácie	13
Záruka na Systém Regulácie Emisii	14
Informácie Výrobcu o Záruke	15
Kalifornské Záručné Vyhlásenie Kontroly Emisii	15
Rozsah Všeobecnej Emisnej Záruky	16
Súčiastky Pod Zárukou	16
Dostupnosť Náhradných Dielov a Služieb	17

Úvod

Pri použití tohto motora by mala byť vaša bezpečnosť a bezpečnosť ostatných vašou najvyššou prioritou..

Na etiketách a v tejto príručke sme poskytli prevádzkové postupy a ďalšie informácie, aby sme vám pomohli pri rozhodnutiach týkajúcich sa bezpečnosti, Tieto informácie sú varovaním pred možnými rizikami, ktoré by mohli ohroziť vás alebo iné osoby.

Prosíme, pri používaní tohto motora zostaňte bezpečnostne uvedomelý. V rôznych podobách sme poskytli dôležité informácie ohľadom bezpečnosti, napríklad:

- Bezpečnostné značky: namontované na motore.
- Bezpečnostné správy: predchádzajú ich varovné symboly, a jedna z troch nasledujúcich hesiel, nebezpečenstvo, varovanie alebo upozornenie. Tieto bezpečnostné symboly upozornenia majú nasledujúci význam:

NEBEZPEČENSTVO

- Ak sa nebudete riadiť pokynmi, SPÔSOBÍTE si vážne ZRANENIE alebo SMRŤ.

VAROVANIE

- Ak sa nebudete riadiť týmito pokynmi, MÔŽETE SI spôsobiť vážne ZRANENIE alebo SMRŤ

UPOZORNENIE

-Ak sa nebudete riadiť pokynmi, môže to spôsobiť VÁŽNE ZRANENIE alebo POŠKODENIE ZARIADENIA.

- Bezpečnostné Odseky: ako dôležité BEZPEČNOSTNÉ UPOZORNENIA
- Bezpečnostné sekcie: ako MOTOROVÁ BEZPEČNOSŤ.
- Pravidlá: Ako správne a bezpečne používať tento motor.

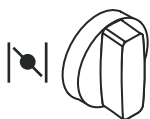
Dôkladne si prečítajte a preskúmajte tento manuál, aby sa zoznámili z bezpečnou manipuláciou a získali maximálny úžitok a radosť z využívania tohto motora.

Motor a Bezpečnostné Symboly

VAROVANIE

DÔLEŽITÉ BEZPEČNOSTNÉ ZNAČKY

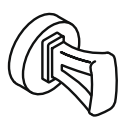
V tejto príručke, sú nachádzajú nasledujúce dôležité bezpečnostné symboly. Spoznajte ich, pretože sú dôležité pre bezpečné a účinné používanie.



Ovládanie Sýtiča



Ovládanie Paliva



Kľúčový Spínač



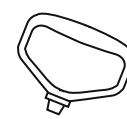
RUN / STOP Prepínač



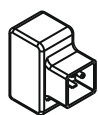
Kľúčový spínač spustenia/zastavenia



Vstrekovacie tlačidlo



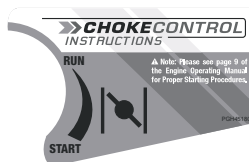
Navíjacia Rukoväť



Pripojovací adaptér elektrického štartéra



Štartér Tlačidlo



Pozícia Sýtiča



Otras



Horúca Plocha



Stop



Vstrekováč



Vložiť Kľúč

Motor a Bezpečnosť

VAROVANIE

DÔLEŽITÉ BEZPEČNOSTNÉ OPATRENIA

Zriedkavo dochádza k nehodám pri dodržovaní návodu, ak prevádzkovateľ je bezpečnostne uvedomelý a motor je riadne udržiavaný. Nižšie sú popísané niektoré z najbežnejších nebezpečenstiev, a najlepšie spôsoby, ako ochrániť seba, aj ostatných.

- Tento motor možno použiť iba v zimnom počasí.
- Pre dlhodobé skladovanie je doporučené použitie palivového stabilizátora.

Zodpovednosti Vlastníka a Prevádzkovateľa

Vlastníci a prevádzkovatelia by mali dodržiavať tieto návrhy:

- Starostlivo si prečítajte manuál.
- Postupujte starostlivo podľa pokynov v tomto návode.
- Zoznámte sa s všetkými kontrolkami a zistite, ako rýchlo zastaviť motor v prípade núdze.
- Motor uchovávajte mimo dosahu detí a nechajte ich manipulovať s ním. Udržujte deti a domáce zvieratá mimo prevádzkovej oblasti.
- Prevádzkujte motor v dobre vetranom mieste. Nikdy ho nespúšťajte v interiéri.

Tankovanie Motora

Benzín je extrémne horľavý a benzínové výpary môžu explodovať. Pri tankovaní motora prijmite nasledovné opatrenia.

- Vykonať ak je motor vychladnutý.
- Tankujte vonku v dobre vetraných priestoroch.
- Motor nesmie byť spustený.
- Uistite sa, že motor je uzemnený, aby sa zabránilo iskre statickou elektrickou.
- Pri dopĺňaní paliva nefajčite, ani nepoužívajte mobilné telefóny.
- Uchovávajte mimo dosahu plameňov alebo iskier.
- Ak dôjde k vyliatiu, pred naštartovaním motora sa uistite, že všetky priestory sú suché a výpar sa rozplynul.

Výfuk

NEBEZPEČENSTVO OXIDU UHOĽNATÉHO:

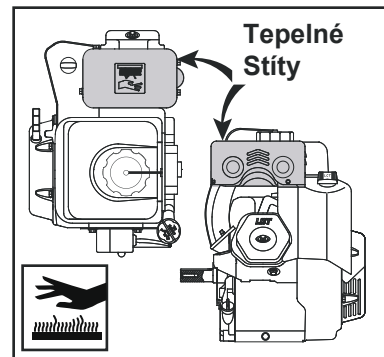
Výfuku motora je nebezpečný z dôvodu intenzívne tepla a emisií oxidu uhoľnatého, jedovatého plynu. Vyvarujte sa vdychovania výfukových plynov. Motor má vždy bežať v dobre vetranom priestore. Nikdy nespúšťajte motor v interiéri.

Tepelný štít

- Zasnežujúci motor je vybavený tepelným štítom, ktorý je navrhnutý tak, aby motor mohol pracovať v chladných podmienkach (pozri spúšťacia procedúra pre správne umiestnenie sýtiča pri štartovaní motora). Tepelný štít a komponenty vo vnútri sú horúce. Uistite sa, že motor má dostatok času na vychladnutie pred dotknutím sa štítu, alebo pri vykonaní údržby vo vnútri štítu. Pozri Sekciu Údržba pre ďalšie informácie.
- Pre vyvarovanie sa nebezpečenstvu vzniku požiaru a pre dostatočné vetranie, umiestnite motor aspoň 3 ft (1 m) od stien budov a iných zariadení. Nekladte horľavé predmety blízko k motoru.

Ostatné zariadenia

Pozri usmernenia k zariadeniu, ktoré sú poháňané týmto motorom, a aj akékoľvek ďalšie bezpečnostné opatrenia, ktoré sa týkajú štartu, zastavenia, behu, a ochranného bezpečnostného náradia, ktoré je potrebné k prevádzke zariadenia.



VAROVANIE



Nedotýkajte sa horúcich častí motora (pozri obrázok vyššie). Horúce časti motora môžu spôsobiť vážne popáleniny.

Ovládacie Prvky a Služby

OVLÁDACIE PRVKY

1. Tlačidlo ovládania sýtiča

Tlačidlo sýtiča otvára a zatvára sací ventil karburátora. "START" poloha obohacuje palivovú zmes, ktorá je na zmiernenie studeného štartovania motora. "RUN" pozícia zabezpečuje riadneho zmes paliva po zahriatí motora. Nikdy sa nepokúšajte vypnúť motor pomocou sýtiča.

2. Kolískové tlačidlo RUN / STOP

Kolískové tlačidlo umožňuje zapínanie a vypínanie zapaľovania. Prepnete kľúčik spínacej skrinky do polohy START pre spustenie motora. Prepnete kľúčik spínacej skrinky do polohy STOP pre zastavenie motora.

3. Tlačidlo ovládanie paliva

Tlačidlo ovládanie paliva otvorí a zatvorí prechod medzi karburátorom a palivovou nádržou. Tlačidlo ovládanie paliva musí byť v "ON" polohe pre chod motora. Ak motor nie je používaný, uistite sa, že tlačidlo ovládanie paliva je na "OFF".

4. Tlačidlo kľúčového spínača

Tlačidlo kľúčového spínača zapína elektronický systém motora, a musí byť inštalovaný pred spustením motora.

5. Vstrekovacie tlačidlo

Systém vstrekovacieho tlačidla je navrhnutý tak, aby obohacoval palivovú zmes pri studenom štarte motora. Nepreplňujte palivový systém. Pre správne využitie vstrekovacieho tlačidla ho za studena pred spustením motora stlačte 3-krát. Nepoužívajte vstrekovacie tlačidlo pri teplom štarte motora.

6. Nadmerná spätná rukoväť

Motor sa spustí zatahnutím spätnej rukoväte. Vždy uchopte rukoväť pevne a držte svoje telo umiestnené správne pri ťahaní. Keď spúšťate motor:

- Pomaly ťahajte spätnú rukoväť až ucítite odpor.
- Potom pre štart motora zatahnite lanom po celej dĺžke.
- Nikdy nenamotávajte palec okolo spätnej rukoväte v prípade spätneho vrhu motora.

7. Nadmerné palivové viečko

Umožňuje jednoduché otváranie a zatváranie palivovej nádrže pre efektívnejšie tankovanie.

8. Elektrický štart (ak je vybavený)

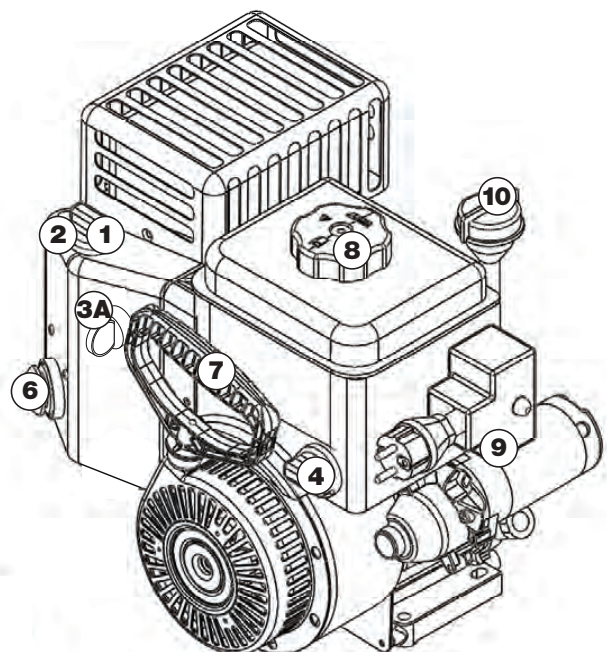
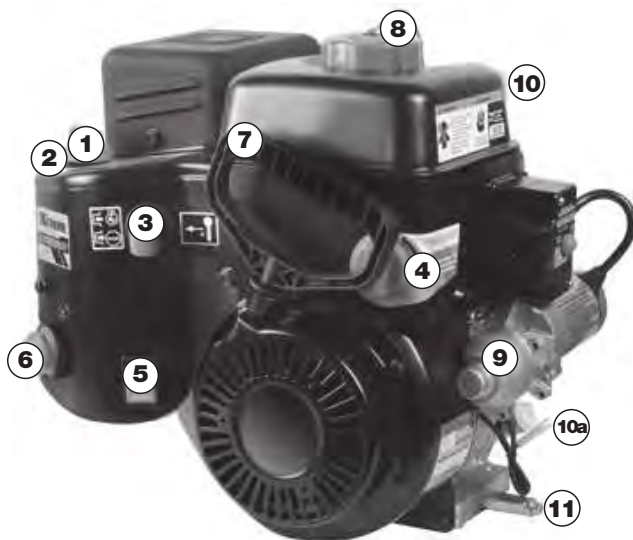
Používa sa pre štart motora s 120V predĺžovacím káblom. Vždy používajte správnu veľkosť predĺžovacieho kábla, aby sa zabránilo poškodeniu elektrického štartéra.

9. Vysoká zátka olejového potrubia

Umožňuje výhodnú polohu pre pridávanie oleja v počas života motora. S nižšou zátkou skontrolujte hladinu oleja podľa pokynov príručky.

10. Kľúčový spínač spustenia/zastavenia

Kľúčový spínač spustenia/zastavenia zapína a vypína systém zapaľovania. Otočením kľúčového spínača motora do pozície RUN (Spustiť) motor naštartujete. Otočením kľúčového spínača motora do pozície STOP (Zastaviť) motor zastavíte. Kvôli BEZPEČNOSTI vyberte kľúč, aby sa zabránilo chodu zariadenia bez dozoru.



Pred Začatím Prevádzky

KONTROLY PRED MANIPULÁCIOU

Pre vašu bezpečnosť, a pre maximálnu životnosť zariadenia je veľmi dôležité, aby ste pár chvíľ predtým, ako budete pracovať s motorom, skontrolovali jeho stav. Ak sa vyskytnú problémy, uistite sa, že Váš predajca ich pred spustením motora opraví.

VAROVANIE

Nesprávne udržiavanie tohto motora, alebo neodstránenie problému pred začatím prevádzky, môžu spôsobiť zlyhanie, pri ktorom by ste mohli byť vážne zranení.
Vždy vykonanie kontrolu pred manipuláciou a odstráňte prípadné problémy.

Pred začatím prevádzky motora sa uistite, že motor je vo vodorovnej úrovni a prepínač motora je v polohe STOP.

Skontrolujte celkový stav motora

- Odstráňte všetky špiny a nečistoty, a to najmä z tepelného štítu, navijacej rukoväte a hlavy valcov.
- Skontrolujte známky poškodenia a únik oleja.
- Uistite sa, že všetky štíty a kryty sú na mieste. Všetky matice a skrutky musia byť dotiahnuté.

Skontrolujte motor

• Skontrolujte hladinu oleja v motore. Chod motora s nízkou hladinou oleja, alebo nesprávnym olejom môže spôsobiť poškodenie motora. Aby sa zabránilo nepohodlnému neočakávanému vypnutiu, pred spustením vždy skontrolujte hladinu oleja v motore. Motor je dodávaný s olejom, alebo bez oleja. Všeobecne sa odporúča použitie oleja 5W-30. Syntetický oleja je prijateľná alternatíva (pre vhodnú úroveň oleja v obsahu pozri Kontrola oleja v motore).

• Pred spustením motora skontrolujte hladinu paliva

Vzhľadom k tomu, že motor musí byť pred doplnením paliva vychladnutý, začatie práce s plnou nádržou pomôže odstrániť alebo obmedziť vznik tankovacích problémov.

Elektrický štart

• Zistite, do akého typu zásuvky zdroja napájania budete pripájať napájací kábel. Ak je štartér vybavený 230V AC elektrickou požiadavkou, uistite sa, že použijete vhodných 230V AC domáci prúdový vstup. Pre európske 230V AC aplikácie použite vhodnú uzemnenú predlžovaciu šnúru a napájací zdroj. Elektrický štartér pre Európske 230V AC aplikácie je typu CEE7-230.

• Na základe konzultácií s elektrikárom zistite, či váš napájací zdroj má trojžilový systém Prerušeného uzemneného spojenia (GFI). Ak Váš napájací zdroj nie je vybavený trojžilovým uzemňovacím GFI systémom, potom nepoužívajte elektrický štartér z dôvodu možného nebezpečného stavu.

Skontrolujte všetky zariadenia, ktoré sú poháňané motorom

Prezrite si pokyny pre motorom riadené zariadenia, všetky bezpečnostné opatrenia a postupy, ktoré by mali byť dodržané pred spustením motora.

BEZPEČNOSTNÉ OPATRENIA

Kvôli bezpečnostným opatreniam, ktoré sa vzťahujú na štart, stop, alebo operácie s motorom, pozri usmernenia k zariadeniam, ktoré sú napájané týmto motorom,

VAROVANIE

Tento motor je určený pre POUŽITIE V CHLADNOM POČASÍ.

VAROVANIE

Oxid uhoľnatý je jedovatý. Inhalácia spôsobuje bezvedomie a / alebo smrť. Vyhnite sa akejkolvek oblasti alebo činnosti, kde sa môžete vystaviť oxidu uhoľnatého.

VAROVANIE

Pri štarte NEDÁVAJTE ruky na výfukový systém alebo do jeho blízkosti.

Prevádzka - RUN / STOP Prepínač

PRED NAŠTARTOVANÍM MOTORA (obr. 1)

Pred spustením motora, starostlivo zvážte nasledovné:

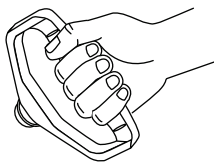
- Nechajte motor zahriať po dobu asi 30 sekúnd pred otočením sýtiča na Run pozíciu.
- Ak sa stretnete s rozporom otáčok, ak je tlačidlo sýtiča v pozícii Run:

1. Dajte tlačidlo sýtiča medzi pozície Run a Start a nechajte, aby si motor vytvoril dodatočné prevádzkové teplo.
2. Potom, čo sa motor zohreje, otočte sýtič na pozíciu Run.

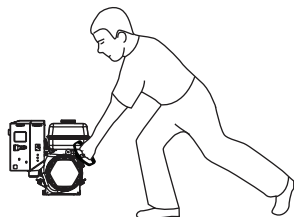
ŠTARTOVANIE MOTORA (MANULNY ŠTART) (obr. 1)

1. Otočte tlačidlo sýtiča do polohy START.
2. Vyberte Run pozíciu na Run / Stop prepínači.
3. Otočte koliesko ovládania paliva do polohy ON.
4. Nainštalujte bezpečnostný kľúčový spínač. Vložte bezpečnosť kľúčový spínač do otvoru (NEOTOČTE kľúč bezpečnostný spínača). Uistite sa, že bezpečnostný kľúčový spínač "cvakol", keď sa dostal na miesto.
5. Vstrekovací systém: maximálne tri stlačenia vstrekovacieho tlačidla. Pozor na prepĺnenie. Uistite sa, že ste zakryli vetrací otvor pred stlačením vstrekovacieho tlačidla. Držte vstrekovacie tlačidlo v stlačenej pozícii počas jednej sekundy zakaždým, keď ho stlačíte. Opakujte celkovo trikrát.
6. Pevne uchopte rukoväť. Držte vaše telo umiestnené blízko k motoru. Pomaly ťahajte, až kým nezacítite odpor, potom pre štart motora silno zatiahnite lanom po celej dĺžke a zabráňte spätnému rázu. Nestojte ďaleko od motora a nepretiahnite rukoväť. Toto môže poškodiť navijak.

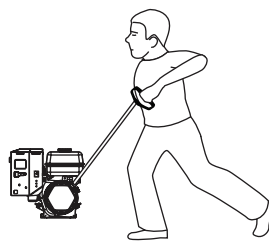
NAŠTARTOVANIE POMOCOU ŤAHU



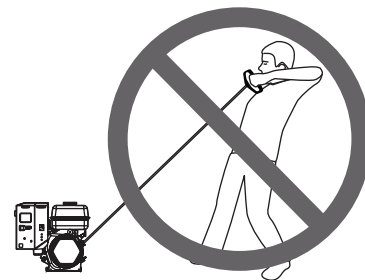
1. Pevne uchopte rukoväť.



2. Stojte blízko k motoru



3. Pomaly ťahajte, až kým nezacítite odpor, potom pre štart motora silno zatiahnite lanom po celej dĺžke a zabráňte spätnému rázu.



VAROVANIE

Nestojte ďaleko od motora a nepretiahnite rukoväť. Toto môže poškodiť navijak.

ŠTARTOVANIE MOTORA (ELEKTRICKÝ ŠTART) (obr. 1)

Postupujte podľa krokov 1 až 5 manuálneho naštartovania.

- 6A. Použite 3-žilový predlžovací kábel a zapojte napájací kábel k adaptéru. Potom stlačte zástrčku do zásuvky. Použite správnu veľkosť predlžovacieho kábla (10AWG alebo väčšie), aby nedošlo k poškodeniu elektronického zapalovania.
7. Stlačte a podržte tlačidlo štartéra.

UPOZORNENIE

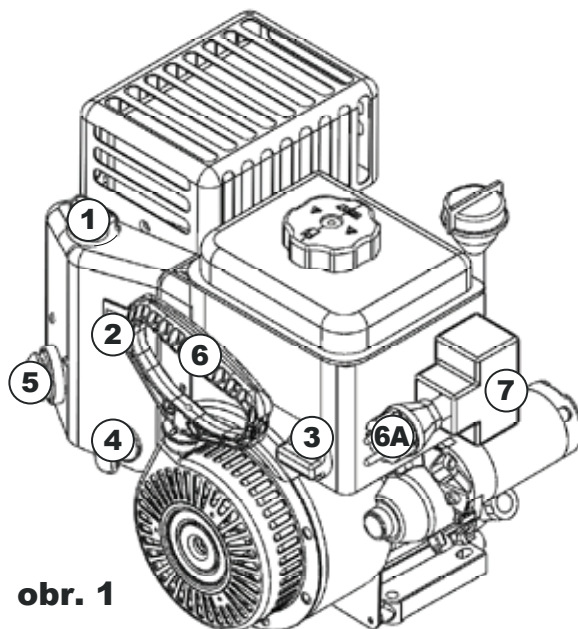
Nedržte elektrický štartér tlačidla dlhšie ako 5 sekúnd.
Počkajte aspoň 1 minútu pred začatím ďalších pokusov.

Δ DÔLEŽITÉ: Po štarte motora, odpojte kábel od adaptéra štartéra.

VAROVANIE



Ak je nutný ďalší predlžovací kábel, uistite sa, že je trojžilový. Dĺžka predlžovacieho kábla nesmie presiahnuť dĺžku stanovenú výrobcom zariadenia. Používajte iba predlžovací kábel s rovnakou alebo väčšou veľkosťou AWG drôtu, ktorý je poskytnutý výrobcom zariadenia.



obr. 1

Prevádzka - Kľúčový Spínač Spustenia/Zastavenia

PRED NAŠTARTOVANÍM MOTORA (obr. 1)

Pred spustením motora, starostlivo zvážte nasledovné:

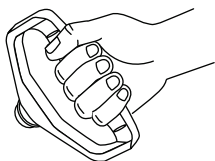
- Nechajte motor zahriať po dobu asi 30 sekúnd pred otočením sýtiča na Run pozíciu.
- Ak sa stretnete s rozporom otáčok, ak je tlačidlo sýtiča v pozícii Run:

1. Dajte tlačidlo sýtiča medzi pozície Run a Start a nechajte, aby si motor vytvoril dodatočné prevádzkové teplo.
2. Potom, čo sa motor zohreje, otočte sýtič na pozíciu Run.

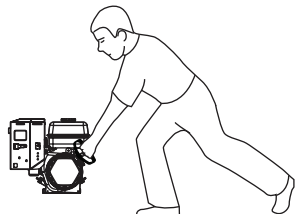
ŠTARTOVANIE MOTORA (MANULNY ŠTART) (obr. 1)

1. Otočte tlačidlo sýtiča do polohy START.
2. Vložte kľúč do spínača spustenia/zastavenia a otočte ho v smere pohybu hodinových ručičiek do polohy RUN (Spustiť).
3. Otočte koliesko ovládania paliva do polohy ON.
4. Systém nastrekovania paliva: Maximálne 3 nastreknutia. Nenastrekujte príliš veľa paliva. Pred stlačením nastrekovača zakryte vetrací otvor. Pri stlačení vždy držte nastrekovač paliva v stlačenej polohe po dobu jednej celej sekundy a medzi jednotlivými nástrekmi ho úplne pustite. Zopakujte nástrek trikrát.
5. Pevne uchopte rukoväť. Držte vaše telo umiestnené blízko k motoru. Pomaly ťahajte, až kým nezacítite odpor, potom pre štart motora silno zatiahnite lanom po celej dĺžke a a zabráňte spätnému rázu. Nestojte ďaleko od motora a nepretiahnite rukoväť. Toto môže poškodiť navijak.

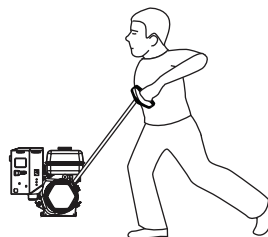
NAŠTARTOVANIE POMOCOU ŤAHU



1. Pevne uchopte rukoväť.



2. Stojte blízko k motoru



3. Pomaly ťahajte, až kým nezacítite odpor, potom pre štart motora silno zatiahnite lanom po celej dĺžke a zabráňte spätnému rázu.



VAROVANIE

Nestojte ďaleko od motora a nepretiahnite rukoväť. Toto môže poškodiť navijak.

ŠTARTOVANIE MOTORA (ELEKTRICKÝ ŠTART) (obr. 1)

Postupujte podľa krokov 1 až 4 manuálneho naštartovania.

- 5A. Použite 3-žilový predlžovací kábel a zapojte napájací kábel k adaptéru. Potom stlačte zástrčku do zásuvky. Použite správnu veľkosť predlžovacieho kábla (10AWG alebo väčšie), aby nedošlo k poškodeniu elektronického zapalovania.
6. Stlačte a podržte tlačidlo štartéra.

UPOZORNENIE

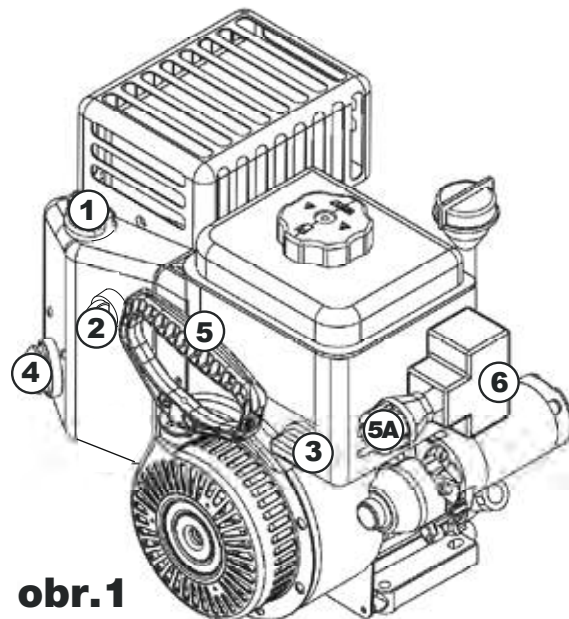
Nedržte elektrický štartér tlačidla dlhšie ako 5 sekúnd. Počkajte aspoň 1 minútu pred začatím ďalších pokusov.

Δ DÔLEŽITÉ: Po štarte motora, odpojte kábel od adaptéra štartéra.

VAROVANIE



Ak je nutný ďalší predlžovací kábel, uistite sa, že je trojžilový. Dĺžka predlžovacieho kábla nesmie presiahnuť dĺžku stanovenú výrobcom zariadenia. Používajte iba predlžovací kábel s rovnakou alebo väčšou veľkosťou AWG drôtu, ktorý je poskytnutý výrobcom zariadenia.



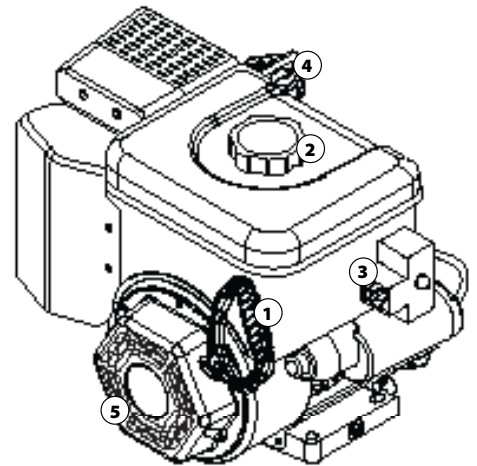
obr.1

Informácia o prevádzke motora snežnej frézy Ariens EFI

⚠ **Dôležité:** Pozrite si hlavnú príručku so všetkými pokynmi týkajúcimi sa prevádzky a údržby.

OVLÁDACIE PRVKY

- 1. Nadmerne veľká rukoväť rukoväte lanového štartéra:** Veľká rukoväť lanového štartéra je špeciálne vyhotovená pre použitie s hrubými zimnými rukavicami.
- 2. Nadmerne veľký uzáver palivovej nádrže:** Umožňuje ľahké otvorenie a zatvorenie pre efektívnejšie doplnenie paliva.
- 3. Elektrický štart:** Používa sa na spustenie motora s predĺžovacou šnúrou 120 V AC. Vždy používajte správnu veľkosť predĺžovacej šnúry, aby ste zabránili poškodeniu elektrického štartéra.
- 4. Vysoká trubica pre plnenie oleja:** Poskytuje pohodlný priestor pre pridávanie oleja počas životnosti motora. Skontrolujte hladinu oleja pomocou dolnej zátky plniaceho otvoru oleja podľa pokynov v návode pre majiteľa.
- 5. Výpust oleja:** Pre ľahký prístup vyčnieva pod krytom štartéra.



PRED SPUSTENÍM MOTORA

Pred spustením motora skontrolujte hladinu oleja motora.

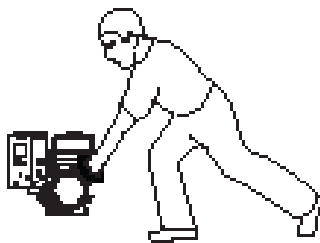
SPUSTENIE MOTORA (MANUÁLNE SPUSTENIE)

- Zakladací kľúč (umiestnenie a pokyny pozri v návode Ariens).
- Pevne uchopte lanovú rukoväť. Svoje telo umiestnite tak, aby ste stáli blízko motora. Ťahajte pomaly, kým nepocítite odpor, potom lano potiahnite prudšie a rýchlo, aby sa spustil motor a zamedzilo sa spätnému trhnutiu. NESTOJTE ďaleko od motora ani lanovú rukoväť nadmerne nevyťahujte. Poškodí sa tým lanový štartér.

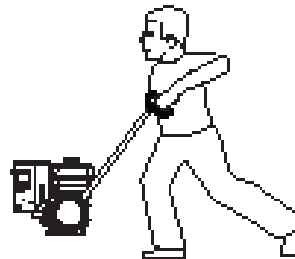
POSTI



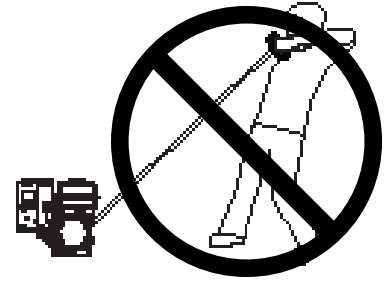
1. Pevne uchopte rukoväť štartéra.



2. Svoje telo umiestnite tak, aby ste stáli blízko motora.



3. ŤAHAJTE POMALY, KÝM NEPOCÍTITE ODPOR, potom lano potiahnite prudšie a rýchlo, aby sa spustil motor a zamedzilo sa spätnému trhnutiu.

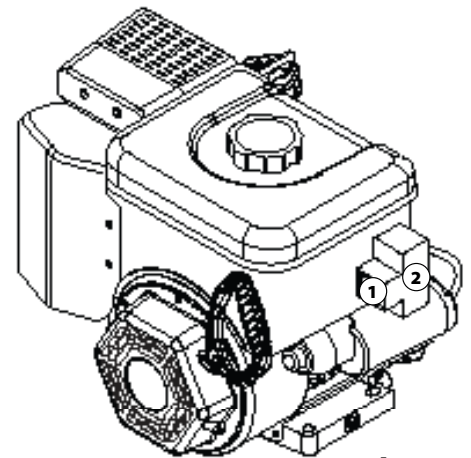


VAROVANIE

Nestojte ďaleko od motora ani lanovú rukoväť nadmerne nevyťahujte. Poškodí sa tým lanový štartér.

SPUSTENIE MOTORA (ELEKTRICKÝ ŠTART) (obr. 1)

- Zakladací kľúč (umiestnenie a pokyny pozri v návode Ariens).
- Použite 3-vodičovú predĺžovaciu šnúru a šnúru najprv zapojte do štartovacieho adaptéra motora. (1) Potom zapojte šnúru do elektrickej zásuvky. Použite vhodne dimenzovanú predĺžovaciu šnúru (minimálny kaliber 16, 3-vodičovú, 13 A, nie dlhšiu ako 7,6 m (25 stôp) a vhodnú na použitie vonku), aby sa zabránilo poškodeniu elektrického štartéra.
- Stlačte a podržte tlačidlo štartéra (2). ⚠ **Dôležité:** Po spustení motora odpojte šnúru od adaptéra štartéra.



obr. 1

UPOZORNENIE

Ndržte tlačidlo elektrického štartéra dlhšie ako 5 sekúnd. Pred ďalšími pokusmi o spustenie počkajte aspoň 1 minútu.

VAROVANIE



Ak potrebujete ďalšiu predĺžovaciu šnúru, zabezpečte, aby to bola 3-vodičová šnúra. Používajte iba predĺžovaciu šnúru s rovnakou alebo väčšou AWG veľkosťou vodiča, ako je uvedené vyššie.

PLÁN ÚDRŽBY

Normálne prevádzkové podmienky
(menej ako 40 hodín ročne)

	PRI KAŽDOM POUŽITÍ	PRVÝ MESIAC	KAŽDÝCH 6 MESIACOV	RAZ ROČNE
Palivový filter				Vymeniť

Extrémne prevádzkové podmienky
(viac ako 40 hodín ročne)

	PRI KAŽDOM POUŽITÍ	PRVÝ MESIAC	KAŽDÝCH 6 MESIACOV	RAZ ROČNE
Palivový filter				Vymeniť

UPOZORNENIE

Dodržiavanie správnej údržby je pri extrémnych prevádzkových podmienkach nevyhnutné.

Prevádzka

ZASTAVENIE MOTORA (Obr. 2)

RUN / STOP Prepínač

Ak chcete zastaviť motor v prípade núdze:

1. Otočte prepínač do polohy STOP, alebo
2. Vytiahnite bezpečnostný kľúč z motora.

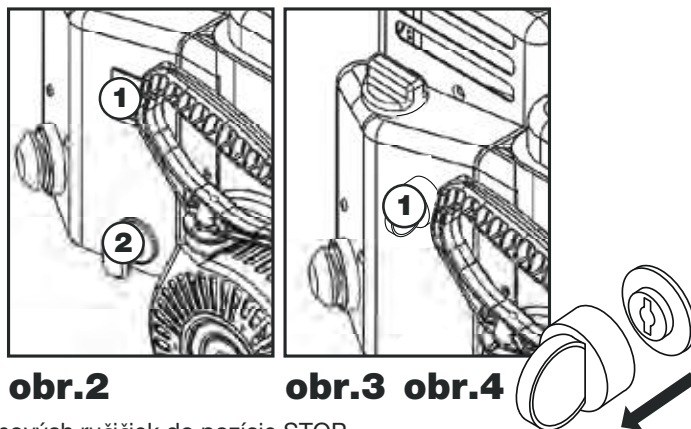
Za normálnych okolností, použite nasledujúci postup:

1. Otočte vypínač do polohy STOP.
2. Vytiahnite bezpečnostný kľúč od motora a uložte ho na bezpečnom mieste pre budúce použitie.

ZASTAVENIE MOTORA (obr. 3, 4)

Kľúčový Spínač Spustenia/Zastavenia

1. Otočte kľúčový spínač spustenia/zastavenia proti smeru pohybu hodinových ručičiek do pozície STOP.
2. Vytiahnite kľúč z motora a uložte ho na bezpečné miesto na budúce použitie.



obr.2

obr.3 obr.4

Servis Motora

VÝZNAM ÚDRŽBY

Chráňte seba aj svoje zariadenie riadnou údržbou Vášho motora.

Správna údržba motora je nutná pre bezpečnú, ekonomickú a bezporuchovú prevádzku.

VAROVANIE

Nesprávna údržba tohto motora, alebo nevhodné riešenie problému pred prevádzkou môžu spôsobiť zlyhanie, pri ktorom sa môžete vážne zraniť, alebo môžete byť zabitý. Vždy postupujte podľa Plánu a odporúčania pre kontrolu a údržbu v tejto príručke.

Aby sme Vám pomohli pri správnej starostlivosti o svoj motor, tieto stránky obsahujú rutinné kontrolné postupy a postupy jednoduchšej údržby, za použitia základného ručného náradia. Zložitejšia údržba, ktorá si vyžaduje špeciálne nástroje by mala byť riešená prostredníctvom profesionálov a je zvyčajne vykonávaná servisným technikom alebo kvalifikovaným mechanikom.

POZNÁMKA

Pozri plán údržby pre rozdiely pre normálny a extrémny prevádzkový stav..

BEZPEČNÁ ÚDRŽBA

Tento manuál obsahuje veľmi dôležité bezpečnostné opatrenia. Avšak, nemôžeme vás varovať pred všetkými mysliteľnými nebezpečenstvami, ktoré môžu vzniknúť pri vykonávaní údržby. Vy sa musíte rozhodnúť, či by ste mali vykonať danú úlohu a byť pri tom vždy bezpečnostne uvedomelý.

Bezpečnostné opatrenia

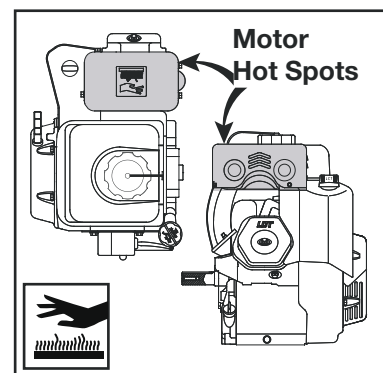
- Než začnete s nejakou údržbou alebo opravou, uistite sa, že motor nebeží, je vypnutý, veko zapalovacej sviečky je odstránené od zapalovacej sviečky a motor je vychladnutý. To môže zabrániť niekoľkým potenciálnym nebezpečenstvám, ako napríklad nasledujúce:

Otrava oxidom uhoľnatým z výfukových plynov motora. Spustite motor iba v dobre-ventilovanom priestore.

Popáleniny od horúcich častí motora. Nechajte motor a výfukový systém vychladnúť pred dotykom (Pozri výkres vpravo)

Zranenia od pohybujúcich sa dielov. Nespúšťajte motor, pokiaľ k tomu nebudete vyzvaný.

- Než začnete údržbu, prečítajte si všetky pokyny a uistite sa, že budete mať k dispozícii požadované nástroje a zručnosti.
- Pre zníženie možnosti vzniku požiaru alebo výbuchu, buďte ostražitá pri práci s benzínom. Pre čistenie jednotlivých častí používajte iba nehorľavé rozpúšťadlá, nie benzín. Cigarety, iskry a otvorený oheň držte ďalej od všetkých dielov prichádzajúcich do kontaktu s pohonnými látkami.
- Navrhuje sa, aby pri vykonávaní údržby bol nablízku hasiaci prístroj. Váš motor pozná najlepšie váš servisný predajca, ktorý je vybavený pre údržbu a opravy.



Servis Motora

TANKOVANIE

So zastaveného a vychladnutého motora, odstráňte viečko palivovej nádrže a skontrolujte hladinu paliva. Ak je hladina paliva nízka, naplňte nádrž. Ponechajte dostatok priestoru v nádrži, aby sa palivo mohlo rozpínať vplyvom tepla. Tým sa zabráni, aby bolo palivo vytlačené z nádrže na horúci povrch.. NIKDY nenaplňte nádrž nad odporúčané označenie na plniacom potrubí.

VAROVANIE

Benzín je vysoko horľavý a výbušný. Pri manipulácii s palivom sa môžete popáliť, alebo ťažko zraniť.

- Vypnite motor a držte ďalej iskry a plamene.
- S palivom pracujte iba vonku.
- Rozliate palivo okamžite utrite.
- Pred tankovaním nechajte motor vychladnúť.

Palivo tankujte v dobre vetraných priestoroch, keď je motor vypnutý a vychladnutý. Zamedzte vytečenie paliva. Neprepĺňajte nádrž nad značku. Pri správnom zatvorení poklopu palivovej nádrže je počuť "kliknutie". Po doplnení paliva utiahnite viečko palivovej nádrže. Palivo dopĺňajte na dobre vetranom mieste, kde sa k výparom nemôžu dostať plamene alebo iskry. Udržujte pohonné hmoty mimo dosahu svetiel, grilov, elektrických zariadení, náradia a ďalších elektrických zariadení.

Rozliate palivo môže spôsobiť požiar a poškodenie životného prostredia. Rozliate palivo okamžite vytrite. Pri tankovaní nepoužívajte mobilný telefón ani iné elektronické prístroje. Zabráňte tvorbe statickej elektriny počas tankovania. Palivo môže poškodiť lakované a plastové povrchy. Pri plnení palivovej nádrže nevylejte palivo. Na škody spôsobené rozliatym palivom sa nevzťahuje záruka.

PALIVOVÉ ODPORÚČANIA

Používajte bezolovnatý benzín s oktánovým číslom 86 alebo vyšším. Tieto motory najlepšie fungujú na bezolovnatý

UPOZORNENIE

NEPOUŽÍVAJTE starý a kontaminovaný benzín alebo zmes oleja/benzínu. Predídte, aby sa do palivovej nádrže dostali nečistoty alebo voda. Používajte iba správne palivové nádrže, ktoré sú riadne označené.

UPOZORNENIE

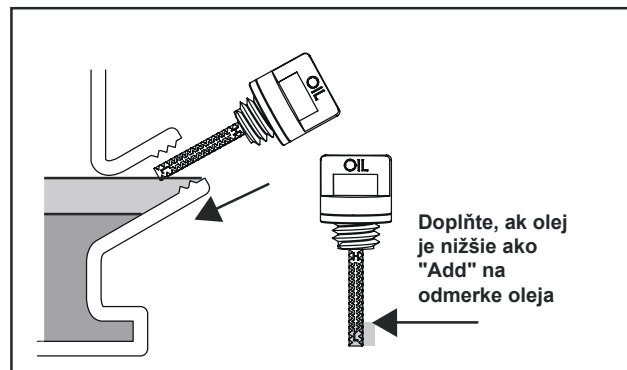
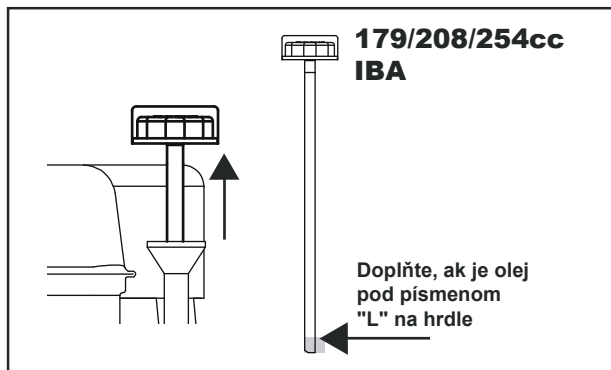
NEPOUŽÍVAJTE E85 zmes paliva. Tento motor nie je E20/E30/E85 kompatibilný.

Maximálny odporúčaný obsah etanolu: 10%

KONTROLA MNOŽSTVA OLEJA

Skontrolujte hladinu oleja v motore, keď sa motor zastavil a motor je vo vodorovnej polohe.

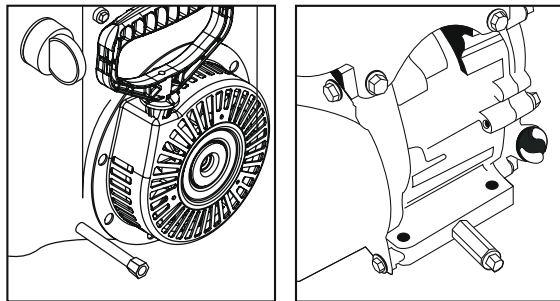
1. Odstráňte odmerku z bočného hrdla palivového otvoru, alebo vysokého hrdla palivového otvoru a dočista ho utrite.
2. Vložte mierku oleja do plniaceho potrubia a točte v smere hodinových ručičiek, kým úplne nesadne. Potom vyberte mierku oleja otáčaním protismeru hodinových ručičiek (179/208/254cc iba).
3. Ak je hladina oleja nízka, naplňte doporučený olej do plniaceho otvoru.
4. Bezpečne zaskrutkujte uzáver / odmerku. Nízka hladina oleja môže spôsobiť poškodenie motora. Pred naštartovaním, vždy skontrolujte hladinu oleja.



Servis Motora

POSTUP VÝMENY OLEJA ZASNEŽOVACIEHO MOTORA RUN / STOP Prepínač

1. Výmenu oleja začnite so studeným motorom.
2. Naštartujte a nechajte bežať motor po dobu 1-2 minút.
3. Vypnite motor
4. Nastavte otočné tlačidlo do pozície STOP.
5. Odstráňte snehový bezpečnostný kľúč.
6. Telo rúry na vypúšťanie oleja by malo byť podoprené pri odstránení zátky na vypúšťanie oleja. Podoprite telo rúrky na vypúšťanie oleja s 14mm kľúčom v smere hodinových ručičiek. Uvoľnite vypúšťaciu skrutku olej 10 mm alebo 16 mm mozgov SPP, otáčaním counter- v smere hodinových ručičiek. Odstráňte Vypúšťaciu olej a rozdrviť podložka alebo čiapku.
7. Úplne vypustite olej.
8. Overte, či rúry na vypúšťanie oleja drží pevne v bloku motora: 36 Nm (320 do 330 in-libier.).
9. Znovu nainštalujte zátku na vypúšťanie oleja a podložku. Podložka musí byť nainštalovaná medzi rúrku na vypúšťanie oleja a zátku, aby sa zabránilo úniku oleja. On Front Oil Drain, the use of Teflon tape or pipe thread sealer should be used to prevent oil leakage. Uťahnite skrutku na vypúšťanie oleja na 31 Nm (270 do 280 in-libier.).
10. Naplňte kľukovú skriňu zasnežovacieho motora s olejom podľa návodu.

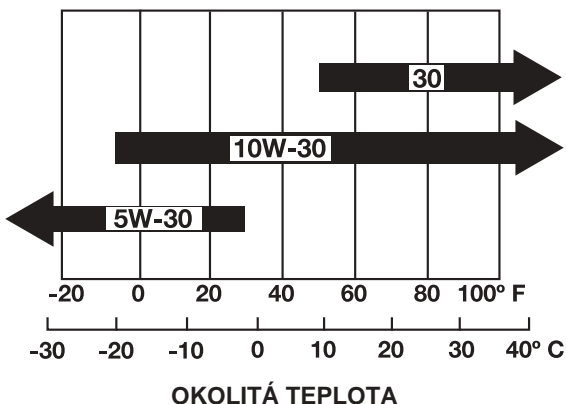


POSTUP VÝMENY OLEJA ZASNEŽOVACIEHO MOTORA Kľúčový Spínač Spustenia/Zastavenia

1. Výmenu oleja začnite so studeným motorom.
2. Naštartujte a nechajte bežať motor po dobu 1-2 minút.
3. Vypnite motor
4. Vytiahnite kľúč spustenia/zastavenia.
5. Telo rúry na vypúšťanie oleja by malo byť podoprené pri odstránení zátky na vypúšťanie oleja. Podoprite telo rúrky na vypúšťanie oleja s 14mm kľúčom v smere hodinových ručičiek. Uvoľnite 10mm zátku na vypúšťanie oleja otáčaním protismeru hodinových ručičiek. Odstráňte zátku na vypúšťanie oleja a podložku.
6. Úplne vypustite olej.
7. Overte, či rúry na vypúšťanie oleja drží pevne v bloku motora: 36 Nm (320 do 330 in-libier.).
8. Znovu nainštalujte zátku na vypúšťanie oleja a podložku. Podložka musí byť nainštalovaná medzi rúrku na vypúšťanie oleja a zátku, aby sa zabránilo úniku oleja. Uťahnite skrutku na vypúšťanie oleja na 31 Nm (270 do 280 in-libier.).
9. Naplňte kľukovú skriňu zasnežovacieho motora s olejom podľa návodu.

ODPORÚČANIA MOTOROVÉHO OLEJA

- Motorový olej ovplyvňuje výkon a životnosť. Použitie 4-taktný automobilový detergentný olej.
- Pre všeobecné použitie je doporučený 5W-30 olej (syntetický olej je prijateľná alternatíva).
- SAE viskozita oleja a servisné klasifikácie sú na etikete API na olejovej nádrži. Používajte motorové oleje API Kategóriou služby SJ, alebo lepšie.



Kapacita motorového oleja

136cc - 16 oz (.473 liter)	291cc - 32 oz (.946 liter)
179cc - 16 oz (.473 liter)	306cc - 32 oz (.946 liter)
208cc - 16 oz (.473 liter)	369cc - 38 oz (1.123 liter)
223cc - 16 oz (.473 liter)	414cc - 38 oz (1.123 liter)
254cc - 20 oz (.591 liter)	420cc - 38 oz (1.123 liter)

ÚDRŽBA ZAPALOVACEJ SVIEČKY

F6RTC (Pochodeň) zapalovacia sviečka je odporúčaná

Krížové odkazy: / F6RTP (Platinum) Neobvezno

- Champion sviečka krížový odkaz je: RN9YC (niektoré tabuľky ukazujú RN9YCC)
- NGK sviečka krížový odkaz: BPR6ES
- BOSCH sviečka krížový odkaz: WR6DC

⚠ POZNÁMKA

Použitie nesprávnej zapalovacie sviečky môže spôsobiť poškodenie motora.

Výmena zapalovacej sviečky

⚠ VAROVANIE



Box ohrievača môže byť horúci a pred dotykom by malo byť možné, aby úplne vychladol. Tlmič a iné časti pod tepelným štítom môžu byť HORÚCE! Pred tým, ako sa pustíte do opravy sviečky, alebo inej oblasti pod tepelným štítom, nechajte motor vychladnúť.

1. Keď je motor vychladnutý, vyberte bezpečnostný kľúčový spínač.
2. Odpojte zapalovaciu sviečku a tlakom vzduchu odstráňte nečistoty z okolia zapalovacie sviečky.
3. Odstráňte zapalovaciu sviečku z 13/16in (21 mm) sviečkovým kľúčom.
4. Skontrolujte zapalovaciu sviečku. Nahradte ju, ak sú elektródy opotrebované, alebo ak je prasknutá izolácia. Otvor zapalovacej sviečky by mal byť 0,027 - 0.030in (0,7 až 0,8 mm).
5. Nainštalujte sviečku opatrne, aby nedošlo k pretiahnutiu závitov. Zatočte zapalovaciu sviečku rukou, kým sa nezastaví.
6. Utiahnite zapalovaciu sviečku 13/16-inch sviečkovým kľúčom. sviečky. Utiahnite 1 / 4 zakrútením, aby zapalovacia sviečka sadla.

⚠ POZNÁMKA

Voľná zapalovacia sviečka môže spôsobiť prehriatie a poškodenie motora. Prekrútenie môže poškodiť sviečkové závit v hlave valca.

7. Pripojte zapalovaciu sviečku. Zabezpečte, aby veko zapalovacej sviečky bezpečne zapadlo na svoje miesto.
8. Pred naštartovaním motora vložte bezpečnosť kľúčový spínač.

Užitočné Rady a Bzj f\ nalc_fU cj Ub]Y

SKLADOVANIE MOTORA

Príprava na uskladnenie

Správna príprava na uskladnenie udržiava motor bezporuchový a čistý. Nasledujúce kroky pomôžu vyhnúť sa hrdze a korózii, ktoré ohrozujú funkciu a vzhľad motora a pomôže pri jednoduchšom štarte motora pri opätovnom spustení.

Čistenie

Ak sa už motor používal, pred čistením ho nechajte vychladnúť po dobu najmenej pol hodiny. Vyčistite všetky vonkajšie plochy a aplikujte ochranný mazací film.

- Nestriekajte vodu priamo do výfukových otvorov alebo otvorov tepelnému štítu. Voda, ktorá prechádza týmito oblasťami môže spôsobiť poškodenie motora. Ak je potrebné čistenie tepelného štítu, použite handričku.
- Ak sa voda dostane do kontaktu s horúcim motorom, môže spôsobiť škodu. Ak bol motor prevádzkovaný, nechajte ho vychladnúť po dobu najmenej pol hodiny pred čistením.

Pridanie palivového stabilizátora k predĺženiu životnosti palivovej nádrže.

POZNÁMKA

Palivový stabilizátor sa odporúča pri dlhodobom skladovaní.

1. Zatiaľ čo motor pracuje, prepnite červené palivové tlačítko do polohy OFF a umožnite, aby motor bežal, až kým sa nezastaví. Vypnite motor, ak začne kolísať, aby sa zabránilo poškodeniu.
2. Pridajte stabilizátor podľa pokynov výrobcu.
3. Po pridaní palivového stabilizátora pootočte červené tlačidlo na pozíciu ON.
4. Spustíte motor.
5. Prevádzkujte motor po dobu 1 minúty na čerstvom vzduchu, aby ste sa uistili, že ošetrovaný benzín bol v karburátore nahradený neošetrovaným benzínom.
6. Spomaľte motor na voľnobežné otáčky.
7. Opakujte 1 bod.

PLÁN ÚDRŽBY

Normálne prevádzkové podmienky (menej ako 40 hodín ročne)

	KAŽDÉ POUŽITIE	PRVÝ MESIAC	KAŽDÝ 6. MESIAC	RAZ ZA ROK
Množstvo oleja	Kontrola			
Motorový olej		Výmena	Výmena	
Zapaľovacia sviečka			Čistenie	Výmena
Valec / Hlava				Čistenie
Únik oleja	Kontrola			
Skrutky	Kontrola			
Svorky palivovej hadice	Kontrola			

* Zapaľovacia sviečka by mala mať medzeru na .027-0030-(0,7-0,8 mm).

Extrémne prevádzkové podmienky (viac ako 40 hodín ročne)

	MINDEN HASZNÁLAT	MINDEN 40 ÓRA
Množstvo oleja	Kontrola	
Motorový olej		Vypustenie a výmena
Zapaľovacia sviečka		Výmena
Valec / Hlava	Kontrola	Čistenie
Únik oleja	Kontrola	
Skrutky	Kontrola	
Svorky palivovej hadice	Kontrola	

* Zapaľovacia sviečka by mala mať medzeru na .027-0030-(0,7-0,8 mm).

⚠ UPOZORNENIE

Extrémnych prevádzkových podmienok, na základe riadnej údržby je nevyhnutné.

Užitočné Rady a Návrh pokračovanie

OPATRENIA PRE SKLADOVANIE

Ak bude váš motor uložený s benzínom v palivovej nádrži a karburátore, je možné riziko vznietenia benzínových pár. Vyberte si dobre vetraný skladovací priestor mimo dosahu tepla, iskier, otvoreného ohňa, a každé zariadenia, ktoré pracuje s plameňom, ako je pec, ohrievač vody, alebo sušiaci na bielizeň. Vyhnite sa akejkoľvek oblasti s iskru-produkujúcim elektrickým motorom, otváračom garážových brán, alebo tým, kde sú prevádzkované silné nástroje.

Vyhnite sa skladovacím priestorom s vysokou vlhkosťou, ktorá spôsobuje koróziu. Nechajte červený gombík paliva vo vypnutej polohe k zníženiu možnosti úniku paliva.

Umiestnite zariadenie vo vodorovnej úrovni, aby sa zabránilo úniku paliva alebo oleja. Keď motor a výfukový systém sú vychladnuté, zakryte motor, aby sa naň nedostal prach. Horúci motor a výfukový systém môžu vznietiť alebo roztaviť určité druhy materiálov. Nepoužívajte plast ako kryt proti prachu. Neporézny kryt môže zachytiť vlhkosť okolo motora a spôsobiť tak koróziu.

Vyskladnenie

Skontrolujte motor, ako je opísané v kapitole Pred začatím prevádzky tohto návodu. Ak je nutné tankovanie použite iba čerstvý benzín.

PREPRAVA

Prepravujte iba vtedy, keď motor vychladnutý. Horúci motor a výfukový systém Vás môže spáliť a môže zapáliť niektoré materiály. Pri transporte udržiavajte motor vo vodorovnej polohe k zníženiu možnosti úniku paliva. Nastavte červený palivový gombík do polohy OFF. Zabezpečte motor proti pohybu počas prepravy, aby sa zabránilo prípadnému zraneniu a poškodeniu motora.

Technické a Spotrebiteľské Informácie

INFORMÁCIE O SYSTÉME REGULÁCIE EMISÍ

USA a Kalifornské Zákony o čistom vzduchu

EPA a Kalifornské predpisy vyžadujú, aby všetci výrobcovia predložili písomné pokyny, ktoré opisujú prevádzku a údržbusystémy pre reguláciu emisií.

Nasledujúce inštrukcie a postupy musia byť v záujme zachovania emisií z motorov v rámci emisných noriem.

Manipulácia a pozmeňovanie

Manipulácia a pozmeňovanie systému regulácie emisií môže zvýšiť emisie nad zákonný limit. Medzi akty, ktoré predstavujú manipuláciu patria:

- Odstránenie alebo zmena akejkoľvek časti privodového, palivového alebo výfukového systému.
- Zmena alebo odstránenie hlavného spojenia alebo mechanizmu rýchlostného –nastavenia môže spôsobiť, že motor bude pracovať mimo svoje konštrukčné parametre.

INFORMÁCIE PRE SPOTREBITEĽA

Publikácie Výrobcu

Táto publikácia vám poskytne ďalšie informácie pre údržbu a opravy Vášho motora. Môžete si ich objednať online z väčšiny maloobchodných webov.

Malé Opravy Motora - Chiltonov manuál

Tento manuál sa vzťahuje na kompletnú údržbu a revízie postupov. Je určený pre použitie kvalifikovaným technikom.

Záruka Na Systém Regulácie Emisíí

Agentúra Ochrany Životného Prostredia Spojených štátov amerických (US EPA) a Ariens Company (Ariens) Vám s radosťou vysvetlí záruka na systém regulácie emisií na váš malý off-road motor. Ariens musia zaručiť systém regulácie emisií na malých off-road motoroch v časovom období, ktoré je uvedené nižšie, za predpokladu, že nedošlo k žiadnemu zneužívaniu, zanedbávaniu alebo nesprávnemu udržiavaniu malého off-road motora.

ZÁRUKU VÝROBCU

Malé off-road motory vyrobené v roku 1995 a neskôr sú v záručnej dobe po dobu dvoch rokov. Ak sa ktorýkoľvek náhradný diel spojený s emisiami na vašom motora pokazí, bude opravený alebo nahradený spoločnosťou Ariens Company.

ZODPOVEDNOSŤ MAJITEĽA TÝKAJÚCA SA ZÁRUKY

Ako majiteľ malého off-road motora, ste zodpovední za výkon údržby, ako je uvedené v príručke. Spoločnosť Ariens Company odporúča, že uchováte všetky doklady týkajúce sa údržby vášho malého off-road motora. Spoločnosť Ariens Company nemôže odprieť záruku, výhradne pre nedostatok dokladov, alebo za váš neúspech pri zabezpečení plnenia všetkej plánovanej údržby.

Ako majiteľ malého off-road motora, mali by ste byť vedomí toho, že Spoločnosť Ariens Company Vám môže odprieť záruku, ak váš malý off-road motor alebo jeho časť zlyhal kvôli zneužívaniu, zanedbávaniu, nesprávnej údržbe alebo neschváleným zmenám.

Vy ste zodpovedný za odovzdanie vášho malého off-road motora autorizovanému servisnému stredisku Spoločnosti Ariens Company akonáhle zistíte problém. Záručná oprava by mali byť dokončená v primeranom čase, ktorý nesmie prekročiť 30 dní.

ROZSAH VŠEOBECNEJ EMISNEJ ZÁRUKY

Záručná doba začína dňom dodania motora alebo zariadenia konečnému spotrebiteľovi. Spoločnosť Ariens Company zaručuje konečnému kupujúcemu a každému ďalšiemu kupujúcemu, že motor je: (1) navrhnutý, vyrobený a vybavený tak, aby zodpovedal platným predpisom prijatým Radou Vzdušných Zdrojov v súlade s jeho autoritu v kapitolách 1 a 2, časť 5, Oddiel 26 Zdravotného a Bezpečnostného Zákona, a (2), bez chýb materiálu a spracovania, ktoré sú spôsobené poruchou súčiastky pod zárukou, je rovnaký vo všetkých významných hľadiskách, ako je opísané v Záručnej príručke spoločnosti Ariens Company je záruka na systém riadenia emisií po dobu dvoch rokov. (3) Opravu alebo výmenu akejkoľvek súčiastky pod zárukou podľa záručných podmienok budú vykonávať bezplatne v servisnom stredisku spoločnosti Ariens Company.

Záruka na emisiou súvisiace diely bude interpretovaná takto: Na každú súčiastku pod zárukou, ktorá nie je na programe výmeny, ako sa to vyžaduje v dodaných písomných pokynoch, sa musí vzťahovať záruka po záručnej lehote uvedenej v (2) vyššie. Ak sa táto súčiastka pokazí počas obdobia záručného pokrytia, musí byť opravená alebo nahradená spoločnosťou Ariens Company podľa bodu (3) vyššie.

Na každú opravenú alebo vymenenú súčiastku pod zárukou sa musia ďalej vzťahovať záručné podmienky po zostávajúce záručné obdobie. Na akúkoľvek súčiastku pod zárukou, na ktorú je plánovaná iba pravidelná kontrola, ako sa to vyžaduje v dodaných písomných pokynoch sa musí vzťahovať záruka po záručnej lehote uvedenej v (2) vyššie. Vyhlásenie v týchto písomných pokynoch o tom, že "oprava alebo výmena, ak je potrebná" nezníži dobu záručného pokrytia. Na každú súčiastku opravenú alebo vymenenú v rámci záruky sa musí vzťahovať záruka po zostávajúcu záručnú dobu.

Na akúkoľvek súčiastku pod zárukou, ktorá je naplánovaná na výmenu, ako to vyžadujú písomné pokyny pre údržbu, sa musí vzťahovať záručná doba po dobu pred prvým plánovaným bodom nahradenia pre túto časť. Ak sa súčiastka pokazí pred plánovanou prvou náhradou, bude súčiastka pod zárukou nahradená spoločnosťou Ariens Company podľa bodu (3) vyššie. Na každú súčiastku opravenú alebo vymenenú v rámci záruky bude platiť záruka po zostávajúce obdobie pred prvou plánovanou výmenou. Bez ohľadu na ustanovenia v bode (3) vyššie, záručný servis, alebo opravy budú poskytované na všetkých servisných strediskách spoločnosti Ariens Company, ktoré sú zazmluvnené na servis predmetných motorov. Majiteľovi nebudú účtované diagnostické práce, ktorá vedú k určeniu, že súčiastka pod zárukou je v skutočnosti chybná, za predpokladu, že tieto diagnostické práce sa vykonávajú v servisnom stredisku spoločnosti Ariens Company.

Spoločnosť Ariens Company je zodpovedná za škody spôsobené inými časťami motora v rámci záruky akejkoľvek súčiastky pod zárukou. Počas záručnej doby motora definovanej v (2) bode vyššie, spoločnosť Ariens Company bude udržiavať dodávky súčiastok pod zárukou, dostatočných na splnenie očakávaného dopytu po takýchto častiach. Každý náhradný diel môže byť použitý pri plnení akejkoľvek záručnej údržby alebo opravy a bude poskytovaná bezplatne pre majiteľa. Takýmto použitím sa nezníži záručná povinnosť spoločnosti Ariens Company. Pridané, alebo upravené časti nesmú byť použité. Takéto použitie bude dôvodom neuznania záruky. Spoločnosť Ariens Company nebude zodpovedná za zlyhanie súčiastky pod zárukou spôsobené použitím takýchto pridaných alebo upravených častí.

Informácie Výrobcu o Záruke

ZÁRUČNÉ PODMIENKY TÝKAJÚCE SA VLASTNÍKA MOTORA

Dátum účinnosti: 01.06.2012

OBMEDZENÉ ZÁRUČNÉ VYHLÁSENIE VÝROBCU

Spoločnosť Ariens Company vyrába svoje motory a vybavenie na najvyššej úrovni kvality, aby našim zákazníkom priniesol bezkonkurenčnú majiteľskú spokojnosť. Produkty spoločnosti Ariens Company sú pod zárukou pre pôvodných majiteľov nasledovne:

ROZSAH ZÁRUKY

Na čo sa záruka vzťahuje:

Spoločnosť Ariens Company opraví alebo vymení akúkoľvek časť alebo časť motora, ak sa zistí chyba materiálu či spracovania pri bežnom používaní počas záručnej doby stanovenej nižšie. Oprava alebo výmena v rámci záruky sa vykoná bez poplatku za jednotlivé diely alebo prácu.

Ako získať záručný servis:

Na vlastné náklady je potrebné dodať motor alebo iné zariadenie od spoločnosti Ariens spolu s pôvodným dokladom o dátume nákupu predajcovi motorov spoločnosti Ariens alebo distribútorovi, ktorý je oprávnený vykonávať záručné opravy. Ak chcete zistiť, kde sa nachádza najbližšie autorizované servisné stredisko, navštívte lokalitu: www.ariens.com Na stránke SUPPORT nájdete prepojenie alebo môžete zavolať na číslo 1-888-927-4367.

ZÁRUČNÁ DOBA

Produkty

Motory	3 roky
--------	--------

NEEXISTUJE ŽIADNA INÁ VÝSLOVNÁ ZÁRUKA, ALEBO SA TVRDENIE, A SPOLOČNOSŤ ARIENS COMPANY ODMIETA VŠETKY OSTATNÉ ZÁRUKY, VRÁTANE, BEZ OBMEDZENIA, ZÁRUKY PLNENIA, OBCHODOVATEĽNOSTI ALEBO VHODNOSTI PRE KONKRÉTNY ÚČEL. V ŽIADNOM PRÍPADE, A PODĽA ŽIADNEJ TEORIE, NEZOSTÁVA

SPOLOČNOSŤ ARIENS COMPANY ZODPOVEDNÁ ZA PRIAME, NEPRIAME, NÁSLEDNÉ ALEBO OSOBNÉ ŠKODY ALEBO POŠKODENIA, KTORÉ UTRPEL MAJITEĽ. PRE MAJITEĽA MUSÍ BYŤ VÝHRADNÝ OPRAVNÝ PROSTRIEDOK NA OPRAVU ALEBO VÝMENU CHYBNEJ SÚČIASTKY, ČASŤI ALEBO ZARIADENIA SPOLOČNOSTI ARIENS COMPANY, PODĽA AT ZLOŽKY ZMLUVY SPOLOČNOSTI TEKUTÁ SPAĽOVACIA TECHNOLOGIA, LLC, V SÚLADE S TÍMTO PÍSOMNÝM OBMEDZENÍM ZÁRUKY. SPOLOČNOSŤ ARIENS COMPANY NEPOVERILO ŽIADNU OSOBU NA UPRAVOVANIE, ZMENU ALEBO ROZŠIROVANIE ZÁRUK UVEDENÝCH V TOMTO DOKUMENTE.

OBMEDZENIE ZODPOVEDNOSTI

Je dorozumené a odsúhlasené, na zodpovednosť spoločnosti Ariens Company a nápravu majiteľa, či už v zmluve, na základe akejkoľvek záruky, porušenie záväzku (vrátane nebanlivosti) a objektívnej zodpovednosti alebo inak, nesmie byť vyšší ako kúpna cena, ktorú hradí vlastník, a za žiadnych okolností nesmie byť spoločnosť Ariens Company zodpovedná za žiadne špeciálne, náhodné alebo následné škody, vrátane zranenia osôb, škody na majetku, poškodenie alebo straty zariadenia, ušlý zisk alebo príjmy, náklady na prenájom, náhrady a ďalšie náklady, a to aj vtedy, ak spoločnosť Ariens Company bola upozornená na možnosť vzniku takýchto škôd. Cena výrobku spoločnosti Ariens Company na zväžení s obmedzovaním záväzkov spoločnosti Ariens Company a zodpovednosť a majiteľa. Niektoré štáty nedovoľujú vylúčenie alebo obmedzenie náhodných a následných škôd, a ako také, ani nemôžu byť vyššie uvedené jazyk uplatniteľné pre tieto štáty, ktoré neumožňujú vylúčenie alebo obmedzenie náhrady náhodných a následných škôd. Táto záruka vám dáva špecifické zákonné práva a môžete mať aj ďalšie práva, ktoré sa líšia od štátu k štátu.

Kalifornské Záručné Vyhlásenie Kontroly Emisií

VAŠE PRÁVA A POVINNOSTI TÝKAJÚCE SA ZÁRUKY

Kalifornský Úrad pre ochranu ovzdušia (California Air Resources Board), americká Agentúra pre ochranu životného prostredia (United States Environmental Protection Agency - US EPA) a spoločnosť Ariens Company Vám ochotne vysvetlia záruku na emisný systém pre Váš malý spaľovací motor modelovej rady pre rok 2018. V štáte Kalifornia musia byť nové malé spaľovacie motory navrhnuté, skonštruované a vybavené tak, aby spĺňali prísne štandardy v oblasti ochrany ovzdušia. Spoločnosť Ariens Company musí poskytnúť záruku na emisný systém Vášho malého spaľovacieho motora na obdobia uvedené nižšie pod podmienkou, že Váš malý spaľovací motor nebol predmetom nesprávneho použitia, zanedbania alebo nevhodnej údržby.

Emisný systém Vášho motora sa môže skladať zo súčiastok ako karburátor alebo palivové nádrže, palivové potrubie, viečka palivovej nádrže, ventily, uhlíkové nádrže, filtre, hadice na odvod výparov, svorky, konektory a ďalšie súvisiace komponenty.

POKRYTIE ZÁRUKY VÝROBCU

Na tento Systém regulácie emisií je záruka dva roky. Ak sa súčiastky súvisiace s emisiami na vašom zariadení pokazia, súčiastky budú opravené alebo nahradené spoločnosťou Ariens Company.

ZÁRUČNÁ ZODPOVEDNOSŤ MAJITEĽA

Ako majiteľ malého off-road motora, ste zodpovední za výkon údržby, ako je uvedené v príručke. Spoločnosť Ariens Company

odporúča, aby ste zachovali všetky doklady týkajúce sa údržby vášho malého off-road motora, ale spoločnosť Ariens Company môže poprieť záruku pre nedostatok dokladov alebo za váš neúspech pri zabezpečení plnenia všetkých plánovanej údržby. Ako majiteľ malého off-road motora, mali by ste byť vedomí toho, že Spoločnosť Ariens Company Vám môže odprieť záruku, ak váš malý off-road motor alebo časť zlyhal kvôli zneužívaniu, zanedbávaniu, nesprávnej údržby alebo neschváleným zmenám.

Ste zodpovedný za to, aby ste svoj malý spaľovací motor doniesli do niektorého z predajných miest spoločnosti Ariens Company čo najskôr po vzniku problému. Záručná oprava by mala byť vykonaná v primeranom časovom období, nie však dlhšom ako 30 dní. V prípade akýchkoľvek otázok týkajúcich sa Vašich práv a povinností vyplývajúcich zo záruky by ste mali kontaktovať spoločnosť Ariens na telefónnom čísle: 1-888-927-4367.

Rozsah Všeobecnej Emisnej Záruky

VAŠE PRÁVA A POVINNOSTI TÝKAJÚCE SA ZÁRUKY

Žiadosť Ariens Company o certifikáciu zaručuje konečnému kupujúcemu a každému ďalšiemu kupujúcemu, že motor je:

- (1) navrhnutý, vybudovaný a vybavený tak, aby spĺňal všetky platné predpisy a
- (2) bez chýb materiálu a spracovania, ktoré spôsobujú zlyhanie súčiastok pod zárukou, že musí byť rovnaká vo všetkých významných hľadiskách časti, ako je opísané v žiadosti o certifikáciu Ariens Company.

ZÁRUČNÁ DOBA

Záručná doba sa začína dňom dodania motora alebo zariadenia ku konečnému spotrebiteľovi alebo dňom prvého uvedenia do prevádzky. Záručná doba je dva roky.

ZÁRUKU PRE DIELY SÚVISIACE S EMISIOU

Podľa určitých podmienok a vylúčení, ako je uvedené nižšie, záruka na diely súvisiace s emisiou je nasledovná:

- (1) Pre každú časť pod zárukou, ktorá nie je na programe výmeny, ako sa to vyžaduje v dodanom písomnom návode na údržbu je opodstatnená záručná doba uvedená vyššie. Ak súčiastka zlyhá počas obdobia záručného pokrytia, bude opravená alebo vymenená Ariens Company podľa pododdielu nižšie. Na každú takúto opravenú alebo vymenenú súčiastku v rámci záruky sa bude vzťahovať záruka po zostávajúce záručné obdobie.
- (2) Pre každú časť pod zárukou, na ktorú je v písomných pokynoch návodu plánovaná iba pravidelná kontrola, je záručná doba uvedená vyššie. Na každú takú opravenú alebo vymenenú súčiastku sa bude vzťahovať záruka po zostávajúcu záručnú dobu.
- (3) Pre každú časť pod zárukou, na ktorú je naplánovaná výmena, ako sa to vyžaduje v dodanom písomnom návode na údržbu, je záruka po dobu pred plánovaným prvým bodom výmeny tejto časti. Ak sa nepodarí vymeniť súčasť pred prvou plánovanou výmenou, bude opravená alebo vymenená v Ariens Company podľa bodu (4) nižšie. Na každú takú časť opravenú alebo vymenenú v rámci záruky bude

trvať záruka po zostávajúce obdobie pred bodom prvej plánovanej výmeny.

- (4) Oprava alebo výmena akejkoľvek časti pod zárukou podľa záručných podmienok bude vykonaná na záručnej stanici bezplatne pre majiteľa.
- (5) Bez ohľadu na tu uvedené ustanovenia záručný servis a opravy vykonávajú všetky predajné miesta spoločnosti Liquid Combustion Technology, LCC, ktoré sú oprávnené vykonávať servis predmetných motorov.
- (6) Majiteľ motora neplatí žiadne poplatky za diagnostické úkony, ktoré priamo súvisia s diagnostikou chybných súčiastok emisného systému, na ktorú sa vzťahuje záruka, pod podmienkou, že tieto diagnostické úkony boli vykonané v záručnom servisnom stredisku.
- (7) Ariens Company je zodpovedná za škody spôsobené zlyhaním inými časťami motora v rámci záruky akéhokoľvek oprávnenej časti.
- (8) V priebehu záručnej doby motora definovanej vyššie, Ariens Company bude udržiavať dodávky častí pod zárukou, dostatočne na splnenie očakávaného dopytu po takýchto častiach.
- (9) Každý náhradný diel môže byť použitý pri vykonávaní akejkoľvek záručnej údržby alebo opravy a bude poskytovaný bezplatne pre majiteľa. Takéto použitie nezníži záručnú povinnosť Ariens Company.
- (10) Pridané alebo upravené súčiastky, ktoré nie sú povolené Radou Vzdušných Zdrojov nemôžu byť použité. Takéto použitie môže poslužiť ako základ pre odmietnutie reklamácie. Ariens Company nenesie zodpovednosť za zlyhanie dielov pod zárukou, ktoré boli pridávané alebo upravené.

Súčiastky Pod Zárukou

Oprava alebo výmena akéhokoľvek náhradného diela, ktorá by inak bola spôsobilá pre uplatnenie záruky, môže byť vylúčená so záruky, ak Ariens Company poukáže, že zariadenie bolo zneužitá, zanedbávané, alebo nesprávne udržiavané a že takéto zneužívanie, zanedbávanie, alebo nesprávna údržba bola priamou príčinou opravy alebo výmeny. V tejto súvislosti všetky opravy tovársky inštalovaných súčastí a zmena dobre fungujúceho nastavenia obmedzovača, je dôvodom na vylúčenie zo záruky. Záruka sa vzťahuje na nižšie uvedené súčiastky emisného systému, ak boli nainštalované priamo pri výrobe:

- (1) Dávkovanie palivového systému
 - (i) Karburátor a vnútorné diely (a / alebo regulátor tlaku alebo systém vstrekovania paliva)
 - (ii) Kontrolný a riadiaci systém zmiešavania vzduchu a paliva
 - (iii) Systém obohacovania zmesi pri studenom štarte
- (2) Vzduchový indukčný systém
 - (i) Systém riadeného nasávania horúceho vzduchu
 - (ii) Sacie potrubie
 - (iii) Vzduchový filter
- (3) Systém zapalovania
 - (i) Zapalovacie sviečky
 - (ii) Magnetický alebo elektronický systém zapalovania
 - (iii) Systém predstihu/oneskorenia zapalovania
- (4) Systém recirkulácie výfukových plynov (EGR)
 - (i) EGR ventil tela, a podložka karburátora v prípade potreby
 - (ii) Systém spätnej väzby a kontroly EGR systému
- (5) Vstrechovací systém vzduchu

- (i) vzduchový kompresor alebo pulzačný ventil
 - (ii) Ventily majúce vplyv na distribúciu prúdu
 - (iii) distribúcia v sacom potrubí
- (6) Katalyzátor alebo systém tepelného reaktora
 - (i) Katalyzátor
 - (ii) Tepelný reaktor
 - (iii) Zberné výfukové potrubie
 - (7) Pasce na kontrolu častíc
 - (i) filtre, odlučovače a akékoľvek iné použité prístroje na zachytávanie emisií častíc
 - (8) Rôzne položky používané vo vyššie uvedených systémoch
 - (i) vákuové, ventily a prepínače citlivé na teplotu a čas
 - (ii) elektronické ovládanie
 - (iii) hadice, remene, spojky a montáže
 - (9) Súčiastky systému regulácie výparných emisií
 - (i) Palivové potrubie
 - (ii) Svorky palivového potrubia
 - (iii) Palivová nádrž a viečko palivovej nádrže
 - (iv) Uhlíková nádrž a pripájacie súčiastky
 - (v) ROV

Ariens Company
655 West Ryan Street
Brillion, WI 54110
1-888-927-4367

Dostupnosť Náhradných Dielov a Služieb



Pre diely a servis ARIENS motorov v celej Európe, kontaktujte prosím:

Eurogarden NV / SA

Sint-Truidensesteenweg 252 - 3300 Tienen – Belgicko

Telefón: 00 32 16 80 54 24

E-mail: info@eurogarden.be

Fax: 00 32 16 80 54 38

Distribútori Ariens Zariadení

RAKÚSKO

Hochfilzer Forst-Garten-Umwelt GmbH & Co

Telefón: 011-43-5338-84050

Fax: 011-43-5338-8405-32

011-43-5338-8405-33

Email: info@hochfilzer.com

ronald.hrneck@hochfilzer.com

Webová stránka: www.hochfilzer.com

BELGICKO

S. A. Matermaco N.V.

Telefón: 011-32-816-27-500

011-32-2-727-0382 (Wils)

Fax: 011-32-227-27-0363

011-32-2-705-7855

Email: info@matermaco.be

wils@matermaco.be

ČESKÁ REPUBLIKA

Mountfield A.S.

Telefón: 420-255-7042-61

Fax: 420-72-40-16-291

Email: marek.david@mountfield.cz

Webová stránka: <http://www.mountfield.cz>

DÁNSKO

Scan-Motor A / S

Telefón: 011-458-652-1255

Fax: 011-458-652-4955

Email: bk@scan-motor.dk

Webová stránka: www.scan-motor.dk

FÍNSKO

Oy Ab Elfving

Telefón: 011-358-9-870-87832

Fax: 011-358-9-870-87803

Email: kim.holmstrom@elfving.fi

FRANCÚZSKO

ETS P.P.K.

Telefón: 011-33-1-34-11-50-50

011-33-1-34-11-50-51 (Philippe)

Fax: 011-33-1-39-81-68-58

Email: ppk@ppk.fr

phil.klomp@ppk.fr (Philippe)

Webová stránka: www.ppk.fr

HOLANDSKO

S. A. Matermaco N.V.

Telefón: 011-32-2-727-0360 (centrálne)

011-32-2-727-0382 (Wils)

Fax: 011-32-2-727-0363

011-32-2-705-7855

Email: info@matermaco.be

wils@matermaco.be

Webová stránka: www.matermaco.be

ÍRSKA REPUBLIKA

John Atkins & Co Ltd

T / A Atkins McKenzies Grass stroje

Telefón: 011-353-21-454-2811

Fax: 011-353-21-454-2864

Email: mark.wolfe@atkins.ie

Webová stránka: <http://www.atkins.ie>

HEALTHUIS TUIN EN PARKMACHINES

Helthuis Tuin En Parkmachines

Telefón: 011-312-647-23464

Fax: 011-312-647-22722

Email: helthuis@helthuis.Com

SEVERNÉ ÍRSKO

Írsky Poľnohospodársky & záhradná technika Ltd

Telefón: 011-353-1-846-3922

Fax: 011-353-1-846-1321

Email: paul@fgm.uk.net

TALIANSKO

Ditta Sivini Mario

Telefón: 011-390-30-3760-333

Fax: 011-390-30-3366-093

Email: info@sidan.it

Webová stránka: www.sidan.i

NÓRSKO

Sovde A / S

Telefón: 011 - 750 47-69-264 750

Fax: 011-47-69-26-01-47

Email: info@sovde.no

Webová stránka: www.sovde.no

POLSKO

AMA Poland Sp. Z. o.o.

Telefón: 011-48-22-7697-661

Email: dariusz.kijoch@amapoland.pl

info@amapoland.pl

Webová stránka: www.amapoland.pl

RUSKO

Sprint-M

Telefón: 011-7-095-739-4826

Fax: 011-7-095-739-4827

Email: info@sprint-m.ru

Webová stránka: www.sprint-m.ru

ŠPANIELSKO

Comercial de Suministros, S.L.

Telefón: 011-34-94453-1011

Fax: 011-34-94471-1273

Email: borja@suminis.com

Webová stránka: www.suminis.com

TURECKO

Mapas Hirdavatcılık Ithalat V

Telefón: 011-90-216-576-9072

Fax: 011-90-216-576-8206

Email: Victor.mori@mapas.com.tr

SPOJENÉ KRÁĽOVSTVO

Farma & záhradná technika

Telefón: 011-44-1480-450-909

Fax: 011-44-1244-674-499

Email: paul@fgm.uk.net

Webová stránka: www.fgm.uk.net

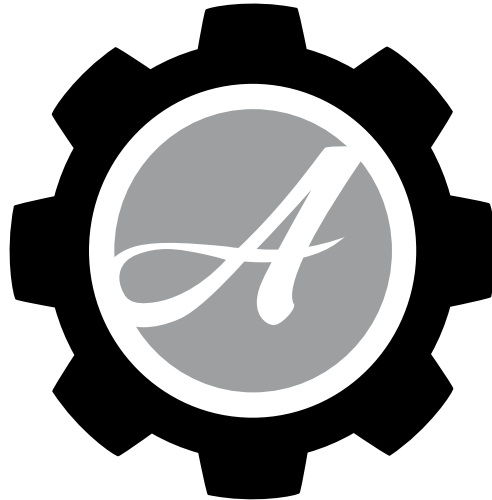
Časti Depot (Groundscare) LTD

Telefón: 011-44-1282-860444

Fax: 011-44-1282-860.555

Email: chris@ggmgroundscare.co.uk

Webová stránka: www.ggmgroundscare.com



ARIENS

Phone: 888-927-4367 • www.ariens.com