

# GAS GRILL

## MODEL

468101115

468201115



- |                |  |                                    |
|----------------|--|------------------------------------|
| (IE) (GB)      | Operating Instructions, 2-5            | Assembly Instructions, 70-91       |
| (CH) (FR)      | Mode d'emploi, 6-9                     | Instructions d'assemblage, 70-91   |
| (AT) (CH) (DE) | Betriebsanweisungen, 10-13             | Montageanweisungen, 70-91          |
| (CH) (IT)      | Istruzioni per l'uso, 14-17            | Istruzioni per il montaggio, 70-91 |
| (LU) (BE) (NL) | Gebruiksaanwijzingen, 18-21            | Montage-instructies, 70-91         |
| (SE)           | Användning, 22-25                      | Montering, 70-91                   |
| (FI)           | Käyttöohjeet, 26-29                    | Kokoamisohjeet, 70-91              |
| (ES)           | Instrucciones de funcionamiento, 30-33 | Instrucciones de armado, 70-91     |
| (PT)           | Instruções para Operação, 34-37        | Instruções para Montagem, 70-91    |
| (DK)           | Brugsanvisning, 38-41                  | Monteringsvejledning, 70-91        |
| (NO)           | Instruksjoner for bruk, 42-45          | Imontering, 70-91                  |
| (SK)           | Návod na používanie, 46-49             | Návod na montáž, 70-91             |
| (IS)           | Notkunarlæðbeiningar, 50-53            | Smalamálsskipana, 70-91            |
| (RO)           | Mnual de operatii, 54-57               | Instrucțiuni de asamblare, 70-91   |
| (CZ)           | Návod k obsluze, 58-61                 | Montážní návod, 70-91              |
|                | Instrukcje obsługi, 62-65              | Instrukcje montazu, 70-91          |
| (IL)           | הוראות הפעלה, 66-69                    | הוראות הרכבה, 70-91                |



0598-14

**598 CO 412**

## INSTALLER/ASSEMBLER:

Leave this manual with consumer.

## CONSUMER:

Keep this manual for future reference.

## Questions:

If you have questions during assembly or use of this appliance contact your local dealer.



If you smell gas:

1. Shut off gas to the appliance.
2. Extinguish any open flames.
3. Open lid.
4. If odor continues, keep away from the appliance and immediately call your gas supplier or your fire department.



1. Do not store or use petrol or other flammable liquids in the vicinity of this or any other appliance.
2. A gas cylinder not connected for use shall not be stored in the vicinity of this or any other appliance.



- Read and follow all safety statements, assembly instructions and use and care directions before attempting to assemble and cook.
- Some parts may contain sharp edges. Wearing protective gloves is recommended.

### Grease Fires

- Putting out grease fires by closing the lid is not possible. Grills are well ventilated for safety reasons.
- Do not use water on a grease fire, Personal injury may result. If a persistent grease fire develops, turn knobs and gas cylinder off.
- If appliance has not been regularly cleaned, a grease fire can occur that may damage the product. Pay close attention while preheating or burning off food residue to insure that a grease fire does not develop. Follow instructions on General Appliance Cleaning and Cleaning The Burner Assembly to prevent grease fires.
- The best way to prevent grease fires is regular cleaning of the appliance.

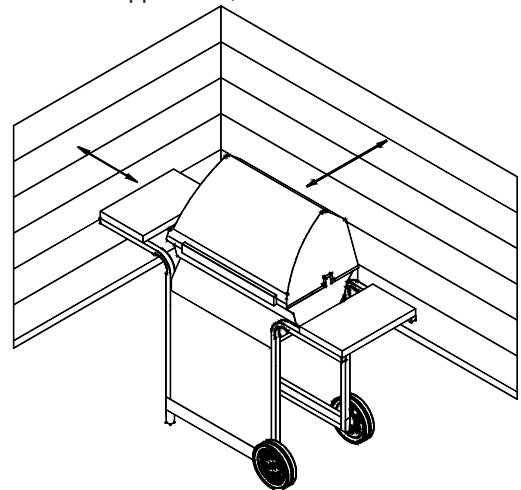


## For Safe Use of Your Appliance and to Avoid Serious Injury:

- **USE OUTDOORS ONLY. NEVER USE INDOORS.**

**Read the instructions before using the appliance. Always follow these instructions.**

- Do not move the appliance during use.
- Accessible parts may be very hot. Keep young children away. Do not let children operate or play near appliance.
- Turn off the gas supply at the cylinder after use.
- This appliance must be kept away from flammable materials during use.
- Do not block holes in sides or back of appliance.
- Check burner flames regularly.
- Do not block venturi openings on burner.
- Use appliance only in well-ventilated space. NEVER use in enclosed space such as carport, garage, porch, covered patio, or under an overhead structure of any kind.
- Do not use charcoal or ceramic briquets in a gas appliance.
- **DO NOT** cover grates with aluminum foil or any other material. This will block burner ventilation and create a potentially dangerous condition resulting in property damage and/or personal injury.
- **Use appliance at least 1 m from any wall or surface.** Maintain 3 m clearance to objects that can catch fire or sources of ignition such as pilot lights on water heaters, live electrical appliances, etc.



- NEVER attempt to light burner with lid closed. A buildup of non-ignited gas inside a closed appliance is hazardous.
- Always turn off gas at cylinder and disconnect regulator before moving gas cylinder from specified operating position.
- Never operate appliance with gas cylinder out of correct position specified.
- Do not modify the appliance. Any modifications is strictly prohibited. Sealed parts are not to be manipulated by the user. Do not disassemble injectors.

## Safety Tips

- Before opening gas cylinder valve, check the regulator for tightness.
- When appliance is not in use, turn off all control knobs and gas.
- Use long-handled barbecue utensils and oven mitts to avoid burns and splatters. Use protective gloves when handling hot components.
- Maximum load for hotplate and side shelf is 4.5 Kg. Cooking vessel minimum dia 200mm and maximum dia. 260 mm.
- The grease cup (if equipped) must be inserted into appliance and emptied after each use. Do not remove grease cup until appliance has completely cooled.
- Be very careful when you open the lid, since hot steam may escape.
- Be very careful when children, the elderly, or pets are nearby.
- If you notice grease or other hot material dripping from appliance onto valve, hose or regulator, turn off gas supply at once. Determine the cause, correct it, then clean and inspect valve, hose, and regulator before continuing. Perform a leak test.
- Do not store objects or materials inside the appliance cart enclosure that would block the flow of combustion air to the underside of either the control panel or the firebox bowl.
- DO NOT disconnect or change gas container within 3m of an open flame or other ignition source.

## Cylinder Placement

Cylinder cannot be placed under or in the appliance. Cylinders are to be placed to the side and rear of the appliance. Cylinders are to be a maximum diameter of 310mm and maximum height of 600mm.

## Regulator Requirements

A regulator must be used with this appliance. Use only gas regulator supplied with your barbecue. If a regulator is not supplied then use only regulator certified according to EN12864 or EN16129 (Flow rate max. 1.5 kg/h) and approved for your country and gas specified in Technical Data.

## Hose Requirements

Use only approved hose which is certified to appropriate EN standard and does not exceed 1.5m length. For Finland, the hose length shall not exceed 1.2m.

Before each use, check to see if hoses are cut or worn. Make sure hose is not kinked. Make sure that when connected hose does not touch any warm surfaces. Replace damaged hoses before using appliance. Replace hose as required by national requirements.

## Ignitor Lighting

### • Do not lean over appliance while lighting.

1. Turn gas burner control valves to ○ .
2. Turn ON gas at cylinder.
3. Open lid during lighting.
4. To ignite, turn ignition burner knob to ⚡.
5. Push and hold ELECTRONIC IGNITION button.
6. If ignition does NOT occur in 5 seconds, turn the burner controls ○ , wait 5 minutes and repeat lighting procedure.
7. Light adjacent burners in sequence by pushing knobs in and turning to 🔻 . If ignitor does not work, follow match lighting instructions.



## Match Lighting

### • Do not lean over appliance while lighting.

1. Open lid. Turn on gas at cylinder.
2. Place match into match holder, light match and place next to burner ports. (Holder maybe on left or right side.)
3. Push in and turn burner knob to 🔻 for burner being lit. Be sure burner lights and stays lit.
4. Light adjacent burners in sequence by pushing knobs in and turning to 🔻 .

## Hotplate Ignitor Lighting

### • Do not lean over appliance while lighting.


1. Open hotplate lid. Turn on gas at cylinder.
2. Turn hotplate knob to 🔻 , push and hold ELECTRONIC IGNITOR button.
3. If hotplate does NOT light, turn knob to ○ , wait 5 minutes, then repeat lighting procedure.

## Hotplate Match Lighting

1. Open hotplate lid. Turn on gas at cylinder.
2. Place lit match near burner.
3. Turn hotplate knob to 🔻 . Be sure burner lights and stays lit.

## Leak Testing Valves, Hose and Regulator

Leak test before first use, at least once a year, and every time the cylinder is changed or disconnected.

1. Turn all appliance control knobs to  .
2. Be sure regulator is tightly connected to gas cylinder.
3. Turn on Gas. If you hear a rushing sound, turn gas off immediately. There is a major leak at the connection. Correct before proceeding.
4. Brush soapy solution (mixture of half soap and half water) onto hose connections.
5. If growing bubbles appear, there is a leak. Turn off gas at cylinder immediately and check tightness of connections. If leak cannot be stopped do not try to repair. Call for replacement parts.
6. Always turn off gas at cylinder after performing leak test.

## IF APPLIANCE FAILS TO LIGHT

Make sure gas is turned on at cylinder.  
Make sure there is gas in the cylinder.

Does the ignitor make a sparking noise?

If yes check for spark at burner.

If no spark check for damaged or loose wires.

If wires are OK check for cracked or broken electrode, replace if needed.

If wire or electrodes are covered by cooking residue, clean electrode tip with alcohol wipe if needed.

If needed replace wires.

If no sound check battery.

Make sure battery is installed correctly.

Check for loose wire connection at module and switch.

If ignitor continues to not work then use match.



# CAUTION



## SPIDER ALERT!

### SPIDER AND WEBS INSIDE BURNER



If your barbeque is getting hard to light or the flame is weak, check and clean the venturis and burners.

Spiders or small insects are known to create “flashback” problems by building nests and laying eggs in the barbeque’s venturi or burner obstructing the flow of gas. The backed-up gas can ignite behind the control panel. This flashback can damage your barbeque and cause injury. To prevent flashbacks and ensure good performance, the burner and venturi tube assembly should be removed and cleaned whenever the barbeque has been idle for an extended period of time.



### Environmental protection

Discarded electric appliances are recyclable and should not be discarded in the domestic waste! Please actively support us in conserving resources and protecting the environment by returning this appliance to the collection centres (if available).

## TECHNICAL DATA

Char-Broil, LLC				
Appliance Name	Gas Barbeque/Gas Grill			
Total Nominal	14 kW (1 018g/h)			
Gas Category	I3+(28-30/37)	I3B/P(30)	I3B/P(50)	
Model No.	468201115		468101115	
Gas Type	Butane	Propane	Butane, Propane or their mixtures	Butane, Propane or their mixtures
Gas Pressure	28-30 mbar	37 mbar	28-30 mbar	50 mbar
Injector Size (Dia. Mm)	Grill: 0,91 x 4 Pcs		Grill: 0,91 x 4 pcs	Grill: 0,81 x 4 pcs
	Hotplate: 0,75		Hotplate: 0,75	Hotplate: 0,64
Destination of countries	GB, FR, IE, BE, ES, IT, PT, CZ		DK, NO, NL, SE, FI, RO, IS, CZ, IT	AT, DE, SK, CH, LU



## Cleaning the Burner Assembly

Follow these instructions to clean and/or replace parts of burner assembly or if you have trouble igniting appliance.

1. Turn gas off at control knobs and cylinder.
2. Remove cooking grates, flame tamers, carryover tubes and burners.
3. Detach electrode from burner.
4. Carefully lift each burner up and away from valve openings.
5. We suggest three ways to clean the burner tubes. Use the one easiest for you.

(A) Bend a stiff wire (a light weight coat hanger works well) into a small hook. Run the hook through each burner tube several times.



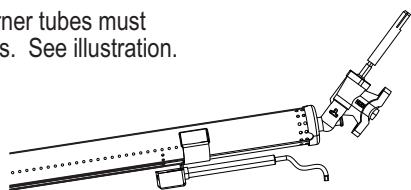
(B) Use a narrow bottle brush with a flexible handle (do not use a brass wire brush), run the brush through each burner several times.

(C) Wear eye protection: Use an air hose to force air into burner tube and out burner ports. Check each port to make sure air comes out each hole.

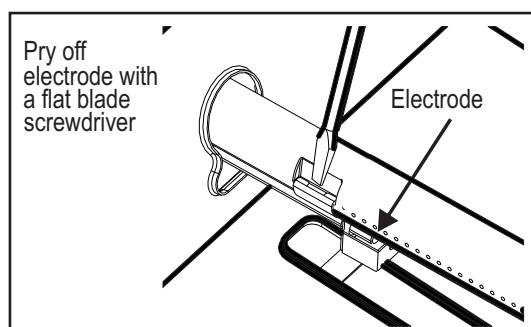
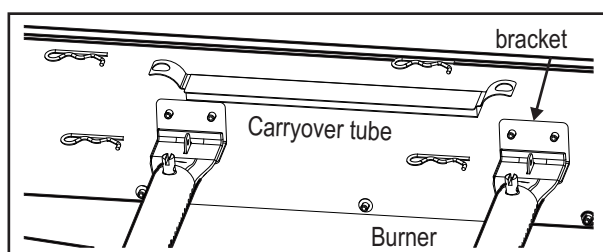
6. Wire brush entire outer surface of burner to remove food residue and dirt.
7. Clean any blocked ports with a stiff wire such as an open paper clip.
8. Check burner for damage, due to normal wear and corrosion some holes may become enlarged. If any large cracks or holes are found, replace burner.

VERY IMPORTANT: Burner tubes must reengage valve openings. See illustration.

### Correct burner-to-valve engagement



9. Attach electrode to burner.
10. Carefully replace burners.
11. Attach burners to brackets on firebox.
12. Reposition carryover tubes and attach to burners.  
Replace flame tamers and cooking grates.



## Storing Your Appliance

- Clean cooking grates.
- Store in dry location.
- When gas cylinder is connected to appliance, store outdoors in a well-ventilated space and out of reach of children.
- Cover appliance if stored outdoors.
- Store appliance indoors ONLY if gas cylinder is turned off and disconnected, removed from appliance and stored outdoors.
- When removing appliance from storage check for burner obstructions.

## General Appliance Cleaning

- Clean appliance often, preferably after each cookout. If a bristle brush is used to clean any of the appliance cooking surfaces, ensure no loose bristles remain on cooking surfaces prior to grilling. It is not recommended to clean cooking surface while appliance is hot. Appliance should be cleaned at least once a year.
- Do not mistake brown or black accumulation of grease and smoke for paint. Interiors of gas grills are not painted at the factory (and should never be painted). Apply a strong solution of detergent and water or use a appliance cleaner with scrub brush on insides of appliance lid and bottom. Rinse and allow to completely air dry. Do not apply caustic appliance/oven cleaner to painted surfaces.
- Plastic parts: Wash with warm soapy water and wipe dry.
  - Do not use citrisol, abrasive cleaners, degreasers or a concentrated appliance cleaner on plastic parts. Damage to and failure of parts can result.
- Porcelain surfaces: Because of glass-like composition, most residue can be wiped away with baking soda/water solution or specially formulated cleaner. Use nonabrasive scouring powder for stubborn stains.
- Painted surfaces: Wash with mild detergent or nonabrasive cleaner and warm soapy water. Wipe dry with a soft nonabrasive cloth.
- Stainless steel surfaces: To maintain your appliance's high quality appearance, wash with mild detergent and warm soapy water and wipe dry with a soft cloth after each use. Baked-on grease deposits may require the use of an abrasive plastic cleaning pad. Use only in direction of brushed finish to avoid damage. Do not use abrasive pad on areas with graphics.
- Cooking surfaces: If a bristle brush is used to clean any of the appliance cooking surfaces, ensure no loose bristles remain on cooking surfaces prior to grilling. It is not recommended to clean cooking surfaces while appliance is hot.

## INSTALLER/ASSEMBLER :

Laissez ce manuel au consommateur.

## CONSOmmATEUR :

Conservez ce manuel aux fins de référence future.

### Questions :

Si vous avez des questions lors de l'assemblage ou l'utilisation de cet appareil contactez votre revendeur local.



Si vous sentez du gaz :

1. Coupez le gaz sur l'appareil.
2. Éteignez les flammes apparentes.
3. Ouvrez le couvercle.
4. Si l'odeur persiste, éloignez-vous de l'appareil et appelez immédiatement votre fournisseur de gaz ou les pompiers.



1. N'entreposez pas ni n'utilisez d'essence ou d'autres liquides inflammables à proximité de cet appareil ou de tout autre appareil.
2. Une bouteille de gaz non connectée pour une utilisation ne doit pas être stockée à proximité de cet appareil ou de tout autre appareil.



- Lisez et suivez toutes les consignes de sécurité, les instructions de montage et d'utilisation ainsi que les directives d'entretien avant d'essayer d'assembler et d'effectuer une cuisson.
- Certaines pièces peuvent comporter des bords tranchants. Le port de gants de protection est recommandé.

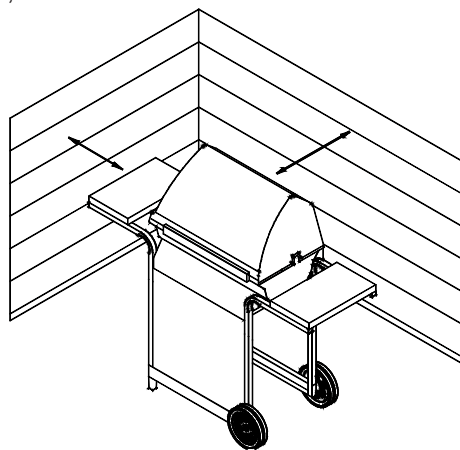
### Feux de graisse

- L'extinction de feux de graisse en fermant le couvercle n'est pas possible. Les grilles sont bien ventilées pour des raisons de sécurité.
- N'utilisez pas d'eau sur un feu de graisse, des dommages corporels peuvent en résulter. Si un feu de graisse persistant se développe, fermez les boutons et la bouteille de gaz.
- Si l'appareil n'a pas été nettoyé régulièrement, un feu de graisse peut se produire pouvant endommager le produit. Portez une attention particulière lors du préchauffage ou du brûlage de résidus d'aliments pour éviter qu'un feu de graisse ne se développe. Suivez les instructions concernant le nettoyage général de l'appareil et le nettoyage de l'ensemble du brûleur pour éviter les feux de graisse.
- La meilleure façon pour éviter les feux de graisse consiste à procéder régulièrement au nettoyage de l'appareil.



**Pour une utilisation sûre de votre appareil et pour éviter des blessures graves :**

- **UTILISEZ UNIQUEMENT À L'EXTÉRIEUR. N'UTILISEZ JAMAIS EN INTÉRIEUR.**
- Lisez les instructions avant d'utiliser l'appareil. Suivez toujours ces instructions.
- Ne déplacez pas l'appareil en cours d'utilisation.
- Les éléments accessibles peuvent être très chauds. Éloignez les jeunes enfants. Ne laissez pas les enfants utiliser l'appareil ou jouer à proximité.
- Coupez l'alimentation de gaz de la bouteille après utilisation.
- Cet appareil doit être tenu à l'écart des matières inflammables pendant son utilisation.
- Ne bloquez pas les orifices sur les côtés ou à l'arrière de l'appareil.
- Vérifiez régulièrement les flammes du brûleur.
- N'obstruez pas les ouvertures d'injection du brûleur.
- Utilisez l'appareil uniquement dans un espace bien ventilé. NE JAMAIS l'utiliser dans un espace clos tel qu'un abri-garage, un garage, une véranda, une terrasse couverte ou sous une structure aérienne d'aucune sorte.
- N'utilisez pas de charbon de bois ou briquettes en céramique dans un appareil à gaz.
- NE couvrez PAS les grilles avec du papier d'aluminium ou tout autre matériau. Cela obstrue la ventilation du brûleur et crée une situation potentiellement dangereuse risquant d'entraîner des dommages matériels et / ou corporels.
- Utilisez l'appareil à au moins 1 m d'un mur ou d'une surface. Maintenez 3 m de distance avec des objets pouvant prendre feu ou des sources de combustion telles que veilleuses de chauffe-eaux, appareils électriques en fonction, etc.



- NE tentez JAMAIS tenter d'allumer le brûleur avec le couvercle fermé. Une accumulation de gaz non enflammé à l'intérieur d'un appareil fermé est dangereuse.
- Coupez toujours le gaz de la bouteille et débranchez le régulateur avant de déplacer la bouteille de gaz de sa position de fonctionnement spécifiée.
- N'utilisez jamais l'appareil avec une bouteille de gaz se trouvant hors de la position correcte spécifiée.
- Ne modifiez pas l'appareil. Toute modification est strictement interdite. Les parties scellées ne doivent pas être manipulées par l'utilisateur. Ne démontez pas les injecteurs.

## Conseils de sécurité

- Avant d'ouvrir la valve de la bouteille de gaz, vérifiez l'étanchéité du régulateur.
- Lorsque l'appareil n'est pas utilisé, fermez tous les boutons de contrôle et de gaz.
- Utilisez des ustensiles de cuisson à long manche et des gants à four pour éviter les brûlures et les projections. Utilisez des gants de protection lors de la manipulation des composants chauds.
- La charge maximale pour la plaque chauffante et la tablette latérale est de 4,5 kg. Le diamètre minimum d'un récipient de cuisson est de Ø 200 mm et au maximum de 260 mm.
- Le bac à graisse (si l'appareil en est doté) doit être inséré dans l'appareil et vidé après chaque utilisation. Ne retirez pas le bac à graisse tant que l'appareil n'est pas complètement refroidi.
- Soyez très prudent lorsque vous ouvrez le couvercle, car de la vapeur brûlante peut s'en échapper.
- Soyez très prudent lorsque des enfants, des personnes âgées ou des animaux se trouvent à proximité.
- Si vous remarquez de la graisse ou une autre matière chaude s'écoulant de l'appareil vers la valve, le tuyau ou le régulateur, coupez immédiatement l'alimentation de gaz. Déterminez la cause, corrigez-la, puis nettoyez et inspectez la valve, le tuyau et le régulateur avant de continuer. Effectuez un test de fuite.
- Maintenez les orifices de l'enceinte de la bouteille (chariot de l'appareil) libres et exempts de débris.
- Ne stockez pas d'objets ou de matériaux à l'intérieur du chariot de l'appareil qui pourraient obstruer le flux d'air de combustion en dessous du panneau de commande ou de la cuvette de la chambre de combustion.
- NE débranchez PAS ni NE modifiez le réservoir de gaz dans les 3 m d'une flamme nue ou d'une autre source de combustion.

### Positionnement de la bonbonne

La bonbonne ne peut pas être placée sous ou dans l'appareil. Les bonbonnes doivent être placées sur le côté et à l'arrière de l'appareil. Les bonbonnes doivent présenter un diamètre maximum de 310 mm et une hauteur maximale de 600 mm.

### Normes et exigences de régulateur

Un régulateur doit être utilisé avec cet appareil. N'utilisez que le régulateur de gaz fourni avec votre barbecue. Si un régulateur n'est pas fourni, utilisez alors uniquement un régulateur certifié conformément à la norme EN12864 ou EN 16129 (débit max. 1,5 kg / h) et approuvé pour votre pays et au gaz indiqué dans les données techniques.

### Exigences de tuyau

N'utilisez qu'un tuyau approuvé qui est certifié à la norme EN appropriée et ne dépassant pas 1,5 m de longueur. Pour la Finlande, la longueur du tuyau ne doit pas dépasser 1,2 m.

Avant chaque utilisation, vérifiez si les tuyaux sont coupés ou usés. Vérifiez que le tuyau n'est pas tordu. Assurez-vous que lorsque le tuyau est connecté qu'il ne soit pas en contact avec des surfaces chaudes. Remplacez les tuyaux endommagés avant d'utiliser l'appareil. Remplacez le tuyau tel que le requièrent les exigences nationales.

## Allumage de l'allumeur

### • Ne vous penchez pas sur l'appareil lors de l'allumage.

1. Positionnez les valves de contrôle du brûleur sur ○.
2. Activez (ON) le gaz de la bouteille.
3. **Ouvrez le couvercle durant l'allumage.**
4. Pour allumer, tournez le bouton d'allumage du brûleur sur ↗.
5. Appuyez sur le bouton **ALLUMAGE ÉLECTRONIQUE** et maintenez-le enfoncé.
6. Si l'allumage ne se produit pas dans les 5 secondes, tournez les commandes du brûleur ○, attendez 5 minutes et répétez la procédure d'allumage.
7. Allumez les brûleurs adjacents successivement en poussant et en tournant les boutons sur ↓. Si l'allumeur ne fonctionne pas, suivez les instructions d'allumage avec une allumette.



Fermez les commandes et la bouteille de gaz lorsque l'appareil n'est pas en cours d'utilisation.

## Allumage avec une allumette

### • Ne vous penchez pas sur l'appareil lors de l'allumage.

1. **Ouvrez le couvercle.** Activez (ON) le gaz de la bouteille.
2. Placez l'allumette dans le porte-allumette, allumez-la et placez-la près des orifices du brûleur. (Le porte-allumette peut être à gauche ou à droite.)
3. Poussez et tournez le bouton du brûleur ↓ pour l'allumer. Veillez à ce que le brûleur s'allume et reste allumé.
4. Allumez les brûleurs adjacents successivement en poussant et en tournant les boutons sur ↓.

## Allumage de l'allumeur de la plaque chauffante

### • Ne vous penchez pas sur l'appareil lors de l'allumage.

1. **Ouvrez le couvercle de la plaque chauffante.** Activez (ON) le gaz de la bouteille.
2. Tournez le bouton de la plaque chauffante ↓, appuyez et maintenez enfoncé le bouton de l'ALLUMEUR ÉLECTRONIQUE.
3. Si la plaque chauffante ne s'allume PAS, tournez le bouton ○ et patientez 5 minutes, puis répétez la procédure d'allumage.

## Allumage avec une allumette de la plaque chauffante

1. **Ouvrez le couvercle de la plaque chauffante.** Activez (ON) le gaz de la bouteille.
2. Placez une allumette allumée près du brûleur.
3. Tournez le bouton ↓ de la plaque chauffante afin de s'assurer à ce que le brûleur est et reste allumé.

## Test de fuite des vannes, du flexible et du régulateur

Effectuez un test de fuite avant la première utilisation, au moins une fois par an, et chaque fois que la bonbonne est changée ou déconnectée.

1. Tournez tous les boutons de contrôle de l'appareil sur O.
2. Assurez-vous que le régulateur est branché fermement à la bouteille de gaz.
3. Ouvrez (ON) le gaz. Si vous entendez *un chuintement*, fermez immédiatement le gaz. Le branchement présente une fuite importante. **Corrigez avant de procéder.**
4. Passez une solution savonneuse (mélange d'eau et de savon à 50%) sur les branchements du tuyau et les zones entourées ci-dessous.
5. Si des bulles *apparaissent*, il y a une fuite. Coupez le gaz de la bouteille immédiatement et vérifiez le serrage des connexions. Si la fuite ne peut pas être arrêtée, n'essayez pas de la réparer. Contactez votre revendeur pour obtenir des pièces de rechange.
6. Coupez toujours le gaz de la bouteille après avoir effectué un test de fuite.

## SI L'APPAREIL NE S'ALLUME PAS

Vérifiez que le gaz est activé sur la bouteille.  
Vérifiez qu'il y a du gaz dans la bouteille.

Est-ce que l'allumeur fait un bruit d'étincelles ?

Si oui, vérifiez l'étincelle sur le brûleur.

Si il n'y a aucune étincelle, vérifiez si les fils sont endommagés ou desserrés.

Si les fils sont corrects, vérifiez si l'électrode est fissurée ou brisée, remplacez-la si nécessaire.

Si les fils ou les électrodes sont recouverts par des résidus de cuisson, nettoyez l'extrémité de l'électrode avec un tissu imbibé d'alcool, si nécessaire.

Si nécessaire, remplacez les fils.

Si il n'y a aucun son, vérifiez la pile.

Assurez-vous que la pile est correctement installée.

Vérifiez si la connexion du fil est lâche sur le module et le commutateur.

Si l'allumeur ne fonctionne toujours pas, utilisez une allumette.

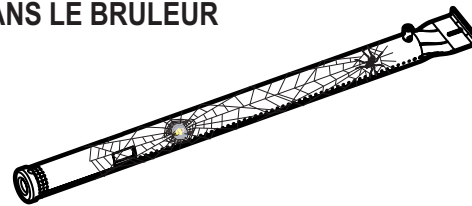


# PRÉCAUTION



## ALERTE AUX ARAIGNÉES !

### ARAIGNÉES ET TOILES DANS LE BRULEUR



Si votre barbecue devient difficile à allumer ou si la flamme est faible, vérifiez et nettoyez les ouvertures d'injection et les brûleurs.

Les araignées ou de petits insectes sont connus pour créer des problèmes de "retour de flamme" en construisant des nids et en pondant des œufs dans les ouvertures d'injection ou dans le brûleur du barbecue en obstruant le flux de gaz. Le gaz retenu peut s'enflammer derrière le panneau de commandes. Ce retour de flamme peut endommager votre barbecue et provoquer des blessures. Pour éviter les retours de flamme et garantir de bonnes performances, le brûleur et l'ensemble du tube des ouvertures d'injection doivent être retirés et nettoyés chaque fois que le barbecue a été inutilisé pendant une longue période.

## DONNÉES TECHNIQUES

Char-Broil, LLC				
Dénomination de l'appareil	Barbecue au gaz/Gril au gaz			
Total nominal	14 kW (1 018g/h)			
Catégorie de gaz	I3+(28-30/37)	I3B/P(30)	I3B/P(50)	
Modèle n°	468201115		468101115	
Type de gaz	Butane	Propane	Butane, propane ou leurs mélanges	Butane, propane ou leurs mélanges
Pression du gaz	28-30 mbar	37 mbar	28-30 mbar	50 mbar
Dimensions de l'injecteur (dia. mm)	Gril : 0,91 x 4 pièces		Gril : 0,91 x 4 pièces	Gril : 0,81 x 4 pièces
	Plaque chauffante : 0,75		Plaque chauffante : 0,75	Plaque chauffante : 0,64
Destination de pays	GB, FR, IE, BE, ES, IT, PT, CZ		DK, NO, NL, SE, FI, RO, IS, CZ, IT	AT, DE, SK, CH, LU



## Nettoyage de l'ensemble du brûleur

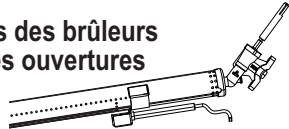
Suivez ces instructions pour nettoyer et / ou remplacer les pièces du brûleur ou si vous rencontrez des difficultés à allumer l'appareil

1. Fermez le gaz avec les boutons de contrôle et sur la bouteille.
2. Retirez les grilles de cuisson, les protecteurs de flammes, les tubes de répartition et les brûleurs.
3. Détachez l'électrode du brûleur.
4. Levez avec précaution chaque brûleur et écartez-le des ouvertures de la valve.
5. Nous suggérons trois méthodes pour nettoyer les tubes du brûleur. Utilisez celle qui est la plus facile pour vous.  
**(A)** Courbez un fil rigide (un cintre léger est tout à fait adapté) dans un petit crochet. Faites passer le crochet à travers chaque tube de brûleur à plusieurs reprises.



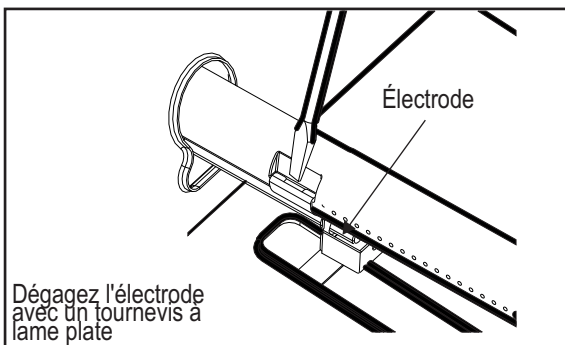
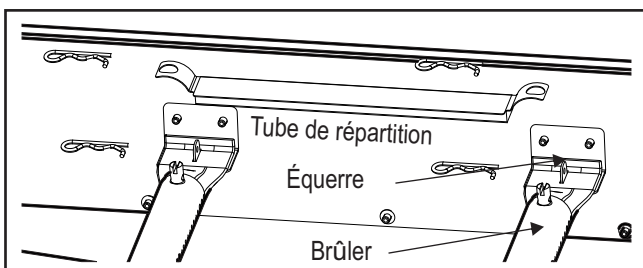
- (B)** Utiliser un goupillon étroit avec une poignée souple (ne pas utiliser une brosse en laiton), faites passer la brosse à travers chaque brûleur à plusieurs reprises.
  - (C)** Portez des lunettes de protection : Utilisez un tuyau à air pour forcer l'air dans le tube du brûleur et ses orifices. Vérifiez chaque orifice pour vous assurer que l'air s'échappe de chaque trou.
6. Frottez avec une brosse métallique toute la surface externe du brûleur pour retirer les résidus alimentaires et la saleté.
  7. Nettoyez tous les orifices obstrués avec un fil rigide tel qu'un trombone déplié.
  8. Vérifiez si le brûleur est endommagé en raison de l'usure normale et de la corrosion, certains trous peuvent s'être agrandis. Si vous constatez la présence de fissures ou de trous, remplacez le brûleur.

**TRÈS IMPORTANT : les tubes des brûleurs doivent se réengager dans les ouvertures de la valve. Voir illustration.**



### Engagement brûleur – valve correct

9. Fixez l'électrode au brûleur
10. Remettez en place avec précaution les brûleurs.
11. Fixez les brûleurs aux supports de la chambre de combustion.
12. Repositionnez les tubes de répartition et fixez-les aux brûleurs. Remettez en place les protecteurs de flammes et les grilles de cuisson.



## Stockage de votre appareil

- Nettoyez les grilles de cuisson.
- Entrez dans un endroit sec.
- Lorsqu'une bouteille de gaz est connectée à l'appareil, stockez-le à l'extérieur dans un espace bien aéré et hors de portée des enfants.
- Recouvrez l'appareil s'il est stocké à l'extérieur.
- Stockez l'appareil à l'intérieur SEULEMENT si la bouteille de gaz est fermée, déconnectée et retirée de l'appareil et entreposée à l'extérieur.
- Lorsque vous retirez l'appareil du stockage, vérifiez la présence d'éventuelles obstructions du brûleur.

## Nettoyage général de l'appareil

- Nettoyez souvent l'appareil, de préférence après chaque barbecue. Si une brosse est utilisée pour nettoyer les surfaces de cuisson de l'appareil, assurez-vous qu'aucun poil ne reste sur les surfaces de cuisson avant de faire une grillade. Il est déconseillé de nettoyer la surface de cuisson lorsque l'appareil est chaud. L'appareil doit être nettoyé au moins une fois par an.
- Ne confondez pas l'accumulation du marron ou du noir provenant des graisses et de la fumée à de la peinture. Les parties intérieures des barbecues à gaz ne sont pas peintes à l'usine (**et ne doivent jamais être peintes**). Appliquez une solution concentrée de détergent et d'eau ou utilisez un nettoyant pour appareil avec une brosse à récurer sur les surfaces internes et inférieures du couvercle de l'appareil. Rincez et laissez sécher complètement à l'air. N'appliquez pas de produits caustiques pour appareil/four sur les surfaces peintes.
- **Parties en plastique** : lavez à l'eau chaude savonneuse et essuyez pour sécher.
- N'utilisez pas de citrisol, ni de nettoyants abrasifs, dégraissants ou nettoyant concentré d'appareil sur les pièces en plastique. Les pièces risquent d'être endommagées et déformées.
- **Surfaces en porcelaine** : en raison de la composition ressemblant à du verre, la plupart des résidus peuvent être nettoyés à l'aide d'une solution de bicarbonate de soude / eau ou d'un nettoyant avec une formule spéciale. Utilisez une poudre à récurer non abrasive pour les taches tenaces.
- **Surfaces peintes** : lavez avec un détergent doux ou un nettoyant non abrasif et de l'eau chaude savonneuse. Séchez avec tissu doux non abrasif.
- **Surfaces en acier inoxydable** : pour conserver l'apparence de haute qualité de votre appareil, lavez avec un détergent doux et de l'eau chaude savonneuse, et essuyez avec un chiffon doux après chaque utilisation. Les dépôts de graisses brûlées peuvent nécessiter l'utilisation d'un tampon de nettoyage en plastique abrasif. Utilisez uniquement dans le sens de la finition brossée pour éviter tout dommage. N'utilisez pas de tampon abrasif sur les zones avec des graphiques.
- **Surfaces de cuisson** : si une brosse est utilisée pour nettoyer les surfaces de cuisson de l'appareil, assurez-vous qu'aucun poil ne reste sur les surfaces de cuisson avant de faire une grillade. Il est déconseillé de nettoyer les surfaces de cuisson lorsque l'appareil est chaud.



## INSTALLATEURE/MONTEURE:

Geben Sie dieses Handbuch an den Verbraucher weiter.

## VERBRAUCHER:

Bewahren Sie dieses Handbuch für zukünftige Informationen auf.

### Fragen:

Wenn Sie Fragen während der Montage oder des Gebrauchs dieses Geräts haben, kontaktieren Sie bitte einen Händler in Ihrer Nähe.



Wenn Sie Gas riechen:

1. Schalten Sie die Gaszufuhr zum Gerät ab.
2. Löschen Sie alle offenen Flammen.
3. Öffnen Sie den Deckel.
4. Sollte der Geruch weiterhin auftreten, entfernen Sie sich vom Gerät und rufen sofort Ihren Gaslieferanten oder die Feuerwehr.



1. Bewahren Sie kein Benzin oder andere brennbare Flüssigkeiten in der Umgebung dieses oder anderen Geräten auf oder verwenden Sie diese in dessen Nähe.
2. Ein Gasbehälter (z.B. Gasflasche), der nicht für den Gebrauch angeschlossen ist, sollte nicht in der Umgebung dieses oder anderen Geräten aufbewahrt werden.



- Lesen und folgen Sie allen Sicherheitsangaben und Montageanweisungen; benutzen und achten Sie auf alle Richtlinien, bevor Sie versuchen, das Gerät zu montieren und damit zu kochen.
- Einige Teile können scharfe Kanten enthalten. Es wird empfohlen Schutzhandschuhe zu tragen.

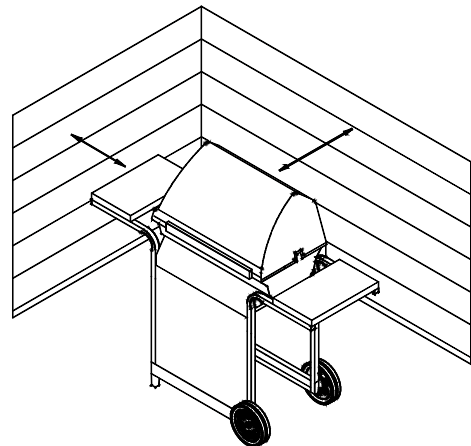
### **Brände von Speisefetten**

- Brände von Speisefetten können unmöglich durch Schließen des Deckels gelöscht werden. Grillgeräte sind aus Sicherheitsgründen gut belüftet.
- Benutzen Sie kein Wasser auf einem Schmierfettfeuer, da dies zu Personenverletzungen führen kann. Sollte sich ein beharrliches Schmierfettfeuer entwickeln, drehen Sie die Knöpfe und Gasbehälter zu.
- Wenn das Gerät nicht regelmäßig gereinigt wurde, kann ein Brand durch Schmierfett entstehen, wodurch das Produkt beschädigt werden kann. Seien Sie sehr vorsichtig beim Vorwärmen oder Verbrennen von Speiserückständen, um zu verhindern, dass sich ein Schmierfettfeuer entwickelt. Folgen Sie den Anweisungen zur Allgemeinen Gerätereinigung und zur Reinigung der Brennvorrichtung, um ein Schmierfettfeuer zu verhindern.
- Der beste Weg, Schmierfettfeuer zu vermeiden, ist die regelmäßige Reinigung des Geräts.



### Für den sicheren Gebrauch Ihres Geräts und zur Vermeidung von ernsthaften Verletzungen:

- **NUR IM FREIEN BENUTZEN. NIEMALS IN GEBÄUDEN BENUTZEN.**
- Lesen Sie die Anweisungen, bevor Sie das Gerät benutzen. Folgen Sie immer diesen Anweisungen.
- Bewegen Sie nicht das Gerät während des Gebrauchs.
- Zugängliche Teile können sehr heiß werden. Halten Sie kleine Kinder fern. Lassen Sie Kinder nicht das Gerät bedienen oder in dessen Nähe spielen.
- Schalten Sie die Gasversorgung am Behälter nach Gebrauch ab.
- Dieses Gerät muss während des Gebrauchs fern von brennbaren Materialien gehalten werden.
- Verschließen Sie keine Löcher in den Seiten oder in der Rückseite des Geräts.
- Kontrollieren Sie die Flammen des Brenners regelmäßig.
- Behindern Sie nicht die Luftöffnungen (Luftrichter) am Brenner.
- Benutzen Sie das Gerät nur an gut belüfteten Plätzen. Benutzen Sie es NIE in geschlossenen Plätzen wie zum Beispiel Garagenstellplätzen, Garagen, Vorhallen, bedeckten Terrassen oder unter hoch liegenden Strukturen jeglicher Art.
- Benutzen Sie keine Holzkohle oder keramische Briketts in einem Gasgerät.
- Bedecken Sie **NICHT** die Roste mit Aluminiumfolie oder anderem Material. Dies wird die Brennerbelüftung hemmen und möglicherweise eine gefährliche Bedingung schaffen, die zu Eigentums- und/oder Personenschäden führen kann.
- **Benutzen Sie das Gerät mind. 1 m von Wänden oder anderen Oberflächen entfernt.** Halten Sie 3 m Abstand zu Objekten, die sich entflammen oder Feuerquellen darstellen können, wie zum Beispiel Pilotlichter auf Wasserkochern, elektrische Geräte usw.



- Versuchen Sie NIEMALS den Brenner mit geschlossenem Deckel anzuzünden. Eine Anhäufung von nicht angezündetem Gas innerhalb eines geschlossenen Geräts ist höchst gefährlich - Explosionsgefahr.
- Schalten Sie immer das Gas am Behälter ab und trennen Sie den Regler ab, bevor Sie den Gasbehälter von einer bestimmten Betriebsposition wegbewegen.
- Bedienen Sie nie das Gerät mit dem Gasbehälter außerhalb der korrekt angegebenen Position.
- Nehmen Sie keine Änderungen am Gerät vor. Jegliche Änderungen sind strengstens verboten. Abgedichtete Teile dürfen nicht durch den Verbraucher manipuliert werden. Zerlegen Sie nicht die Einspritzer.

## Sicherheitstipps

- Vor dem Öffnen des Ventils am Gasbehälter, überprüfen Sie, ob der Regler dicht ist.
- Wenn das Gerät nicht in Gebrauch ist, drehen Sie alle Bedienknöpfe und Gasleitungen zu.
- Benutzen Sie Grillwerkzeuge mit langen Griffen und Ofenhandschuhe, um Brandwunden zu vermeiden. Benutzen Sie Schutzhandschuhe beim Hantieren mit heißen Teilen.
- Die maximale Last für die Herdplatte und das Seitenbrett beträgt 4,5 kg. Kochgefäß: minimaler Durchmesser 200 mm und maximaler Durchmesser 260 mm.
- Das Schmierfetttablett (falls mitgeliefert) muss in das Gerät eingefügt und nach jedem Gebrauch entleert werden. Entfernen Sie nicht das Schmierfetttablett, bevor nicht das Gerät vollständig abgekühlt ist.
- Seien Sie sehr vorsichtig, wenn Sie den Deckel öffnen, da heißer Dampf austreten kann.
- Seien Sie sehr vorsichtig, wenn sich Kinder, ältere Menschen oder Haustiere in der Nähe befinden.
- Wenn Sie bemerken, dass Schmierfett oder anderes heißes Material vom Gerät auf das Ventil, den Schlauch oder den Regler tropft, dann drehen Sie die Gaszufuhr sofort ab. Finden Sie die Ursache, beheben diese, reinigen und prüfen Sie das Ventil, den Schlauch und den Regler, bevor Sie weitermachen. Führen Sie eine Leckprüfung durch.
- Halten Sie die Belüftungsöffnungen im Gehäuse für den Gasbehälter (Gerätewagen) frei und befreien Sie diesen von Ablagerungen.
- Bewahren Sie keine Objekte oder Materialien innerhalb des Gerätewagens auf, die den Abzug von Verbrennungsluft an der Unterseite entweder der elektr. Leitungen oder des Grillgehäuses behindern würden.
- Trennen oder wechseln Sie NICHT den Gasbehälter innerhalb von 3m einer offenen Flamme oder anderer Feuerquellen.

## Unterbringung des Gasbehälters

Der Gasbehälter darf nicht unterhalb oder im Gerät platziert werden. Gasbehälter müssen seitlich und rückwärtig vom Gerät platziert werden. Gasbehälter dürfen einen maximalen Durchmesser von 310mm und eine maximale Höhe von 600mm haben.

## Anforderungen an den Regler

Es muss unbedingt ein Regler mit diesem Gerät verwendet werden. Benutzen Sie nur Gasregler, die mit Ihrem Grillgerät geliefert werden. Sollte kein Regler mitgeliefert werden, dann verwenden Sie nur Regler, die gemäß der Richtlinie EN12864 oder EN16129 (Flussrate max. 1,5 kg/Std.) zertifiziert, in Ihrem Land genehmigt und in den technischen Angaben ausdrücklich für Gas vorgesehen wurde.





## Anforderungen an die Schlauchleitungen

Benutzen Sie nur genehmigte Schläuche, die dem EN-Standard entsprechen und nicht die Länge von 1,5m überschreiten. Für Finnland darf die Schlauchlänge 1,2m nicht überschritten werden.

Vor jedem Gebrauch kontrollieren Sie, ob die Schläuche Risse haben oder abgenutzt sind. Vergewissern Sie sich, dass der Schlauch keine Knickstellen hat. Vergewissern Sie sich, dass der verbundene Schlauch keine warmen Oberflächen berührt. Ersetzen Sie beschädigte Schläuche, bevor Sie das Gerät benutzen. Ersetzen Sie Schläuche gemäß den nationalen Anforderungen.

## Anzünden mit Zündvorrichtung



• **Lehnen Sie sich beim Anzünden nicht über das Gerät.**

1. Drehen Sie die Gasbrenner-Steuerventile auf .
2. Schalten Sie die Gaszufuhr am Gasbehälter ein.
3. **Öffnen Sie den Deckel während des Anzündens.**
4. Zum Anzünden drehen Sie den Knopf der Zündvorrichtung auf .
5. Drücken und halten Sie den Knopf des **ELEKTRONISCHEN ZÜNDERS** gedrückt.
6. Wenn die Zündung NICHT innerhalb von 5 Sekunden erfolgt, drehen Sie die Brennersteuerungen auf , warten 5 Minuten und wiederholen den Zündvorgang.
7. Zünden Sie die angrenzenden Brenner nacheinander an, durch Drücken und Drehen der Bedienknöpfe auf . Wenn der Zünder nicht funktioniert, dann folgen Sie den Anweisungen zum Anzünden mit Zündhölzern.





## Anzünden mit Zündhölzern

• **Lehnen Sie sich beim Anzünden nicht über das Gerät.**

1. **Öffnen Sie den Deckel.** Öffnen Sie die Gaszufuhr am Gasbehälter.
2. Platzieren Sie das Zündholz im Zündholzhalter, zünden das Zündholz an und platzieren es neben die Brennerausgänge. (Der Halter befindet sich auf der linken oder rechten Seite).
3. Drücken und drehen Sie den Bedienknopf für den Brenner in die Position zum Anzünden . Stellen Sie sicher, dass der Brenner brennt und an bleibt.
4. Zünden Sie die angrenzenden Brenner nacheinander an, durch Drücken und Drehen der Bedienknöpfe auf .

## Herdplatte mit Zündvorrichtung anzünden

• **Lehnen Sie sich beim Anzünden nicht über das Gerät.**

1. **Öffnen Sie den Deckel der Herdplatte.** Öffnen Sie die Gaszufuhr am Gasbehälter.
2. Drehen Sie den Knopf für die Herdplatte auf , drücken und halten Sie den Knopf für den ELEKTRONISCHEN ZÜNDER gedrückt.
3. Sollte die Herdplatte NICHT angehen, dann drehen Sie den Knopf auf , warten 5 Minuten und wiederholen den Zündvorgang.

## Herdplatte mit Zündhölzern anzünden

1. **Öffnen Sie den Deckel der Herdplatte.** Öffnen Sie die Gaszufuhr am Gasbehälter.
2. Platzieren Sie ein Zündholz in der Nähe des Brenners.
3. Drehen Sie den Knopf der Herdplatte auf . Stellen Sie sicher, dass der Brenner brennt und an bleibt.

## Überprüfen der Ventile, des Schlauchs und des Reglers auf Gasaustritte

Führen Sie eine Überprüfung auf Gasaustritten mindestens einmal im Jahr und jedes Mal, wenn der Gasbehälter gewechselt oder abgetrennt wurde, durch.

1. Drehen Sie alle Bedienknöpfe des Geräts auf O.
2. Stellen Sie sicher, dass der Regler fest und dicht mit dem Gasbehälter verbunden ist.
3. Drehen Sie das Gas auf. Sollten Sie ein Zischgeräusch hören, dann drehen Sie das Gas sofort wieder zu. Es gibt ein größeres Leck in der Verbindung. **Beheben Sie diesen Fehler, bevor Sie fortfahren.**
4. Geben Sie Seifenschaum (Mischung, bestehend zur Hälfte aus Seife und Wasser) auf die Schlauchverbindungen und die umliegenden Gebiete.
5. Wenn sich die Blasen vergrößern, dann liegt ein Leck vor. Drehen Sie das Gas am Gasbehälter sofort zu und überprüfen Sie, dass alle Anschlüsse abgedichtet sind. Sollte es nicht möglich sein, das Leck zu entfernen, dann versuchen Sie nicht, dieses zu reparieren. Verlangen Sie nach Ersatzteilen.
6. Drehen Sie immer das Gas am Gasbehälter ab, nachdem Sie eine Leckprüfung durchgeführt haben.

## WENN DAS GERÄT NICHT AN GEHT

Vergewissern Sie sich, dass die Gasleitung an der Gasflasche geöffnet ist.

Vergewissern Sie sich, dass die Gasflasche nicht leer ist. Macht der Zünder ein knisterndes Geräusch?

Wenn ja, dann schauen Sie, ob Funken am Brenner entstehen. Wenn keine Funken entstehen, dann schauen Sie nach beschädigten oder losen Drähten.

Wenn die Drähte OK sind, dann kontrollieren Sie, ob die Elektrode gebrochen oder gerissen ist und ersetzen diese wenn nötig.

Wenn Drähte oder die Elektrode mit Kochrückständen bedeckt sind, reinigen Sie die Elektrodenspitze mit einem alkoholgetränkten Tuch wenn nötig.

Sollte es notwendig sein, dann ersetzen Sie die Drähte.

Sollte kein Geräusch entstehen, kontrollieren Sie die Batterie.

Vergewissern Sie sich, dass die Batterie richtig installiert ist.

Überprüfen Sie, ob es lose Drähte am Modul und am Schalter gibt.

Sollte der Zünder weiterhin nicht funktionieren, verwenden Sie Zündhölzer zum Anzünden.



# ACHTUNG



## SPINNENALARM

### SPINNEN UND SPINNWEBEN IM BRENNER



Wenn Ihr Grill schwer anzuzünden oder die Flamme schwach sein sollte, überprüfen und reinigen Sie die Lufttrichter und die Brenner.

Spinnen oder kleine Insekten sind dafür bekannt, „Flammendurchschlag“-Probleme zu verursachen, durch das Bauen von Nestern und das Legen von Eiern in den Lufttrichtern oder im Brenner, wodurch der Gasfluss behindert wird. Das zurückgehaltene Gas kann sich hinter der Schalltafel entzünden. Dieser Flammenrückschlag kann Ihren Grill beschädigen und Verletzungen verursachen. Um Flammenrückschläge zu verhindern und eine gute Leistung zu garantieren, sollte der Brenner und das Lufttrichterrohr entfernt und gereinigt werden, wann immer der Grill für längere Zeit nicht benutzt wurde.

### Hinweise zum Umweltschutz

Alt-Elektrogeräte sind Wertstoffe, sie gehören dahernicht in den Hausmüll!

Wir möchten Sie daher bitten, uns mit Ihrem aktiven Beitrag bei der Ressourcenschonung und beim Umweltschutz zu unterstützen und dieses Gerät bei den-falls vorhanden-eingerichteten Rücknahmestellen abzugeben.

## TECHNISCHE DATEN

Char-Broil, LLC				
Gerätename	Gas-Barbecue/Gasgrill			
Gesamtleistung	14 kW (1 018g/h)			
Gaskategorie	I3+(28-30/37)	I3B/P(30)	I3B/P(50)	
Modell-Nr.	468201115		4681001115	
Gastyp	Butan	Propan	Butan, Propan oder eine Mischung aus beiden	Butan, Propan oder eine Mischung aus beiden
Gasdruck	28-30 mbar	37 mbar	28-30 mbar	50 mbar
Einspritzgröße (Durchm. mm)	Grill: 0,91 x 4 Stück		Grill: 0,91 x 4 Stück	Grill: 0,81 x 4 Stück
	Heizplatte: 0,75		Heizplatte: 0,75	Heizplatte: 0,64
Länderspez. Angaben	GB, FR, IE, BE, ES, IT, PT, CZ		DK, NO, NL, SE, FI, RO, IS, CZ, IT	AT, DE, SK, CH, LU

12



## Reinigen der Brennvorrichtung

Folgen Sie diesen Anweisungen, um Teile der Brennvorrichtung zu reinigen bzw. zu ersetzen, oder wenn Sie Schwierigkeiten mit dem Anzünden des Geräts haben.

1. Stellen Sie die Gaszufuhr an den Bedienknöpfen und an der Gasflasche ab.
2. Entfernen Sie die Grillroste, Flammenverteiler, Übertragungsrohre und Brenner.
3. Lösen Sie die Elektrode vom Brenner.
4. Heben Sie vorsichtig jeden Brenner hoch und weg von den Ventilöffnungen.
5. Wir schlagen drei Wege vor, wie Sie die Brennerrohre reinigen. Verwenden Sie den, der für Sie am leichtesten ist.  
**(A)** Biegen Sie einen steifen Draht (ein leichter Kleiderbügel geht auch) zu einem kleinen Haken. Fahren Sie mit dem Haken mehrere Male durch jedes Brennerrohr.



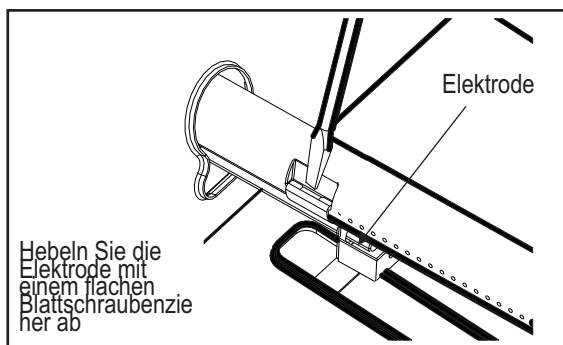
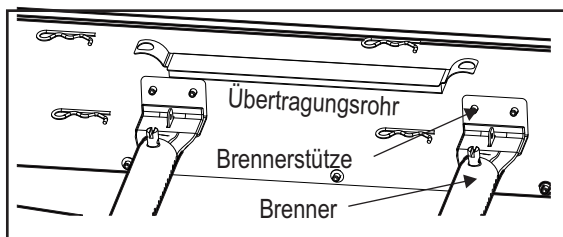
- (B)** Benutzen eine enge Flaschenbürste mit einem flexiblen Griff (benutzen Sie keine Messingdrahtbürste); fahren Sie mit der Bürste mehrere Male durch jeden Brenner.
  - (C)** Tragen Sie einen Augenschutz: Benutzen Sie einen Luftschlauch, um Luft in das Brennerrohr und aus den Brennerausgängen zu blasen. Überprüfen Sie jeden Ausgang, um sicher zu gehen, dass aus jedem Loch Luft herauskommt.
6. Reinigen Sie die komplette äußere Oberfläche des Brenners mit einer Drahtbürste, um Speiserückstände und Schmutz zu entfernen.
  7. Reinigen Sie alle verstopften Ausgänge mit einem steifen Draht wie zum Beispiel einer offenen Büroklammer.
  8. Überprüfen Sie den Brenner auf Schäden, da sich auf Grund von normalem Verschleiß und Korrosion einige Löcher vergrößern können. Sollten Sie große Risse oder Löcher finden, ersetzen Sie den Brenner.

**SEHR WICHTIG: Die Brennerrohre müssen wieder fest an den Ventilöffnungen angebracht werden. Siehe Bild.**

**Korrigieren Sie die Verbindung vom Brenner zum Ventil**



9. Befestigen Sie die Elektrode am Brenner
10. Setzen Sie vorsichtig den Brenner wieder ein.
11. Befestigen Sie den Brenner an den Bügeln im Grillgehäuse.
12. Bringen Sie die Übertragungsrohre wieder an und befestigen diese am Brenner. Positionieren Sie die Flammenverteiler und Grillroste.



## Aufbewahrung des Geräts

- Grillroste reinigen.
- An einem trockenen Ort aufbewahren.
- Wenn die Gasflasche am Gerät angeschlossen ist, dann bewahren Sie dieses im Freien an einem gut belüfteten Ort und für Kinder unerreichbar auf.
- Decken Sie das Gerät zur Aufbewahrung im Freien ab.
- Bewahren Sie das Gerät NUR dann in Gebäuden auf, wenn die Gasflasche vom Gerät abgetrennt, aus dem Gerät entfernt, gut verschlossen ist und im Freien aufbewahrt wird.
- Beim Herausnehmen des Geräts von seinem Aufbewahrungsplatz, kontrollieren Sie den Brenner auf Verstopfung.

## Allgemeine Gerätereinigung

- Reinigen Sie das Gerät oft, vorzugsweise nach jedem Gebrauch. Wenn eine Reinigungsbürste benutzt wird, um jegliche Kochoberflächen des Geräts zu reinigen, dann stellen Sie sicher, dass keine lockeren Borstenüberreste auf den Kochoberflächen vor dem Grillen zurückbleiben. Es wird nicht empfohlen, die Kochoberfläche zu reinigen, wenn das Gerät noch heiß ist. Das Gerät sollte mindestens einmal im Jahr gereinigt werden.
- Verwechseln Sie keine braunen oder schwarzen Schmierfettansammlungen und Rauch mit Farbe. Die Innenseite von Gasgrills werden werkseitig nicht angestrichen (**und sollten nie angestrichen werden**). Verwenden Sie eine starke Reinigungslösung und Wasser oder benutzen Sie ein Gerätereinigungsmittel mit Scheuerbürste auf der Innenseite des Gerätedeckels und -bodens. Abspülen und komplett an der Luft abtrocknen lassen. **Verwenden Sie kein ätzendes Gerät/Ofenreinigungsmittel auf angestrichenen Oberflächen.**
- **Kunststoffteile:** Mit warmem Spülwasser waschen und trocken wischen.
- Benutzen Sie keine ätzenden Scheuermittel, Entfetter oder ein konzentriertes Gerätereinigungsmittel auf Kunststoffteilen. Es können Schäden und Fehler an den Teilen auftreten.
- **Porzellanoberflächen:** Wegen der glasartigen Zusammensetzung können die meisten Rückstände einfach mit einer Natron/Wasserlösung oder besonders formulierten Reinigungsmitteln weggewischt werden. Benutzen Sie nicht scheuernde Pulver für hartnäckige Flecken.
- **Lackierte Oberflächen:** Mit mildem oder nicht scheuerndem Reinigungsmittel und warmem Seifenwasser abwaschen. Mit einem weichen nicht kratzenden Tuch trocken wischen.
- **Oberflächen aus Edelstahl:** Um die Erscheinung Ihres Geräts von hoher Qualität beizubehalten, waschen Sie es mit mildem Reinigungsmittel und warmem Seifenwasser ab und wischen es mit einem weichen Tuch nach jedem Gebrauch trocken. Angebrannte Schmierfettreste könnten den Gebrauch eines rauen Kunststoffschwamms erforderlich machen. Benutzen Sie diesen nur in Richtung der lackierten Fläche, um Schäden zu vermeiden. Benutzen Sie keine scheuernden Schleifpads auf bedruckten Bereichen.
- **Kochoberflächen:** Wenn eine Reinigungsbürste benutzt wird, um jegliche Kochoberflächen des Geräts zu reinigen, dann stellen Sie sicher, dass keine lockeren Borstenüberreste auf den Kochoberflächen vor dem Grillen zurückbleiben. Es wird nicht empfohlen, die Kochoberflächen zu reinigen, wenn das Gerät noch heiß ist.

## INSTALLATORE/MONTATORE

Lasciare questo manuale al consumatore.

## CONSUMATORE

Conservare questo manuale per la futura consultazione.

### Dubbi:

In caso di dubbi durante il montaggio o l'utilizzo di questo apparecchio, contattare il venditore locale.



## PERICOLO



In caso di odore di gas:

1. Chiudere il gas dall'apparecchio
2. Spegnerne tutte le fiamme accese
3. Aprire il coperchio
4. Se l'odore persiste, tenersi lontani dall'apparecchio e contattare immediatamente il fornitore del gas oppure i Vigili del fuoco.



## AVVISO



1. Non conservare o utilizzare benzina o altri liquidi infiammabili nelle vicinanze di questo o di altri apparecchi.
2. Una bombola del gas non collegata non deve essere conservata nelle vicinanze di questo o di altri apparecchi.



## AVVERTENZA



- Leggere e seguire le informazioni di sicurezza
- Alcune parti possono contenere bordi affilati. Si raccomanda di indossare guanti protettivi.

### Fiammate di grasso

- Non è possibile spegnere le fiammate di grasso chiudendo il coperchio. Le griglie sono ventilate per motivi di sicurezza.
- Non utilizzare acqua sulla fiammata di grasso per evitare lesioni personali. In caso di formazione di fiammata di grasso persistente chiudere la manopola e la bombola del gas.
- Se l'apparecchio non viene regolarmente pulito, una fiammata di grasso può danneggiare il prodotto. Fare molta attenzione durante il pre-riscaldamento o la bruciatura dei residui, accertandosi che non si sviluppino fiammate di grasso. Seguire le istruzioni di Pulizia generale dell'apparecchio e Pulizia del gruppo bruciatori per prevenire le fiammate di grasso.
- Il modo migliore per prevenire le fiammate di grasso è la regolare pulizia dell'apparecchio.

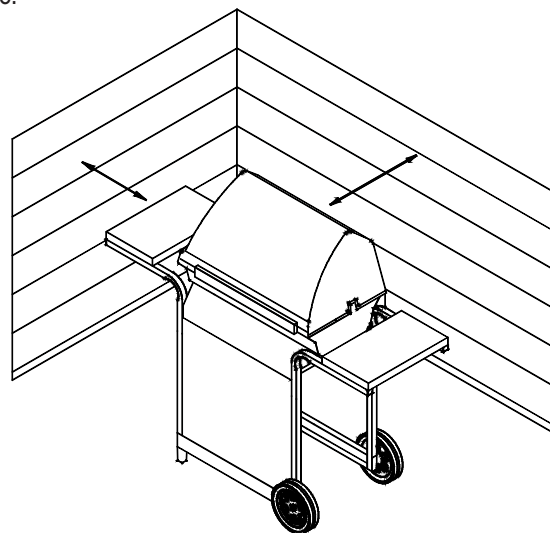


## AVVISO



**Per un uso sicuro dell'apparecchio e per evitare gravi lesioni:**

- **UTILIZZARE SOLO ALL'ESTERNO. NON UTILIZZARE MAI ALL'INTERNO.**
- Leggere le istruzioni prima di utilizzare l'apparecchio. Seguire sempre le presenti istruzioni.
- Le parti accessibili possono essere molto calde. Tenere lontani i bambini piccoli. Non lasciare che i bambini adoperino l'apparecchio o vi giochino
- Spegnerne l'erogazione del gas dalla bombola dopo l'uso.
- Questo apparecchio deve essere tenuto lontano da materiali infiammabili durante l'uso.
- Non ostruire i fori posti sui lati o sul retro dell'apparecchio.
- Controllare le fiamme del bruciatore regolarmente.
- Non bloccare le aperture di Venturi sul bruciatore.
- Utilizzare l'apparecchio solo in ambienti ben ventilati. **NON** utilizzare **MAI** in spazi chiusi come posto auto coperto, garage, veranda, patio coperto oppure sotto una struttura sopraelevata di qualsiasi tipo.
- Non utilizzare carbone o mattonelle di ceramica nell'apparecchio a gas.
- **NON** coprire le grate con fogli di alluminio o con altro materiale per evitare il blocco della ventilazione e creare una condizione potenzialmente pericolosa che può portare un danno a cose o lesioni a persone.
- **Utilizzare l'apparecchio ad almeno 1 m di distanza da pareti o superfici.** Mantenere 3 m di spazio da oggetti catturare fiamme o che siano fonti di incendio come fiamme pilota, scaldabagni, apparecchi elettrici carichi, ecc.



- Non tentare **MAI** di accendere il bruciatore con il coperchio chiuso. La formazione di gas non combusto all'interno dell'apparecchio chiuso è pericoloso.
- Chiudere sempre il gas dalla bombola e scollegare il regolatore prima di spostare la bombola del gas dalle posizioni operative specifiche.
- Non utilizzare l'apparecchio con la bombola del gas non correttamente posizionata.
- Non modificare il dispositivo. È assolutamente vietata qualsiasi modifica. Le parti sigillate non devono essere manipolate dall'utente. Non smontare gli iniettori.



## Suggerimenti per la sicurezza

- Prima di aprire la valvola della bombola del gas, controllare che il regolatore sia bel stretto.
- Quando l'apparecchio non è in uso, chiudere tutte le manopole di controllo e il gas.
- Utilizzare utensili da barbecue con manico lungo e guanti da forno per evitare ustioni e schizzi. Utilizzare guanti protettivi per maneggiare componenti caldi.
- Il carico massimo per la piastra elettrica e la mensola laterale è di 4,5 Kg. Il diametro minimo del contenitore di cottura è 200mm e il diametro massimo è 260mm.
- Il vassoio del grasso (se fornito) deve essere inserito nell'apparecchio e svuotato dopo ogni uso. Non rimuovere il vassoio del grasso finché l'apparecchio non sia completamente freddo.
- Fare molta attenzione quando si apre il coperchio in quanto vi può essere una fuoriuscita di vapore caldo.
- Fare molta attenzione quando bambini, anziani e animali domestici sono nelle vicinanze.
- Se si nota grasso o altro materiale grasso che gocciola dall'apparecchio nella valvola, nel tubo o nel regolatore, spegnere subito il gas. Stabilire la causa, ripararla, quindi pulire e ispezionare la valvola, il tubo e il regolatore prima di continuare. Eseguire un test della perdita.
- Mantenere libere le aperture di ventilazione nel vano della bombola e liberarle dai residui.
- Non conservare oggetti o materiali nel vano del carrello dell'apparecchio che potrebbero bloccare il flusso dell'aria per la combustione al lato inferiore di entrambi i pannelli di controllo o della vaschetta del forno.
- NON SCOLLEGARE o modificare il contenitore del gas entro 3m da una fiamma aperta o da altre fonti di accensione.

### Posizionamento del cilindro

Il cilindro non può essere posizionato sotto o dentro l'apparecchiatura. I cilindri devono venire posizionati al lato e nel retro dell'apparecchiatura. I cilindri devono avere un diametro massimo di 310mm e un'altezza massima di 600mm.

### Requisiti del regolatore

Con questo apparecchio deve essere utilizzato un regolatore. Utilizzare solo regolatore per gas fornito con il barbecue. Se il regolatore non è fornito, utilizzare, allora, solo un regolatore certificato EN12864 o EN16129 (velocità di flusso max . 1.5 kg/h) e approvato per vostro Paese e il gas specificati nei dati tecnici.

### Requisiti del tubo

Utilizzare solo il tubo approvato certificato secondo lo standard EN appropriato e che non superi la lunghezza di 1,5m. Per la Finlandia, la lunghezza del tubo non deve superare 1,2m. prima di ogni uso, controllare che il tubo non sia tagliato o logorato. Accertarsi che, quando collegato, il tubo non tocchi nessuna superficie calda. Sostituire i tubi danneggiati prima di utilizzare l'apparecchio. Sostituire i tubi come richiesto dai requisiti nazionali.

## Accensione con iniettore

### • Non chinarsi sull'apparecchio durante l'accensione

1. Girare i pomelli di controllo del bruciatore del gas in posizione ○ .
2. **Accendere** il gas dalla bombola.
3. **Aprire il coperchio durante l'accensione.**
4. Per accendere, girare la manopola del bruciatore iniettore in posizione ⚡ .
5. Spingere e tenere premuto il pulsante **ELECTRONIC IGNITION**.
6. Se l'accensione NON avviene in 5 secondi, girare la manopola di controllo del bruciatore ○ , attendere 5 minuti e ripetere la procedura di accensione.
7. Accendere i bruciatori vicini in sequenza spingendo le manopole e girandole in posizione ⚡ . Se l'accensione non dovesse funzionare, seguire le istruzioni di accensione con fiammifero.



## Accensione con fiammifero

### • Non chinarsi sull'apparecchio durante l'accensione

1. **Aprire il coperchio durante l'accensione.**
2. Posizionare il fiammifero nel portafiammiferi, accendere il fiammifero e avvicinarlo ai fori del bruciatore (il portafiammiferi può essere situato sul lato destro o sinistro).
3. Spingere e girare la manopola del bruciatore in posizione ⚡ per accenderlo. Assicurarsi che il bruciatore si accenda e rimanga acceso.
4. Accendere i bruciatori vicini in sequenza spingendo le manopole e girandole in posizione ⚡ .

## Accensione dell'iniettore della piastra

### • Non chinarsi sull'apparecchio durante l'accensione

1. **Aprire il coperchio della piastra.** Aprire il gas dalla bombola.
2. Girare la manopola della piastra in posizione ⚡ , spingere e tenere premuto il pulsante **ELECTRONIC IGNITOR**.
3. Se l'accensione **NON** avviene, girare la manopola di controllo in posizione ○ , attendere 5 minuti e ripetere la procedura di accensione.

## Accensione della piastra con fiammifero

1. **Aprire il coperchio della piastra.** Aprire il gas dalla bombola.
2. Avvicinare il fiammifero acceso al bruciatore.
3. Girare la manopola del bruciatore in posizione ⚡ . Accertarsi che bruciatore si accenda e rimanga acceso.

## Valvole, pompa e regolatore per prove di tenuta

Eseguire una prova di tenuta prima del primo utilizzo, almeno una volta l'anno. Inoltre, eseguire una prova di tenuta ogni volta che il cilindro viene cambiato o scollegato.

1. **Girare tutte le manopole di controllo dell'apparecchio in posizione ○.**
  2. Assicurarsi che il regolatore sia ben collegato alla bombola del gas.
  3. Aprire il gas. Se si avverte un *fischio*, spegnere il gas immediatamente. Vi è una perdita a livello del collegamento.
- Ripararla prima di procedere.**
4. Spazzolare una soluzione saponata (miscela composta da una parte di sapone e una parte di acqua) sul tubo dei collegamenti e sulle zone cerchiare di seguito.
  5. Se *compare* una formazione di bolle, vi è una perdita. Spegnere il gas dalla bombola immediatamente e controllare la tenuta dei collegamenti. Se la perdita non può essere fermata non tentare di ripararla. Chiamare per la sostituzione delle parti.
  6. Chiudere sempre il gas dalla bombola dopo aver eseguito il test delle perdite.

## SE L'APPARECCHIO NON SI ACCENDE

Accertarsi che la bombola di gas sia aperta.

Accertarsi che ci sia gas nella bombola.

Gli iniettori producono un rumore tipo scintillio?

Se la risposta è sì, controllare lo scintillio a livello del bruciatore.

Se la risposta è no, controllare che non vi siano danni o fili scollegati.

Se i fili sono OK, controllare che l'elettrodo non sia rotto o spaccato; sostituirlo se necessario.

Se il filo o l'elettrodo è coperto da residui di cottura, pulire la punta dell'elettrodo con una salvietta imbevuta di alcool se necessario.

Se necessario sostituire i fili.

Se non si avverte alcun rumore, controllare la batteria.

Accertarsi che la batteria sia installata correttamente.

Controllare che il collegamento dei fili sia corretto a livello del modulo e dell'interruttore.

Se l'iniettore continua a non funzionare, utilizzare un fiammifero



# AVVERTENZA



## ALLARME RAGNI!

### RAGNI E RAGNATELE ALL'INTERNO DEL BRUCIATORE



Se il barbecue stenta ad accendersi o la fiamma è debole, controllare e pulire i tubi Venturi e i bruciatori. I ragni e i piccoli insetti sono noti per la creazione di problemi di "ritorno" creando nidi e deponendo uova nei tubi Venturi o nel bruciatore oppure ostruendo il flusso del gas. Il gas di ritorno può infiammarsi dietro il pannello di controllo. Ciò può danneggiare il barbecue e causare lesioni. Per prevenire i ritorni e assicurare un buon funzionamento, il gruppo bruciatore il gruppo tubo Venturi devono essere rimossi e puliti quando il barbecue rimane inutilizzato per un lungo periodo di tempo.

## DATI TECNICI

Char-Broil, LLC				
Nome dell'apparecchio	Barbecue a gas/Grill a gas			
Potenza nominale totale	14 kW (1 018g/h)			
Categoria gas	I3+(28-30/37)	I3B/P(30)	I3B/P(50)	
Numero del modello	468201115		468101115	
Tipo di gas	Butano	Propano	Butano, propano o loro composti	Butano, propano o loro composti
Pressione del gas	28-30 mbar	37 mbar	28-30 mbar	50 mbar
Dimensioni dell'iniettore (diametro in mm)	Grill: 0,91 x 4 Pcs		Grill: 0,91 x 4 Pcs	
	Piastra: 0,75		Piastra: 0,75	
Paesi di destinazione	GB, FR, IE, BE, ES, IT, PT, CZ		DK, NO, NL, SE, FI, RO, IS, CZ, IT	
			AT, DE, SK, CH, LU	

## Pulizia del gruppo bruciatore

Seguire le seguenti istruzioni per pulire e/o sostituire parti del gruppo bruciatore oppure in caso di dubbi sul dispositivo di iniezione.

1. Spegner il gas dalla manopola di controllo e dalla bombola.
2. Rimuovere le grate di cottura, i parafiamma, i tubi di trasporto e i bruciatori.
3. Staccare gli elettrodi dal bruciatore.
4. Sollevare attentamente ogni bruciatore e allontanarlo dalle aperture delle valvole.
5. Si raccomandano tre modalità di pulizia dei tubi dei bruciatori. Utilizzare quello che risulta il più comodo.

(A) Piega un filo duro (va bene anche una gruccia che non si utilizza più) facendo un piccolo anello. Passare l'anello in ogni tubo del bruciatore diverse volte.



(B) Utilizzare una spazzola per bottiglia con un manico flessibile (non utilizzare una spazzola con setole in ottone), passare la spazzola attraverso ogni bruciatore diverse volte.

(C) **Indossare protezioni per gli occhi:** utilizzare un tubo ad aria per soffiare aria nei bruciatori e dai fori del bruciatore. Controllare ogni foro, per accertarsi che l'aria esca da ogni tubo.

6. Con la spazzola di ottone, spazzolare la superficie esterna del bruciatore per rimuovere i residui di cibo e lo sporco.
7. Pulire tutti i fori bloccati con un filo duro con una graffetta aperta.
8. Controllare eventuali danni del bruciatore: a causa del normale uso e della corrosione di alcuni tubi possono allargarsi. Se si riscontrano crepe grandi o tubi allargati sostituire il bruciatore.

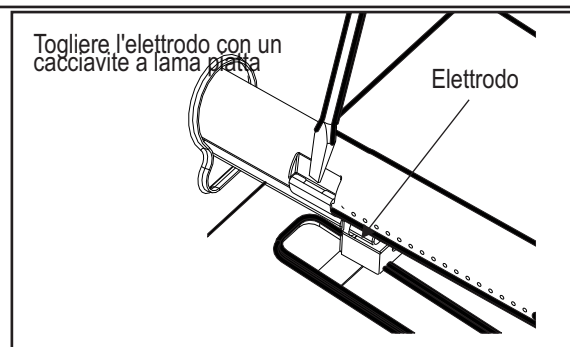
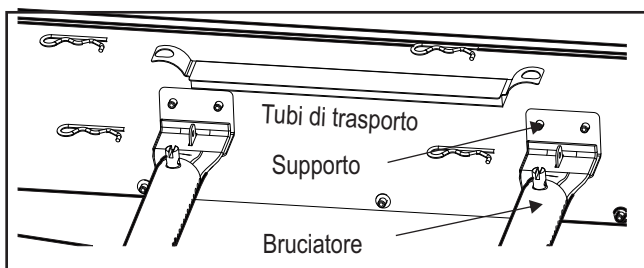
**MOLTO IMPORTANTE: i tubi del bruciatore devono incastrarsi con le aperture delle valvole.**

**Vedere le illustrazioni.**

**Adattare il bruciatore alla valvola**



9. Collegare l'elettrodo al bruciatore
10. Rimettere attentamente il bruciatore.
11. Collegare i bruciatori ai supporti sul forno.
12. Riposizionare i tubi di trasporto e collegare i bruciatori. Rimettere i parafiamma e le grate di cottura.



## Conservare l'apparecchio

- Pulire le grate di cottura.
- Conservare in luogo secco.
- Quando la bombola è collegata, conservare all'esterno in un luogo ben ventilato e fuori dalla portata dei bambini.
- Coprire l'apparecchio se conservato all'esterno.
- Conservare l'apparecchio all'interno SOLO se la bombola è chiusa e scollegata, rimossa dal dispositivo e conservata all'esterno.
- Quando si rimuove l'apparecchio per la conservazione, controllare che i bruciatori non siano ostruiti.

## Pulizia generale dell'apparecchio

- Pulire spesso l'apparecchio, preferibilmente dopo ogni cottura. Se si utilizza una spazzola a setole per la pulizia di tutte le superfici di cottura dell'apparecchio, accertarsi che non restino residui di setole sulle superfici di cottura prima dell'utilizzo. Si raccomanda di non pulire le superfici di cottura quando l'apparecchio è caldo. L'apparecchio deve essere pulito almeno una volta l'anno.
- Non confondere gli accumuli di grasso e di fumo con vernice. Le parti interne delle piastre a gas non sono verniciate dal costruttore (**e non devono mai essere verniciate**). Utilizzare una soluzione forte di detergente e acqua oppure utilizzare un pulitore per apparecchi con spazzola abrasiva per pulire gli interni e il fondo del coperchio dell'apparecchio. Risciacquare far asciugare completamente all'aria. **Non utilizzare pulitori per apparecchi/forni corrosivi sulle superfici verniciate.**
- **Parti in plastica:** lavare con acqua saponata calda e asciugare tamponando.
- Non utilizzare citrisol, pulitori abrasivi, sgrassanti o pulitori concentrati per apparecchi sulle parti plastiche. Possono causare danni o guasti alle parti stesse.
- **Superfici in porcellana:** data la composizione simil-vetro, molti residui possono essere detersi con soda/soluzione in acqua o con pulitori specificamente formulati. Utilizzare polvere pulente non abrasiva per le macchie ostinate.
- **Superfici verniciate:** lavare con detergente blando o con un pulitore non abrasivo e con acqua saponata calda. Asciugare tamponando con un panno non abrasivo morbido.
- **Superfici in acciaio:** per mantenere l'apparecchio in ottima forma e qualità, lavare con un detergente blando e acqua saponata calda e asciugare tamponando con un panno morbido dopo ogni uso. I depositi di grasso bruciato possono richiedere l'uso di un blocco plastica abrasivo. Non utilizzare il blocco abrasivo su zone con disegni.
- **Superfici di cottura:** se si utilizza una spazzola a setole per pulire l'apparecchio, accertarsi di non lasciare residui di setole sulle superfici di cottura prima dell'utilizzo. Si raccomanda di non pulire le superfici di cottura quando l'apparecchio è caldo.

## INSTALLATEUR/MONTEUR

Laat deze handleiding bij de consument achter.

## CONSUMENT:

Bewaar deze handleiding voor toekomstig gebruik.

## Vragen:

Indien u vragen heeft gedurende de montage of het gebruik van dit apparaat, neem dan contact op met uw plaatselijke dealer.

! **GEVAAR** !

Indien u gas ruikt:

1. Draai de gaskraan dicht.
2. Doof open vuur.
3. Open de deksel.
4. Als de stank aanhoudt, blijf op afstand van het apparaat en bel onmiddellijk uw gasleverancier of de plaatselijke brandweer.

! **WAARSCHUWING** !

1. Sla geen benzine of licht ontvlambare vloeistoffen in de buurt van dit of enig ander apparaat op.
2. Een niet aangesloten gasfles mag nooit in de buurt van dit of enig ander apparaat opgeslagen worden.

! **WAARSCHUWING** !

- Lees zorgvuldig en volg alle veiligheidsinstructies, montage handleiding en gebruiks- en onderhoudsinstructies op voordat u begint met monteren en koken.
- Sommige onderdelen kunnen scherpe randen hebben. Het gebruik van beschermende handschoenen wordt aanbevolen.

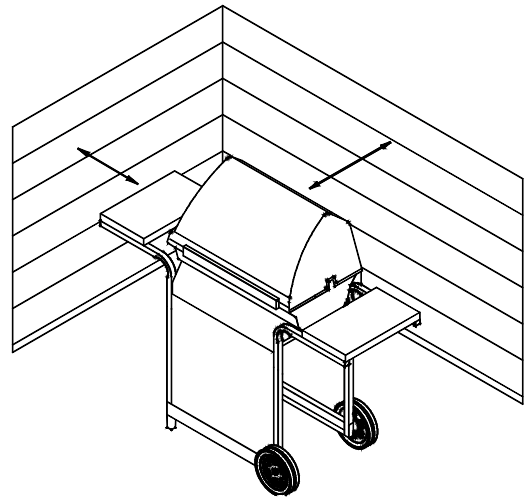
**Vetbrand**

- Een vetbrand uitmaken door de deksel te sluiten is niet mogelijk. Om redenen van veiligheid zijn de grillen goed geventileerd.
- Vermijd gebruik van water in geval van een vetbrand, aangezien dit kan leiden tot persoonlijk letsel.
- Indien het apparaat niet regelmatig wordt schoongemaakt, kan een vetbrand ontstaan dat het product kan beschadigen. Let erop in geval van voorverhitten of verbranden van voedselresten dat geen vetbrand kan ontstaan. Volg de **Algemene Reinigingsinstructies en Instructies voor het Reinigen van de Branders** op om zo vetbrand te voorkomen.
- De beste manier om vetbrand te voorkomen is het regelmatig reinigen van het apparaat.

! **WAARSCHUWING** !

### Voor Veilig Gebruik van Uw apparaat en om Ernstig Letsel te Voorkomen:

- **ALLEEN BUITEN TE GEBRUIKEN. GEBRUIK NOOIT BINNENSHUIS.**
- Lees de instructies zorgvuldig voordat u het apparaat in gebruik neemt. Volg altijd de onderstaande instructies op.
- Verplaats het apparaat nooit tijdens gebruik.
- Toegankelijke onderdelen kunnen erg warm worden. Houd jonge kinderen uit de buurt. Laat kinderen nooit het apparaat bedienen of in de omgeving van het apparaat spelen.
- Schakel de gastoevoer van de gasfles uit na gebruik.
- Houd dit apparaat ver van brandbare materialen tijdens gebruik.
- Blokkeer geen van de gaten aan de zijkanten of achterkant van het apparaat.
- Controleer de brander vlammen regelmatig.
- Blokkeer geen van de venturi buisjes van de brander.
- Gebruik het apparaat uitsluitend in een goed geventileerde ruimte. Gebruik **NOOIT** in een afgesloten ruimte zoals een carport, garage, veranda, overdekte patio, of onder een onder wat voor een overdekking dan ook.
- Gebruik nooit houtskool of keramische briketten in een gastoestel.
- Roosters **NOOIT** met aluminiumfolie of een ander materiaal afdekken. Dit blokkeert ventilatie van de brander en kan tot een mogelijk gevaarlijke situatie leiden met materiële schade en/of persoonlijk letsel als gevolg.
- **Gebruik het apparaat minstens 1 m van elke wand of oppervlak.** Zorg voor een afstand van minstens 3 m van objecten die vlam kunnen vatten of ontstekingsbronnen zoals waakvlammen van waterboilers, ingeschakelde elektrische apparaten, enz.



- Probeer **NOOIT** om een brander aan te steken met een gesloten deksel. Een cumulatie van niet-ontbrand gas in een afgesloten apparaat is gevaarlijk.
- Schakel altijd gas van de gasfles uit en koppel de regelaar los voordat u de gasfles van diens specifieke positie verwijderd.
- Gebruik het apparaat nooit met een gasfles in een incorrecte positie.
- Maak geen aanpassingen aan het apparaat. Elke aanpassing of verandering is streng verboden. Afgedichte onderdelen mogen door de gebruiker niet aangepast worden. De injectoren niet demonteren.



## Veiligheidstips

- Voordat u de gasfles opent, controleer of de regelaar goed vast zit.
- Wanneer het apparaat niet in gebruik is, schakel dan alle regelknoppen en gas uit.
- Gebruik barbecue gereedschap met lange stelen en ovenwanten om brandwonden en spatten te voorkomen. Gebruik beschermende handschoenen bij het hanteren van hete onderdelen.
- De maximale belasting voor een kookplaat en zijblad is 4,5kg. De kookpan heeft een minimum diameter van 200mm en een maximum diameter van 260 mm.
- De vetopvangbak (indien aanwezig) moet in het apparaat aangebracht worden en na gebruik geleegd worden. Verwijder de vetopvangbak alleen dan wanneer het apparaat volledig afgekoeld is.
- Wees voorzichtig wanneer u de deksel opent, aangezien hete stoom kan ontsnappen.
- Wees heel voorzichtig als er kinderen, bejaarden of huisdieren in de buurt zijn.
- Indien u ziet dat vet of een andere hete substantie uit het apparaat druipt op ventiel, slang of regelaar, schakel dan onmiddellijk het gas uit. Vind de oorzaak, corrigeer het, en inspecteer en reinig ventiel, slang en regelaar voordat u doorgaat. Voer een lekkagetest uit.
- Houd de ventilatieopeningen in de gasflesbehuizing (apparatenwagen) open en vrij van vuil.
- Sla geen voorwerpen of materialen op in de apparatenwagen behuizing wat de verbrandingsluchttoevoer naar de onderkant van zowel het controlepaneel of van de vuurhaard kan blokkeren.
- Ontkoppel of vervang de gasfles NOOIT binnen 3 meter van een open vuur of een andere ontstekingsbron.

## Plaatsing Gasfles

Gasfles kan niet onder of in het apparaat geplaatst worden. Gasflessen moeten aan de zijkant en achterkant van het apparaat geplaatst worden. Gasflessen moeten een maximale diameter van 310mm en een maximale hoogte van 600mm hebben.

## Vereisten Regelaar

Een regelaar moet met dit apparaat gebruikt worden. Gebruik uitsluitend de gasregelaar die met uw barbecue geleverd wordt. Als deze regelaar niet geleverd is, dan mag alleen een regelaar gebruikt worden die is gecertificeerd volgens EN12864 of EN16129 (Stroomsnelheid maximaal 1,5kg per uur) en is goedgekeurd voor uw land en gas zoals gespecificeerd in Technische Gegevens.

## Slang Eisen

Gebruik uitsluitend een goedgekeurde slang die voldoet aan de betreffende EN-standaard en die niet langer is dan 1,5m. Voor Finland, de lengte van de slang mag niet langer zijn dan 1,2m.

Voor elk gebruik, dient u te controleren dat de slangen niet gebroken of versleten zijn. Zorg ervoor dat de slang niet geknikt is. Zorg ervoor dat de aangesloten slang niet in aanraking komt met warme oppervlakken. Vervang beschadigde slangen voordat u het apparaat gebruikt. Vervang de slang overeenkomstig nationale voorschriften.

## Aansteker aansteken

- **Leun niet over het apparaat bij aansteken.**
  1. Draai de gasbrander regelkleppen aan tot ○.
  2. Draai gas AAN op de gasfles tot.
- **Open de deksel gedurende het aansteken.**
  4. Om aan te steken, draai de branderknop naar ⚡.
  5. Druk op de **ELEKTRONISCHE ONTSTEKINGSKNOP** en houd deze ingedrukt.
  6. Als het aansteken NIET binnen 5 seconden gebeurt, draai aan de branderknoppen ○, wacht 5 minuten en herhaal de aansteekprocedure.
  7. Steek de aangrenzende branders in volgorde aan door op de knoppen te duwen en te draaien naar 🔥. Als de aansteker niet werkt, volg dan de instructies voor het aansteken met lucifers.



## Aansteken met lucifers

- **Leun niet over het apparaat bij aansteken.**
  1. **Open de deksel.** Draai het gas van de gasfles aan.
  2. Plaats lucifer in luciferhouder, steek lucifer aan en plaats het naast de branderopeningen. (Houder kan aan de linker-of rechterkant zijn.)
  3. Druk op en draai de branderknop 🔥 voor het aansteken van de brander. Zorg ervoor dat de brander aangestoken wordt en blijft.
  4. Steek de aangrenzende branders in volgorde aan door op de knoppen te duwen en te draaien naar 🔥.

## Kookplaat Aansteken

- **Leun niet over het apparaat bij aansteken.**
  1. **Open kookplaatdeskel.** Draai gas van de gasfles aan.
  2. Draai de kookplaatknop naar 🔥, druk op de **ELEKTRONISCHE ONTSTEKINGSKNOP** en houd deze ingedrukt.
  3. Als de kookplaat NIET is aangestoken, draai de knop naar ○ wacht 5 minuten, en herhaal de procedure.

## Kookplaat aansteken met lucifers

1. **Open de kookplaatdesksel.** Draai het gas van de gasfles aan.
2. Plaats een aangestoken lucifer bij brander.
3. Draai kookplaatknop naar 🔥. Zorg ervoor dat de brander aangestoken is en blijft.



## Lektest Kleppen, Slang en Regelaar

Lektest voor eerste gebruik, minstens een keer per jaar, en elke keer als de gasfles verwisseld of losgekoppeld is.

1. Draai alle bedieningsknoppen van het apparaat naar .
2. Zorg ervoor dat de regelaar nauw verbonden is met de gasfles.
3. Draai gas aan. Indien u een ruisend geluid hoort, gas onmiddellijk uitdraaien. Er is dan een substantieel lek bij de verbinding. **Corrigeer dit voordat u doorgaat.**
4. Bestrijk met een zeepoplossing (mengsel van half zeep en half water) de slangverbindingen en de plaatsen hieronder omcirkeld.
5. Als luchtballen verschijnen, is er een lek. Draai het gas van de gasfles onmiddellijk uit en controleer de afsluitingen van de verbindingen. Indien het lek niet verholpen kan worden, probeer het in geen geval zelf te repareren. Bel voor vervangende onderdelen.
6. Draai altijd het gas van de gasfles uit nadat een lektest is uitgevoerd.

## ALS APPARAAT NIET AANGESTOKEN KAN WORDEN

Controleer of gas in de gasfles aangesloten is.  
Zorg ervoor dat gas in de gasfles is.

Maakt de ontsteker een vonkend Geluid?

Indien ja, controleer de brander voor vonken.

Indien er geen vonk is, zoek voor beschadigde of losse draden.

Indien de draden in orde zijn, controleer gescheurde of gebroken elektrode, en vervang indien nodig.

Wanneer draden of elektrodes met kookresten bedekt zijn, reinig dan indien nodig de elektrode met een alcoholdoekje.

Indien nodig, vervang draden.

Indien geen geluid, controleer dan de batterij.

Zorg ervoor dat de batterij correct geïnstalleerd is.

Controleer of er losse verbindingen bij de module of schakelaar zijn.

Indien de aansteker weigert te werken, gebruik dan een lucifer.



**WAARSCHUWING**



**SPIN ALARM!**

**SPINNEN EN SPINNENWEBBEN  
IN DE BRANDER**



Wanneer uw barbecue moeizaam aangaat of de vlam zwak is, controleer en reinig de venturi buisjes en branders.

Spinnen en kleine insecten staan erom bekend dat zij "flashback" problemen veroorzaken doordat zij nesten bouwen en eieren leggen in de venturi buisjes en branders van de barbecue, waardoor de toevoer van gas wordt belemmerd. Het gecumuleerd gas kan achter het controlepaneel ontvlammen. Deze flashback kan uw barbecue beschadigen en letsel veroorzaken. Om flashbacks te voorkomen en voor een goede prestatie zorg te dragen, dienen brander en de venturi buisjes verwijderd en schoongemaakt te worden wanneer de barbecue geruime tijd ongebruikt is.

## TECHNISCHE GEGEVENS

Char-Broil, LLC				
Naam Apparaat	Gas Barbecue/Gas Grill			
Totaal Nominaal	14 kW (1 018g/h)			
Gas Categorie	I3+(28-30/37)	I3B/P(30)	I3B/P(50)	
Model Nr.	468201115		468101115	
Gas Type	Butaan	Propan	Butaan, Propan of een menging	Butaan, Propan of een menging
Gasdruk	28-30 mbar	37 mbar	28-30 mbar	50 mbar
Injector Grootte (Diameter in mm)	Gril: 0,91 x 4 delen		Gril: 0,91 x 4 delen	Gril: 0,81 x 4 delen
	Kookplaat 0,75		Kookplaat 0,75	Kookplaat 0,64
Landen Bestemming	GB, FR, IE, BE, ES, IT, PT, CZ		DK, NO, NL, SE, FI, RO, IS, CZ, IT	AT, DE, SK, CH, LU

## Reinigen van de Brander

Volg deze instructies op voor het reinigen en/of vervangen van onderdelen van de brander of indien u problemen heeft met het aansteken van het apparaat.

1. Draai gas uit van de bedieningsknoppen en de gasfles.
2. Verwijder kookroosters, vlamdempers, slangen en branders.
3. Verwijder elektrode van brander.
4. Til elke brander voorzichtig op en weg van de klepopeningen.

5. Wij bevelen drie manieren aan om de branderslangen te reinigen. Kies de manier die voor u het gemakkelijkst is.

(A) Buig een stevige metalen draad (een lichtgewicht klerhanger werkt goed) in de vorm van een kleine haak. Voer de haak verschillende keren door elke brander.



(B) Gebruik een smalle flessenborstel met een flexibel handvat (gebruik geen staaldraadborstel), voer de borstel verschillende malen door elke brander.

(C) Draag een veiligheidsbril: Gebruik een luchtslang om lucht in branderbuis en uit branderopeningen te persen. Controleer iedere opening om er zeker van te zijn dat lucht uit elk gat komt.

6. Borstel de gehele buitenkant van brander om voedselresten en vuil te verwijderen.
7. Reinig geblokkeerde openingen met een stevige metalen draad zoals een uitgebogen paperclip.
8. Onderzoek brander voor schade; ten gevolge van dagelijks gebruik en corrosie kunnen sommige gaten vergroot zijn. Indien grote scheuren of gaten worden gevonden, vervang brander.

**UITERST BELANGRIJK: Branderslangen moeten klepopeningen opnieuw inschakelen.**

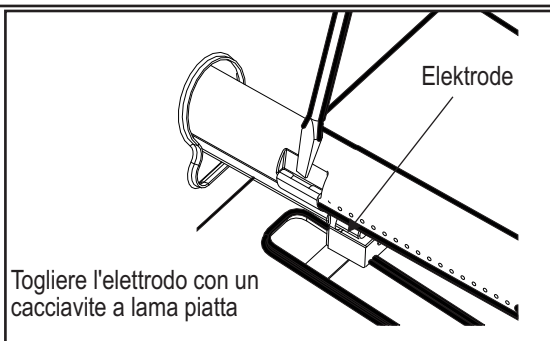
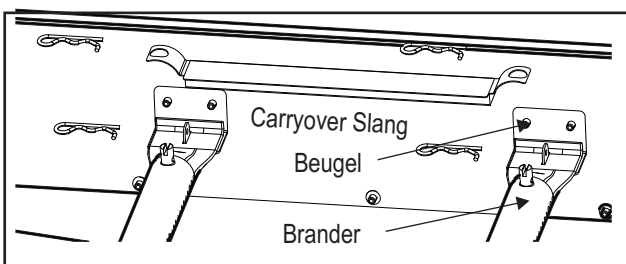
Zie illustratie.

Corrigeer

brander-naar-klep inschakeling



9. Bevestig elektrode aan brander
10. Vervang branders voorzichtig.
11. Bevestig branders aan beugels op vuurhaard.
12. Plaats slangen en verbind met branders. Vervang vlamdempers en kookroosters.



## Opslaan van uw Apparaat

- Reinigen kookroosters.
- Opslaan op een droge plek.
- Wanneer een gasfles is aangesloten op het apparaat, dan buiten opslaan in een goed geventileerde ruimte en buiten het bereik van kinderen houden. Dek het apparaat af indien buiten opgeslagen.
- Sla het apparaat ALLEEN DAN binnenshuis op indien de gasfles is afgesloten en losgekoppeld, alsmede verwijderd van het apparaat en buiten opgeslagen.
- Wanneer het apparaat uit de opslag wordt gehaald, dient het op brander obstructies gecontroleerd te worden.

## Algemene Reiniging Apparaat

- Reinig het apparaat vaak, vooral na koken. Als een borstel wordt gebruikt voor het reinigen, zorg er dan voor dat geen borstelharen achterblijven op het kookoppervlak voordat met grillen wordt begonnen. Het is niet raadzaam het kookoppervlak te reinigen terwijl het apparaat warm is.
- Het apparaat dient minstens een keer per jaar gereinigd te worden.
- Zie in geen geval bruine of zwarte ophoping van vet voor verf aan. De binnenkant van een gas grill wordt nooit geschilderd tijdens fabricage. (**en mag ook nooit geschilderd worden**). Gebruik een sterke oplossing van reinigingsmiddel en water of gebruik een apparaat reiniger met schrobborstel voor het reinigen van de binnenkant van deksel en onderkant van het apparaat. Afspoelen en in de open lucht volledig laten drogen. **Gebruik geen agressieve reiniger of ovenreiniger op geschilderde oppervlakken**
- **Kunststofonderdelen:** Was met warm zeepwater en droog af.
  - Gebruik geen citrisol, schuurmiddelen, ontvetters of een geconcentreerde reiniger voor kunststof onderdelen. Dit kan resulteren in schade aan en uitval van onderdelen.
- **Porcelainen oppervlakken:** Door de glasachtige samenstelling kan de meeste aanslag eenvoudig verwijderd worden met zuiveringszout / wateroplossing of een speciaal schoonmaakmiddel. Gebruik een niet-schurend schuurmiddel voor hardnekkige vlekken.
- **Geschilderde oppervlakken:** Reinig met een mild schoonmaakmiddel of een niet-schurend reinigingsmiddel en warm zeepwater. Droog met een zacht, niet-schurend doekje.
- **Roestvrijstalen oppervlakken:** Om het hoogwaardig uiterlijk van uw apparaat te behouden, reinig met een mild schoonmaakmiddel en warm zeepwater en droog met een zacht doekje na elk gebruik. Voor het verwijderen van ingebakken vet kan gebruik van een schuursponsje nodig zijn. Gebruik alleen in de richting van geborstelde afwerking om schade te voorkomen. Gebruik geen schuursponsjes op plaatsen met een afbeelding.
- **Kookoppervlakken:** Als een borstel wordt gebruikt voor het reinigen van een kookoppervlak, zorg er dan voor dat er geen losse borstelharen op het kookoppervlak achterblijven voordat met grillen wordt begonnen. Het is niet raadzaam het kookoppervlak te reinigen terwijl het apparaat warm is.

## INSTALLATION/MONTERING:

Ge den här bruksanvisningen till kunden.

## KUNDEN:

Behåll bruksanvisningen för framtida bruk.

## Frågor:

Har du frågor om hur du monterar eller använder produkten, kontakta återförsäljaren.

!FARA!!

Om det luktar gasol:

1. Stäng av produkten.
2. Släck öppna lågor.
3. Öppna locket.
4. Om lukten finns kvar, håll dig borta från produkten och ring omgående till din gasolleverantör eller till brandkåren.

!VARNING!

1. Förvara inte bensin eller andra brännbara vätskor i anslutning till denna produkt eller annan produkt.
2. En gasolbehållare som inte används ska inte förvaras i anslutning till denna produkt eller annan produkt.

!OBS!!

- Läs igenom samtliga säkerhets-, monterings- och bruksanvisningar innan du sätter ihop produkten eller grillar på den.
- Vissa delar har vassa hörn och kanter. Arbetshandskar rekommenderas.

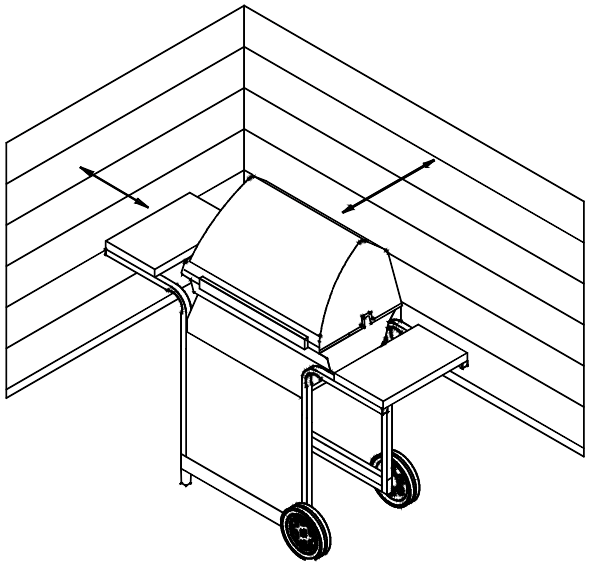
**Fettbränder**

- Det går inte att släcka fettbränder genom att stänga locket. Grillar är ventilerade av säkerhetsskäl.
- Använd inte vatten mot fettbränder. Det kan medföra personskada. Om en fettbrand inte vill slockna, stäng av vred och gasbehållare.
- Om produkten inte rengjorts regelbundet, kan en fettbrand uppstå som kan skada produkten. Var försiktig vid förvärmning eller bortbränning av matrester så brand inte uppstår. Följ anvisningarna för produkt- och brännarrensning för att undvika fettbränder.
- Det bästa sättet att undvika fettbränder är att rengöra produkten regelbundet.

!VARNING!

**För säker användning av produkten och för att undvika allvarliga olyckor, gör på följande sätt:**

- **ANVÄNDS ENDAST UTOMHUS. ALDRIG INOMHUS.**
- Läs anvisningarna och följ dem alltid när du använder produkten.
- Flytta inte på produkten när du börjat grilla.
- Delar som används kan vara väldigt heta. Håll småbarn borta från produkten. Undvik att låta barn använda produkten eller leka i närheten av den.
- Stäng av gasolen upptill på behållaren efter användning.
- Produkten måste hållas avskild från brännbara material i samband med användning.
- Blockera inte hål på sidan av eller på baksidan av produkten.
- Kontrollera brännarlågan regelbundet.
- Blockera inte säkerhetsventilerna på brännaren.
- Använd produkten bara i ett välventilerat utrymme. Använd den ALDRIG i ett slutet utrymme som carport, garage, entré, täckt veranda eller under något tak av någon sort.
- Använd inte träkol eller briketter i en gasolgrill.
- **TÄCK INTE ÖVER** grillgaller med aluminiumfolie eller annat material. Det blockerar ventilationen till brännaren vilket kan medföra risker för skador på produkten och/eller personskada.
- Använd verktyget med ett säkerhetsavstånd på 1 m från vägg eller annan yta. Håll ett avstånd på 3 m från föremål som kan fatta eld eller ha tändverkan som indikeringsbelysning på vattenvärmare eller påslagna elapparater osv.



- Försök ALDRIG att tända brännaren med locket på. En stor mängd otänd gasol inne i en täckt produkt är farligt.
- Stäng alltid av gasolen vid behållaren och koppla bort regulatorn innan gasolbehållaren flyttas från sitt rätta läge.
- Använd aldrig produkten om gasolbehållaren inte befinner sig i sitt rätta läge.
- Ändra inte på produkten. Alla ändringar är strängt förbjudna. Fasta detaljer får inte påverkas av användaren. Plocka inte isär munstyckena.

## Råd för säkerheten

- Innan du öppnar gasolcylinderventilen, kontrollera att regulatören är ordentligt åtskruvad.
- När produkten inte används, stäng av alla vred och gasolen.
- Använd långskaftade grillverktyg och handskar för att undvika brännskador och stänk. Använd skyddshandskar när du hanterar heta produkt detaljer.
- Högsta vikt på stekbord och sidohylla är 4,5 kg. Korkkärn ska vara mellan 200 och 260 mm i diameter.
- Fettplåt (i förekommande fall) måste sättas in och tömmas vid varje användning. Ta inte bort fettplåten förrän produkten kallnat helt.
- Var försiktig när du öppnar locket: het ånga kan komma ut.
- Var försiktig när barn, gamla och husdjur befinner sig i närheten av produkten.
- Om du märker att fett eller annat hett material droppar från produkten ner på ventiler, slangar eller regulatören, stäng av gasolen omgående. Ta reda på orsaken och eliminera den och gör sedan rent ventilen, slangen eller regulatören innan du fortsätter. Gör ett läckagetest.
- Håll ventilationsöppningarna i gasolbehållarinfattningen (vagnen) öppna och fria från smuts.
- Förvara inte material eller föremål inne i gasolbehållarinfattningen som kan förhindra lufttillflödet till undersidan av kontrollpanelen eller brännarskålen.
- KOPPLA INTE bort eller byt gasolbehållaren inom 3 m från öppen eld eller tändelement.

## Placering av cylindern

Cylindern kan inte placeras under eller inuti maskinen. Cylindrar ska placeras på sidan om och på baksidan av maskinen. Cylindrar ska ha en maxdiameter av 310mm och en maxhöjd av 600mm.

## Krav på regulator

Produkten måste användas med gasolregulator. Använd endast den regulator som följer med produkten. Om regulator inte medföljer, använd endast en regulator som är certifierad enligt EN12864 eller EN16129 (flödes hastighet max. 1.5 kg/tim) och som är godkänd för aktuellt land och för den gasoltyp som anges i specifikationerna.

## Krav på slang

Använd endast godkänd och certifierad slang enligt gällande EN-standard som är högst 1,5m lång. För Finland får slangen vara högst 1,2 m lång.

Kontrollera varje gång att slangen inte är sliten eller skadad. Se till att den inte är vikt. Se till att en kopplad slang inte vidrör heta ytor. Byt ut skadad slang innan du använder produkten. Utbyte görs enligt lokalt gällande regler.

## Tändning

### • Luta dig inte över produkten när du tänder.

1. Ställ gasolbrännarvreden på ○ .
2. Sätt gasolen på **ON** vid behållaren.
3. **Öppna locket när du tänder.**
4. För att tända, ställ tändvredet på ➤ .
5. Tryck in **ELECTRONIC IGNITION**-knappen.
6. Om det INTE tänder inom 5 sekunder, stäng av brännarvreden ○ , vänta 5 minuter och gör om proceduren.
7. Tänd övriga brännare i följd genom att trycka in vreden och ställa dem på 🔥 . Om tändaren inte fungerar, använd tändstickor enligt instruktion.



## Tända med tändstickor

### • Luta dig inte över produkten när du tänder.

1. **Öppna locket.** Vrid på gasen vid behållaren.
2. Placera tändstickan i tändstickshållaren, tänd den och sätt den intill brännaröppningarna. (hållare kan finnas på både vänster och höger sida.)
3. Tryck in och vrid brännarvredet så tänds brännaren 🔥 . Se till att den tänds ordentligt.
4. Tänd övriga brännare i följd genom att trycka in vreden och ställa dem på 🔥 .

## Tändning av stekbord

### • Luta dig inte över produkten när du tänder.

1. **Öppna stekbordslocket.** Vrid på gasen vid behållaren.
2. Ställ stekbordsvredet på 🔥 och tryck in **ELECTRONIC IGNITOR**-knappen.
3. Om inte stekbordet tänds, vänta 5 minuter och gör om proceduren ○ .

## Tända stekbord med tändstickor

1. **Öppna stekbordslocket.** Sätt på gasolen vid behållaren.
2. Sätt en tänd tändsticka intill brännaren.
3. Ställ stekbordsvredet på 🔥 .  
Se till att brännaren brinner ordentligt.

## Läcksökningsventiler, slangar och reglage

Testa efter läckage före den första användningen, minst en gång per år, och varje gång cylindern byts ut eller kopplas bort.

1. Ställ samtliga vred på produkten på O.
2. Se till att regulatören är fastskruvad ordentligt i gasolbehållaren.
3. Vrid på gasolen. Om du hör ett väsende ljud, stäng omedelbart av gasolen. Det finns då någon större läcka vid kopplingen. **Åtgärda det innan du går vidare.**
4. Stryk ut en tvällösning (hälften tvål, hälften vatten) på slangkopplingarna och de områden som anges nedan.
5. Om växande bubblor syns finns det en läcka. Stäng omedelbart av gasolen vid behållaren och kontrollera att kopplingarna är täta. Om läckan inte kan åtgärdas, försök inte att reparera utan beställ reservdelar.
6. Stäng alltid av gasolen efter genomfört läckagetest.

## OM PRODUKTEN INTE TÄNDER

Kontrollera att gasolen är på vid behållaren.  
Kontrollera att det finns gasol i behållaren..

Hörs ett gnistliknande ljud från tändaren?

Om ja, kontrollera om det finns en gnista vid brännaren.

Om gnista saknas, kontrollera om kablar är skadade eller lösa.  
Om kablarna är OK, kontrollera om elektroden är trasig och byt ut den om det behövs.

Om kablar eller elektroder är täckta med matrester, gör rent elektrodspetsen med sprit om det behövs.

Byt kablar om det behövs.

Om inget ljud hörs, kontrollera batteriet.

Se till att batteriet är rätt installerat.

Kontrollera om kablar är lösa intill modul och vred.

Om tändaren alltså inte fungerar, använd tändstickor.



# OBS!



## SE UPP FÖR SPINDLAR!

### SPINDLAR OCH SPINDELNÄT INNE I BRÄNNAREN



Om grillen är svår att tända eller om lågan är svag, kontrollera och rengör kanaler och brännare.

Spindlar och småinsekter är kända för att kunna orsaka "flashback"-problem när de bygger bon och lägger ägg i gasolkanaler och brännare och stoppar upp gasolflödet. Den instängda gasolen kan fatta eld bakom kontrollpanelen. Flashbacken kan skada grillen och medföra personskada. För att förhindra flashbacks och säkerställa driftsäkerheten, bör brännaren och rörsystemet tas loss och rengöras när grillen stått oanvänd en längre tid.

## TEKNISKA DATA

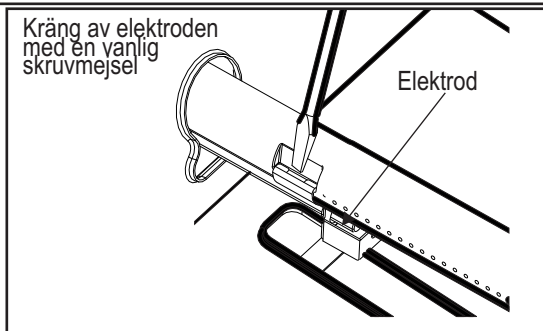
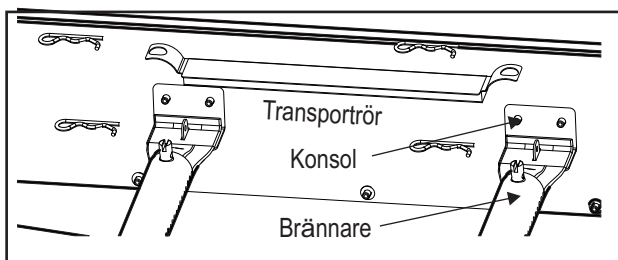
Char-Broil, LLC				
Produktnamn	Gasolbarbeque/Gasolgrill			
Totalt nominellt	14 kW (1 018g/h)			
Gasoltyp	I3+(28-30/37)		I3B/P(30)	I3B/P(50)
Modellnr.	468201115			468101115
Gasoltyp	Butan	Propan	Butan, Propan eller båda blandat	Butan, Propan eller båda blandat
Gasoltryck	28-30 mbar	37 mbar	28-30 mbar	50 mbar
Injektorstorlek (diam. mm)	Grill: 0,91 x 4 st		Grill: 0,91 x 4 st	Grill: 0,81 x 4 st
	Stekbord: 0,75		Stekbord: 0,75	Stekbord: 0,64
Landdestinationer	GB, FR, IE, BE, ES, IT, PT, CZ		DK, NO, NL, SE, FI, RO, IS, CZ, IT	AT, DE, SK, CH, LU



## Rengöring av brännarenheten

Följ dessa anvisningar när du rengör eller byter delar av brännarenheten eller om du har problem med att tända produkten.

1. Stäng av gasolen vid kontrollvreden och vid gasolbehållaren.
  2. Ta bort grillgaller, flammhämmare, transportrör och brännare.
  3. Ta bort elektroden från brännaren.
  4. Lyft försiktigt bort varje brännare från ventilöppningarna.
  5. Det finns tre olika sätt att göra rent rören i brännaren. Välj den som passar dig bäst.  
**(A)** Böj en styv ståltråd (en ståltrådsgalge fungerar bra) till en liten krok. Dra kroken genom varje brännarrör flera gånger.
  - (B)** Använd en smal flaskborste med flexibelt handtag (använd inte stålborste) och dra borsten genom brännarrören flera gånger.
  - (C)** Använd ögonskydd: använd tryckluft för att trycka in luft genom rören och brännarröppningarna. Kontrollera att luften kommer ut genom varje hål.
6. Stålborsta brännarens yttre för att få bort matrester och smuts.
  7. Gör rent igensatta öppningar med styv ståltråd. Ett gem går bra.
  8. Kontrollera att det inte finns några skador på brännaren. På grund av vanligt slitage och korrosion kan vissa öppningar vara utvidgade. Om du hittar sprickor och större hål, byt ut brännaren.  
**OBS: Brännarrören måste inpassas i ventilöppningarna. Se bilden.  
Korrekt inpassning  
brännare-ventil**
9. Fäst elektroden i brännaren.
  10. Sätt försiktigt tillbaka brännarna.
  11. Sätt fast brännarna i fästena i eldlådan.
  12. Sätt tillbaka och fäst transportrören i brännarna. Sätt tillbaks flammhämmarna och grillgallren.



## Förvaring av produkten

- Ta bort grillgallren.
- Förvaras torrt under tak.
- Om gasolen är ansluten till produkten ska produkten förvaras utomhus i ett väl ventilerat utrymme och så att barn inte kan komma åt den.
- Täck över produkten om den förvaras utomhus.
- Får BARA förvaras inomhus om gasolbehållaren är avstängd och separerad och förvaras utomhus.
- När verktyget tas fram för användning, kontrollera att brännaren inte är blockerad.

## Rengöring av produkten

- Gör rent produkten ofta, lämpligtvis efter varje användning. Om rivande borste används för att göra rent stekytorna, se till att inga lösa rester finns kvar när en ny grillning påbörjas. Rengör inte ytor som är upphettade. Verktøget ska rengöras minst en gång om året.
- Tro inte att inbränt fett och rök är färg. Gasgrillars inre delar är inte målade i fabriken (**och ska inte målas**). Lägg på starkt rengöringsmedel och vatten eller använd ett särskilt borstverktyg för produkten och gör rent locket och i lådan. Skölj och låt torka. **Använd inte basiska ugnrengöringsmedel på målade ytor.**
- **Plastdetaljer:** tvätta med mild varm tvållösning och torka sedan rent.
  - Använd inte citrisol, polerande rengöringsmedel, avfettningssmedel eller koncentrerat särskilt grillrengöringsmedel på plastdetaljer. Det kan medföra skador och bristande funktion på produkten.
- **Porlinsytor:** eftersom materialet är glasliknande kan smuts tas bort enkelt med soda-vattenlösning eller särskilt rengöringsmedel. Använd icke-polerande skurmedel för besvärlig smuts.
- **Målade ytor:** tvätta med mildt och/eller icke-polerande rengöringsmedel eller varmt tvålsvatten. Torka sedan rent med icke-rivande trasa.
- **Ytor av rostfritt:** om du vill att verktyget ska se snyggt ut, tvätta med mildt rengöringsmedel och varmt tvålsvatten och torka sedan rent med mjuk trasa. Pålagrat fett kan kräva att rivande svamp används. Rengör i samma riktning som undermaterialet för att undvika skador. Använd inte rivande svamp på ytor med text.
- **Stekytor:** Om rivande borste används för att göra rent stekytorna, se till att inga lösa rester finns kvar när en ny grillning påbörjas. Rengör inte när produkten är het.

## ASENTAJA/KOKOAJA:

Jätä tämä opas kuluttajalle.

## KULUTTAJA:

Säilytä tämä opas tulevia tarpeita varten.

## Kysymykset:

Jos sinulla on kysyttävää asennuksen aikana tai tämän laitteen käytöstä, ota yhteyttä paikalliseen jakelijaan.

VAARA

**Jos tunnet kaasun hajua:**

1. Sulje laitteen kaasulähde.
2. Sammuta mahdollinen avotuli.
3. Avaa kansi.
4. Jos tunnet edelleen hajua, pysy poissa laitteen luota ja soita välittömästi kaasuntoimittajillesi tai hätäkeskukseen.

VAROITUS

1. Älä säilytä äläkä käytä bensiiniä tai mitään muita helposti syttyviä nesteitä tämän tai minkään muun laitteen läheisyydessä.
2. Kaasupulloa, joka ei ole laitteeseen liitettyä ja käytössä, ei saa säilyttää tämän eikä minkään muun laitteen läheisyydessä.

HUOMAUTUS

- Lue kaikki turvallisuusohjeet, kokoamisohjeet sekä käyttö- ja hoito-ohjeet ja noudata niitä ennen kuin yrität koota laitteen ja valmistaa sillä ruokaa.
- Jotkin osat voivat sisältää teräviä reunoja. Suojakäsineiden käyttäminen on suositeltavaa.

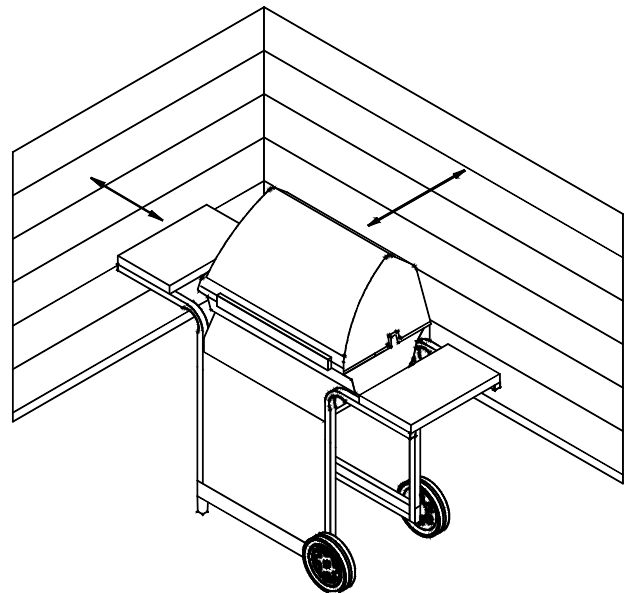
**Rasvapalot**

- Rasvapaloja ei voi sammuttaa sulkemalla kantta. Grilleissä on hyvä tuuletus turvallisuussyistä.
- Älä käytä rasvapalon sammuttamiseen vettä, sillä tämä voi aiheuttaa vamman. Jos rasvapalo on sitkeä, käännä säätönupit ja kaasu pois päältä.
- Jos grilliä ei ole puhdistettu säännöllisesti, voi seurauksena olla rasvapalo, joka voi vahingoittaa laitetta. Huolehdi tarkoin, ettet saa aikaan rasvapalaa laitetta esilämmittäessäsi tai polttaessasi ruokajäämiä pois. Noudata laitteen yleisiä puhdistusohjeita ja polttimen puhdistusohjeita rasvapalojen estämiseksi.
- Paras tapa estää rasvapalot on laitteen säännöllinen puhdistaminen.

VAROITUS

### Laitteen turvallinen käyttö ja vakavien vammojen välttäminen edellyttää seuraavaa:

- **KÄYTÄ LAITETTA VAIN ULKONA. ÄLÄ KOSKAAN KÄYTÄ LAITETTA SISÄLLÄ.**
- Lue ohjeet ennen laitteen käyttämistä. Noudata aina näitä ohjeita.
- Älä siirrä laitetta käytön aikana.
- Laitteen näkyvät osat voivat olla erittäin kuumia. Pidä pikkulapset poissa laitteen luota. Älä anna lasten käyttää laitetta tai leikkiä sen lähellä.
- Kytke kaasulähde pois päältä käytön jälkeen.
- Tämä laite on pidettävä erossa helposti syttyvistä materiaaleista käytön aikana.
- Älä tuki laitteen sivuilla tai takana olevia aukkoja.
- Tarkista polttimen liekit säännöllisesti.
- Älä tuki polttimen venturiaukkoja.
- Käytä laitetta vain hyvin tuuletetussa tilassa. Älä KOSKAAN käytä umpinaisessa tilassa, kuten autokatoksessa, autotallissa, kuistilla, katetulla patiolla tai minkäänlaisen katetun rakenteen alla.
- Älä käytä hiiltä tai keraamisia brikettejä kaasulaitteessa.
- **ÄLÄ** peitä ritilöitä alumiinifoliolla tai millään muulla materiaalilla. Tämä estää polttimen tuuletuksen ja synnyttää mahdollisesti vaarallisen tilanteen, joka voi aiheuttaa vaurioita ja/tai vamman.
- **Käytä laitetta vähintään 1 metrin päässä seinistä tai muista pinnoista.** Pidä 3 metrin varoetäisyys kohteisiin, jotka voivat syttyä tuleen, tai sytytyslähteisiin, kuten vedenlämmittimien merkkilamput, toiminnassa olevat sähkölaitteet jne.



- Älä KOSKAAN yritä sytyttää poltinta niin, että kansi on kiinni. Syttymättömän kaasun kerääntyminen suljetun laitteen sisään on vaarallista.
- Sulje aina kaasupullo ja irrota säädin ennen kaasupullon siirtämistä sille määrätystä käyttöpaikasta.
- Älä koskaan käytä laitetta niin, että kaasupullo on poissa oikealta, sille määrätystä paikalta.
- Älä tee laitteeseen muutoksia. Kaikki muutokset ovat ankarasti kiellettyjä. Käyttäjä ei saa käsitellä suljettuja osia. Älä irrota injektoreita.

## Turvallisuusvinkit

- Tarkista säätimen kiinnitys ennen kaasupullon venttiilin avaamista.
- Sulje kaikki säätönupit ja kytke kaasu pois päältä, kun laitetta ei käytetä.
- Käytä pitkävirtaisia grillivälineitä ja grillikintaita välttääksesi palovammat ja roiskeet. Käytä suojakäsineitä käsitellessäsi kuumia osia.
- Kuumennuslevyn ja sivuhyllyjen maksimitaakka on 4,5 kg. Ruuanlaittoastian minimihalkaisija on 200 mm ja maksimihalkaisija 260 mm.
- Rasva-astia (jos se sisältyy laitteeseen), on asetettava laitteeseen ja tyhjennettävä joka käytön jälkeen. Älä poista rasva-astiaa ennen kuin laite on täysin jäähtynyt.
- Avaa kansi hyvin varovasti, sillä kannen alta voi tulla kuumaa höyryä.
- Ole erittäin varovainen, kun lähistöllä on lapsia, vanhuksia tai lemmikkieläimiä.
- Jos huomaat, että laitteesta tippuu rasvaa tai muuta kuumaa materiaalia venttiilin, letkun tai säätimen päälle, kytke heti kaasu pois päältä. Määritä syy, korjaa vika ja puhdista ja tarkista sitten venttiili, letku ja säädin ennen kuin jatkat. Tee vuototesti.
- Pidä kaasupullon (grillikärryssä) tuuletusaukot avoimina ja puhtaina.
- Älä säilytä grillikärryjen sisällä esineitä tai materiaaleja, jotka voisivat tukkia paloilmän virtaamisen joko säätöpaneelin tai tulipesän alapuolelle.
- ÄLÄ irrota tai vaihda kaasupulloa alle 3 metrin etäisyydellä avotulesta tai muusta sytytyslähteestä.

### Sylinterin sijoitus

Sylinteriä ei voida sijoittaa laitteen alle tai laitteeseen. Sylinterit täytyy sijoittaa laitteen sivuun ja taakse. Sylinterien halkaisija saa olla enintään 310 mm ja korkeus enintään 600 mm.

### Säätimen vaatimukset

Tämän laitteen kanssa on käytettävä säädintä. Käytä vain grillin mukana toimitettua säädintä. Jos säädintä ei ole toimitettu, käytä vain standardin EN12864 tai EN16129 mukaista, sertifioitua säädintä (maksimivirtausnopeus 1,5 kg/tunti), joka on maassasi hyväksytty ja määritelty kaasulle teknisissä tiedoissa.

### Letkun vaatimukset

Käytä vain hyväksyttyä letkua, joka on sertifioitu soveltuvan EN-standardin mukaan ja on pituudeltaan alle 1,5 m. Suomessa letkun pituuden on oltava alle 1,2 m.

Tarkista ennen jokaista käyttökertaa, etteivät letkut ole rikki tai kuluneet. Varmista, ettei letku ole taittunut. Varmista, että letku ei kiinnitettynä kosketa mitään lämmintä pintaa. Vaihda rikkonaiset letkut ennen laitteen käyttöä. Vaihda letkut kansallisten vaatimusten mukaan.

## Sytyttäminen sytyttimellä

### • Älä kumarru laitteen ylle sitä sytyttäessäsi.

1. Käännä kaasupolttimen säätöventtiilit kohtaan ○.
2. Kytke kaasupullo päälle, kohtaan **ON**.
3. **Pidä kansi auki sytyttämisen aikana.**
4. Kun haluat sytyttää, käännä sytytyspolttimen säädin kohtaan ⚡.
5. Paina **ELECTRONIC IGNITION (SÄHKÖSYTYTYS)** -painiketta ja pidä sitä alas painettuna.
6. Jos poltin EI syty 5 sekunnissa, käännä polttimen säätimiä ○, odota 5 minuuttia ja yritä sytyttämistä uudelleen.
7. Sytytä viereiset polttimet vuorotellen painamalla säätimiä alas ja kääntämällä kohtaan ⚡. Jos poltin ei toimi, sytytä tulitikuilla ohjeiden mukaan.



## Sytyttäminen tulitikuilla

### • Älä kumarru laitteen ylle sitä sytyttäessäsi.

1. **Avaa kansi.** Kytke kaasupullo päälle.
2. Laita tulitikku tulitikipidikkeeseen, sytytä tikku ja laita se polttimen aukkojen viereen. (Pidike voi olla vasemmalla tai oikealla puolella.)
3. Paina polttimen säädintä alas ja käännä sitä kohtaan ⚡, jolloin poltin syttyy. Varmista, että poltin syttyy ja pysyy palamassa.
4. Sytytä viereiset polttimet vuorotellen painamalla säätimiä alas ja kääntämällä kohtaan ⚡.

## Kuumennuslevyn sytyttimen sytyttäminen

### • Älä kumarru laitteen ylle sitä sytyttäessäsi

1. **Avaa kuumennuslevyn kansi.** Kytke kaasupullo päälle.
2. Käännä kuumennuslevyn säädin kohtaan ⚡, paina **ELECTRONIC IGNITOR (SÄHKÖSYTYTYS)** -painiketta ja pidä sitä painettuna.
3. Jos kuumennuslevy EI syty ○, käännä säädintä, odota 5 minuuttia ja yritä sytyttämistä uudelleen.

## Kuumennuslevyn sytyttäminen tulitikuilla

1. **Avaa kuumennuslevyn kansi.** Kytke kaasupullo päälle.
2. Laita sytytetty tulitikku polttimon lähelle.
3. Käännä kuumennuslevyn säädin kohtaan ⚡ Varmista, että poltin syttyy ja pysyy palamassa.

## Venttiilien, letkun ja säätimen vuototesti

Vuototesti ennen ensimmäistä käyttöä, mutta vähintään kerran vuodessa, ja joka kerta kun sylinteri vaihdetaan tai sen kytkentä irrotetaan.

1. Käännä kaikki laitteen säätönupit kohtaan ○.
2. Varmista, että säädin on tiukasti kiinni kaasupullossa.
3. Kytke kaasu päälle. Jos kuulet kohisevan äänen, sammuta kaasu välittömästi. Liitoksessa on suuri vuoto. **Korjaa tämä ennen kuin jatkat.**
4. Levitä harjalla saippualluosta (puoliksi saippuaa ja puoliksi vettä) letkun liitoksiin ja alla ympyröidyille alueille.
5. Jos näet kasvavia kuplia, jossain on vuoto. Kytke kaasu pois päältä välittömästi ja tarkista liitokset. Jos et saa vuotoa lopetettua, älä yritä korjata laitetta. Hanki tarvittavat varaosat.
6. Kytke aina kaasu pois päältä vuototestin suorittamisen jälkeen.

## JOS GRILLI EI SYTY

Varmista, että kaasupullo on päällä.

Varmista, että pullossa on kaasua.

Kuuluuko sytyttimestä kohisevaa ääntä?

Jos kuuluu, tarkista, näkyykö polttimessa kipinä.

Jos kipinää ei näy, tarkista näkyykö vaurioita tai irtonaisia johtoja.

Jos johdot ovat OK, tarkista, näkyykö halkeamia tai onko elektrodi rikki, ja vaihda tarpeen mukaan.

Jos johto tai elektrodit ovat ruokajäämien peitossa, puhdista elektrodin kärki pyyhkimällä alkoholilla tarpeen mukaan.

Vaihda tarvittaessa johdot.

Jos ääniä ei kuulu, tarkista akku.

Varmista, että akku on asennettu oikein.

Tarkista, etteivät johdot ole löysällä.

Jos sytytin ei edelleenkään toimi, käytä tulitikkuja.



# HUOMAUTUS



## HÄMÄHÄKKIVAROITUS!

### HÄMÄHÄKKEJÄ JA VERKKOJA POLTTIMEN SISÄLLÄ



Jos grillin sytyttäminen on vaikeaa tai liekit ovat heikot, tarkista ja puhdista venturi ja polttimet.

Hämähäkit tai pienet hyönteiset voivat saada aikaan takaisinvirtausongelmia rakentamalla pesiä ja munimalla grillin venturiin tai polttimoon ja näin tukkimalla kaasuvirtauksen. Takaisin virtaava kaasu voi syttyä säätöpaneelin takana. Tämä voi vahingoittaa grilliä ja aiheuttaa vamman. Takaisinvirtauksen estämiseksi ja oikean toiminnan takaamiseksi poltin ja venturiputki pitäisi poistaa ja puhdistaa aina, kun grilli on ollut käyttämättömänä pidemmän aikaa.

## TEKNISET TIEDOT

Char-Broil, LLC				
Laitteen nimi	Kaasugrilli			
Nimellinen yhteensä	14 kW (1 018g/h)			
Kaasuluokka	I3+(28-30/37)	I3B/P(30)	I3B/P(50)	
Mallinumero	468201115			468101115
Kaasutyyppi	Butaani	Propani	Butaani, propaani tai niiden seokset	Butaani, propaani tai niiden seokset
Kaasun paine	28-30 mbar	37 mbar	28-30 mbar	50 mbar
Injektoren koko (halk. mm)	Grilli: 0,91 x 4 kpl		Grilli: 0,91 x 4 kpl	Grilli: 0,81 x 4 kpl
	Kuumennuslevy: 0,75		Kuumennuslevy: 0,75	Kuumennuslevy: 0,64
Kohdemaat	GB, FR, IE, BE, ES, IT, PT, CZ		DK, NO, NL, SE, FI, RO, IS, CZ, IT	AT, DE, SK, CH, LU



## Polttimen puhdistaminen

Noudata näitä ohjeita, kun puhdistat ja/tai vaihdat polttimen osia tai jos sinulla on vaikeuksia sytyttää laitetta.

1. Kytke kaasu pois päältä säätönupeista ja pullosta.
2. Poista ritilät, parilat, poltinten väliset putket ja polttimet.
3. Irrota elektrodi polttimesta.
4. Nosta varovasti poltin ylös ja kauemmas venttiilin aukoista.
5. Ehdotamme kolmea tapaa polttimen putkien puhdistamiseen. Käytä sinulle helpointa tapaa.

(A) Taivuta jäykkä rautalanka (kevyt vaateripustin sopii hyvin) pieneksi koukuksi. Kuljeta koukku kunkin polttimen putken läpi useita kertoja.

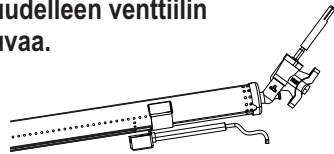
(B) Käytä kapeaa pulloharjaa, jossa on taipuisa varsi (älä käytä metalliharjaksista harjaa), kuljeta harjaa kunkin polttimen putken läpi useita kertoja.

(C) Käytä silmiensuojausta. Käytä ilmaletkua ilman pakottamiseksi polttimen putkeen ja ulos sen venttiileistä. Tarkista jokainen venttiili, jotta ilmaa tulee varmasti joka aukosta.

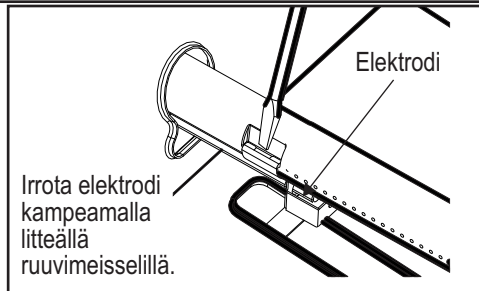
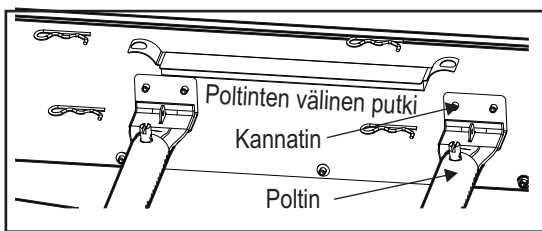
6. Harjaa teräsharjalla koko polttimen ulkopinta poistaaksesi ruokajäämät ja lian.
7. Puhdista mahdollisesti tukkeutuneet venttiilit jäykällä rautalangalla, esimerkiksi suoristetulla paperiliittimellä.
8. Tarkista poltin normaalikäytön ja ruostumisen aiheuttamien vaurioiden varalta, joiden takia jotkin reiät voivat suurentua. Jos löydät suuria halkeamia tai reikiä, vaihda poltin.

**ERITTÄIN TÄRKEÄÄ: Polttimen putkien on kytkeydyttävä uudelleen venttiilin aukkoihin. Katso olevaa kuvaa.**

**Oikein polttimeen kytketty venttiili.**



9. Kiinnitä elektrodi polttimeen
10. Vaihda polttimet varovasti.
11. Kiinnitä polttimet tulipesän kannattimiin.
12. Kiinnitä polttimiin uudelleen poltinten väliset putket. Vaihda parilat ja ruuanvalmistusritilät.



## Laitteen säilyttäminen

- Puhdista ritilät.
- Säilytä kuivassa paikassa.
- Säilytä laitetta ulkona, hyvin tuuletetussa tilassa ja lasten ulottumattomissa, kun kaasupullo on kiinni laitteessa.
- Peitä laite, jos sitä säilytetään ulkona.
- Säilytä laitetta sisällä VAIN, jos kaasupullo on kytketty pois päältä ja irrotettu, poistettu laitteesta ja sitä säilytetään ulkona.
- Kun otat laitetta pois säilytyksestä, tarkista poltin mahdollisten tukkeumien varalta.

## Laitteen yleinen puhdistaminen

- Puhdista laite usein, mielellään jokaisen käyttökerran jälkeen. Jos käytät karkeaa harjaa laitteen jonkin keittopinnan puhdistamiseen, varmista ennen grillausta, ettei harjaksia ole jäänyt keittopinnoille. Keittopintojen puhdistaminen laitteen ollessa kuuma ei ole suositeltavaa. Laite on puhdistettava vähintään kerran vuodessa.
- Älä erehdy luulemaan ruskeita tai mustia rasva- ja nokikertymiä maaliksi. Kaasugrillien sisäosia ei maalata tehtaalla (**eikä niitä pidä koskaan maalata**). Käytä vahvaa pesuaineen ja veden sekoitusta tai käytä grillinpuhdistusainetta ja harjaa laitteen kannen ja pohjan sisäpuolet. Huuhtelee ja anna ilmakeivua kokonaan. **Älä käytä emäksistä grillin-/uuninpuhdistusainetta maalatuille pinnoille.**
- **Muoviosat:** Pese lämpimällä saippuavedellä ja pyyhi kuivaksi.
  - Älä käytä muoviosiin sitruspohjaisia tai hankaavia puhdistusaineita, rasvanpoistoaineita tai konsentroituja grillinpuhdistusaineita. Nämä voivat aiheuttaa osien vahingoittumisen ja voittumisen.
- **Posliinipinnat:** Lasinkaltaisen koostumuksen ansiosta useimmat jäämät voidaan pyyhkiä pois leivin jauhe-vesiliuoksella tai erityispuhdistusaineella. Käytä itse pintaisiin tahroihin hankaamatonta puhdistusjauhetta.
- **Maalatut pinnat:** Pese miedolla pesuaineella tai hankaamattomalla puhdistusaineella ja lämpimällä saippuavedellä. Pyyhi kuivaksi pehmeällä, hankaamattomalla liinalla.
- **Ruostumattomasta teräksestä valmistetut pinnat:** Jotta grilli pysyisi ulkonäöltään mahdollisimman hyvänä, pese se miedolla pesuaineella ja lämpimällä saippuavedellä ja kuivaa pehmeällä liinalla jokaisen käyttökerran jälkeen. Kiinni palaneet rasvajäämät voivat vaatia muovisen hankaussienen käyttöä. Käytä vain harjatun viimeistelyn suuntaisesti välttääksesi vauriot. Älä käytä hankaussientä alueilla, joilla on kuvia.
- **Keittopinnat:** Jos käytät karkeaa harjaa laitteen jonkin keittopinnan puhdistamiseen, varmista ennen grillausta, ettei harjaksia ole jäänyt keittopinnoille. Keittopintojen puhdistaminen laitteen ollessa kuuma ei ole suositeltavaa.

## INSTALADOR:


Entregue este manual al cliente.

## CLIENTE:


Conserve este manual para consultas futuras.

## Preguntas:

Si tiene alguna pregunta durante el ensamble o el uso de esta unidad, contacte a su distribuidor local.




# PELIGRO




Si siente olor a gas:


1. Corte el paso de gas a la unidad.
2. Apague toda llama al descubierto.
3. Abra la tapa.
4. Si el olor persiste, aléjese de la unidad y llame inmediatamente a su compañía de gas o a los bomberos.




# ADVERTENCIA



1. No almacene o use gasolina o cualquier otro líquido inflamable cerca de esta unidad o de cualquier otro dispositivo.
2. Los cilindros de gas que no estén conectados para su uso no deben guardarse cerca de esta unidad o de cualquier otro dispositivo.



# PRECAUCIÓN



- Lea y siga todas las indicaciones de seguridad, instrucciones para el ensamble, e instrucciones de uso y cuidado antes de intentar ensamblar la unidad y comenzar a cocinar.
- Algunas partes pueden tener bordes cortantes. Se recomienda usar guantes protectores.

**Incendios provocados por grasa**

- No se pueden apagar los incendios provocados por grasa cerrando la tapa. Por razones de seguridad, las parrillas se encuentran muy bien ventiladas.
- No use agua para intentar apagar incendios provocados por grasa, ya que esto puede causar lesiones físicas. Si se produce un incendio persistente provocado por grasa, cierre las perillas y el cilindro de gas.
- Si no se limpia la unidad regularmente, podría producirse un incendio provocado por grasa que dañaría la unidad. Mientras precalienta o quema residuos de alimentos, preste especial atención para asegurarse de que no se produzca un incendio provocado por grasa. Para evitar incendios provocados por grasa, siga las instrucciones de limpieza general de la unidad y limpieza del ensamble del quemador.
- La mejor forma para prevenir incendios provocados por grasa es la limpieza regular de la unidad.

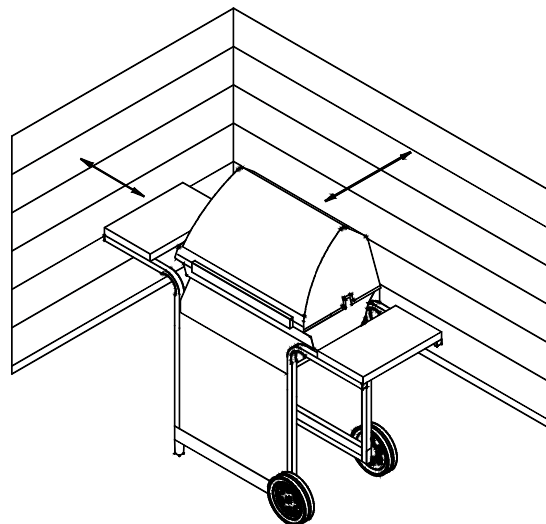


# ADVERTENCIA



### Para un uso seguro de la unidad y para evitar lesiones graves:

- **USE LA UNIDAD SÓLO AL AIRE LIBRE. NUNCA USE LA UNIDAD BAJO TECHO.**
- Lea las instrucciones antes de usar la unidad. Siga siempre estas instrucciones.
- No mueva la unidad durante su uso.
- Las partes accesibles pueden estar muy calientes. Mantenga la unidad fuera del alcance de los niños. No le permita a los niños operar o jugar cerca de la unidad.
- Corte el suministro de gas del cilindro luego de su uso.
- Mantenga cualquier material inflamable lejos de la unidad durante su uso.
- No obstruya los orificios de los lados y la parte trasera de la unidad.
- Controle con regularidad las llamas del quemador.
- No obstruya las aberturas de entrada del difusor en el quemador.
- Use la unidad sólo en espacios bien ventilados. NUNCA use la unidad en espacios cerrados, tales como cobertizos para vehículos, garajes, porches, patios cubiertos o bajo cualquier tipo de estructura elevada.
- No use carbón o ladrillos cerámicos en una unidad a gas.
- **NO** cubra las rejillas con papel aluminio o cualquier otro material. Esto obstruirá la ventilación del quemador y podría producirse una condición peligrosa, resultando en daños materiales y/o lesiones físicas.
- **Use la unidad por lo menos a 1 metro de distancia de cualquier pared o superficie.** Mantenga a los objetos inflamables y las fuentes de ignición (pilotos de calentadores de agua, dispositivos eléctricos encendidos en modo de suspensión, etc.) a una distancia de al menos 3 metros de la unidad.



- NUNCA intente encender el quemador con la tapa cerrada. La acumulación de gas no encendido dentro de una unidad cerrada representa un serio peligro.
- Corte siempre el suministro de gas del cilindro y desconecte el regulador antes de mover el cilindro de gas de la posición prevista para su operación.
- Nunca opere la unidad con el cilindro de gas fuera de la posición prevista correcta.
- No modifique la unidad. Queda estrictamente prohibida cualquier modificación a la unidad. El usuario no debe manipular las partes selladas. No desarme los inyectores.

## Consejos de seguridad

- Antes de abrir la válvula del cilindro de gas, verifique el ajuste del regulador.
- Cuando la unidad no esté en uso, cierre todas las perillas y corte el gas.
- Use utensilios de barbacoa de mango largo y guantes térmicos para evitar quemaduras y salpicaduras. Use guantes protectores para manipular componentes calientes.
- La carga máxima que soporta la placa calefactora y el estante lateral es de 4,5 kg. El diámetro mínimo de bandeja de cocción es de 200 mm. y el máximo es de 260 mm.
- Debe introducirse la bandeja de grasa (si está incluida) dentro de la unidad, y vaciarse después de cada uso. No retire la bandeja de grasa hasta que la unidad se enfríe por completo.
- Abra la tapa con extremo cuidado, ya que puede haber escapes de vapores calientes.
- Tenga mucho cuidado cuando se encuentren niños, personas mayores o mascotas cerca de la unidad.
- Si nota grasa o cualquier otro material caliente sobre la válvula, manguera o regulador, cierre inmediatamente el suministro de gas. Determine la causa, corrijala, y luego limpie e inspeccione la válvula, manguera y regulador antes de continuar. Verifique que no haya fugas.
- Mantenga las aberturas de ventilación en la caja del cilindro (carro de la unidad) libres de obstrucciones y residuos.
- No coloque objetos o materiales que puedan bloquear el flujo del aire hacia la parte inferior del panel de control y de la caja de la cámara de combustión.
- NO desconecte o cambie el contenedor de gas a menos de 3 metros de distancia de una llama encendida o cualquier otra fuente de ignición.

## Ubicación del cilindro

Los cilindros no pueden colocarse debajo o dentro de la unidad. Éstos deben ubicarse a los lados de la unidad o en su parte trasera y deben tener un diámetro máximo de 310mm y una altura máxima de 600mm.

## Requerimientos del regulador

Esta unidad requiere el uso de un regulador. Use únicamente el regulador de gas incluido en su parrilla. Si no se incluye un regulador, entonces use únicamente un regulador certificado, de conformidad con la norma EN12864 o EN16129 (caudal máx. de 1,5 kg/h) y aprobado para usar en su país, según las especificaciones de gas que se muestran en la hoja de datos técnicos.

## Requerimientos de la manguera

Use sólo una manguera aprobada que esté certificada según las normas EN correspondientes y que no exceda una longitud de 1,5 m. En Finlandia, la longitud de la manguera no debe exceder 1,2 m.

Verifique que las mangueras no tengan cortes o estén dañadas antes de cada uso. Asegúrese de que la manguera no esté torcida. Asegúrese de que la manguera no toque ninguna superficie caliente cuando esté conectada. Reemplace las mangueras dañadas antes de usar la unidad. Reemplace las mangueras de acuerdo a los requerimientos nacionales.

## Encendido

### • No se apoye sobre la unidad al encenderla

1. Gire las válvulas de control del quemador a gas a ○ .
2. Encienda el suministro de gas del cilindro.
3. **Abra la tapa durante el encendido.**
4. Para encender, gire la perilla de encendido del quemador a ↗ .
5. Presione y mantenga presionado el botón **ELECTRONIC IGNITION** (encendido eléctrico).
6. Si NO enciende en 5 segundos, gire los controles del quemador ○ , espere 5 minutos y repita el procedimiento de encendido.
7. Encienda los quemadores continuos en secuencia, presionando las perillas hacia adentro y girando hacia ↘ . Si el encendedor no funciona, siga las instrucciones de encendido usando fósforos.



## Encendido con fósforos

### • No se apoye sobre la unidad al encenderla

1. **Abra la tapa.** Encienda el suministro de gas del cilindro.
2. Coloque el fósforo dentro del portafósforos, encienda el fósforo y colóquelo al lado de las aberturas del quemador. (El portafósforos puede encontrarse tanto sobre el lado izquierdo como el derecho.)
3. Presione y gire la perilla del quemador para encenderlo ↘ . Asegúrese de que se encienda el quemador y que permanezca encendido.
4. Encienda los quemadores continuos en secuencia, presionando las perillas hacia adentro y girando hacia ↘ .

## Encendido de placa calefactora

### • No se apoye sobre la unidad al encenderla.


1. **Abra la tapa de la placa calefactora.** Encienda el suministro de gas del cilindro.
2. Gire la perilla de la placa calefactora hacia ↘ , presione y mantenga presionado el botón ELECTRONIC IGNITOR.
3. Si la placa calefactora NO enciende, gire la perilla hacia ○ espere 5 minutos y repita el procedimiento de encendido.

## Encendido de la placa calefactora usando fósforos

1. **Abra la tapa de la placa calefactora.** Abra el suministro de gas del cilindro.
2. Coloque el fósforo encendido cerca del quemador.
3. Gire la perilla de la placa calefactora ↘ para asegurarse que se encienda el quemador y que permanezca encendido.

## Prueba de fugas en válvulas, manguera y regulador

Realice una prueba de fugas al menos una vez al año o cada vez que se cambie o se desconecte el cilindro.

1. Gire todas las perillas de control de la unidad hacia .
2. Asegúrese de que el regulador se encuentre conectado y bien ajustado al cilindro de gas.
3. Abra el suministro de gas. Si escucha un sonido de ráfaga, corte el suministro de gas inmediatamente. Hay una fuga importante en la conexión. **Repárela antes de continuar.**
4. Pase un cepillo con agua jabonosa (una mezcla de mitad jabón y mitad agua) sobre las conexiones de las mangueras y las áreas dibujadas con un círculo que se muestran a continuación.
5. Si se forman burbujas, hay una fuga. Corte inmediatamente el suministro de gas y verifique que las conexiones estén bien ajustadas. Si no puede detener la fuga, no intente repararla. Llámenos para ordenar una pieza de repuesto.
6. Corte siempre el suministro de gas del cilindro luego de verificar si existe alguna fuga.

## SI LA UNIDAD NO ENCIENDE

Asegúrese de que el suministro de gas del cilindro se encuentra abierto.

Asegúrese de que el cilindro tenga gas.

¿El encendido hace un ruido chispeante?

Si es así, verifique que el quemador haga chispa.

Si no hay chispa, verifique que no haya cables dañados o sueltos.

Si los cables no están dañados, verifique que el electrodo no se encuentre quebrado o dañado, y reemplácelo de ser necesario.

Si los cables o electrodos se encuentran tapados por residuos de cocción, limpie las puntas del electrodo con un trapo con alcohol de ser necesario.

Si es necesario, reemplace los cables.

Si no hay sonido, verifique la batería.

Asegúrese de que la batería esté bien instalada.

Verifique que no haya conexiones de cables sueltos en el modulo y el interruptor.

Si aún no enciende, use un fósforo.



# PRECAUCIÓN



**¡ALERTA DE ARAÑAS!**

**ARAÑAS Y TELARAÑAS  
DENTRO DEL QUEMADOR**



Si se dificulta encender su parrilla, o la llama es débil, verifique y limpie los difusores y quemadores.

Las arañas e insectos pequeños suelen producir "fogonazos" al construir sus nidos y poner huevos en el difusor o quemador de la parrilla, obstruyendo el flujo de gas. El gas acumulado puede encenderse detrás del panel de control. Este fogonazo puede dañar su parrilla y causarle lesiones. Para evitar los fogonazos y asegurar un buen rendimiento, los ensambles del quemador y el tubo difusor deben quitarse y limpiarse cuando la parrilla esté sin uso durante un período de tiempo prolongado.

## INFORMACIÓN TÉCNICA

Char-Broil, LLC				
Nombre de la unidad	Parrilla a gas/Asador a gas			
Total nominal	14 kW (1 018g/h)			
Categoría de gas	I3+(28-30/37)		I3B/P(30)	I3B/P(50)
No. de modelo	468201115		468101115	
Tipo de gas	Butano	Propano	Butano, Propano o su mezcla	Butano, Propano o su mezcla
Presión de gas	28-30 mbar	37 mbar	28-30 mbar	50 mbar
Tamaño de inyector (diámetro en mm.)	Parrilla: 0,91 x 4 piezas Placa calefactora: 0,75		Parrilla: 0,91 x 4 piezas Placa calefactora: 0,75	Parrilla: 0,81 x 4 piezas Placa calefactora: 0,64
Países de destino	GB, FR, IE, BE, ES, IT, PT, CZ		DK, NO, NL, SE, FI, RO, IS, CZ, IT	AT, DE, SK, CH, LU



## Limpeza del ensamble del quemador

Siga los siguientes pasos para la limpieza y/o cambio de partes del ensamble del quemador, o si experimenta problemas para encender la unidad.

1. Corte el gas de las perillas de control y del cilindro.
2. Quite las rejillas de cocción, difusores de calor, tubos de arrastre y quemadores.
3. Separe el electrodo del quemador.
4. Levante cada quemador con cuidado y lejos de las aberturas de válvulas.
5. Recomendamos tres formas de limpiar los tubos del quemador. Use la que le sea más sencilla.

(A) Doble un alambre duro (una percha liviana funciona muy bien) y arme un gancho pequeño. Pase varias



(B) Use un cepillo para botellas angostas con un mango flexible (no use un cepillo de alambre de latón), pase el cepillo por cada quemador varias veces.

(C) Use protección para los ojos: Use una manguera de aire para que el aire entre por el tubo del quemador, y salga por las aberturas del quemador. Verifique cada abertura para asegurarse de que salga aire por cada orificio.

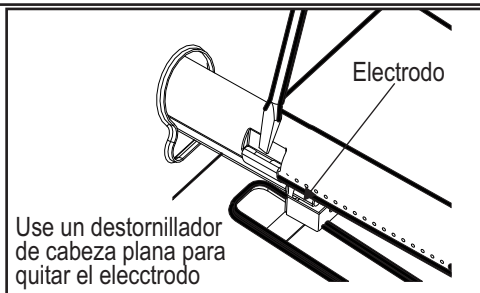
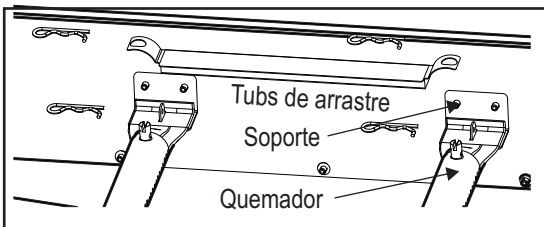
6. Pase un cepillo de alambre sobre toda la superficie exterior del quemador para remover los residuos de alimento y polvo.
7. Limpie cualquier abertura que este bloqueada con un alambre rígido, como por ejemplo un sujetapapeles.
8. Verifique que el quemador no esté dañado. Algunos agujeros pueden estar agrandados por causa del desgaste normal del uso y la corrosión. Si se encuentran grietas grandes o agujeros, reemplace el quemador.

**MUY IMPORTANTE: Los tubos del quemador deben reconectarse a las aberturas de válvulas. Vea la imagen.**

**Corrija la conexión del quemador a la válvula**



9. Conecte el electrodo al quemador
10. Reemplace los quemadores con mucho cuidado.
11. Conecte los quemadores a los soportes en la caja de combustión.
12. Reposicione los tubos de arrastre y conéctelos a los quemadores. Reemplace los difusores de calor y rejillas de cocción.



Use un destornillador de cabeza plana para quitar el electrodo

## Cómo guardar su unidad

- Limpie las rejillas de cocción.
- Guarde en un lugar seco.
- Cuando el cilindro de gas esté conectado a la unidad, guárdelo al aire libre en un espacio bien ventilado y fuera del alcance de los niños.
- Cubra la unidad si se guarda al aire libre.
- Guarde la unidad bajo techo SÓLO si el cilindro de gas se encuentra cerrado y desconectado
- Cuando retire la unidad para guardarla, verifique que no hayan obstrucciones en el quemador.

## Limpeza general de la unidad

- Limpie la unidad con frecuencia, preferentemente luego de cada uso. Si utiliza un cepillo de cerdas suaves para limpiar cualquiera de las superficies de cocción de la unidad, asegúrese que no queden cerdas en las superficies antes de usarla. No se recomienda limpiar la unidad cuando se encuentra caliente. La unidad debe limpiarse por lo menos una vez al año.
- No confunda por pintura a la acumulación de grasa de color marrón o negro y humo. Los interiores de las parrillas a gas no vienen pintadas de fábrica (**y no deben pintarse nunca**). Use una solución de detergente y agua o un limpiador especial, y una escobilla para limpiar las partes interiores de la tapa y la parte inferior de la unidad. Enjuague y deje secar por completo. **No use un limpiador de hornos cáustico en las superficies pintadas.**
- **Partes de plástico:** Lave con agua tibia y jabón, y seque con un trapo.
  - No use Citrisol, limpiadores abrasivos, desengrasantes o limpiadores concentrados para limpiar las partes de plástico. Estas partes pueden dañarse o fallar.
- **Superficies de porcelana:** Por su composición vítrea, la mayoría de los residuos pueden quitarse con una solución de bicarbonato de sodio y agua, o con limpiadores de formulación especial. Use un polvo desengrasante no abrasivo para las manchas difíciles.
- **Superficies pintadas:** Lave con un detergente suave o limpiadores no abrasivos, y agua tibia y jabón. Seque con un trapo suave y no abrasivo.
- **Superficies de acero inoxidable:** Para mantener la apariencia de alta calidad de su unidad, lávela con un detergente suave y agua tibia y jabón, y séquela con un trapo suave luego de cada uso. Para remover la grasa acumulada luego de varias cocciones, puede necesitar el uso de una almohadilla limpiadora abrasiva de plástico. Use sólo en la dirección del acabado para evitar daños. No use almohadillas abrasivas en áreas que contienen imágenes.
- **Superficies de cocción:** Si utiliza un cepillo de cerdas suaves para limpiar cualquiera de las superficies de cocción de la unidad, asegúrese de que no queden cerdas en las superficies antes de usarla. No se recomienda limpiar las superficies de cocción cuando la unidad se encuentra caliente.

## INSTALADOR/MONTADOR:


Deixe este manual com o consumidor.

## CONSUMIDOR:


Guarde este manual para consulta futura.

## Perguntas:

Se você tiver perguntas durante a montagem ou uso deste aparelho, contacte o seu concessionário local.




# PERIGO




Se tiver cheiro de gás:


1. Desligue o gás do aparelho.
2. Apague qualquer fogo que estiver aceso.
3. Abra a tampa.
4. Se o cheiro persistir, mantenha-se afastado do aparelho e contacte imediatamente o seu fornecedor de gás ou os bombeiros.




# AVISO



1. Não armazene ou utilize gasolina ou outros líquidos inflamáveis nas proximidades deste ou de qualquer outro aparelho.
2. Um cilindro de gás que não estiver ligado para utilização não deve ser armazenado na proximidade deste ou de qualquer outro aparelho.




# CUIDADO




- Leia e siga todos os avisos de segurança, instruções de montagem e utilização e orientações sobre cuidados antes de tentar montar e cozinhar.
- Algumas peças podem conter bordas afiadas. É recomendado utilizar luvas de protecção.

**Fogo em gordura**

- Não é possível apagar o fogo em gordura fechando a tampa. As grelhas são bem ventiladas por razões de segurança.
- Não use água no fogo em gordura, pois pode provocar ferimentos. Se o fogo em gordura persistir, desligue os botões e o cilindro de gás.
- Se o aparelho não tiver sido devidamente limpo, pode ocorrer fogo em gordura que pode danificar o produto. Preste muita atenção enquanto fizer o pré-aquecimento ou queima de resíduos de alimentos para garantir que não ocorra fogo em gordura. Siga as instruções em Limpeza geral do aparelho e Limpeza do conjunto do queimador para evitar fogo em gordura.
- A melhor maneira de evitar fogo em gordura é a limpeza regular do aparelho.

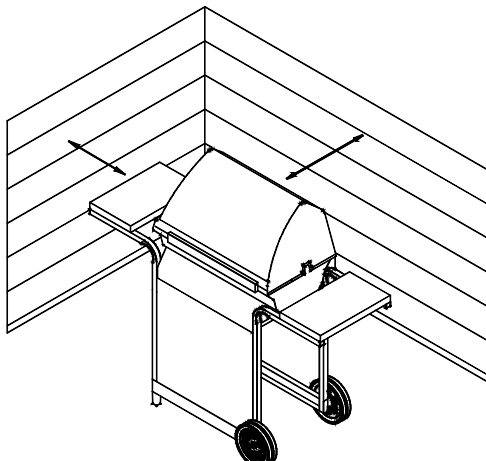


# AVISO



Para a utilização segura do seu aparelho e para evitar ferimentos graves:

- **USE APENAS EM AMBIENTES EXTERNOS. NUNCA USE EM LOCAIS FECHADOS.**
- **Leia as instruções antes de utilizar o aparelho. Siga sempre estas instruções.**
- Não mova o aparelho durante a utilização.
- As peças acessíveis podem estar muito quentes.
- Mantenha as crianças longe do local. Não deixe as crianças mexerem ou brincar próximo do aparelho.
- Desligue o fornecimento de gás do cilindro após o uso.
- Este aparelho deve ser mantido afastado de materiais inflamáveis durante a utilização.
- Não obstrua os furos nas laterais ou na parte traseira do aparelho.
- Verifique as chamas dos queimadores regularmente.
- Não obstrua as aberturas venturi no queimador.
- Utilize o aparelho somente em espaço bem ventilado. **NUNCA** use em espaço fechado, tais como abrigo para veículo, garagem, alpendre, pátio coberto ou debaixo de uma cobertura de qualquer tipo.
- Não use carvão ou briquetes de cerâmica em um aparelho à gás.
- **NÃO** cubra as grelhas com folha de alumínio ou qualquer outro material. Isto irá bloquear a ventilação do queimador e criar uma condição possivelmente perigosa, e pode causar danos materiais e/ou ferimentos.
- **Utilize o aparelho pelo menos a 1 m de distância de qualquer parede ou superfície.** Mantenha 3 m de distância de objectos que possam pegar fogo ou fontes de ignição, como luzes-piloto de aquecedores de água, equipamentos eléctricos ligados, etc.



- **NUNCA** tente acender queimador com a tampa fechada. O acúmulo de gases não queimados no interior de um aparelho fechado é perigoso.
- Sempre desligue o gás no cilindro e desconecte o regulador antes de mover o cilindro de gás de uma determinada posição de funcionamento.
- Nunca utilize o aparelho com o cilindro de gás fora da posição correcta especificada.
- Não modifique o aparelho. Quaisquer modificações são estritamente proibidas. As peças seladas não devem ser manuseadas pelo usuário. Não desmonte os injectores.

## Dicas de segurança

- Antes da abertura da válvula do cilindro de gás, verifique se o regulador está apertado.
- Quando o aparelho não estiver em uso, desligue todos os botões de controlo e de gás.
- Utilize utensílios longos para churrasco e luvas de forno para evitar queimaduras e respingos. Utilize luvas de protecção quando manusear componentes quentes.
- A carga máxima da chapa quente e da prateleira lateral é de 4,5 Kg. O diâmetro mínimo da panela deve ser de 200mm e o máximo de 260 mm.
- A bandeja de gordura (se equipado) **deve** ser inserida no aparelho e esvaziada após cada utilização. Não remova a calha de gordura até o aparelho estar completamente arrefecido.
- Tenha muito cuidado quando abrir a tampa, pois vapor quente pode escapar.
- Tenha muito cuidado quando crianças, idosos ou animais estão próximos.
- Se você observar gordura ou outro material quente pingar do aparelho na válvula, na mangueira ou no regulador, desligue a alimentação de gás imediatamente. Encontre a causa e corrija, em seguida, limpe e inspecione a válvula, a mangueira e o regulador antes de continuar. Efectue um teste de fugas.
- Mantenha as aberturas de ventilação no compartimento do motor (carrinho do aparelho) livres e isentas de detritos.
- Não guarde objectos ou materiais no interior do gabinete do carrinho do aparelho para não bloquear o fluxo de ar de combustão para a parte inferior do painel de controlo, ou da tampa na fornalha.
- NÃO desconecte ou troque o recipiente de gás a menos de 3m de uma chama ou outra fonte de ignição.

## Colocação do cilindro

Os cilindros não podem ser colocados debaixo ou dentro do aparelho, mas sim do lado ou atrás dele. Eles devem ter um diâmetro máximo de 310 mm e altura máxima de 600 mm.

## Requisitos do regulador

Deve ser utilizado um regulador com este aparelho. Use somente regulador de gás fornecido com sua churrasqueira. Se o regulador não for fornecido, então use somente regulador certificado segundo a norma EN12864 ou EN16129 (taxa de fluxo máx. 1,5 Kg/h) e aprovado para o seu país e o gás indicado nos Dados técnicos.

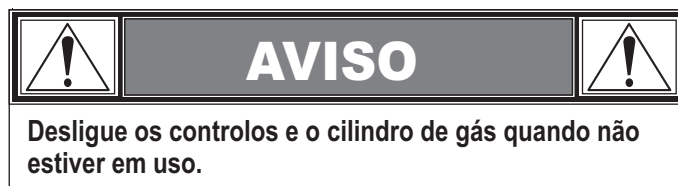
## Requisitos da mangueira

Utilize apenas mangueira aprovada que esteja certificada para a norma EN adequada e que não seja maior que 1,5 m de comprimento. Na Finlândia, o comprimento da mangueira não deve ser maior que 1,2 m.

Antes de cada utilização, verifique se as mangueiras estão cortadas ou desgastadas. Verifique se a mangueira não está dobrada. Certifique-se de que a mangueira conectada não toque em nenhuma superfície quente. Substitua as mangueiras danificadas antes de usar o aparelho. Substitua a mangueira conforme exigido pelos requisitos nacionais.

## Accionamento do acendedor

- **Não se debruce sobre o aparelho quando for acender.**
  1. Ligue as válvulas de controlo do queimador de gás para ○.
  2. **LIGUE** o gás no cilindro.
  3. **Abra a tampa quando for acender.**
  4. Para accionar, gire o botão do de ignição do queimador para ↗.
  5. Prima e mantenha premido o botão do ACCIONAMENTO ELECTRÓNICO.
  6. Se a ignição NÃO ocorrer em 5 segundos, gire os controlos do queimador ○, espere 5 minutos e repita o processo de acendimento.
  7. Acenda os queimadores adjacentes na sequência premindo os botões e girando para ↘. Se o accionador não funcionar, siga as instruções de acendimento com fósforos.



## Acendimento com fósforos

- **Não se debruce sobre o aparelho quando for acender.**
  1. **Abra a tampa.** Ligue o gás no cilindro.
  2. Coloque o fósforo no suporte, acenda e coloque perto das portas do queimador. (o suporte está no lado esquerdo ou direito.)
  3. Empurre para dentro e gire o botão ↘ do queimador para do queimador que está a acender. Certifique-se de que o queimador acenda e permaneça aceso.
  4. Acenda os queimadores adjacentes na sequência premindo os botões e girando para ↘.

## Accionamento do acendedor da chapa quente


- **Não se debruce sobre o aparelho quando for acender.**
  1. **Abra a tampa da chapa quente.** Ligue o gás no cilindro.
  2. Gire o botão da chapa quente para ↘, prima e mantenha premido o botão do ACCIONADOR ELECTRÓNICO.
  3. Se a chapa quente não acender, gire o botão para ○ e aguarde 5 minutos, em seguida, repita o processo de acendimento.

## Acendimento da chapa quente com fósforos

1. **Abra a tampa da chapa quente.** Ligue o gás no cilindro.
2. Coloque o fósforo aceso perto do queimador.
3. Gire o botão da Chapa quente para ↘ e certifique-se de que o queimador acende e permanece aceso.

## Teste de vazamentos de válvulas, mangueira e regulador

Faça um teste para verificar se não há vazamentos pelo menos uma vez por ano e sempre que o cilindro for trocado ou desconectado.

1. Gire todos os botões de controlo do aparelho para .
2. Certifique-se de que o regulador está conectado com segurança ao cilindro de gás.
3. Ligue o gás. Se você ouvir *um som de vazamento*, desligue o gás imediatamente. Existe uma fuga importante na conexão. **Corrija antes de prosseguir.**
4. Passe uma solução de sabão (mistura de metade sabão, metade água) nas conexões da mangueira e áreas de abaixo ao redor.
5. Se aparecerem *bolhas*, existe vazamento. Desligue o gás no cilindro imediatamente e verifique se as conexões estão apertadas. Se o vazamento não pode ser parado não tente consertar. Solicite peças de substituição.
6. Sempre desligue o gás no cilindro após realizar teste de vazamento.

## SE O APARELHO NÃO ACENDER

Certifique-se de que o gás está ligado no cilindro. Verifique se há gás no cilindro.

O accionador faz um ruído de acendimento?

Se sim, verifique se há faísca no queimador.

Se não houver faísca, verifique se há fios danificados ou soltos.

Se os fios estiverem correctos, verifique se há electrodos rachados ou quebrados e substituir se necessário.

Se o fio ou electrodos são cobertos por resíduo de cozimento, limpe a ponta do electrodo com álcool de limpeza se necessário.


Se necessário, substitua os fios.

Se não houver som, verifique a bateria.


Certifique-se de que a bateria se encontra correctamente instalada.

Verifique se há conexão solta do fio ao módulo e ao interruptor.

Se o accionador continuar a não funcionar, então use os fósforos.




# CUIDADO



## ALERTA DE ARANHAS!

### ARANHAS E TEIAS DENTRO DO QUEIMADOR



Se a sua churrasqueira ficar mais difícil de acender ou com fogo fraco, verifique e limpe os venturis e os queimadores.

Sabe-se que aranhas ou pequenos insetos criam problemas de refluxo, com a criação de ninhos e pondo ovos no venturi ou no queimador da churrasqueira, causando a obstrução do fluxo de gás. O gás retornado pode acender por trás do painel de controlo. Esse refluxo pode danificar sua churrasqueira e causar ferimentos. Para evitar refluxos e garantir um bom desempenho, o queimador e o conjunto do tubo venturi devem ser removidos e limpos sempre que a churrasqueira estiver parada por um longo período de tempo.

## DADOS TÉCNICOS

Char-Broil, LLC				
Nome do aparelho	Churrasqueira a gás/Grill à gás			
Total nominal	14 kW (1 018g/h)			
Categoria de gás	I3+(28-30/37)	I3B/P(30)	I3B/P(50)	
Modelo nr.	468201115		468101115	
Tipo de gás	Butano	Propano	Butano, propano ou suas misturas	Butano, propano ou suas misturas
Pressão do gás	28-30 mbar	37 mbar	28-30 mbar	50 mbar
Tamanho do injector (Diâm. Mm)	Grelha: 0,91 X 4 peças		Grelha: 0,91 X 4 peças	Grelha: 0,81 X 4 peças
	Chapa quente: 0,75		Chapa quente: 0,75	Chapa quente: 0,64
Destino de países	GB, FR, IE, BE, ES, IT, PT, CZ		DK, NO, NL, SE, FI, RO, IS, CZ, IT	AT, DE, SK, CH, LU



## Limpeza do conjunto do queimador

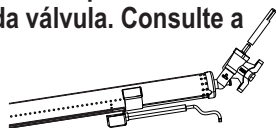
Siga estas instruções para limpar e/ou substituir peças do conjunto do queimador ou se tiver problemas para acender o aparelho.

1. Desligue o gás nos botões de controlo e no cilindro.
2. Remova as grelhas de cozinhar, os controlos de chama, tubos e queimadores de transição.
3. Desconecte o electrodo do queimador.
4. Levante com cuidado cada queimador e os retire das aberturas de válvula.
5. Sugerimos três formas para limpar os tubos dos queimadores. Use o que for mais fácil para você.  
(A) Dobre um fio rígido (um cabide leve funciona bem) para formar um pequeno gancho. Passe o gancho através do tubo de cada queimador várias vezes.



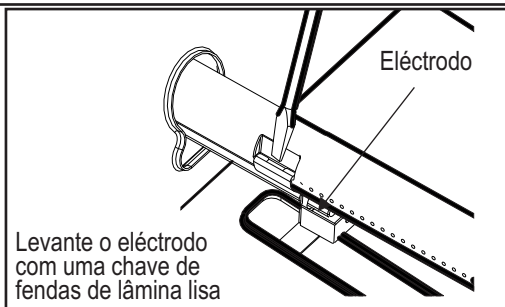
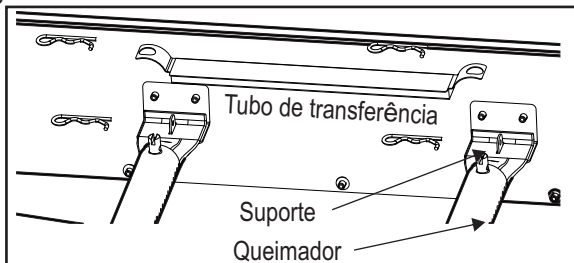
- (B) Use uma escova estreita de garrafa com uma alça flexível (não utilize uma escova de arame), passe a escova através de cada queimador várias vezes.
  - (C) Use protecção ocular: Utilize uma mangueira de ar para forçar o ar através do tubo do queimador e para fora pelas suas portas. Verifique cada porta para ter certeza de que o ar sai de cada buraco.
6. Escove toda a sua superfície externa do queimador com a escova de arame para remover resíduos de alimentos e sujeira.
  7. Limpe todas as portas bloqueadas com um fio rígido, como um clipe de papel aberto.
  8. Verifique se o queimador apresenta danos, pois o desgaste e a corrosão normal podem ampliar alguns furos. Se houver grandes rachaduras ou buracos, substitua o queimador.

**MUITO IMPORTANTE: Os tubos dos queimadores devem retomar as aberturas da válvula. Consulte a ilustração.**



### Corrija a retomada dos queimadores para a válvula

9. Prenda o electrodo no queimador
10. Substitua os queimadores com cuidado.
11. Prenda os queimadores nos suportes na fornalha.
12. Posicione os tubos de transferência e prenda aos queimadores. Substitua os controladores de chama e as grelhas de cozinhar.



## Como armazenar o aparelho

- Limpe as grelhas de cozinhar.
- Armazene em local seco.
- Quando o cilindro de gás estiver conectado ao aparelho, armazene em ambiente externo em um espaço bem ventilado, fora do alcance de crianças.
- Cubra o aparelho se for armazenado no exterior.
- Armazene o aparelho em espaços fechados **SOMENTE** se o cilindro de gás estiver desligado e desconectado, retirado do aparelho e armazenado em ambiente externo.
- Quando remover o aparelho do local de armazenamento verifique se há obstruções dos queimadores.

## Limpeza geral do aparelho

- Limpe o aparelho frequentemente, de preferência após cada churrasco. Se a escova de arame for usada para limpar qualquer das superfícies de cozinhar do aparelho, assegure que nenhuma cerda permaneça nas superfícies de cozinhar antes de grelhar. Não é recomendado limpar a superfície de cozinhar enquanto o aparelho estiver quente. O aparelho deve ser limpo pelo menos uma vez por ano.
- Não confunda acumulação castanha ou preta de gordura e fumaça com pintura. Os interiores das churrasqueiras à gás não são pintados de fábrica (**e nunca devem ser pintados**). Aplique uma solução forte de detergente e água, ou use um limpador de aparelho com a escova de limpeza no interior da tampa e do fundo do aparelho. Enxague e deixe a secar ao ar completamente. **Não aplique produtos cáusticos de limpeza do aparelho/forno em superfícies pintadas.**
- **Peças de plástico:** Lave com água morna com sabão e seque.
  - Não utilize citrisol, limpadores abrasivos, desengordurantes ou um limpador concentrado de aparelho em peças plásticas. Podem ocorrer danos e falhas nas peças.
- **Superfícies de porcelana:** Por conta da composição semelhante ao vidro, a maior parte dos resíduos pode ser varrido com solução de bicarbonato de sódio/água ou limpador especialmente formulado. Use detergente em pó não abrasivo para as manchas mais persistentes.
- **Superfícies pintadas:** Lavar com detergente suave ou limpador não abrasivo e água morna com sabão. Seque com um pano macio e não abrasivo.
- **Superfícies de aço inoxidável:** Para manter a aparência de alta qualidade do seu aparelho, lave com detergente suave e água morna com sabão e seque com um pano macio após cada utilização. Os depósitos de gordura assada podem exigir a utilização de uma esponja plástica abrasiva para limpeza. Utilize apenas no sentido do acabamento escovado para evitar danos. Não use esponja abrasiva em áreas com desenhos.
- **Superfícies de cozinhar:** Se a escova de arame for usada para limpar qualquer das superfícies de cozinhar do aparelho, assegure que nenhuma cerda permaneça nas superfícies de cozinhar antes de grelhar. Não é recomendado limpar as superfícies de cozinhar enquanto o aparelho estiver quente.

## INSTALLATØR/SAMLER

Opbevar denne manual hos forbrugeren.

## FORBRUGER:

Behold denne manual til fremtidig brug.

### Spørgsmål:

Hvis du har spørgsmål i forbindelse med samling eller anvendelse af dette apparat, så kontakt din lokale forhandler.



Hvis du kan lugte gas:

1. Luk for gas tilførslen til apparatet.
2. Sluk for evt. åben ild.
3. Åben låget.
4. Hvis lugten bliver ved, så hold dig væk fra apparatet og ring straks til gasforsyningen eller brandvæsenet.



1. Opbevar ikke benzin eller andre brændbare væsker i nærheden af dette eller andre apparater.
2. En gas cylinder som ikke er i brug må ikke opbevares i nærheden af dette eller andre apparater.



- Læs og følg alle sikkerhedsanvisninger, samle-anvisninger og brugs- og vedligeholdelsesvejledninger før forsøg på samling og madlavning.
- Nogle dele kan have skarpe hjørner. Brug af beskyttelseshandsker anbefales.

### Fedtbrande

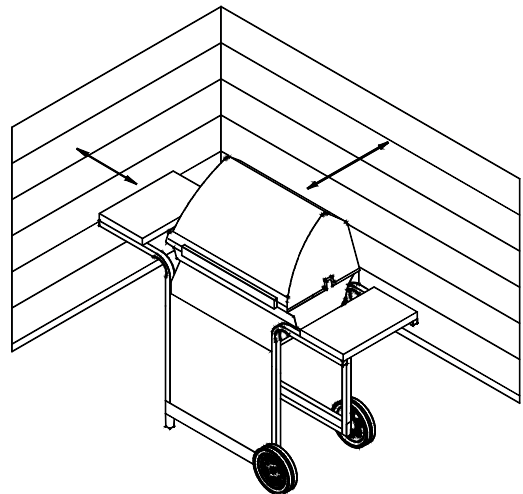
- Slukning af fedtbrande ved at lægge låget på er ikke muligt. Grillen er ventileret af sikkerhedsgrunde.
- Hæld ikke vand på en fedtbrand, det kan give personskader. Hvis der udvikles en vedvarende fedtbrand, sluk på knappen og for gas cylinderen.
- Hvis apparatet ikke er blevet rengjort regelmæssigt, kan der opstå en fedtbrand, som kan ødelægge produktet. Vær meget opmærksom ved forvarmning eller afbrænding af fastbrændte madrester, så det sikres at der ikke opstår en fedtbrand. Følg instruktionerne om almindelig rengøring af apparatet og rensning af brændersamlingen for at forebygge fedtbrande.
- Den bedste forebyggelse af fedtbrande er regelmæssig rengøring af apparatet.



For sikker brug af dit apparat og for at undgå alvorlige ulykker:

### • MÅ KUN BRUGES UDENDØRS. MÅ ALDRIG BRUGES INDENDØRS

- Læs anvisningerne før anvendelse af apparatet. Følg altid disse anvisninger.
- Flyt ikke på apparatet under brug.
- Tilgængelige dele kan være meget varme. Hold små børn væk. Lad ikke børn bruge apparatet eller lege i nærheden.
- Sluk for gas tilførslen på cylinderen efter brug.
- Dette apparat skal holdes væk fra brændbare materialer under brug.
- Bloker ikke hullerne i apparatets sider eller bag på.
- Tjek brænderflammerne regelmæssigt.
- Bloker ikke for brænderens venturi åbninger.
- Brug kun apparatet et godt ventileret sted. Brug det ALDRIG et lukket sted, som en carport, garage, veranda, overdækket terrasse, eller under en overdækning i det hele taget.
- Brug ikke trækul eller keramiske briketter i et gasapparat.
- Dæk IKKE risten med aluminiumsfolie eller andet materiale. Det vil blokere for brænderventilationen og skabe en potentielt farlig tilstand, som kan give skader på bygninger og/eller mennesker.
- Brug apparatet mindst 1 m fra vægge og andre overflader. Hold en afstand på 3 m fra genstande, som kan gå i brand eller antændingskilder som gasflammer i vandvarmere, elektriske apparater etc.



- Prøv ALDRIG at tænde brænderen med lukket låg. En ophobning af ikke antændt gas i et lukket apparat er farligt.
- Sluk altid for gassen på cylinderen og afbryd regulatoren før flytning af gas cylinderen fra den specificerede driftsposition.
- Anvend aldrig apparatet med gas cylinderen udenfor den angivne korrekte position.
- Byg ikke apparatet om. Alle ombygninger er strengt forbudt. Lukkede dele må ikke håndteres af brugeren. Lad være med at skille injektorerne ad.

## Sikkerhedstips

- Før åbning af gas cylinder ventilen, undersøg regulatorens tæthed.
- Når apparatet ikke er i brug, så sluk for alle kontrolknapper og gas.
- Brug grilludstyr med lange håndtag og ovn handsker for at undgå forbrændinger og sprøjt. Brug beskyttelseshandsker ved håndtering af varme dele.
- Maksimum belastning for varmeplade og sidehylde er 4.5 Kg. Kogekar minimum diameter 200mm og maksimum diameter 260mm.
- Fedtbakken (hvis den findes) skal sættes ind i apparatet og tømmes efter hver brug. Fjern ikke fedtbakken før apparatet er helt koldt.
- Vær meget forsigtig når du åbner låget, da der kan slippe varm damp ud.
- Vær meget forsigtig hvis der er børn, ældre eller kæledyr i nærheden.
- Hvis du ser fedt eller andet varmt materiale dryppe fra apparatet ned på ventil, slange eller regulator, sluk straks for gas tilførslen. Find ud af årsagen, ret den og rens og undersøg ventilen, slangen og regulatoren for du fortsætter. Udfør en lækagetest.
- Hold ventilationsåbningerne i cylinder afskærmningen (vognen) åbne og fri for nedfaldne madrester.
- Opbevar ikke materialer inde i vognens afskærmning, som kan blokere for forbrændingsluftens strømning til undersiden af enten the kontrolpanelet eller flammeboks skålen.
- Afbryd IKKE eller skift gasbeholder indenfor 3 m afstand til åben ild eller en anden antændelseskilde.

### Placering af gasflaske

Gasflasken kan ikke placeres under eller i enheden. Flasker skal placeres på siden og bag enheden. Flasker skal være af en maksimal diameter på 310 mm og maksimal højde på 600 mm.

### Krav til regulator

Der skal bruges en regulator til dette apparat. Brug kun den gas regulator som leveres sammen med grillen. Hvis der ikke leveres en regulator, så brug kun en certificeret regulator efter EN12864 eller EN16129 (strømnings rate max. 1,5kg/t) godkendt i dit land og gas specificeret i de tekniske data.

### Krav til slange

Brug kun en godkendt slange, som er certificeret efter EN standard og den må ikke være længere end 1,5m. I Finland må længden ikke være over 1,2m

Undersøg før hver brug om slangerne er slidte eller hullede. Slangerne må ikke være snoede. Vær sikker på at forbundne slanger ikke rører varme overflader. Udskift ødelagte slanger for brug af apparatet. Udskift slangerne som krævet i national lovgivning.

## Antændelse af tænderen

### • Læn dig ikke hen over apparatet ved antændelse.

1. Sæt gasbrænder kontrolventiler til ○.
2. Tryk ON gas på cylinder.
3. **Hav åbent låg under antænding.**
4. For at antænde, tænd for antændings brænderknappen ➤.
5. Tryk og hold nede på **ELECTRONIC IGNITION** knappen.
6. Hvis antændingen ikke sker i løbet af 5 sekunder, drej på brænderkontrollerne ○, vent 5 minutter og gentag proceduren.
7. Tænd de tilstødende brændere efterhånden ved at trykke på knapper og dreje dem til ☷. Hvis tænderen ikke virker, følg instruktionerne for tænding med tændstik.



### Tænding med tændstik

#### • Læn dig ikke hen over apparatet ved antændelse.

1. **Åben låget.** Tænd for gas på cylinder.
2. Sæt tændstikken i tændstikholderen, tænd den og anbring den ved siden af brænder portene. (holderen kan være på venstre side).
3. Tryk ind og slå brænderknappen til, så brænderen tændes ☷. Vær sikker på at brænderen er tændt og forbliver tændt.
4. Tænd de tilstødende brændere efterhånden ved at trykke på knapper og dreje dem til ☷.

### Varmeplade antænding

#### • Læn dig ikke hen over apparatet ved antændelse.

1. **Åben varmeplade låget.** Tænd for gas på cylinder.
2. Tænd på varmeplade knappen ☷, tryk og hold ELECTRONIC IGNITOR knappen nede.
3. Hvis varmepladen IKKE ○ tænder, tænd på knappen, vent 5 minutter, og gentag antændingsproceduren.

### Tænding af varmeplade med tændstik.

1. **Åben varmeplade låget.** Tænd for gas på cylinder.
2. Anbring den tændte tændstik nær brænderen.
3. Tænd for varmeplade knappen ☷ for at være sikker på brænderen er tændt hele tiden.

## Gaslækningsventil, slange og regulator

Tæthedsprøvning af ventiler, slanger og regulator skal ske før første ibrugtagning, mindst en gang om året, og hver gang gasflasken er enten skiftet eller afbrudt.

1. Tænd for alle apparatets kontrolknapper ○.
2. Vær sikker på at regulatoren er tæt forbundet med gas cylinderen.
3. Tænd for gassen. Hvis du hører en susende lyd, sluk straks for gassen. Der er en stor lækage i forbindelsen. **Skaden skal udbedres før du fortsætter.**
4. Børst en sæbeopløsning (en blanding af halvt sæbe og halvt vand) på slangeforbindelserne og de områder i cirkler nedenfor.
5. Hvis der opstår bobler er der et hul. Sluk straks for gassen på cylinderen og tjek forbindelsernes tæthed. Hvis lækagen ikke kan stoppes, prøv ikke at reparere. Ring efter reservedele.
6. Sluk altid for gassen på cylinderen efter en udført lækage test.

## HVIS APPARATET IKKE KAN TÆNDES

Undersøg om gassen er sat til på cylinderen.  
Undersøg om der er gas i cylinderen

Kommer der lyd af gnister fra tænderen?

Hvis ja, se om der er gnister ved brænderen.

Hvis der ikke er gnister, undersøg om der er ødelagte eller løse ledninger.

Hvis ledningerne er OK, undersøg om der er revnede eller ødelagte elektroder, udskift hvis der er behov for det.

Hvis ledning eller elektroder er fyldt med madrester, rens elektrodespidserne med en klud dyppet i sprit.

Hvis det er nødvendigt, udskift ledninger.

Hvis der ikke er nogen lyd, tjek batteriet.

Vær sikker på, at batteriet er installeret korrekt.

Undersøg om der er løse ledningsforbindelser på modul og kontakt.

Hvis tænderen stadig ikke virker, så brug en tændstik.



# ADVARSEL



**PAS PÅ EDDERKOPPER!**  
**EDDERKOPPER OG SPIND**  
**INDE I BRÆNDEREN**



Hvis din grill er blevet svær at tænde eller hvis flammen er svag, tjek og rens venurieme og brænderne.

Edderkopper eller små insekter kan skabe "flashback" problemer ved redebygning og æglægning i grillens venturi eller brænder, og hæmmer dermed gas strømmen. Den tilbageholdte gas kan antændes bag kontrolpanelet. Denne flashback kan skade din grill og medføre ulykker. For at forebygge flashbacks og sikre god funktion, bør brænder og venturi slange samlingen tages af og renses, når grillen ikke er blevet brugt i længere tid.

## TEKNISKE DATA

Char-Broil, LLC				
Apparatets navn	Gas Barbeque/Gas Grill			
Total nominal	14 kW (1 018g/h)			
Gas kategori	I3+(28-30/37)	I3B/P(30)	I3B/P(50)	
Model nr.	468201115		468101115	
Gas type	Butan	Propan	Butan, Propan eller en blanding	Butan, Propan eller en blanding
Gastryk	28-30 mbar	37 mbar	28-30 mbar	50 mbar
Injektør størrelse (dia. mm)	Grill: 0,91 x 4 stk.		Grill: 0,91 x 4 stk.	Grill: 0,81 x 4 stk.
	Varmeplade: 0,75		Varmeplade: 0,75	Varmeplade: 0,64
Bestemmelsessteder - lande	GB, FR, IE, BE, ES, IT, PT, CZ		DK, NO, NL, SE, FI, RO, IS, CZ, IT	AT, DE, SK, CH, LU



## Rensning af brændersamlingen

Følg disse anvisninger om rensning og/eller udskiftning af dele i brændersamlingen, hvis du har problemer med at tænde apparatet.

1. Sluk for gassen på kontrolknapper og cylinder.
2. Fjern madlavningsriste, flammestæmmere, fremførselsslanger og brændere.
3. Tag elektroden af brænderen.
4. Løft forsigtigt hver brænder op og væk fra ventilåbningerne.
5. Vi har tre forslag til rensning af brænder rør. Brug den du synes er nemmest.

(A) Lav en lille krog af et stift stykke ståltråd (en rensribøjle er god). Kør krogen gennem hvert brænder rør flere gange.



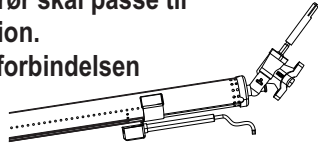
(B) Brug en tynd flaskerenser med blødt håndtag (brug ikke en messing trådbørste) kør børsten gennem hvert brænder rør flere gange.

(C) Brug øjenbeskyttelse: Brug en slange med luft til at presse luft ind i brænder rør og ud af brænder porte. Tjek hver port for at sikre, at der kommer luft ud af alle huller.

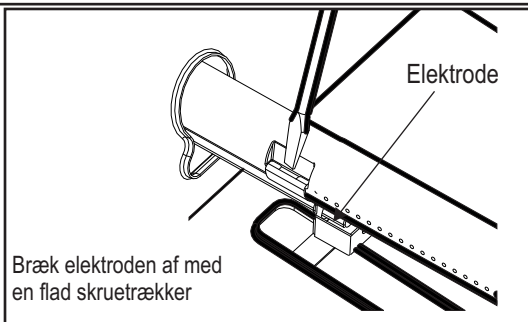
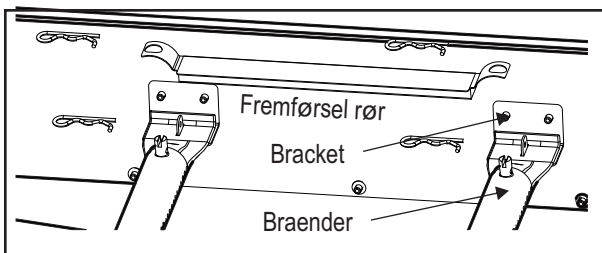
6. Brug en stålbørste på hele brænderens overflade for at fjerne madrester og snavs.
7. Rens evt. blokerede porte med et stykke ståltråd, som fx en oprullet papirklips.
8. Tjek brænderen for skader, almindeligt slid og korrosion kan forstørre nogle huller. Hvis der er store revner og huller, så skal brænderen udskiftes.

**MEGET VIGTIGT: Brænder rør skal passe til ventilåbninger. Se illustration.**

**Korriger brænder-til-ventil forbindelsen**



9. Forbind elektroden til brænderen
10. Sæt forsigtigt brænderne på plads.
11. Forbind brænderne til beslagene på flammeboksen.
12. Sæt fremførsels rør på igen og forbind dem til brænderne. Sæt flamme tæmmere og riste på.



Bræk elektroden af med en flad skruetrækker

## Opbevaring af dit apparat

- Rens ristene.
- Opbevares et tørt sted.
- Når gas cylinderen er forbundet med apparatet skal det opbevares udendørs et godt ventileret sted udenfor børns rækkevidde.
- Dæk apparatet til hvis det opbevares udendørs.
- Apparatet må KUN opbevares indendørs, hvis gas cylinderen er slukket og koblet fra, fjernet fra apparatet og opbevares udendørs.
- Når apparatet tages frem fra opbevaring, tjek for brænder tilstopninger.

## Generelt om rengøring af apparatet

- Rens apparatet ofte, helst efter hver gang det har været brugt. Hvis der bruges børste til rengøring af apparatets madlavningsoverflader, så vær sikker på, at der ikke er børste hår på madlavningsoverflader, når der grilles. Det anbefales ikke at rengøre madlavningsoverflader når apparatet er varmt. Hele apparatet bør rengøres mindst en gang om året.
- Man skal ikke forveksle brune eller sorte fedtansamlinger og røg med maling. Indersiden af en gas grill er ikke malet fra fabrikken (**og må aldrig males**). Brug en kraftig blanding af et rengøringsmiddel og vand, eller et rengøringsredskab med børste på indersiden af apparatets låg og bund. Skyl og lad lufttørre fuldstændigt. **Brug ikke kaustisk soda eller ovenrens på malede overflader.**
- **Plasticdele:** Vask med varmt sæbevand og tør med klud.
  - Brug ikke fedtopløsende, slibende midler, affedningsmidler eller koncentrerede rengøringsmidler på plasticdele. Det kan resultere i skader og fejl på dele.
- **Porcelænsoverflader:** På grund af de glaslignende egenskaber, kan det meste snavs tørres væk med en soda/vand opløsning eller et specialrengøringsmiddel. Brug ikke-slibende skurepulver til genstridige pletter.
- **Malede overflader:** Vask med et mildt og ikke-slibende rengøringsmiddel og varmt sæbevand. Tør med en blød ikke-ridsende klud.
- **Overflader af rustfrit stål:** For at opretholde dit apparats signaler om høj kvalitet, vask det med et mildt rengøringsmiddel og varmt sæbevand og tør det med en blød klud efter hver brug. Fastbrændte fedtlag kan nødvendiggøre brug af en slibende plastic rensesvamp. Brug den kun i en retning for at undgå skader. Brug ikke slibepuder på områder med grafik.
- **Madlavningsoverflader:** Hvis der bruges børste til rengøring af apparatets madlavningsoverflader, så vær sikker på, at der ikke er børste hår på madlavningsoverflader, når der grilles. Det anbefales ikke at rengøre madlavningsoverflader når apparatet er varmt.

## INSTALLATØR/MONTØR:

Brukerveiledningen skal overlates til brukeren.

## FORBRUKER:

Ta vare på manualen for evt. fremtidig bruk.

### Spørsmål:

Hvis du har spørsmål under montering eller bruk av dette apparatet, bør du ta kontakt med din lokale forhandler.

!FARE:!

Hvis du lukter gass:

1. Skru av apparatets gasstilførsel.
2. Slukk alle åpne flammer.
3. Åpne lokket.
4. Hvis lukten forblir, må du øyeblikkelig komme deg unna apparatet og ringe gassleverandøren eller brannvesenet øyeblikkelig.

!ADVARSEL:!

1. Ikke lagre eller bruk bensin eller annen brannfarlig væske i nærheten av dette eller andre apparater.
2. Gassylindere som ikke er tilkoblet for bruk skal ikke lagres i nærheten av dette eller andre apparater.

!FORSIKTIG!

- Les og følg alle sikkerhetsmeldinger, monteringsinstruksjoner og veiledning for bruk og vedlikehold før du setter det sammen og varmer det opp.
- Enkelte deler kan inneholde skarpe kanter. Bruk av vernehansker anbefales.

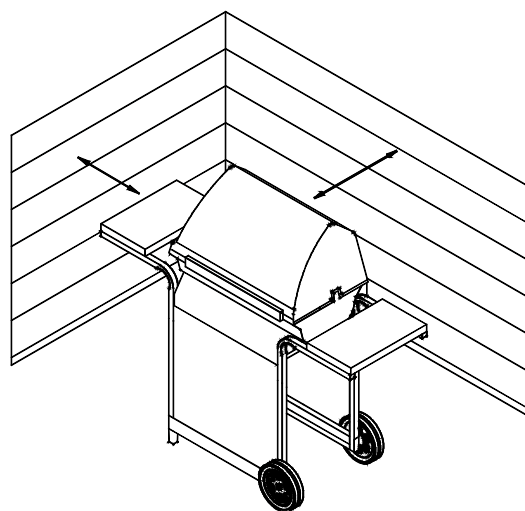
**Brennende fett**

- Det er ikke mulig å slukke brennende fett ved å lukke lokket. Grillen er godt ventilert av sikkerhetshensyn.
- Ikke bruk vann til å slukke brennende fett, da dette kan føre til personskade. Hvis en vedvarende fettbrann utvikles, må du skru av knottene og gassylindere.
- Hvis apparatet ikke har blitt rengjort jevnlig kan brennende fett forekomme og ødelegge produktet. Være forsiktig når du forvarmer eller brenner matrester, for å sørge for at brennende fett ikke forekommer. Følg instruksene for generell rengjøring av apparatet og rengjøring av brennermonteringen for å unngå brennende fett.
- Den beste måten å unngå brennende fett på, er å rengjøre apparatet jevnlig.

!ADVARSEL:!

### For sikker bruk av apparatet og for å unngå alvorlig skade:

- **SKAL KUN BRUKES UTENDØRS. SKAL ALDRI BRUKES INNENDØRS.**
- Les instruksene før du bruker apparatet. Følg alltid disse instruksene.
- Ikke flytt apparatet under bruk.
- Tilgjengelige deler kan være svært varme. Hold unge barn unna. Ikke la barn bruke eller leke i nærheten av apparatet..
- Slå av sylinderens gasstilførsel etter bruk.
- Dette apparatet må holdes unna brannfarlig materiale ved bruk.
- Ikke blokker hull på apparatets sider eller bakside.
- Kontroller brennerflammene jevnlig.
- Ikke blokker brennerens åpninger.
- Apparatet skal kun brukes i godt ventilerte områder. Apparatet skal ALDRI brukes på innestengte områder, f.eks. garasjer, forstuer, tildekte bakgårder eller under noen som helst tildekket konstruksjon.
- Ikke bruk trekull eller kjeramikkbriketter med gassapparater.
- IKKE dekk til fyrristene med aluminiumsfolie eller andre materialer. Da blokkeres brennerens ventilasjon, og dette kan føre til farlige forhold som resulterer i skade på eiendom eller personer.
- **Bruk apparatet minst 1 meter fra vegger og andre flater.** Sørg for at det er 3 m klaring til objekter som kan ta fyr og tenningskilder som f.eks pilotflammer for vannvarmere, glødende elektriske apparater, o.l.



- Prøv ALDRI å tenne på brenneren mens lokket er på. Oppbygging av ikke påtent gass i et lukket apparat er farlig.
- Slå alltid av gassen på sylindere, og koble fra regulatoren før du flytter gassylindere fra angitt bruksposisjon.
- Benytt aldri et apparat med gassylindere unna angitt bruksposisjon.
- Modifiser aldri apparatet. Enhver form for modifisering er strengt forbudt. Forseglete deler skal ikke endres av brukeren. Ikke ta innsprutingspumper fra hverandre.

## Sikkerhetstips

- Før du åpner gassylinderens ventil, må du sjekke at regulatoren er stramt lukket.
- Når apparatet ikke er i bruk, må du slå av alle kontrollknøtter og gassen.
- Bruk grillutstyr med langt håndtak og ovnsvanter for å unngå brannskår og skvetting. Bruk vernehansker når du håndterer varme komponenter.
- Maksimal last for varmeplaten og sidehyllen er 4,5 kg. Kokeinnretninger skal ha en diameter på mellom 200 mm og 260 mm.
- Fettoppsamleren (hvis slik finnes) skal settes inn i apparatet og alltid tømmes etter bruk. Ikke fjern fettoppsamleren før apparatet er kjølt helt ned.
- Vær svært forsiktig når du åpner lokket, da varm damp kan forekomme.
- Vær svært forsiktig når barn, eldre og kjæledyr er i nærheten.
- Hvis du legger merke til at fett eller annet varmt materiale drypper fra apparatet til ventilen, må du øyeblikkelig spyle regulatoren og skru av gasstilførselen. Finn årsaken, og rett den opp. Deretter må du rengjøre og inspisere ventilen, slangen og regulatoren før du fortsetter. Gjennomfør en lekkasjetest.
- Hold sylindergруппens ventilasjonsåpning (apparatets vogn) åpent og fritt for rester.
- Ikke lagre gjenstander eller materialer i apparatets vogn dersom disse kan blokkere forbrenningen av luft til undersiden av enten kontrollpanelet eller brannboksollen.
- IKKE koble fra eller skift ut gassbeholderen nærmere enn 3 m fra en åpen flamme eller annen antenningsskilde.

## Staðsetning hylkis

Hylki má ekki setja undir eða í tækið Hylki skal setja við hliðina eða fyrir aftan tækið. Hylki skulu að hámarki vera 310 mm að þvermáli og að hámarki 600 mm að hæð.

## Krav til regulator

Apparatet må benyttes med regulator. Bruk kun gassregulatorene som fulgte med grillen. Hvis apparatet ikke ble levert med en regulator, må du kun benytte regulatorer som er sertifisert i henhold til EN12864 eller EN 16129 (flytrate maks 1,5 kg/t), og som er godkjent i landet der du bor og for gass angitt i teknisk informasjon.

## Krav til slange

Benytt kun godkjente slanger som er sertifisert med riktig EN-standard, og som ikke er lengre enn 1,5 m. I Finland skal slangen ikke være lengre enn 1,2 m.

Før hver bruk må du kontrollere at slangen ikke har kutt eller slitasje. Sørg for at slangen ikke er knekt. Sørg for at når slangen er tilkoblet, berører den ingen varme overflater. Skift ut ødelagte slanger før du bruker apparatet. Skift ut slanger i henhold til nasjonale krav.

## Antenning

### • Ikke len deg over apparatet når det antennes.

1. Skru gassbrennerens kontrollventiler til ○ .
2. Skru gassen PÅ ved sylindere.
3. **Åpne lokket før antenning.**
4. Antenn ved å skru antenningbrennerens knott til ➤ .
5. Trykk på og hold inne knappen ELECTRONIC IGNITION.
6. Hvis apparatet ikke antennes innen 5 sekunder, må du skru brennerkontrollene på ○ , vente 5 minutter og gjenta antenningprosedyren.
7. Tenn på de andre brennerne i rekkefølge, ved å trykke på knottene og skru til 🔽 . Hvis antenningmekanismen ikke fungerer, kan du følge instruksene for antenning med fyrstikk.



## Antenning med fyrstikk

### • Ikke len deg over apparatet når det antennes.

1. **Åpne lokket.** Skru gassen på ved sylindere.
2. Plasser fyrstikken i fyrstikkholderen, antenn den og plasser den ved siden av brennerportene. (Holderen kan være på venstre eller høyre side.)
3. Trykk på og hold inne brennerknotten slik at brenneren antennes 🔽 . Kontroller at brenneren antennes og forblir antent.
4. Tenn på de andre brennerne i rekkefølge, ved å trykke på knottene og skru til 🔽 .

## Antenning av varmeplate med antenningmekanisme.

### • Ikke len deg over apparatet når det antennes.

1. **Åpne varmeplatens lokk.** Skru gassen på ved sylindere.
2. Skru varmeplatens knott til 🔽 , trykk på og hold inne knappen ELECTRONIC IGNITOR.
3. Hvis varmeplaten IKKE antennes, må du skru på knotten ○ og vente i 5 minutter, og deretter gjenta antenningprosessen.

## Antenning av varmeplaten med fyrstikk

1. **Åpne varmeplatens lokk.** Skru gassen på ved sylindere.
2. Plasser en tent fyrstikk nær brenneren.
3. Skru varmeplatens knott til 🔽 Sørg for at brenneren antennes og forblir antent.

## Lekaprófun loka, slöngu og þrýstijafnara

Framkvæmið lekaprófun fyrir fyrstu notkun, að minnsta kosti árlega, og í hvert sinn sem skipt er um hylki eða það er aftengt.

1. Skru alle apparatets kontrollknøtter til  $\bigcirc$ .
2. Kontroller at regulatoren er solid forbundet med gassylinderen.
3. Skru på gassen. Hvis du hører blåselyd, må du umiddelbart skru av gassen. Da har det oppstått en større lekkasje ved tilkoblingen. **Korriger dette før du fortsetter.**
4. Børst en såpeblanding (blanding av en del såpe og en del vann) på slangens koblinger og de avmerkede områdene nedenfor.
5. Hvis voksende bobler oppstår, har det oppstått en lekkasje. Slå av gassylinderen umiddelbart, og kontroller av tilkoplingene er tette. Hvis lekkasjen ikke kan stanses, må du ikke prøve å reparere den. Be om reservedeler.
6. Skru alltid av gassylinderen etter du har utført lekkasjetest.

## HVIS APPARATET IKKE VIL ANTENNES

Kontroller at gassen er tilkoblet på sylindern  
Sørg for at sylindern inneholder gass.

Lager ignitoren gnistlyd?

Hvis ja, se etter gnister på brenneren.

Hvis du ikke hører gnistlyd, se etter ødelagte og løse wire.

Hvis wirene er OK, må du se etter sprukne eller ødelagte elektroder, som må byttes ut om nødvendig.

Hvis wire eller elektroder er dekket av matrester, må du rengjøre elektrodens tupp med alkohol om nødvendig.

Skift ut wirene om nødvendig.

Hvis du ikke hører noen lyd, må du sjekke batteriet.

Kontroller at batteriet er riktig installert.

Se etter løse wireforbindelser på modulen og bryteren.

Hvis antenningsmekanismen fortsatt ikke virker, kan du bruke fyrstikk.



# FORSIKTIG



## EDDERKOPPFARE!

### EDDERKOPPER OG SPINDELVEV INNE I BRENNEREN



Hvis grillen er vanskelig å antenne eller hvis flammen er svak, må du kontrollere venturirøret og brennerne.

Edderkopper og andre små insekter kan forårsake "flashback"-problemer ved at de bygger reir og legger egg i grillens venturirør og brenneren, og på den måten hindrer gassflyt. Tilbakeleggende gass kan antennes bak kontrollpanelet. Flashbacken kan føre til skade på grillen og personskaade. Forebygg flashback og sørg for god ytelse ved å fjerne og rengjøre brenneren og venturirøret hver gang grillen har vært ute av bruk over lengre tid.

## TEKNISK INFORMASJON

Char-Broil, LLC				
Apparatets navn	Gas Barbeque/Gas Grill			
Total nominell	14 kW (1 018/h)			
Gasskategori	I3+(28-30/37)	I3B/P(30)	I3B/P(50)	
Modellnr.	468201115		468101115	
Gasstype	Butan	Propan	Butan, propan, eller blanding av disse	Butan, propan, eller blanding av disse
Gasstrykk	28-30 mbar	37 mbar	28-30 mbar	50 mbar
Injektorstørrelse (dia. mm.)	Grill: 0,91 x 4 stk.		Grill: 0,91 x 4 stk.	Grill: 0,81 x 4 stk.
	Varmeplate: 0,75		Varmeplate: 0,75	Varmeplate: 0,64
Land	GB, FR, IE, BE, ES, IT, PT, CZ		DK, NO, NL, SE, FI, RO, IS, CZ, IT	AT, DE, SK, CH, LU



## Rengjøring av brennermonteringen

Følg disse instruksene for å rengjøre og/eller skifte ut deler av brennermonteringen, eller hvis det er vanskelig å antenne apparatet.

1. Skru av gassen ved kontrollknottene eller sylindren.
2. Fjern kokeplater, flammestemmer, slanger og brennere.
3. Fjern elektroden fra brenneren.
4. Antenn forsiktig hver brenner, unna ventilåpninger.
5. Vi anbefaler 3 måter å rengjøre brennerslangene på. Bruk den som er enklest for deg.

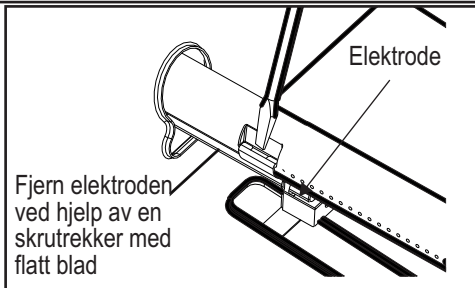
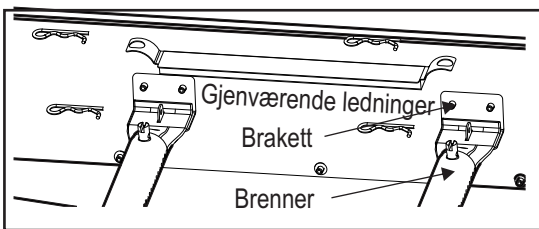
(A) Bøy en stiv wire (en tynn kleshenger fungerer her) til en liten krok. Kjør kroken inn i hvert brennerrør gjentatte ganger.



(B) Bruk en tynn piperenser med fleksibelt håndtak (bruk aldri wirekost av messing), og kjør børsten gjennom hver brenner gjentatte ganger.

(C) Bruk øyebeskyttelse. Bruk en luftpumpe til å tvinge luft gjennom brennerrøret og brennerportene. Kontroller hver port slik at du er sikker på at det kommer luft ut av alle hull.

6. Rengjør hele brenneren overflate med wirebørste for å fjerne matrester og smuss.
7. Rengjør eventuelle blokkerte porter med en stiv wire som f.eks. en åpnet binders.
8. Kontroller at brenneren ikke er skadet. Normal slitasje og korrosjon kan føre til at noen av hullene blir større. Hvis du finner store sprekker eller hull, må du skifte ut brenneren  
**SVÆRT VIKTIG: Brennerrørene må koble ventilåpningene inn igjen. Se illustrasjon. Riktig tilkobling mellom brenner og ventil.**
9. Fest elektrode til brenner
10. Skift forsiktig ut brennerne.
11. Fest brennerne på brakettene i brannboksen.
12. Plasser gjenværende ledninger og fest dem til brennerne. Skift ut flammestemmer og kokeplater.



## Slik oppbevarer du apparatet

- Rengjør kokeplater.
- Lagres tørt.
- Når gassylindren er festet til apparatet, skal den oppbevares utendørs på et godt ventilert område, utilgjengelig for barn..
- Dekk til apparatet når det oppbevares utendørs.
- Apparatet kan KUN oppbevares utendørs hvis gassylindrene er skrudd av og frakoblet, fjernet fra apparatet og lagret utendørs.
- Når du tar apparatet ut av lagring, må du kontrollere at ingenting blokkerer brennerne.

## Generell rengjøring av apparatet

- Rengjør apparatet ofte, helt etter hver gangs bruk. Hvis du bruker grisebustbørste til å rengjøre apparatets kokeflater, må du sørge for at ingen løse børstedeler blir liggende igjen på kokeflatene før du griller. Det anbefales ikke å rengjøre kokeflatene mens apparatet er varmt. Apparatet må rengjøres minst en gang årlig.
- Ikke ta feil av brune og svarte fettoppsamlinger og maling. Gassgrillens innside ble ikke malt på fabrikken (**og bør aldri males**). Bruk en sterk blanding av rengjøringsmiddel og vann, eller bruk en innretning for rengjøring av apparater med skurebørste på innsiden av apparatets lokk og bunn. Rengjør, og vent til apparatet er helt lufttørket. **Ikke bruk kaustisk apparat-/ovnsrengjøringsmiddel på malte flater.**
- **Deler i plast:** Vaskes med varmt såpevann og tørkes.
  - Ikke bruk citrisol, skuremidler, avfetningsmidler eller konsentrert rengjøringsmiddel på plastdeler. Dette kan føre til skade på eller svikt i delene.
- **Porselenflater:** Fordi disse er oppbygd omtrent som glass, kan rester som regel tørkes bort med en løsning av bakepulver og vann, eller spesialformulert rengjøringsmiddel. Bruk ikke-skurende pulver for vanskelige flekker.
- **Malte flater:** Vaskes med mildt rengjøringsmiddel eller ikke-skurende rengjøringsmiddel og varmt såpevann. Tørkes med myk, ikke-skurende klut.
- **Flater i rustfritt stål:** Vedlikehold apparatets utseende ved å bruke skånsomt vaskemiddel og varmt såpevann, og tørk deretter med en myk klut etter hver gangs bruk. Fastbrente oppsamlinger av fett kan kreve at du bruke skurende rengjøringsklut av plast. Bruk kun i samme retning som børste finish, for å unngå skade. Ikke bruk skurende klut på grafikk.
- **Kokeflater:** Hvis du bruker grisebustbørste til å rengjøre apparatets kokeflater, må du sørge for at ingen løse børstedeler blir liggende igjen på kokeflatene før du griller. Det anbefales ikke å rengjøre kokeflatene mens apparatet er varmt.

## OSOBA VYKONÁVAJÚCA INŠTALÁCIU/MONTÁŽ:

Tento návod nechajte zákazníkovi.

## SPOTREBITEL':

Tento návod si odložte, aby ste ho mohli používať v budúcnosti.

## Otázky:

Ak v priebehu montáže alebo používania tohto spotrebiča budete mať otázky, obráťte sa na miestneho predajcu.

! **NEBEZPEČENSTVO** !

**Ak zacetíte unikajúci plyn:**

1. Uzavrite plynovú prípojku vedúcu do spotrebiča.
2. Zahaste zapálené plamene.
3. Otvorte veko.
4. Ak naďalej cítite unikajúci plyn, nepribližujte sa k spotrebiču a okamžite kontaktujte vášho dodávateľa plynu alebo zbor požiarnej ochrany.

! **VÝSTRAHA** !

1. V blízkosti tohto ani iného spotrebiča neskladujte a nepoužívajte benzín ani iné horľavé kvapaliny.
2. Plynovú bombu, ktorá nie je pripojená za účelom používania, neskladujte v blízkosti tohto ani iného spotrebiča.

! **VÝSTRAHA** !

- Pred montážou a samotným varením si prečítajte všetky bezpečnostné pokyny, návod na montáž, používanie a starostlivosť a rešpektujte ich.
- Niektoré diely môžu mať ostré hrany. Odporúča sa nosiť ochranné rukavice.

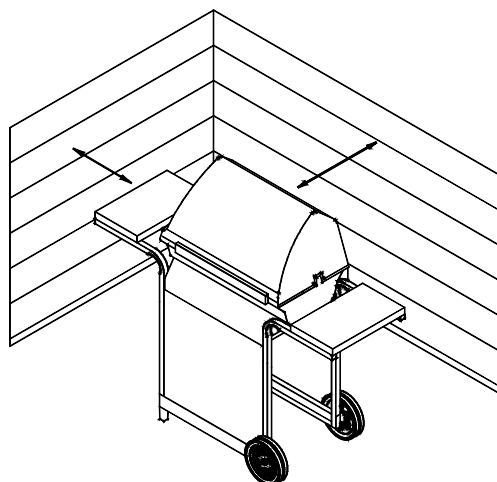
**Zapálenie tuku**

- Horiaci tuk nemožno uhasiť zatvorením veka. Grily sú z bezpečnostných dôvodov dobre vetrané.
- Horiaci tuk nehaste vodou, inak môže dôjsť k zraneniu osôb. Ak oheň pretrváva, vypnite gombíky a zatvorte plynovú fľašu.
- Ak spotrebič nie je pravidelne čistený, môže dôjsť k zapáleniu tuku a spotrebič poškodiť. Pri predohrievaní alebo spaľovaní zvyškov jedál dávajte pozor, aby nedošlo k zapáleniu tuku. Pokyny, ako zabrániť zapáleniu tuku, sú uvedené v častiach Všeobecné čistenie spotrebiča a Čistenie zostavy horákov.
- Najvhodnejší spôsob, ako zabrániť horeniu tuku, je pravidelné čistenie spotrebiča.

! **VÝSTRAHA** !

### Ako bezpečne používať spotrebiča a vyhnúť sa ťažkým zraneniam:

- **POUŽÍVAJTE LEN V EXTERIÉRI. NIKDY NEPOUŽÍVAJTE V INTERIÉRI.**
- **Pred používaním spotrebiča si prečítajte pokyny. Tieto pokyny vždy rešpektujte.**
- Nepresúvajte spotrebič počas jeho používania.
- Prístupné časti môžu byť veľmi horúce. Dávajte pozor, aby sa do ich blízkosti nedostali malé deti. Nedovoľte, aby spotrebič obsluhovali deti ani aby sa hrali v jeho blízkosti.
- Keď ukončíte používanie spotrebiča, vypnite prívod plynu a zatvorte plynovú fľašu.
- Tento spotrebič musí byť počas používania ďaleko od horľavých materiálov.
- Nezakrývajte otvory na bokoch a zadnej strane spotrebiča.
- Pravidelne kontrolujte plamene horáka.
- Neupchávajte otvory na difúzeri horáka.
- Spotrebič používajte len na dobre vetranom mieste. NIKDY ho nepoužívajte v uzavretých priestoroch, ako je prístrešok pre auto, garáž či kryté átrium, ani pod žiadnou nadzemnou konštrukciou.
- V plynovom spotrebiči nepoužívajte uhlie ani keramické brikety.
- Rošty NEZAKRÝVAJTE alobalom ani iným materiálom. Blokovalo by sa tak vetranie horáka a vznikla by potenciálne nebezpečná situácia s následkom poškodenia majetku a zranenia osôb.
- **Spotrebič používajte vo vzdialenosti minimálne 1 m od steny alebo iného povrchu.** Zachovávajte 3-metrovú vzdialenosť od predmetov, ktoré sa môžu zapáliť, a od zdrojov vznietenia, ako sú kontrolky na ohrievačoch vody, zapnuté elektrické spotrebiče atď.



- NIKDY sa nesnažte zapáliť horák, keď je zatvorené veko. Akumulácia nezapaľeného plynu vnútri zatvoreného spotrebiča je nebezpečná.
- Keď chcete presunúť plynovú fľašu zo stanoveného miesta používania, vždy ju predtým vypnite a odpojte regulátor.
- Spotrebič nikdy nepoužívajte, ak plynová fľaša nie je v správnej stanovenej polohe.
- Spotrebič nemodifikujte. Všetky modifikácie sú striktné zakázané. Používateľ nesmie manipulovať s napevno uzavretými dielmi. Nerozoberajte trysky.

## Bezpečnostné tipy

- Pred otvorením ventilu na plynovej fľaši skontrolujte tesnosť regulátora.
- Keď sa spotrebič nepoužíva, vypnite všetky ovládacie gombíky aj plyn.
- Aby nedošlo k popáleninám a postriekaniu, používajte grilovacie náradie s dlhými rúčkami a kuchynské rukavice. Pri manipulácii s horúcimi dielmi používajte ochranné rukavice.
- Maximálne zaťaženie varnej platne a bočnej police je 4,5 kg. Varná nádoba musí mať minimálny priemer 200 mm a maximálny priemer 260 mm.
- Nádoba na tuk (ak je ňou spotrebič vybavený) musí byť vložená do spotrebiča a po každom použití sa musí vyprázdniť. Nádobu na tuk vyberte, až keď spotrebič úplne vychladne.
- Pri otváraní veka buďte veľmi opatrní, pretože spod neho môže uniknúť para.
- Ak sú v blízkosti deti, starí ľudia alebo zvieratá, dávajte pozor.
- Ak si všimnete, že zo spotrebiča kvapká na ventil, hadicu alebo regulátor tuk alebo iný horúci materiál, okamžite vypnite prívod plynu. Zistite príčinu, napravte stav, vyčistite a skontrolujte ventil, hadicu a regulátor a až potom pokračujte. Uskutočnite test tesnosti.
- Vetracie otvory v kryte fľaše (vozík spotrebiča) zachovávajú voľné a bez nečistôt.
- Vnútri vozíka spotrebiča neskladujte žiadne predmety ani materiály, ktoré by upchali tok spaľovaného vzduchu na spodnú stranu ovládacieho panela alebo nádoby kúreniska.
- NEODPÁJAJTE ani NEVYMIENAJTE plynovú nádobu v menej ako 3-metrovej vzdialenosti od otvoreného ohňa alebo zdroja vznietenia.

## Umiestnenie fľaše

Fľaša sa nesmie umiestniť pod spotrebič ani doň. Fľaše sa musia umiestniť na bočnú alebo zadnú stranu spotrebiča. Fľaše smú mať maximálny priemer 310 mm a maximálnu výšku 600 mm.

## Požiadavky na regulátor

Tento spotrebič sa smie používať len s regulátorom. Používajte len plynový regulátor dodaný s grilom. Ak regulátor nie je dodaný, používajte len regulátor certifikovaný podľa normy EN12864 alebo EN16129 (prietok max. 1,5 kg/h) a schválený pre vašu krajinu a plyn špecifikovaný v časti Technické údaje.

## Požiadavky na hadicu

Používajte len schválenú hadicu, ktorá je certifikovaná podľa príslušnej normy EN a má maximálnu dĺžku 1,5 m. Pre Fínsko dĺžka hadice nesmie presiahnuť 1,2 m.

Pred každým použitím skontrolujte, či hadice nie sú prerezané alebo opotrebované. Zaisťte, aby hadice neboli zamotané. Zaisťte, aby sa pripojená hadica nedotýkala horúcich povrchov. Poškodené hadice vymeňte pred používaním spotrebiča. Hadice vymieňajte tak, ako to vyžadujú prepisy vo vašej krajine.

## Zapálenie zapaľovačom

- **Počas zapalovania sa nenahýňajte nad spotrebič.**

1. Ovládacie ventily plynových horákov otočte do polohy ○ .
2. **ZAPNITE** plyn na fľaši.
3. **Počas zapalovania otvorte veko.**
4. Zapáľte otočením gombíka zapaľovacieho horáka do polohy ➤ .
5. Stlačte a podržte gombík **ELECTRONIC IGNITION** (Elektronické zapálenie).
6. Ak do 5 sekúnd **NEDÔJDE** k zapáleniu, otočte gombíky horákov do polohy ○ , počkajte 5 minút a zopakujte postup zapálenia.
7. Postupne zapáľte ďalšie horáky tak, že stlačíte príslušné gombíky a otočíte ich do polohy ♣ . Ak zapaľovač nefunguje, postupujte podľa pokynov na zapálenie zápalkami.



## Zapálenie zápalkami

- **Počas zapalovania sa nenahýňajte nad spotrebič.**

1. **Otvorte veko.** Zapnite plyn na fľaši.
2. Do držiaka zápalek vložte zápalku, zapáľte ju a umiestnite vedľa otvorov na horáku. (Držiak môže byť na ľavej alebo pravej strane.)
3. Stlačte a otočte gombík horáka do polohy ♣ a horák sa zapáli. Skontrolujte, či sa horák zapáli a ďalej horí.
4. Postupne zapáľte ďalšie horáky tak, že stlačíte príslušné gombíky a otočíte ich do polohy ♣ .

## Zapálenie varnej platne zapaľovačom

- **Počas zapalovania sa nenahýňajte nad spotrebič.**

1. **Otvorte veko varnej platne.** Zapnite plyn na fľaši.
2. Otočte gombík varnej platne do polohy ♣ , stlačte a podržte gombík **ELECTRONIC IGNITOR** (Elektronický zapaľovač).
3. Ak sa varná platňa **NEZAPÁLI**, otočte gombík do polohy ○ , počkajte 5 minút a potom postup zapálenia zopakujte.

## Zapálenie varnej platne zápalkou

1. **Otvorte veko varnej platne.** Zapnite plyn na fľaši.
2. Zapálenú zápalku podržte blízko horáka.
3. Gombík varnej platne otočte do polohy ♣ . Skontrolujte, či sa horák zapáli a ďalej horí.

## Kontrola tesnosti ventilov, hadice a regulátora

Test tesnosti uskutočnite pred prvým použitím, raz za rok a pri každej výmene alebo odpojení fľaše.

1. Všetky ovládacie gombíky na spotrebiči otočte do polohy ○ .
2. Zaisťte, aby regulátor bol pevne pripojený k plynovej fľaši.
3. Zapnite plyn. Ak zaznie zvuk prúdenia, ihneď vypnite plyn. Prípojka je netesná. **Napravte stav a až potom pokračujte.**
4. Na hadicové spojky naneste kefou mydlový roztok (zmes mydla a vody).
5. Ak sa objavia rastúce bubliny, ide o netesnosť. Okamžite vypnite plyn na fľaši a skontrolujte tesnosť spojení. Ak unikanie nemožno zastaviť, nesnažte sa o opravu. Vyžadujte si náhradné diely.
6. Po vykonaní testu tesnosti vždy vypnite plyn na fľaši.

## AK SA SPOTREBIČ NEZAPALUJE

Skontrolujte, či je na fľaši zapnutý plyn.  
Skontrolujte, či je vo fľaši plyn.

Vydáva zapaľovač zvuk ako pri iskrení?

Ak áno, skontrolujte, či pri horáku vzniká iskra.

Ak nevzniká iskra, skontrolujte, či drôty nie sú poškodené alebo uvoľnené.

Ak sú drôty v poriadku, skontrolujte, či elektróda nie je prasknutá alebo rozbitá a v prípade potreby ju vymeňte.

Ak sú drôty alebo elektródy pokryté zvyškami z varenia, otrite hrot elektródy alkoholom.

V prípade potreby drôty vymeňte.

Ak nezaznie žiadny zvuk, skontrolujte batériu.

Zaisťte, aby batéria bola správne nainštalovaná.

Skontrolujte, či káblové vedenia v module a spínači nie sú uvoľnené.

Ak zapaľovač naďalej nefunguje, použite zápalku.

!

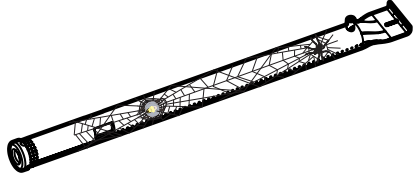
# VÝSTRAHA

!

## UPOZORNENIE

### TÝKAJÚCE SA PAVÚKOV!

**PAVÚK A PAVUČINY  
VNÚTRI HORÁKA**



Ak sa gril ťažko zapaluje alebo je plameň slabý, skontrolujte difúzéry a horáky.

Kvôli pavúkom alebo malému hmyzu niekedy dochádza k problémom so spätným plameňom v dôsledku toho, že si vytvárajú pavučiny a kladú vajíčka do difuzéra alebo horáka grilu a zabráňujú tak toku plynu. Spätný plyn sa môže zapáliť za ovládacím panelom. Tento spätný plameň môže poškodiť gril a spôsobiť zranenie osôb. Aby ste predišli vzniku spätného plameňa a zaistili dobrý výkon, zostava horáka a trubice difuzéra sa musí vybrať a vyčistiť vždy, keď sa gril dlhšie nepoužíval.

## TECHNICKÉ ÚDAJE

Char-Broil, LLC				
Názov spotrebiča	Plynový gril			
Celkový nominálny tepelný príkon	14 kW (1 018 g/h)			
Kategória plynu	I3+(28-30/37)	I3B/P(30)	I3B/P(50)	
Č. Modelu	468201115		468101115	
Typ plynu	Bután	Propán	Bután, propán alebo ich zmesi	Bután, propán alebo ich zmesi
Tlak plynu	28-30 mbar	37 mbar	30 mbar	50 mbar
Veľkosť trysky (priemer v mm)	Gril: 0,91 x 4 ks		Gril: 0,91 x 4 ks	Gril: 0,81 x 4 ks
	Varná platňa: 0,75		Varná platňa: 0,75	Varná platňa: 0,64
Cieľové krajiny	GB, FR, IE, BE, ES, IT, PT, CZ		DK, NO, NL, SE, FI, RO, IS, CZ, IT	AT, DE, SK, CH, LU



## Čistenie zostavy horákov

Postupujte podľa týchto pokynov pri čistení a výmene dielov zostavy horákov alebo ak máte problémy so zapálením spotrebiča.

1. Vypnite plyn ovládacími gombíkmi a na fľaši.
2. Vyberte varné rošty, kryty plameňa, prenášacie držadlá a horáky.
3. Odpojte elektródu od horáka.
4. Opatrne nadvihnite jednotlivé horáky a vyberte ich z otvorov ventilov.
5. Odporúčame tri spôsoby čistenia trubíc horákov. Použite ten, ktorý je pre vás najjednoduchší.

(A) Ohnite pevný drôt (napríklad z drôteného vešiaka) do tvaru háčika. Niekoľkokrát háčik prepchajte cez trubice jednotlivých horákov.



(B) Použite úzku kefu na fľaše s ohybnou rúčkou (nepoužívajte kefu z mosadzného drôtu) a niekoľkokrát ju prepchajte cez trubice jednotlivých horákov.

(C) Noste ochranné pomôcky oči: Pomocou vzduchovej hadice vžeňte vzduch do trubice horáka a von z otvorov na horáku. Skontrolujte jednotlivé otvory, či vzduch vychádza zo všetkých.

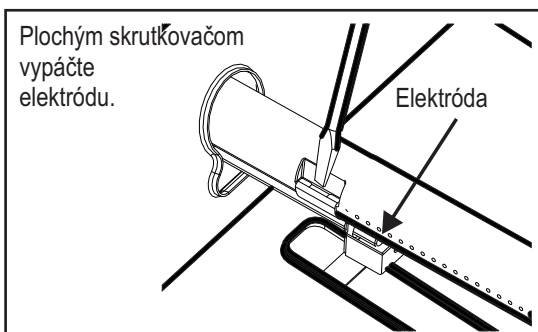
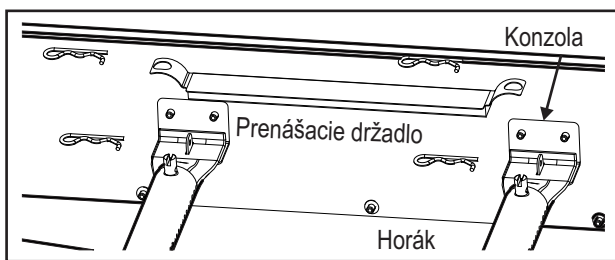
6. Celý vonkajší povrch horáka očistite drôtenou kefou, aby ste odstránili zvyšky jedál a nečistoty.
7. Všetky upchané otvory vyčistíte pevným drôtom, napríklad drôtom zo spinky.
8. Skontrolujte, či horák nie je poškodený. V dôsledku bežného opotrebovania a korózie sa niektoré diery mohli zväčšiť. Ak nájdete veľké praskliny alebo diery, horák vymeňte.

**VELMI DÔLEŽITÉ: Trubice horákov musia znovu zapadnúť do otvorov ventilov. Pozri obrázok.**

**Správne spojenie horáka a ventilu**



9. Pripojte elektródu k horáku.
10. Opatrne vymeňte horáky.
11. Pripevnite horáky ku konzolám na kúrenisku.
12. Premiestnite prenášacie držadlá a pripevnite ich k horákom. Vymeňte kryty plameňa a varné rošty.



## Skladovanie spotrebiča

- Vyčistite varné rošty.
- Uskladnite ich na suchom mieste.
- Keď je plynová fľaša pripojená k spotrebiču, skladujte ho v exteriéri, na dobre vetranom mieste a mimo dosahu detí.
- Ak spotrebič skladujete v exteriéri, zakryte ho.
- Spotrebič možno skladovať v interiéri, LEN ak je plynová fľaša vypnutá a odpojená, vybatá zo spotrebiča a uskladnená v exteriéri.
- Pri vyberaní spotrebiča zo skladovacieho priestoru skontrolujte, či horák nie je upchaný.

## Všeobecné čistenie spotrebiča

- Spotrebič čistite často, najlepšie po každom použití. Ak na čistenie varných povrchov spotrebiča použijete kefu so štetinami, pred grilovaním skontrolujte, či na varných povrchoch nezostali uvoľnené štetiny. Neodporúča sa čistiť varné povrchy, kým je spotrebič horúci. Spotrebič by sa mal vyčistiť minimálne raz ročne.
- Hnedé alebo čierne usadeniny tuku a dymu nepovažujte za farbu. Vnútrajšky plynových grilov sa vo výrobe nefarbia (**a nikdy sa ani neskôr nesmú farbiť**). Na vnútorné časti veka spotrebiča a jeho dno použite silný roztok čistiaceho prostriedku a vody alebo čistič na spotrebiče a tvrdú kefu. Potom plochy opláchnite a nechajte ich úplne vyschnúť. **Na nafarbené povrchy nepoužívajte žieravé čistiace prostriedky na spotrebiče/rúry.**
- **Plastové diely:** Umyte ich teplou mydlovou vodou a osušte.
- Na čistenie plastových dielov nepoužívajte Citrisol, abrazívne čističe, odmasťovače ani koncentrované čističe na spotrebiče. Mohlo by dôjsť k poškodeniu a poruche týchto dielov.
- **Porcelánové povrchy:** Kvôli povrchu, ktorý je podobný sklu, väčšinu zvyškov možno utrieť pomocou roztoku jedlej sódy a vody alebo čističom so špeciálnym zložením. Na ťažko odstrániteľné škvrny používajte neabrazívny čistiaci prášok.
- **Nafarbené povrchy:** Umývajte ich jemným detergentom alebo neabrazívnym čističom a teplou mydlovou vodou. Utrite suchou a mäkkou, neabrazívnou tkaninou.
- **Povrchy z ušľachtilej ocele:** Aby ste zachovali dobrý vzhľad spotrebiča, po každom použití ho umyte jemným detergentom a teplou mydlovou vodou a osušte ho mäkkou tkaninou. Spečené zvyšky tukov môžu vyžadovať použitie abrazívnej plastovej čistiacej špongie. Používajte ju len v smere kefovania povrchovej vrstvy, aby nedošlo k jej poškodeniu. Abrazívnu špongiu nepoužívajte na oblasti s obrázkami.
- **Varné povrchy:** Ak na čistenie varných povrchov spotrebiča použijete kefu so štetinami, pred grilovaním skontrolujte, či na varných povrchoch nezostali uvoľnené štetiny. Neodporúča sa čistiť varné povrchy, kým je spotrebič horúci.

## SÁ SEM ANNAST UPPSETNINGU/SAMSETNINGU:

Hafðu þessa handbók hjá neytanda.

### NEYTANDI:

Geymdu þessa handbók til uppláttar.

### Spurningar:

Hafðu samband við söluaðila á staðnum ef þú hefur einhverjar spurningar varðandi samsetningu eða notkun þessa tækis.

! **HÆTTA** !

Ef þú finnur lykt af gasi:

1. Stöðvaðu rennsli gass til tækisins.
2. Slökktu á opnum eld.
3. Opnaðu lok.
4. Ef að lyktin hverfur ekki skaltu halda þig fjarri tækinu og hringja samstundis í gassöluaðila þinn eða slökkvilið.

! **AÐVÖRUN** !

1. Ekki geyma, nota bensín eða annan eldfiman vökva nálægt þessu eða einhverju öðru tæki.
2. Gashylki sem er ekki tengt til notkunar skal ekki geyma nálægt þessu eða einhverju öðru tæki.

! **VARÚÐ** !

- Lestu og fylgdu öllum öryggisfirlýsingum, samsetningarleiðbeiningum og notkunar- og viðhaldsleiðbeiningum áður en tækið er sett saman og eldað er á því.
- Sumir hlutir geta verið oddhassir. Ráðlagt er að gengið sé með hlífðarhanska

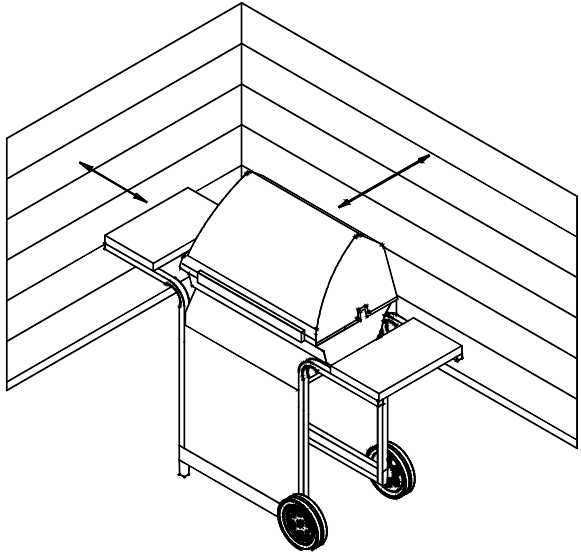
*Eldur vegna fitu*

- Ekki er hægt að slökkva í eldi vegna fitu með því að loka lokinu. Grill eru vel loftræst sökum öryggisástæðna.
- Ekki nota vatn á eld vegna fitu, slíkt getur leitt til líkamstjóns. Ef að viðvarandi eldur vegna fitu myndast skal snúa hnöppum og slökkva á gashylki.
- Ef tækið hefur ekki reglulega verið þrifið getur eldur vegna fitu átt sér stað sem getur skemmt vöruna. Hafðu varann á við forhitun eða þegar matarleifar eru brenndar upp til að tryggja að eldur vegna fitu myndist ekki. Fylgdu leiðbeiningum er varða almenn þrif á tækinu og þrif á brennara til að koma í veg fyrir eld vegna fitu.
- Besta leiðin til að hindra eld vegna fitu er að þrifa tækið reglulega.

! **AÐVÖRUN** !

Til öruggrar notkunar á tæki þínu og forðast alvarlegt líkamstjón:

- **NOTIÐ EINUNGIS UTANDYRA. NOTIÐ ALDREI INNANDYRA.**
- Lestu leiðbeiningarnar áður en tækið er notað. **Ætíð skal fylgja leiðbeiningunum.**
- Ekki hreyfa tækið þegar það er í notkun.
- Aðgengilegir hlutar geta verið mjög heitir. Haldið ungu börnum fjarri. Ekki leyfa börnum að nota eða leika sér nærri tækinu.
- Slökktu á gashylkinu eftir notkun.
- Þetta tæki verður að geyma fjarri eldfimum efnunum við notkun.
- Ekki stífla holur á hliðum eða aftan á tækinu.
- Skoðaðu reglulega loga brennara.
- Ekki stífla þrengslaop á brennara.
- Notið tækið einungis í vel loftræstu rými. **ALDREI** skal nota tækið í lokuðu rými á borð við bílskýli, bílskúr, dyrpalli, yfirbyggðri verönd eða undir yfirbyggingu af nokkurri tegund.
- Ekki nota kol eða keramiksmola í gastæki.
- **EKKI** hylja rist með álpappír eða öðru efni. Slíkt hindrar loftræstingu brennara og skapar hugsanlega hættulegar aðstæður sem stuðla að eignatjóni og/eða líkamstjóni.
- Notaðu tækið í minnsta kosti eins metra fjarlægð frá vegg eða yfirborði. Viðhalda skal þriggja metra fjarlægð frá hlutu sem kviknað getur í eða kveikjugjöfum á borð við gaumljósum á vatnshiturum, raftæki sem eru í gangi, o.s.frv.



- **ALDREI** skal reyna að kveikja á brennara með lokið á. Uppbygging gass inni í lokuðu tæki er hættuleg.
- Slökktu ávallt á gashylki og taktu þrýstijafnara úr sambandi áður en gashylkið er fært úr stað úr tilgreindri notkunarstöðu.
- Aldrei nota tækið þegar gashylkið er ekki í réttri tilgreindri stöðu.
- Ekki breyta tækinu. Allar breytingar eru stranglega bannaðar. Notandinn skal ekki handleika þéttlokaða hluta. Ekki taka innsprautunarloka með dælu í sundur.

## Öryggisábendingar

- Áður en gashylkisloki er opnaður skal kanna þéttleika þrýstijafnara.
- Þegar tækið er ekki í notkun skal slökkva á öllum hnöppum og gasi.
- Notaðu grilláhöld með löngum handföngum og ofnhanska til að forðast bruna og skvettur. Notaðu hliðarhanska þegar heitir íhlutir eru meðhöndlaðir.
- Hámarksþyngd fyrir hitaplötu og hliðarhillu er 4,5 kg. Eldunarker 200 mm að lágmarki í þvermáli og 260 mm að hámarki í þvermál.
- Fitubakkann (ef fylgir) verður að vera settur inn í tækið og tæmdur eftir hverja notkun. Ekki fjarlægja fitubakkann þar til tækið hefur að fullu kólnað.
- Farðu varlega þegar þú opnar lokið þar sem heit gufa getur komið út.
- Farðu varlega þegar börn, aldraðir einstaklingar eru gæludýr eru nærri.
- Ef þú tekur eftir að fita eða annað heitt efni lekur úr tækinu á lokann, slönguna eða loftstútinn skall slökkva samstundis á gasinu. Ákvarðaðu orsökina, leiðréttu það, þrífðu síðan og skoðaðu lokann, slönguna og loftstútinn áður en lengra er haldið. Framkvæmdu lekaprófun.
- Hafðu loftræstiop á hylkissvæði (kerra tækis) óhindrað og laust við rusl.
- Ekki geyma hluti eða efni inni á kerrusvæði tækis sem myndi hindra flæði brunalofts að botni annað hvors stjórnborðs eða skál eldhólfs.
- EKKI aftengja eða skipta um gaslát innan þriggja metra frá opnum eldi eða öðrum kveikjugjafa.

### Staðsetning hylkis

Hylki má ekki setja undir eða í tækið Hylki skal setja við hliðina eða fyrir aftan tækið. Hylki skulu að hámarki vera 310 mm að þvermáli og að hámarki 600 mm að hæð.

### Kröfur þrýstijafnara

Þrýstijafnara skal nota með þessu tæki. Notaðu aðeins gasþrýstijafnara með grillinu þínu. Ef að þrýstijafnari fylgir ekki skal einungis nota vottaðan þrýstijafnara í samræmi við EN12864 eða EN16129 (streymi hámark 1,5 kg/h) sem er viðurkenndur í landi þínu og gas sem tilgreind er í tæknilegu upplýsingum.país e o gás indicado nos Dados técnicos.


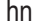
### Kröfur slöngu

Notaðu einungis viðurkennda slöngu sem er voðuð að viðeigandi EN staðli og er ekki lengri en 1,5 m. Í Finnlandi má lengd slöngu ekki vera lengri en 1,2 m.

Fyrir hverja notkun skal kanna hvort skurður eða slit sé á slöngum. Tryggðu að snurða sé ekki á slöngunni. Tryggðu að þegar slangan snerti ekki heita fleti þegar hún er tengd. Endurnýjaðu skemmdar slöngur áður en tækið er notað. Endurnýjaðu slöngur þegar slíkt þarf eins og kröfur lands lýsa.

## Kveikibúnaður



### • Ekki halla þér yfir tækið þegar kveikt er á því.

1. Snúðu stjórnloka gasbrennara á ○ .
2. **Kveiktu** á gashylki.
3. **Opnaðu lok þegar kveikt er á grillinu.**
4. Til að kveikja á grillinu er hnappinum fyrir brennarann snúið í  .
5. Ýttu og haltu hnappinum RAFMAGNSKVEIKJA inni.
6. Ef EKKI kviknar á grillinu innan 5 sekúnda skal snúa brennarhnappi ○, bíða í 5 mínútur og endurtaka kveikiferlið.
7. Kveiktu á samliggjandi brennurum í röð með því að þrýsta hnöppum inn og snúa á  . Ef ekki kviknar á grillinu skal fylgja leiðbeiningum hvernig kveikt er með eldspýtum.




### Kveikt með eldspýtum

#### • Ekki halla þér yfir tækið þegar kveikt er á því.


1. **Opnaðu lok.** Kveiktu á gashylki.
2. Settu eldspýtuna í eldspýtuhalðarann, kveiktu á henni og settu við hliðina á brennaraopin. (Halðarinn getur verið vinstra eða hægra megin.)
3. Þrýstu inn og snúðu brennarhnappnum til að  kvikni á brennara. Vertu viss um að kvikni á brennara og eldur sé viðvarandi.
4. Kveiktu á samliggjandi brennurum í röð með því að þrýsta hnöppum inn og snúa á  .

### Kveikt á hitaplötu

#### • Ekki halla þér yfir tækið þegar kveikt er á því.

1. **Opnaðu lok hitaplötu.** Kveiktu á gashylki.
2. Snúðu hnappi hitaplötu á  , þrýstu inn og haltu hnappinum RAFMAGNSKVEIKJA inni.
3. Ef EKKI kviknar á hitaplötu skal snúa happi í ○ og bíða í 5 mínútur og endurtaka síðan kveikiferlið.

### Kveikt á hitaplötu með eldspýtum

1. **Opnaðu lok hitaplötu.** Kveiktu á gashylki.
2. Settu eldspýtu sem búið er að kveikja nærri brennara.
3. Snúðu hnappi hitaplötu á  Vertu viss um að kvikni á brennara og eldur sé viðvarandi.

## Lekaprófun loka, slöngu og þrýstijafnara

Framkvæmið lekaprófun fyrir fyrstu notkun, að minnsta kosti árlega, og í hvert sinn sem skipt er um hylki eða það er aftengt.

1. Snúið öllum hnöppum tækisins á O.
2. Tryggið að þrýstijafnarinn sé tengdur þétt við gashylkið.
3. Kveiktu á gasinu. Ef þú heyrir þytshljóð skaltu slökkva samstundis á gasinu. Það er alvarlegur leki við tengið.  
**Lagaður það áður en lengra er haldið.**
4. Burstaðu með sápublöndu (helming af sápu, helming af vatni) á slöngutengin og svæðin sem eru inni í hringnum að neðan.
5. Ef loftbólur myndast er leki. Slökktu samstundis á gasinu á hylkinu og kannaðu þéttleika tengjanna. Ef ekki er hægt að stöðva leka skal ekki reyna viðgerð. Pantaðu varahluti.
6. Slökktu ávallt á gasinu á hylkinu þegar þú framkvæmir lekaprófun.

## EF EKKI KVIKNAR Á GRILLINU

Tryggðu að kveikt sé á gasinu á hylkinu.  
Tryggðu að það sé gas í hylkinu.

Kemur neistahljóð frá kveikinum?

Ef svo er skaltu kanna hvort neisti myndist við brennara.  
Ef svo er ekki skaltu kanna hvort skemmdir séu eða lausir vírar.  
Ef vírar eru í lagi skaltu kanna hvort rafskaut sé brotið eða bilað, endurnýjaðu ef með þarf.  
Ef vírar eru rafskaut eru útötuð í eldunarleifum skal þrifa rafskautsendann með þurrku með vínanda ef nauðsynlegt er.  
Ef nauðsynlegt er skal skipta um víra.

Ef ekkert hljóð er skal kanna rafhlöður.

Tryggðu að rafhlaða sé rétt komið fyrir.  
Kannaðu hvort laus víratengi séu á einingu eða rofa.

Ef kveikir heldur áfram að virka ekki skaltu nota eldspýtu.



# VARÚÐ



## KÖNGULÓAR-VIÐVÖRUN!

### KÖNGURLÆR OG VEFIR INNI Í BRENNARA



Ef erfitt er orðið að kveikja á grillinu þína eða loginn er lítil skaltu skoða og hreinsa þrengslin og brennarana.

Það er þekkt vandamál að köngulær eða lítil skordýr búa til hreiður og verpa eggjum í þrengslum grillsins eða brennara og hindra því gasflæðið. Kviknað getur í hinu uppsafnaða gas fyrir aftan stjórnborðið. Slíkt getur skemmt grillið þitt og valdið tjóni. Til að hamla að þetta gerist og tryggja góð afköst ætti að fjarlægja og hreinsa brennarann og þrengslarörið þegar grillið hefur ekki verið notað í ákveðinn tíma.

## TÆKNILEGAR UPPLÝSINGAR

Char-Broil, LLC				
Heiti tækis	Gasgrill			
Heildarspenna	14 kW (1 018g/h)			
Gasflokkur	I3+(28-30/37)	I3B/P(30)	I3B/P(50)	
Nr. Tegundar	468201115			468101115
Gastegund	Bútangas	Própagas	Bútan-, própangas eða blanda þess	Bútan-, própangas eða blanda þess
Gasþrýstingur	28-30 mbar	37 mbar	28-30 mbar	50 mbar
Innsprautunarstærð (þvermál mm)	Grill: 0,91 x 4 stk.		Grill: 0,91 x 4 stk.	Grill: 0,81 x 4 stk.
	Hitaplata: 0,75		Hitaplata: 0,75	Hitaplata: 0,64
Ákvörðunarstaðir landa	GB, FR, IE, BE, ES, IT, PT, CZ		DK, NO, NL, SE, FI, RO, IS, CZ, IT	AT, DE, SK, CH, LU



## Þrif á brennararum

Fylgdu þessum leiðbeiningum til að þrifa og/eða endurnýja íhluti í brennararum eða ef þú átt erfitt með að kveikja upp í grillinu.

1. Slökktu á gasinu með stjórnhnöppunum og á hylkinu.
2. Fjarlægðu eldunargrind, hitadreifara, flutningsrör og brennara.
3. Losaðu rafskaut í sundur frá brennara.
4. Lyftu hverjum brennara varlega upp og í burtu frá lokaopum.
5. Við mælum með þremur leiðum til að þrifa brennararör.

(A) Beygðu endann á stífum vír (létt herðatré virkar vel) í lítinn krók. Farðu með krókinn nokkrum sinnum í gegnum hvert brennararör.



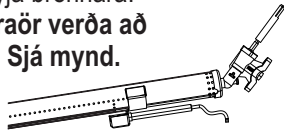
(B) Notaðu mjóan pelabursta með sveigjanlegu handfangi (ekki nota látúnsvírbursta), farðu með burstann nokkrum sinnum í gegnum hvern brennara.

(C) Notaðu augnhlífar: Notaðu loftslöngu til að troða lofti inn í brennararör og út um brennaraop. Skoðaðu hvert op til að tryggja að loft komist út um hvert þeirra.

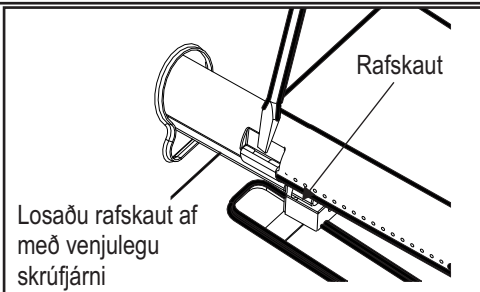
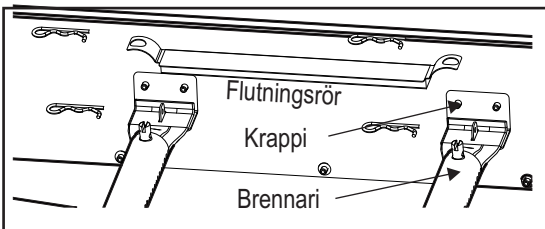
6. Burstaðu allan ytri flöt brennarans með vírbursta til að fjarlægja matarleifar og óhreinindi.
7. Hreinsaðu öll stífluð op með stífum vír á borð við bréfastemmu sem búið er að taka í sundur.
8. Kannaðu hvort skemmdir séu á brennara, sumar holur geta stækkað sökum eðlilegs slits og tæringar. Ef stórar sprungur eða holur finnast skal endurnýja brennara.

**MJÖG MIKILVÆGT: Brennaraör verða að endurtengjast lokaopunum. Sjá mynd.**

**Rétt tenging brennara við loka**



9. Festu rafskaut við brennara
10. Settu brennara varlega aftur á sinn stað.
11. Festu brennara við festingar í eldhólfi.
12. Færðu flutningsrör úr stað og festu þau við brennara. Settu hitadreifara og eldunargrindur aftur á sinn stað.



## Geymsla á tæki þínu

- Þrifðu eldunargrindur.
- Geymdu á þurrum stað.
- Þegar gashylki er tengt grillinu skal geyma það utandyra á vel loftræstum stað og þar sem börn ná ekki til.
- Breiddu yfir grillið ef það er geymt utandyra.
- AÐEINS skal geyma grillið innandyra ef slökkt er á gashylkinu og það er aftengt, fjarlægt frá grillinu og geymt utandyra.
- Þegar grillið er tekið úr geymslu skal kanna hvort einhverjar stíflur séu í brennara.

## Almenn þrif á grilli

- Þrifðu grillið oft, helst eftir hverja máltíð. Ef að bursti er notaður til að þrifa einhverja af eldunarflötum grillsins skal tryggja að ekkert úr burstanum verðir eftir á yfirborðinu áður en grillað er að nýju. Ekki er mælt með að grillið sé þrifið á meðan það er enn heitt. Tæki ætti að þrifa að minnsta kosti einu sinni á ári.
- Ekki ruglast brúnni og eða svartri samansöfnun á fitu og reyk og halda að hún sé málning. Innri byrði gasgrilla er ekki málað í verksmiðjunni (**slíkt ætti aldrei að gera**). Notaðu sterka blöndu af hreinsiefni og vatni eða tiltekið hreinsiefni með burstu á innra byrði loksins og undir. Skolaðu og gefðu tíma til að þorna að fullu. **Ekki nota ætiefni/ofnhreinsi á málaða fleti.**
- **Plasthlutar:** Þvoðu með volgu sápuvatni og þurrkaðu.
  - Ekki nota citrisol, fægilög, fituleysi eða óblönduð hreinsiefni á plasthluta. Slíkt getur leitt til tjóns og bilun á hlutum.
- **Postulínsfletir:** Sökum svipaðrar samsetningar og glers má þurrka flestar leifar burt með blöndu og matarsóða og vatni eða sérstökum hreinsiefnum. Notaðu ræstiduft sem er ekki svarfandi á erfiða bletti
- **Málaðir fletir:** Þvoðu með mildu hreinsiefni eða efni sem er ekki svarfandi og volgu sápuvatni. Þurrkaðu með mjúkum klút.
- **Fletir úr ryðfríu stáli:** Til að viðhalda hágæða útliti tækis þíns skaltu þvo það með mildu hreinsiefni og volgu sápuvatni og þurrka með mjúkum klút eftir hverja notkun. Fastir fitublettir gætu krafist notkunar svarfandi hreinsipúða út plasti. Þvoðu einungis í þátt átt sem áferðin liggur til að forðast skemmdir. Ekki nota svarfandi púða á svæði með myndum eða letri.
- **Eldunarfletir:** Ef að bursti er notaður til að þrifa einhverja af eldunarflötum grillsins skal tryggja að ekkert úr burstanum verðir eftir á yfirborðinu áður en grillað er að nýju. Ekki er mælt með að eldunarfletir séu þrífir á meðan grillið er enn heitt.

## INSTALATOR/MONTATOR:

Lăsați prezentul manual la consumator.

## CONSUMATOR:

Păstrați prezentul manual pentru informații viitoare.

## Întrebări:

Dacă aveți întrebări în timpul montării sau utilizării acestui aparat, contactați distribuitorul dv. local.



## PERICOL



Dacă simțiți miros de gaz:

1. Închideți gazul către aparat
2. Stingeti orice foc deschis
3. Deschideți capacul
4. Dacă mirosul continuă, îndepărtați-vă de aparat și chemați imediat furnizorul de gaze sau departamentul pompieri



## AVERTISMENT



1. Nu depozitați sau utilizați petrol sau alte lichide inflamabile în apropierea acestui sau a oricărui alt aparat.
2. Butelia de gaz neconectată pentru a fi folosită nu se va depozita în apropierea acestui sau a oricărui alt aparat.



## ATENȚIUNE



- Citiți și urmați toate specificațiile de siguranță, instrucțiunile de asamblare și indicațiile de utilizare și întreținere înainte de a încerca să montați și să gătiți.
- Anumite părți pot avea margini ascuțite. Este recomandată purtarea mănușilor de protecție.

### **Incendii provocate de grăsimi**

- Stingerea incendiilor provocate de grăsimi prin închiderea capacului nu este posibilă. Grătarele sunt bine aerisite din motive de siguranță.
- Nu folosiți apă peste incendiul provocat de grăsimi. Vă puteți vătăma. Dacă incendiul provocat de grăsime se amplifică, închideți butoanele izolatoare și butelia.
- Dacă aparatul nu a fost curățat în mod regulat, se poate produce un incendiu provocat de grăsimi, deteriorând produsul. Acordați atenție sporită când preîncălziți sau ardeți reziduurile de mâncare pentru a asigura că nu se poate produce un incendiu de la grăsimi. Urmați instrucțiunile privind Curățarea Generală a Aparatului și Curățarea Ansamblului de Ardere pentru prevenirea incendiilor de la grăsimi.
- Curățarea regulată a aparatului este cea mai bună cale pentru prevenirea incendiilor de la grăsimi.

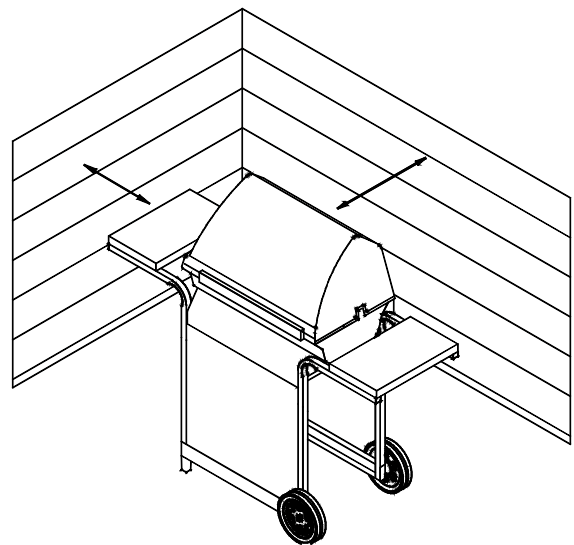


## AVERTISMENT



### **Pentru Utilizarea Sigură a Aparatului Dumneavoastră și pentru Evitarea Vătămării Grave:**

- **A SE UTILIZA NUMAI ÎN AER LIBER. NICIODATĂ ÎN INTERIOR.**
- Citiți instrucțiunile înainte de folosirea aparatului. Urmați întotdeauna aceste instrucțiuni.
- Nu mișcați aparatul în timpul utilizării
- Părțile accesibile pot fi foarte fierbinți. Nu lăsați copiii în preajma aparatului. Nu lăsați copiii să acționeze sau să se joace lângă aparat.
- Închideți alimentarea cu gaz de la butelie după utilizare.
- Prezentul aparat trebuie ținut departe de materialele inflamabile în timpul utilizării.
- Nu blocați orificiile laterale și din spatele aparatului.
- Verificați în mod regulat flăcările arzătorului.
- Nu blocați deschiderile tubului venturi înspre arzător.
- Folosiți aparatul numai în spații ventilate. NU utilizați aparatul în spații închise precum șopron, garaj, terasă, curte interioară acoperită sau sub o structură etajată de orice fel.
- Nu folosiți brichete de cărbuni sau ceramice la un aparat pe gaz.
- **NU** acoperiți ochiurile cu folie de aluminiu sau oricare alt material. Aceasta va bloca ventilarea arzătorului și va crea o condiție potențial periculoasă ce va avea drept urmare deteriorarea proprietății și/sau vătămarea persoanelor.
- **Utilizați aparatul la cel puțin 1 m de orice perete sau suprafață.** Păstrați o distanță de 3 m față de obiectele care pot lua foc sau de surse de aprindere precum becul de control al boilerului, aparate electrice sub tensiune, etc.



- **NU** încercați NICIODATĂ să aprindeți arzătorul cu capacul închis. O acumulare de gaz neaprins înăuntrul unui aparat închis este periculos.
- Întotdeauna închideți gazul de la butelie și deconectați regulatorul înainte de mișcarea buteliei de gaz din poziția de funcționare specificată.
- Nu folosiți aparatul cu butelia de gaz incorect poziționată conform specificației.
- Nu modificați aparatul. Orice modificări sunt strict interzise. Părțile sigilate nu trebuie manipulate de utilizator. Nu demontați injectorii.

## Sfaturi privind siguranța

- Înainte de deschiderea valvei buteliei de gaz, verificați etanșeitarea regulatorului.
- Când aparatul nu este în uz, închideți toate butoanele de control și gazul.
- Utilizați ustensile de barbecue cu mânere lungi și mănuși pentru cuptor pentru a evita arsurile și pătarea. Folosiți mănuși de protecție când manipulați componente fierbinți.
- Sarcina maximă a plitei și a plitei laterale este 4,5 kg. Diametrul vasului de gătit este de min. 200 mm și max. 260 mm.
- Tava pentru grăsime (dacă există) trebuie să fie introdusă în aparat și golită după fiecare utilizare. Nu îndepărtați tava pentru grăsime până când aparatul nu este răcit complet.
- Aveți grijă când deschideți capacul, aburul fierbinte se poate degaja.
- Aveți grijă când sunt copii, bătrâni sau animale prin preajmă.
- Dacă observați grăsime sau alt material încins scurgându-se din aparat pe supapă, furtun sau regulator, închideți alimentarea cu gaz imediat. Găsiți cauza, corectăți-o, apoi curățați și inspectați valva, furtunul și regulatorul înainte de a continua gătitul. Efectuați un test de scurgere.
- Păstrați deschise și fără depuneri de materiale solide orificiile de ventilație în spațiul destinat buteliei de gaz (căruciorul aparatului).
- Nu depozitați obiecte sau materiale în interiorul căruciorului aparatului care poate bloca fluxul aerului pentru întreținerea arderii către partea interioară fie a panoului de control sau a focarului.
- NU întrerupeți sau schimbați butelia de gaz la o distanță mai mică de 3 m de un foc deschis sau altă sursă de ardere.

### Poziționarea Buteliei

Butelia nu poate fi poziționată sub sau în aparat. Buteliile trebuie poziționate în laterala sau spatele aparatului. Buteliile trebuie să aibă un diametru maxim de 310 mm și o înălțime maximă de 600 mm.

### Cerințe cu privire la Regulator

Se va utiliza împreună cu acest aparat un regulator. Utilizați numai regulatorul de gaz livrat cu aparatul dv. de barbecue. Dacă nu este livrat niciun regulator, atunci utilizați numai regulatorul certificat conform EN12864 sau EN16129 (Rata fluxului max. 1,5 kg/h) și aprobat pentru țara dumneavoastră și gazul specificat în Datele Tehnice.

### Cerințe cu privire la Furtun

Utilizați numai furtunul aprobat care este certificate să corespundă standardului EN și care nu depășește 1,5m lungime.

Pentru Finlanda, lungimea furtunului nu trebuie să depășească 1,2m. Înainte de fiecare utilizare, verificați dacă furtunurile prezintă tăieturi sau sunt uzate. Asigurați-vă că furtunul nu este îndoit. Asigurați-vă că furtunul nu atinge nicio suprafață fierbinte când este conectat. Înlocuiți furtunurile deteriorate înainte de utilizarea aparatului. Înlocuiți furtunul conform cerințelor naționale.

## Aprinderea Ignitorului

- **Nu vă aplecați deasupra aparatului în timp ce se aprinde.**
- 1. Răsuciți valva de control a arzătorului spre ○.
- 2. PORNIȚI butelia de gaz
- 3. **Deschideți capacul în timpul aprinderii.**
- 4. Pentru a aprinde, răsuciți butonul arzătorului spre ➤.
- 5. Apăsați și mențineți apăsat butonul **APRINDERE ELECTRONICĂ**.
- 6. Dacă aprinderea NU se produce în 5 secunde, rotiți comenzile arzătorului ○, așteptați 5 minute și repetați procedura de aprindere.
- 7. Aprindeți arzătoarele auxiliare pe rând prin apăsarea butoanelor și rotirea lor spre ⬇. Dacă ignitorul nu funcționează, urmați instrucțiunile de aprindere cu chibrituri.



## Aprinderea cu Chibrituri

- **Nu vă aplecați deasupra aparatului în timp ce se aprinde.**
- 1. **Deschideți capacul.** Porniți butelia de gaz.
- 2. Plasați chibritul în suportul de chibrit, aprindeți chibritul și apropiați-l de orificiul arzătorului. (Suportul poate fi pe partea stângă sau dreaptă)
- 3. Apăsați și răsuciți butonul arzătorului spre ⬇ pentru aprinderea arzătorului. Asigurați-vă că arzătorul arde și rămâne aprins.
- 4. Aprindeți arzătoarele auxiliare pe rând prin apăsarea butoanelor și rotirea lor spre ⬇.

## Aprinderea Ignitorului Plitei


- **Nu vă aplecați deasupra aparatului în timp ce se aprinde.**
- 1. **Deschideți capacul plitei.** Porniți butelia de gaz.
- 2. Răsuciți butonul plitei spre ⬇, apăsați și mențineți apăsat butonul APRINZĂTOR (IGNITOR) ELECTRONIC.
- 3. Dacă plita NU se aprinde, răsuciți butonul ○ și așteptați 5 minute, apoi repetați procedeul de aprindere.

## Aprinderea Plitei cu Chibritul

1. **Deschideți capacul plitei.** Porniți butelia de gaz.
2. Plasați chibritul aprins lângă arzător.
3. Răsuciți butonul plitei spre ⬇. Asigurați-vă că arzătorul este și rămâne aprins.

## Valve, Furtun și Regulator Pentru Testarea Scurgerilor

Testați scurgerile înainte de prima utilizare, cel puțin o dată pe an și de fiecare dată când se schimbă sau se deconectează bateria.

1. Răsuciți toate butoanele de control ale aparatului spre .
2. Asigurați-vă că regulatorul este conectat în mod etanș la butelie.
3. Porniți gazul. Dacă auziți un zgomot precipitat, închideți imediat gazul. Există o scurgere mare la îmbinare.

### Corecți-o înainte de a acționa.

4. Aplicați cu peria o soluție cu săpun (amestec de jumătate săpun, jumătate apă) pe îmbinările furtunului și zonele încercuite inferioare.
5. Dacă apar bășici, există o scurgere. Opriti gazul de la butelie imediat și verificați etanșeitatea îmbinărilor. Dacă scurgerea nu poate fi oprită, nu încercați să reparați. Solicitați piesele de schimb.
6. Întotdeauna opriti gazul de la butelie după efectuarea testului de scurgere.

## DACĂ APARATUL NU SE APRINDE

Asigurați-vă că gazul este pornit de la butelie.

Asigurați-vă că există gaz în butelie.

Auziți un zgomot de descărcare de la ignitor?

Dacă da, verificați scânteia la arzător.

Dacă nu există scânteie, controlați cablurile deteriorate sau detașate.

Dacă firele sunt bine, controlați dacă electrodul este crăpat sau spart și înlocuiți-l dacă este nevoie.

Dacă firele sau electrozii sunt acoperiți cu reziduuri de la gătit, curățați capătul electrodului cu alcool dacă este necesar.

Dacă este necesar, înlocuiți cablurile.

Dacă nu se aude niciun sunet, verificați bateria.

Asigurați-vă că bateria este instalată corect.

Controlați cablurile neconectate la modul și întrerupător.

Dacă ignitorul continuă să nu funcționeze, atunci folosiți chibritul.



# ATENȚIUNE



## ATENȚIE LA PĂIANJENI!

### PĂIANJENI ȘI PÂNJE DE PĂIANJEN ÎNĂUNTRUL ARZĂTORULUI



Dacă aparatul barbeque se aprinde greu sau flacăra este slabă, verificați și curățați tubul venturis și arzătoarele.

Păienjenii sau insectele mici sunt cunoscute pentru crearea problemelor de „retur al flăcării” pentru că își construiesc cuiburi și depun ouă în tuburile venturi ale barbeque sau arzătorului, obturând debitul gazului. Gazul împins înapoi se poate aprinde în spatele panoului de control. Acest retur al flăcării poate deteriora aparatul și produce vătămări. Pentru prevenirea retururilor și pentru asigurarea unei funcționări bune, ansamblul arzătorului și al tubul venturi trebuie îndepărtat și curățat ori de câte ori aparatul barbeque a stat nefolosit o perioadă îndelungată de timp.

## DATE TEHNICE

Char-Broil, LLC				
Numele aparatului	Barbeque / Grătar pe gaz			
Total Nominal	14 kW (1 018g/h)			
Categorie Gaz	I3+(28-30/37)	I3B/P(30)	I3B/P(50)	
Model Nr.	468201115		468101115	
Tip Gaz	Butan	Propan	Butan, Propan sau amestecurile acestora	Butan, Propan sau amestecurile acestora
Presiune Gaz	28-30 mbar	37 mbar	28-30 mbar	50 mbar
Mărime Injector (Diam. mm)	Grătar: 0,91 x 4 buc. Pliță: 0,75		Grătar: 0,91 x 4 buc. Pliță: 0,75	Grătar: 0,81 x 4 buc. Pliță: 0,64
Țări de destinație	GB, FR, IE, BE, ES, IT, PT, CZ		DK, NO, NL, SE, FI, RO, IS, CZ, IT	AT, DE, SK, CH, LU



## Curățarea Ansamblului Arzătorului

Urmați aceste instrucțiuni pentru curățarea și/sau înlocuirea părților ansamblului arzătorului sau dacă aveți probleme cu aprinderea aparatului.

1. Opriti gazul de la butoanele de control și de la butelie.
2. Îndepărtați grătarele de gătit, reductorul de flacără, tuburile de transfer și arzătoarele.
3. Detașați electrodul de la arzător.
4. Ridicați cu grijă fiecare arzător și îndepărtați-l de orificiile supapei.
5. Noi sugerăm trei modalități de curățare a tuburilor arzătorului. Folosiți-o pe cea care vi se pare cea mai ușoară.

(A) Îndoiti o sârmă rigidă (un umeras ușor se confecționează ușor) sub forma unui cârlig. Plimbați cârligul peste fiecare tub al arzătorului de mai multe ori.



(B) Folosiți o perie de sticle înguste cu un mâner flexibil (nu folosiți perie de sârmă), plimbați peria peste fiecare arzător de mai multe ori.

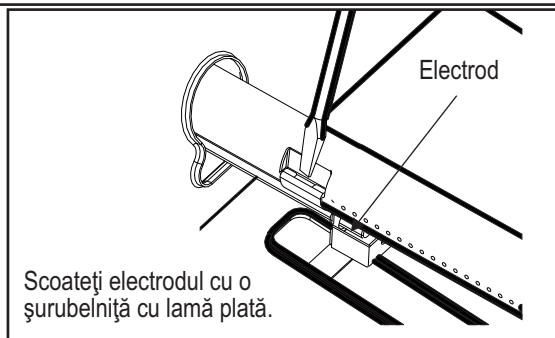
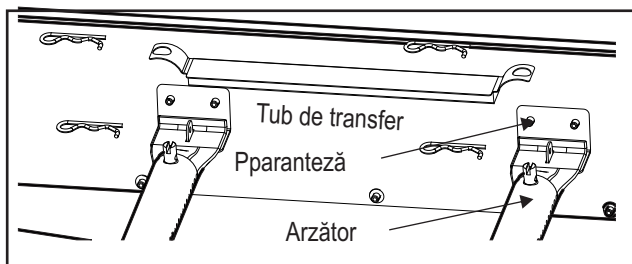
(C) Purtați ochelari de protecție: Folosiți un furtun de aer pentru a a forța aerul în tubul arzătorului și în afara deschiderilor arzătorului. Verificați fiecare deschidere pentru a vă asigura că aerul iese prin fiecare orificiu.

6. Frecați cu o perie de sârmă toată suprafața exterioară a arzătorului pentru îndepărtarea reziduurilor de mâncare și murdărie.
7. Curățați oricare deschidere blocată cu o sârmă rigidă ca de exemplu o clema pentru hârtie desfăcută.
8. Verificați arzătorul de deteriorări, datorită uzurii normale și coroziunii anumite orificii pot fi lărgite. Dacă constatați orice crăpături sau orificii mari, înlocuiți arzătorul.

**FOARTE IMPORTANT: Tuburile arzătorului trebuie să recupleze deschiderile supapei. A se vedea ilustrația.**

**Corecțai cuplarea arzătorului cu valve.**

9. Atașați electrodul la arzător.
10. Înlocuiți cu grijă arzătoarele.
11. Atașați arzătoarele la consolele din camera de ardere
12. Repoziționați tuburile de transfer și atașați arzătoarele. Înlocuiți reductorul de flacără și grătarele de gătit.



## Depozitarea aparatului dv.

- Curățați grătarele de gătit
- Depozitați într-un loc uscat
- Când butelia de gaz este conectată la aparat, depozitați aparatul în exterior într-un spațiu bine ventilat și departe de accesul copiilor.
- Acoperiți aparatul dacă îl depozitați în exterior.
- Depozitați aparatul în interior, NUMAI dacă butelia de gaz este închisă și deconectată, îndepărtată de aparat și depozitată în exterior.
- Când mutați aparatul din locul de depozitare, verificați obstrucționarea arzătorului.

## Curățarea Generală a aparatului

- Curățați aparatul des, de preferat după fiecare picnic. Dacă folosiți o perie din păr de porc pentru curățarea oricărei suprafețe a aparatului de gătit, asigurați-vă să nu rămână fire de păr pe suprafețele de gătit înainte de utilizarea grătarului. Nu se recomandă curățarea suprafeței de gătit când aparatul este fierbinte. Aparatul trebuie curățat cel puțin o dată pe an.
- Nu confundați acumulările maron sau negre de grăsime sau fum cu vopseaua. Interioarele grătarelor pe gaz nu sunt vopsite din fabrică (**și nu trebuie să fie vopsite niciodată**). Aplicați o soluție puternică de detergent și apă și folosiți un curățitor cu ajutorul unei perii de frecat pentru părțile interioare ale aparatului, capac și a bază. Limpeziți și permiteți să se usuce total la aer. **Nu aplicați sodă caustică pe suprafețele vopsite.**
- **Părțile de plastic** se spală cu apă și săpun și se șterg cu o cârpă.
  - Nu utilizați solvenți de tipul Citrisol, curățitori abrazivi, degresanților sau a soluțiilor de curățare concentrate pe piesele din plastic. Pot apărea deteriorări și avarieri ale pieselor.
- **Suprafețele de porțelan:** datorită compoziției pe bază de sticlă, majoritatea reziduurilor pot fi îndepărtate cu o soluție de bicarbonat de sodiu și apă sau cu un curățitor special preparat. Utilizați pudră de frecat neabrazivă pentru petele dure.
- **Suprafețele vopsite:** Spălați cu detergent blând sau cremă neabrazivă și apă caldă cu săpun. Ștergeți cu o pânză moale neabrazivă.
- **Suprafețele din oțel:** pentru întreținerea aspectului de o calitate ridicată a aparatului dv., spălați cu un detergent blând și apă caldă cu săpun și ștergeți cu o pânză moale după fiecare utilizare. Depunerile de grăsime arsă pot necesita utilizarea unui burete de plastic abraziv. Utilizați numai în direcția periajului finisării pentru a evita deteriorarea. Nu folosiți bureți abrazivi pe zonele cu diagrame.
- **Suprafețele de gătit:** Dacă se folosește o perie din păr de porc pentru curățarea oricăror suprafețe ale aparatului de gătit, asigurați-vă că niciun fir de păr nu rămâne pe suprafețele de gătit înainte de a folosi grătarul. Nu se recomandă curățarea suprafețelor de gătit cât timp aparatul este fierbinte.

## PRO INSTALATÉRA/MONTÉRA:

Tuto příručku ponechejte spotřebiteli.

## PRO SPOTŘEBITELE:

Uchovejte tuto příručku pro pozdější nahlédnutí.

### Otázky:

Pokud budete mít během sestavení nebo v průběhu používání tohoto spotřebiče jakékoliv otázky, spojte se se svým místním prodejcem.



## NEBEZPEČÍ



Pokud ucítíte plyn:

1. Zavřete přívod plynu do spotřebiče.
2. Uhasťte jakýkoliv otevřený oheň.
3. Otevřete poklop.
4. Pokud zápach cítíte i nadále, nepřibližujte se ke spotřebiči a okamžitě se spojte s vaším dodavatelem plynu nebo požární stanicí.



## VAROVÁNÍ



1. Neskladujte ani nepoužívejte benzín nebo jiné hořlavé kapaliny v blízkosti tohoto spotřebiče ani jiných přístrojů.
2. Plynová bomba, která není připojena ke spotřebiči, nesmí být skladována v blízkosti tohoto spotřebiče, ani v blízkosti jiných přístrojů.



## POZOR



- Pozorně si přečtěte a dodržujte všechny bezpečnostní pokyny, pokyny pro sestavení a pro používání a péči předtím, než přístroj sestavíte a budete jej používat pro přípravu jídla.
- Některé součásti mohou mít ostré hrany. Doporučujeme používat ochranné rukavice.

### Vznícení tuku

- Uhasit vznícený tuk tak, že zavřete poklop grilu, není možné. Grily jsou z bezpečnostních důvodů dobře odvětrávány.
- Na vznícený tuk nikdy nepoužívejte vodu. Mohlo by dojít k poranění osob. Pokud i nadále dochází ke vznícení tuku, otočte knoflíky do polohy vypnuto a odpojte zásobník plynu.
- Pokud nebyl spotřebič řádně čištěn, může dojít ke vznícení usazeného tuku a tak k poškození produktu. Při přehřívání nebo vypalování zbytků jídla dbejte na to, aby nedošlo ke vznícení tuku. Dodržujte instrukce uvedené v odstavcích Celkové čištění stroje a Čištění hořáků, abyste se vyvarovali vznícení tuku.
- Nejlepší prevencí vznícení tuku je pravidelné čištění spotřebiče.

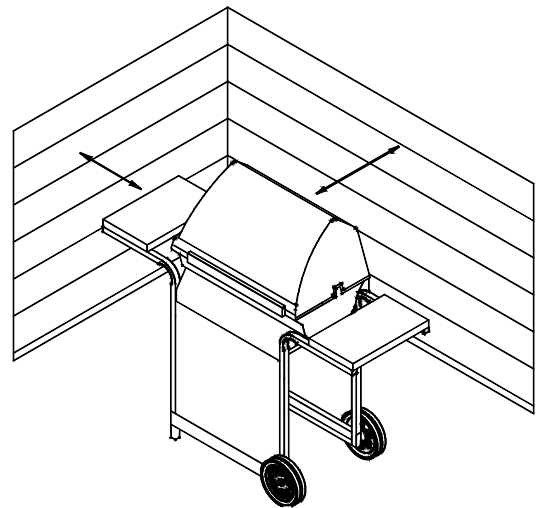


## VAROVÁNÍ



**Pro bezpečné používání vašeho spotřebiče a předcházení vzniku vážných úrazů:**

- **POUŽÍVEJTE POUZE VE VENKOVNÍM PROSTŘEDÍ. NIKDY NEPOUŽÍVEJTE UVNITŘ.**
- Před používáním spotřebiče si důkladně přečtěte pokyny pro používání. Tyto pokyny vždy dodržujte.
- Spotřebič během používání nepřemísťujte.
- Přístupné součásti mohou být velmi horké. Malé děti se nesmí k přístroji přibližovat. Nedovolte, aby děti s přístrojem zacházely nebo si s ním hrály.
- Po skončení práce se spotřebičem odpojte plynovou bombu.
- Tento spotřebič musí být během používání umístěn z dosahu hořlavých materiálů.
- Nezakrývejte otvory na stranách spotřebiče nebo na jeho zadní straně.
- Pravidelně kontrolujte plameny hořáku.
- Neblokujte otvory venturiho trubic na hořáku.
- Spotřebič používejte pouze v dobře větraném prostoru. NIKDY spotřebič nepoužívejte na zakrytých místech, jako je přístřešek pro auto, garáž, veranda, krytá terasa nebo místa pod jakoukoliv jinou konstrukcí.
- Přístroj je určen pro plyn, nepoužívejte v něm uhlí ani keramické brikety.
- Grilovací mřížky **NEZAKRÝVEJTE** alobalem, ani jiným materiálem. Došlo by k zablokování ventilace přístroje a k vzniku potenciálně nebezpečné situace, která může vést k poškození přístroje a/nebo poranění osob.
- **Spotřebič používejte ve vzdálenosti minimálně 1 m od stěny nebo jiných povrchů.** Dodržujte vzdálenost 3 m od objektů, které mohou vzplanout, nebo od zdrojů vznícení, jako jsou kontrolky na ohřívacích vody, aktivní elektrické přístroje, ap.



- NIKDY se nepokoušejte zapálit hořák, když je poklop zavřený. Nahromaděný nezapálený plyn uvnitř zavřeného přístroje je nebezpečný.
- Vždy zavřete přívod plynu ze zásobníku a odpojte regulátor předtím, než budete přemísťovat plynovou nádobu z její uvedené provozní polohy.
- Přístroj nikdy nepoužívejte, pokud není tlaková nádoba s plynem ve správné pozici dle specifikace.
- Na spotřebiči neprovádějte žádné změny. Provádění jakýchkoliv změn je přísně zakázáno. Uživatel nesmí manipulovat s utěsněnými součástmi. Nerozebírejte trysky.

## Bezpečnostní tipy

- Před otevřením ventilu na plynové bombě zkontrolujte těsnost regulátoru.
- Pokud přístroj nepoužíváte, otočte ovládací knoflíky do polohy vypnuto a zavřete přívod plynu.
- Používejte grilovací náčiní s dlouhými rukojeťmi a ochranné rukavice na vaření, abyste se vyvarovali popálení nebo postříkání horkým tukem. Při manipulaci s horkými součástmi používejte ochranné rukavice.
- Maximální zatížení plotýnky a boční odkládací plochy je 4,5 kg. Minimální průměr nádoby pro vaření je 200 mm, maximální průměr je 260 mm.
- Miska na zachytávání tuku (pokud jí je přístroj vybaven) musí být vložena do přístroje a po každém použití je nutné ji vyprázdnit. Misku na zachytávání tuku neodstraňujte, dokud nebude přístroj zcela studený.
- Při otvírání poklopu buďte velice opatrní, může z pod něj vycházet velmi horká pára.
- Buďte velmi opatrní, pokud jsou poblíž děti, staří lidé nebo domácí zvířata.
- Pokud zjistíte, že z přístroje odkapává tuk nebo jiný horký materiál na ventil, hadici nebo ventilátor, okamžitě uzavřete přívod plynu. Zjistěte příčinu a odstraňte ji, pak vyčistěte a zkontrolujte ventil, hadici a regulátor před tím, než budete v používání pokračovat. Proveďte zkoušku těsnosti.
- Ventilační otvory v krytu nádoby (ve vozíku přístroje) udržujte volné a čisté.
- Ve vozíku přístroje neskladujte předměty nebo materiály, které by blokovaly průchod spalovacího vzduchu ke spodní části ovládacího panelu nebo nádoby topeniště.
- Zásobník plynu NEODPOJUJTE ani nevyměňujte ve vzdálenosti menší než 3 m od otevřeného ohně nebo zdroje vznícení.

## Umístění zásobníku

Zásobník nesmí být umístěn pod nebo v zařízení. Zásobníky musí být umístěny po stranách a na zadní části zařízení. Maximální průměr zásobníků je 310 mm, maximální výška 600 mm.

## Požadavky na regulátor

S tímto přístrojem musí být použit regulátor. Používejte pouze regulátor plynu dodávaný s vaším grilem. Pokud s přístrojem nebyl dodán regulátor, použijte pouze regulátor, který má osvědčení dle normy EN12864 nebo EN16129 (max. průtok 1,5 kg/hod.) a je schválen ve vaší zemi a pro plyn dle specifikace uvedené v Technických údajích.

## Požadavky na hadici

Používejte pouze schválenou hadici, která má osvědčení dle normy EN a její délka nepřesahuje 1,5 m. Pro Finsko platí, že délka hadice nesmí překročit 1,2 m.

Před každým použitím zkontrolujte, zda nejsou hadice poškozeny nebo opotřebené. Přesvědčte se, že hadice není zkroucená. Ujistěte se, že hadice se po připojení nedotýká žádného horkého povrchu. Poškozené hadice vyměňte před tím, než budete přístroj používat. Hadici vyměňte v souladu s národními předpisy.

## Zapalování pomocí zapalovače

- **Při zapalování se nenaklánějte nad přístroj.**

1. Otočte ovládací ventily plynového hořáku do polohy ○ .
2. Otevřete přívod plynu na tlakové nádobě.
3. **Při zapalování otevřete poklop.**
4. Pro zapálení otočte knoflík pro zapálení hořáku do polohy ⚡ .
5. Stiskněte a přidrže tlačítko **ELEKTRONICKÉHO ZAPALOVÁNÍ**.
6. Pokud NEDOJDE k zapálení během 5 sekund, otočte ovládacími knoflíky hořáku do polohy ○ , vyčkejte 5 minut a opakujte postup pro zapálení.
7. Postupně zapalte sousední hořáky stisknutím a otočením knoflíku do polohy ♣ . Pokud zapalovač nefunguje, proveďte kroky pro zapálení hořáku sirkou.



## Zapalování sirkou

- **Nenaklánějte se nad přístroj při zapalování.**

1. **Otevřete poklop.** Otevřete přívod plynu na tlakové nádobě.
2. Umístěte sirku do držáku, zapalte ji a umístěte ji do blízkosti hořáku. (Držák může být umístěn na levé, nebo na pravé straně.)
3. Pro zapálení stiskněte a otočte knoflík hořáku do polohy ♣ . Přesvědčte se, že se hořák zapálí a zůstane hořet.
4. Postupně zapalte sousední hořáky stisknutím a otočením knoflíku do polohy ♣ .

## Zapalování plotýnky zapalovačem

- **Při zapalování se nenaklánějte nad přístroj.**

1. **Otevřete poklop plotýnky.** Otevřete přívod plynu na tlakové nádobě.
2. Otočte knoflík plotýnky do polohy ♣ , stiskněte a přidrže tlačítko **ELEKTRONICKÉHO ZAPALOVAČE**.
3. Pokud se plotýnka NEZAPÁLÍ, otočte knoflíkem do polohy ○ , vyčkejte 5 minut a pak znovu opakujte postup pro zapálení.

## Zapalování plotýnky sirkou

1. **Otevřete poklop plotýnky.** Otevřete přívod plynu na tlakové nádobě.
2. Zapálenou sirkou dejte do blízkosti hořáku.
3. Otočte knoflíkem plotýnky ♣ . Ujistěte se, že se hořák zapálil a hoří.

## Zkouška těsnosti ventilů, hadice a regulátoru

Proveďte zkoušku těsnosti před prvním použitím, minimálně jednou za rok a při každé výměně nebo odpojení zásobníku.

1. Otočte všechny knoflíky přístroje do polohy ○.
2. Ujistěte se, že je regulátor těsně připojen k zásobníku s plynem.
3. Otevřete přívod plynu. Pokud uslyšíte syčení, okamžitě přívod plynu zavřete. V napojení dochází k velkému úniku plynu. **Opravte jej před tím, než budete pokračovat.**
4. Naneste kartáčkem mýdlový roztok (směs poloviny mýdla a poloviny vody) na hadicová spojení a oblasti zakroužkované v obrázku níže.
5. Pokud se objevují nafukující se bubliny, je spojení netěsné. Okamžitě zavřete přívod plynu ze zásobníku a zkontrolujte těsnost spojení. Pokud není možné únik zastavit, nepokoušejte se jej opravit. Požádejte o výměnu součástí.
6. Po kontrole těsnosti vždy zavřete přívod plynu na nádobě.

## POKUD SE PŘÍSTROJ NEPodaří ZAPÁLIT

Ujistěte se, že je otevřen přívod plynu na tlakové nádobě.  
Ujistěte se, že v nádobě je plyn.

Vydává zapalovač jiskřivý zvuk?

Pokud ano, zkontrolujte, že hořák dává jiskru.

Pokud přístroj nedává jiskru, zkontrolujte, zda nedošlo k poškození nebo uvolnění vodičů.

Pokud jsou vodiče v pořádku, zkontrolujte, zda není poškozena elektroda. V případě potřeby ji vyměňte.

Pokud jsou na vodičích nebo elektrodách zbytky po vaření, vyčistěte v případě potřeby špičku elektrody utěrkou s alkoholem.

V případě potřeby vodiče vyměňte.

Pokud neslyšíte žádný zvuk, zkontrolujte baterii.

Ujistěte se, že je baterie správně vložena.

Zkontrolujte, zda na modulu nebo spínači není uvolněn nějaký vodič.

Pokud zapalovač i nadále nefunguje, použijte sirku.



POZOR



### VAROVÁNÍ PŘED PAVOUKY!

#### PAVOUCI A PAVUČINY UVNITŘ HOŘÁKU



Pokud se váš gril těžko zapaluje nebo jsou plameny slabé, zkontrolujte jej a vyčistěte otvory venturiho trubice a hořáky.

Je známo, že pavouci nebo drobný hmyz způsobují problém "zpětného vzplanutí" tím, že si ve venturiho trubicích a hořácích grilu staví hnízda a kladou sem vajíčka, což zabraňuje průchodu plynu. Může dojít ke vznícení nahromaděného plynu za ovládacím panelem. Toto zpětné vzplanutí může poškodit váš gril a způsobit zranění. Pro prevenci zpětného vzplanutí a zajištění stálého výkonu přístroje je nutné hořák a venturiho trubici vyjmout a vyčistit pokaždé, když gril delší dobu nepoužíváte.

## TECHNICKÉ ÚDAJE

Char-Broil, LLC				
Název přístroje	Plynový gril			
Celkový jmenovitý výkon	14 kW (1 018g/h)			
Kategorie plynu	I3+(28-30/37)	I3B/P(30)	I3B/P(50)	
Č. Modelu	468201115			468101115
Typ plynu	Butan	Propan	Butan, propan nebo jejich směsi	Butan, propan nebo jejich směsi
Tlak plynu	28-30 mbar	37 mbar	28-30 mbar	50 mbar
Velikost trysky (prům. mm)	Gril: 0,91 x 4 ks		Gril: 0,91 x 4 ks	Gril: 0,81 x 4 ks
	Plotýnka: 0,75		Plotýnka: 0,75	Plotýnka: 0,64
Země určení	GB, FR, IE, BE, ES, IT, PT, CZ		DK, NO, NL, SE, FI, RO, IS, CZ, IT	AT, DE, SK, CH, LU



## Čištění hořáku

Postupujte podle těchto pokynů při čištění a/nebo výměně součástí hořáku, nebo pokud máte problémy se zapalováním přístroje.

1. Zavřete přívod plynu ovládacími knoflíky na spotřebiči a na nádobě.
2. Sejměte grilovací mřížky, tlumiče plamene, trubky vedení a hořáky.
3. Odpojte elektrodu od hořáku.
4. Opatrně zdvihněte každý hořák směrem nahoru a směrem od ventilů.
5. Navrhujeme tři možné způsoby čištění trubic hořáků.

Vyberte si ten, který je pro vás nejsnazší.

**(A)** Ohněte tvrdý drát (může být i lehké ramínko na šaty) do tvaru malého háčku. Několikrát háček protáhněte trubicí každého hořáku.



**(B)** Použijte úzký kartáč na láhve s pružnou rukojetí (nepoužívejte mosazný drátěný kartáč) a několikrát jej protáhněte každým hořákem.

**(C)** Používejte ochranné brýle: Použijte vzduchovou hadici, abyste vehnali vzduch do trubice hořáku a skrz otvory hořáku. Zkontrolujte každý otvor a ujistěte se, že z každého vychází vzduch.

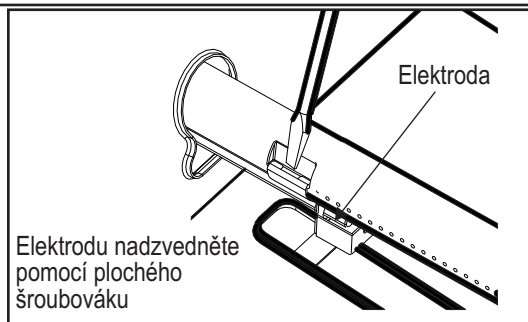
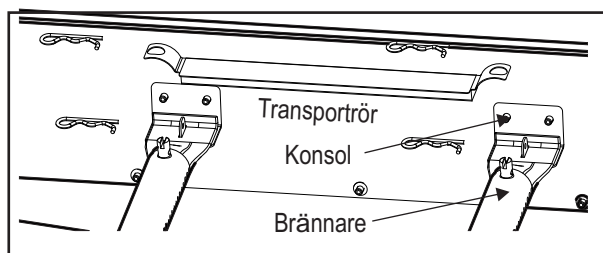
6. Drátěným kartáčem očistěte celý vnější povrch hořáku, abyste odstranili zbytky jídla a nečistoty.
7. Vyčistěte všechny zanesené otvory pomocí pevného drátku, například otevřenou kancelářskou sponkou.
8. Zkontrolujte, zda nedošlo k poškození hořáku. V důsledku běžného opotřebení nebo koroze může dojít ke zvětšení některých otvorů. Pokud naleznete velká poškození nebo otvory, hořák vyměňte.

**VELMI DŮLEŽITÉ: Trubice hořáku musí být znovu nasazeny na otvory ventilů. Viz obrázek.**

**Správné nasazení hořáku na ventil**



9. Připojte elektrodu k hořáku.
10. Hořáky opatrně nasadte.
11. Připojte hořáky na svorky topeniště.
12. Umístěte zpět trubky vedení a připojte je k hořákům. Umístěte zpět tlumiče plamene a grilovací mřížky.



## Uskladnění přístroje

- Vyčistěte grilovací mřížky.
- Skladujte na suchém místě.
- Pokud je zásobník s plynem připojen k přístroji, skladujte přístroj venku v dobře větraném prostoru a z dosahu dětí.
- Pokud přístroj skladujete venku, zakryjte jej.
- Přístroj skladujte uvnitř POUZE v případě, že je zásobník s plynem uzavřený, odpojený, vyjmutý ze spotřebiče a uskladněný venku.
- Po vyjmutí spotřebiče ze skladu zkontrolujte možné překážky v hořáku.

## Celkové čištění přístroje

- Přístroj pravidelně čistěte, ideálně po každém použití. Pokud pro čištění povrchů pro vaření používáte kartáč se štětinami, před grilováním se ujistěte, že na žádném povrchu pro vaření nezůstaly uvolněné štětiny. Nedoporučuje se čistit povrchy pro vaření, pokud je přístroj stále ještě horký. Přístroj musí být čistěn minimálně jednou ročně.
- Nezaměňujte hnědý nebo černý nahromaděný tuk a kouř za nátěr. Vnitřek plynového grilu není z výroby ošetřen lakem (**a nikdy by neměl být natřen**). Na vnitřní povrchy poklopu a dno přístroje používejte silný roztok saponátu a vody nebo čisticí prostředek a tvrdý kartáč. Opláchněte a nechte zcela oschnout na vzduchu. **Na lakované povrchy nepoužívejte žíravé čističe pro čištění přístrojů/trub.**
- **Plastové součásti:** Omyjte teplou vodou s mýdlem a vytřete do sucha.
  - Na plastové součásti nepoužívejte žádné silné čisticí prostředky (např. obsahující citrisol), abrazivní čisticí prostředky, odmašťovací prostředky nebo koncentrované čističe. Může dojít k poškození a chybnému fungování těchto součástí.
- **Porcelánové povrchy:** Díky jejich složení podobnému sklu je možné většinu zbytků jídla lehce setřít pomocí roztoku vody s jedlou sodou nebo čističe se speciálním složením. Pro vytrvalé nečistoty používejte brusný čisticí prášek.
- **Lakované povrchy:** Omývejte jemným saponátem nebo neabrazivním čisticím a teplou mýdlovou vodou. Vytřete do sucha měkkou neabrazivní utěrkou.
- **Nerezové povrchy:** Abyste zachovali vysoce kvalitní vzhled vašeho přístroje, omývejte jej po každém použití jemným saponátem a teplou mýdlovou vodou a vytřete jej do sucha měkkým hadříkem. Napečené vrstvy tuku mohou vyžadovat použití brusné umělohmotné čisticí podložky. Abyste se vyvarovali poškození, používejte ji pouze ve směru kartáčovaného povrchu. Na plochy s grafikou nepoužívejte drátěnku ani brusnou utěrku.
- **Povrchy pro vaření:** Pokud používáte po čištění povrchů pro vaření kartáč se štětinami, před grilováním se ujistěte, že na žádném povrchu pro vaření nezůstaly uvolněné štětiny. Nedoporučuje se čistit povrchy pro vaření, pokud je přístroj stále ještě horký.

## INSTALATOR/MONTER

Proszę zostawić egzemplarz niniejszej instrukcji u klienta.

## KLIENT:

Proszę zachować niniejszą instrukcję do wykorzystania w przyszłości

## Pytania:

Jeśli w trakcie montażu albo użytkowania niniejszego urządzenia pojawią się jakiegokolwiek pytania, należy skontaktować się z miejscowym sprzedawcą urządzenia.



## FAZAGROZENIARE



W przypadku pojawienia się zapachu gazu:

1. Odciąć dopływ gazu do urządzenia.
2. Zgasić wszelkie źródła otwartych płomieni.
3. Otworzyć pokrywę.
4. W przypadku utrzymywania się zapachu oddalić się od urządzenia i bezzwłocznie zgłosić ten fakt dostawcy gazu albo straży pożarnej.



## OSTRZEŻENIE



1. Nie przechowywać ani nie używać benzyny ani innych cieczy łatwopalnych w pobliżu tego lub innego urządzenia.
2. Nie należy przechowywać niepodłączonej butli gazowej służącej do użytku w pobliżu tego albo innego urządzenia.



## UWAGA



- Proszę zapoznać się z normami bezpieczeństwa, instrukcją montażu oraz użytkowaniem oraz wskazówkami dotyczącymi utrzymania i konserwacji przed próbą montażu i gotowania, a następnie stosować się do nich.
- Niektóre części mogą mieć ostre krawędzie. Zaleca się noszenie rękawic ochronnych.

### Zapalenie się tłuszczu

- Nie ma możliwości ugaszenia palącego się tłuszczu poprzez zamknięcie pokrywy. Grille są dobrze wentylowane ze względów bezpieczeństwa.
- Do gaszenia zapalonego tłuszczu nie należy używać wody, ponieważ może to doprowadzić do obrażeń ciała. W przypadku zapalenia się tłuszczu, który nie chce zgasnąć należy wyłączyć pokrętkami dopływ gazu do palników i oraz doprowadzenie z butli gazowej.
- W przypadku, gdy urządzenie nie jest czyszczone w sposób regularny, może dojść do zapalenia się tłuszczu, co z kolei może spowodować uszkodzenie wyrobu. W trakcie wstępnego nagrzewania lub zapalenia się resztek jedzenia należy bardzo uważać, aby nie dopuścić do zapalenia się tłuszczu. Aby zapobiec zapalaniu się tłuszczu należy stosować się do instrukcji dotyczących ogólnego czyszczenia urządzenia oraz czyszczenia palników.
- Najlepszym sposobem zapobiegania zapalaniu się tłuszczu jest regularne czyszczenie urządzenia.

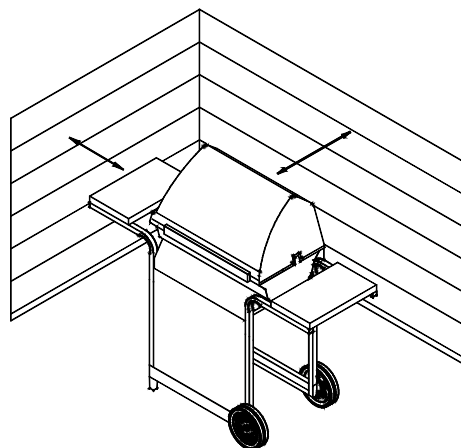


## OSTRZEŻENIE



W celu zapewnienia bezpieczeństwa użytkownika urządzenia oraz uniknięcia poważnych obrażeń:

- **URZĄDZENIE NALEŻY UŻYTKOWAĆ WYŁĄCZNIE NA OTWARTEJ PRZESTRZENI. NIGDY NIE NALEŻY KORZYSTAĆ Z URZĄDZENIA W POMIĘSZCZENIACH ZAMKNIĘTYCH.**
- Przed użytkowaniem urządzenia należy zapoznać się z instrukcjami. Należy zawsze stosować się do tych instrukcji.
- W trakcie użytkowania urządzenia nie należy przemieszczać.
- Elementy dostępne mogą być bardzo gorące. Dzieci należy trzymać z dala od urządzenia. Nie należy dopuszczać do eksploatacji urządzenia przez dzieci, ani do tego, by dzieci bawiły się w pobliżu urządzenia.
- Po zakończeniu użytkowania należy wyłączyć dopływ gazu.
- W trakcie użytkowania urządzenie musi znajdować się z dala od materiałów łatwopalnych.
- Nie należy zatykać otworów znajdujących się w bocznej albo tylnej części urządzenia.
- Należy regularnie sprawdzać płomienie palników.
- Nie należy blokować otworów Venturiego na palnikach.
- Urządzenie należy użytkować wyłącznie w dobrze wentylowanych miejscach. NIGDY nie należy go użytkować w zamkniętych pomieszczeniach takich jak: wiaty garażowych, garażach, na gankach, zamkniętych patio lub w dowolnych budowlach zadaszonych.
- Nie należy stosować węgla drzewnego ani brykietów ceramicznych w urządzeniu gazowym.
- **NIE NALEŻY** zakrywać rusztów folią aluminiową ani żadnym innym materiałem. Zablokuje to wentylację palnika i doprowadzi do powstania potencjalnie niebezpiecznych warunków mogących skutkować zniszczeniem mienia i/lub doznaniem uszczerbku na zdrowiu.
- **Urządzenie należy użytkować w odległości przynajmniej 1 m od dowolnej ściany lub powierzchni.** Należy zachować odstęp przynajmniej 3 m od przedmiotów, które mogą się zapalić albo od źródeł zapłonu takich jak płomyki dyżurne kotłów ogrzewania wody, podłączonych do zasilania urządzeń elektrycznych, itp.



- NIGDY nie należy próbować zapalać palnika przy zamkniętej pokrywie. Nagromadzenie niezapalonego gazu wewnątrz zamkniętego urządzenia stanowi zagrożenie.
- Należy zawsze zakręcać dopływ gazu do butli i odłączać regulator przed przemieszczeniem butli gazowej z określonego miejsca eksploatacji.
- Nigdy nie należy eksploatować urządzenia w przypadku, gdy butla gazowa znajduje się w pozycji innej od podanej pozycji prawidłowej.
- Nie należy modyfikować urządzenia. Przeprowadzanie jakichkolwiek modyfikacji jest bezwzględnie zabronione. Użytkownik nie może manipulować przy elementach uszczelnionych. Nie należy dokonywać demontażu iniektorów.

## Wskazówki bezpieczeństwa

- Przed otwarciem zaworu butli gazowej należy sprawdzić regulator pod kątem szczelności.
- W przypadku, gdy urządzenie nie jest użytkowane, należy zakręcić kurki sterujące oraz dopływ gazu.
- Aby uniknąć oparzeń oraz rozprysków należy korzystać ze sztuczków do obsługi grilla na długim trzonku oraz rękawic ochronnych. Należy korzystać z rękawic ochronnych przy przemieszczaniu gorących elementów.
- Maksymalne obciążenie podgrzewanej podstawki oraz półki bocznej wynosi 4,5 kg. Minimalna średnica naczynia do gotowania wynosi 200 mm, a maksymalna 260 mm.
- Tacka przeznaczona do gromadzenia spływającego tłuszczu (jeśli znajduje się na wyposażeniu) musi być włożona do urządzenia i opróżniana po każdym użyciu. Tacki do tłuszczu nie należy wyjmować do momentu całkowitego schłodzenia urządzenia.
- Szczególną ostrożność należy zachować przy otwieraniu pokrywy, ponieważ może przy tym dojść do uwolnienia gorącej pary.
- Należy zachować szczególną ostrożność, gdy w pobliżu znajdują się dzieci, osoby starsze lub zwierzęta domowe.
- W przypadku zauważenia wycieku tłuszczu lub innej gorącej substancji z urządzenia na zawór, przewód lub regulator należy natychmiast wyłączyć zasilanie w gaz. Należy ustalić przyczynę, skorygować usterkę, wyczyścić oraz przeprowadzić kontrolę zaworu, przewodu i regulatora przed ponowną eksploatacją. Należy przeprowadzić badanie szczelności.
- Otwory wentylacyjne w obudowie butli (wózka, na którym znajduje się urządzenie) muszą być zawsze niezablokowane i wolne od nieczystości.
- Nie należy przechowywać przedmiotów ani materiałów wewnątrz urządzenia, które blokowałyby przepływ powietrza spalania na bok pulpitu sterowniczego albo obudowy naczynia w komorze grzewczej.
- NIE NALEŻY odłączać ani zmieniać zbiornika z gazem w odległości mniejszej niż 3 metry od otwartego płomienia ani innego źródła ognia.

### Umiejscowienie butli

Butla o pojemności do 5 kg może być umiejscowiona na ziemi pod płytą grzewczą lub wewnątrz urządzenia w przeznaczonym do tego miejscu. Większe butle można umieszczać tylko pod płytą grzewczą. Butle umieszczone w urządzeniu będą miały maksymalną średnicę 305 mm i maksymalną wysokość 400 mm.

### Wymogi dotyczące regulatora

W tym urządzeniu należy korzystać z regulatora. Należy używać wyłącznie regulatora gazowego dostarczonego wraz z grillem. Jeśli regulator nie jest dostarczony, należy wówczas korzystać wyłącznie z regulatora atestowanego zgodnie z EN12864 lub EN16129 (Maksymalny przepływ 1,5 kg/h) i zatwierdzonego w danym kraju oraz gazu podanego w specyfikacji danych technicznych.

### Wymogi dotyczące przewodu

Należy korzystać wyłącznie z zatwierdzonego przewodu, który posiada certyfikat zgodnie z odpowiednią normą EN, a jego długość nie przekracza 1,5 m długości. W przypadku Finlandii długość przewodu nie może przekraczać 1,2m.

Przed każdym użyciem należy sprawdzić, czy przewody nie są przecięte ani zużyte. Należy się upewnić, czy przewód nie jest skręcony. Należy sprawdzić, czy przy podłączeniu przewód nie dotyka żadnej ciepłej powierzchni. Przed użyciem urządzenia należy wymienić uszkodzone przewody. Przewody należy wymienić zgodnie z wymogami przepisów krajowych.

## Elektroda zapłonowa

- **Nie należy opierać się o urządzenie w trakcie zapalania.**
  1. Przekręcić zawory bezpieczeństwa palników gazowych ○.
  2. ODKRĘCIĆ dopływ gazu z butli.
  3. **W trakcie zapalania należy otworzyć pokrywę.**
  4. Aby rozpałić urządzenie, należy przekręcić zapłonu pokrętło palnika na pozycję ➤.
  5. Należy wcisnąć i przytrzymać przycisk **ZAPŁONU ELEKTRONICZNEGO**.
  6. Jeśli do zapłonu NIE dojdzie w ciągu 5 sekund, należy przekręcić sterowniki palnika ○, odczekać 5 minut i powtórzyć proces zapalania.
  7. Celem zapalenia pozostałych palników należy powtórzyć czynności 4 i 5. Jeśli zapalnik nie będzie działał, należy posłużyć się instrukcją rozpalania przy pomocy zapalki.



### Zapalanie przy pomocy zapalki

- **Nie należy opierać się o urządzenie w trakcie zapalania.**
  1. **Otworzyć pokrywę.** Odkręcić dopływ gazu z butli.
  2. Zapalkę należy umieścić w uchwycie, zapalić zapalkę i umieścić ją obok palników. (Uchwyt może znajdować się po stronie lewej lub prawej).
  3. Wcisnąć i przekręcić pokrętło palnika w celu jego zapalenia. ⚡ Sprawdzić, czy palnik się zapalił i czy ogień się utrzymuje.
  4. Przyległe palniki należy zapalać po kolei poprzez przycisnięcie pokręteł i obrócenie ich do pozycji ⚡.

### Zapalanie zapalnika płyty grzewczej

- **Nie należy opierać się o urządzenie w trakcie zapalania.**
  1. **Otworzyć pokrywę płyty grzewczej.** Odkręcić dopływ gazu z butli.
  2. Przekręcić pokrętło płyty grzewczej ⚡, wcisnąć i przytrzymać przycisk ZAPŁONU ELEKTRONICZNEGO.
  3. Jeśli płyta grzewcza NIE zapali się, należy przekręcić pokrętło ○, odczekać 5 minut, a następnie powtórzyć procedurę zapalania.

### Zapalanie płyty grzewczej zapalką

1. **Otworzyć pokrywę płyty grzewczej.** Odkręcić dopływ gazu z butli.
2. Umieścić zapaloną zapalkę w pobliżu palnika.
3. Należy przekręcić pokrętło płyty grzewczej i upewnić się, że palnik jest zapalony, a płomień utrzymuje się ⚡.



## Badanie szczelności zaworów, przewodu i regulatora

Test szczelności należy przeprowadzać przynajmniej raz w roku oraz po każdej zmianie lub odłączeniu butli.

1. Przekręcić wszystkie pokręta sterowania urządzeniem O.
2. Sprawdzić, czy regulator jest szczelnie połączony z butlą gazową.
3. Odkręcić dopływ gazu. W przypadku usłyszenia odgłosów syku bezzwłocznie zakręcić gaz. W połączeniu występuje duża nieszczelność. **Usunąć usterkę przed ponownym przystąpieniem do czynności.**
4. Należy wetrzeć mydliny (roztwór utworzony z mydła i wody w proporcji 50:50) w połączenia z przewodem i miejsca zaznaczone poniżej.
5. Jeśli pojawi się rosnąca bańka oznacza to występowanie nieszczelności. Należy natychmiast odłączyć butlę i sprawdzić szczelność połączeń. W przypadku, gdy nie da się zatamować nieszczelności nie należy podejmować próby jej naprawienia. Należy zapewnić wymianę części.
6. Po przeprowadzeniu badania szczelności należy zawsze wyłączyć dopływ gazu z butli.

## JEŚLI URZĄDZENIE NIE ZAPALI SIĘ

Należy upewnić się, czy dopływ gazu w butli jest włączony. Należy sprawdzić, czy w butli znajduje się gaz.

Czy zapłon wydaje dźwięk iskrzenia?

Jeśli tak, należy sprawdzić iskrę w palniku.

Jeśli nie ma iskry, należy sprawdzić, czy nie ma uszkodzonych czy poluzowanych przewodów.

Jeśli przewody są w porządku, należy sprawdzić elektrody pod kątem pęknięć lub złamań i, w razie potrzeby, wymienić je.

Jeśli przewód lub elektrody pokryte są pozostałościami jedzenia, czubek elektrody należy wyczyścić szmatką nasączoną alkoholem, jeżeli wystąpiła taka potrzeba.


W razie potrzeby należy wymienić przewody.

W przypadku braku dźwięku, należy sprawdzić baterię.


Należy sprawdzić, czy bateria jest poprawnie podłączona.

Należy sprawdzić, czy połączenie przewodami nie poluzowało się i włączyć.

Jeśli zapłon nadal nie będzie działał, należy wówczas użyć zapalki.




**UWAGA**



**OSTRZEŻENIE  
PRZED PAJĄKAMI!**

**PAJĄKI I PAJĘCZYNY  
WEWNĄTRZ PALNIKA**



W przypadku, gdy zapalenie płomienia jest utrudnione lub jeśli płomień jest słaby należy wyczyścić otwory Venturiego i palniki.

Znane są przypadki, gdy problemy związane z „cofaniem się płomienia” spowodowane były przez gniazda i jaja składane przez pająki oraz niewielkie owady w otworach Venturiego oraz palnika, powodując blokadę przepływu gazu. Nagromadzony gaz może spowodować zapłon za pulpitem sterowniczym. „Cofanie się płomienia” tego typu może prowadzić do uszkodzenia grilla i spowodować obrażenia. Aby uniknąć „cofania się płomienia” oraz w celu zapewnienia prawidłowego działania, należy zdjąć zespół palnika i przewodu Venturiego i przeczyszczyć je za każdym razem po dłuższym okresie przestoju urządzenia.

## DANE TECHNICZNE

CHAR-BROIL, LLC

CHAR-BROIL, LLC				
Nazwa urządzenia	Grill gazowy			
Razem nominalnie	14kW (1 018g/h)			
Kategoria gazu	I3+(28-30/37)	I3B/P(30)	I3B/P(50)	
Nr modelu	468201115			468101115
Typ gazu	Butan	Propan	Butan, propan lub ich mieszanka	Butan, propan lub ich mieszanka
Ciśnienie gazu	28-30 mbar	37 mbar	28-30 mbar	50 mbar
Rozmiar iniektora (średnica mm)	Grill: 0,91 x 4 sztuki		Grill: 0,91 x 4 sztuki	Grill: 0,81 x 4 sztuki
	Płyta grzewcza: 0,75		Płyta grzewcza: 0,75	Płyta grzewcza: 0,64
Kraje docelowe	GB, FR, IE, BE, ES, IT, PT, CZ		DK, NO, NL, SE, FI, RO, IS, CZ, IT	AT, DE, SK, CH, LU

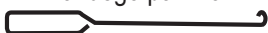


## Czyszczenie zespołu palnika

Prosimy o zapoznanie się z niniejszą instrukcją celem przeprowadzenia czyszczenia oraz wymiany części zespołu palnika lub w przypadku problemów z zapaleniem urządzenia.

1. Wyłączyć dopływ gazu z pokręteł sterujących i butli.
2. Zdjąć ruszty, stabilizatory płomienia (flame tamers), przewody i palniki.
3. Odłączyć elektrodę od palnika.
4. Ostrożnie unieść każdy palnik i usunąć z otworów zaworu.
5. Sugerujemy trzy metody czyszczenia przewodów palnika. Prosimy skorzystać z tej, która wyda się najprostsza.

(A) Zgiąć sztywny drut (dobrze sprawdza się w tym przypadku lekki wieszak na ubrania) w mały haczyk. Przesunąć ten haczyk kilkanaście razy przez przewód każdego palnika.



(B) Użyć wąskiej szczotki do butelek z giętą rączką (nie używać szczotek z drutu miedzianego), kilkakrotnie przesunąć szczotkę po każdym z palników.

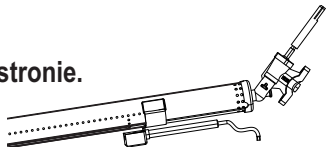
(C) Należy założyć środki ochrony oczu: Korzystać z przewodu doprowadzenia powietrza, aby wtłoczyć powietrze do przewodu palnika i przedmuchać końcówki palnika. Sprawdzić każdą końcówkę, aby upewnić się, czy z każdego otworu wydostaje się powietrze.

6. Szczotką drucianą należy wyszczotkować całą zewnętrzną powierzchnię palnika, aby usunąć pozostałości jedzenia i brud.
7. Przeczyścić każdą zapchaną końcówkę sztywnym drutem np. rozwiniętym spinaczem do papieru.
8. Sprawdzić palnik pod kątem uszkodzeń, z uwagi na normalne zużycie eksploatacyjne i korozję niektóre otwory mogą ulec powiększeniu. W przypadku stwierdzenia dużych pęknięć lub dziur palnik należy wymienić.

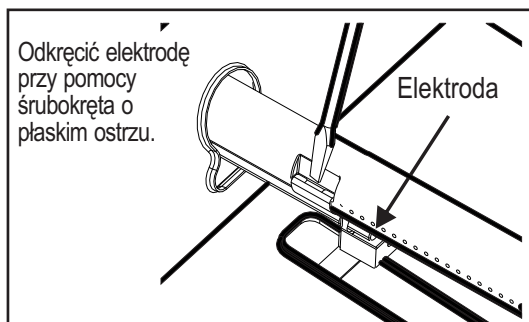
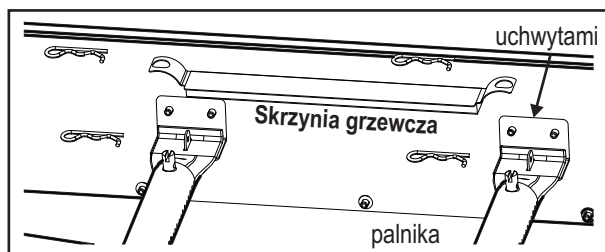
**BARDZO WAŻNE: Przewody palnika muszą ponownie połączyć się z otworami zaworów.**

Por. ilustracja po prawej stronie.

**Poprawne połączenie palnika z zaworem**



9. Należy podłączyć elektrodę do palnika
10. Należy ostrożnie wymienić palniki.
11. Należy połączyć palniki w uchwytami na skrzyni grzewczej.
12. Ponownie zamocować przewody doprowadzające i podłączyć je do palników. Nałożyć stabilizatory płomienia oraz ruszty.



## Przechowywanie urządzenia

- Należy wyczyścić ruszty.
- Należy przechowywać w suchym miejscu.
- Po podłączeniu butli gazowej do urządzenia, przechowywać na zewnątrz, w miejscu dobrze wentylowanym oraz poza zasięgiem dzieci.
- W przypadku przechowywania na zewnątrz zakryć urządzenie.
- Przechowywać urządzenie w miejscu zamkniętym **WYŁĄCZNIE** jeśli butla z gazem jest zakręcona i odłączona, zdjęta z urządzenia i przechowywana na zewnątrz.
- Po usunięciu urządzenia z miejsca przechowywania sprawdzić je pod kątem blokady palników.

## Ogólne czyszczenie urządzenia

- Urządzenie należy czyścić często, najlepiej po każdym gotowaniu. W przypadku, gdy do czyszczenia jakichkolwiek powierzchni służących w urządzeniu do gotowania używa się szczotki z włosiem należy sprawdzić, by na powierzchni do gotowania przed grillowaniem nie znajdowały się pozostałości włosia. Nie zaleca się czyszczenia powierzchni przeznaczonych do gotowania, gdy urządzenie jest gorące. Urządzenie należy czyścić przynajmniej raz w roku.
- Nie należy pomylić czarnego lub brązowego nagromadzonego tłuszczu albo dymu z farbą. Wnętra grilli gazowych nie są malowane fabrycznie (**i nie należy ich malować**). Należy użyć mocnego roztworu detergentu i wody albo środka do czyszczenia urządzenia i szczotki do szorowania do wyszorowania wewnętrznych części pokrywy i dna urządzenia. Należy spłukać i zostawić do pełnego wyschnięcia na powietrzu. **Nie należy stosować żrących środków do czyszczenia urządzenia/ pieca na malowanych powierzchniach.**
- **Części z tworzyw sztucznych:** Należy wymyć wodą z mydłem i wytrzeć do sucha.
- Nie należy stosować kwasu cytrynowego (citrosol), żrących środków czyszczących, środków do odłuszczenia albo stężonych środków do czyszczenia urządzenia na elementach z tworzyw sztucznych. Może to doprowadzić do uszkodzeń i usterek elementów.
- **Powierzchnie porcelanowe:** Z uwagi na skład podobny do szła, większość pozostałości można z nich zmyć roztworem sody i wody lub środkiem czyszczącym o specjalnym składzie. W przypadku plam szczególnie trudnych do usunięcia, należy zastosować środek do szorowania, który nie ma właściwości rysujących.
- **Powierzchnie malowane:** Zmyć delikatnym detergentem albo środkiem czyszczącym nieposiadającym właściwości rysujących oraz ciepłą wodą z mydłem. Wytrzeć do sucha suchą, nierysującą szmatką.
- **Powierzchnie ze stali nierdzewnej:** Celem utrzymania ładnego wyglądu swojego urządzenia należy myć je łagodnym detergentem oraz ciepłą wodą z mydłem i wycierać do sucha po każdym użyciu. Złogi zapieczonego tłuszczu mogą wymagać użycia gąbki do czyszczenia z powierzchnią do szorowania z tworzywa sztucznego. Należy stosować w kierunku wypolerowanego wykończenia, aby uniknąć uszkodzenia. Nie należy używać wykałaczki szorstkiej gąbki w miejscach, w których są napisy.
- **Powierzchnie do gotowania:** W przypadku, gdy do czyszczenia jakichkolwiek powierzchni służących w urządzeniu do gotowania używa się szczotki z włosiem należy sprawdzić, by na powierzchni do gotowania przed grillowaniem nie znajdowały się pozostałości włosia. Nie zaleca się czyszczenia powierzchni przeznaczonych do gotowania, gdy urządzenie jest gorące.

## מתקין/מרכיב:

השאר מדריך זה בידי הצרכן.

## צרכן:

שמור מדריך זה לעיון בעתיד.

## שאלות:

אם מתעוררות שאלות במהלך ההרכבה או השימוש במכשיר זה, צור קשר עם המפיץ המקומי.

## אזהרה

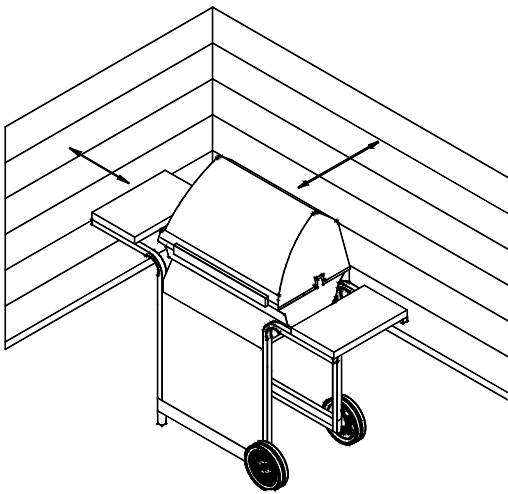
### לשימוש בטוח במכשיר ולמינעת פציעה

#### חמורה:

הפעל מחוץ למבנה בלבד. לעולם על תפעיל בתוך מבנה.

קרא את ההוראות טרם השימוש במכשיר. הקפד תמיד על מילוי הוראות אלו.

- אין להזיז את המכשיר במהלך ההפעלה.
- החלקים הנגישים עלולים להיות לוהטים מחום.
- הרחק ילדים צעירים מהמכשיר. אל תאפשר לילדים להפעיל את המכשיר או לשחק בקרבתו.
- לאחר השימוש, סגור את ברו אספקת הגז של המכל. יש להרחיק מכשיר זה מחומרים דליקים במהלך השימוש.
- אין לחסום את הפתחים שבצדי המכשיר או בחלקו האחורי.
- בדוק באופן שוטף את להבות המבער.
- אין לחסום את פתחי ונטורי במבער.
- הפעל את המכשיר רק במקום מאוורר היטב. לעולם אל תפעיל את המכשיר במקום סגור, כגון סככת רכב, מוסך, פטיו מקורה או מתחת למבנה עילי מסוג כלשהו.
- אל תשתמש בפחם או בלבנים קרמיות במכשיר גז.
- אל תכסה את משטחי הצלייה ברדיד אלומיניום או בכל חומר אחר. הדבר חוסם את זרימת האוויר למבער באופן מסוכן העלול לגרום נזק לרכוש ו/או לפציעה.
- **השתמש במכשיר במרחק לפחות 1 מ' מקיר או ממשטח כלשהו.** שמור על מרווח של 3 מ' מעצמים שעלולים להתלקח או ממקורות הצתה כגון להבות 'שָׁמֵשׁ' במחממי מים, מכשירי חשמל תחת מתח ועוד.



- לעולם אל תנסה להדליק את המבער כשהמכסה סגור. הצטברות של גז שלא ניצת בתוך מכשיר סגור, מסוכנת.
- הקפד תמיד לסגור את ברו מכל הגז ולנתק את הווסת לפני העברת מכל הגז ממקום השימוש המיועד שלו.
- לעולם אל תפעיל את המכשיר באמצעות מכל גז שלא נמצא במיקום תקני.
- אל תבצע שינויים או התאמות במכשיר. חל איסור מפורש על שינויים או התאמות. אסור למשתמש להתעסק בחלקים אטומים. אין לפרק את המזרקים.

## סכנה

אם אתה מריח גז:

1. סגור את אספקת הגז למכשיר.
2. כבה את כל הלהבות.
3. פתח את המכסה.
4. אם עדיין יש ריח, התרחק מהמכשיר והזעק מיידי את ספק הגז או מכבי האש.

## אזהרה

1. אין לאחסן בנזין או להשתמש בו וכן אין להשתמש בנזולים דליקים אחרים בקרבת מכשיר זה או כל מכשיר אחר.
2. אין לאחסן מכל גז לא מחובר לשימוש בקרבת מכשיר זה או כל מכשיר אחר.

## זהירות

- לפני הרכבת המכשיר וביצוע צלייה, קרא את כל משפטי הבטיחות, הוראות ההרכבה והנחיות השימוש והטיפול ופעל על פיהם.
- חלקים מסוימים עשויים להכיל קצוות חדים. מומלץ ללבוש כפפות מגן.

### דליקות שומן

- לא ניתן לכבות דליקות של שומן על-ידי סגירת המכסה. מסיבות בטיחות, במכשירי הגריל קיימת זרימת אוויר חופשית.
- אין לכבות דליקות שומן באמצעות מים, הדבר עלול לגרום לפציעה. במקרה של התלקחות שומן עיקשת במיוחד, סגור את ידיות הבקרה ואת מכל הגז.
- אם לא מנקים את המכשיר באופן יסודי, השומן עלול להתלקח ולגרום נזק למכשיר. הקפד במיוחד בעת חימום מקדים או שריפה של שיירי מזון, כדי להבטיח שהשומן אינו יתלקח. מלא את ההוראות שבסעיפים 'ניקוי כללי של המכשיר' ו'ניקוי מכלול המבער' כדי למנוע התלקחות של שומן.
- הדרך הטובה ביותר למנוע התלקחות שומן היא ניקוי המכשיר באופן שוטף.

## עצות לבטיחות

- לפני פתיחת הברז של מכל הגז, ודא את אטימות הווסת.
- כשהמכשיר אינו בשימוש, סגור את כל ידיות הבקרה ואת אספקת הגז.
- השתמש בכלי גריל ארוכים ובכפפות תנור כדי למנוע כוויות ולהתגונן מהתזות. לבש כפפות מגן בעת טיפול בחלקים חמים.
- העומס המרבי של פלטת החימום והמדף הצדי הוא 4.5 ק"ג. הקוטר המינימלי של כלי הצליה הוא 200 מ"מ וקוטרו המרבי 260 מ"מ.
- חובה להכניס את מגש השומן (אם קיים) למכשיר ולרוקן אותו אחרי כל שימוש. אין להוציא את מגש השומן לפני שהמכשיר התקרר לחלוטין.
- נהג בזהירות מרבית בעת פתיחת המכסה מחשש לפליטת גל חום לוחט.
- נהג בזהירות מרבית בעת נוכחות ילדים, קשישים או חיות-מחמד בקרבת המכשיר.
- במקרה שתבחין בשומן או בחומר לוחט אחר מטפטף מהמכשיר על הברז, הצינור או הווסת, סגור מייד את אספקת הגז. אתר את הסיבה, הסר אותה, נקה את הברז, הצינור או הווסת ובדוק אותם לפני שתמשיך. בצע בדיקת דליפות.
- אין לאחסן חפצים או חומרים בתוך החלל הסגור של עגלת המכשיר. הם עלולים לחסום את זרימת האוויר לחלק התחתון של לוח הבקרה או תא האש.
- אל תנתק את מכל הגז ואל תחליף אותו בטווח של 3 מ' מלהבה גלויה או ממקור הצתה אחר.

## הצבת המכל

אין להציב את המכל מתחת למכשיר או בתוכו. יש להציב מכלים לצד המכשיר ומאחוריו. הקוטר המרבי של מכלים יהיה 310 מ"מ וגובהם המרבי יהיה 600 מ"מ.

## דרישות לגבי הווסת

יש להפעיל מכשיר זה עם ווסת גז. השתמש רק בווסת שסופק עם מכשיר הגריל. אם לא סופק ווסת עם המכשיר, השתמש רק בווסת מאושר לפי תקן EN16129 או EN12864 (בעל ספיקה של 1.5 ק"ג/שעה), מאושר בארץ השימוש ובגז מסוג שמופיע בנתונים הטכניים.

## דרישות לגבי צינור הגז

השתמש רק בצינור מאושר לפי תקן EN רלוונטי, באורך שלא יעלה על 1.5 מ'. פינלנד: אורך הצינור לא יעלה על 1.2 מ'. לפני כל שימוש, בדוק שהצינורות אינם חתוכים או בלויים. ודא שהצינורות אינם מפותלים. ודא שהצינור אינו נוגע בשום משטח חם, בזמן שהוא מחובר. החלף צינורות פגומים לפני הפעלת המכשיר. החלף את הצינור כנדרש בתקנות הלאומיות.

## הדלקת המצת

### • אל תישען על המכשיר בזמן ההדלקה.

1. סובב את ברזי מבער הגז למצב  $\odot$ .
2. פתח את ברז הגז במכל.
3. הדלק את המבער כשהמכסה פתוח.
4. כדי להצית את המבער, העבר את ידית הבקרה שלו למצב  $\leftarrow$ .
5. לחץ והחזק את לחצן ההצתה האלקטרונית.
6. אם האש אינה נדלקת תוך 5 שניות, סובב את כפתורי הבקרה של המבער למצב  $\odot$ , המתן 5 דקות וחזור על הליך ההדלקה.
7. להדליק בהדרגה המבערים שכנים דחופים ולהפוך את הכפתור למצב  $\leftarrow$ . אם המצית לא עובד, בצע את השלבים להתאמת מבער הצתה.



## הדלקה באמצעות גפרור

### • אל תישען על המכשיר בזמן ההדלקה.

1. פתח את המכסה. פתח את ברז הגז במכל.
2. שים גפרור במחזיק הגפרורים, הצת גפרור וקרב אותו לפתחי המבער. (מחזיקי הגפרורים יכולים להיות ממוקמים בצד שמאל או בצד ימין).
3. לחץ על ידית המבער וסובב אותה למצב  $\leftarrow$  כדי להדליק את המבער. ודא שהמבער נדלק וממשיך לבעור ברציפות.
4. הצת מבערים סמוכים ברצף, על ידי דחיפת הידיות שלהם וסיבובן למצב  $\leftarrow$ .

## הדלקת מצת פלטת החימום

### • אין להישען על המכשיר בזמן ההדלקה.

1. פתח את מכסה פלטת החימום. פתח את ברז הגז במכל.
2. סובב את הידית של פלטת החימום למצב  $\leftarrow$ , לחץ והחזק את לחצן המצת האלקטרונית.
3. אם פלטת החימום אינה נדלקת, סובב את הידית למצב  $\odot$ . המתן 5 דקות וחזור שוב על הליך ההדלקה.

## הדלקת פלטת החימום באמצעות גפרור

1. פתח את מכסה פלטת החימום. פתח את ברז הגז במכל.
2. קרב גפרור דולק למבער.
3. סובב את ידית פלטת החימום למצב  $\leftarrow$ . ודא שהמבער נדלק וממשיך לבעור ברציפות.



## זהירות



### עכבישים!



**עכבישים וקורי  
עכביש בתוך המבער**

אם יש קושי להדליק את הגריל או הלהבות חלשות, בדוק את צינורות ונטורי והמבערים ונקה אותם.

עכבישים וחרקים קטנים הם גורמים ידועים לבעיה הנקראת 'רתיעת להבה' (flashback באנגלית), עקב הקינים שהם בונים והביצים שהם מטילים בתוך צינורות ונטורי או במבער של הגריל, דבר החוסם את זרימת הגז. הגז החוזר עלול להתלקח מאחורי לוח הבקרה של המכשיר. רתיעת הלהבה עלולה להזיק לגריל ולגרום לפציעה. כדי למנוע רתיעות להבה ולהבטיח שמירה על ביצועים תקינים, יש להסיר את המבער ואת מכלול צינור ונטורי ולנקותם בכל פעם שמשביתים את הגריל לתקופה ממושכת.

## בדיקת דליפות בברזים, בצינור ובווסת הגז

- בצע בדיקת דליפות לפני ההפעלה בפעם הראשונה, לפחות פעם בשנה ובכל החלפה או ניתוק של מכל הגז.
1. סובב את כל ידיעות הבקרה של המכשיר למצב  $\bigcirc$ .
  2. ודא שהווסת מחובר באופן הדוק למכל הגז.
  3. פתח את הגז. אם נשמע רעש חזק, סגור מייד את אספקת הגז. יש דליפה חמורה בחיבור. תקן את התקלה לפני שתמשיך.
  4. מרח תמיסת סבון (תערובת חצי סבון וחצי מים) על חיבורי הצינור.
  5. התפתחות של בועות מעידה על דליפת גז. סגור מייד את ברז הגז במכל ובדוק את אטימות החיבורים. אם לא ניתן להפסיק את הדליפה, אל תנסה לתקן את התקלה. צור קשר לקבלת מידע על חלקי חילוף.
  6. הקפד תמיד לסגור את ברז הגז במכל לאחר ביצוע בדיקת דליפה.

### אם לא ניתן להדליק את המכשיר

וודא שאספקת הגז מופעלת בנקודת החיבור של המכל. וודא שיש גז במכל.

האם נשמעת אוושת ניצוץ במצת?

אם כן, בדוק נוכחות ניצוץ במבער.

אם אין ניצוץ, בדוק אם חוטי החשמל פגומים או משוחררים.

אם חוטי החשמל תקינים, בדוק אם האלקטרודה סדוקה או שבורה, החלף לפי הצורך.

אם חוטי החשמל או האלקטרודות מלוכלכים בשיירי מזון, נקה את קצה האלקטרודה באלכוהול ונגב לפי הצורך.

החלף חוטי חשמל לפי הצורך.

אם לא נשמעת אוושת ניצוץ, בדוק את הסוללה.

ודא שהסוללה מותקנת כהלכה.

בדוק חיבורי חשמל רופפים ביחידת ההצתה ובמתג.

אם המצת אינו פועל על אף כל זאת, השתמש בגפרור.

### נתונים טכניים

Char-Broil, LLC				
גריל-בר-ביזג יוק				רימכשם ה
41 וליקזאט (1 810 מגרשעה)				פוח פוקתת תללה כובנקו
I3B/P(50)	I3B/P(30)	I3+(28 30/37)		זג קטגוריית
511101864	511102864			מגמספר ד
נבוטט, שלהתרובו תען אפרופ	נבוטט, שלהתרובו תען אפרופ	נפארופ	נבוטט	גז סוג
05רבילימ	03רבילימ	03רבילימ	82ע 03 רבילימ	גז החל
גריל: 18.0 x 4 תויחיד	גריל: 19.0 x 4 תויחיד	גריל: 19.0 x 4 תויחיד		רקמז לגוד אב רטקו'מ)
סחימו לטתפ: 46.0	סחימו לטתפ: 57.0	סחימו לטתפ: 57.0		
AT, DE, SK, CH, LU	DK, NO, NL, SE, FI, RO, IS, CZ, IT	GB, FR, IE, BE, ES, IT, PT, CZ		תרצוא יקוד דיע



- נקה את משטחי הצלייה.
- אחסן במקום יבש.
- כשמכל הגז מחובר למכשיר, אחסן מחוץ למבנה במקום מאוורר היטב והרחק מהישג ידם של ילדים.
- כסה את המכשיר במקרה של אחסון מחוץ למבנה.
- אחסן בתוך מבנה רק בתנאי שמכל הגז סגור ומנותק, אינו מחובר למכשיר ומאוחסן מחוץ למבנה.
- בעת הוצאת המכשיר מהאחסון, בדוק אם יש חסימות במבערים.

### ניקוי כללי של המכשיר

- נקה את המכשיר לעתים קרובות, עדיף בסיום כל פיקניק. אם משתמשים במברשת סיבי מתכת, העבר את הצלייה, יש לוודא שלא נותרו זיפים על משטחי הצלייה לפני צלייה של מזון. לא מומלץ לנקות את משטח הצלייה בזמן שהמכשיר חם. יש לנקות את המכשיר לפחות פעם בשנה.
- שם לב, הצטברות שומן שרוף בצבע חום או שחור אינה צבע. החלקים הפנימיים של מכשירי גריל גז אינם נצבעים במפעל היצרן (וגם אסור לצבוע אותם). השתמש בתמיסה מרוכזת של חומר ניקוי עם מים או בחומר ניקוי מיוחד לגריל וקרצף במברשת את החלקים הפנימיים של המכסה והחלק התחתון של המכשיר. שטוף והמתן לייבוש מלא באוויר. אל תשתמש בחומר ניקוי קאוסטי או בחומר לניקוי תנורים במשטחים צבועים.
- שם לב, הצטברות שומן שרוף בצבע חום או שחור אינה צבע. החלקים הפנימיים של מכשירי גריל גז אינם נצבעים במפעל היצרן (וגם אסור לצבוע אותם). השתמש בתמיסה מרוכזת של חומר ניקוי עם מים או בחומר ניקוי מיוחד לגריל וקרצף במברשת את החלקים הפנימיים של המכסה והחלק התחתון של המכשיר. שטוף והמתן לייבוש מלא באוויר. אל תשתמש בחומר ניקוי קאוסטי או בחומר לניקוי תנורים במשטחים צבועים.
- חלקי פלסטיק: נקה במי סבון חמימים ויבש על-ידי ניגוב.
- לניקוי חלקי פלסטיק, אין להשתמש בציטריזול (Citrisol), חומר ניקוי אברזיביים, מסירי שומנים או חומר ניקוי ייעודי מרוכז. הדבר עלול לגרום נזק לחלקים ולשבש את תפקודם.
- משטחי פורצלן: בזכות הדמיון לזכוכית, ניתן להרחיק את רוב השיירים בעזרת תמיסת סודה לשתיה או חומר ניקוי ייעודי. להסרת כתמים עיקשים, השתמש באבקת צחצוח לא אברזיבית.
- משטחים צבועים: נקה בעזרת חומר ניקוי מהול או חומר לא אברזיבי ומי סבון חמימים. יבש על-ידי ניגוב באמצעות מטלית רכה ועדינה.
- משטחי פלדת אל-חלד: כדי לשמור על הגימור האיכותי של המכשיר, לאחר כל שימוש, נקה אותו בחומר ניקוי מהול ומי סבון חמימים ויבש על-ידי ניגוב במטלית רכה. משקעים דבוקים של שומן שרוף עשויים להצריך שימוש ברפידת ניקוי אברזיבית מפלסטיק. כדי למנוע נזק, השתמש ברפידה רק בכיוון קווי המרקם של הגימור המוברש. אין להשתמש ברפידת הניקוי במשטחים מעוטרים בגרפיקה.
- משטחי הצלייה: אם משתמשים במברשת זיפים לניקוי משטחי הצלייה, יש לוודא שלא נותרו זיפים על משטחי הצלייה לפני צלייה של מזון. לא מומלץ לנקות את משטחי הצלייה בזמן שהמכשיר חם.

- פעל לפי הוראות אלו כדי לנקות את מכלול המבער ו/או להחליפו, או במקרה של בעיות בהצתת המכשיר.
- 1. סגור את אספקת הגז בידיות הבקרה ובמכל.
- 2. הסר את משטחי הצלייה, מרסני הלהבות, צינורות העברת הלהבות והמבערים.
- 3. נתק את האלקטרודה מהמבער.
- 4. הרם בזהירות כל אחד מהמבערים והרחק אותו מפתחי הברזים.
- 5. קיימות שלוש שיטות מומלצות לניקוי צינורות המבערים. השתמש בשיטה הנוחה לך ביותר.
- (א) צור וו קטן על ידי כיפוף של תיל קשיח (מתלה חוט מתאים למטרה זו). העבר את הוו מספר פעמים דרך כל אחד מצינורות המבערים.



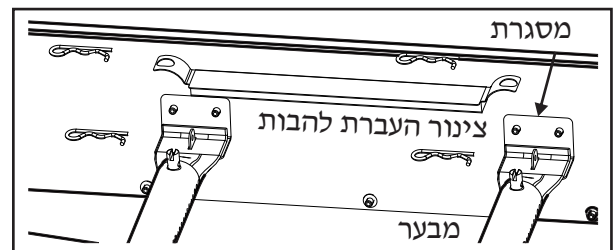
- (ב) השתמש במברשת בקבוקים צרה בעלת ידית גמישה (אל תשתמש במברשת סיבי מתכת), העבר את המברשת מספר פעמים דרך כל אחד מהמבערים.
- (ג) הרכב מגן עיניים: הזרם אוויר דחוס לתוך המבער כך שייפלט מפתחי המבער. בדוק כל אחד מהפתחים וודא שהאוויר יוצא מכל חור.
- 6. נקה את המשטח החיצוני של המבער במברשת סיבי מתכת כדי להרחיק שיירי מזון ולכלוך.
- 7. נקה את הפתחים החסומים באמצעות תיל קשיח, כגון אטב משרדי מיושר.
- 8. בדוק את המבער לגילוי נזק; בלאי ושיתוך בתנאי שימוש רגילים עלולים לגרום להרחבה של חלק מהחורים. אם התגלו סדקים או חורים גדולים, החלף את המבער.

חשוב מאוד: צינורות המבער אמורים להשתלב מחדש בפתחי הברזים. עיין באיור.

### השתלבות תקינה של המבער והברז



- 9. חבר את האלקטרודה למבער.
- 10. החזר בזהירות את המבערים למקומם.
- 11. חבר את המבערים לתא האש.
- 12. מקם מחדש את צינורות העברת הלהבות וחבר את המבערים. החזר את מרסני הלהבות ואת משטחי הצלייה למקומם.



## PARTS LIST

Key	Qty	Description
1	1	TOP LID
2	1	LID HANDLE
3	1	TEMPERATURE GAUGE
4	1	BEZEL, F/ THERMOMETER
5	1	LOGO PLATE
6	2	LID BUMPER, ROUND
7	2	RUBBER BUMPER, ROUND, W/ HARDWARE, F/ TOP LID
8	1	TOP LID HARDWARE
9	1	FIREBOX
10	4	MAIN BURNER
11	1	ELECTRODE, MAIN BURNER
12	3	CARRY OVER TUBE
13	1	CONTROL PANEL, MAIN
14	1	ELECTRONIC IGNITION MODULE
15	1	BUTTON, F/ ELECTRONIC IGNITION MODULE
16	1	VALVE ASSEMBLY
17	1	HEAT SHIELD, F/ IGNITION MODULE
18	1	WARMING RACK
19	4	CONTROL KNOB
20	3	COOKING GRATE
21	4	HEAT TENT
22	1	LEFT CART PANEL
23	1	RIGHT CART PANEL
24	1	BOTTOM SHELF
25	1	FRONT BRACE
26	4	LEG EXTENDER
27	2	CASTER, FIXED
28	2	CASTER, LOCKING
29	2	REAR PANEL
30	1	LEFT DOOR
31	2	HANDLE, DOOR

Key	Qty	Description
32	1	RIGHT DOOR
33	1	RIGHT SIDE SHELF
34	1	HOT PLATE SHELF
35	1	LID, F/ HOT PLATE
36	1	DRIP PAN INSERT
37	2	LID SUPPORT, F/ HOT PLATE
38	1	HOT PLATE MOUNT
39	1	GRATE, F/ HOT PLATE
40	1	HOT PLATE BURNER
41	1	ELECTRODE, F/ HOT PLATE
42	1	IGNITOR WIRE, F/ HOT PLATE
43	1	KNOB, F/ HOT PLATE
44	1	MATCH HOLDER
45	1	GREASE CUP
46	1	GREASE CLIP
47	1	GROMMET, F/ HOSE, SMALL

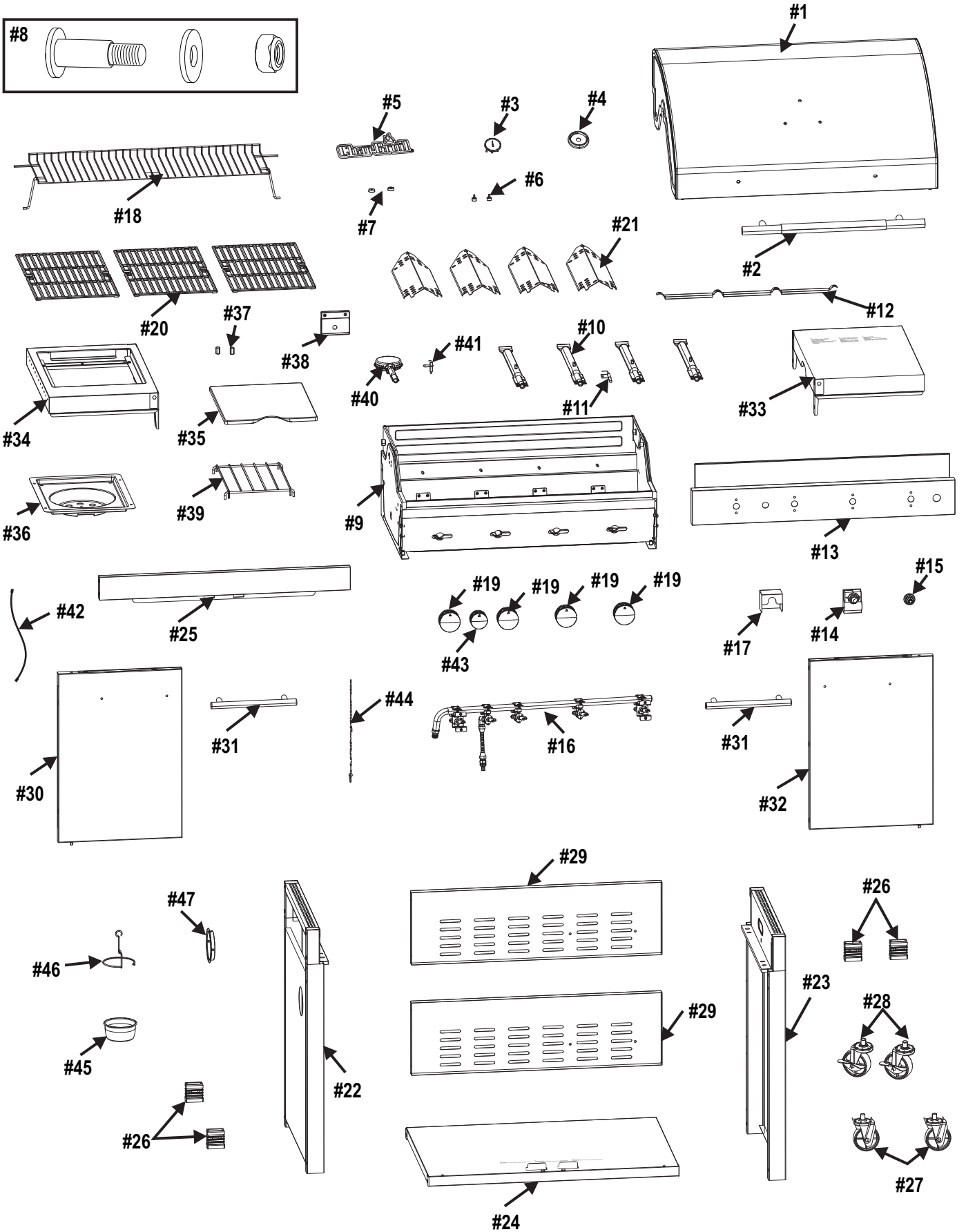
### NOT Pictured

...	1	CASTER PIN
...	1	MAGNET ASSY
...	1	HARDWARE PACK
...	1	ASSEMBLY MANUAL, EUROPEAN
...	1	REGULATOR, (COUNTRY SPECIFIC, IF SUPPLIED)

**NOTE:** Some grill parts shown in the assembly steps may differ slightly in appearance from those on your particular grill model. However, the method of assembly remains the same.

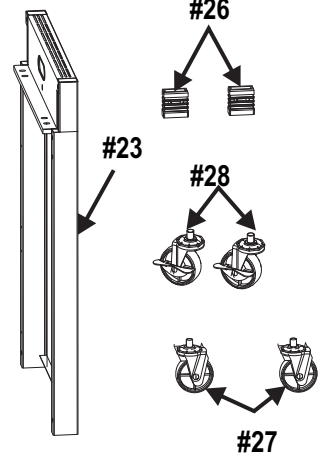
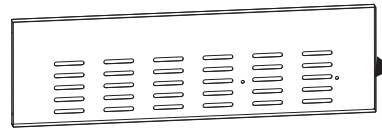
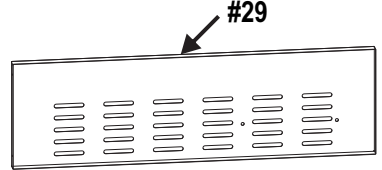
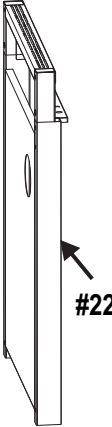
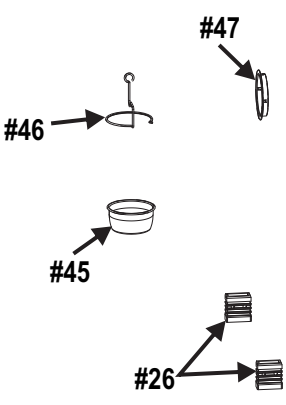
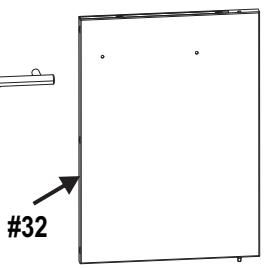
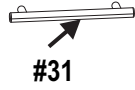
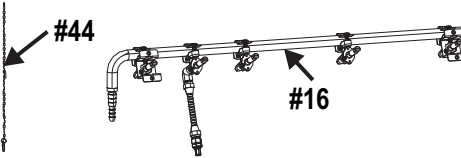
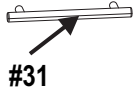
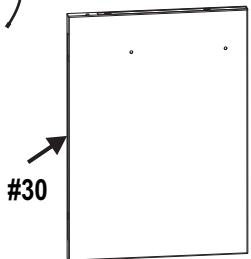
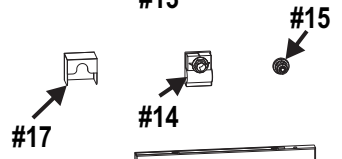
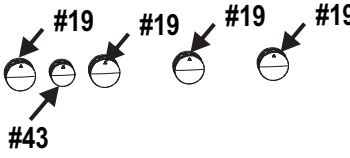
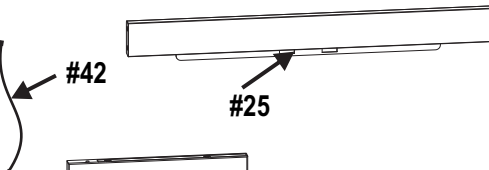
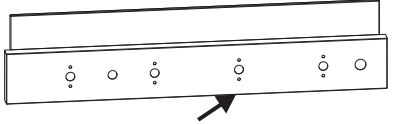
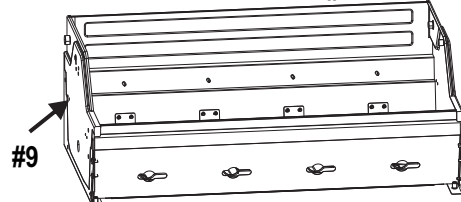
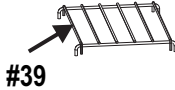
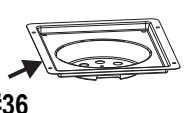
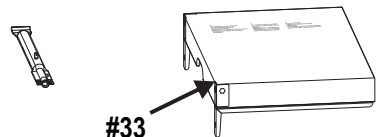
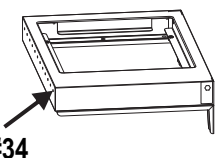
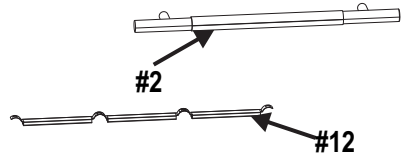
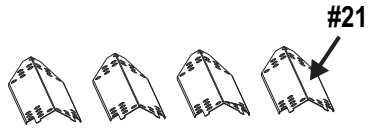
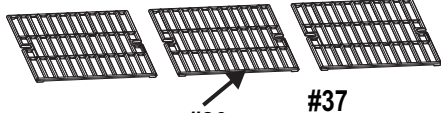
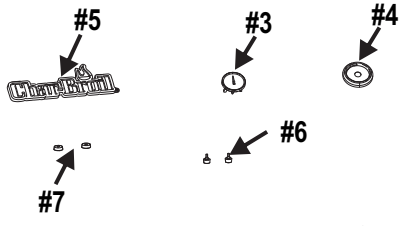
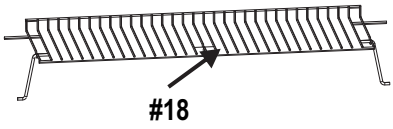
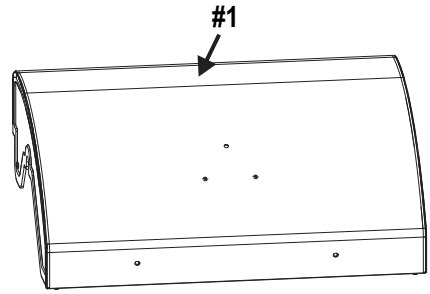
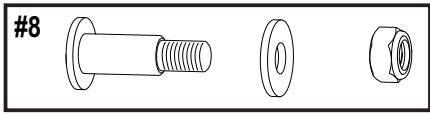
# PARTS DIAGRAM

For Model 468101115



# PARTS DIAGRAM

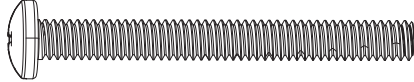
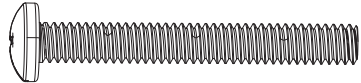
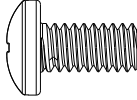
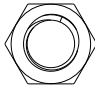
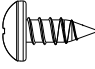
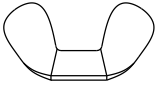
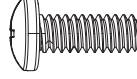
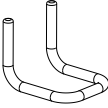
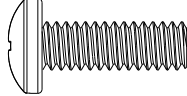
For Model 468201115





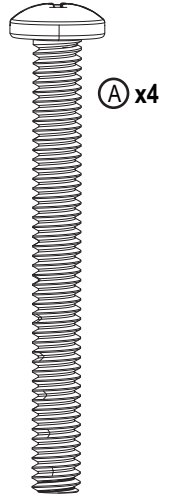
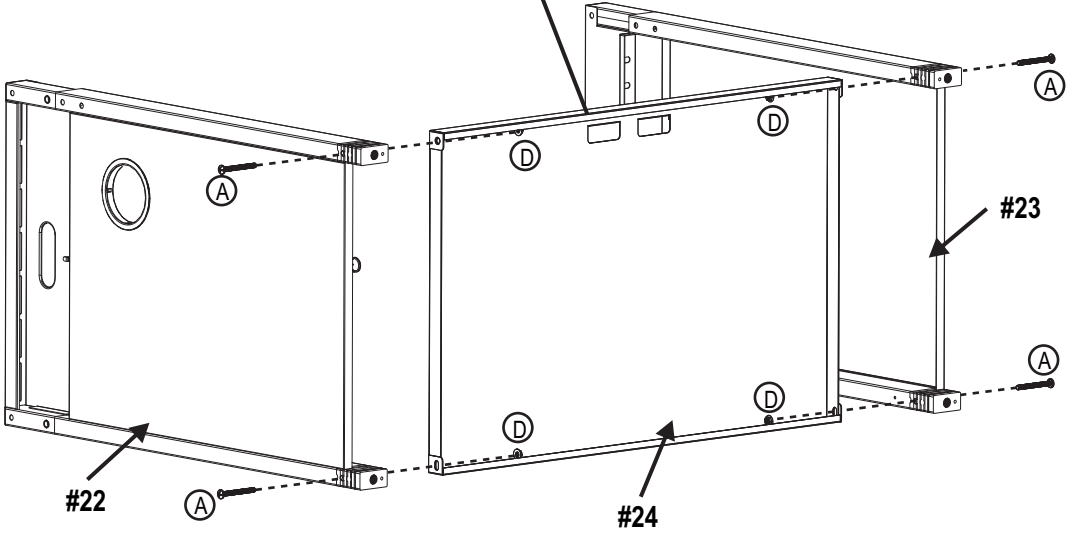
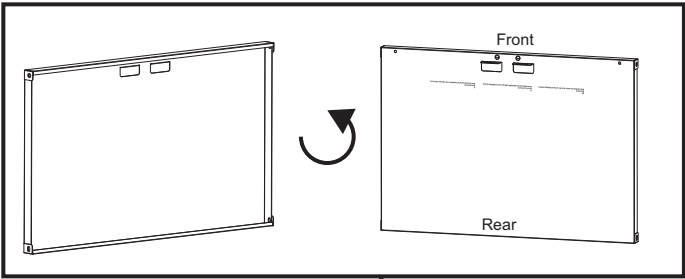
# HARDWARE LIST

Hardware is shown actual size. You may have spare hardware after assembly is complete.

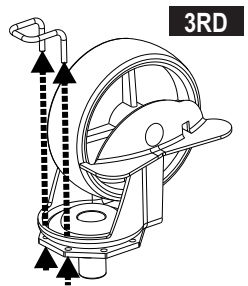
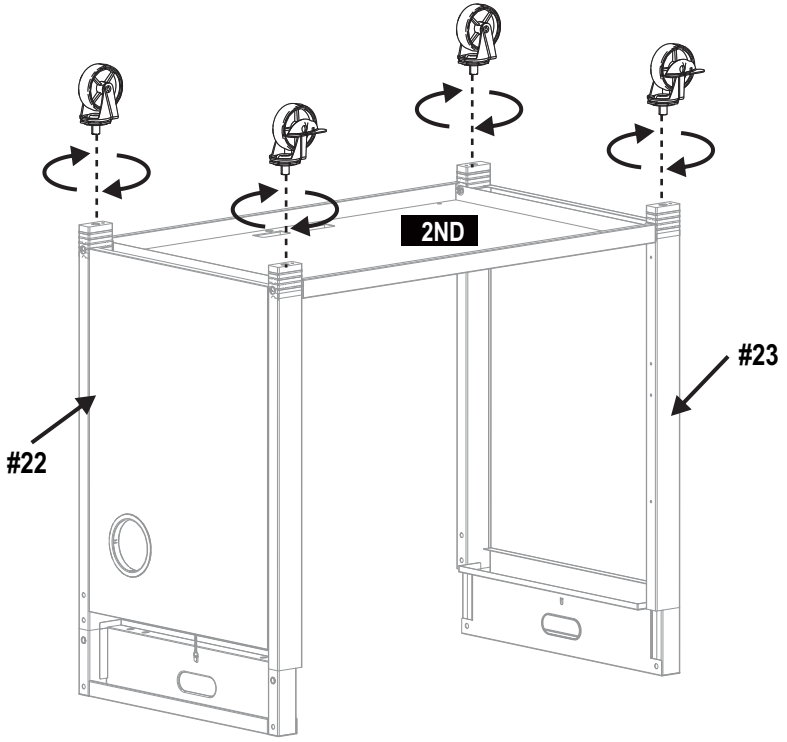
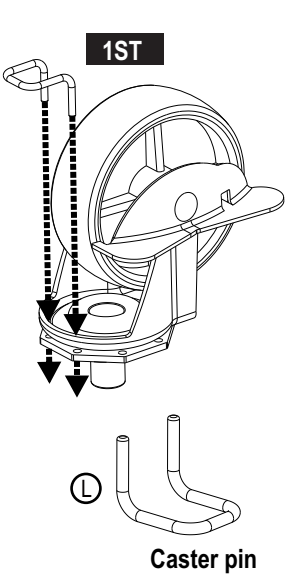
Key	Description	Picture	Qty
A	1/4-20x2-3/8" Screw		8
B	1/4-20x2" Screw		4
C	1/4-20x1/2" Screw		4
D	1/4-20 Nut		4
E	#8-32x3/8" self-tapping Screw		8
F	M4 Wing Nut		1
G	#10-24x1/2" Screw		4
L	Caster Pin		1
M	1/4-20x3/4" Screw		4

**ASSEMBLY**

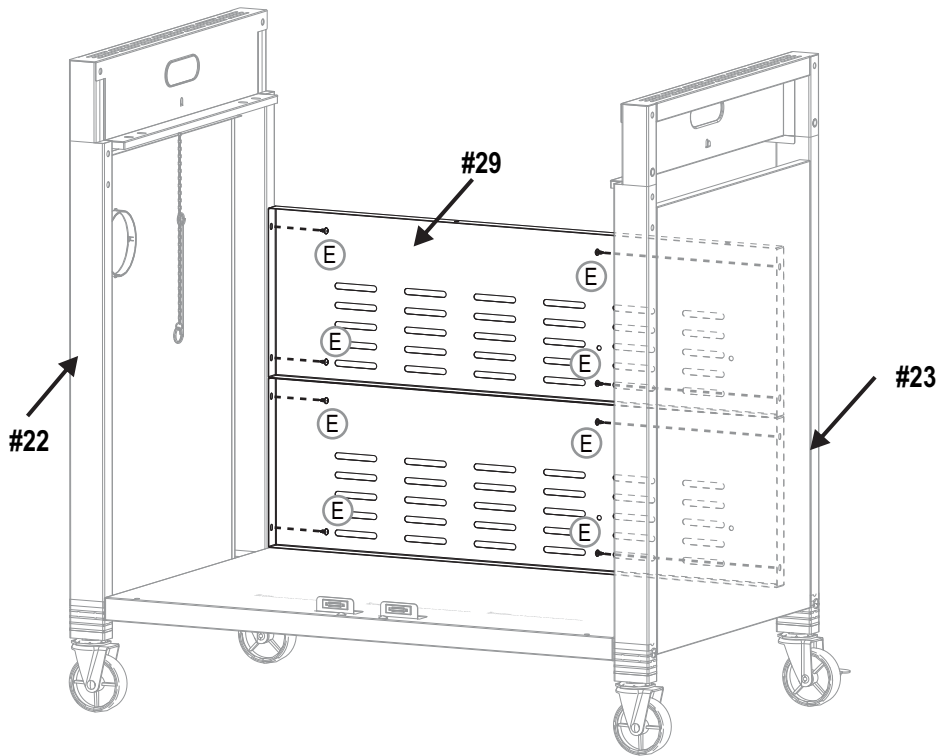
**1**



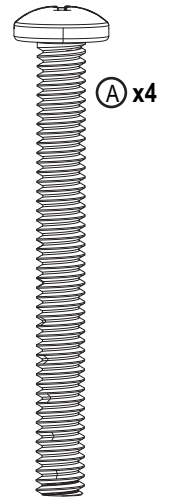
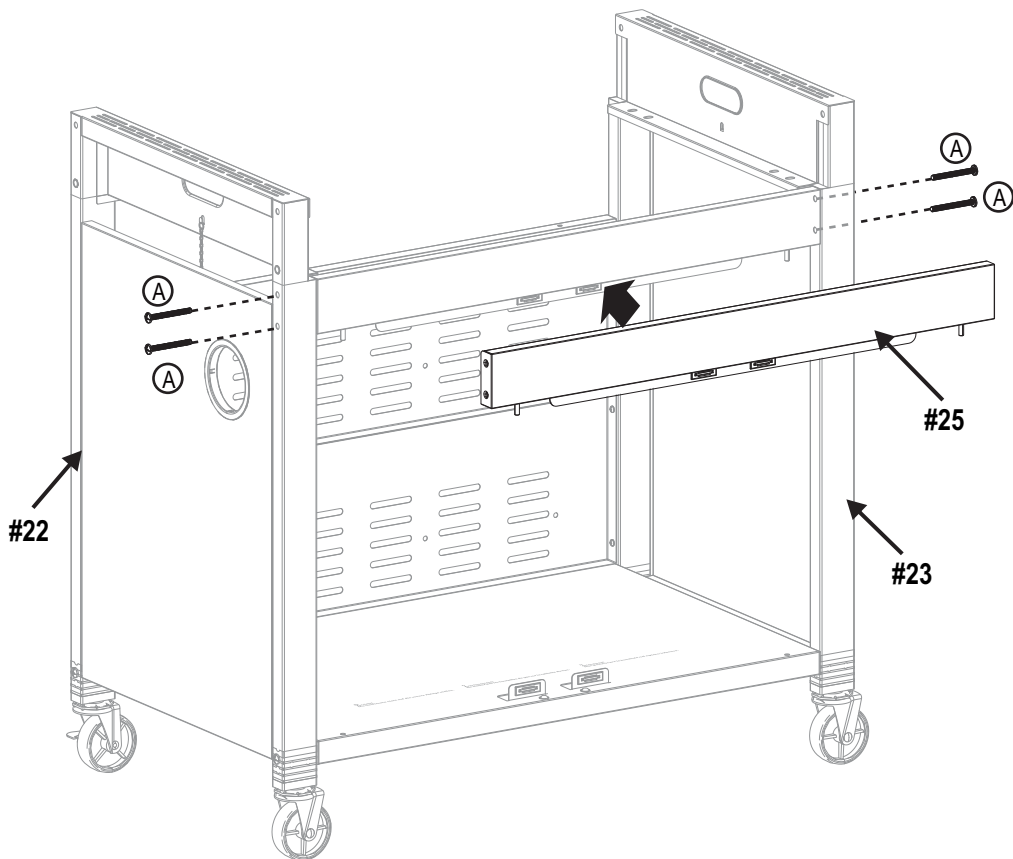
**2**



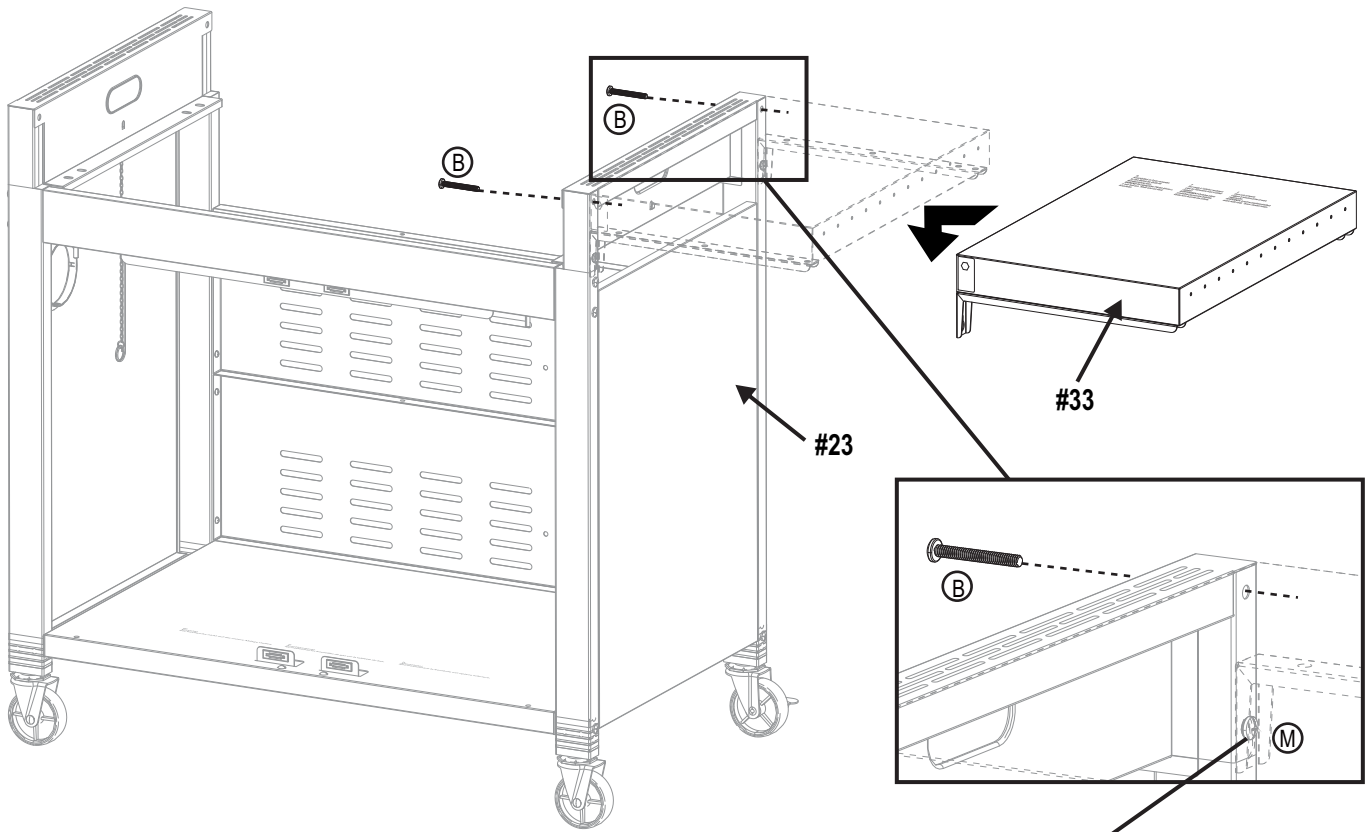
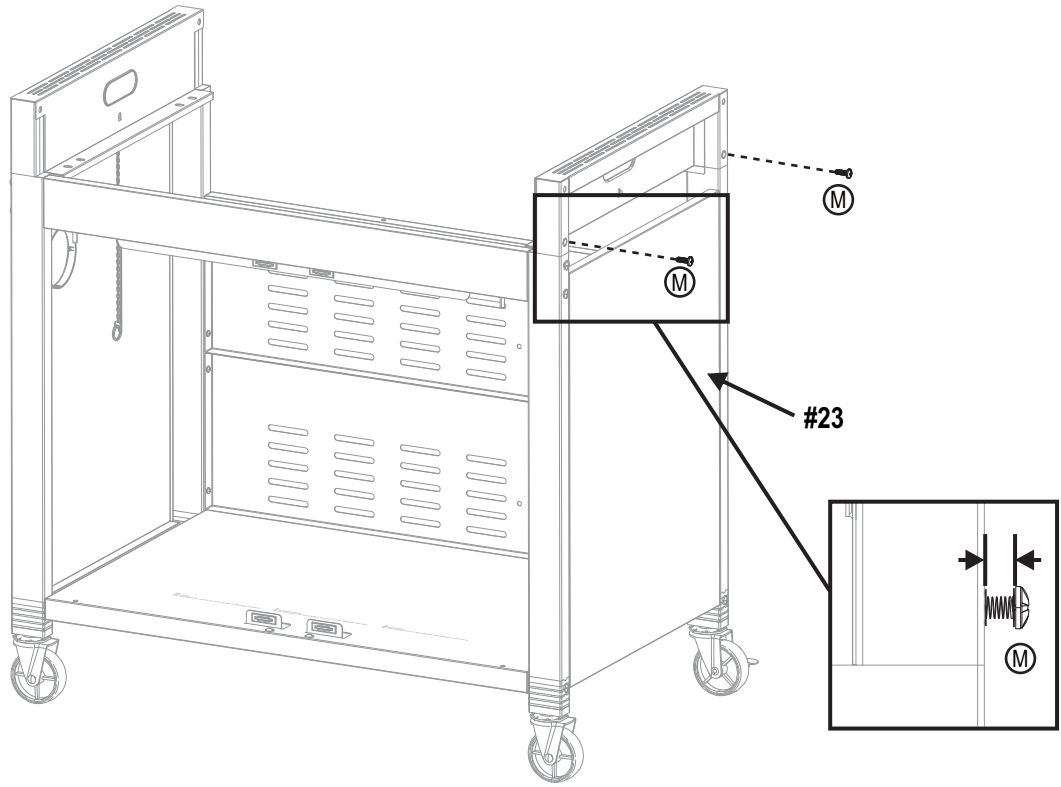
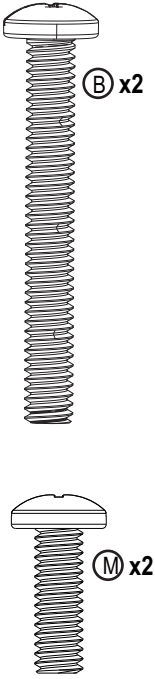
3



4



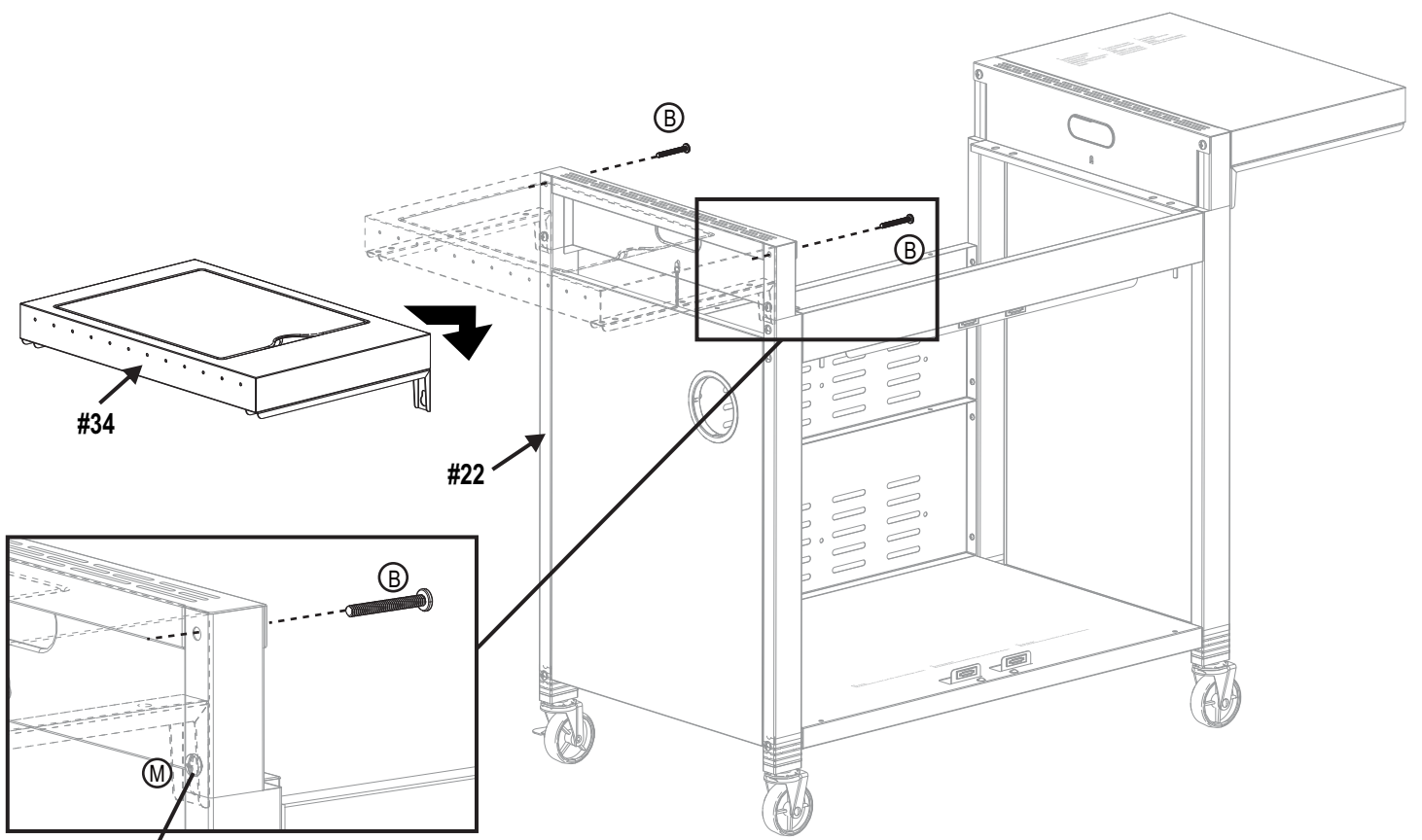
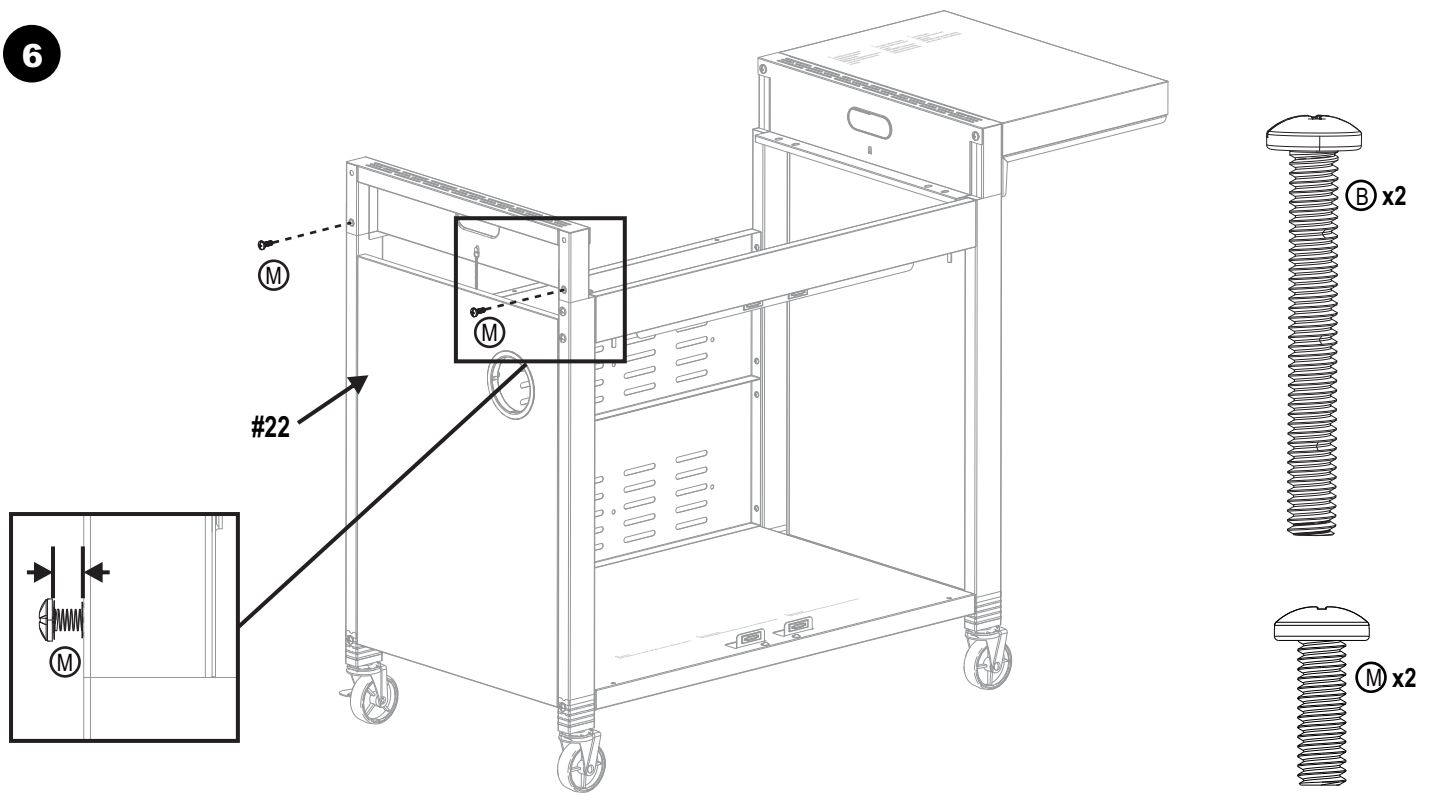
5



Tighten the screws

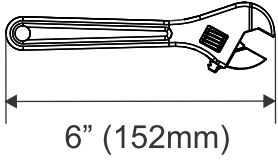


**6**



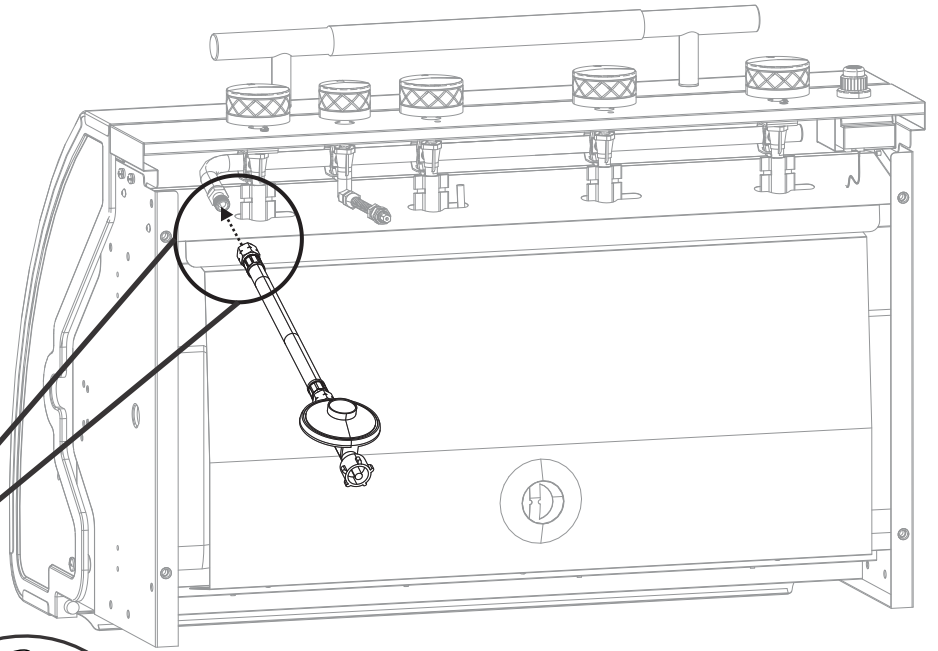
Tighten the screws

**7** For Model 468101115

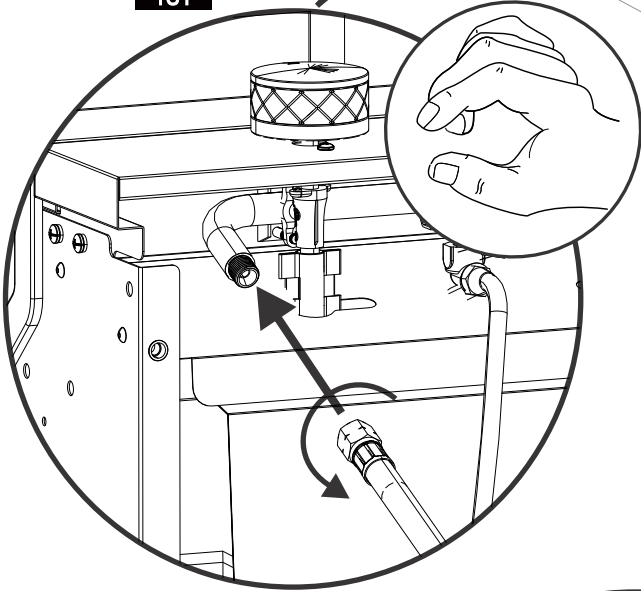


6" (152mm)

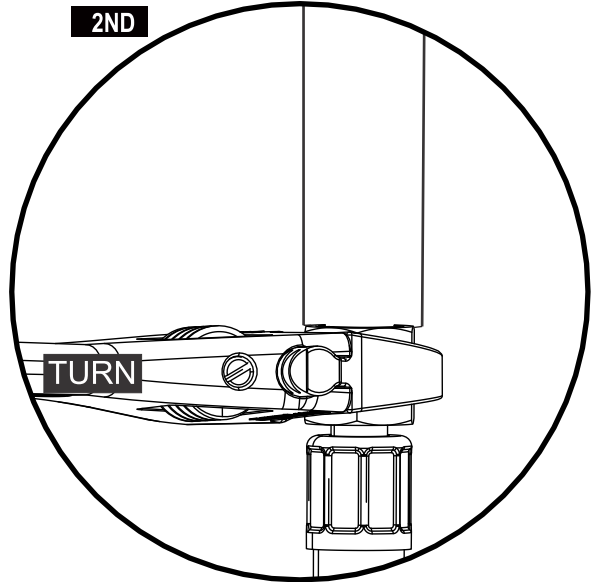
X1



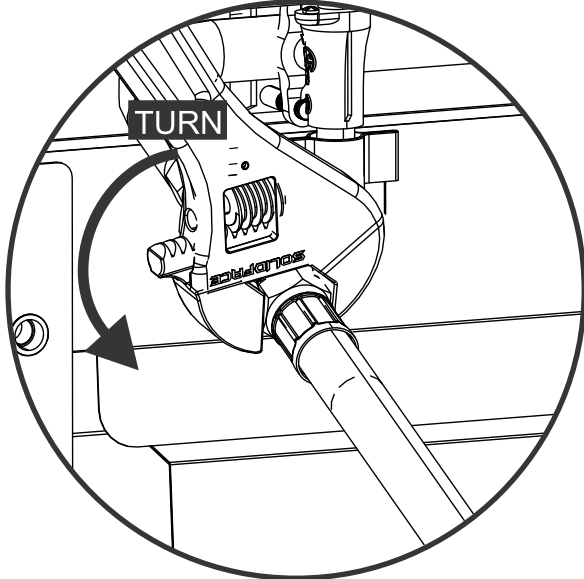
1ST



2ND

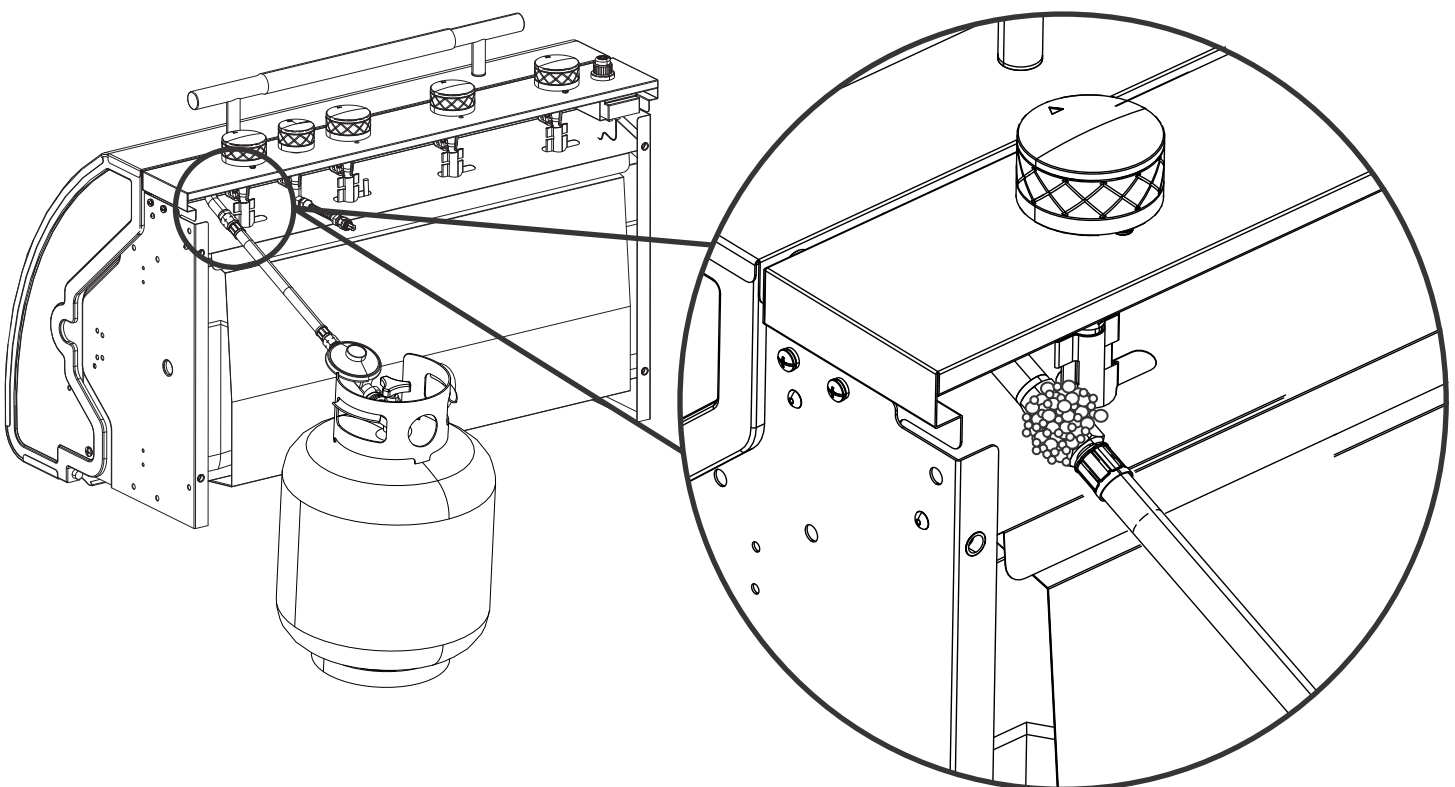
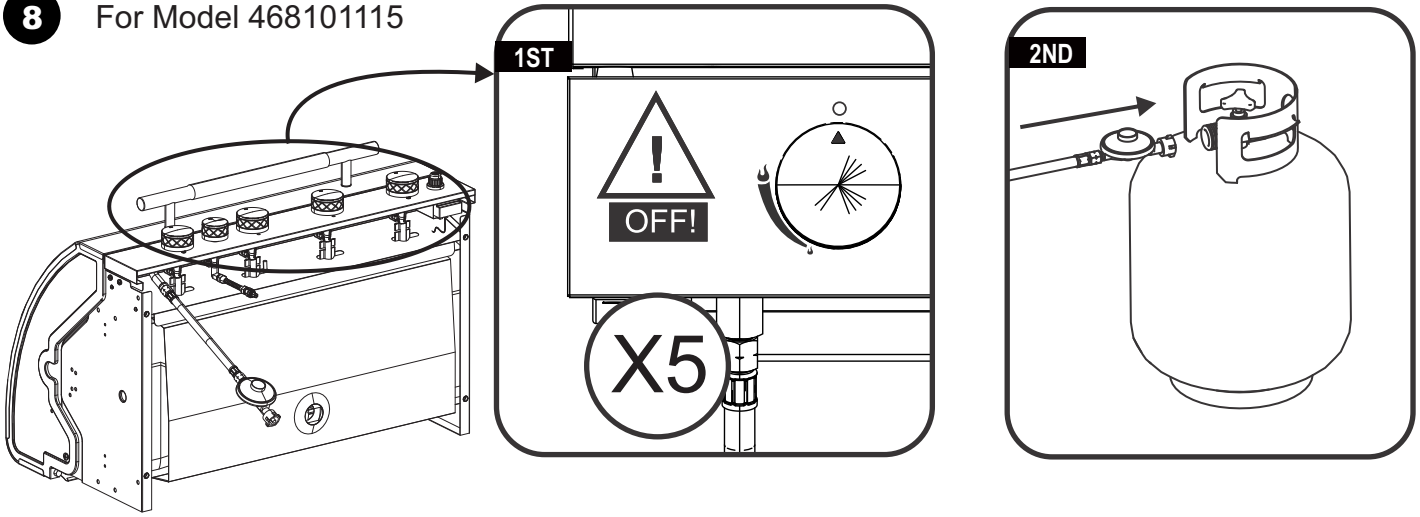


3RD

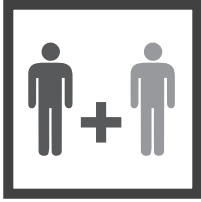


**TIGHTEN  
SECURELY!**

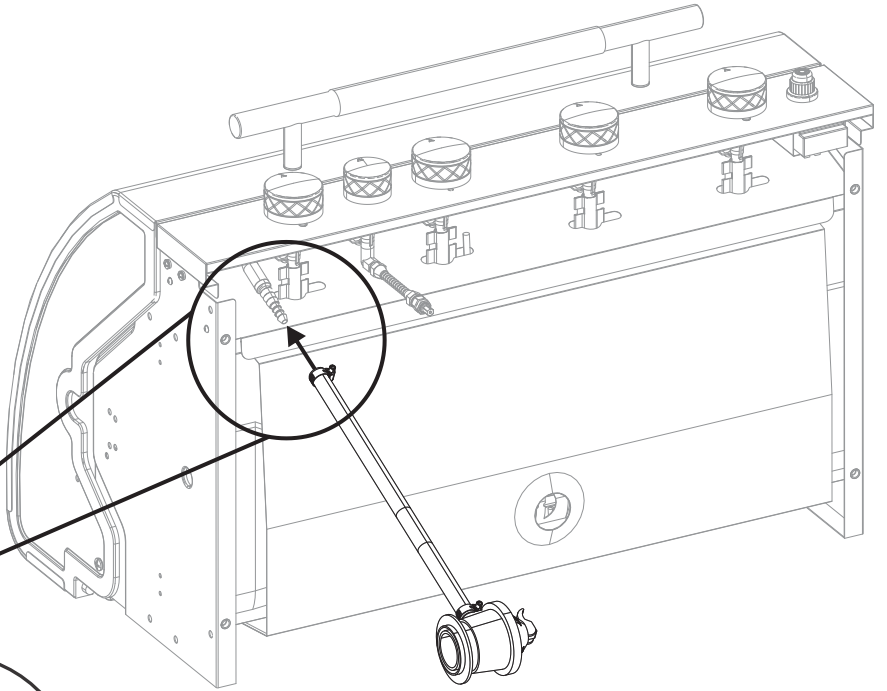
**8** For Model 468101115



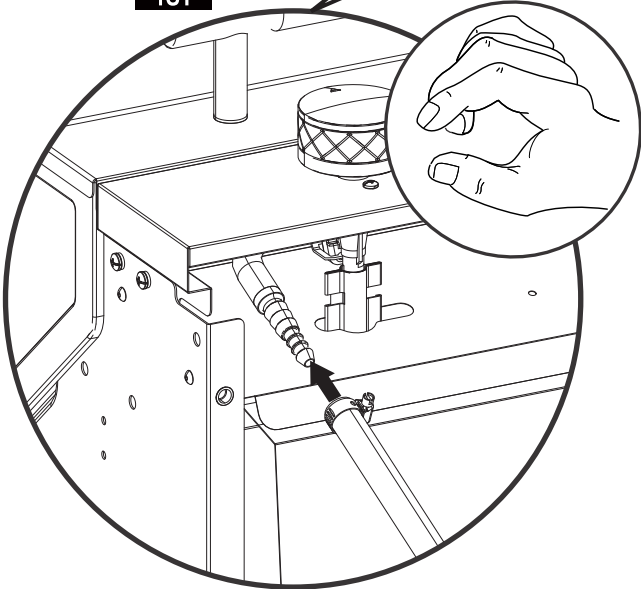
**7** For Model 468201115



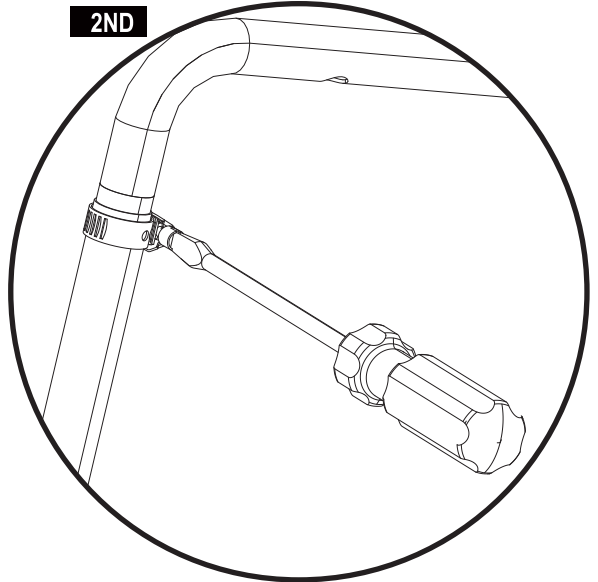
X1



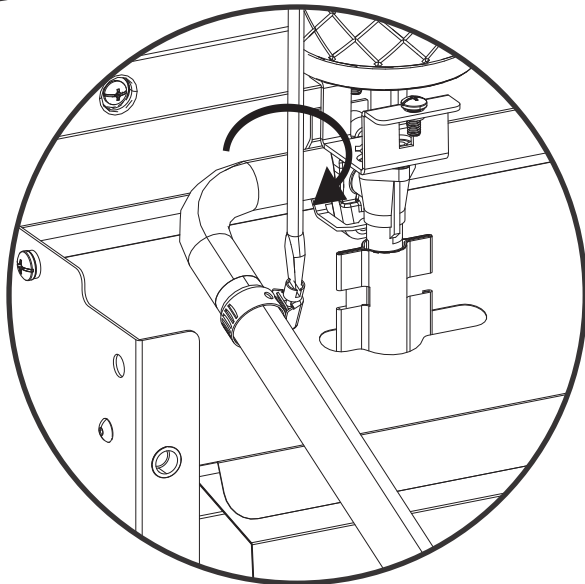
1ST



2ND



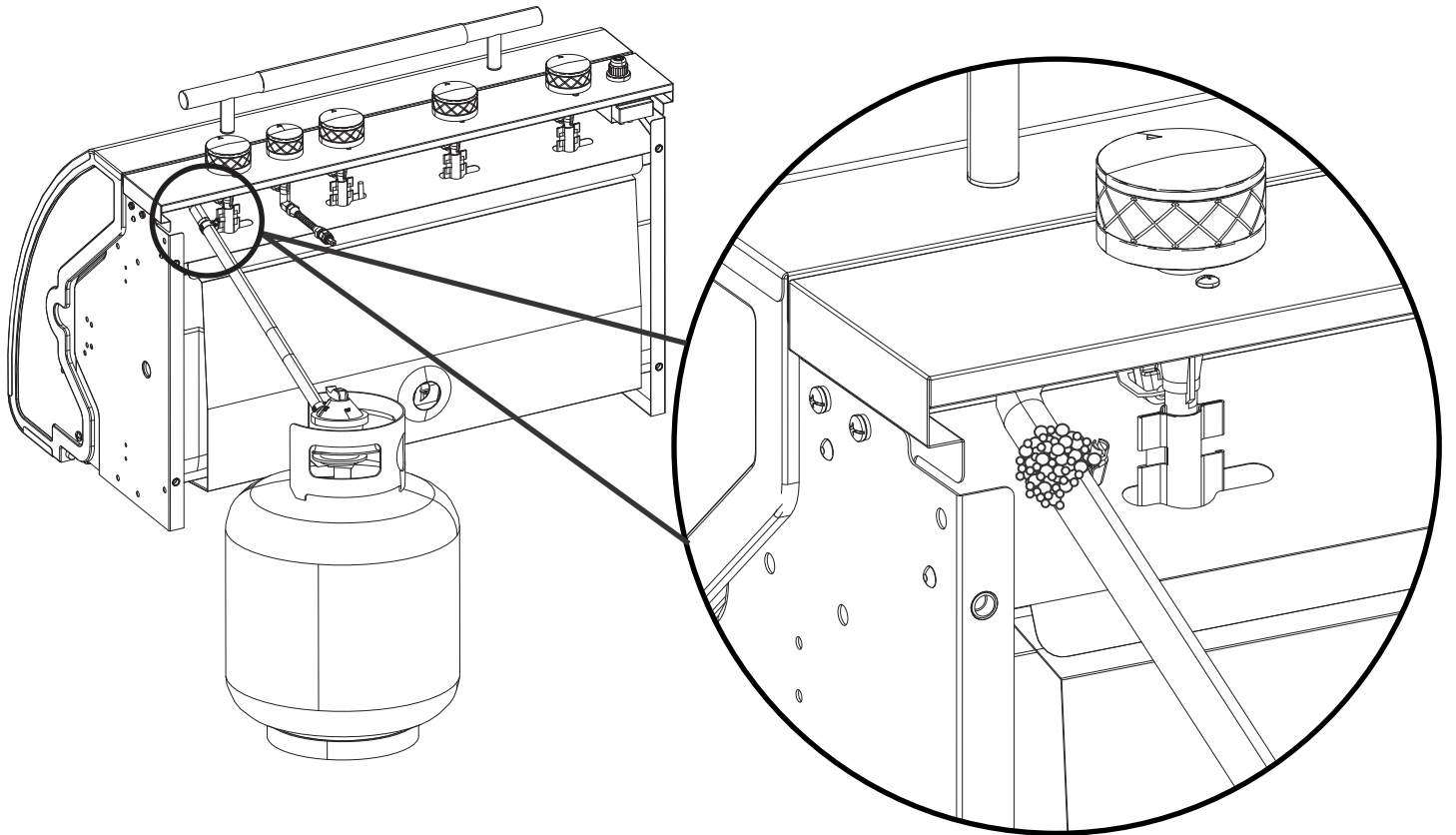
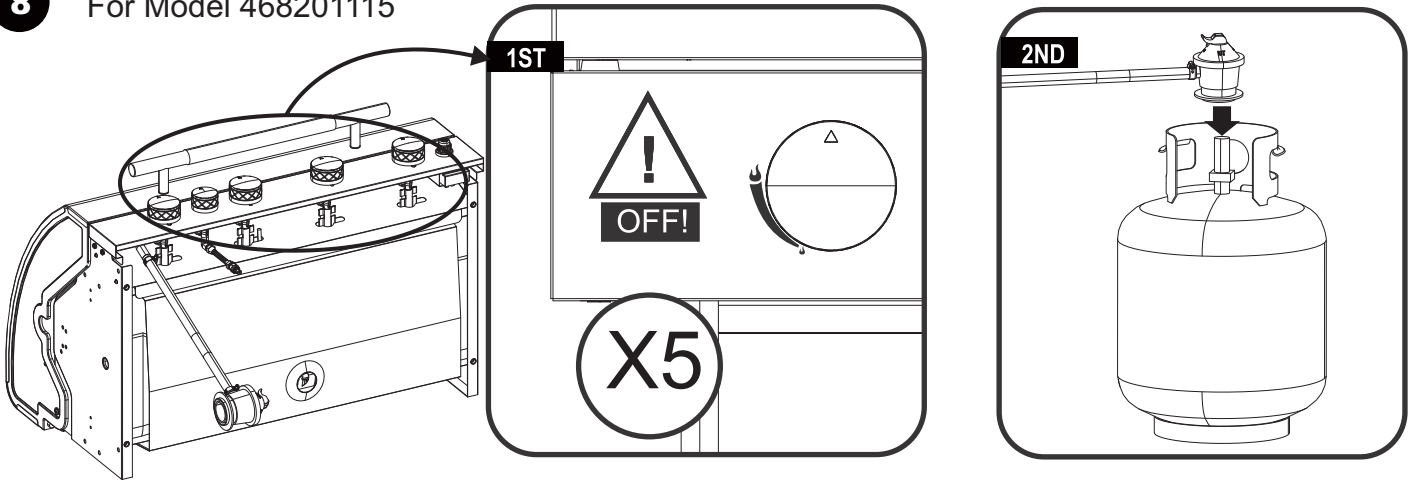
3RD



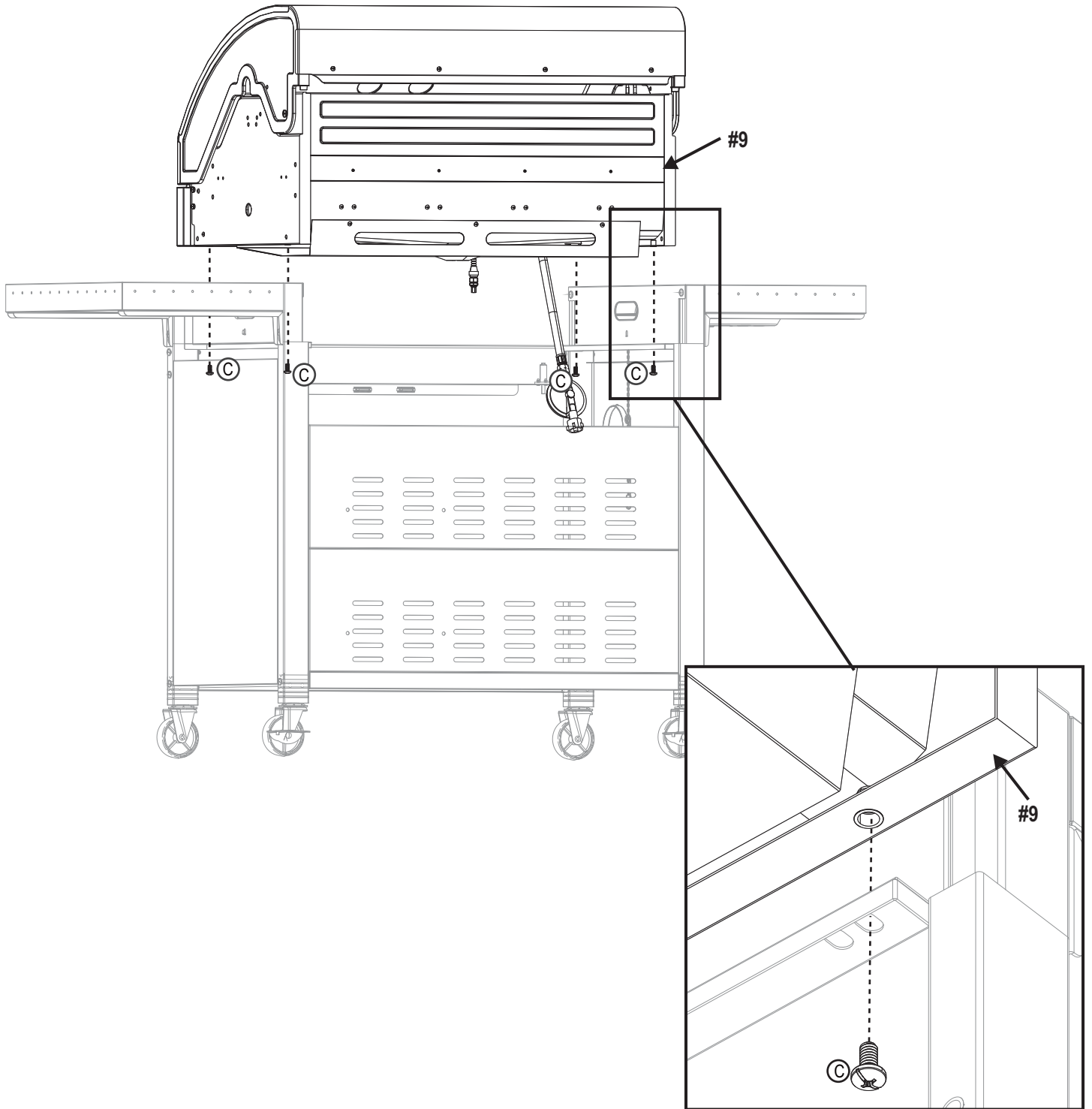
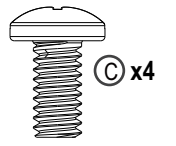
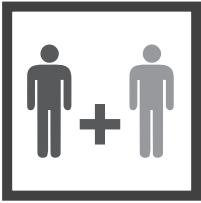
**TIGHTEN  
SECURELY!**



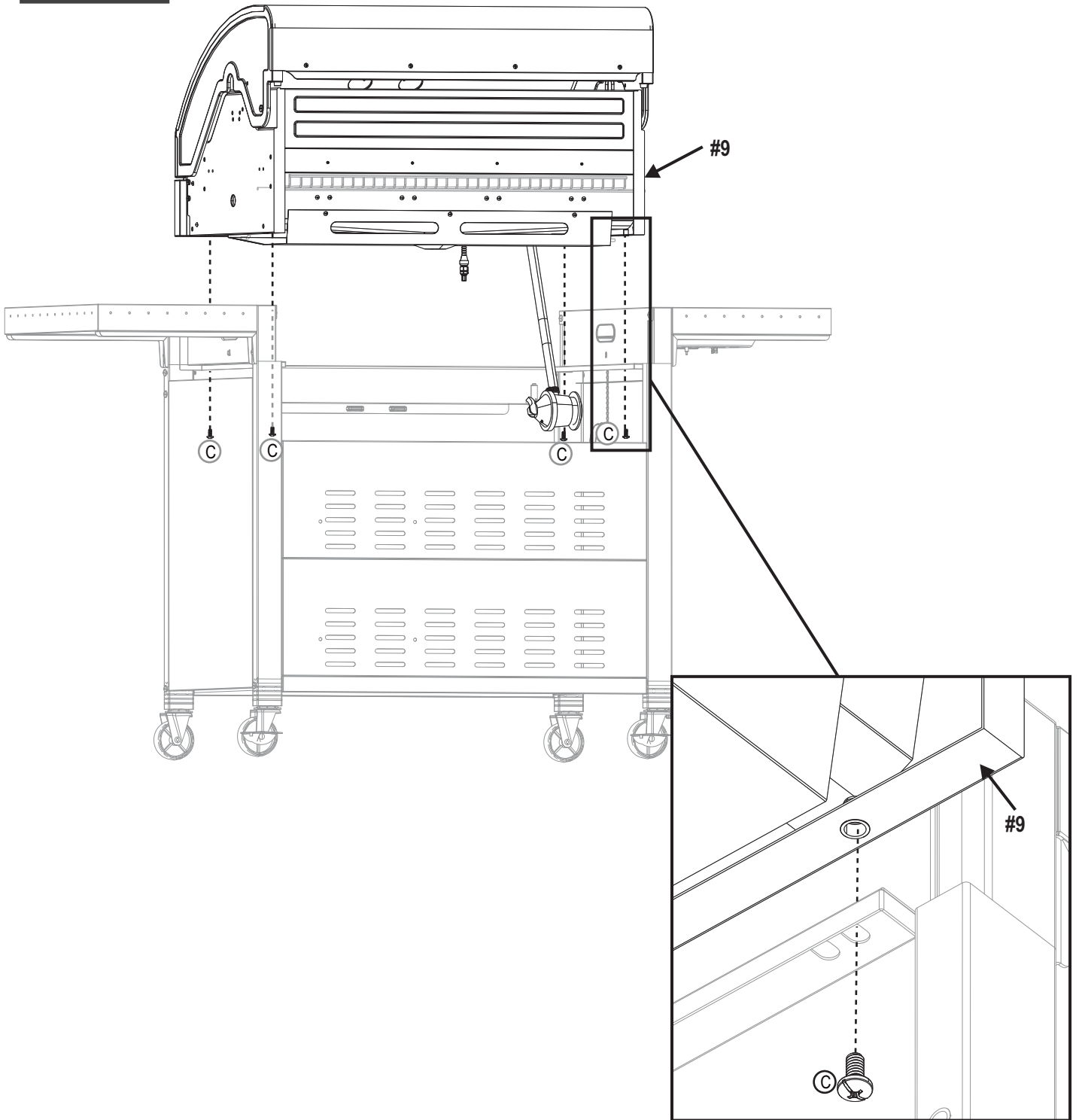
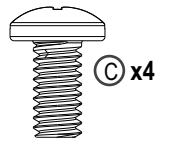
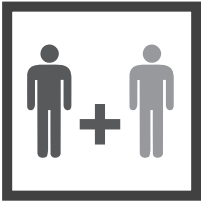
**8** For Model 468201115



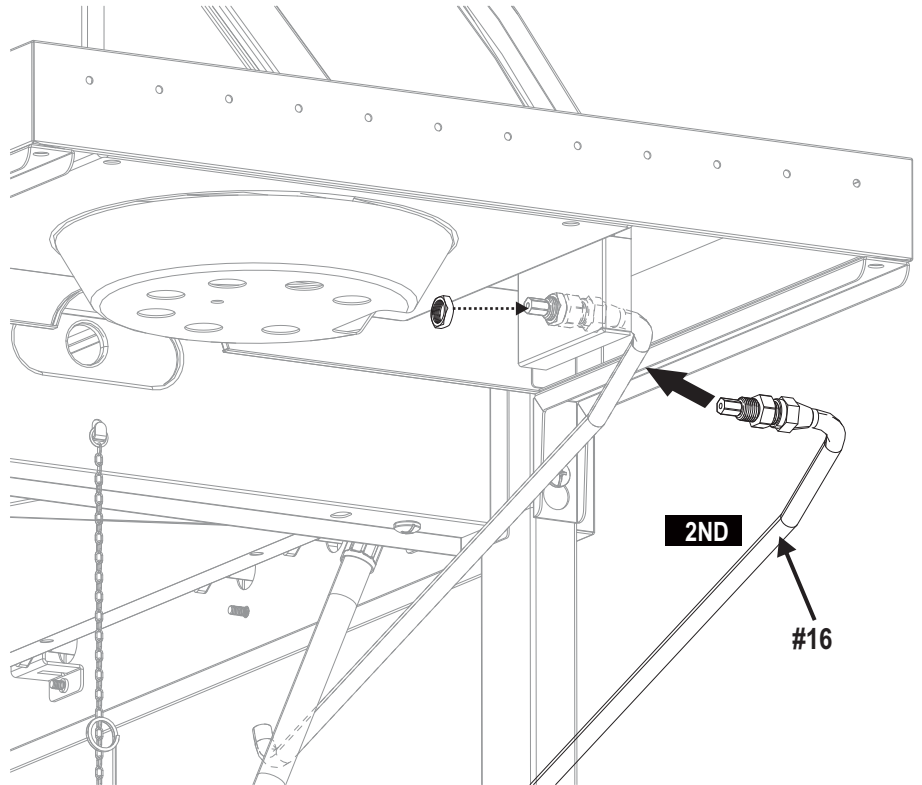
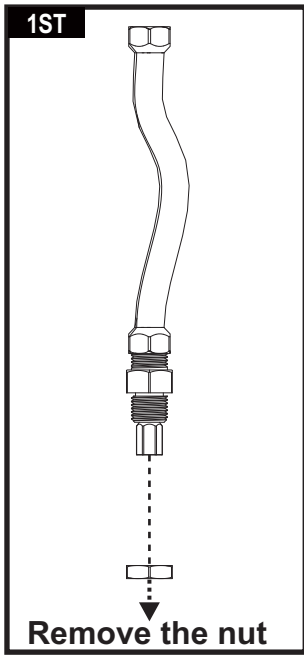
**9** For Model 468101115



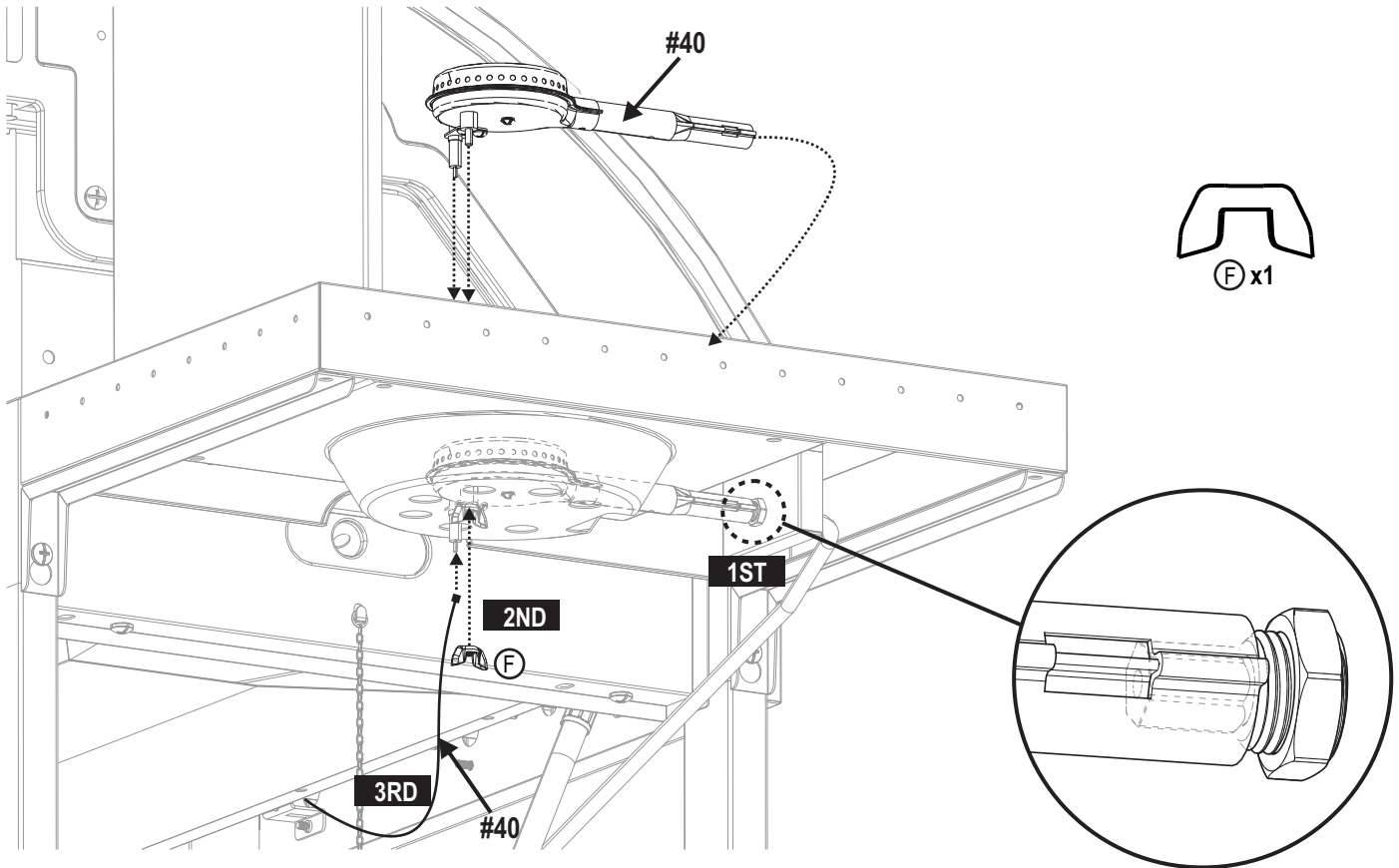
**9** For Model 468201115



10

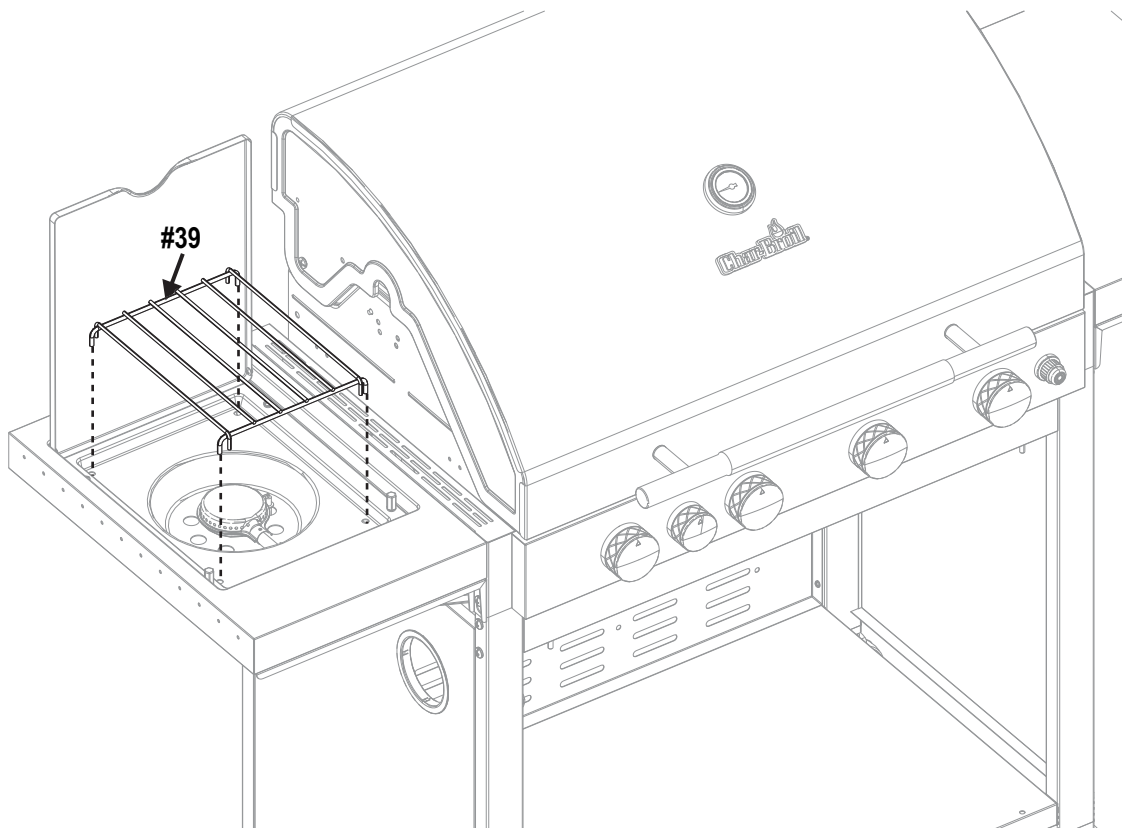


11

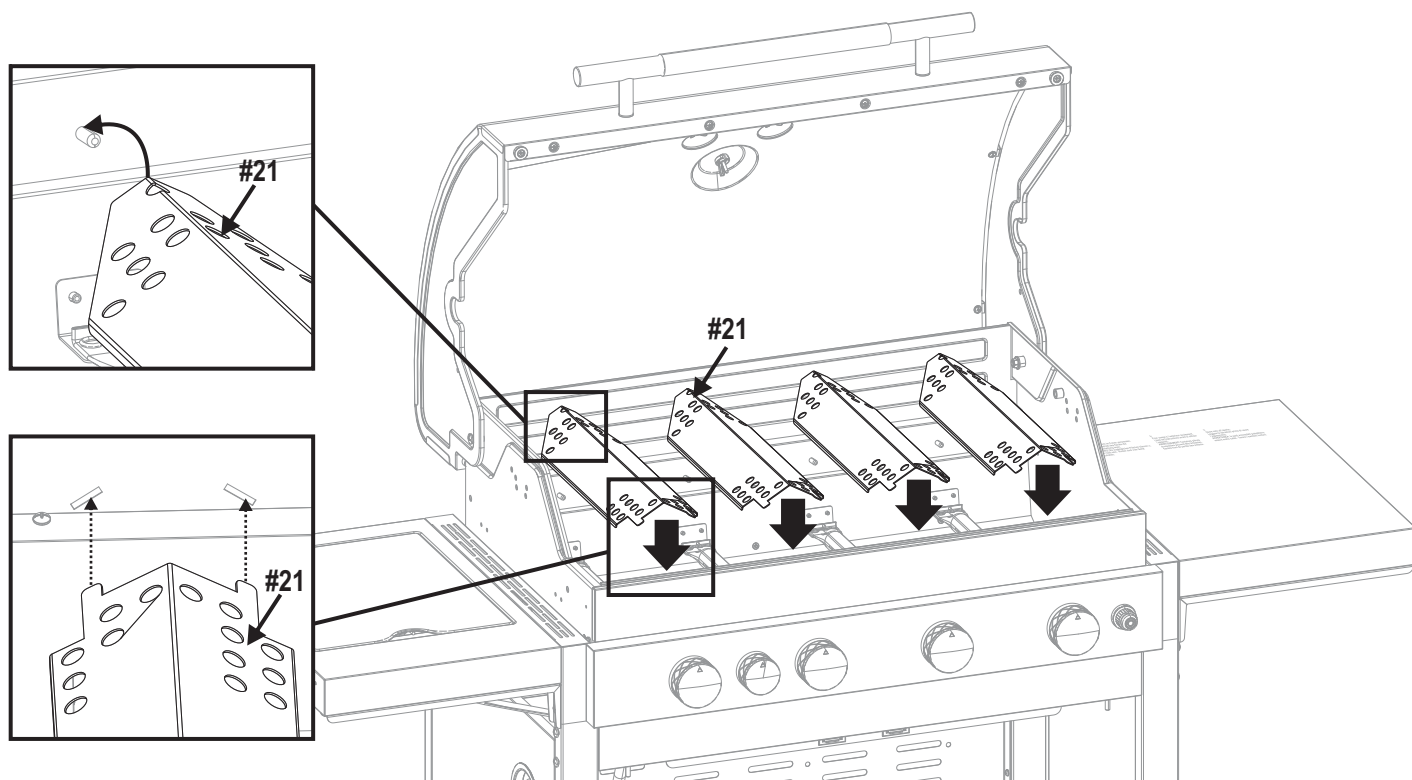




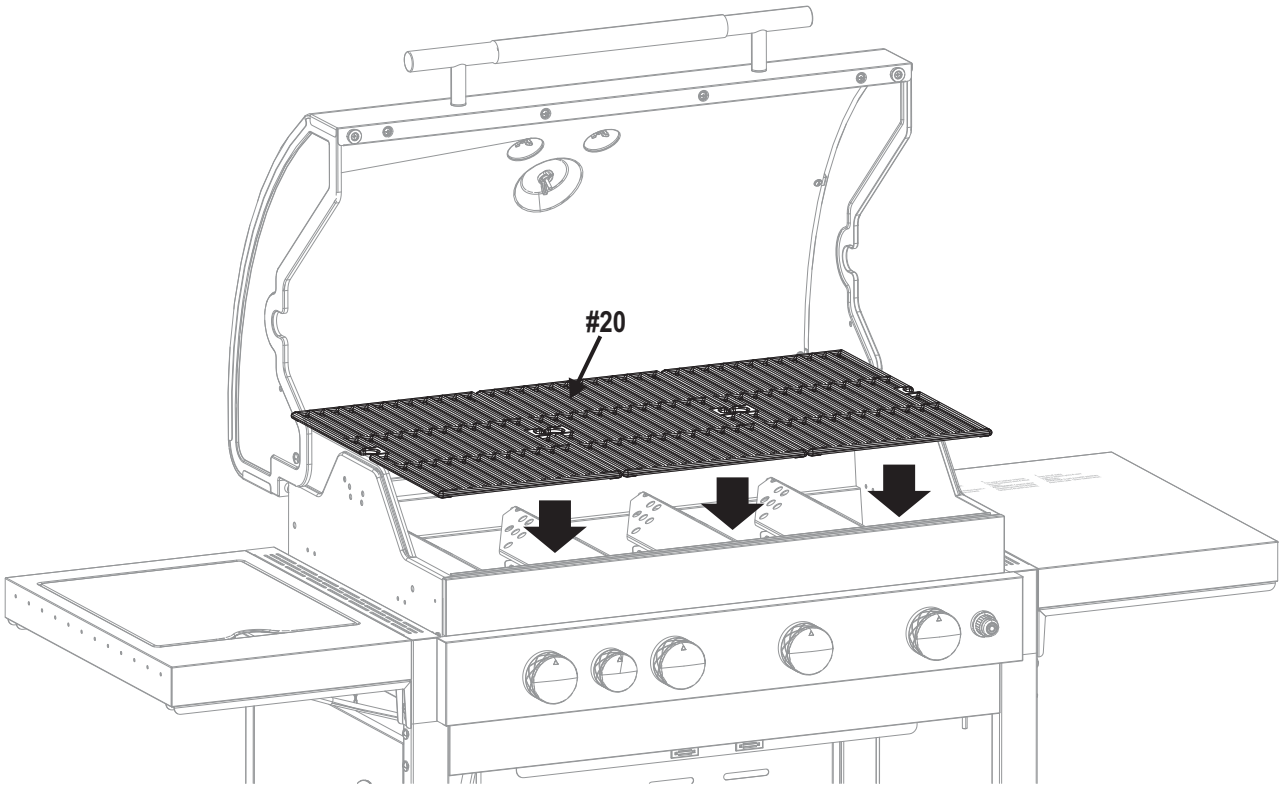
12



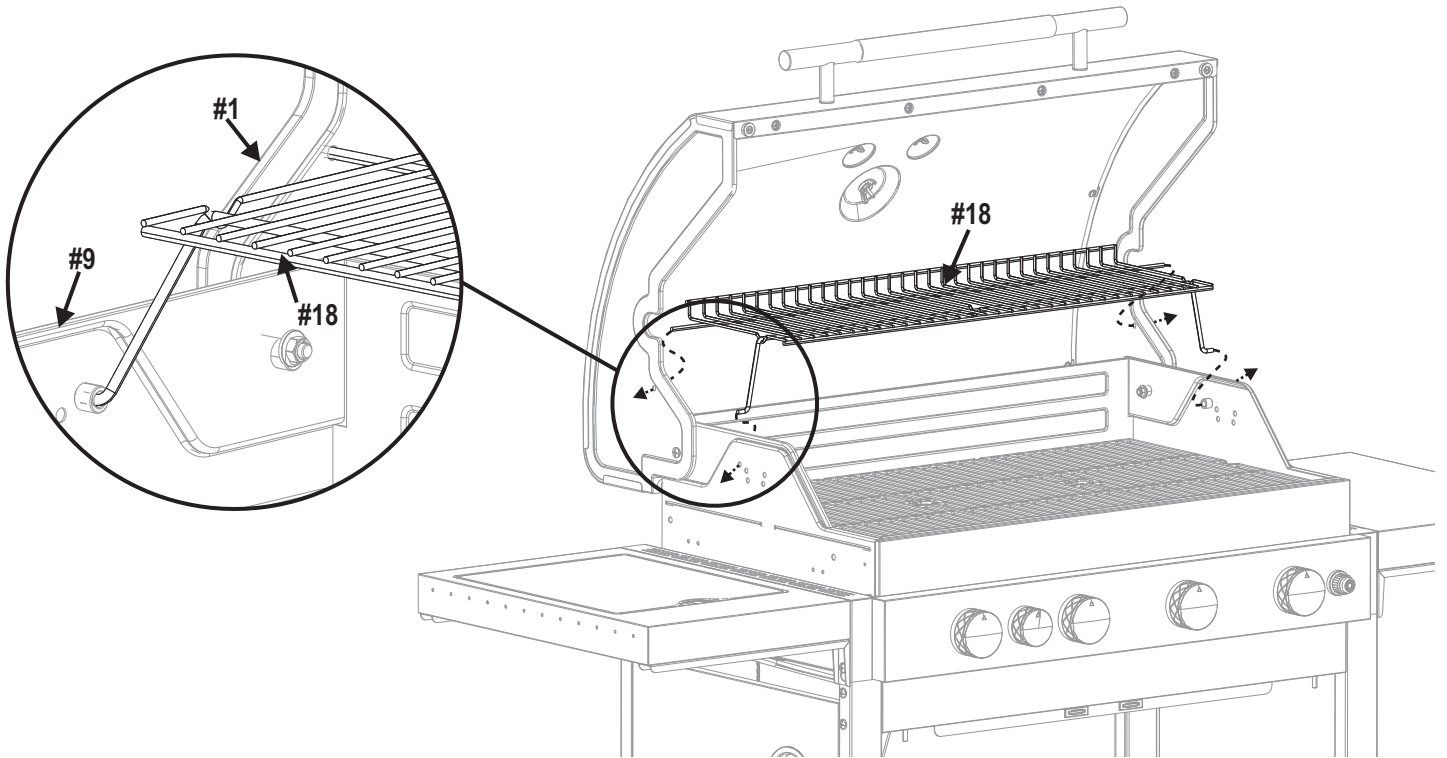
13



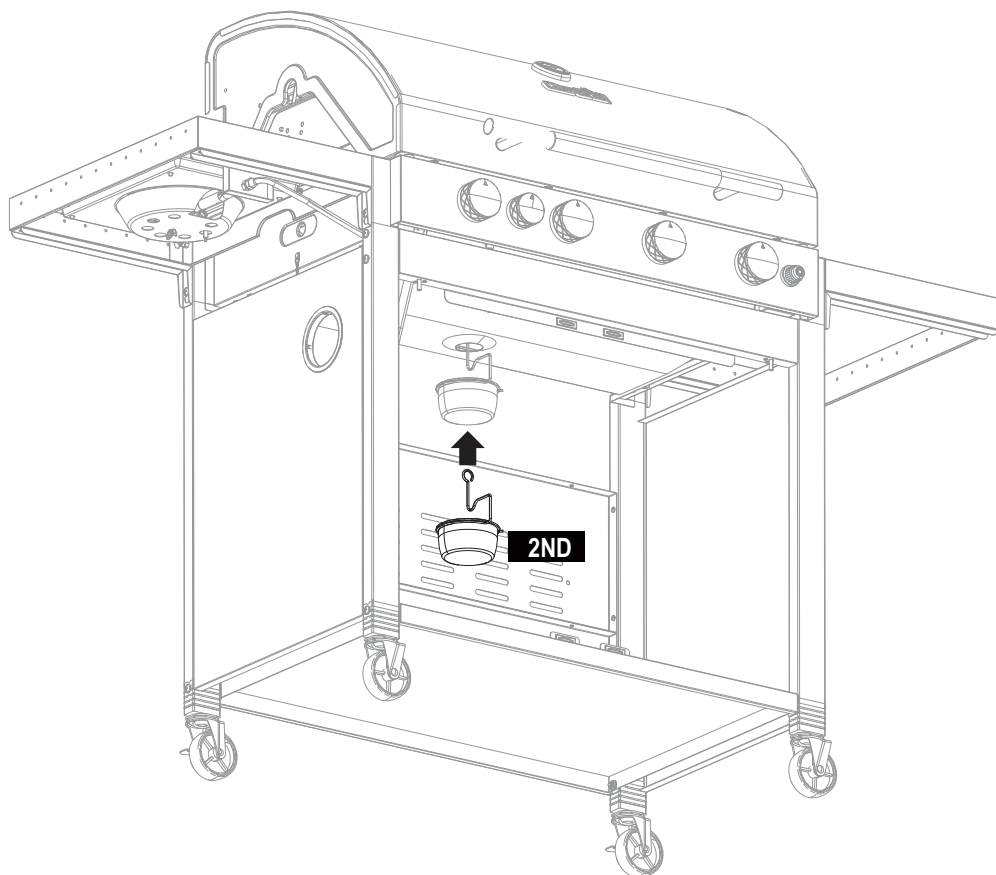
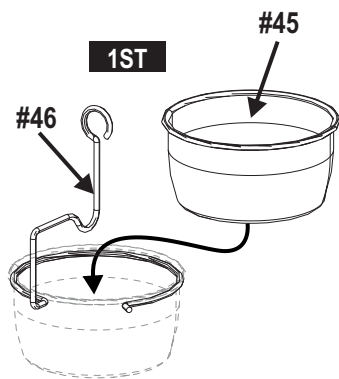
14



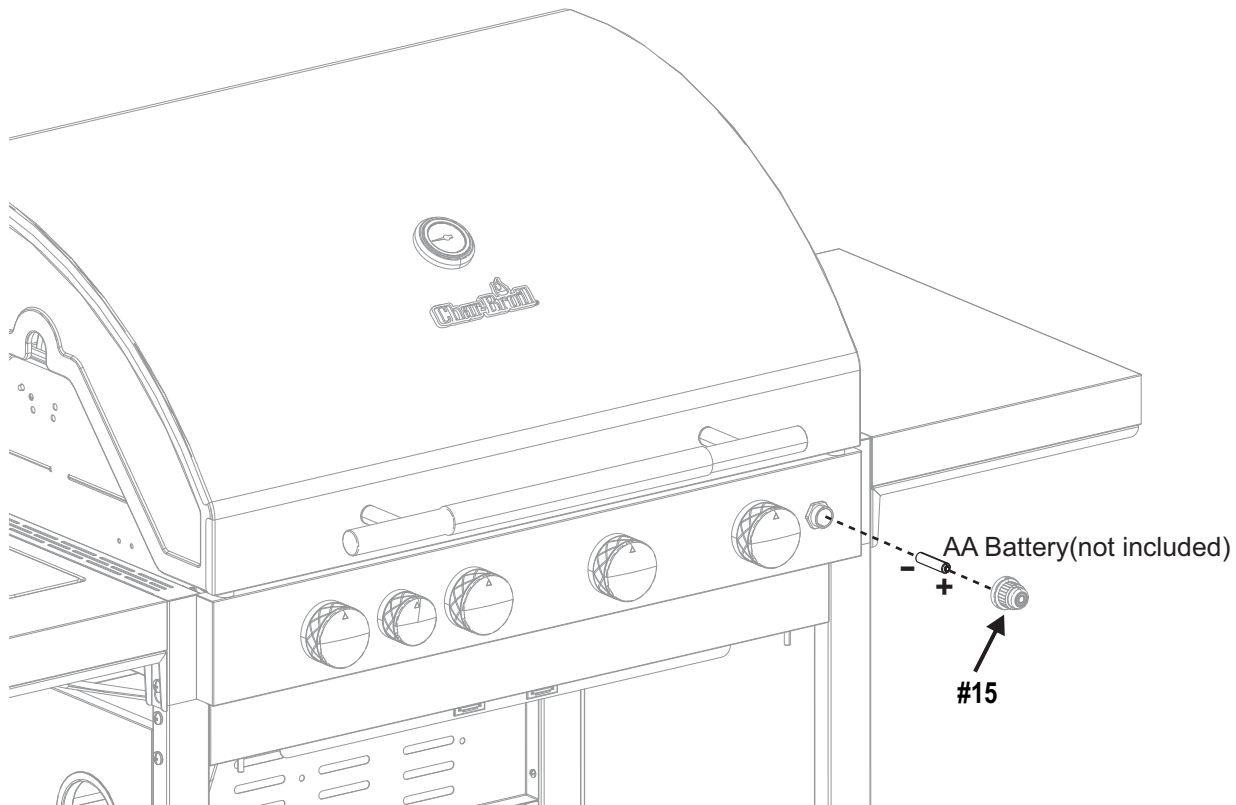
15



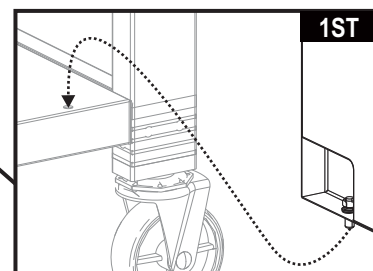
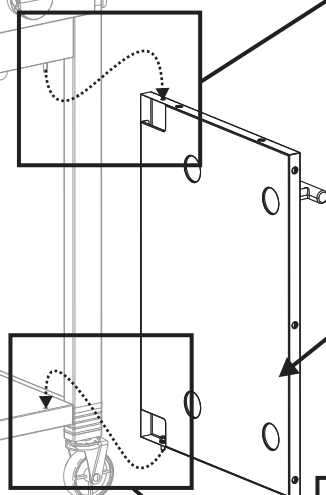
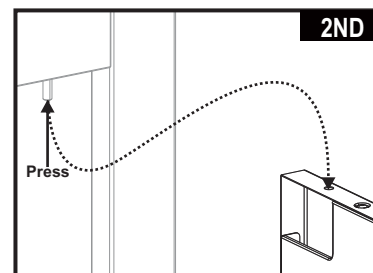
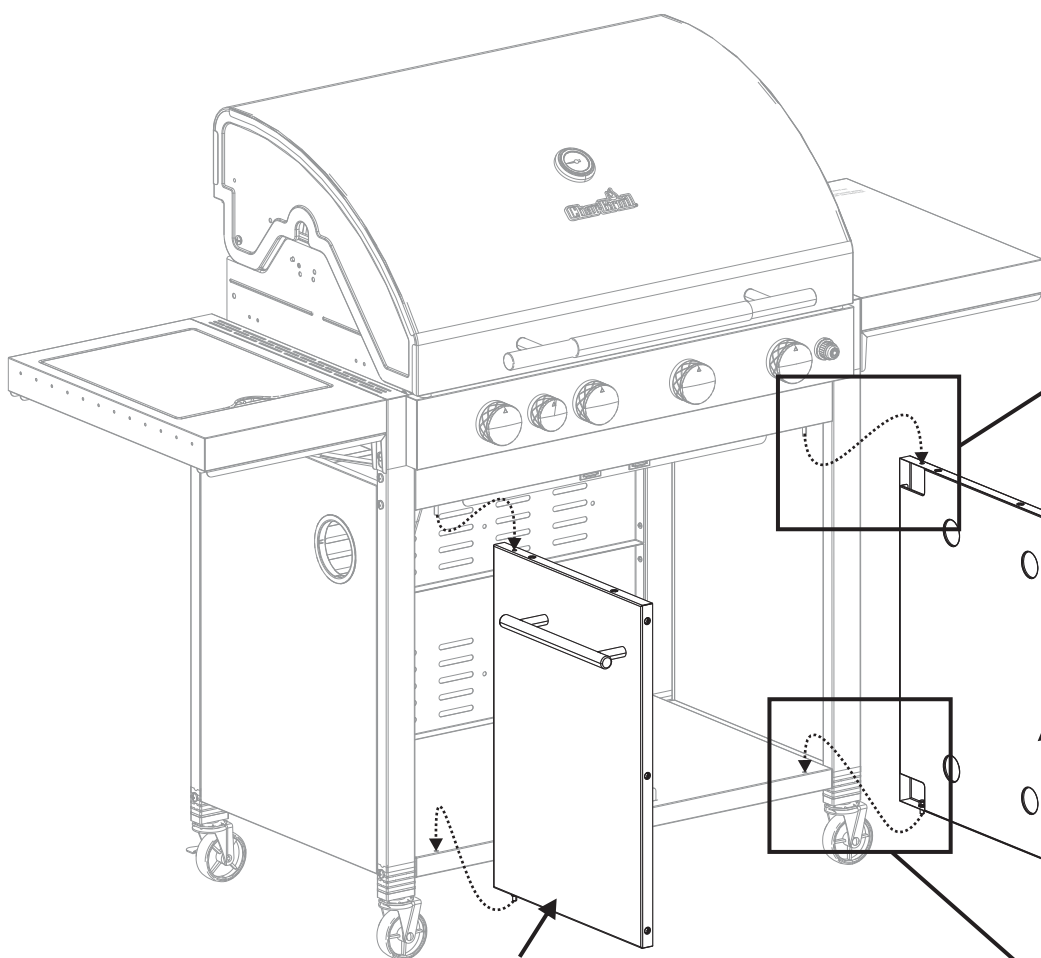
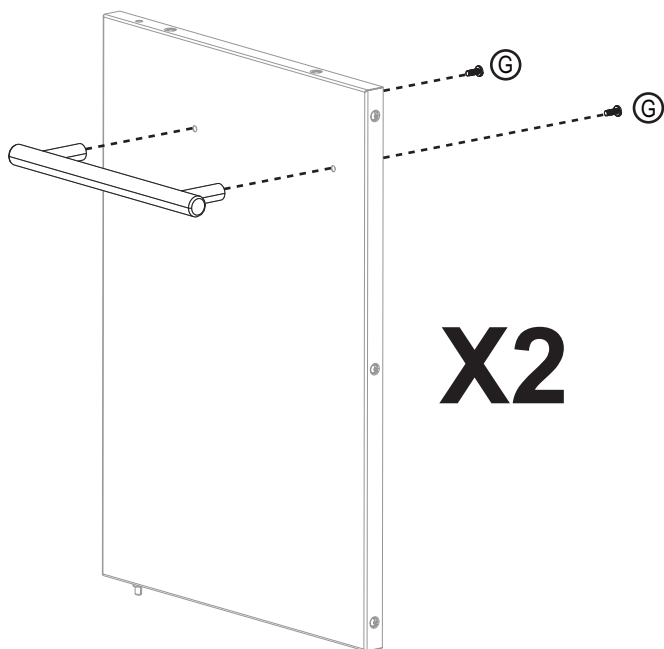
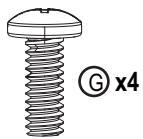
16



17

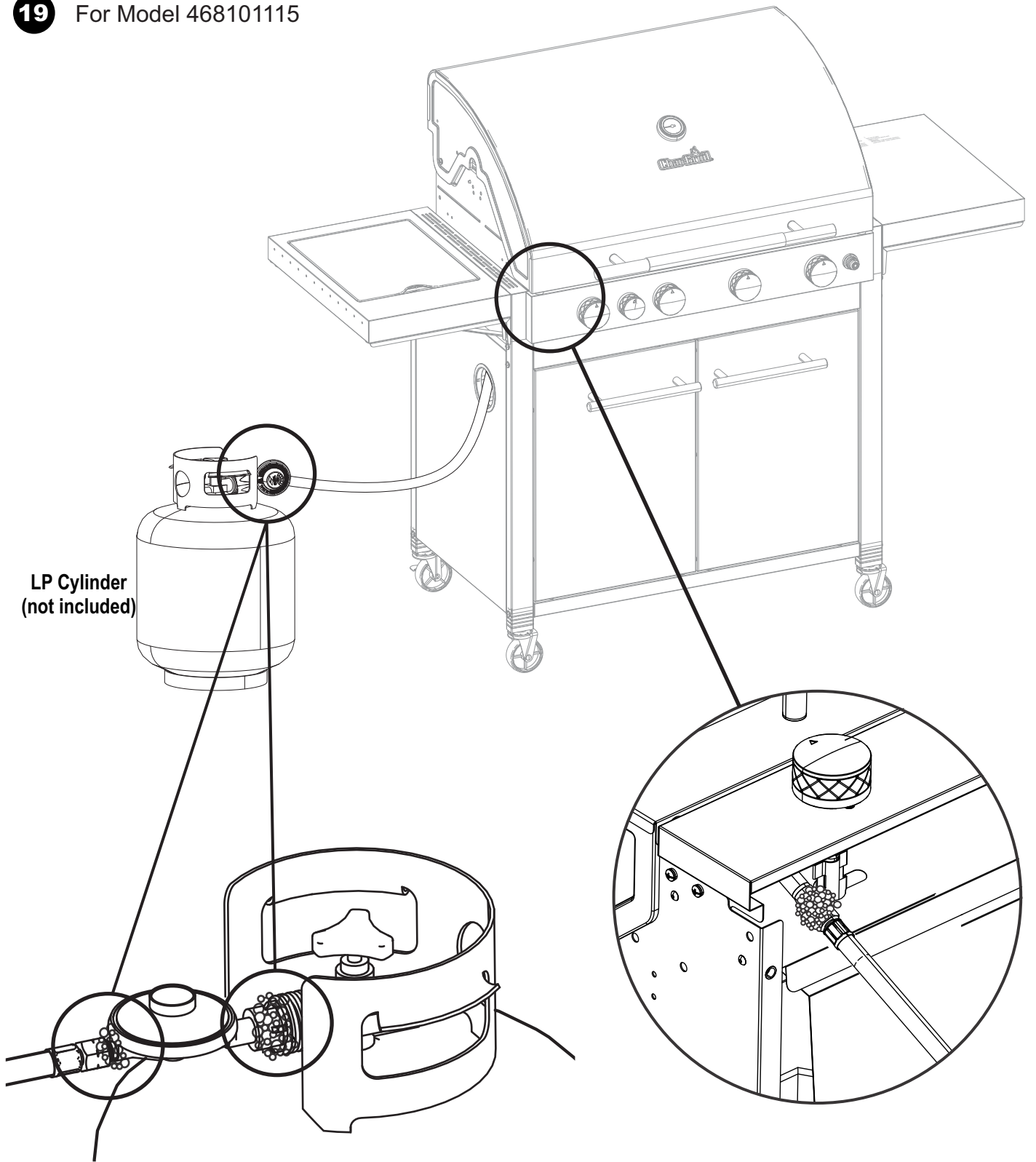


18



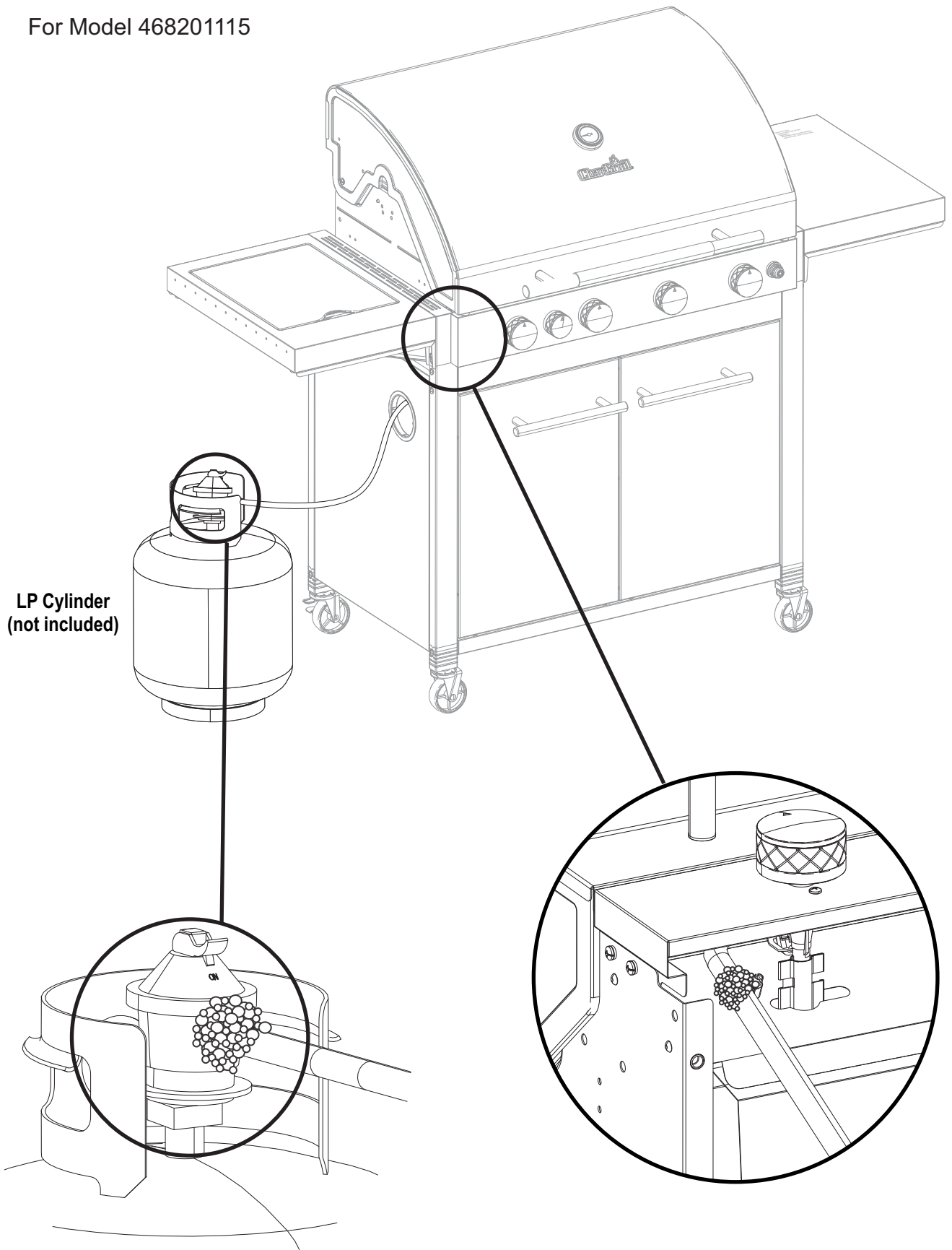


**19** For Model 468101115



19

For Model 468201115



- en Leak test before first use, at least once a year, and every time the cylinder is changed or disconnected.
- fr Effectuez un test de fuite avant la première utilisation, au moins une fois par an, et chaque fois que la bonbonne est changée ou déconnectée.
- de Führen Sie eine Überprüfung auf Gasaustritten mindestens einmal im Jahr und jedes Mal, wenn der Gasbehälter gewechselt oder abgetrennt wurde, durch.
- it Eseguire una prova di tenuta prima del primo utilizzo, almeno una volta l'anno. Inoltre, eseguire una prova di tenuta ogni volta che il cilindro viene cambiato o scollegato.
- nl Lektest voor eerste gebruik, minstens een keer per jaar, en elke keer als de gasfles verwisseld of losgekoppeld is.
- sv Testa efter läckage före den första användningen, minst en gång per år, och varje gång cylindern byts ut eller kopplas bort.
- fi Vuototesti ennen ensimmäistä käyttöä, mutta vähintään kerran vuodessa, ja joka kerta kun sylinteri vaihdetaan tai sen kytkentä irrotetaan.
- es Realice una prueba de fugas al menos una vez al año o cada vez que se cambie o se desconecte el cilindro.
- pt Faça um teste para verificar se não há vazamentos pelo menos uma vez por ano e sempre que o cilindro for trocado ou desconectado.
- da Tæthedsprøvning af ventiler, slanger og regulator skal ske før første ibrugtagning, mindst en gang om året, og hver gang gasflasken er enten skiftet eller afbrudt.
- no Framkvæmið lekaprófun fyrir fyrstu notkun, að minnsta kosti árlega, og í hvert sinn sem skipt er um hylki eða það er aftengt.
- sk Test tesnosti uskutočnite pred prvým použitím, raz za rok a pri každej výmene alebo odpojení fľaše.
- is Framkvæmið lekaprófun fyrir fyrstu notkun, að minnsta kosti árlega, og í hvert sinn sem skipt er um hylki eða það er aftengt.
- ro Testați scurgerile înainte de prima utilizare, cel puțin o dată pe an și de fiecare dată când se schimbă sau se deconectează bateria.
- cs Proved'te zkoušku těsnosti před prvním použitím, minimálně jednou za rok a při každé výměně nebo odpojení zásobníku.
- pl Test szczelności należy przeprowadzać przynajmniej raz w roku oraz po każdej zmianie lub odłączeniu butli.
- he בצע בדיקת דליפות לפני ההפעלה בפעם הראשונה, לפחות פעם בשנה ובכל החלפה או ניתוק של מכל הגז



(IE) (GB) NOTE: This information is a guide only. Items included in your BBQ specification may differ depending on region or specific dealer specification.

(BE) (CH) (FR) NOTE: Ces renseignements sont donnés à titre indicatif. Il est possible que les articles inclus dans les spécifications de votre barbecue diffèrent selon la région ou les caractéristiques stipulées par le concessionnaire.

(AT) (CH) (DE) ANMERKUNG: Diese Anleitung dient nur zu Informationszwecken. Einzelteile der Grillspezifikation sind unter Umständen verschieden entsprechend der Vertriebsregion oder bestimmten Händleranforderungen.

(CH) (IT) AVVERTENZA: Queste informazioni hanno il valore di guida soltanto. Gli articoli compresi nelle caratteristiche tecniche del barbecue potrebbero variare a seconda della regione o del concessionario.

(LU) (BE) (NL) ATTENTIE: Deze informatie is alleen bedoeld als gids. Onderdelen in uw BBQ specificatie en pakket kunnen per regio of per dealer verschillen.

(SE) ANM.: Denna information är endast avsedd som handledning. Specifikationerna för grillen kan variera regionalt eller beroende på de var som olika återförsäljare har.

(FL) HUOMATKAA: Nämä tiedot ovat pelkästään suuntaa antavia. ostamanne grillin yksityiskohdat voivat olla erilaiset paikkakunnan tai erityisten myykohtaisten yksityiskohtien mukaan.

(ES) NOTA: Esta información es una guía únicamente. Es posible que las indicaciones incluidas en las especificaciones de su Asador sean diferentes según la región o las especificaciones específicas del representante.

(PT) NOTA: Esta informação é simplesmente um guia. Os itens incluídos na especificação do seu BBQ poderão diferir dependendo da especificação da região ou do vendedor específico.

(DK) NB.: Denne information er kun vejledende. Specifikationer kan variere efter ønske fra forhandler, eller i henhold til nationale regler.

(NO) NB.: Denne informasjon er kun veiledende. Spesifikasjoner kan variere som stipulert av forhandler, eller i henhold til nasjonale krav.

(SK) POZNÁMKA: Tieto informácie slúžia len ako pomôcka. Údaje uvedené v technických údajoch vášho grilu sa môžu líšiť podľa regiónu alebo špecifických technických údajov stanovených predajcom.

(IS) ATHUGIÐ: Þessar upplýsingar eru aðeins leiðbeinandi. Hlutir sem finna má í lýsingu á grilli þínu geta verið mismunandi á milli svæða eða söluaðila.

(RO) NOTĂ: Prezenta informație este numai un ghid. Articolele incluse în specificația BBQ-ului dumneavoastră pot diferi în funcție de zona și specificul distribuitorului.

(CZ) POZNÁMKA: Tyto informace slouží pouze jako instruktaž. Součásti vašeho BBQ. Specifikace se mohou lišit podle regionu/země nebo specifických údajů prodejce.

UWAGA: Informacje te służą jedynie, jako wskazówki. Elementy wchodzące w skład specyfikacji twojego grilla mogą się różnić w zależności od regionu lub szczególnych specyfikacji dealera.

(IL) הערה: מידע זה נועד לייחוס בלבד. הפריטים הכלולים במפרט של מכשיר הגריל שברשותך עשויים להשתנות בהתאם לאזור או לדרישות של מפיץ מסוים.

All specifications are subject to change without notice.

Toutes les caractéristiques sont susceptibles d'être modifiées sans préavis.

Änderungen ohne vorherige Bekanntgabe vorbehalten.

Tutti i dati tecnici possono cambiare senza preavviso.

Alle specificaties kunnen zonder voorafgaande kennisgeving worden gewijzigd.

Kaikki oikeudet teknisten tietojen muutoksiin pidätetään.

Kaikki yksityiskohdat voivat muuttua ilman etta niistä erikseen ilmoitetaan.

Todas las especificaciones estan sujetas a cambios sin previo aviso.

Todas as especificações estão sujeitas a alteração sem aviso.

Alle specifikationer kan ændres foruden varsel.

Spesifikasjoner kan endres utenvarsel.

Všetky špecifikácie sa môžu zmeniť bez upozornenia.

Allar lýsingar eru háðar breytingum án viðvörunar.

Toate specificațiile sunt supuse modificărilor fără notificare.

Všechny informace mohou být změněny bez předchozího upozornění.

Wszystkie specyfikacje mogą ulec zmianie bez uprzedzenia.

כל המפרטים כפופים לשינויים ללא הודעה.

#### Manufacturer

Kriswell A/S  
10C, Laurbjerg  
DK - 8870 Langaa  
Tel. +45 87 73 60 00  
info@dancook.dk

© 2014 Char-Broil, LLC  
Columbus, GA 31902, U.S.A.  
charbroil.de

